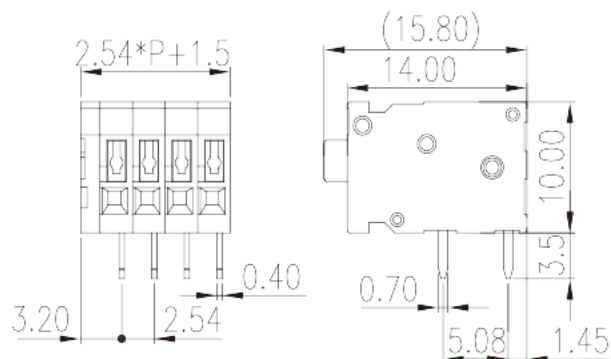
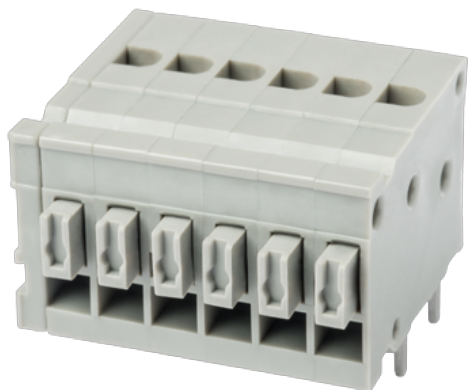


0138-11XX

PCB > PCB

:2026-07-05 :V1



Pitch : 2.54mm, 150V, 5A

PCB Terminal Blocks, Push-in Design	
PCB Terminal Blocks	
(mm)	2.54
	Grey (default)
	Push in design
	Without
	Wave soldering
(mm)	$2.54 * (P-1) + 4.04$
(mm)	15.8
(mm)	10
(x) (mm)	0.4x0.7
PCB (mm)	1~1.1
()	02P~24P
	Single level
	PA
	I



UL 94	V0
	500M at DC 500V
	COPPER ALLOY
	Tin PLATED

-IEC

(V)	160
(A)	6
(II/2)(V)	320
(III/2)(V)	160
(III/3)(V)	160
(II/2)(KV)	2.5
(III/2)(KV)	2.5
(III/3)(KV)	2.5
(mm ²)	0.2
(mm ²)	0.5
(mm ²)	0.2
(mm ²)	0.5
(mm ²) , ,	0.25
(mm ²) , ,	0.34
(mm ²) , ,	0.25
(mm ²) , ,	0.34
Width)(mm) (Blade thickness x	0.4x2.5
	8~9

-UL

(UL/CUL Group B)(V)	150
(UL/CUL Group B)(A)	5
(UL/CUL Group D)(V)	150
(UL/CUL Group D)(A)	5
UL/CUL AWG	28
UL/CUL AWG	20



UL/CUL	AWG	28
UL/CUL	AWG	20

&

가	(YES or NO)	YES
		120
		-40

UL

(Group B)(AWG)		28~20
(Group B)(V)		150
(Group B)(A)		5
(Group D)(AWG)		28~20
(Group D)(V)		150
(Group D)(A)		5

CUL

(Group B)(AWG)		28~20
(Group B)(V)		150
(Group B)(A)		5
(Group D)(AWG)		28~20
(Group D)(V)		150
(Group D)(A)		5

VDE

(mm ²)		0.2~0.5
(V)		160
(A)		6

