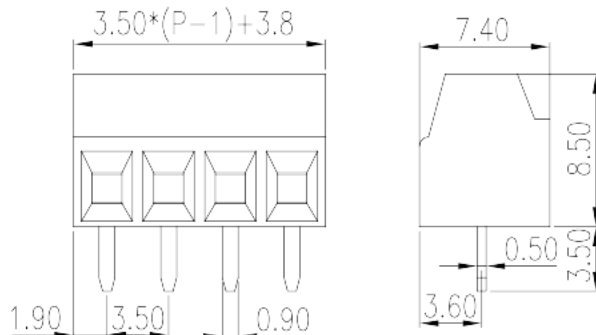


# EK350V-XXP

PCB &gt; PCB

:2026-07-04 :V1



Pitch : 3.50mm, 300V, 10A

		PCB Terminal Blocks, Screw Connection
		PCB Terminal Blocks
(mm)		3.50
		Green (default)
		Screw Connection
		Without
(mm)		$3.50 \times (P-1) + 3.8$
(mm)		7.4
(mm)		8.5
( ) x ( ) (mm)		0.5x0.9
PCB (mm)		1.2~1.3
( )		02P~24P
		Single level
		PA
		I
UL 94		V0



	500M at DC 500V
	COPPER ALLOY
	Tin PLATED

**-IEC**

(V)	160
(A)	12
(II/2)(V)	320
(III/2)(V)	160
(III/3)(V)	160
(II/2)(KV)	2.5
(III/2)(KV)	2.5
(III/3)(KV)	2.5
(mm <sup>2</sup> )	0.14
(mm <sup>2</sup> )	1.5
(mm <sup>2</sup> )	0.14
(mm <sup>2</sup> )	1.5
(mm <sup>2</sup> )	0.5
(mm <sup>2</sup> )	0.75
(mm <sup>2</sup> )	0.5
(mm <sup>2</sup> )	0.75
2 (mm <sup>2</sup> )	0.5
2 (mm <sup>2</sup> )	0.5
	M2
Width)(mm) (Blade thickness x	0.4x2.5
(N.m)	0.2
	5~6

**-UL**

(UL/CUL Group B)(V)	300
(UL/CUL Group B)(A)	10
(UL/CUL Group D)(V)	300



(UL/CUL Group D)(A)		10
UL/CUL	AWG	30
UL/CUL	AWG	16
UL/CUL	AWG	30
UL/CUL	AWG	16

&

가	(YES or NO)	YES
		120
		-40

### UL

(Group B)(AWG)		30~16
(Group B)(V)		300
(Group B)(A)		10
(Group D)(AWG)		30~16
(Group D)(V)		300
(Group D)(A)		10

### CUL

(Group B)(AWG)		30~16
(Group B)(V)		300
(Group B)(A)		10
(Group D)(AWG)		30~16
(Group D)(V)		300
(Group D)(A)		10

### VDE

(mm <sup>2</sup> )		0.14~1.5
(V)		130
(A)		12

--	--	--

