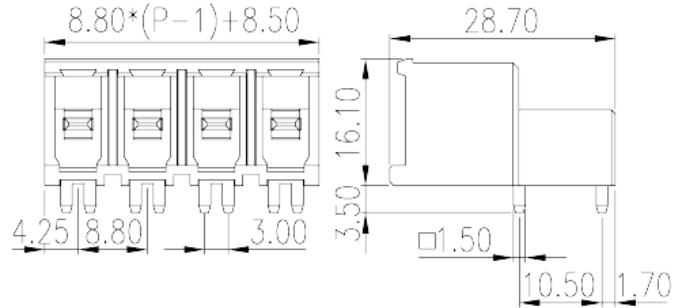
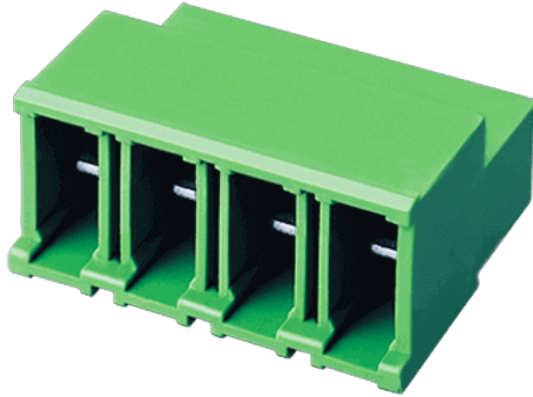


# ECH880-XXP

PCB &gt; PCB -

:2026-07-05 :V1



Pitch: 8.80 mm , 600V, 30A

	PCB connector Socket, Wave soldering
	PCB connector Socket
(mm)	8.80
	Green (default)
	Without
	Wave soldering
(mm)	$8.80 \times (P-1) + 8.50$
(mm)	28.7
(mm)	16.1
(    x    ) (mm)	1.5x1.5
PCB (mm)	2.4~2.6
(    )	02P~12P
	Single level
	PA
	I
UL 94	V0



	500M at DC 500V
	COPPER ALLOY
	Tin PLATED

**-IEC**

(V)	1000
(A)	57
(II/2)(V)	1000
(III/2)(V)	1000
(III/3)(V)	1000
(II/2)(KV)	8
(III/2)(KV)	8
(III/3)(KV)	8

**-UL**

(UL/CUL Group B)(V)	600
(UL/CUL Group B)(A)	30
(UL/CUL Group C)(V)	600
(UL/CUL Group C)(A)	30
(UL/CUL Group D)(V)	600
(UL/CUL Group D)(A)	5

**&**

가 (YES or NO)	YES
	115
	-40

**UL**

(Group B)(V)	600
(Group B)(A)	30
(Group C)(V)	600
(Group C)(A)	30
(Group D)(V)	600
(Group D)(A)	5

# CUL

(Group B)(V)	600
(Group B)(A)	30
(Group C)(V)	600
(Group C)(A)	30
(Group D)(V)	600
(Group D)(A)	5

