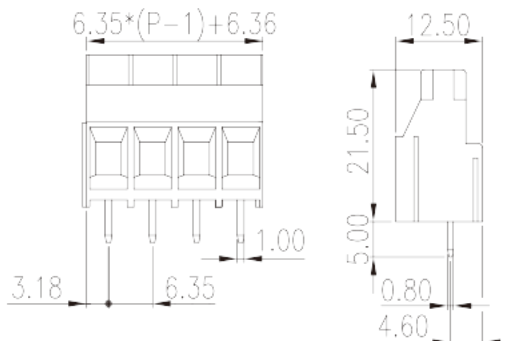


ESK635V-XXP

PCB > PCB

:2026-07-05 :1.1



Pitch : 6.35mm, 300V, 30A

		PCB Terminal Blocks, Screw Connection
		PCB Terminal Blocks
(mm)		6.35
		Green (default)
		Screw Connection
		Without
(mm)		$6.35 \times (P-1) + 6.36$
(mm)		12.5
(mm)		21.5
() x () (mm)		0.8x1.0
PCB (mm)		1.3~1.5
()		02P~24P
		Single level
		PA
		I
UL 94		V0



	500M at DC 500V
	COPPER ALLOY
	Tin PLATED

-IEC

(V)	630
(A)	32
(II/2)(V)	1000
(III/2)(V)	630
(III/3)(V)	500
(II/2)(KV)	6
(III/2)(KV)	6
(III/3)(KV)	6
(mm ²)	0.2
(mm ²)	4
(mm ²)	0.2
(mm ²)	4
(mm ²) , ,	0.25
(mm ²) , ,	2.5
(mm ²) , ,	0.25
(mm ²) , ,	2.5
2 (mm ²)	0.2
2 (mm ²)	1.5
2 (mm ²)	0.2
2 (mm ²)	1
	M3
Width)(mm) (Blade thickness x	0.8x4.0
(N.m)	0.8
	10~11

-UL

(UL/CUL Group B)(V)	300
---------------------	-----



(UL/CUL Group B)(A)		30
(UL/CUL Group D)(V)		300
(UL/CUL Group D)(A)		10
UL/CUL	AWG	26
UL/CUL	AWG	10
UL/CUL	AWG	26
UL/CUL	AWG	10

&

가	(YES or NO)	YES
		120
		-40

UL

(Group B)(AWG)		26~10
(Group B)(V)		300
(Group B)(A)		30
(Group D)(AWG)		26~10
(Group D)(V)		300
(Group D)(A)		10

CUL

(Group B)(AWG)		26~10
(Group B)(V)		300
(Group B)(A)		30
(Group D)(AWG)		26~10
(Group D)(V)		300
(Group D)(A)		10

VDE

(mm ²)		0.2~4.0
(V)		450
(A)		32

