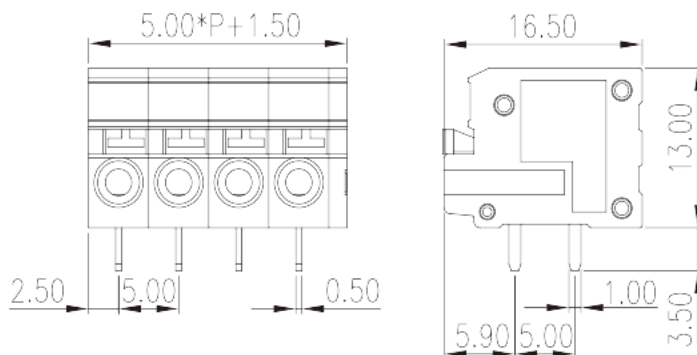


0138-76XX

PCB > PCB

:2026-07-05 :V1



Pitch : 5.00mm, 300V, 10A

	PCB Terminal Blocks, Push-in Design
	PCB Terminal Blocks
(mm)	5.00
	Grey (default)
	Push in design
	Without
	Wave soldering
(mm)	5.00*P+1.5
(mm)	16.5
(mm)	13
(x) (mm)	0.5x1.0
PCB (mm)	1.3
()	02P~24P
	Single level
	PA
	I

UL 94	V0
	500M at DC 500V
	COPPER ALLOY
	Tin PLATED

-IEC

(V)	320
(A)	17.5
(II/2)(V)	630
(III/2)(V)	320
(III/3)(V)	320
(II/2)(KV)	4
(III/2)(KV)	4
(III/3)(KV)	4
(mm ²)	0.2
(mm ²)	1.5
(mm ²)	0.2
(mm ²)	1.5
(mm ²) , ,	0.25
(mm ²) , ,	1
(mm ²) , ,	0.25
(mm ²) , ,	1
Width)(mm) (Blade thickness x	0.4x2.5
	10~11

-UL

(UL/CUL Group B)(V)	300
(UL/CUL Group B)(A)	10
(UL/CUL Group D)(V)	300
(UL/CUL Group D)(A)	10
UL/CUL AWG	26
UL/CUL AWG	14



UL/CUL	AWG	26
UL/CUL	AWG	14

&

가	(YES or NO)	YES
		120
		-40

UL

(Group B)(AWG)	26~14(SOL)
(Group B)(V)	300
(Group B)(A)	10
(Group D)(AWG)	26~14(SOL)
(Group D)(V)	300
(Group D)(A)	10

CUL

(Group B)(AWG)	26~14(SOL)
(Group B)(V)	300
(Group B)(A)	10
(Group D)(AWG)	26~14(SOL)
(Group D)(V)	300
(Group D)(A)	10

VDE

(mm ²)	0.2~1.5
(V)	320
(A)	17.5

--	--

