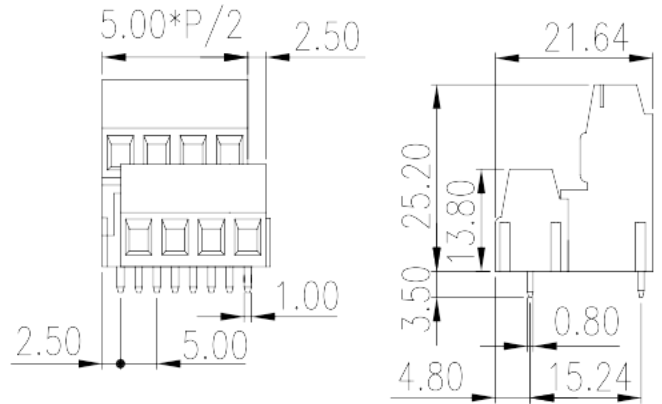


EK500V4L-XXP

PCB > PCB

:2026-07-05 :V1



Pitch : 5.00mm, 300V, 20A

		PCB Terminal Blocks, Screw Connection
		PCB Terminal Blocks
(mm)		5
		Green (default)
		Screw Connection
		Without
(mm)		$5.00 \times P/2$
(mm)		21.64
(mm)		25.2
() x () (mm)		0.8x1.0
PCB (mm)		1.5~1.6
()		04P~48P
		Double level
		PA
		I
UL 94		V0



	500M at DC 500V
	COPPER ALLOY
	Tin PLATED

-IEC

(V)	320
(A)	24
(II/2)(V)	630
(III/2)(V)	320
(III/3)(V)	250
(II/2)(KV)	4
(III/2)(KV)	4
(III/3)(KV)	4
(mm ²)	0.5
(mm ²)	2.5
(mm ²)	0.5
(mm ²)	2.5
(mm ²) , ,	0.25
(mm ²) , ,	1.5
(mm ²) , ,	0.25
(mm ²) , ,	1.5
2 (mm ²)	1
2 (mm ²)	1
	M2.5
(N.m)	0.5
	6~7

-UL

(UL/CUL Group B)(V)	300
(UL/CUL Group B)(A)	20
(UL/CUL Group D)(V)	300
(UL/CUL Group D)(A)	20
UL/CUL AWG	24



UL/CUL	AWG	12
UL/CUL	AWG	24
UL/CUL	AWG	12

&

가	(YES or NO)	YES
		120
		-40

UL

(Group B)(AWG)		24~12
(Group B)(V)		300
(Group B)(A)		20
(Group D)(AWG)		24~12
(Group D)(V)		300
(Group D)(A)		20

CUL

(Group B)(AWG)		24~12
(Group B)(V)		300
(Group B)(A)		20
(Group D)(AWG)		24~12
(Group D)(V)		300
(Group D)(A)		20

--	--	--

