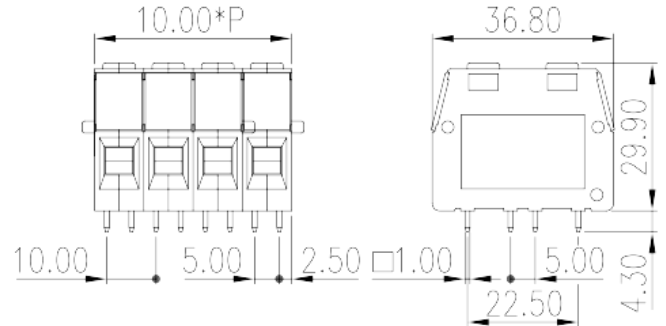


PDS-10A-XX

PCB > PCB

:2026-07-05 :V1



Pitch : 10.00mm, 300V

		PCB Terminal Blocks, Screw Connection
		PCB Terminal Blocks
(mm)		10.00
		Green-Yellow (default)
		Screw Connection
		Without
(mm)		5.00*(2P-1)+5.0
(mm)		36.8
(mm)		29.9
() x () (mm)		1.0x1.0
PCB (mm)		1.4~1.5
()		02P~12P
		Single level
		PA
		I
UL 94		V0



	500M at DC 500V
	COPPER ALLOY
	Tin PLATED
-IEC	
(V)	320
(II/2)(V)	630
(III/2)(V)	320
(III/3)(V)	250
(II/2)(KV)	4
(III/2)(KV)	4
(III/3)(KV)	4
(mm ²)	0.2
(mm ²)	16
(mm ²)	0.2
(mm ²)	26
(mm ²) , ,	0.25
(mm ²) , ,	10
(mm ²) , ,	0.25
(mm ²) , ,	10
2 (mm ²)	0.2
2 (mm ²)	2.5
2 (mm ²)	0.2
2 (mm ²)	2.5
(mm ²) 2 , ,	0.5
(mm ²) 2 , ,	6
2 (mm ²) , ,	2.5
2 (mm ²) , ,	6
	M4
(N.m)	1.2~1.5



12~13

-UL

(UL/CUL Group B)(V)		300
(UL/CUL Group D)(V)		300
UL/CUL	AWG	24
UL/CUL	AWG	6
UL/CUL	AWG	24
UL/CUL	AWG	6

&

가	(YES or NO)	YES
		120
		-40

UL

(Group B)(AWG)		24~6
(Group B)(V)		300
(Group D)(AWG)		24~6
(Group D)(V)		300

CUL

(Group B)(AWG)		24~6
(Group B)(V)		300
(Group D)(AWG)		24~6
(Group D)(V)		300

