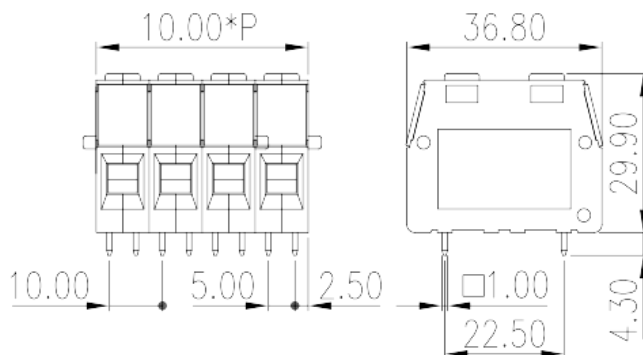
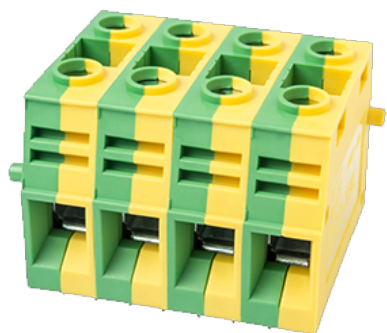


PDS-10SA-XX

PCB > PCB

:2026-07-05 :V1



Pitch : 10.00mm, 300V

		PCB Terminal Blocks, Screw Connection
		PCB Terminal Blocks
(mm)		10
		Green-Yellow (default)
		Screw Connection
		Without
(mm)		$5.00 \times (2P-1) + 5.00$
(mm)		36.8
(mm)		29.9
() x () (mm)		1.0x1.0
PCB (mm)		1.4~1.5
()		02P~12P
		Single level
		PA
		I
UL 94		V0



	500M at DC 500V
	COPPER ALLOY
	Tin PLATED

-IEC

(V)	630
(II/2)(V)	630
(III/2)(V)	320
(III/3)(V)	320
(II/2)(KV)	4
(III/2)(KV)	4
(III/3)(KV)	4
(mm ²)	0.5
(mm ²)	10
(mm ²)	0.5
(mm ²)	10
(mm ²) , ,	0.25
(mm ²) , ,	10
(mm ²) , ,	0.25
(mm ²) , ,	10
2 (mm ²)	4
2 (mm ²)	4
	M4
(N.m)	1.2~1.5
	12~13

-UL

(UL/CUL Group B)(V)	300
(UL/CUL Group D)(V)	300
UL/CUL AWG	24
UL/CUL AWG	6
UL/CUL AWG	24
UL/CUL AWG	6

&

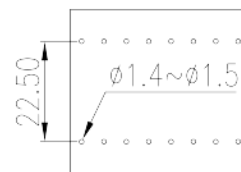
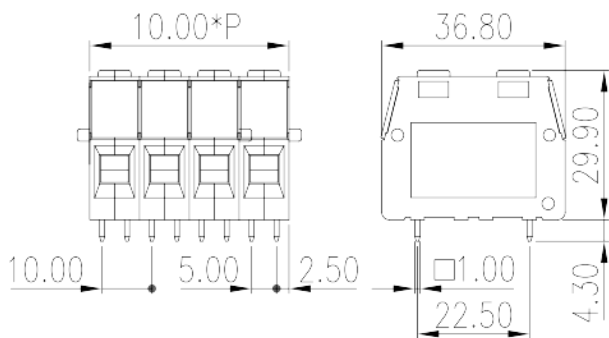
가 (YES or NO)	YES
	120
	-40

UL

(Group B) (AWG)	24~6
(Group B) (V)	300
(Group D) (AWG)	24~6
(Group D) (V)	300

CUL

(Group B) (AWG)	24~6
(Group B) (V)	300
(Group D) (AWG)	24~6
(Group D) (V)	300





Delight Through Connections