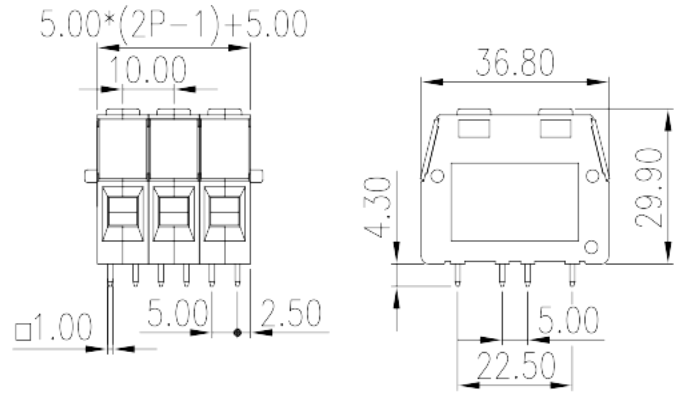


PDS-10-XX

PCB > PCB

:2026-07-05 :V1



Pitch : 5.00mm, 300V, 65A

| | | PCB Terminal Blocks, Screw Connection |
|----------------|--|---------------------------------------|
| | | PCB Terminal Blocks |
| (mm) | | 10.00 |
| | | Green (default) |
| | | Screw Connection |
| | | Without |
| (mm) | | $5.00 \times (2P - 1) + 5.0$ |
| (mm) | | 36.8 |
| (mm) | | 29.9 |
| () x () (mm) | | 1.0x1.0 |
| PCB (mm) | | 1.4~1.5 |
| () | | 02P~10P |
| | | Single level |
| | | PA |
| | | I |
| UL 94 | | V0 |



| | | |
|--------------------|------------------------|-----------------|
| | | 500M at DC 500V |
| | | COPPER ALLOY |
| | | Tin PLATED |
| -IEC | | |
| (V) | | 320 |
| (A) | | 65 |
| (II/2)(V) | | 630 |
| (III/2)(V) | | 320 |
| (III/3)(V) | | 250 |
| (II/2)(KV) | | 4 |
| (III/2)(KV) | | 4 |
| (III/3)(KV) | | 4 |
| (mm ²) | | 0.2 |
| (mm ²) | | 16 |
| (mm ²) | | 0.2 |
| (mm ²) | | 16 |
| (mm ²) | ' | 0.25 |
| (mm ²) | ' | 10 |
| (mm ²) | ' | 0.25 |
| (mm ²) | ' | 10 |
| | 2 (mm ²) | 0.2 |
| | 2 (mm ²) | 2.5 |
| | 2 (mm ²) | 0.2 |
| | 2 (mm ²) | 2.5 |
| (mm ²) | 2 , | 0.5 |
| (mm ²) | 2 , | 6 |
| | 2 (mm ²) , | 0.5 |
| | 2 (mm ²) , | 6 |
| | | M4 |



| | |
|-------|-------|
| (N.m) | 1.2 |
| | 12~13 |

-UL

| | |
|---------------------|-----|
| (UL/CUL Group B)(V) | 300 |
| (UL/CUL Group D)(V) | 300 |
| UL/CUL AWG | 24 |
| UL/CUL AWG | 6 |
| UL/CUL AWG | 24 |
| UL/CUL AWG | 6 |

&

| | |
|---------------|-----|
| 가 (YES or NO) | YES |
| | 120 |
| | -40 |

UL

| | |
|----------------|------|
| (Group B)(AWG) | 24~6 |
| (Group B)(V) | 300 |
| (Group D)(AWG) | 24~6 |
| (Group D)(V) | 300 |

CUL

| | |
|----------------|------|
| (Group B)(AWG) | 24~6 |
| (Group B)(V) | 300 |
| (Group D)(AWG) | 24~6 |
| (Group D)(V) | 300 |

| | |
|--|--|
| | |
|--|--|

