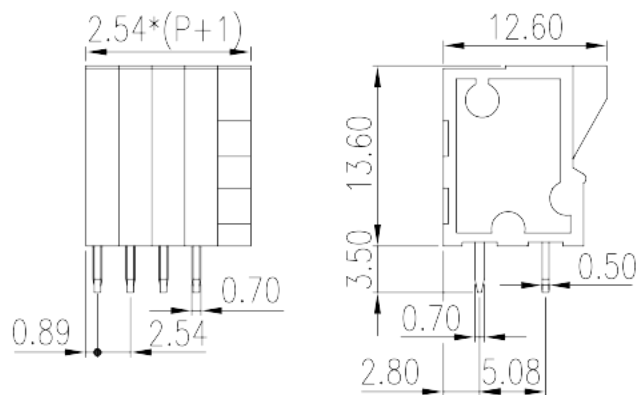
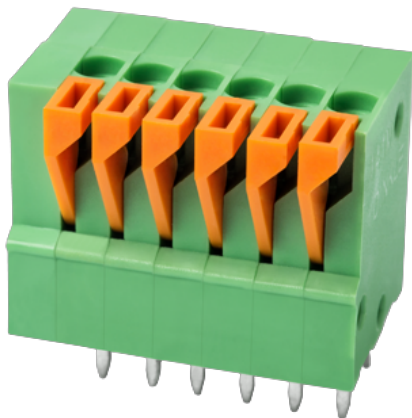


141V-XXP

PCB > PCB

:2026-07-06 :V1



Pitch : 2.54mm, 150V, 5A

		PCB Terminal Blocks, Push-in Design
		PCB Terminal Blocks
(mm)		2.54
		Green (default)
		Push in design
		Without
		Wave soldering
(mm)		$2.54*(P-1) + 5.08$
(mm)		12.6
(mm)		13.6
() x () (mm)		0.5x0.7
PCB (mm)		1.1
()		01P~24P
		Single level
		PA
		I



UL 94	V0
	500M at DC 500V
	COPPER ALLOY
	Tin PLATED

-IEC

(V)	160
(A)	6
(II/2)(V)	320
(III/2)(V)	160
(III/3)(V)	160
(II/2)(KV)	2.5
(III/2)(KV)	2.5
(III/3)(KV)	2.5
(mm ²)	0.14
(mm ²)	0.5
(mm ²)	0.14
(mm ²)	0.5
(mm ²) , ,	0.25
(mm ²) , ,	0.34
(mm ²) , ,	0.25
(mm ²) , ,	0.34
Width)(mm) (Blade thickness x	0.4x2.5
	10~11

-UL

(UL/CUL Group B)(V)	150
(UL/CUL Group B)(A)	5
UL/CUL AWG	26
UL/CUL AWG	20
UL/CUL AWG	26
UL/CUL AWG	20

&

가 (YES or NO)	YES
	120
	-40

UL

(Group B) (AWG)	26~20
(Group B) (V)	150
(Group B) (A)	5

CUL

(Group B) (AWG)	26~20
(Group B) (V)	150
(Group B) (A)	5

