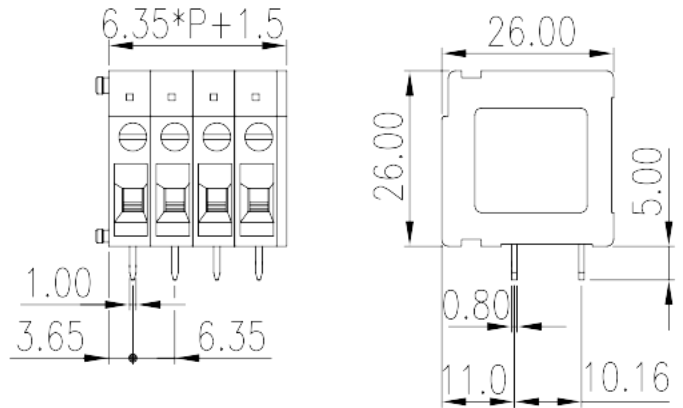


DT-2300-XXP

PCB > PCB

:2026-07-04 :V1



Pitch : 6.35mm, 300V, 30A

	PCB Terminal Blocks, Front Screw Connection
	PCB Terminal Blocks
(mm)	6.35
	Green (default)
	Front Screw Connection
	Without
(mm)	6.35*P+1.5
(mm)	26
(mm)	26
(x) (mm)	0.8x1.0
PCB (mm)	1.4~1.5
()	02P~16P
	Single level
	PA
	I
UL 94	V0



	500M at DC 500V
	COPPER ALLOY
	Tin PLATED
-IEC	
(V)	320
(A)	24
(II/2)(V)	630
(III/2)(V)	320
(III/3)(V)	320
(II/2)(KV)	4
(III/2)(KV)	4
(III/3)(KV)	4
(mm ²)	0.5
(mm ²)	2.5
(mm ²)	0.5
(mm ²)	2.5
(mm ²) , ,	0.5
(mm ²) , ,	1.5
(mm ²) , ,	0.5
(mm ²) , ,	1.5
2 (mm ²)	0.5
2 (mm ²)	1
2 (mm ²)	0.5
2 (mm ²)	1
(mm ²) 2 , ,	0.5
(mm ²) 2 , ,	0.75
2 (mm ²) , ,	0.5
2 (mm ²) , ,	1
	M3

(N.m)	0.6
	13~14

-UL

(UL/CUL Group B)(V)	300
(UL/CUL Group B)(A)	30
(UL/CUL Group D)(V)	300
(UL/CUL Group D)(A)	10
UL/CUL AWG	22
UL/CUL AWG	10
UL/CUL AWG	22
UL/CUL AWG	10

&

가 (YES or NO)	YES
	120
	-40

UL

(Group B)(AWG)	22~10
(Group B)(V)	300
(Group B)(A)	30
(Group D)(AWG)	22~10
(Group D)(V)	300
(Group D)(A)	10

CUL

(Group B)(AWG)	22~10
(Group B)(V)	300
(Group B)(A)	30
(Group D)(AWG)	22~10
(Group D)(V)	300
(Group D)(A)	10

VDE

--	--

(mm ²)	0.5~6
(V)	320
(A)	32

