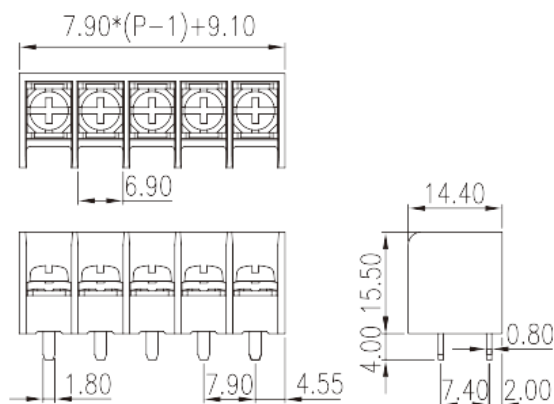
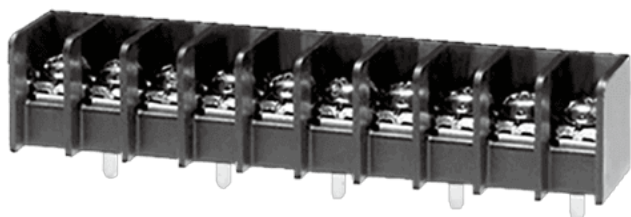


# 0167-10XX

>

:2026-07-05 :1.1



Pitch: 7.90mm , M3.5, 300V, 20A

	Barrier terminal blocks , Screw connection
	Single level
(mm)	7.90
	Black(default)
	Screw connection
	Without
( x ) (mm)	0.8x1.8
PCB (mm)	1.2*2.3
	Single level
	PBT
	IIIa
UL 94	V0
	Copper Alloy
	Tinned

-IEC



(A)		24
(II/2)(V)		1000
(III/2)(V)		1000
(III/3)(V)		630
(II/2)(KV)		8
(III/2)(KV)		8
(III/3)(KV)		8
(mm <sup>2</sup> )		0.5
(mm <sup>2</sup> )		2.5
(mm <sup>2</sup> )		0.5
(mm <sup>2</sup> )		2.5
2	(mm <sup>2</sup> )	1.5
2	(mm <sup>2</sup> )	1.5
		M3.5
Width)(mm)	(Blade thickness x	0.8x4
Philips		PH2
	(N.m)	1.4
	(N.m)	0.8
	(N.m)	1.4
		8

**-UL**

(UL/CUL Group B)(V)		300
(UL/CUL Group B)(A)		20
(UL/CUL Group C)(V)		300
(UL/CUL Group C)(A)		20
(UL/CUL Group D)(V)		600
(UL/CUL Group D)(A)		5
UL/CUL	AWG	22
UL/CUL	AWG	12
UL/CUL	AWG	22
UL/CUL	AWG	12

&amp;



(YES or NO)	YES
	130
	-40

## UL

(Group B)(AWG)	22~12
(Group B)(V)	300
(Group B)(A)	20
(Group C)(AWG)	22~12
(Group C)(V)	300
(Group C)(A)	20
(Group D)(AWG)	22~12
(Group D)(V)	600
(Group D)(A)	5

## CUL

(Group B)(AWG)	22~12
(Group B)(V)	300
(Group B)(A)	20
(Group C)(AWG)	22~12
(Group C)(V)	300
(Group C)(A)	20
(Group D)(AWG)	22~12
(Group D)(V)	600
(Group D)(A)	5

--	--

