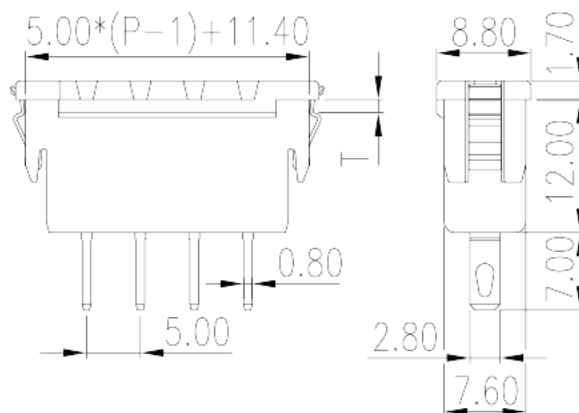
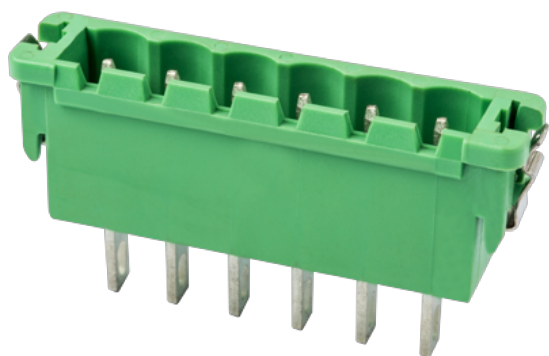


5EHDK-XXP/T

PCB > PCB -

:2026-07-04 :V1



Pitch : 5.00 mm, 300V, 15A (T1.0、 1.2、 1.4、 1.6)

	PCB Connector – Socket, Wave soldering
	PCB Connector – Socket
(mm)	5.00
	Green (default)
	With lock flange
	Iron Soldering
(mm)	$5.00 \times (P-1) + 13.22$
(mm)	8.8
(mm)	22
(x) (mm)	2.8x0.8
()	02P~12P
	Single level
	PA
	I
UL 94	V0
	500M at DC 500V



	COPPER ALLOY
	Tin PLATED

-IEC

(V)	630
(A)	18
(II/2)(V)	630
(III/2)(V)	320
(III/3)(V)	320
(II/2)(KV)	4
(III/2)(KV)	4
(III/3)(KV)	4
(mm ²)	0.2
(mm ²)	2.5
(mm ²)	0.2
(mm ²)	2.5

-UL

(UL/CUL Group B)(V)	300
(UL/CUL Group B)(A)	15
(UL/CUL Group D)(V)	300
(UL/CUL Group D)(A)	10
UL/CUL AWG	24
UL/CUL AWG	12
UL/CUL AWG	24
UL/CUL AWG	12

&

가 (YES or NO)	YES
	120
	-40

UL

(Group B)(V)	300
(Group B)(A)	15

(Group D)(V)	300
(Group D)(A)	10

CUL

(Group B)(V)	300
(Group B)(A)	15
(Group D)(V)	300
(Group D)(A)	10

VDE

(V)	600
(A)	18

