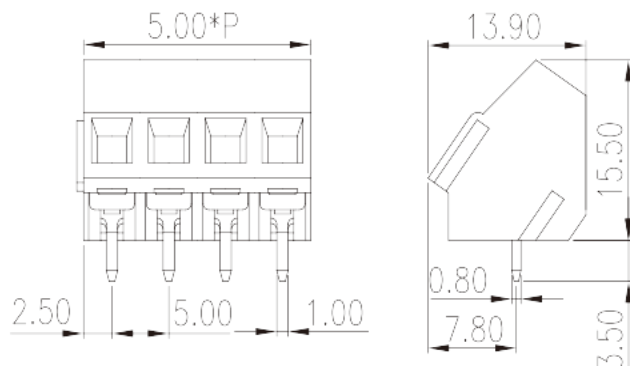
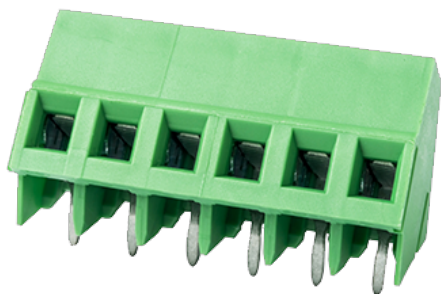


# EK500A-XXP

PCB > PCB

:2026-05-14 :V1



Pitch : 5.00mm, 300V, 20A

		PCB Terminal Blocks, Screw Connection
		PCB Terminal Blocks
(mm)		5.00
		Green (default)
		Screw Connection
		Without
(mm)		5.00*(P-1)+5.0
(mm)		13.9
(mm)		15.5
( x ) (mm)		0.8x1.0
PCB (mm)		1.7
( )		02P~44P
		Single level
		PA
		I
UL 94		V0



	500M at DC 500V
	COPPER ALLOY
	Tin PLATED

**-IEC**

(V)	320
(A)	24
(II/2)(V)	630
(III/2)(V)	320
(III/3)(V)	250
(II/2)(KV)	4
(III/2)(KV)	4
(III/3)(KV)	4
(mm <sup>2</sup> )	0.14
(mm <sup>2</sup> )	2.5
(mm <sup>2</sup> )	0.14
(mm <sup>2</sup> )	2.5
(mm <sup>2</sup> )	0.25
(mm <sup>2</sup> )	1.5
(mm <sup>2</sup> )	0.25
(mm <sup>2</sup> )	1.5
2 (mm <sup>2</sup> )	0.14
2 (mm <sup>2</sup> )	1
2 (mm <sup>2</sup> )	0.14
2 (mm <sup>2</sup> )	0.75
	M2.5
Width)(mm) (Blade thickness x	0.6x3.5
(N.m)	0.5
	6~7

**-UL**

(UL/CUL Group B)(V)	300
---------------------	-----

(UL/CUL Group B)(A)		20
(UL/CUL Group D)(V)		300
(UL/CUL Group D)(A)		10
UL/CUL	AWG	24
UL/CUL	AWG	12
UL/CUL	AWG	24
UL/CUL	AWG	12

&

가	(YES or NO)	YES
		120
		-40

## UL

(Group B)(AWG)		24~12
(Group B)(V)		300
(Group B)(A)		20
(Group D)(AWG)		24~12
(Group D)(V)		300
(Group D)(A)		20

## CUL

(Group B)(AWG)		24~12
(Group B)(V)		300
(Group B)(A)		20
(Group D)(AWG)		24~12
(Group D)(V)		300
(Group D)(A)		20

## VDE

(mm <sup>2</sup> )		0.14~2.5
(V)		250
(A)		24

