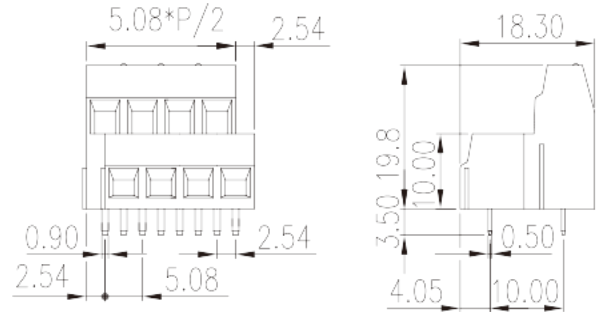


# EELK508V-XXP

PCB &gt; PCB

:2026-07-05 :V1



Pitch : 5.08mm, 300V, 13.5A

		PCB Terminal Blocks, Screw Connection
		PCB Terminal Blocks
(mm)		5.08
		Green (default)
		Screw Connection
		Without
(mm)		$5.08 \times (P/2 - 1) + 7.62$
(mm)		18.3
(mm)		19.8
( ) x ( ) (mm)		0.5x0.9
PCB (mm)		1.3
( )		04P~32P
		Double level
		PA
		I
UL 94		V0



	500M at DC 500V
	COPPER ALLOY
	Tin PLATED

**-IEC**

(V)	400
(A)	14
(II/2)(V)	630
(III/2)(V)	400
(III/3)(V)	250
(II/2)(KV)	4
(III/2)(KV)	4
(III/3)(KV)	4
(mm <sup>2</sup> )	0.14
(mm <sup>2</sup> )	2.5
(mm <sup>2</sup> )	0.14
(mm <sup>2</sup> )	1.5
(mm <sup>2</sup> )	0.25
(mm <sup>2</sup> )	1
(mm <sup>2</sup> )	0.25
(mm <sup>2</sup> )	1
2 (mm <sup>2</sup> )	0.5
2 (mm <sup>2</sup> )	1
2 (mm <sup>2</sup> )	0.5
2 (mm <sup>2</sup> )	0.75
	M2.5
Width)(mm) (Blade thickness x	0.6x3.5
(N.m)	0.4
	6~7

**-UL**

(UL/CUL Group B)(V)	300
---------------------	-----

(UL/CUL Group B)(A)		13.5
(UL/CUL Group D)(V)		300
(UL/CUL Group D)(A)		10
UL/CUL	AWG	26
UL/CUL	AWG	18
UL/CUL	AWG	26
UL/CUL	AWG	18

&

가	(YES or NO)	YES
		120
		-40

## UL

(Group B)(AWG)		26~18
(Group B)(V)		300
(Group B)(A)		13.5
(Group D)(AWG)		26~18
(Group D)(V)		300
(Group D)(A)		10

## CUL

(Group B)(AWG)		26~18
(Group B)(V)		300
(Group B)(A)		13.5
(Group D)(AWG)		26~18
(Group D)(V)		300
(Group D)(A)		10

## VDE

(mm <sup>2</sup> )		0.2~1.5
(V)		400
(A)		14

