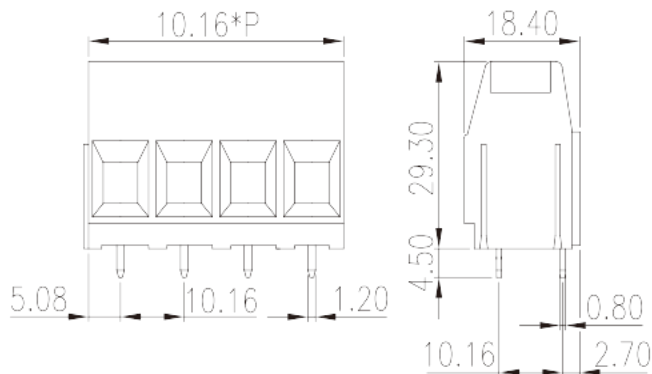
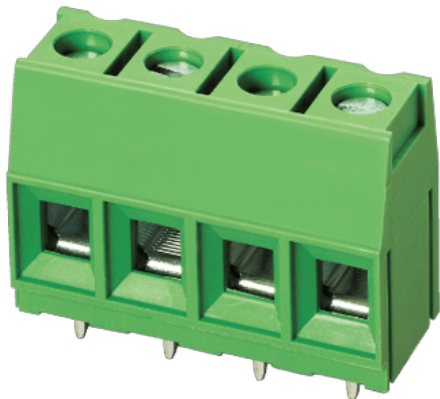


# ESK116V-XXP

PCB &gt; PCB

:2026-03-29 :1.1



Pitch : 10.16mm, 300/600V, 65/5A

		PCB Terminal Blocks, Screw Connection
		PCB Terminal Blocks
(mm)		10.16
		Green (default)
		Screw Connection
		Without
(mm)		$10.16 \times (P-1) + 10.16$
(mm)		18.4
(mm)		29.3
( ) x ( ) (mm)		0.8x1.2
PCB (mm)		1.6
( )		02P~16P
		Single level
		PA
		I
UL 94		V0



	500M at DC 500V
	COPPER ALLOY
	Tin PLATED

**-IEC**

(V)	1000
(A)	76
(II/2)(V)	1000
(III/2)(V)	1000
(III/3)(V)	800
(II/2)(KV)	8
(III/2)(KV)	8
(III/3)(KV)	8
(mm <sup>2</sup> )	0.5
(mm <sup>2</sup> )	16
(mm <sup>2</sup> )	0.5
(mm <sup>2</sup> )	16
(mm <sup>2</sup> ) , ,	0.25
(mm <sup>2</sup> ) , ,	10
(mm <sup>2</sup> ) , ,	0.25
(mm <sup>2</sup> ) , ,	10
2 (mm <sup>2</sup> )	0.5
2 (mm <sup>2</sup> )	4
2 (mm <sup>2</sup> )	0.5
2 (mm <sup>2</sup> )	4
	M4
Width)(mm) (Blade thickness x	0.8x4.0
(N.m)	1.2
(N.m)	1.5
	10~11

**-UL**



(UL/CUL Group B)(V)		300
(UL/CUL Group B)(A)		65
(UL/CUL Group C)(V)		300
(UL/CUL Group C)(A)		65
(UL/CUL Group D)(V)		600
(UL/CUL Group D)(A)		5
UL/CUL	AWG	6
UL/CUL	AWG	20
UL/CUL	AWG	6
UL/CUL	AWG	20

&amp;

가	(YES or NO)	YES
		120
		-40

**UL**

(Group B)(AWG)		20~6
(Group B)(V)		300
(Group B)(A)		65
(Group C)(AWG)		20~6
(Group C)(V)		300
(Group C)(A)		65
(Group D)(AWG)		20~6
(Group D)(V)		600
(Group D)(A)		5

**CUL**

(Group B)(AWG)		20~6
(Group B)(V)		300
(Group B)(A)		65
(Group C)(AWG)		20~6
(Group C)(V)		300
(Group C)(A)		65
(Group D)(AWG)		20~6

(Group D)(V)	600
(Group D)(A)	5

VDE

(mm <sup>2</sup> )	0.5~16
(V)	1000
(A)	76

