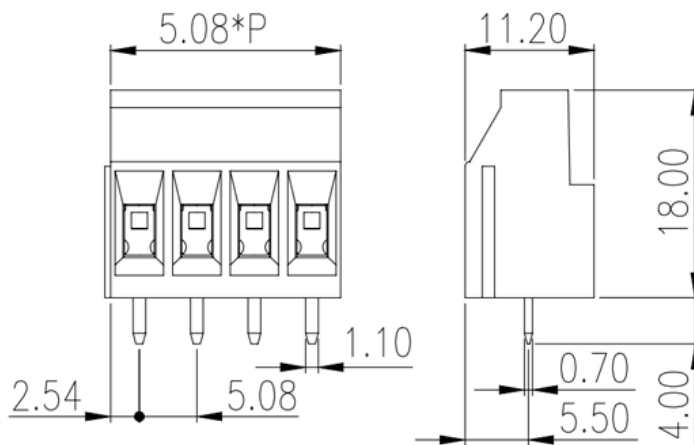


# EHK2V-XXP

PCB > PCB

:2026-07-04 :V1



Pitch : 5.08mm, 300V, 25A

		PCB Terminal Blocks, Screw Connection
		PCB Terminal Blocks
(mm)		5.08
		Green (default)
		Screw Connection
		Without
(mm)		$5.08 \times (P-1) + 5.08$
(mm)		11.2
(mm)		18
( ) x ( ) (mm)		0.7x1.1
PCB (mm)		1.6
( )		02P~24P
		Single level
		PA
		I
UL 94		V0



	500M at DC 500V
	COPPER ALLOY
	Tin PLATED

**-IEC**

(V)	320
(A)	24
(II/2)(V)	630
(III/2)(V)	320
(III/3)(V)	320
(II/2)(KV)	4
(III/2)(KV)	4
(III/3)(KV)	4
(mm <sup>2</sup> )	0.2
(mm <sup>2</sup> )	2.5
(mm <sup>2</sup> )	0.2
(mm <sup>2</sup> )	2.5
(mm <sup>2</sup> ) , ,	0.25
(mm <sup>2</sup> ) , ,	2.5
(mm <sup>2</sup> ) , ,	0.25
(mm <sup>2</sup> ) , ,	2.5
2 (mm <sup>2</sup> )	0.5
2 (mm <sup>2</sup> )	1.5
2 (mm <sup>2</sup> )	0.5
2 (mm <sup>2</sup> )	1.5
	M2.5
Width)(mm) (Blade thickness x	0.6x3.5
(N.m)	0.45
	7~8

**-UL**

(UL/CUL Group B)(V)	300
---------------------	-----



(UL/CUL Group B)(A)		25
(UL/CUL Group D)(V)		300
(UL/CUL Group D)(A)		10
UL/CUL	AWG	24
UL/CUL	AWG	12
UL/CUL	AWG	24
UL/CUL	AWG	12

&

가	(YES or NO)	YES
		120
		-40

### UL

(Group B)(AWG)		24~12
(Group B)(V)		300
(Group B)(A)		25(FW1)/20(FW2)

### CUL

(Group B)(AWG)		24~12
(Group B)(V)		300
(Group B)(A)		25(FW1)/20(FW2)

### VDE

(mm <sup>2</sup> )		0.2~2.5
(V)		300
(A)		24

--	--	--

