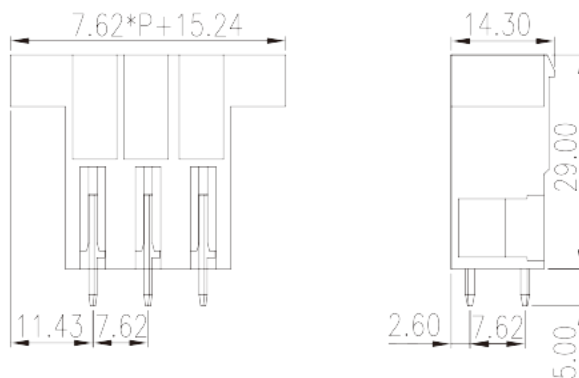
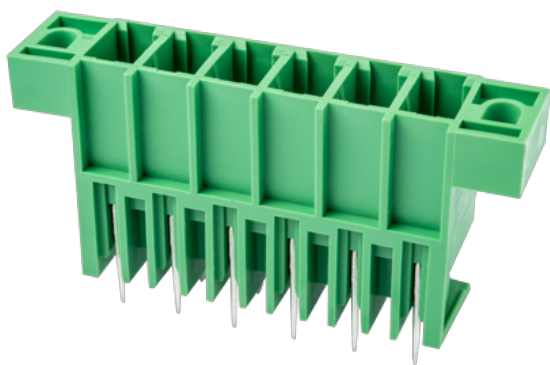


ECH762VTM- XXP

PCB > PCB -

:2026-07-05 :V1



Pitch : 7.62 mm, 300V, 30A

	PCB Connector – Socket, Wave soldering
	PCB Connector – Socket
(mm)	7.62
	Green (default)
	With threaded flange
	Wave soldering
(mm)	$7.62 * (P - 1) + 22.86$
(mm)	14.3
(mm)	29
(x) (mm)	0.8x1.0
PCB (mm)	1.5~1.6
()	02P~12P
	Single level
	PBT



	IIIa
UL 94	V0
	1000M at DC 500V
	COPPER ALLOY
	Tin PLATED

-IEC

(V)	1000
(A)	41
(II/2)(V)	1000
(III/2)(V)	630
(III/3)(V)	500
(II/2)(KV)	6
(III/2)(KV)	6
(III/3)(KV)	6
(N.m)	0.3

-UL

(UL/CUL Group B)(V)	300
(UL/CUL Group B)(A)	30
(UL/CUL Group D)(V)	300
(UL/CUL Group D)(A)	10

&

가 (YES or NO)	NO
	120
	-40

UL

(Group B)(V)	300
(Group B)(A)	30
(Group D)(V)	300
(Group D)(A)	10

CUL

--	--

(Group B)(V)	300
(Group B)(A)	30
(Group D)(V)	300
(Group D)(A)	10

VDE

(V)	1000
(A)	41

