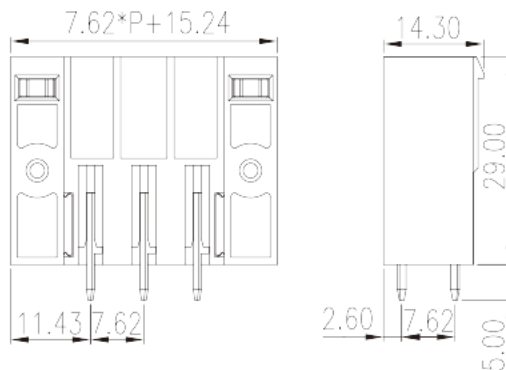
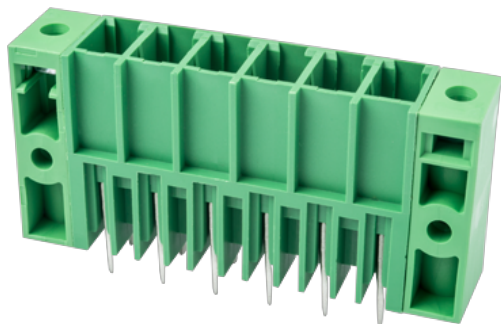


ECH762VM-XXP

PCB > PCB -

:2026-07-06 :V1



Pitch : 7.62 mm, 300V, 30A

	PCB Connector – Socket, Wave soldering
	PCB Connector – Socket
(mm)	7.62
	Green (default)
	With threaded flange
	Wave soldering
(mm)	$7.62 * (P - 1) + 22.86$
(mm)	14.3
(mm)	29
() x () (mm)	0.8x1.0
PCB (mm)	1.5~1.6
()	02P~12P
	Single level
	PBT
	IIIa
UL 94	V0



	1000M at DC 500V
	COPPER ALLOY
	Tin PLATED

-IEC

(V)	1000
(A)	41
(II/2)(V)	1000
(III/2)(V)	630
(III/3)(V)	500
(II/2)(KV)	6
(III/2)(KV)	6
(III/3)(KV)	6
(N.m)	0.3

-UL

(UL/CUL Group B)(V)	300
(UL/CUL Group B)(A)	30
(UL/CUL Group D)(V)	300
(UL/CUL Group D)(A)	10

&

가 (YES or NO)	NO
	120
	-40

UL

(Group B)(V)	300
(Group B)(A)	30
(Group D)(V)	300
(Group D)(A)	10

CUL

(Group B)(V)	300
(Group B)(A)	30

(Group D) (V)	300
(Group D) (A)	10

VDE

(V)	1000
(A)	41

