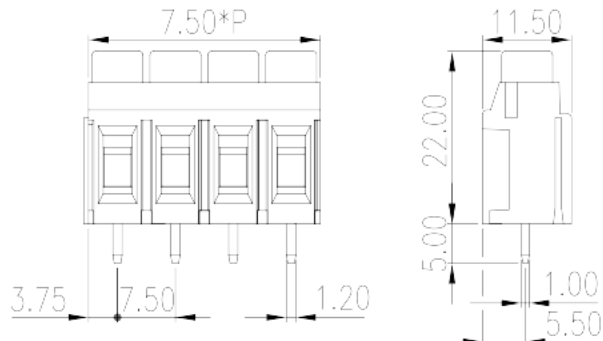
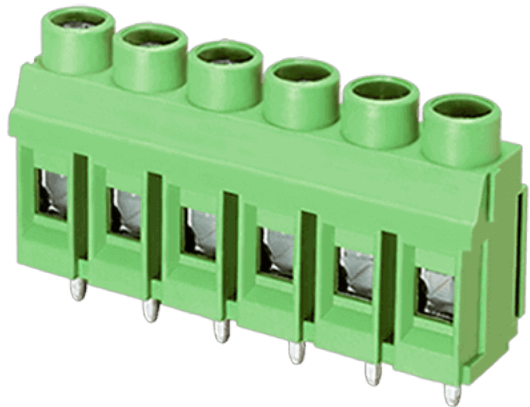


ESK750V-XXP

PCB > PCB

:2026-07-05 :1.1



Pitch : 7.50mm, 300V, 30A

	PCB Terminal Blocks, Screw Connection
	PCB Terminal Blocks
(mm)	7.50
	Green (default)
	Screw Connection
	Without
(mm)	$7.50 \times P$
(mm)	11.5
(mm)	22
(x) (mm)	1.0x1.2
PCB (mm)	1.6~1.8
()	02P~20P
	Single level
	PBT
	IIIa
UL 94	V0



	1000M at DC 500V
	COPPER ALLOY
	Tin PLATED

-IEC

(V)	750
(A)	32
(II/2)(V)	1000
(III/2)(V)	750
(III/3)(V)	630
(II/2)(KV)	6
(III/2)(KV)	6
(III/3)(KV)	6
(mm ²)	0.2
(mm ²)	6
(mm ²)	0.2
(mm ²)	4
(mm ²)	0.25
(mm ²)	4
(mm ²)	0.25
(mm ²)	4
2 (mm ²)	0.2
2 (mm ²)	1.5
2 (mm ²)	0.2
2 (mm ²)	1.5
	M3.5
Width)(mm) (Blade thickness x	0.8x4.0
(N.m)	0.8
	10~11

-UL

(UL/CUL Group B)(V)	300
---------------------	-----



(UL/CUL Group B)(A)		30
(UL/CUL Group C)(V)		300
(UL/CUL Group C)(A)		30
(UL/CUL Group D)(V)		600
(UL/CUL Group D)(A)		5
UL/CUL	AWG	24
UL/CUL	AWG	10
UL/CUL	AWG	24
UL/CUL	AWG	10

&

가	(YES or NO)	YES
		120
		-40

UL

(Group B)(AWG)		24~10
(Group B)(V)		300
(Group B)(A)		30
(Group C)(AWG)		24~10
(Group C)(V)		300
(Group C)(A)		30
(Group D)(AWG)		24~10
(Group D)(V)		600
(Group D)(A)		5

CUL

(Group B)(AWG)		24~10
(Group B)(V)		300
(Group B)(A)		30
(Group C)(AWG)		24~10
(Group C)(V)		300
(Group C)(A)		30
(Group D)(AWG)		24~10
(Group D)(V)		600

(Group D)(A)

5

VDE

(mm ²)	0.2~4.0
(V)	750
(A)	32

