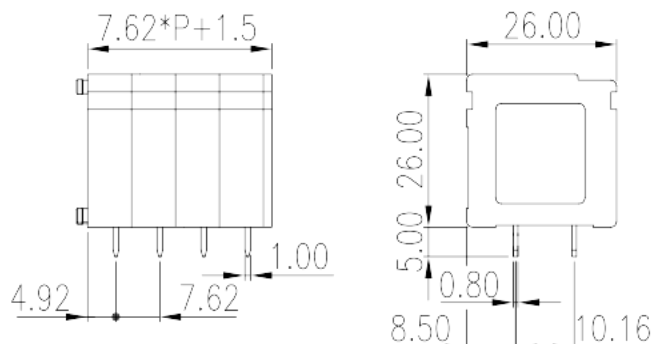
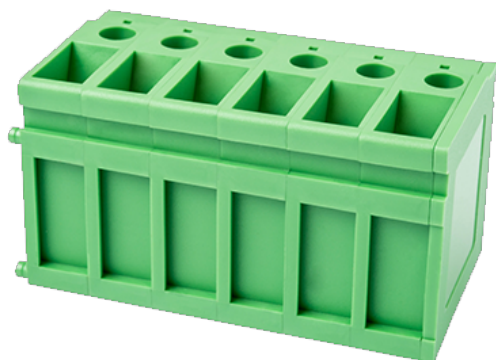


DT-2321-XXP

PCB > PCB

:2026-07-04 :V1



Pitch : 7.62mm, 300V, 30A

	PCB Terminal Blocks, Front Screw Connection
	PCB Terminal Blocks
(mm)	7.62
	Green (default)
	Front Screw Connection
	Without
(mm)	7.62*P+1.5
(mm)	26
(mm)	26
(x) (mm)	0.8x1.0
PCB (mm)	1.4~1.5
()	02P~16P
	Single level
	PA
	I
UL 94	V0



	500M at DC 500V
	COPPER ALLOY
	Tin PLATED

-IEC

(V)	630
(A)	24
(II/2)(V)	1000
(III/2)(V)	630
(III/3)(V)	500
(II/2)(KV)	6
(III/2)(KV)	6
(III/3)(KV)	6
(mm ²)	0.5
(mm ²)	2.5
(mm ²)	0.5
(mm ²)	2.5
(mm ²) , ,	0.5
(mm ²) , ,	1.5
(mm ²) , ,	0.5
(mm ²) , ,	1.5
2 (mm ²)	0.5
2 (mm ²)	1
2 (mm ²)	0.5
2 (mm ²)	1
(mm ²) 2 , ,	0.5
(mm ²) 2 , ,	0.75
2 (mm ²) , ,	0.5
2 (mm ²) , ,	1
	M3



Width)(mm)	(Blade thickness x	0.8x4.0
	(N.m)	0.6
		13~14

-UL

(UL/CUL Group B)(V)		300
(UL/CUL Group B)(A)		30
(UL/CUL Group D)(V)		300
(UL/CUL Group D)(A)		10
UL/CUL	AWG	22
UL/CUL	AWG	10
UL/CUL	AWG	22
UL/CUL	AWG	10

&

가	(YES or NO)	YES
		120
		-40

UL

(Group B)(AWG)		22~10
(Group B)(V)		300
(Group B)(A)		30
(Group D)(AWG)		22~10
(Group D)(V)		300
(Group D)(A)		10

CUL

(Group B)(AWG)		22~10
(Group B)(V)		300
(Group B)(A)		30
(Group D)(AWG)		22~10
(Group D)(V)		300
(Group D)(A)		10

VDE

(mm ²)	0.5~6
(V)	630
(A)	32

