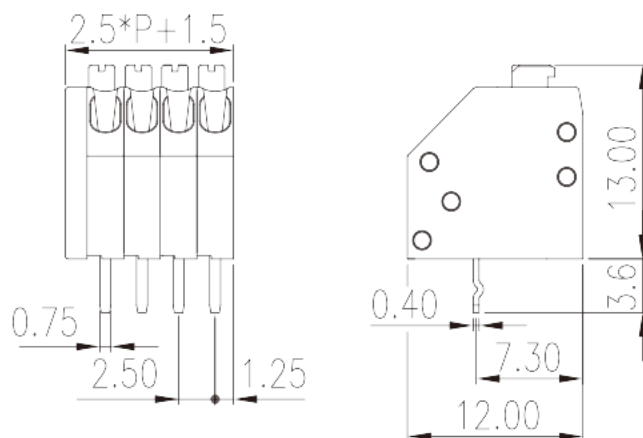


0136-11XX

PCB > PCB

:2026-07-05 :V1



Pitch : 2.50 mm, 150V, 2A

PCB Terminal Blocks, Push-in Design	
PCB Terminal Blocks	
(mm)	2.50
	Grey (default)
	Push in design
	Without
	Wave soldering
(mm)	$2.50 * (P - 1) + 4.0$
(mm)	12
(mm)	13
(x) (mm)	0.4x0.75
PCB (mm)	1
()	02P~24P
	Single level
	PA
	I



UL 94	V0
	500M at DC 500V
	COPPER ALLOY
	Tin PLATED

-IEC

(V)	160
(A)	2
(II/2)(V)	250
(III/2)(V)	160
(III/3)(V)	40
(II/2)(KV)	2.5
(III/2)(KV)	2.5
(III/3)(KV)	2.5
(mm ²)	0.2
(mm ²)	0.5
(mm ²)	0.2
(mm ²)	0.5
(mm ²) , ,	0.25
(mm ²) , ,	0.5
(mm ²) , ,	0.25
(mm ²) , ,	0.5
Width)(mm) (Blade thickness x	0.4x2.5
	8~9

-UL

(UL/CUL Group B)(V)	150
(UL/CUL Group B)(A)	2
UL/CUL AWG	28
UL/CUL AWG	20
UL/CUL AWG	28
UL/CUL AWG	20

&

가 (YES or NO)	YES
	120
	-40

UL

(Group B) (AWG)	28~20(SOL)
(Group B) (V)	150
(Group B) (A)	2

CUL

(Group B) (AWG)	28~20(SOL)
(Group B) (V)	150
(Group B) (A)	2

VDE

(mm ²)	0.2~0.5
(V)	130
(A)	2

