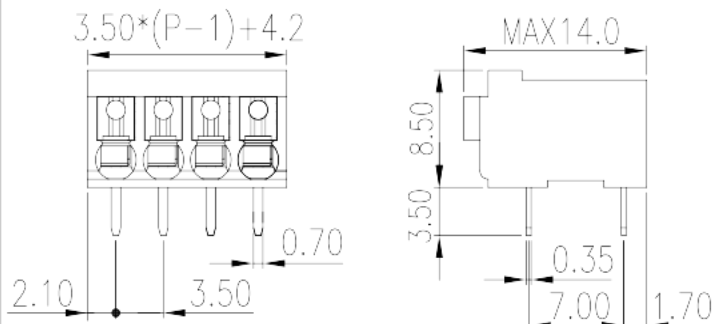
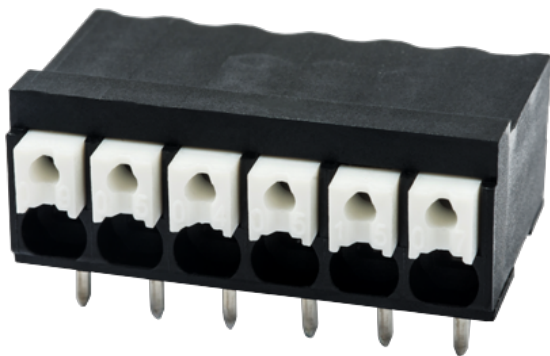


0138-51XX

PCB > PCB

:2026-07-05 :V1



Pitch : 3.50mm, 300V, 12A

		PCB Terminal Blocks, Push-in Design
		PCB Terminal Blocks
(mm)		3.50
		Black (default)
		Push in design
		Without
		Wave soldering
(mm)		$3.50 * (P-1) + 4.2$
(mm)		14
(mm)		8.5
() x () (mm)		0.35x0.7
PCB (mm)		1~1.1
()		02P~24P
		Single level
		PBT
		IIIa



UL 94	V0
	1000M at DC 500V
	COPPER ALLOY
	Tin PLATED

-IEC

(V)	160
(A)	17.5
(II/2)(V)	250
(III/2)(V)	160
(III/3)(V)	160
(II/2)(KV)	2.5
(III/2)(KV)	2.5
(III/3)(KV)	2.5
(mm ²)	0.2
(mm ²)	1.5
(mm ²)	0.2
(mm ²)	1.5
(mm ²) , ,	0.25
(mm ²) , ,	0.75
(mm ²) , ,	0.25
(mm ²) , ,	0.75
Width)(mm) (Blade thickness x	0.4x2.5
	8~9

-UL

(UL/CUL Group B)(V)	300
(UL/CUL Group B)(A)	12
(UL/CUL Group D)(V)	300
(UL/CUL Group D)(A)	10
UL/CUL AWG	28
UL/CUL AWG	16



UL/CUL	AWG	28
UL/CUL	AWG	16

&

가	(YES or NO)	YES
		120
		-40

UL

(Group B)(AWG)		28~16
(Group B)(V)		300
(Group B)(A)		12
(Group D)(AWG)		28~16
(Group D)(V)		300
(Group D)(A)		10

CUL

(Group B)(AWG)		28~16
(Group B)(V)		300
(Group B)(A)		12
(Group D)(AWG)		28~16
(Group D)(V)		300
(Group D)(A)		10

VDE

(mm ²)		0.2~1.5
(V)		160
(A)		17.5

--	--	--

