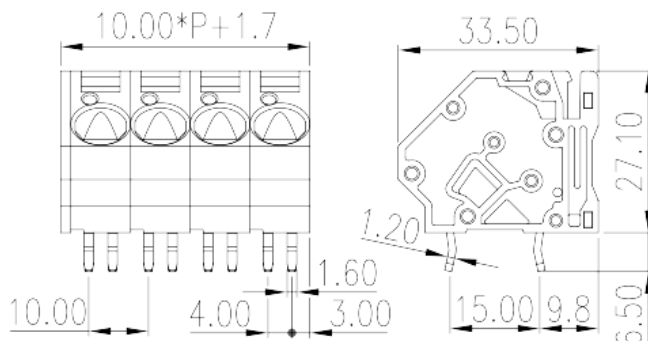
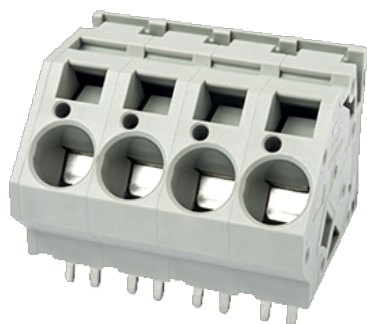


# WSKA100-XXP

PCB > PCB

:2026-07-04 :V1



Pitch : 10.00mm, 300V, 57A

	PCB Terminal Blocks, Spring Clamp Connection
	PCB Terminal Blocks
(mm)	10.00
	Grey (default)
	Spring Clamp Connection
	Without
(mm)	$10.00 \times (P-1) + 11.7$
(mm)	33.5
(mm)	27.1
(    x    ) (mm)	1.2x1.6
PCB (mm)	2.2
(    )	01P~16P
	Single level
	PA
	I
UL 94	V0



	500M at DC 500V
	COPPER ALLOY
	Tin PLATED

**-IEC**

(V)	450
(A)	76
(II/2)(V)	450
(III/2)(V)	320
(III/3)(V)	320
(II/2)(KV)	4
(III/2)(KV)	4
(III/3)(KV)	4
(mm <sup>2</sup> )	0.5
(mm <sup>2</sup> )	16
(mm <sup>2</sup> )	0.5
(mm <sup>2</sup> )	16
(mm <sup>2</sup> )	0.25
(mm <sup>2</sup> )	10
(mm <sup>2</sup> )	0.25
(mm <sup>2</sup> )	10
<sup>2</sup> (mm <sup>2</sup> )	0.5
<sup>2</sup> (mm <sup>2</sup> )	6
Width)(mm) (Blade thickness x	1.0x5.5
	14~15

**-UL**

(UL/CUL Group B)(V)	300
(UL/CUL Group B)(A)	57
(UL/CUL Group D)(V)	300
(UL/CUL Group D)(A)	10



UL/CUL	AWG	24
UL/CUL	AWG	6
UL/CUL	AWG	24
UL/CUL	AWG	6

&

가	(YES or NO)	YES
		120
		-40

### UL

(Group B)(AWG)	24~6
(Group B)(V)	300
(Group B)(A)	57
(Group D)(AWG)	24~6
(Group D)(V)	300
(Group D)(A)	10

### CUL

(Group B)(AWG)	24~6
(Group B)(V)	300
(Group B)(A)	57
(Group D)(AWG)	24~6
(Group D)(V)	300
(Group D)(A)	10

--	--

