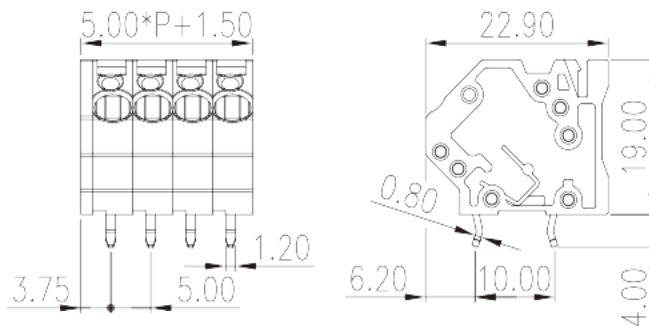
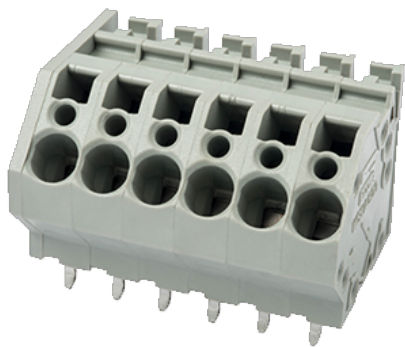


WSKA500S-XXP

PCB > PCB

:2026-07-05 :V1



Pitch : 5.00mm, 300V, 15A

	PCB Terminal Blocks, Spring Clamp Connection
	PCB Terminal Blocks
(mm)	5.00
	Grey (default)
	Spring Clamp Connection
	Without
(mm)	$5.00 * (P-1) + 6.5$
(mm)	22.9
(mm)	19
(x) (mm)	0.8x1.2
PCB (mm)	1.8
()	01P~16P
	Single level
	PA
	I
UL 94	V0



	500M at DC 500V
	COPPER ALLOY
	Tin PLATED

-IEC

(V)	320
(A)	32
(II/2)(V)	630
(III/2)(V)	320
(III/3)(V)	320
(II/2)(KV)	4
(III/2)(KV)	4
(III/3)(KV)	4
(mm ²)	0.5
(mm ²)	4
(mm ²)	0.5
(mm ²)	4
(mm ²)	0.5
(mm ²)	2.5
(mm ²)	0.5
(mm ²)	2.5
² (mm ²)	0.5
² (mm ²)	1.5
Width)(mm) (Blade thickness x	0.4x2.5
	10~11

-UL

(UL/CUL Group B)(V)	300
(UL/CUL Group B)(A)	15
(UL/CUL Group D)(V)	300
(UL/CUL Group D)(A)	10



UL/CUL	AWG	28
UL/CUL	AWG	12
UL/CUL	AWG	28
UL/CUL	AWG	12

&

가	(YES or NO)	YES
		120
		-40

UL

(Group B)(AWG)	28~12
(Group B)(V)	300
(Group B)(A)	15
(Group D)(AWG)	28~12
(Group D)(V)	300
(Group D)(A)	10

CUL

(Group B)(AWG)	28~12
(Group B)(V)	300
(Group B)(A)	15
(Group D)(AWG)	28~12
(Group D)(V)	300
(Group D)(A)	10

--	--

