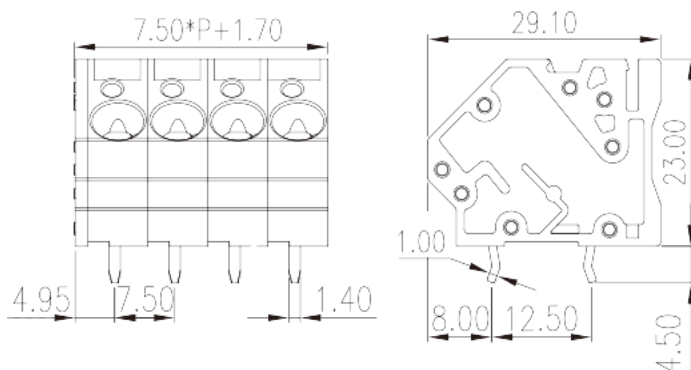
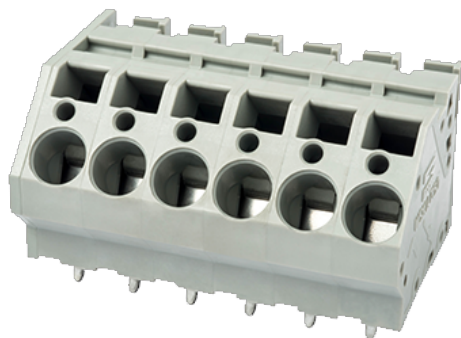


WSKA750S-XXP

PCB > PCB

:2026-07-05 :V1



Pitch : 7.50mm, 300V, 30A

	PCB Terminal Blocks, Spring Clamp Connection
	PCB Terminal Blocks
(mm)	7.50
	Grey (default)
	Spring Clamp Connection
	Without
(mm)	$7.50 * (P-1) + 9.2$
(mm)	29.1
(mm)	23
(x) (mm)	1.0x1.4
PCB (mm)	2.2
()	01P~16P
	Single level
	PA
	I
UL 94	V0



	500M at DC 500V
	COPPER ALLOY
	Tin PLATED

-IEC

(V)	630
(A)	41
(II/2)(V)	1000
(III/2)(V)	630
(III/3)(V)	500
(II/2)(KV)	6
(III/2)(KV)	6
(III/3)(KV)	6
(mm ²)	0.5
(mm ²)	6
(mm ²)	0.5
(mm ²)	6
(mm ²)	0.25
(mm ²)	4
(mm ²)	0.25
(mm ²)	4
² (mm ²)	0.5
² (mm ²)	2.5
Width)(mm) (Blade thickness x	0.8x4.0
	14~15

-UL

(UL/CUL Group B)(V)	300
(UL/CUL Group B)(A)	30
(UL/CUL Group D)(V)	300
(UL/CUL Group D)(A)	10



UL/CUL	AWG	26
UL/CUL	AWG	10
UL/CUL	AWG	26
UL/CUL	AWG	10

&

가	(YES or NO)	YES
		120
		-40

UL

(Group B)(AWG)	26~10
(Group B)(V)	300
(Group B)(A)	30
(Group D)(AWG)	26~10
(Group D)(V)	300
(Group D)(A)	10

CUL

(Group B)(AWG)	26~10
(Group B)(V)	300
(Group B)(A)	30
(Group D)(AWG)	26~10
(Group D)(V)	300
(Group D)(A)	10

--	--

