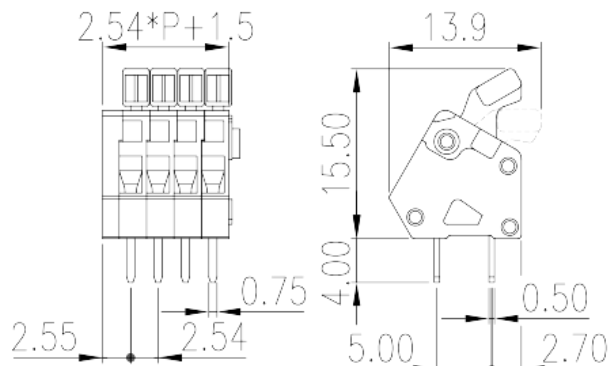


WKA254A-XXP

PCB > PCB

:2026-07-05 :V1



Pitch : 2.54mm, 150V, 4A

	PCB Terminal Blocks, Spring Clamp Connection
	PCB Terminal Blocks
(mm)	2.54
	Grey (default)
	Spring Clamp Connection
	Without
(mm)	$2.54 \times (P-1) + 5.04$
(mm)	12.1
(mm)	15.5
(x) (mm)	0.5x0.75
PCB (mm)	1.1
()	02P~24P
	Single level
	PA
	I
UL 94	V0



	500M at DC 500V
	COPPER ALLOY
	Tin PLATED

-IEC

(V)	160
(A)	6
(II/2)(V)	320
(III/2)(V)	160
(III/3)(V)	80
(II/2)(KV)	2.5
(III/2)(KV)	2.5
(III/3)(KV)	2.5
(mm ²)	0.5
(mm ²)	0.5
(mm ²)	0.5
(mm ²)	0.5
Width)(mm) (Blade thickness x	0.4x2.5
	5~6

-UL

(UL/CUL Group B)(V)	150
(UL/CUL Group B)(A)	4
(UL/CUL Group D)(V)	300
(UL/CUL Group D)(A)	4
UL/CUL AWG	28
UL/CUL AWG	20
UL/CUL AWG	28
UL/CUL AWG	20

&

가 (YES or NO)	YES
	120
	-40

UL

(Group B)(AWG)	28~20
(Group B)(V)	150
(Group B)(A)	4
(Group D)(AWG)	28~20
(Group D)(V)	300
(Group D)(A)	4

CUL

(Group B)(AWG)	28~20
(Group B)(V)	150
(Group B)(A)	4
(Group D)(AWG)	28~20
(Group D)(V)	300
(Group D)(A)	4

VDE

(mm ²)	0.5
(V)	130
(A)	6

