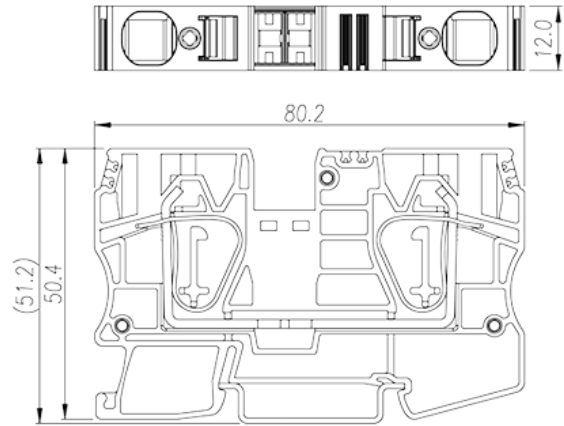
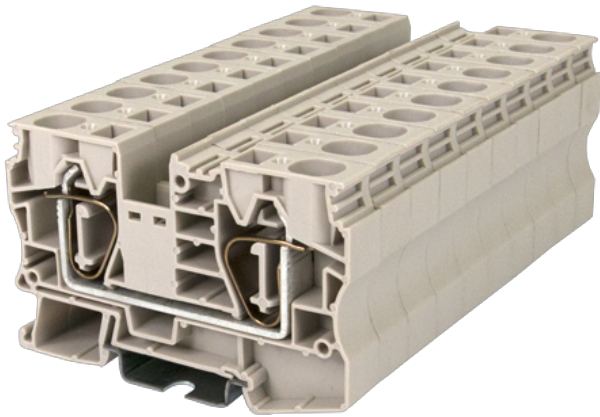


# AK16

DIN Rail Terminal Blocks > Spring Clamp Connection

Date:2026-05-09Version:1.1



The web catalog is for reference only. Dinkle remains the right of product modification and engineering change of the design. The final product is made according to engineering drawing.

## Product Description

600V, 66A, Beige (default)

## General information

|                   |  |
|-------------------|--|
| Short description | DIN Rail terminal blocks, Feed through terminal blocks |
| Category          | Feed through terminal blocks                           |
| Color             | Beige (default)  |
| Connection method | Spring Clamp Connection                                |
| Type of locking   | Rail Mounting  |
| Length (mm)       | 80.2   |
| Width (mm)        | 12   |
| Height (mm)       | 50.4   |
| Level             | Single level   |
| Connection points | 2  |

## Material information

|  |    |
|--|----|
| Insulation material                          | PA |
| Insulation material group                    | I  |
| Flame retardant rating , compliant with UL94 | V0 |

Insulation resistance

 $\geq 500\text{M}\Omega$  at DC 500V

## Connection data-IEC

|   |         |
|---|---------|
| Rated voltage (V)   | 800     |
| Rated current (A)   | 76      |
| Rated voltage (III/3)(V)  | 800     |
| Rated impulse voltage (II/2)(KV)  | 8       |
| Rated impulse voltage (III/2)(KV)   | 8       |
| Rated impulse voltage (III/3)(KV)   | 8       |
| Conductor cross section solid. min (mm <sup>2</sup> )   | 1.5     |
| Conductor cross section solid.max (mm <sup>2</sup> )  | 25      |
| Conductor cross section stranded. min (mm <sup>2</sup> )  | 1.5     |
| Conductor cross section stranded. max (mm <sup>2</sup> )  | 16      |
| Conductor cross section flexible, with min ferrule without plastic sleeve (mm <sup>2</sup> )            | 1.5     |
| Conductor cross section flexible, with max ferrule without plastic sleeve (mm <sup>2</sup> )            | 16      |
| Conductor cross section flexible, with min ferrule with plastic sleeve (mm <sup>2</sup> )               | 1.5     |
| Conductor cross section flexible, with max ferrule with plastic sleeve (mm <sup>2</sup> )               | 16      |
| 2 conductors with same cross section flexible, min twin ferrules with plastic sleeve (mm <sup>2</sup> ) | 1.5     |
| 2 conductors with same cross section flexible, max twin ferrules with plastic sleeve (mm <sup>2</sup> ) | 4       |
| Slotted screwdriver size (Blade thickness x Width)(mm)  | 1.0x5.5 |
| Stripping Length (mm)   | 18      |
| Mounting rail   | TS-35   |
| End cover plate required  | YES     |
| Grounding connections   | NO      |

## Connection data-UL

|   |     |
|---|-----|
| Rated voltage (UL/CUL Group B)(V)               | 600 |
| Rated current (UL/CUL Group B)(A)               | 66  |
| Rated voltage (UL/CUL Group C)(V)               | 600 |
| Rated current (UL/CUL Group C)(A)               | 66  |
| Min. solid wire connection (AWG) acc. to UL/CUL | 24  |
| Max. solid wire connection AWG acc. to UL/CUL   | 4   |

|  |    |
|--|----|
| Min. stranded wire connection AWG acc. to UL/CUL | 24 |
| Max. stranded wire connection AWG acc. to UL/CUL | 4  |

## Environment & Safety

|   |     |
|---|-----|
| Back of the hand protection (YES or NO) | YES |
| Finger protection (YES or NO)           | YES |
| Operating temperature. max (°C)         | 120 |
| Operating temperature. min (°C)         | -40 |

## UL Recognized

|                            |      |
|----------------------------|------|
| Wire Range (Group B)(AWG)  | 24~4 |
| Rated voltage (Group B)(V) | 600  |
| Rated current (Group B)(A) | 66   |
| Wire Range (Group C)(AWG)  | 24~4 |
| Rated voltage (Group C)(V) | 600  |
| Rated current (Group C)(A) | 66   |

## CUL Recognized

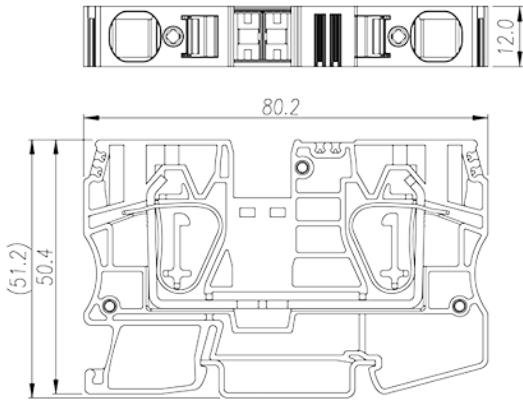
|                            |      |
|----------------------------|------|
| Wire Range (Group B)(AWG)  | 24~4 |
| Rated voltage (Group B)(V) | 600  |
| Rated current (Group B)(A) | 66   |
| Wire Range (Group C)(AWG)  | 24~4 |
| Rated voltage (Group C)(V) | 600  |
| Rated current (Group C)(A) | 66   |

## VDE Approval

|                               |        |
|-------------------------------|--------|
| Wire Range (mm <sup>2</sup> ) | 1.5~16 |
| Rated voltage (V)             | 800    |
| Rated current (A)             | 76     |

## Drawings

|  |  |
|--|--|
|  |  |
|--|--|



## Approvals

