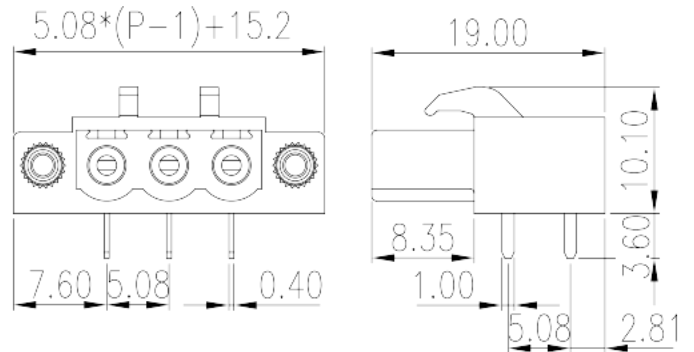
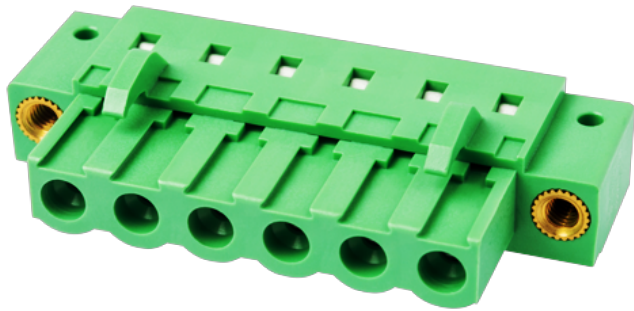


2ESDCRM-XXP

PCB Terminal Blocks > PCB Connector-Plug

Date:2026-07-04Version:V1



The web catalog is for reference only. Dinkle remains the right of product modification and engineering change of the design. The final product is made according to engineering drawing.

Product Description

Pitch : 5.08mm, 300V, 12A

General information

| | |
|--|--------------------------------------|
| Short description | PCB Connector – Plug, Wave soldering |
| Category | PCB Connector – Plug |
| Pitch (mm) | 5.08 |
| Color | Green (default) |
| Type of locking | With threaded flange |
| Soldering method | Wave soldering |
| Length (mm) | $5.08 \times (P-1) + 15.2$ |
| Width (mm) | 19 |
| Height (mm) | 10.1 |
| Pin demensions (Thickness x Width)(mm) | 0.4x1.0 |
| PCB hole diameter (mm) | 1.3~1.5 |
| Number of positions | 02P~20P |
| Level | Single level |

Material information

| | |
|---------------------|----|
| Insulation material | PA |
|---------------------|----|

| | |
|--|-------------------|
| Insulation material group | I |
| Flame retardant rating , compliant with UL94 | V0 |
| Insulation resistance | □500MΩ at DC 500V |
| Conductor material | COPPER ALLOY |
| Plating of conductor surface | Tin PLATED |

Connection data-IEC

| | |
|-----------------------------------|-----|
| Rated voltage (V) | 630 |
| Rated current (A) | 18 |
| Rated voltage (II/2)(V) | 630 |
| Rated voltage (III/2) (V) | 320 |
| Rated voltage (III/3)(V) | 320 |
| Rated impulse voltage (II/2)(KV) | 4 |
| Rated impulse voltage (III/2)(KV) | 4 |
| Rated impulse voltage (III/3)(KV) | 4 |

Connection data-UL

| | |
|-----------------------------------|-----|
| Rated voltage (UL/CUL Group B)(V) | 300 |
| Rated current (UL/CUL Group B)(A) | 12 |
| Rated voltage (UL/CUL Group D)(V) | 300 |
| Rated current (UL/CUL Group D)(A) | 10 |

Environment & Safety

| | |
|---------------------------------|-----|
| Finger protection (YES or NO) | YES |
| Operating temperature. max (°C) | 120 |
| Operating temperature. min (°C) | -40 |

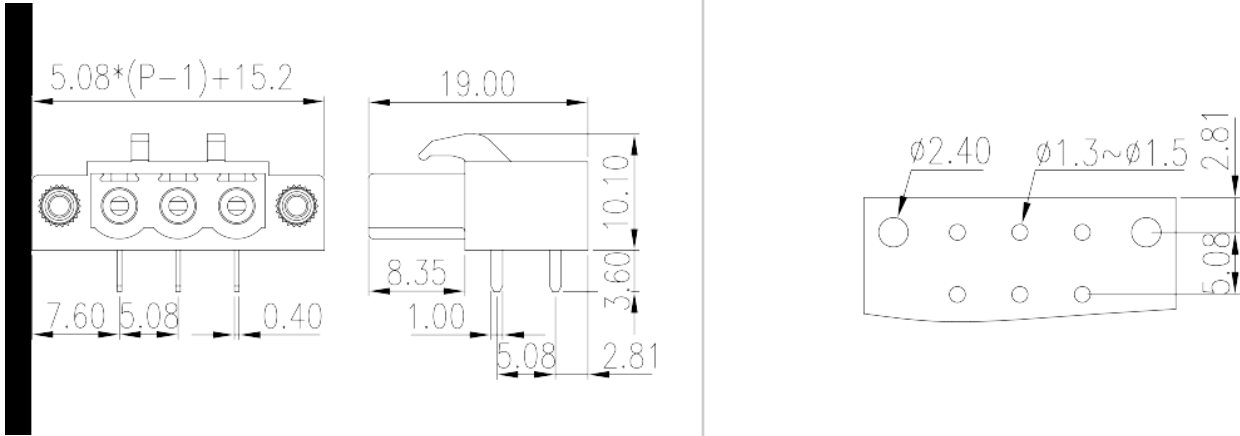
UL Recognized

| | |
|----------------------------|-----|
| Rated voltage (Group B)(V) | 300 |
| Rated current (Group B)(A) | 12 |

CUL Recognized

| | |
|----------------------------|-----|
| Rated voltage (Group B)(V) | 300 |
| Rated current (Group B)(A) | 12 |

Drawings



Approvals

