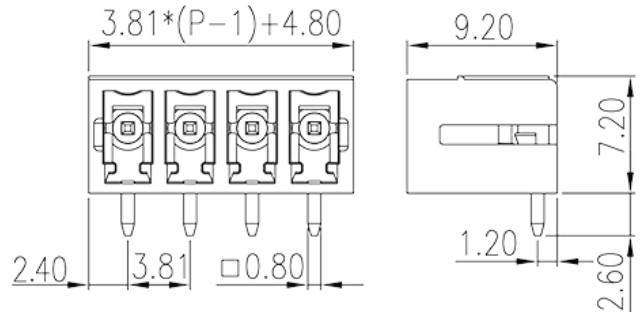


# ECH381RR-XXPL

PCB Terminal Blocks &gt; PCB Connector-Socket

Date:2026-07-04Version:V1



The web catalog is for reference only. Dinkle remains the right of product modification and engineering change of the design. The final product is made according to engineering drawing.

## Product Description

Pitch : 3.81 mm, 300V, 8A

## General information

|  |   |
|--|---|
| Short description                      | PCB Connector – Socket, Reflow soldering  |
| Category                               | PCB Connector – Socket  |
| Pitch (mm)                             | 3.81  |
| Color                                  | Black (default)   |
| Type of locking                        | Without   |
| Soldering method                       | Reflow Soldering (Temperature condition according to standard IPC/JEDEC J-STD-020E) |
| Length (mm)                            | $3.81*(P-1)+4.8$  |
| Width (mm)                             | 9.2   |
| Height (mm)                            | 7.2   |
| Pin demensions (Thickness x Width)(mm) | 0.8x0.8   |
| PCB hole diameter (mm)                 | 1.4   |
| Number of positions                    | 02P~24P   |
| Level                                  | Single level  |

## Material information

|  |                           |
|--|---------------------------|
| Insulation material                          | HIGH-TEMPERATURE PLASTICS |
| Insulation material group                    | IIIa                      |
| Flame retardant rating , compliant with UL94 | V0                        |
| Insulation resistance                        | □500MΩ at DC 500V         |
| Conductor material                           | COPPER ALLOY              |
| Plating of conductor surface                 | Tin PLATED                |
| MSL  | 1                         |

## Connection data-IEC

|                                   |     |
|-----------------------------------|-----|
| Rated voltage (V)                 | 320 |
| Rated current (A)                 | 14  |
| Rated voltage (II/2)(V)           | 320 |
| Rated voltage (III/2) (V)         | 160 |
| Rated voltage (III/3)(V)          | 160 |
| Rated impulse voltage (II/2)(KV)  | 2.5 |
| Rated impulse voltage (III/2)(KV) | 2.5 |
| Rated impulse voltage (III/3)(KV) | 2.5 |

## Connection data-UL

|                                   |     |
|-----------------------------------|-----|
| Rated voltage (UL/CUL Group B)(V) | 300 |
| Rated current (UL/CUL Group B)(A) | 8   |
| Rated voltage (UL/CUL Group D)(V) | 300 |
| Rated current (UL/CUL Group D)(A) | 8   |

## Environment & Safety

|                                 |     |
|---------------------------------|-----|
| Finger protection (YES or NO)   | YES |
| Operating temperature. max (°C) | 120 |
| Operating temperature. min (°C) | -40 |

## UL Recognized

|                            |     |
|----------------------------|-----|
| Rated voltage (Group B)(V) | 300 |
| Rated current (Group B)(A) | 8   |
| Rated voltage (Group D)(V) | 300 |
| Rated current (Group D)(A) | 8   |

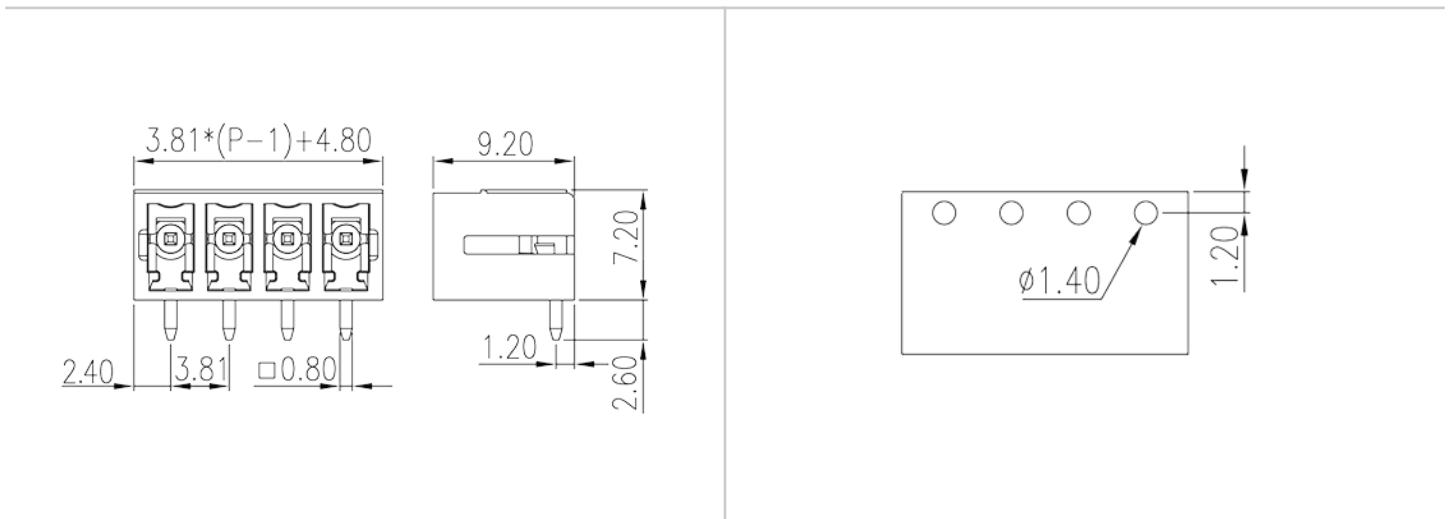
## CUL Recognized

|                            |     |
|----------------------------|-----|
| Rated voltage (Group B)(V) | 300 |
| Rated current (Group B)(A) | 8   |
| Rated voltage (Group D)(V) | 300 |
| Rated current (Group D)(A) | 8   |

### VDE Approval

|                   |     |
|-------------------|-----|
| Rated voltage (V) | 320 |
| Rated current (A) | 14  |

### Drawings



### Approvals

