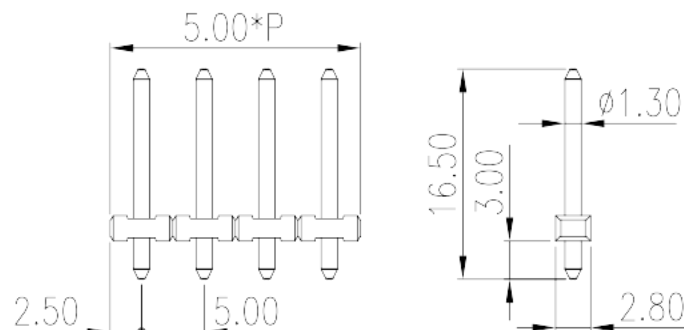


# 0191-12XXTH

PCB Terminal Blocks > PCB Connector-Socket

Date:2026-05-10



The web catalog is for reference only. Dinkle remains the right of product modification and engineering change of the design. The final product is made according to engineering drawing.

## Product Description

Pitch : 5.00mm, 300V, 5A

## General information

Short description	PCB Connector
Category	PCB Connector-Socket
Pitch (mm)	5.00
Color	Black (default)
Type of locking	Without
Soldering method	Reflow Soldering (Temperature condition according to standard IPC/JEDEC J-STD-020E)
Length (mm)	5.00*P
Width (mm)	2.8
Height (mm)	16.5
Pin demensions (Thickness x Width)(mm)	1.3
PCB hole diameter (mm)	1.6
Number of positions	02P~20P
Level	Single level

## Material information

Insulation material	HIGH-TEMPERATURE PLASTICS
Insulation material group	IIIa
Flame retardant rating , compliant with UL94	V0
Insulation resistance	□500MΩ at DC 500V
Conductor material	COPPER ALLOY
Plating of conductor surface	Tin PLATED
MSL	4

### Connection data-IEC

Rated voltage (V)	320
Rated current (A)	4
Rated voltage (II/2)(V)	630
Rated voltage (III/2) (V)	320
Rated voltage (III/3)(V)	250
Rated impulse voltage (II/2)(KV)	4
Rated impulse voltage (III/2)(KV)	4
Rated impulse voltage (III/3)(KV)	4

### Connection data-UL

Rated voltage (UL/CUL Group B)(V)	300
Rated current (UL/CUL Group B)(A)	5
Rated voltage (UL/CUL Group D)(V)	300
Rated current (UL/CUL Group D)(A)	5

### Environment & Safety

Operating temperature. max (°C)	120
Operating temperature. min (°C)	-40

### UL Recognized

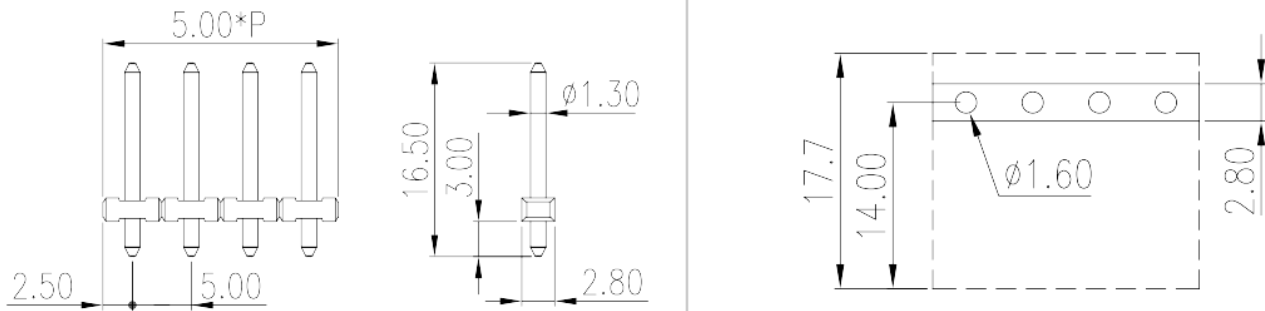
Rated voltage (Group B)(V)	300
Rated current (Group B)(A)	5
Rated voltage (Group D)(V)	300
Rated current (Group D)(A)	5

### CUL Recognized

--	--

Rated voltage (Group B)(V)	300
Rated current (Group B)(A)	5
Rated voltage (Group D)(V)	300
Rated current (Group D)(A)	5

## Drawings



## Approvals

