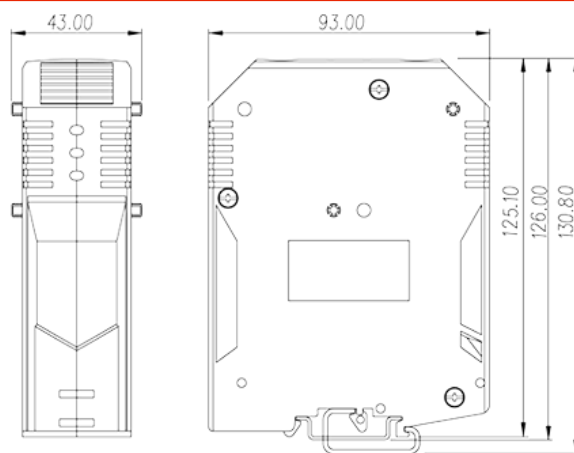


DK240

DIN Rail Terminal Blocks > Screw Connection

Date:2026-05-09Version:1.2



The web catalog is for reference only. Dinkle remains the right of product modification and engineering change of the design. The final product is made according to engineering drawing.

Product Description

M10, 600V, 370A, Beige (default)

General information

Short description	DIN rail terminal blocks, Feed through terminal blocks
Category	Feed through terminal blocks
Color	Beige (default)
Connection method	Screw connection
Type of locking	Rail mounting
Length (mm)	93
Width (mm)	43
Height (mm)	125.1
Number of positions	□1P
Level	Single level
Connection points	2

Material information

Insulation material	PA
Insulation material group	I
Flame retardant rating , compliant with UL94	V0

Insulation resistance

 $\geq 500M\Omega$ at DC 500V

Connection data-IEC

Rated voltage (V)	1000
Rated current (A)	415
Rated voltage (III/3)(V)	1000
Rated impulse voltage (II/2)(KV)	8
Rated impulse voltage (III/2)(KV)	8
Rated impulse voltage (III/3)(KV)	8
Conductor cross section solid. min (mm ²)	95
Conductor cross section solid.max (mm ²)	240
Conductor cross section stranded. min (mm ²)	95
Conductor cross section stranded. max (mm ²)	240
Conductor cross section flexible, with min ferrule without plastic sleeve (mm ²)	95
Conductor cross section flexible, with max ferrule without plastic sleeve (mm ²)	185
Conductor cross section flexible, with min ferrule with plastic sleeve (mm ²)	95
Conductor cross section flexible, with max ferrule with plastic sleeve (mm ²)	185
2 conductors with same cross section, solid, min (mm ²)	95
2 conductors with same cross section, solid, max (mm ²)	95
2 conductors with same cross section, stranded, min (mm ²)	95
2 conductors with same cross section, stranded, max (mm ²)	95
2 conductors with same cross section flexible, with min ferrule without plastic sleeve (mm ²)	95
2 conductors with same cross section flexible, with max ferrule without plastic sleeve (mm ²)	50
2 conductors with same cross section flexible, min twin ferrules with plastic sleeve (mm ²)	50
2 conductors with same cross section flexible, max twin ferrules with plastic sleeve (mm ²)	50
Screw thread	M10
Slotted screwdriver size (Blade thickness x Width)(mm)	Hex socket 8
Philips screwdriver size	Hex socket 8
Rated torque (N.m)	18.6

Stripping Length (mm)	30~40
Mounting rail	TS-35
End cover plate required	NO
Grounding connections	NO

Connection data-UL

Rated voltage (UL/CUL Group B)(V)	600
Rated current (UL/CUL Group B)(A)	370
Rated voltage (UL/CUL Group C)(V)	600
Rated current (UL/CUL Group C)(A)	370
Rated voltage (UL/CUL Group D)(V)	600
Rated current (UL/CUL Group D)(A)	370
Min. solid wire connection (AWG) acc. to UL/CUL	300
Max. solid wire connection AWG acc. to UL/CUL	500
Min. stranded wire connection AWG acc. to UL/CUL	300
Max. stranded wire connection AWG acc. to UL/CUL	500

Environment & Safety

Back of the hand protection (YES or NO)	YES
Finger protection (YES or NO)	NO
Operating temperature. max (°C)	120
Operating temperature. min (°C)	-40

UL Recognized

Wire Range (Group B)(AWG)	300~500
Rated voltage (Group B)(V)	600
Rated current (Group B)(A)	370
Wire Range (Group C)(AWG)	300~500
Rated voltage (Group C)(V)	600
Rated current (Group C)(A)	370
Wire Range (Group D)(AWG)	300~500
Rated voltage (Group D)(V)	600
Rated current (Group D)(A)	370

CUL Recognized

Wire Range (Group B)(AWG)	300~500
Rated voltage (Group B)(V)	600
Rated current (Group B)(A)	370
Wire Range (Group C)(AWG)	300~500
Rated voltage (Group C)(V)	600
Rated current (Group C)(A)	370
Wire Range (Group D)(AWG)	300~500
Rated voltage (Group D)(V)	600
Rated current (Group D)(A)	370

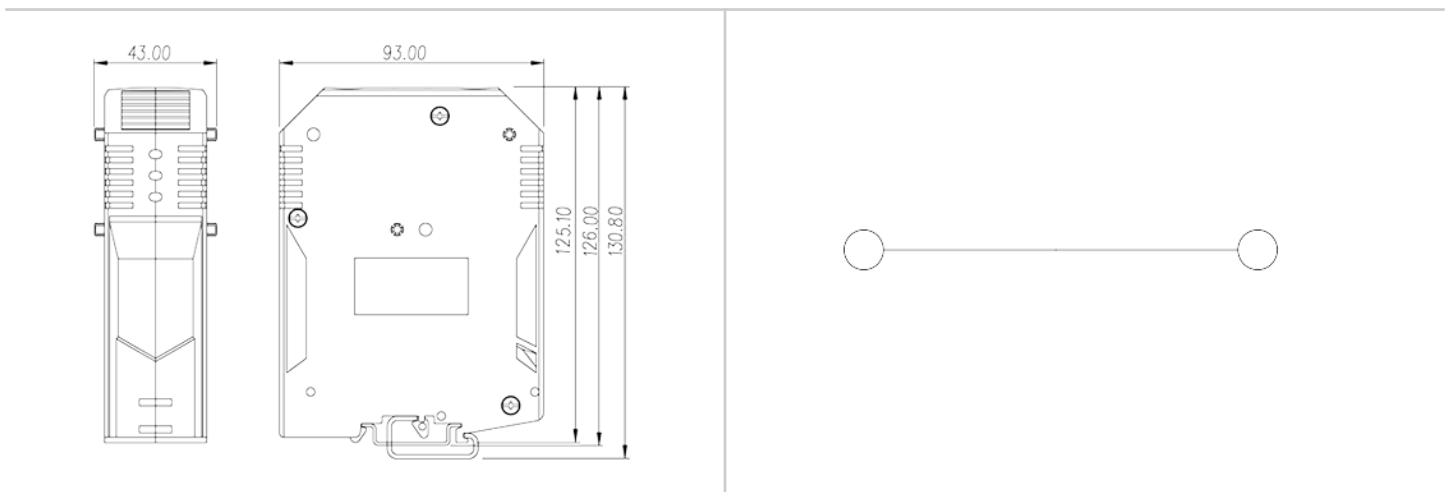
VDE Approval

Wire Range (mm ²)	95~240
Rated voltage (V)	1000
Rated current (A)	415

Explosion - proof Approvals

Wire Range (mm ²)	95~240
Rated voltage (V)	1000
Rated current (A)	415

Drawings



Approvals

