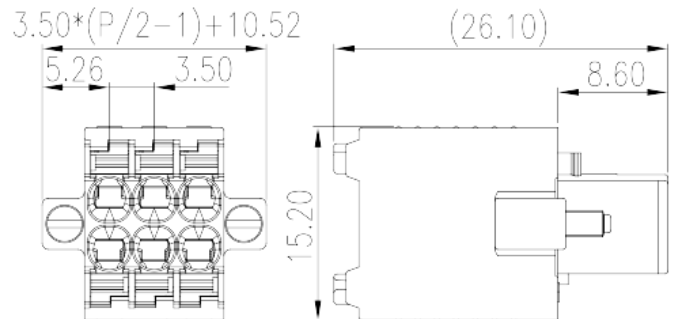
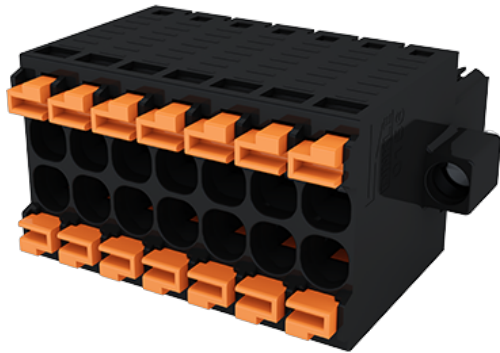


# 0156-9AXX

PCB Terminal Blocks &gt; PCB Connector-Plug

Date:2026-05-09



The web catalog is for reference only. Dinkle remains the right of product modification and engineering change of the design. The final product is made according to engineering drawing.

## Product Description

Pitch : 3.50mm, 300V, 10A

## General information

|                     |                                    |
|---------------------|------------------------------------|
| Short description   | PCB Connector Plug, Push-in Design |
| Category            | PCB Connector – Plug               |
| Pitch (mm)          | 3.50                               |
| Color               | Black (default)                    |
| Connection method   | Push in Design                     |
| Type of locking     | With screw flange                  |
| Length (mm)         | $3.50 \times (P/2 - 1) + 10.52$    |
| Width (mm)          | 15.2                               |
| Height (mm)         | 26.1                               |
| Number of positions | 04P~40P                            |
| Level               | Double level                       |

## Material information

|  |    |
|--|----|
| Insulation material                          | PA |
| Insulation material group                    | I  |
| Flame retardant rating , compliant with UL94 | V0 |

|                              |                               |
|------------------------------|-------------------------------|
| Insulation resistance        | □500MΩ at DC 500V             |
| Conductor material           | HIGH PERFORMANCE COPPER ALLOY |
| Plating of conductor surface | Tin PLATED                    |

## Connection data-IEC

|   |         |
|---|---------|
| Rated voltage (V)   | 320     |
| Rated current (A)   | 10      |
| Rated voltage (II/2)(V)   | 320     |
| Rated voltage (III/2) (V)   | 160     |
| Rated voltage (III/3)(V)  | 160     |
| Rated impulse voltage (II/2)(KV)  | 2.5     |
| Rated impulse voltage (III/2)(KV)   | 2.5     |
| Rated impulse voltage (III/3)(KV)   | 2.5     |
| Conductor cross section solid. min (mm <sup>2</sup> )   | 0.2     |
| Conductor cross section solid.max (mm <sup>2</sup> )  | 1.5     |
| Conductor cross section stranded. min (mm <sup>2</sup> )  | 0.2     |
| Conductor cross section stranded. max (mm <sup>2</sup> )  | 1.5     |
| Conductor cross section flexible, with min ferrule without plastic sleeve (mm <sup>2</sup> )            | 0.25    |
| Conductor cross section flexible, with max ferrule without plastic sleeve (mm <sup>2</sup> )            | 1       |
| Conductor cross section flexible, with min ferrule with plastic sleeve (mm <sup>2</sup> )               | 0.25    |
| Conductor cross section flexible, with max ferrule with plastic sleeve (mm <sup>2</sup> )               | 0.75    |
| 2 conductors with same cross section flexible, min twin ferrules with plastic sleeve (mm <sup>2</sup> ) | 0.75    |
| 2 conductors with same cross section flexible, max twin ferrules with plastic sleeve (mm <sup>2</sup> ) | 0.75    |
| Slotted screwdriver size (Blade thickness x Width)(mm)  | 0.4x2.5 |
| Tightening torque with flange. max (N.m)  | 0.2     |
| Stripping Length (mm)   | 11~12   |

## Connection data-UL

|                                   |     |
|-----------------------------------|-----|
| Rated voltage (UL/CUL Group B)(V) | 300 |
| Rated current (UL/CUL Group B)(A) | 10  |
| Rated voltage (UL/CUL Group D)(V) | 300 |
| Rated current (UL/CUL Group D)(A) | 10  |

|  |    |
|--|----|
| Min. solid wire connection (AWG) acc. to UL/CUL  | 26 |
| Max. solid wire connection AWG acc. to UL/CUL    | 16 |
| Min. stranded wire connection AWG acc. to UL/CUL | 26 |
| Max. stranded wire connection AWG acc. to UL/CUL | 16 |

## Environment & Safety

|                                 |     |
|---------------------------------|-----|
| Finger protection (YES or NO)   | YES |
| Operating temperature. max (°C) | 120 |
| Operating temperature. min (°C) | -40 |

## UL Recognized

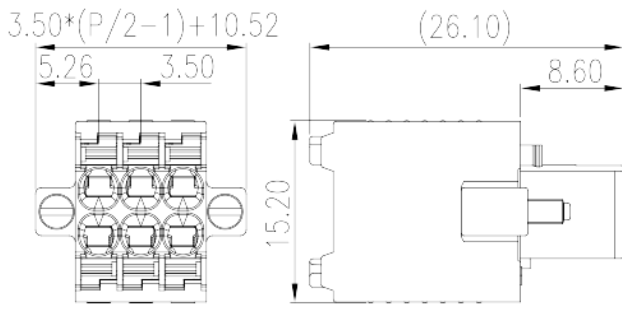
|                            |       |
|----------------------------|-------|
| Wire Range (Group B)(AWG)  | 26~16 |
| Rated voltage (Group B)(V) | 300   |
| Rated current (Group B)(A) | 10    |
| Wire Range (Group D)(AWG)  | 26~16 |
| Rated voltage (Group D)(V) | 300   |
| Rated current (Group D)(A) | 10    |

## CUL Recognized

|                            |       |
|----------------------------|-------|
| Wire Range (Group B)(AWG)  | 26~16 |
| Rated voltage (Group B)(V) | 300   |
| Rated current (Group B)(A) | 10    |
| Wire Ranget (Group D)(AWG) | 26~16 |
| Rated voltage (Group D)(V) | 300   |
| Rated current (Group D)(A) | 10    |

## Drawings

|  |  |
|--|--|
|  |  |
|--|--|



## Approvals

