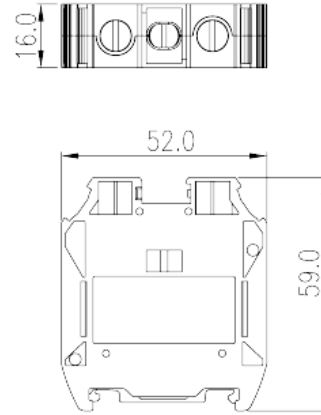
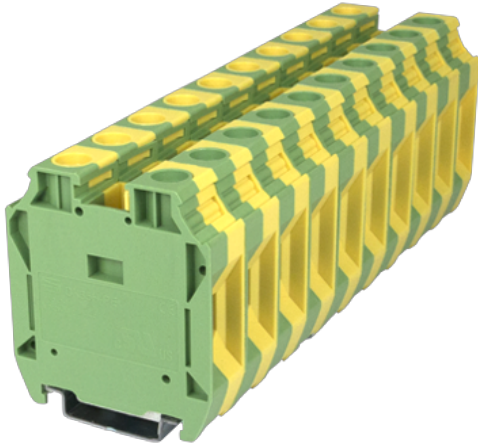


# DK35H-PE

DIN Rail Terminal Blocks &gt; Screw Connection

Date:2026-07-04Version:1.2



The web catalog is for reference only. Dinkle remains the right of product modification and engineering change of the design. The final product is made according to engineering drawing.

## Product Description

M6, 600V, Yellow-Green (default)

## General information

Short description	Grounding Terminal Block, Screw Connection
Category	Grounding Terminal Block
Pitch (mm)	16
Color	Yellow-Green (default)
Connection method	Screw Connection
Type of locking	Rail mounting
Length (mm)	52
Width (mm)	16
Height (mm)	59
Number of positions	□1P
Level	Single level
Connection points	2

## Material information

Insulation material	PA
Insulation material group	I

Flame retardant rating , compliant with UL94	V0
Insulation resistance	□500MΩ at DC 500V

## Connection data-IEC

Rated voltage (V)	1000
Rated voltage (III/3)(V)	1000
Rated impulse voltage (III/3)(KV)	8
Conductor cross section solid. min (mm <sup>2</sup> )	2.5
Conductor cross section solid.max (mm <sup>2</sup> )	35 ( for copper rail ) 25 ( for steel rail )
Conductor cross section stranded. min (mm <sup>2</sup> )	2.5
Conductor cross section stranded. max (mm <sup>2</sup> )	35 ( for copper rail ) 25 ( for steel rail )
Conductor cross section flexible, with min ferrule without plastic sleeve (mm <sup>2</sup> )	2.5
Conductor cross section flexible, with max ferrule without plastic sleeve (mm <sup>2</sup> )	35 ( for copper rail ) 25 ( for steel rail )
Conductor cross section flexible, with min ferrule with plastic sleeve (mm <sup>2</sup> )	2.5
Conductor cross section flexible, with max ferrule with plastic sleeve (mm <sup>2</sup> )	35 ( for copper rail ) 25 ( for steel rail )
2 conductors with same cross section, solid, min (mm <sup>2</sup> )	2.5
2 conductors with same cross section, solid, max (mm <sup>2</sup> )	16
2 conductors with same cross section, stranded, min (mm <sup>2</sup> )	2.5
2 conductors with same cross section, stranded, max (mm <sup>2</sup> )	10
2 conductors with same cross section flexible, with min ferrule without plastic sleeve (mm <sup>2</sup> )	2.5
2 conductors with same cross section flexible, with max ferrule without plastic sleeve (mm <sup>2</sup> )	10
2 conductors with same cross section flexible, min twin ferrules with plastic sleeve (mm <sup>2</sup> )	2.5
2 conductors with same cross section flexible, max twin ferrules with plastic sleeve (mm <sup>2</sup> )	10
Screw thread	M6 ( wire ) M4 ( rail )
Slotted screwdriver size (Blade thickness x Width)(mm)	1.0x5.5
Rated torque (N.m)	3.5 ( wire ) 1.2 ( rail )
Stripping Length (mm)	16~18
Mounting rail	TS-35 · TS-35/15
End cover plate required	NO

Grounding connections	YES
-----------------------	-----

## Connection data-UL

Rated voltage (UL/CUL Group B)(V)	600
Rated voltage (UL/CUL Group C)(V)	600
Min. solid wire connection (AWG) acc. to UL/CUL	12
Max. solid wire connection AWG acc. to UL/CUL	1 ( for copper rail ) 2 ( for steel rail )
Min. stranded wire connection AWG acc. to UL/CUL	12
Max. stranded wire connection AWG acc. to UL/CUL	1 ( for copper rail ) 2 ( for steel rail )

## Environment & Safety

Back of the hand protection (YES or NO)	YES
Finger protection (YES or NO)	YES
Operating temperature. max (°C)	120
Operating temperature. min (°C)	-40

## UL Recognized

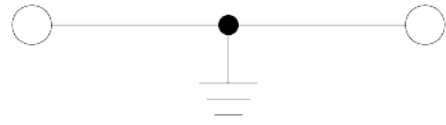
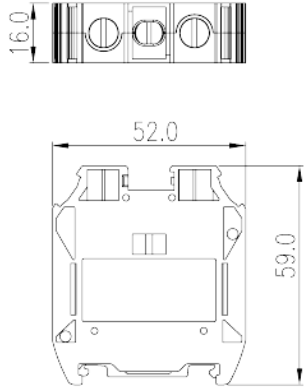
Wire Range (Group B)(AWG)	12~1 ( for copper rail ) 12~2 ( for steel rail )
Rated voltage (Group B)(V)	600
Wire Range (Group C)(AWG)	12~1 ( for copper rail ) 12~2 ( for steel rail )
Rated voltage (Group C)(V)	600

## CUL Recognized

Wire Range (Group B)(AWG)	12~1 ( for copper rail ) 12~2 ( for steel rail )
Rated voltage (Group B)(V)	600
Wire Range (Group C)(AWG)	12~1 ( for copper rail ) 12~2 ( for steel rail )
Rated voltage (Group C)(V)	600

## Drawings

--	--



## Approvals

