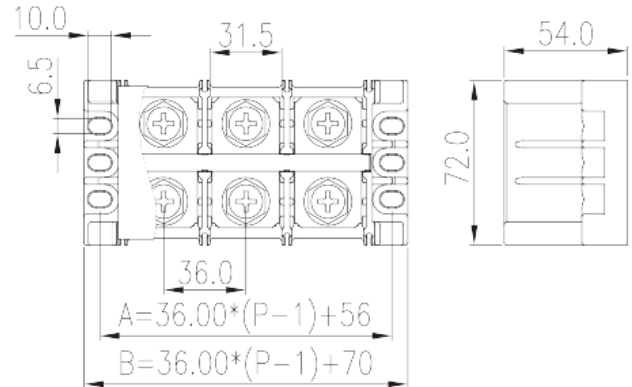
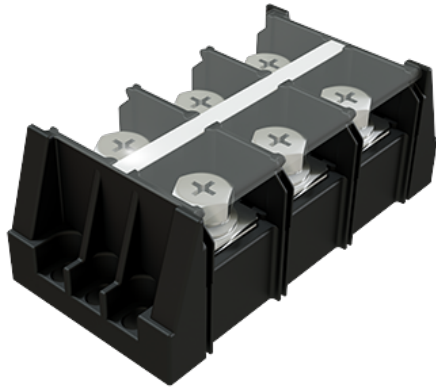


DKBH285-XXPCK

NEMA Terminal Blocks > Panel Mounting

Date:2026-05-09



The web catalog is for reference only. Dinkle remains the right of product modification and engineering change of the design. The final product is made according to engineering drawing.

Product Description

1500V, 300A, Beige (default)

General information

| | |
|---------------------|----------------------------------|
| Short description | Panel Mounting, Screw Connection |
| Category | Panel Mounting |
| Color | Black (default) |
| Connection method | Screw Connection |
| Length (mm) | $36.00*(P-1)+70$ |
| Width (mm) | 72 |
| Height (mm) | 54 |
| Number of positions | 02P~08P |
| Level | Single level |
| Connection points | 4~16 |

Material information

| | |
|--|----------------------------------|
| Insulation material | PBT |
| Insulation material group | IIIa |
| Flame retardant rating , compliant with UL94 | V0 |
| Insulation resistance | $\square 1000M\Omega$ at DC 500V |

| | |
|------------------------------|--------------|
| Conductor material | COPPER ALLOY |
| Plating of conductor surface | Ni PLATED |

Connection data-IEC

| | |
|--|--|
| Rated voltage (V) | 1500 |
| Rated current (A) | 309 |
| Rated voltage (III/3)(V) | 1500 |
| Rated impulse voltage (III/3)(KV) | 8 |
| Conductor cross section stranded. min (mm ²) | 6 |
| Conductor cross section stranded. max (mm ²) | 150 |
| Screw thread | M10 |
| Philips screwdriver size | SW17 |
| Recommend tightening torque. min (N.m) | 12 |
| Recommend tightening torque. max (N.m) | 16 |
| Stripping Length (mm) | The stripping length depends on the specification provided by the cable lug manufacturer |
| End cover plate required | NO |
| Grounding connections | NO |

Connection data-UL

| | |
|--|---------------------|
| Rated voltage (UL/CUL Group E)(V) | 1500 |
| Rated current (UL/CUL Group E)(A) | 285(FW2) & 300(FW1) |
| Min. stranded wire connection AWG acc. to UL/CUL | 8 |
| Max. stranded wire connection AWG acc. to UL/CUL | 300(kcmil) |

Environment & Safety

| | |
|---|-----|
| Back of the hand protection (YES or NO) | YES |
| Finger protection (YES or NO) | NO |
| Operating temperature. max (°C) | 125 |
| Operating temperature. min (°C) | -40 |

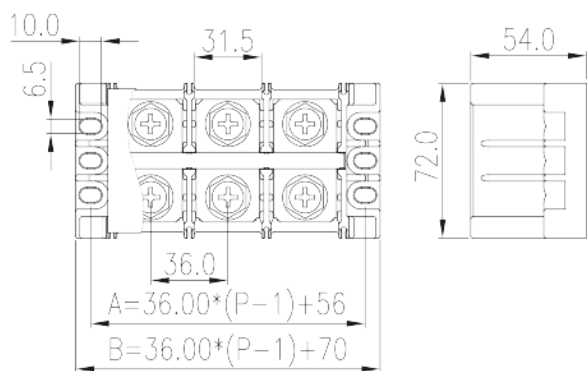
UL Recognized

| | |
|----------------------------|-------------------|
| Wire Range (Group E)(AWG) | 8~300(kcmil) |
| Rated voltage (Group E)(V) | 1500 |
| Rated current (Group E)(A) | 285(FW2),300(FW1) |

CUL Recognized

| | |
|----------------------------|--------------|
| Wire Range (Group C)(AWG) | 8~300(kcmil) |
| Rated voltage (Group C)(V) | 1500 |
| Rated current (Group C)(A) | 285(FW2) |

Drawings



Approvals

