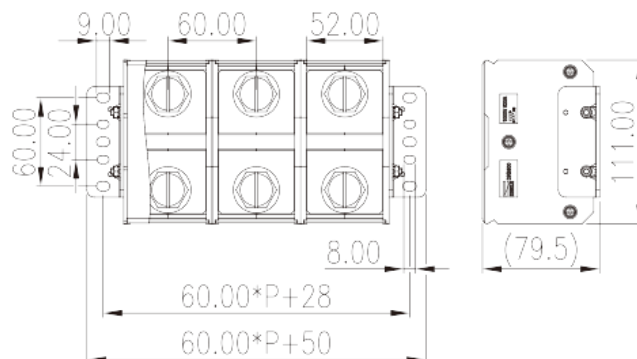


# DKB500-XXPCK

NEMA Terminal Blocks > Panel Mounting

Date:2026-07-04



The web catalog is for reference only. Dinkle remains the right of product modification and engineering change of the design. The final product is made according to engineering drawing.

## Product Description

Pitch : 60.00mm, M16, 1000V, 620A

## General information

Short description	Panel Mounting, Screw Connection
Category	Panel Mounting
Pitch (mm)	60.00
Color	Refer to drawing
Connection method	Screw connection
Type of locking	Panel Mounting
Length (mm)	60*P+50
Width (mm)	111
Height (mm)	Refer to drawing
Level	Single level
Connection points	2~24

## Material information

Insulation material	PC
Insulation material group	IIIa
Flame retardant rating , compliant with UL94	V2

Insulation resistance	□1000MΩ at DC 500V
Conductor material	COPPER ALLOY
Plating of conductor surface	Ni PLATED

### Connection data-IEC

Rated voltage (V)	1000
Rated current (A)	520
Rated voltage (III/3)(V)	1000
Rated impulse voltage (III/3)(KV)	8
Screw thread	M16
Slotted screwdriver size (Blade thickness x Width)(mm)	1.6x8
Rated torque (N.m)	10
Stripping Length (mm)	The stripping length depends on the specification provided by the cable lug manufacturer
Grounding connections	NO

### Connection data-UL

Rated voltage (UL/CUL Group C)(V)	1000
Rated current (UL/CUL Group C)(A)	475 (350 ~750 )kcmil 620 2X(250~350)kcmil
Rated voltage (UL/CUL Group E)(V)	1000
Rated current (UL/CUL Group E)(A)	475 (350 ~750 )kcmil 620 2X(250~350)kcmil
Min. solid wire connection (AWG) acc. to UL/CUL	350 kcmil/2x250 kcmil
Max. solid wire connection AWG acc. to UL/CUL	750 kcmil/2x350 kcmil

### Environment & Safety

Back of the hand protection (YES or NO)	YES
Finger protection (YES or NO)	NO
Operating temperature. max (°C)	125
Operating temperature. min (°C)	-40

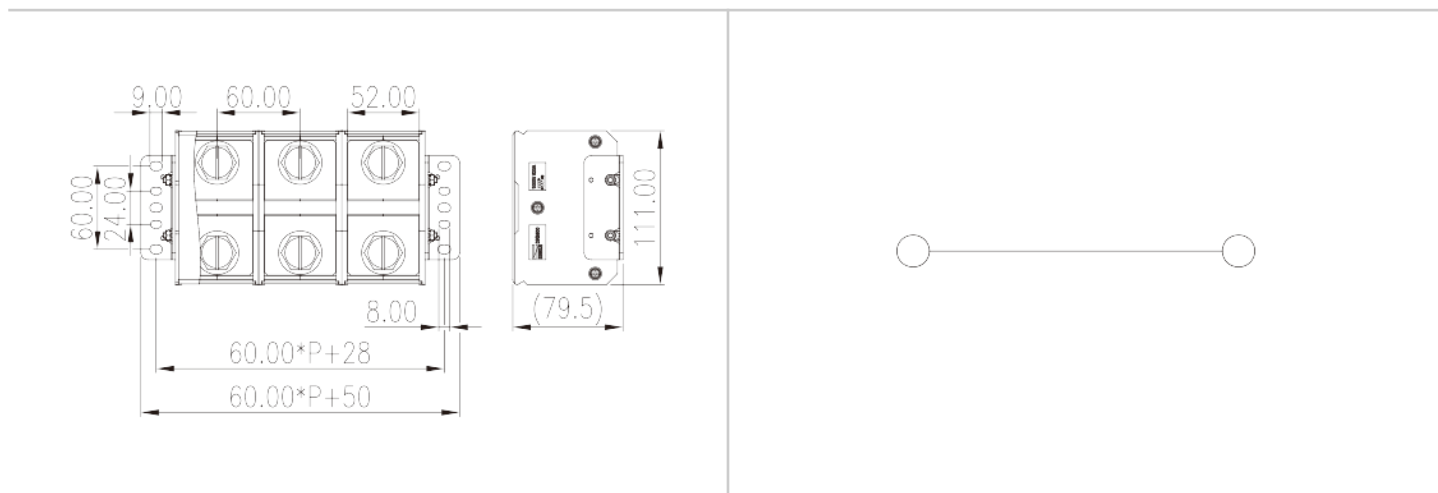
### UL Recognized

Wire Range (Group E)(AWG)	350~750kcmil 2x ( 250~350 ) kcmil
Rated voltage (Group E)(V)	1000
Rated current (Group E)(A)	475 (350 ~750 )kcmil 620 2X(250~350)kcmil

### CUL Recognized

Wire Range (Group C)(AWG)	350~750kcmil 2x ( 250~350 ) kcmil
Rated voltage (Group C)(V)	1000
Rated current (Group C)(A)	475 (350 ~750 )kcmil) 620 2X(250~350)kcmil

## Drawings



## Approvals

