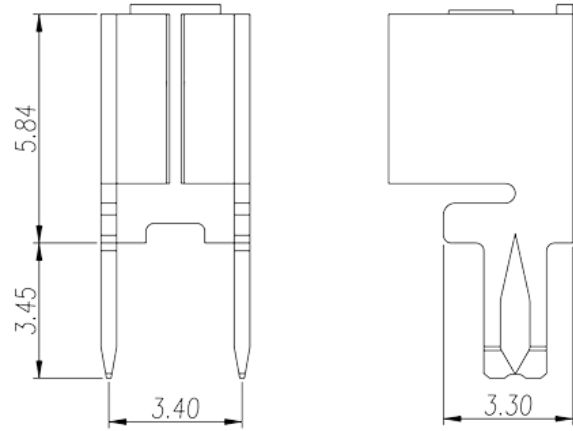


# P-620

Barrier Terminal Blocks > Wire Terminal

Date:2026-05-09Version:1.2



The web catalog is for reference only. Dinkle remains the right of product modification and engineering change of the design. The final product is made according to engineering drawing.

## Product Description

Pitch : 3.40mm, 0.4x1.6mm, 20A

## General information

|                                        |                                                |
|----------------------------------------|------------------------------------------------|
| Short description                      | Barrier terminal blocks, Quick terminal blocks |
| Category                               | Quick terminal blocks                          |
| Pitch (mm)                             | 3.40                                           |
| Pin demensions (Thickness x Width)(mm) | 0.4x1.6                                        |

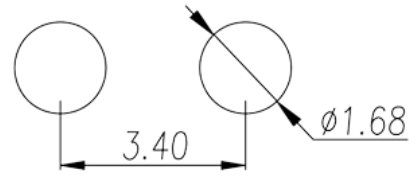
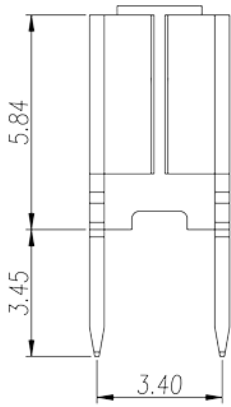
## Material information

|                              |              |
|------------------------------|--------------|
| Conductor material           | COPPER ALLOY |
| Plating of conductor surface | Tin PLATED   |

## Connection data-IEC

|                   |    |
|-------------------|----|
| Rated current (A) | 20 |
|-------------------|----|

## Drawings



## Approvals

