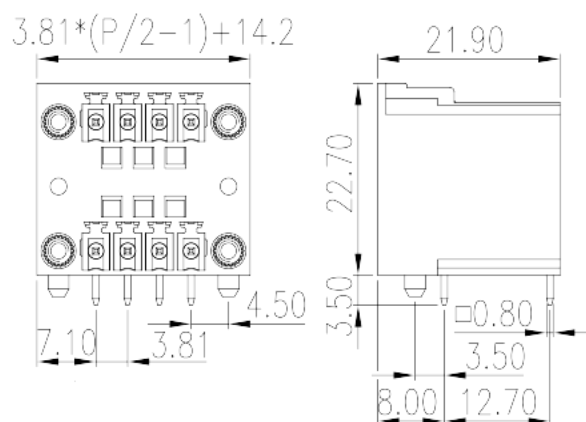
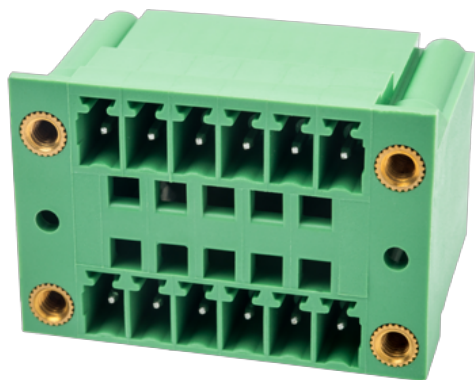


# ECHB381RM-XXP

PCB Terminal Blocks > PCB Connector-Socket

Date:2026-07-04Version:V1



The web catalog is for reference only. Dinkle remains the right of product modification and engineering change of the design. The final product is made according to engineering drawing.

## Product Description

Pitch : 3.81 mm, 300V, 8A

## General information

|  |  |
|--|--|
| Short description                      | PCB Connector – Socket, Wave soldering |
| Category                               | PCB Connector – Socket                 |
| Pitch (mm)                             | 3.81                                   |
| Color                                  | Green (default)                        |
| Type of locking                        | With threaded flange                   |
| Soldering method                       | Wave soldering                         |
| Length (mm)                            | $3.81 \times (P/2 - 1) + 14.2$         |
| Width (mm)                             | 21.9                                   |
| Height (mm)                            | 22.7                                   |
| Pin demensions (Thickness x Width)(mm) | 0.8x0.8                                |
| PCB hole diameter (mm)                 | 1.2~1.3                                |
| Number of positions                    | 04P~32P                                |
| Level                                  | Double level                           |

## Material information

|                     |     |
|---------------------|-----|
| Insulation material | PBT |
|---------------------|-----|

|  |                    |
|--|--------------------|
| Insulation material group                    | IIIa               |
| Flame retardant rating , compliant with UL94 | V0                 |
| Insulation resistance                        | □1000MΩ at DC 500V |
| Conductor material                           | COPPER ALLOY       |
| Plating of conductor surface                 | Tin PLATED         |

### Connection data-IEC

|  |     |
|--|-----|
| Rated voltage (V)                        | 320 |
| Rated current (A)                        | 14  |
| Rated voltage (II/2)(V)                  | 320 |
| Rated voltage (III/2) (V)                | 160 |
| Rated voltage (III/3)(V)                 | 160 |
| Rated impulse voltage (II/2)(KV)         | 2.5 |
| Rated impulse voltage (III/2)(KV)        | 2.5 |
| Rated impulse voltage (III/3)(KV)        | 2.5 |
| Tightening torque with flange. max (N.m) | 0.3 |

### Connection data-UL

|                                   |     |
|-----------------------------------|-----|
| Rated voltage (UL/CUL Group B)(V) | 300 |
| Rated current (UL/CUL Group B)(A) | 8   |
| Rated voltage (UL/CUL Group D)(V) | 300 |
| Rated current (UL/CUL Group D)(A) | 8   |

### Environment & Safety

|                                 |     |
|---------------------------------|-----|
| Finger protection (YES or NO)   | YES |
| Operating temperature. max (°C) | 120 |
| Operating temperature. min (°C) | -40 |

### UL Recognized

|                            |     |
|----------------------------|-----|
| Rated voltage (Group B)(V) | 300 |
| Rated current (Group B)(A) | 8   |
| Rated voltage (Group D)(V) | 300 |
| Rated current (Group D)(A) | 8   |

### CUL Recognized

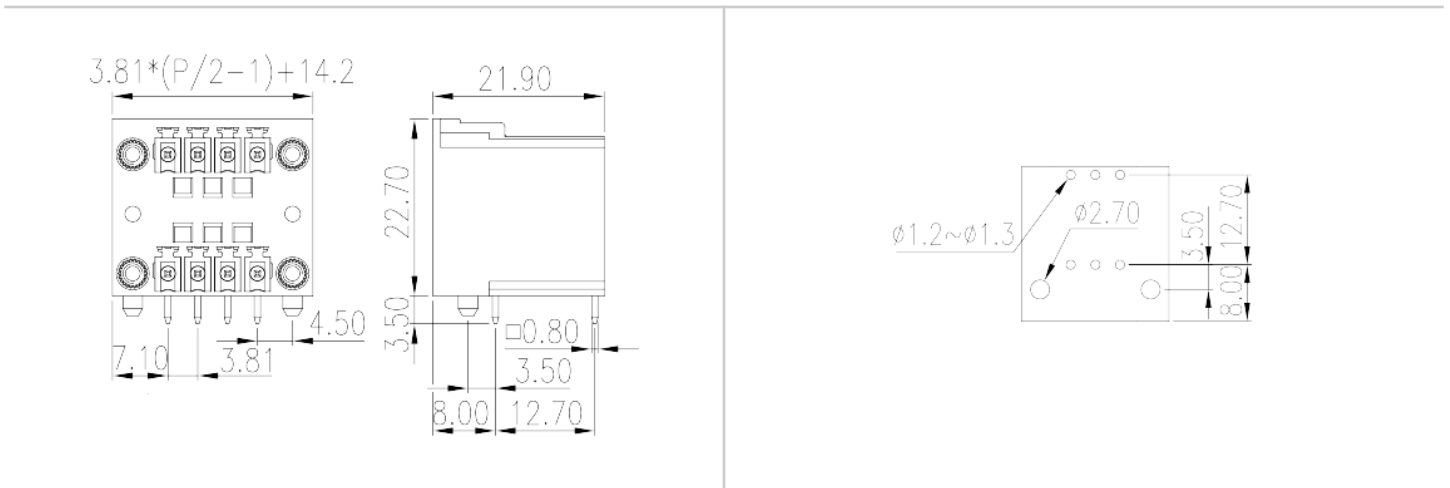
|  |  |
|--|--|
|  |  |
|--|--|

|                            |     |
|----------------------------|-----|
| Rated voltage (Group B)(V) | 300 |
| Rated current (Group B)(A) | 8   |
| Rated voltage (Group D)(V) | 300 |
| Rated current (Group D)(A) | 8   |

### VDE Approval

|                   |     |
|-------------------|-----|
| Rated voltage (V) | 320 |
| Rated current (A) | 14  |

### Drawings



### Approvals

