



因联结而喜悦!!  
Delight Through Connections



### 町洋企业股份有限公司

DINKLE ENTERPRISE CO., LTD.  
台湾新北市五股区五权二路19号 (新北产业园区)  
No.19,Wuquan 2nd Road., Wugu District,  
New Taipei City 24890, Taiwan  
TEL:+886-2-8069-9000 7705-6900  
FAX:+886-2-2290-1702  
E-mail:info@dinkle.com.tw  
Web site:http://www.dinkle.com

### 町洋国际股份有限公司

DINKLE INTERNATIONAL CO., LTD.  
台湾新北市五股区五权二路19号 (新北产业园区)  
No.19,Wuquan 2nd Road., Wugu District,  
New Taipei City 24890, Taiwan  
TEL:+886-2-8069-9000 7705-6900  
FAX:+886-2-2290-1702  
E-mail:info@dinkle.com.tw  
Web site:http://www.dinkle.com

### 奥迪克国际有限公司 (香港)

OPTIKLE INTERNATIONAL CO., LTD.  
香港九龙九龙湾宏冠道6号 鸿力工业中心B座1楼29室  
Room 29, 1/F, Block B, Proficient Industrial Center,  
No.6 Wang Kwun, Road  
TEL:Kowloon Bay, Kowloon, HONG KONG.  
TEL:+852-2795-3840 2758-8005  
FAX:+852-2753-6919  
E-mail:info@dinkle.com.tw  
Web site:http://www.dinkle.com

### 东莞立洋电机有限公司

LIYANG ELECTRIC MACHINERY(DONGGUAN) CO., LTD.  
广东省东莞市黄江镇鸡鸣岗村金钱岭一街2号  
No.2 1st street Jinqian Ridge,Jiming gang village,  
Huangjiang town,Dongguan City,Guangdong Province  
TEL:+86-769-8336-4350 8336-4370  
FAX:+86-769-8384-8634  
E-mail:info@dinkle.com.tw  
Web site:http://www.dinkle.com

### 町洋美国分公司

DINKLE CORPORATION, USA  
12613 Executive Drive, Suite 704, Stafford, Texas 77477  
TEL:+832-539-4703  
Toll-Free:+844-273-1850  
FAX:+832-532-7226  
E-mail:info@dinkle.com.tw  
Web site:http://www.dinkle.com

### 町洋电气贸易(上海)有限公司

DINKLE ELECTRIC TRADING (SHANGHAI) CO., LTD.  
上海市徐汇区漕溪北路18号上实大厦16层A室  
Room A,Floor 16,No.18 North Caoxi Road,Shanghai City  
TEL:+86-21-6487-0636 6427-3157  
FAX:+86-21-3356-2500  
E-mail:info@dinkle.com.tw  
Web site: http://www.dinkle.com

### 町洋机电(中国)有限公司

DINKLE ELECTRIC MACHINERY(CHINA) CO., LTD.  
江苏省昆山市千灯镇石浦工商管理区兴浦中路258号(215343)  
No.258,Xingpu Mid RD,Shipu Business Administration Estate,  
Qiandeng Town,Kunshan City,Jiangsu Province,China  
TEL:+86-512-5708-8588  
FAX:+86-512-5708-8600  
E-mail:info@dinkle.com.tw  
Web site: http://www.dinkle.com

北京办事处  
北京市海淀区知春路甲48号盈都大厦C座1单元5B  
TEL:+86-10-5873-4338  
FAX:+86-10-5873-4337

成都办事处  
四川省成都市天府新区华阳滨河路二段99号4-1-503  
TEL:+86-28-8736-5069  
FAX:+86-28-8736-5069

沈阳办事处  
辽宁省沈阳市和平区南京北街222号钻石星座B座2113室  
TEL:+86-24-3107-8204  
FAX:+86-24-2486-9893

南京办事处  
江苏省南京市江宁区将军大道55号H102  
TEL:+86-25-8490-9676  
FAX:+86-25-8490-9626

西安办事处  
陕西省西安市雁塔区科技路209号新西蓝1-1-1705室  
TEL:+86-29-8885-8475  
FAX:+86-21-3356-2500



E-mail : info@dinkle.com.tw  
Web : www.dinkle.com

# Electronics Enclosure



Dinkle remains the right of product modification and engineering change of design. The catalogue is for reference only. The final product is made according to actual engineering drawing.

弊社標準品に關しては、修正や設計変更等が行われるため、カタログは参考であり、詳細仕様は図面を基準とする。

本公司對產品保有修改、設變權，目錄僅供參考，實際產品仍需依照工程圖面為準。

## Dinkle, Delight through connections!!

Dinkle is one of the global major manufacturers of terminal blocks and committed to meet the highest application requirements of automation industry.

We continuously improve our productivity and competitive advantages, while keeping pace with the new production techniques and the global industrial trend. We work with trading offices in over 40 countries providing products and technical support services.




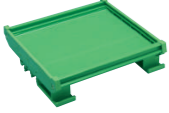

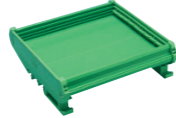

The business was established in Taiwan on July 22nd, 1983, it started from manufacturing barrier type terminal blocks. The first production facilities in China were set up in 1995, with 15 sales offices in Greater China region. Dinkle facilities include an R&D center for terminal blocks in Jiangsu , two OEM product development centers in KunShan and DongGuan city, an R&D center for electronics in Taipei, a CNAS certified laboratory in Jiangsu and two main production facilities in Jiangsu and Guangdong.

Terminal blocks are widely used in main industrial applications including Production Automation, Process Automation, Power Automation, Railway Transportation, New Energy and Equipment Manufacturing. All of our production facilities granted ISO 9001 quality control system certification and ISO 14001 environmental management system certification, and Dinkle's products have safety certifications include UL 、CUL 、CSA 、VDE 、GB. All products and materials used meet EU environmental policy of RoHS Directive and REACH regulation.








With more than 30 years of manufacturing experiences, Dinkle team is here to help to make your business successful. We provide reliable products and offer professional technical support and practical example to illustrate our solutions which are able to assist your business of improving production automation level and technical standard. No matter what your requirement is, you will find out the ideal solutions from Dinkle.










## PCB carrier

Page.6				
	KMSR-XXXX	KMSP-XXXX	KMR-XXXX	
Page.7				
	KMLR-XXXX	KMRT-XXXX	KMRF-XXXX	KMRH-K175

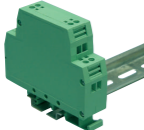


## Relay socket

Page.10				
	RYPSA-04N	RYPS-05N	RYPS-08N	
Page.11				
	RYPSL-05N	RYPSL-04AN	RYPSL-06AN	RYPSL-26AN







## DMER Component housing

Page.14				
	DMER-10	DMER-41	DMER-53	
Page.15				
	DMER-5T10	DMER-5T11	DMER-5T00	DMER-5T01










## DEG Electronic housing

Page.18			
	DEG-02P	DEG-04P	DEGM-03P

## DEG Electronic housing

Page.19				
	DEGM-06P	DEGM-12P	DEGH-03P	DEGH-06P
Page.20				
	DMUG-22	DMUG-45		

## DMEN Electronic housing

Page.24				
	DMEN-S2PGG	DMEN-S3PGG	DMEN-S4PGG	
Page.25				
	DMEN-S6PGG	DMEN-T2PGG	DMEN-T3PGG	DMEN-T4PGG
Page.26				
	DMEN-T6PGG	DMES-T2PGG		

# KM

## PCB Carrier



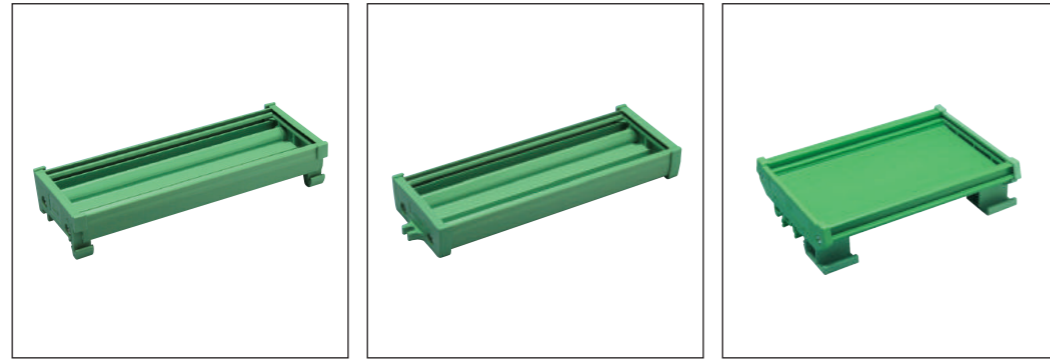
- KM series PCB carriers offer various dimensions that can accommodate PCB width of 42mm , 72mm and 107mm. The length of the carrier can be cut according to customer's requirement.
- KM PCB carrier set includes 4 screws for assembly.
- KMRT and KMRF designs offer large PCB assembly area, which is suitable for accommodating double PCB of width 107mm.
- Dinkle PCB carriers have been widely applied in system integration and interface integration applications.

# PCB Carrier

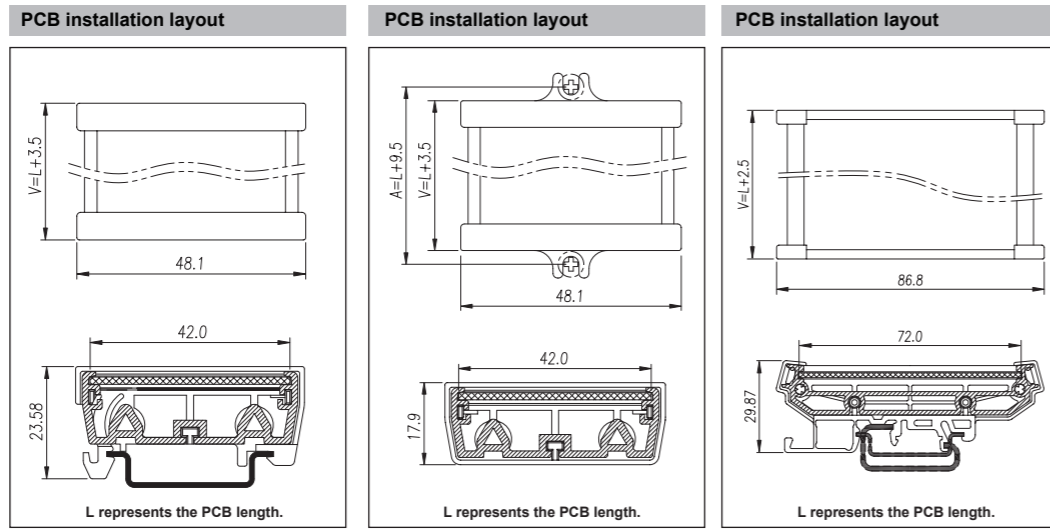


KM series carrier allows electronics circuit board be mounted on the rail easily, the solid structure ensures mechanical stability and protection of the electronic components on the PCB.

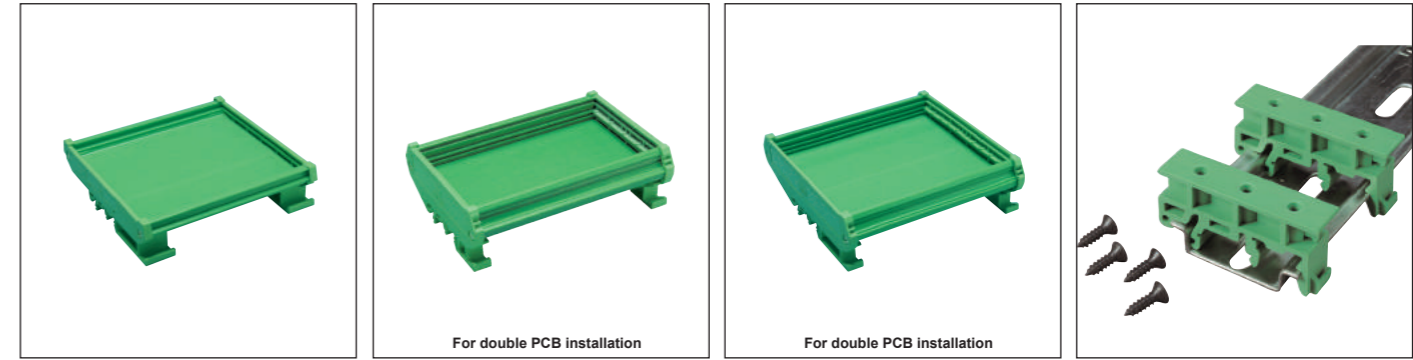
## KM serie



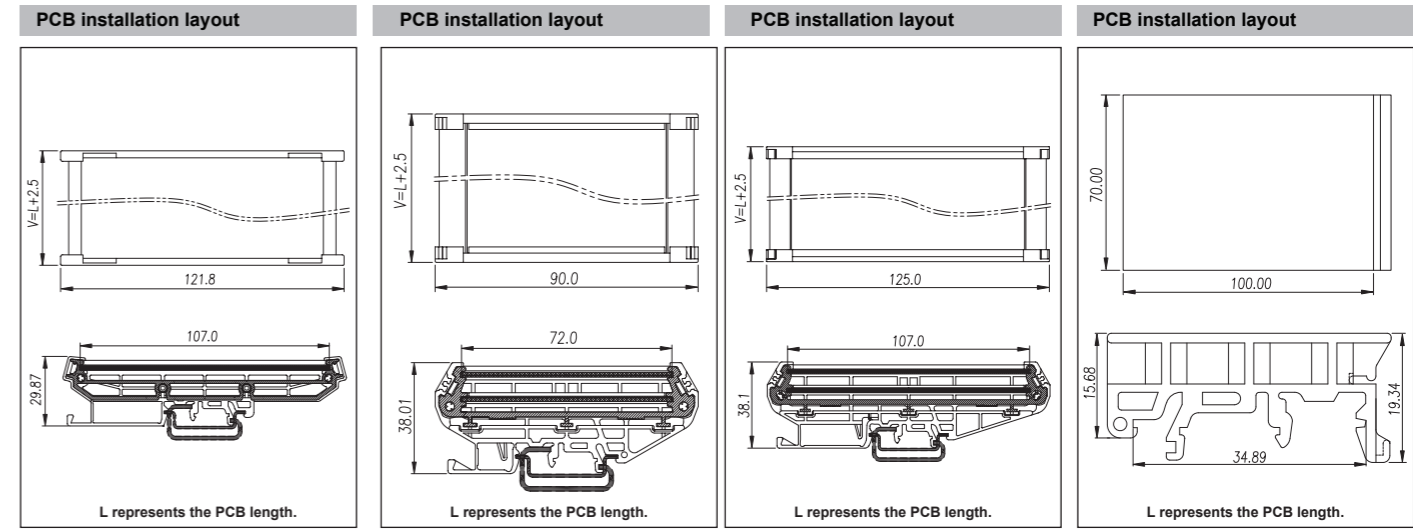
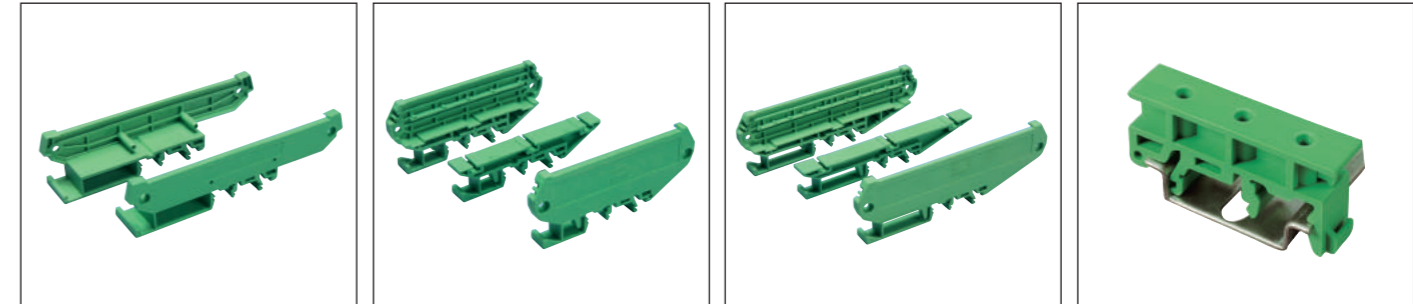
KMSR-XXXX		KMSP-XXXX		KMR-XXXX	
For PCB width	42mm	For PCB width	42mm	For PCB width	72mm
Length(mm)	Part number	Length(mm)	Part number	Length(mm)	Part number
60	KMSR-0060	60	KMSP-0060	60	KMR-0060
:	:	:	:	:	:
:	:	:	:	:	:
2000	KMSR-2000	2000	KMSP-2000	2000	KMR-2000
Accessories	Part Number	Accessories	Part Number	Accessories	Part Number
PCB carrier-1000mm	KMSC-1000	PCB carrier-1000mm	KMSC-1000	PCB carrier-1000mm	KMRC-1000
PCB carrier-2000mm	KMSC-2000	PCB carrier-2000mm	KMSC-2000	PCB carrier-2000mm	KMRC-2000
Side cover with foot (right)	KMSRMR	Side cover with foot (right)	KMSPM	Side cover with foot (right)	KMRMR
Side cover with foot (left)	KMSRML	Side cover with foot (left)	KMSPM	Side cover with foot (left)	KMRML
Mounting foot	--	Mounting foot	--	Mounting foot	KM-PP



# PCB Carrier



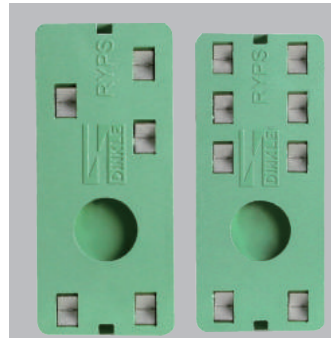
KMLR-XXXX		KMRT-XXXX		KMRF-XXXX		KMRH-K175	
For PCB width	107mm	For PCB width	72mm(Bi-level)	For PCB width	107mm(Bi-level)	KMRH-K175 can be assembled with PCB directly which allows easy PCB installation on the rail.	
Length(mm)	Part number	Length(mm)	Part number	Length(mm)	Part number	Accessories	Part Number
60	KMLR-0060	60	KMRT-0060	60	KMRF-0060	Earthing plug	KMRH X 2PCS
:	:	:	:	:	:	Screw	Screw part number
:	:	:	:	:	:	Tapping screw	4PCS
2000	KMLR-2000	2000	KMRT-2000	2000	KMRF-2000		
Accessories	Part Number	Accessories	Part Number	Accessories	Part Number		
PCB carrier-1000mm	KMLRC-1000	PCB carrier-1000mm	KMRTC-1000	PCB carrier-1000mm	KMRFC-1000		
PCB carrier-2000mm	KMLRC-2000	PCB carrier-2000mm	KMRTC-2000	PCB carrier-2000mm	KMRFC-2000		
Side cover with foot (right)	KMLRMR	Side cover with foot (right)	KMRTMR	Side cover with foot (right)	KMRFMR		
Side cover with foot (left)	KMLRML	Side cover with foot (left)	KMRTML	Side cover with foot (left)	KMRFML		
Mounting foot	KML-PP	Mounting foot	KMRT-PP	Mounting foot	KMRF-PP		



# PCB Carrier



# Relay Socket



Dinkle relay sockets allow reliable connection with the PCB relay and offer excellent soldering performance.

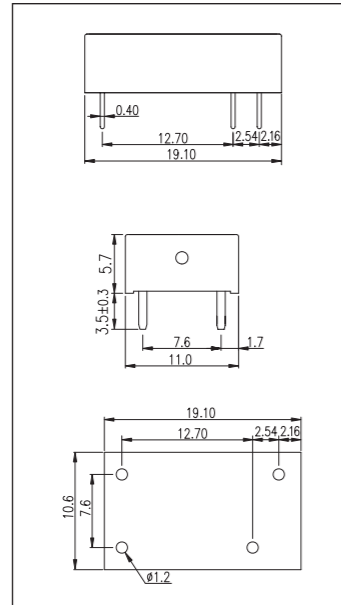
Dinkle relay sockets are compatible with various brands of PCB relay in the market.

## RYPS serie



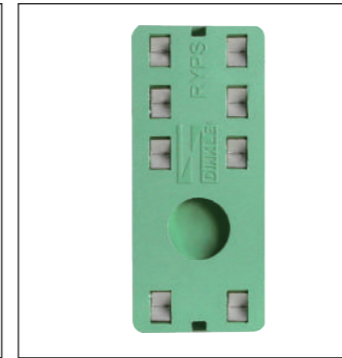
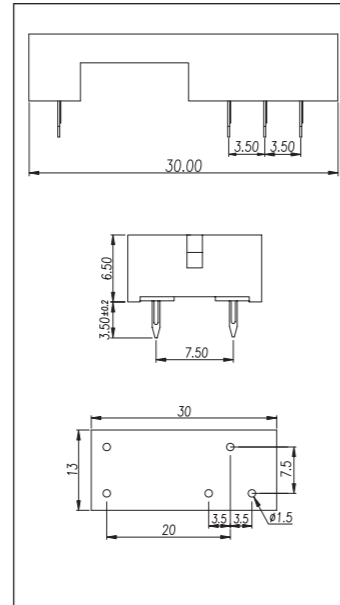
RYPSA-04N	
Specification	Parameters
LxWxH(mm)	19.1x11x5.7
Rated voltage	250V
Rated current	10A
Pin No	4
Applicable brand	Tyco
Part number	OJE-SS-124HMF (Tyco)
Applicable clip	RYPSK-002

### Dimensions



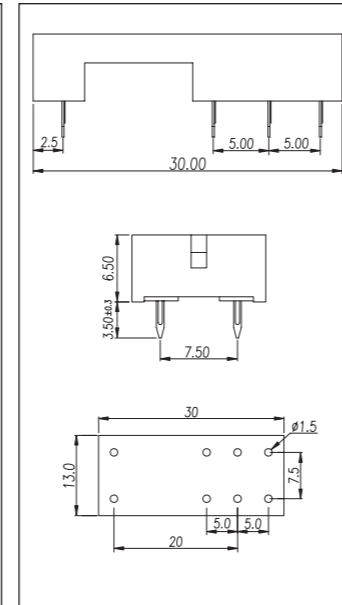
RYPS-05N	
Specification	Parameters
LxWxH(mm)	30x13x6.5
Rated voltage	250V
Rated current	10A
Pin No	5
Applicable brand	OMRON
Part number	G2R-1(OMRON)
Applicable clip	RYPSK-001 RYPSK-003

### Dimensions

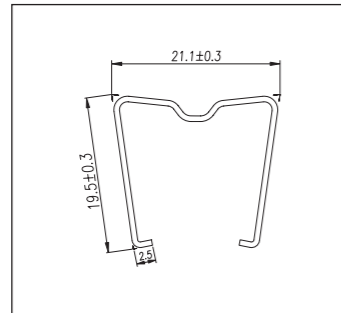


RYPS-08N	
Specification	Parameters
LxWxH(mm)	30x13x6.5
Rated voltage	250V
Rated current	10A
Pin No	8
Applicable brand	OMRON/Finder
Part number	G2R-1-E G2R-1A-E G2R-2
Applicable clip	RYPSK-001 RYPSK-003

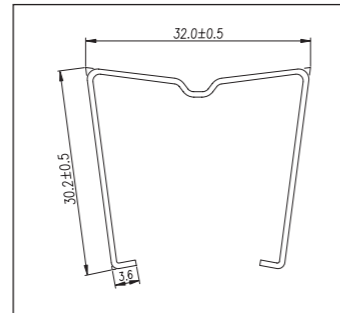
### Dimensions



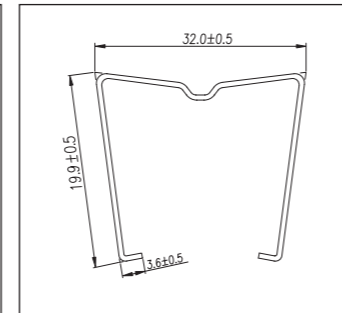
### RYPSK-002



### RYPSK-001



### RYPSK-003



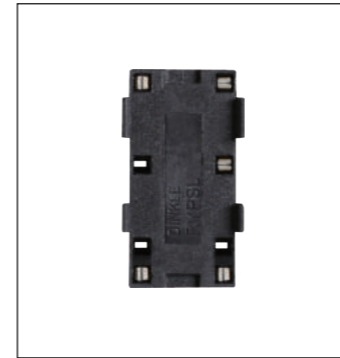
Applicable base

RYPSA

RYPS

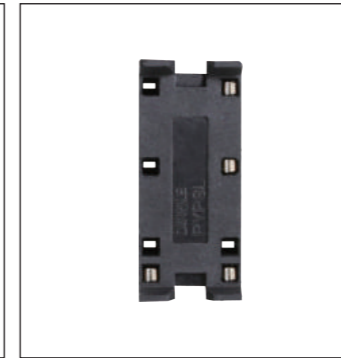
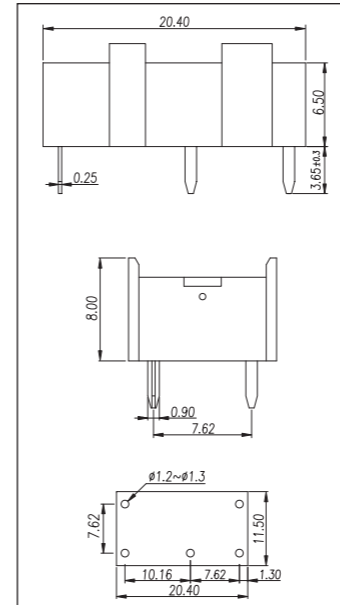
RYPS

# Relay Socket



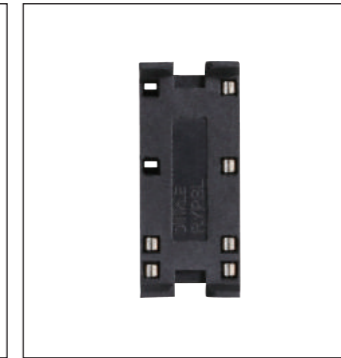
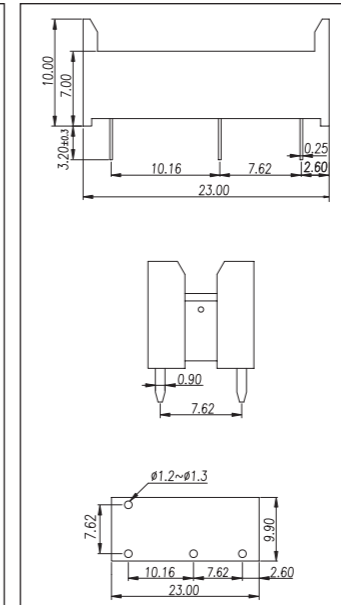
RYPSL-05N	
Specification	Parameters
LxWxH(mm)	20.4x11.5x8
Rated voltage	250V
Rated current	6A
Pin No	5
Applicable brand	SCHRACK
Part number	RE/PE(SCHRACK)
Applicable clip	

### Dimensions



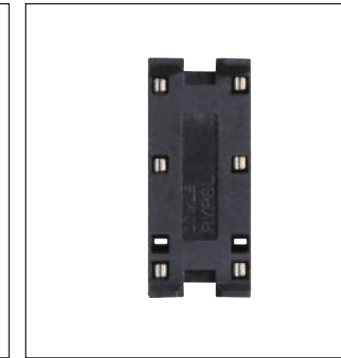
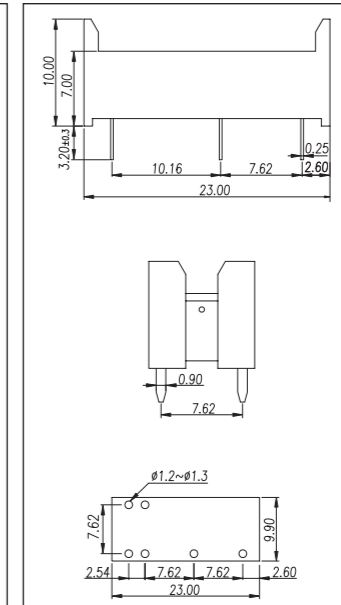
RYPSL-04AN	
Specification	Parameters
LxWxH(mm)	23x9.9x10
Rated voltage	250V
Rated current	6A
Pin No	4
Applicable brand	OMRON
Part number	G6B-1114P-FD-US (OMRON)
Applicable clip	

### Dimensions



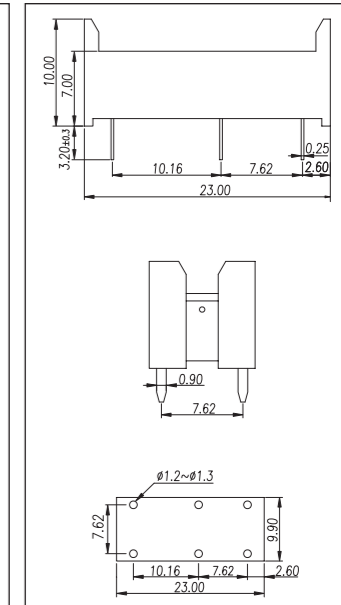
RYPSL-06AN	
Specification	Parameters
LxWxH(mm)	23x9.9x10
Rated voltage	250V
Rated current	6A
Pin No	6
Applicable brand	OMRON
Part number	G6BK-1114P-US (OMRON)
Applicable clip	

### Dimensions



RYPSL-26AN	
Specification	Parameters
LxWxH(mm)	23x9.9x10
Rated voltage	250V
Rated current	6A
Pin No	6
Applicable brand	OMRON
Part number	G6B-2114P-US (OMRON)
Applicable clip	

### Dimensions

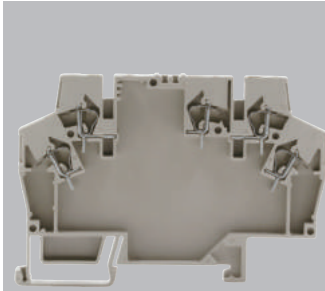


Relay Socket





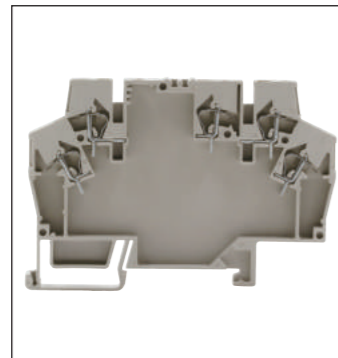
## Component Housing



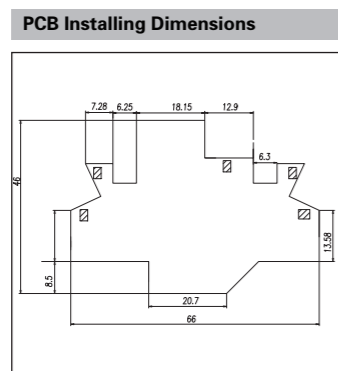
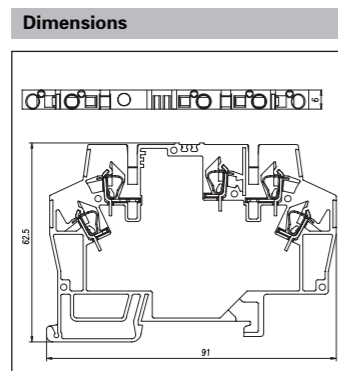
Dinkle DMER series housing is designed for DIN Rail installation with an external thickness of 6.0-6.2 mm, internal thickness 4.1-5.2mm and large internal space which is suitable for various components assembly requirement.

The housings feature a compact structure which allows large PCB to be installed.

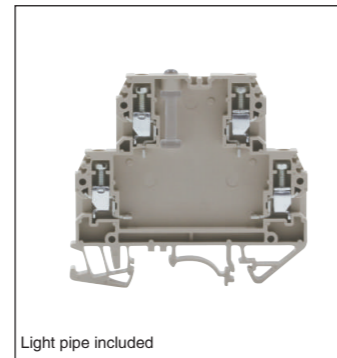
### DMER serie



DMER-10	
Width (mm)	6.00
Color	Part number
●	DMER-10
●	DMER-10-BK
Accessories	Part number
Light pipe	without
End cover	DMER-10C
Insertion bridge	DSS4-02P
	DSS4-10P
Marking label	TM21/TM16

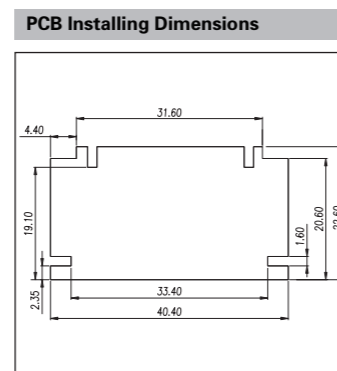
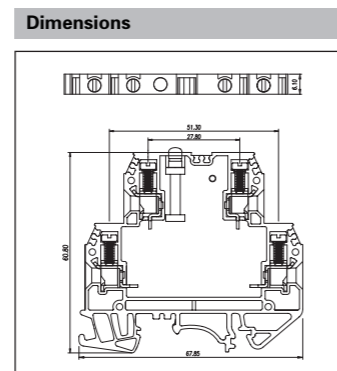


DMER-10 ≦ Internal thickness 5.2 mm

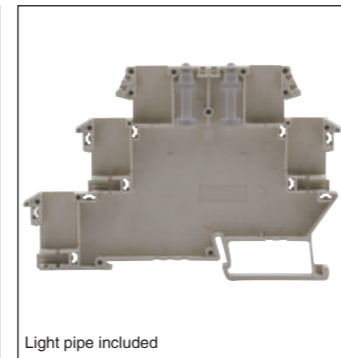


Light pipe included

DMER-41	
Width (mm)	6.10
Color	Part number
●	DMER-41
●	DMER-41-BK
Accessories	Part number
Light pipe	0072A01700
End cover	DMERC
Insertion bridge	CSC-402PN
	CSC-410PN
Marking label	TM21

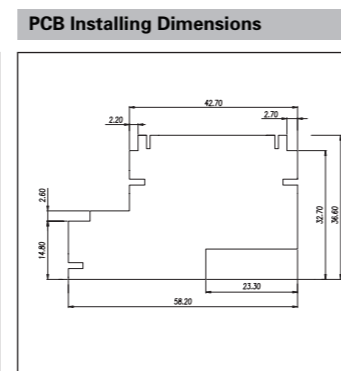
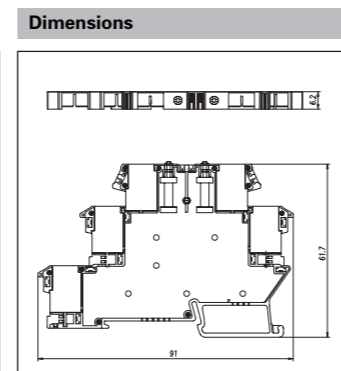


DMER-41 ≦ Internal thickness 4.8 mm



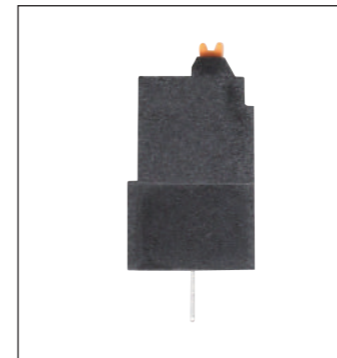
Light pipe included

DMER-53	
Width (mm)	6.20
Color	Part number
●	DMER-53-G001
●	DMER-53-K001
Accessories	Part number
Light pipe	0072A01900
End cover	DMER-5C-M012
Insertion bridge	DS-210
Marking label	TM21

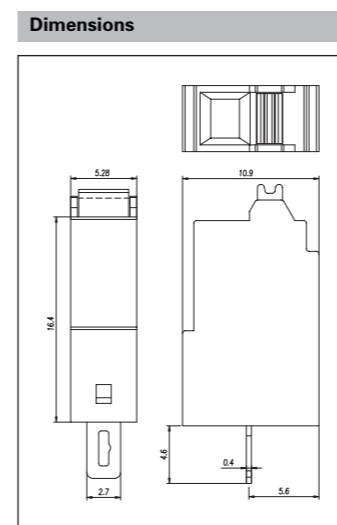


DMER-53 ≦ Internal thickness 4.1 mm

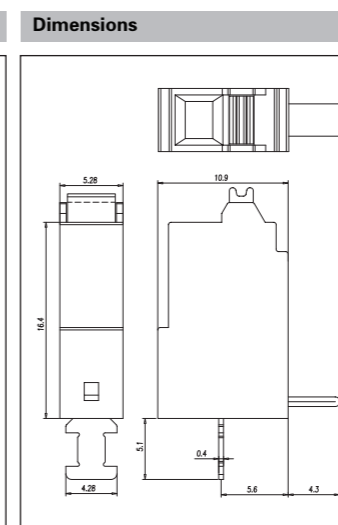
## Component Housing



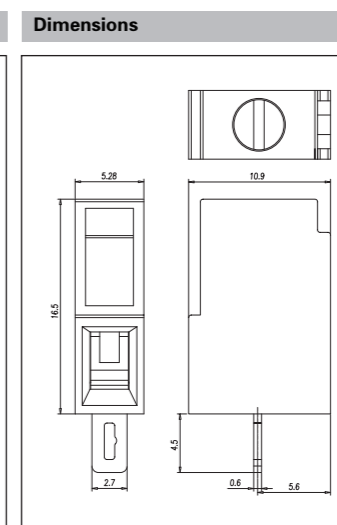
DMER-5T10	
Specification	Part number
Applicable housing	DMER-53
Rated voltage	300V
Rated current	20A
Solid wire	24~12
Stranded wire	24~12
Rated impulse voltage	2.5KV
Torque	
Screw dimensions	
Color	Part number
●	DMER-5T10-R013
○	DMER-5T10-W001
●	DMER-5T10-L030
●	DMER-5T10-F001



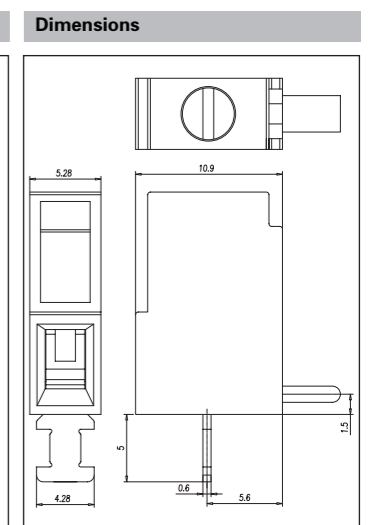
DMER-5T11	
Specification	Part number
Applicable housing	DMER-53
Rated voltage	300V
Rated current	20A
Solid wire	24~12
Stranded wire	24~12
Rated impulse voltage	2.5KV
Torque	
Screw dimensions	
Color	Part number
●	DMER-5T11-R013
○	DMER-5T11-W001
●	DMER-5T11-L030
●	DMER-5T11-F001



DMER-5T00	
Specification	Part number
Applicable housing	DMER-53
Rated voltage	300V
Rated current	20A
Solid wire	24~12
Stranded wire	24~12
Rated impulse voltage	2.5KV
Torque	0.4Nm
Screw dimensions	M3
Color	Part number
●	DMER-5T00-R013
○	DMER-5T00-W001
●	DMER-5T00-L030
●	DMER-5T00-F001

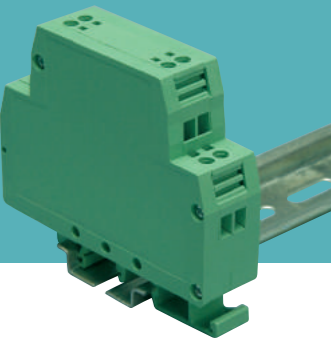


DMER-5T01	
Specification	Part number
Applicable housing	DMER-53
Rated voltage	300V
Rated current	20A
Solid wire	24~12
Stranded wire	24~12
Rated impulse voltage	2.5KV
Torque	0.4Nm
Screw dimensions	M3
Color	Part number
●	DMER-5T01-R013
○	DMER-5T01-W001
●	DMER-5T01-L030
●	DMER-5T01-F001



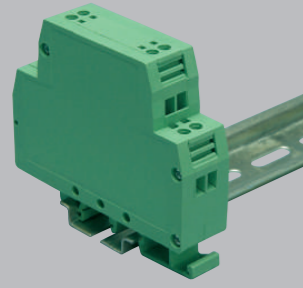
# DEG

## Electronic Housing



- Dinkle electronic housing offers effective component protection and suitable for system integration. There are wide selections of varies dimensions for customer usage, width of 20, 22.5, 25, 30, 40 and 45 mm.
- Industrial PA materials are used in electronic housings which feature low flammability and insulation levels that meet UL and IEC standards.

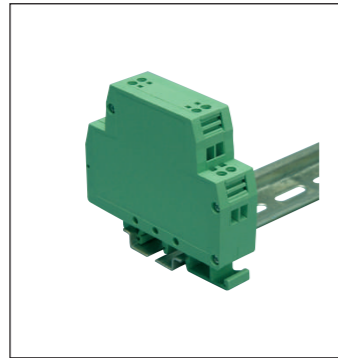
## Component Housing



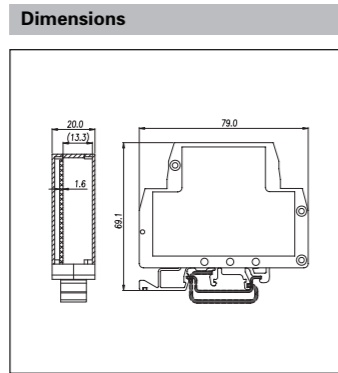
Dinkle electronic housing offers effective component protection and suitable for system integration. There are wide selections of various dimensions for customer usage, such as a width of 20, 22.5, 25, 30, 40 and 45 mm.

Industrial PA materials are used in electronic housings which feature low flammability and insulation levels that meet UL and IEC standards.

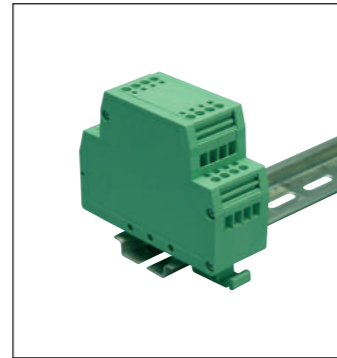
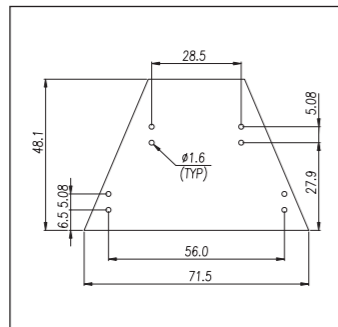
DEG serie



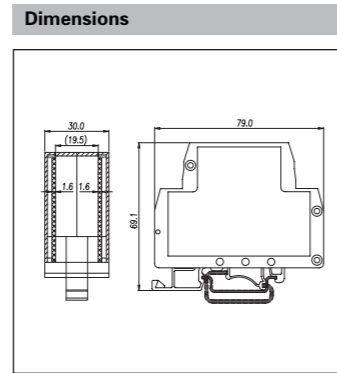
DEG-02P	
Width (mm)	20.00mm
Color	Part number
●	DEG-02P-BK
●	DEG-02P-GY
Accessories	Part number
Terminal block/Plug	DEG-TB2P
Terminal block/Socket	---



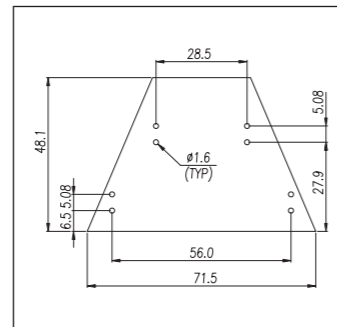
PCB Installing Dimensions



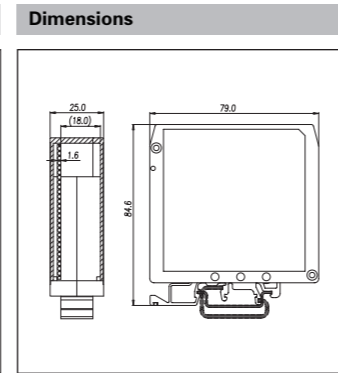
DEG-04P	
Width (mm)	30.00mm
Color	Part number
●	DEG-04P-BK
●	DEG-04P-GY
Accessories	Part number
Terminal block/Plug	DEG-TB2P
Terminal block/Socket	---



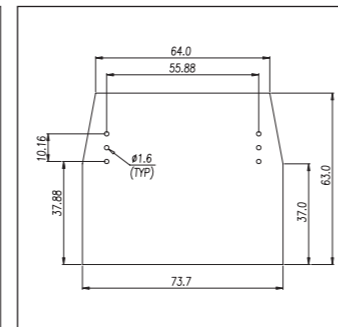
PCB Installing Dimensions



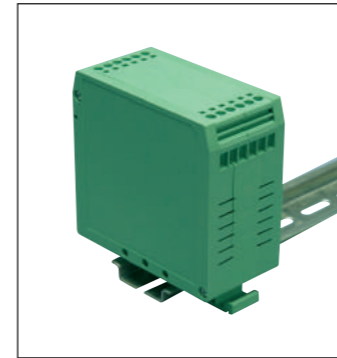
DEGM-03P	
Width (mm)	25.00mm
Color	Part number
●	DEGM-03P-BK
●	DEGM-03P-GY
Accessories	Part number
Terminal block/Plug	DEGM-TB3P
Terminal block/Socket	---



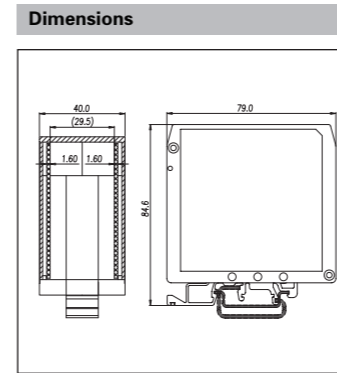
PCB Installing Dimensions



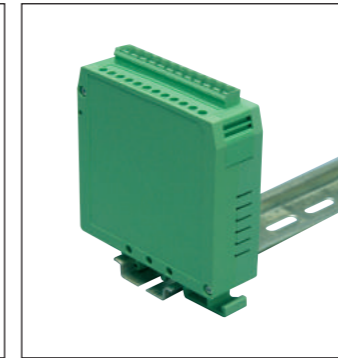
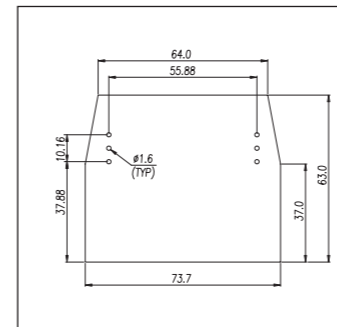
## Component Housing



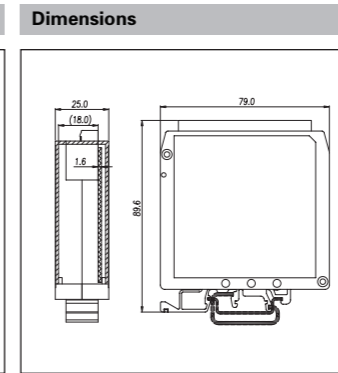
DEGM-06P	
Width (mm)	40.00mm
Color	Part number
●	DEGM-06P-BK
●	DEGM-06P-GY
Accessories	Part number
Terminal block/Plug	DEGM-TB3P
Terminal block/Socket	---



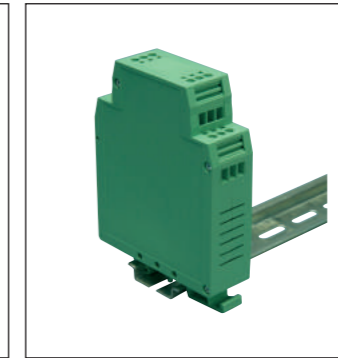
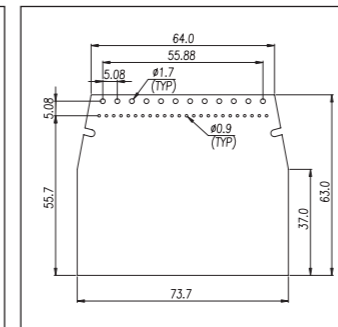
PCB Installing Dimensions



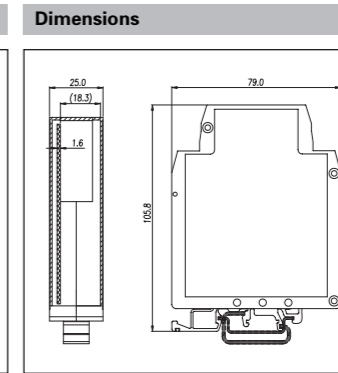
DEGM-12P	
Width (mm)	25.00mm
Color	Part number
●	DEGM-12P-BK
●	DEGM-12P-GY
Accessories	Part number
Terminal block/Plug	2EHDR-4375
Terminal block/Socket	2ESDV-12P



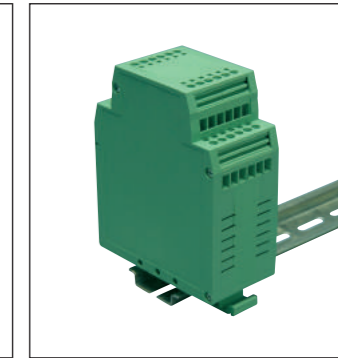
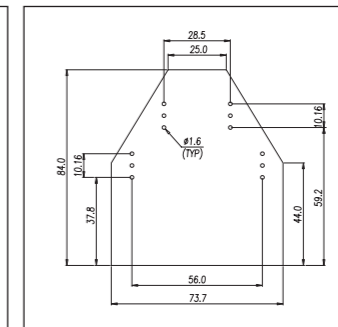
PCB Installing Dimensions



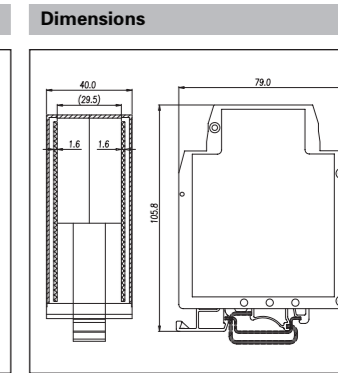
DEGH-03P	
Width (mm)	25.00mm
Color	Part number
●	DEGH-03P-BK
●	DEGH-03P-GY
Accessories	Part number
Terminal block/Plug	DEGH-TB3P
Terminal block/Socket	---



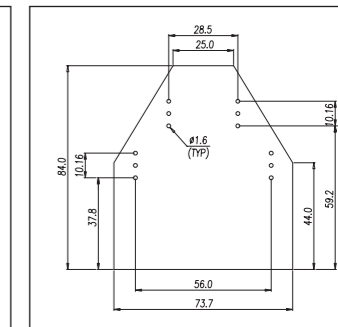
PCB Installing Dimensions

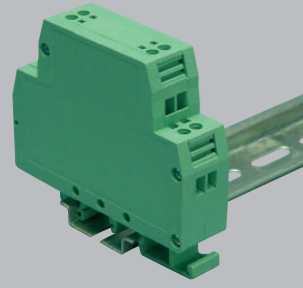


DEGH-06P	
Width (mm)	40.00mm
Color	Part number
●	DEGH-06P-BK
●	DEGH-06P-GY
Accessories	Part number
Terminal block/Plug	DEGH-TB3P
Terminal block/Socket	---



PCB Installing Dimensions

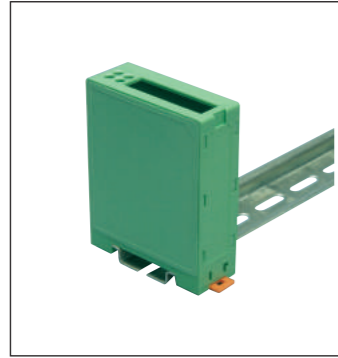




Dinkle electronic housing offers effective component protection and suitable for system integration. There are wide selections of various dimensions for customer usage, such as a width of 20, 22.5, 25, 30, 40 and 45 mm.

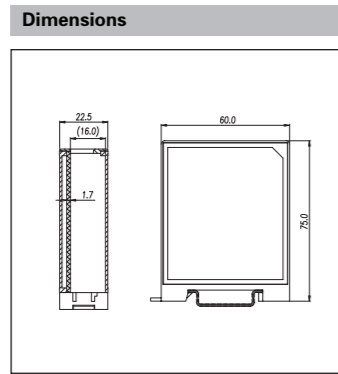
Industrial PA materials are used in electronic housings which feature low flammability and insulation levels that meet UL and IEC standards.

DEG serie

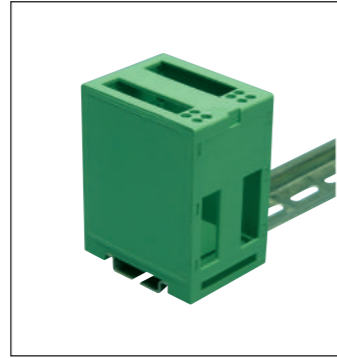
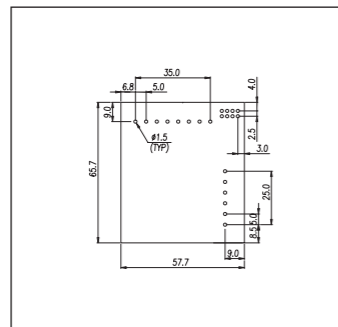


**DMUG-22**

<b>Width (mm)</b>	22.50mm
<b>Color</b>	<b>Part number</b>
●	DMUG-22-BK
●	DMUG-22-GY
<b>Accessories</b>	<b>Part number</b>
Terminal block/Plug	5EHDR-06P/08P
Terminal block/Socket	5ESDV-06P/08P

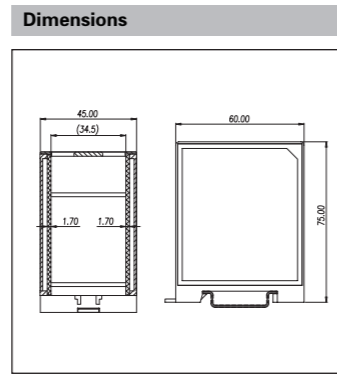


**PCB Installing Dimensions**

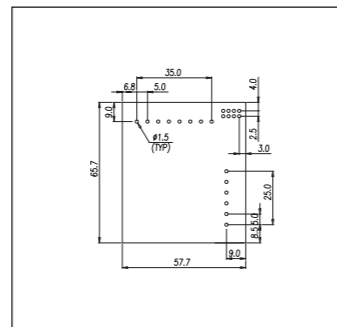


**DMUG-45**

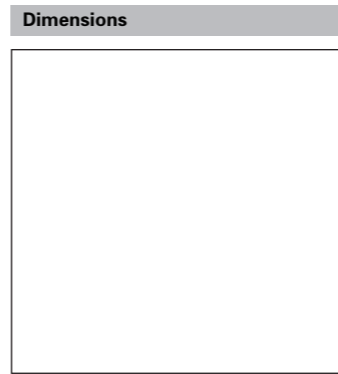
<b>Width (mm)</b>	45.00mm
<b>Color</b>	<b>Part number</b>
●	DMUG-45-BK
●	DMUG-45-GY
<b>Accessories</b>	<b>Part number</b>
Terminal block/Plug	5EHDR-06P/08P
Terminal block/Socket	5ESDV-06P/08P



**PCB Installing Dimensions**



<b>Width (mm)</b>	
<b>Color</b>	<b>Part number</b>
<b>Accessories</b>	<b>Part number</b>
Terminal block/Plug	
Terminal block/Socket	



**PCB Installing Dimensions**

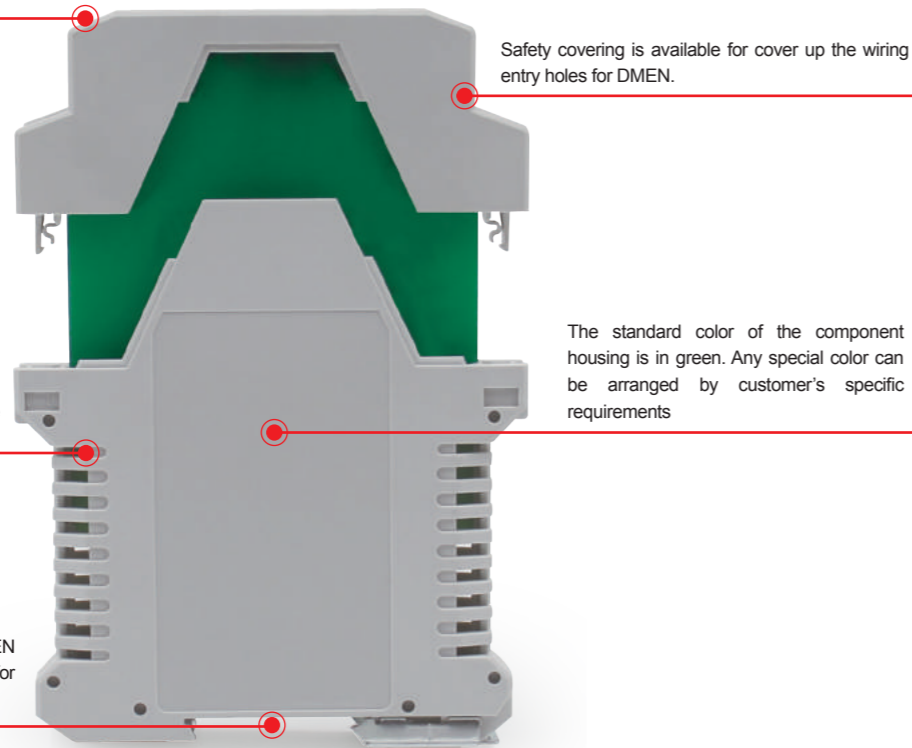


因联结而喜悦!!  
Delight Through Connections

Dinkle DMEN Component Housing offers various dimensions to meet customer's individual application. These products have been widely applied in the field of industrial automation, such as safety relay, disconnecter, surge protection device, signal acquisition and communication interface applications.

**Customized requirement:**

The upper cover has the options of various dimensions of openings according to customer's requirement, such as LED hole, USB port, RJ45 hole or other dimension openings for display purposes.

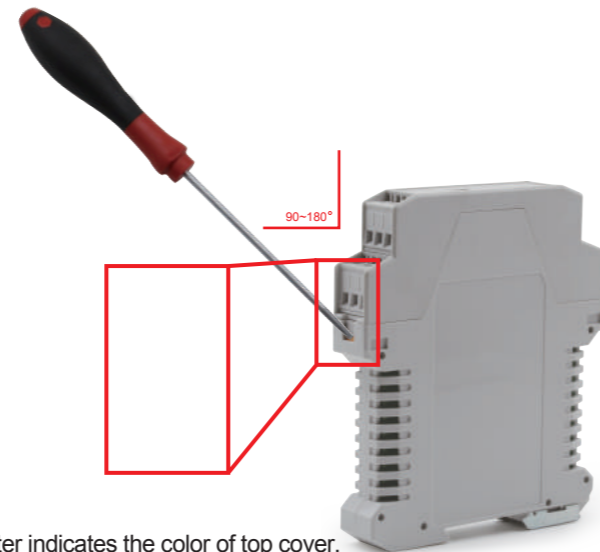


- Dinkle electronic housing offers effective component protection and suitable for system integration. There are wide selections of varies dimensions for customer usage, such as a width of 12.5, 17.5, 22.5 and 35mm.
- Industrial PA materials are used in electronic housings which feature low flammability and insulation levels that meet UL and IEC standards.

**Disassembly method of DMEN electronic housing**

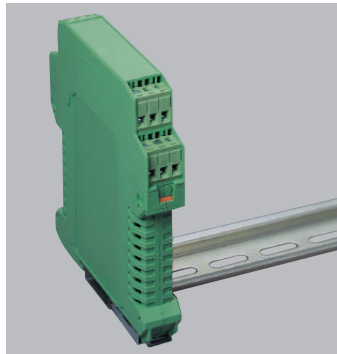
DMEN electronic housing offers excellent isolation and reliable mechanical performance. The orange color push button is clear to see. Adopting the rigid structure design, PCB can be securely installed.

- With gentle press of the orange push button on both side of the housing to lift up the top cover. The push button can be easily pressed by using a screw driver from an angle of 90 degrees to 180 degrees.
- Only a small amount of force is required to lift up the upper cover and PCB.
- For putting the PCB back into the housing, carefully align the PCB with the slots of the housing and slide the PCB in gently until hearing a "click" sound.



DMEN - S 2 □ □ □

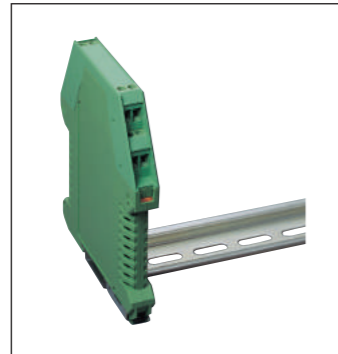
- ▶ First letter indicates the color of top cover, Second letter indicates the color of the bottom housing. "G" for green color.
- ▶ "P" represents cover and housing / "T" represents only cover "U" represents only housing.
- ▶ Pole number of the terminal block on one side of the electronic housing
- ▶ The design of the top cover. "S" for PCB terminal block installation. "T" for pluggable terminal block installation.
- ▶ The design of the electronic housing.



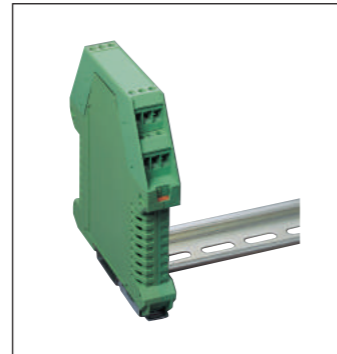
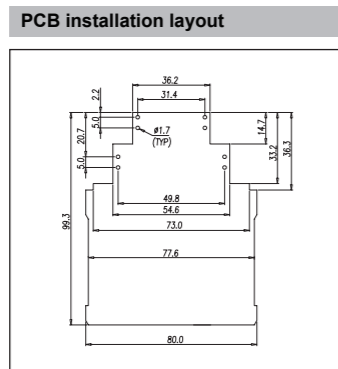
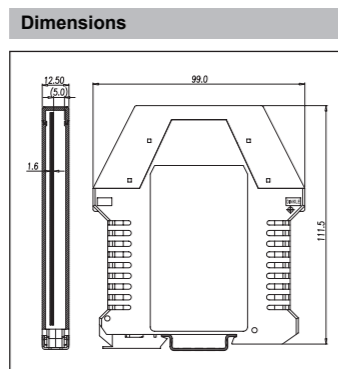
Dinkle electronic housing offers effective component protection and suitable for system integration. There are wide selections of varies dimensions for customer usage, such as a width of 12.5, 17.5, 22.5 and 35mm.

Industrial PA materials are used in electronic housings which feature low flammability and insulation levels that meet UL and IEC standards.

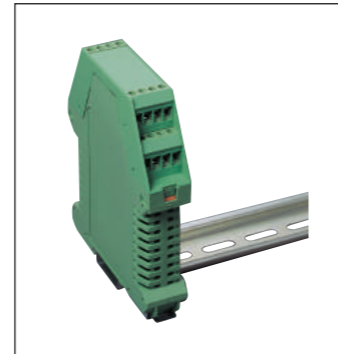
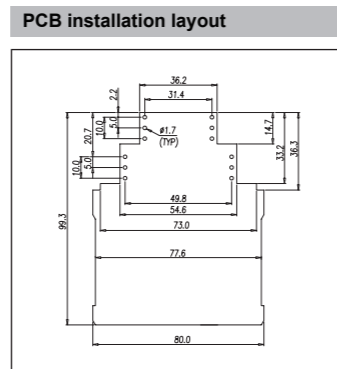
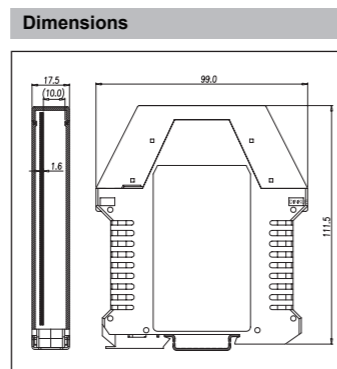
DMEN



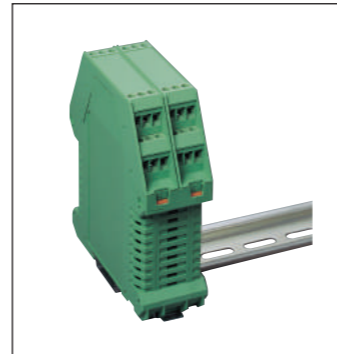
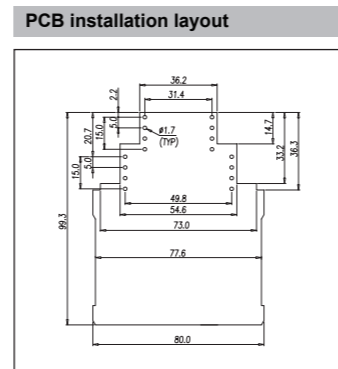
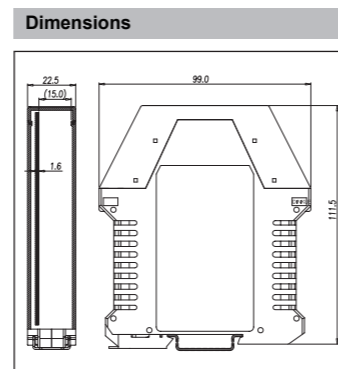
DMEN-S2PGG	
Width (mm)	12.50mm
Color	Part number
●	DMEN-S2PKK
●	DMEN-S2PMM
Accessories	Part number
Top cover	DMEN-HS2TG0
Bottom housing	DMEN-HS2U0G
PCB connector socket (Left)	--
PCB connector socket (Right)	--
PCB terminal block (Left)	5ES-2PL
PCB terminal block (Right)	5ES-2PR
Safety Cover	5ES-2PC
Earthing plug	0073B01500
Part number (with grounding)	DMEN-S2PGG-PE



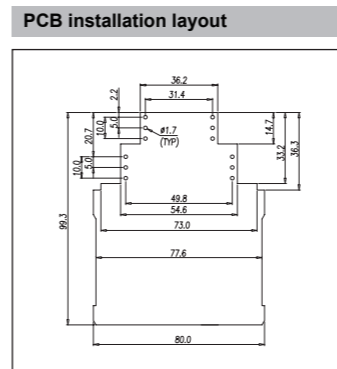
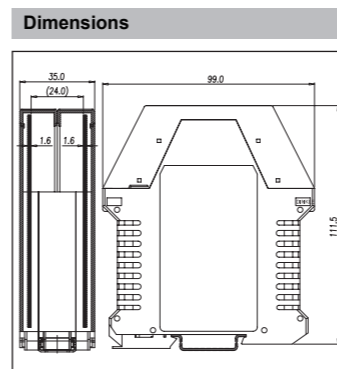
DMEN-S3PGG	
Width (mm)	17.50mm
Color	Part number
●	DMEN-S3PKK
●	DMEN-S3PMM
Accessories	Part number
Top cover	DMEN-HS3TG0
Bottom housing	DMEN-HS3U0G
PCB connector socket (Left)	--
PCB connector socket (Right)	--
PCB terminal block (Left)	5ES-3PL
PCB terminal block (Right)	5ES-3PR
Safety Cover	5ES-3PC
Earthing plug	0073B01500
Part number (with grounding)	DMEN-S3PGG-PE



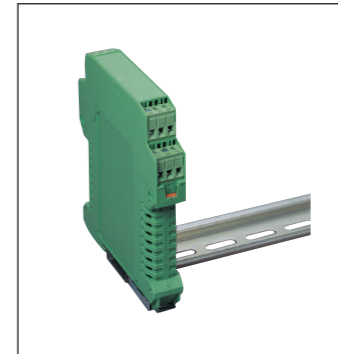
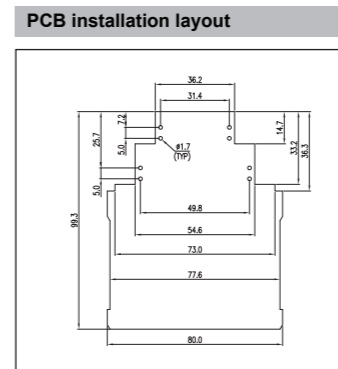
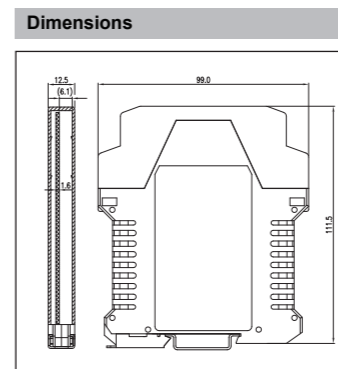
DMEN-S4PGG	
Width (mm)	22.50mm
Color	Part number
●	DMEN-S4PKK
●	DMEN-S4PMM
Accessories	Part number
Top cover	DMEN-HS4TG0
Bottom housing	DMEN-HS4U0G
PCB connector socket (Left)	--
PCB connector socket (Right)	--
PCB terminal block (Left)	5ES-4PL
PCB terminal block (Right)	5ES-4PR
Safety Cover	5ES-4PC
Earthing plug	0073B01500
Part number (with grounding)	DMEN-S4PGG-PE



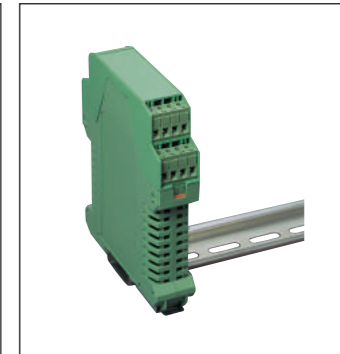
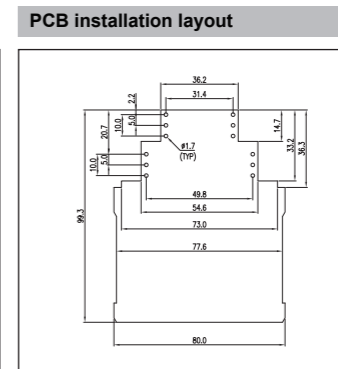
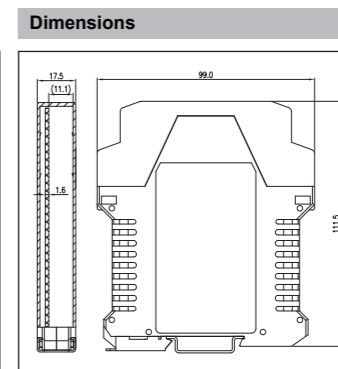
DMEN-S6PGG	
Width (mm)	35.00mm
Color	Part number
●	DMEN-S6PKK
●	DMEN-S6PMM
Accessories	Part number
Top cover	DMEN-HS3TG0
Bottom housing	DMEN-HS6U0G
PCB connector socket (Left)	--
PCB connector socket (Right)	--
PCB terminal block (Left)	5ES-3PL
PCB terminal block (Right)	5ES-3PR
Safety Cover	5ES-3PC
Earthing plug	0073B01500
Part number (with grounding)	DMEN-S6PGG-PE



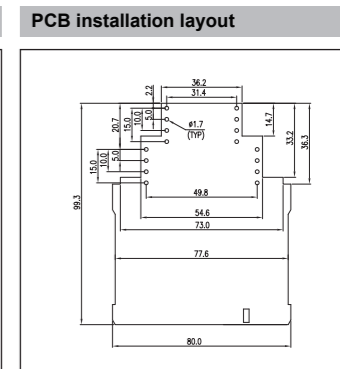
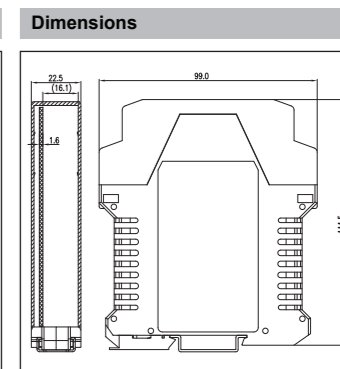
DMEN-T2PGG	
Width (mm)	12.50mm
Color	Part number
●	DMEN-T2PKK
●	DMEN-T2PMM
Accessories	Part number
Top cover	DMEN-HT2TG0
Bottom housing	DMEN-HT2U0G
PCB connector socket (Left)	5EH-2PL
PCB connector socket (Right)	5EH-2PR
PCB terminal plug (Left)	5ESDT-02P
PCB terminal plug (Right)	--
Safety Cover	5EH-2PC
Earthing plug	0073B01500
Part number (with grounding)	DMEN-T2PGG-PE



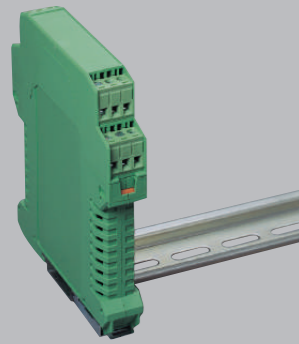
DMEN-T3PGG	
Width (mm)	17.50mm
Color	Part number
●	DMEN-T3PKK
●	DMEN-T3PMM
Accessories	Part number
Top cover	DMEN-HT3TG0
Bottom housing	DMEN-HT3U0G
PCB connector socket (Left)	5EH-3PL
PCB connector socket (Right)	5EH-3PR
PCB terminal plug (Left)	5ESDT-03P
PCB terminal plug (Right)	--
Safety Cover	5EH-3PC
Earthing plug	0073B01500
Part number (with grounding)	DMEN-T3PGG-PE



DMEN-T4PGG	
Width (mm)	22.50mm
Color	Part number
●	DMEN-T4PKK
●	DMEN-T4PMM
Accessories	Part number
Top cover	DMEN-HT4TG0
Bottom housing	DMEN-HT4U0G
PCB connector socket (Left)	5EH-4PL
PCB connector socket (Right)	5EH-4PR
PCB terminal plug (Left)	5ESDT-04P
PCB terminal plug (Right)	--
Safety Cover	5EH-4PC
Earthing plug	0073B01500
Part number (with grounding)	DMEN-T4PGG-PE



Component Housing



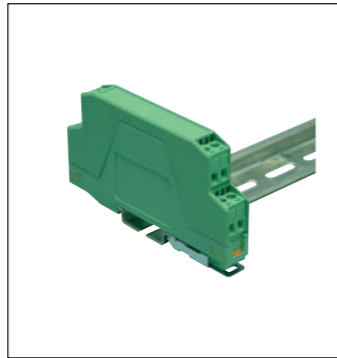
Dinkle electronic housing offers effective component protection and suitable for system integration. There are wide selections of varies dimensions for customer usage, such as a width of 12.5, 17.5, 22.5 and 35mm.

Industrial PA materials are used in electronic housings which feature low flammability and insulation levels that meet UL and IEC standards.

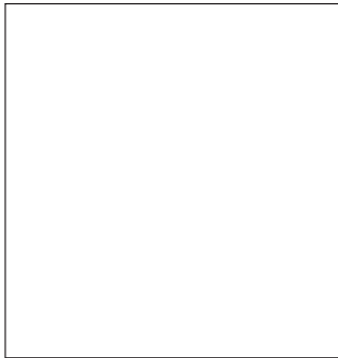
DMEN



DMEN-T6PGG	
Width (mm)	35.00mm
Color	Part number
●	DMEN-T6PKK
●	DMEN-T6PMM
Accessories	Part number
Top cover	DMEN-HT3TG0
Bottom housing	DMEN-HT6U0G
PCB connector socket (Left)	5EH-3PL
PCB connector socket (Right)	5EH-3PR
PCB terminal plug (Left)	5ESDT-03P
PCB terminal plug (Right)	--
Safety Cover	5EH-3PC
Earthing plug	0073B01500
Part number (with grounding)	DMEN-T6PGG-PE



DMES-T2PGG	
Width (mm)	12.50mm
Color	Part number
●	DMES-T2PKK
●	DMES-T2PMM
Accessories	Part number
Top cover	DMEN-HT2TG0
Bottom housing	DMES-HT2U0G
PCB connector socket (Left)	5EH-2PL
PCB connector socket (Right)	5EH-2PR
PCB terminal plug (Left)	5ESDT-02P
PCB terminal plug (Right)	--
Safety Cover	5EH-2PC
Earthing plug	--
Part number (with grounding)	--



Dimensions	
Width (mm)	35.00mm
Color	Part number
●	DMEN-T6PKK
●	DMEN-T6PMM
Accessories	Part number
Top cover	DMEN-HT3TG0
Bottom housing	DMEN-HT6U0G
PCB connector socket (Left)	5EH-3PL
PCB connector socket (Right)	5EH-3PR
PCB terminal plug (Left)	5ESDT-03P
PCB terminal plug (Right)	--
Safety Cover	5EH-3PC
Earthing plug	0073B01500
Part number (with grounding)	DMEN-T6PGG-PE

