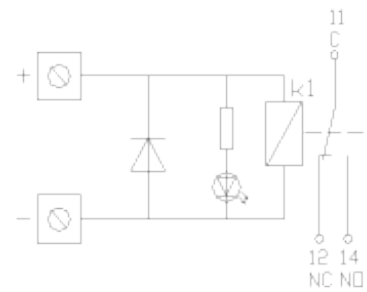
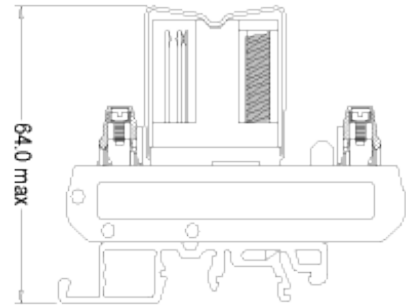
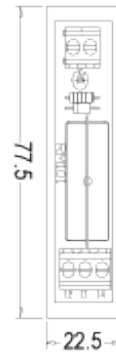


RM024D-1C01N-00M

Relay Board



Specification

Type	OMRON / G2R-1-E 24VDC
Relay Spec.	TYCO / RP310024
Type	DO Relay Board
Input Voltage	24VDC
Input Current	34mA
Output Max Voltage	250VAC
Output Max Current	16A
Power Indication Light	LED / Green
Signal Indication Light	LED / Yellow
Control Side / wire size	24-12AWG / 0.5-2.5mm ²
Field Side / wire size	24-12AWG / 0.5-2.5mm ²
Operating Temperature	-20~+55°C

Order Information

Interface Module Order Number
RM024D-1C01N-00M
RM024D-1C01N-00T
RM024D-1C01P-00M
RM024D-1C01P-00T