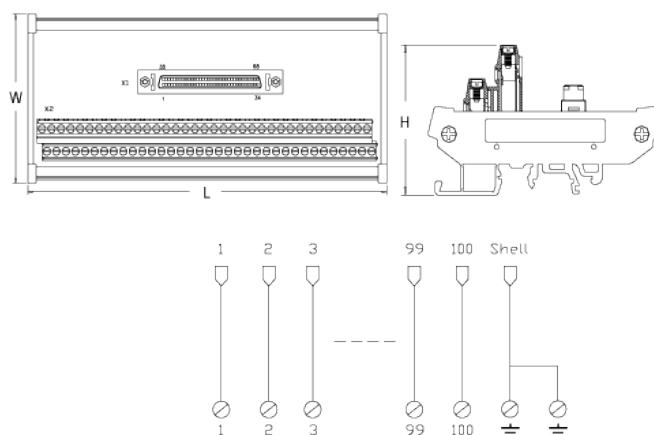
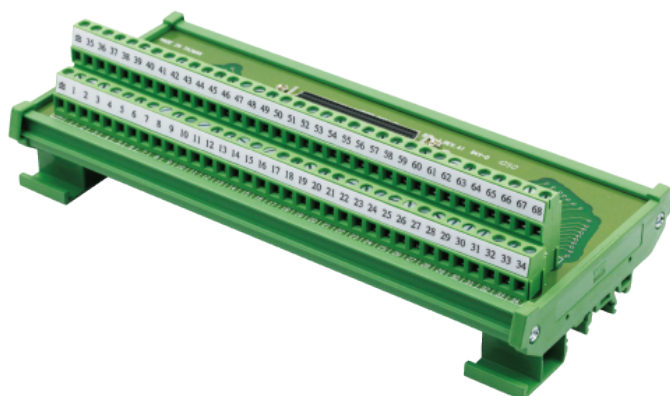


# MMXX-SM01CL

Interface Module



## Specification

Type	Direct Terminal Board
Rated Voltage	250V
Rated Current	1A
Control Side	SCSI Female
Field Side	24-12AWG / 0.5-2.5mm <sup>2</sup>
Operating Temperature	-20~ + 85°C

## Order Information

Interface Module Order Number	L X W X H (mm)
MM68-SM01CL	191.0 X 87.0 X 51.0
MM100-SM01CL	281.0 X 87.0 X 51.0