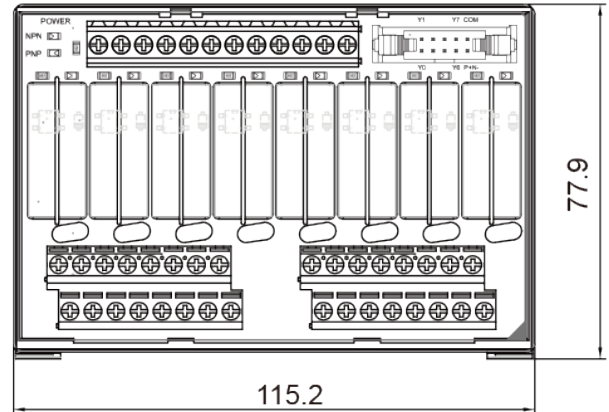
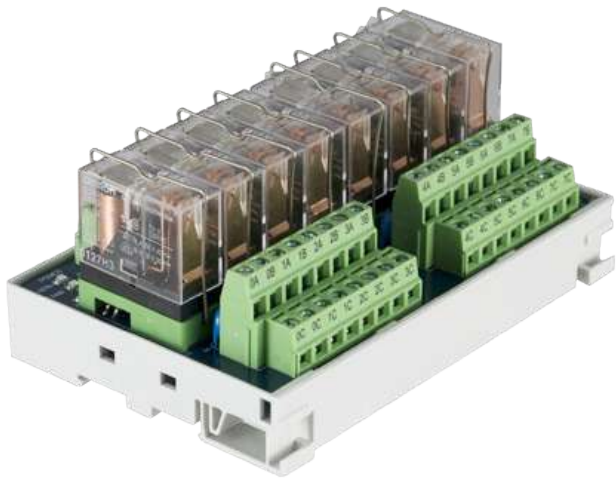


0240-96B0

Electronics & Interface > Relay Module



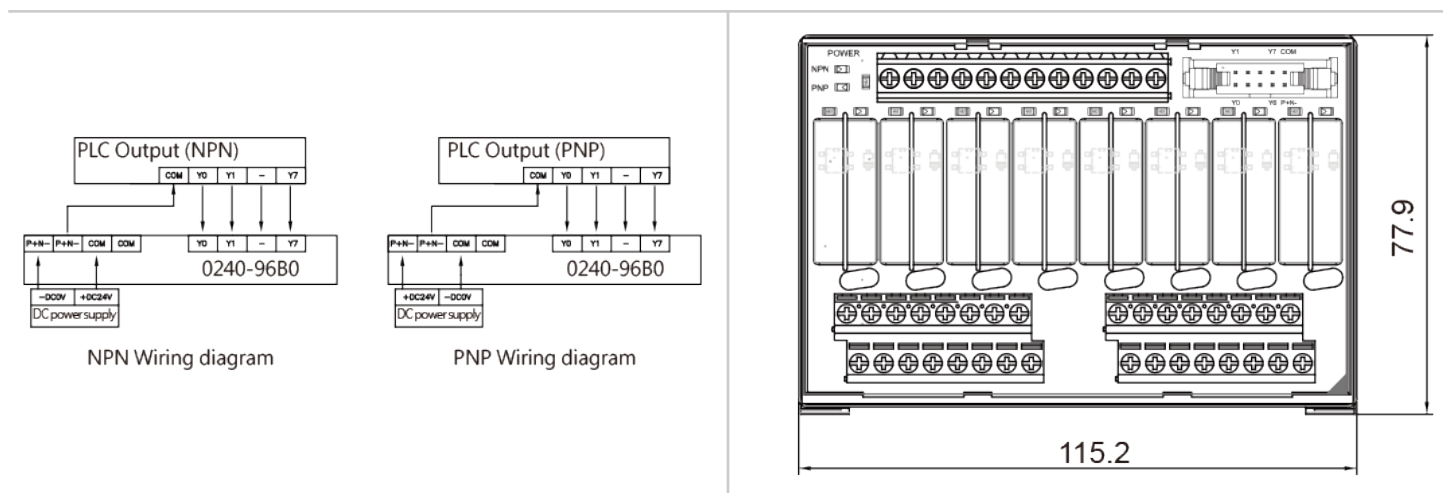
The web catalog is for reference only. Dinkle remains the right of product modification and engineering change of the design. The final product is made according to engineering drawing.

Specification

Input		Coil (each relay)	
Rated voltage		24VDC	
Rated current		21.8mA	
Coil resistance		1,100Ω	
Operating voltage		Above 70% rated voltage	
Reset Voltage		Below 15% rated voltage	
Maximum permitted voltage		110% rated voltage(at 70°C)	
Rated consumed power		About 0.53W	
Connection method		Screw connection+IDC	
Output		Contact (each relay)	
Relay specification	Contact type	1C	
	Rated control capacity (resistive load)	AC-250V : 16A / DC-30V : 16A	
	Rated control capacity(inductive load)	AC-250V : 8A / DC-30V : 8A	
	Maximum contact voltage	AC-380V / DC-120V	
	Maximum contact current	16A	
Connection method		Screw connection+IDC	

Relay module output	
Maximum allowable voltage/current	AC-250V / 10A
Electrical specification	
Operating time	Below 15ms
Reset time	AC : 10ms Below / DC : 5ms Below
Durability	
Mechanical	AC coil: 10,000,000 operations min(18,000 Ops/hr) DC coil: 20,000,000 operations min(18,000 Ops/hr)
Electrical	100,000 operations min(Rated load 1,800 Ops/hr)
Ambient	
Operating ambient temperature	-40 ~ +70°C(no freeze)
Operating ambient humidity	5 ~ 85% RH (no Condensation)
Size(LxWxH)(mm)	
	115.2 x 77.9 x 52.8
Accessories	WHH10/XX

Drawings



Approvals

