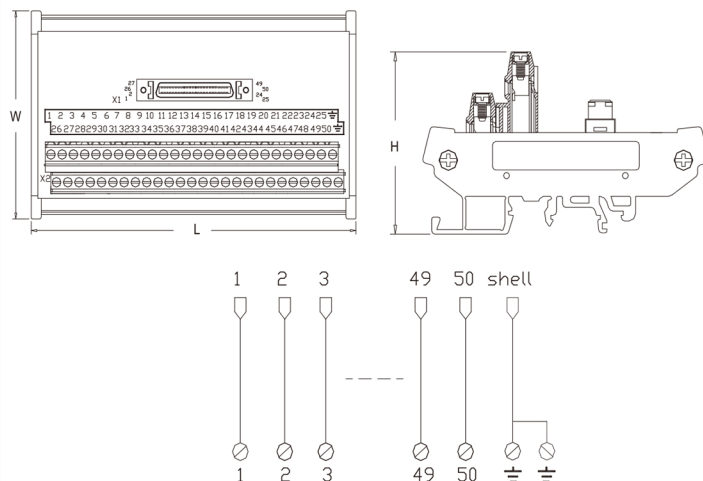
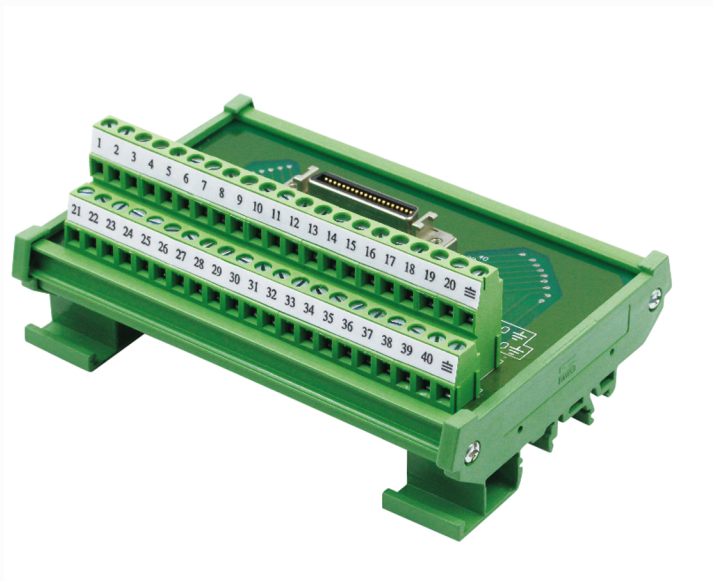


MMXX-3M01CL

Interface Module



Specification

Type	Direct Terminal Board
Rated Voltage	125V
Rated Current	1A
Control Side	3M MDR
Field Side	24-12AWG / 0.5-2.5mm ²
Operating Temperature	-20 ~ +85°C

Order Information

Interface Module Order Number	L X W X H (mm)
MM20-3M01CL	79.0 X 87.0 X 51.0
MM26-3M01CL	90.0 X 87.0 X 51.0
MM36-3M01CL	112.0 X 87.0 X 51.0
MM40-3M01CL	123.0 X 87.0 X 51.0
MM50-3M01CL	146.0 X 87.0 X 51.0
MM68-3M01CL	191.0 X 87.0 X 51.0
MM100-3M01CL	281.0 X 87.0 X 51.0