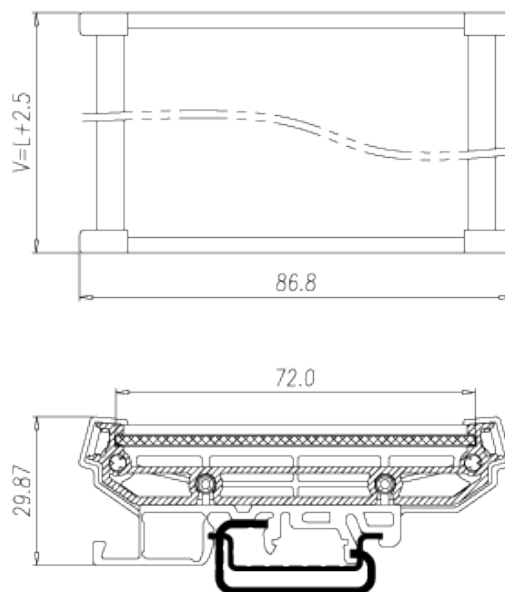


KMR-XXXX

PCB Carrier



Specification

PCB width	72mm
Panel mounting base – 1000mm	KMRC-1000
Panel mounting base – 2000mm	KMRC-2000
Right end cover	KMRMR
Left end cover	KMRML
Mounting foot (As the length of the mid-plate increases)	KM-PP
Length(mm)	
60	KMR-0060
:	:
:	:
2000	KMR-2000