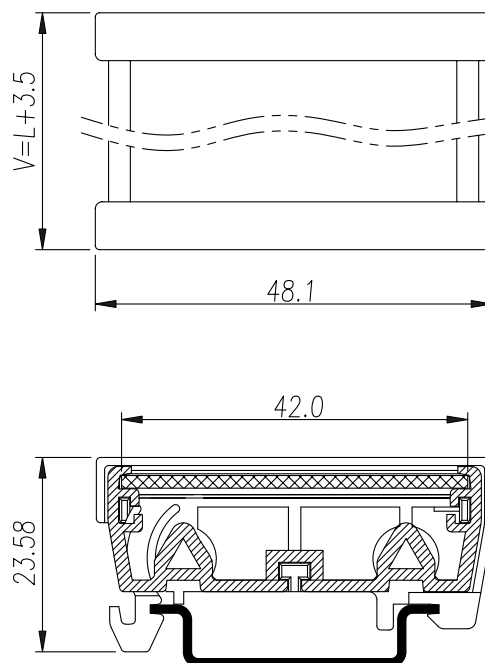


KMSR-XXXX

PCB Carrier



Specification

PCB width	42mm
Panel mounting base – 1000mm	KMSC-1000
Panel mounting base – 2000mm	KMSC-2000
Right end cover	KMSRMR
Left end cover	KMSRML
Mounting foot (As the length of the mid-plate increases)	--
Length(mm)	
60	KMSR-0060
:	:
:	:
2000	KMSR-2000