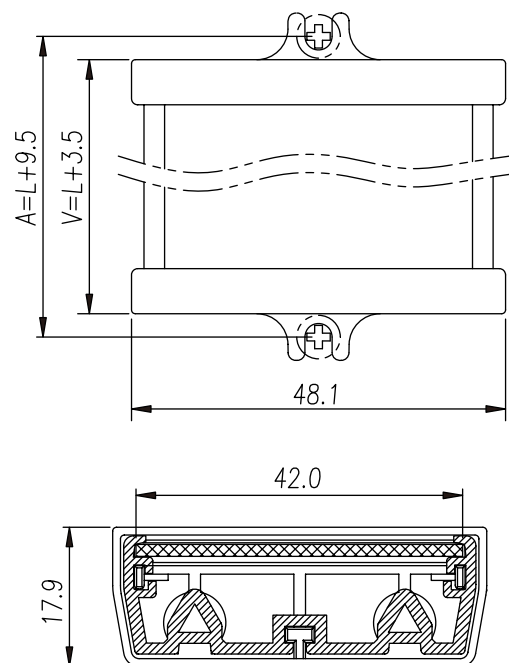


KMSP-XXXX

PCB Carrier



Specification

PCB width	42mm
Panel mounting base – 1000mm	KMSC-1000
Panel mounting base – 2000mm	KMSC-2000
Right end cover	KMSPM
Left end cover	KMSPM
Mounting foot (As the length of the mid-plate increases)	--
Length(mm)	
60	KMSP-0060
:	:
:	:
2000	KMSP-2000