

DINKLE ENTERPRISE CO., LTD.

No.19,Wuquan 2nd Road., Wugu District,
New Taipei City 248020, Taiwan
TEL:+886-2-8069-9000 7705-6900
FAX:+886-2-2290-1702
E-mail:service@dinkle.com
Web:www.dinkle.com

DINKLE INTERNATIONAL CO., LTD.

No.19,Wuquan 2nd Road., Wugu District,
New Taipei City 248020, Taiwan
TEL:+886-2-8069-9000 7705-6900
FAX:+886-2-2290-1702
E-mail:service@dinkle.com
Web:www.dinkle.com

OPTIKLE INTERNATIONAL CO., LTD.

Room 29, 1/F, Block B, Proficient Industrial Center,
No.6 Wang Kwun Road, Kowloon Bay, Kowloon,
HONG KONG
TEL:+852-2795-3840 2758-8005
FAX:+852-2753-6919
E-mail:Service.LY.Sales@dinkle.com.cn
Web:www.dinkle.com

DINKLE ELECTRIC MACHINERY (CHINA) CO., LTD.

No.388, Xingpu Mid Road, Shipu, Qiangeng Town,
Kunshan City, Jiangsu Province 215343, China
TEL:+86-512-5708-8588
FAX:+86-512-5708-8600
E-mail:Service.SH.Sales@dinkle.com.cn
Web:www.dinkle.com/kscn/

LI YANG ELECTRIC MACHINERY (DONGGUAN) CO., LTD.

No.2, Jinqianlin 1st Street, Jitigang Village, Huangjiang Town,
Dongguan City, Guangdong Province, China
TEL:+86-769-8336-4350 8336-4370
FAX:+86-769-8336-4314
E-mail:Service.LY.Sales@dinkle.com.cn
Web:www.dinkle.com

DINKLE CORPORATION, USA

13748 Pike Road, Missouri City, Texas, USA 77489
TEL:+1-832-539-4703
Toll-Free:+1-844-273-1850
FAX:+1-832-532-7226
E-mail:Service.US.Sales@dinkle.com
Web:www.dinkle.com/en/home

DINKLE S.R.L, ITALY

Via Stabilini n°14, 23864 Malgrate (LC), Italia
TEL:+39/03411716154
E-mail:Service.It.Sales@dinkle.com
Web:www.dinkle.com/it/

DINKLE ELECTRIC TRADING (SHANGHAI) CO., LTD.

Unit 3706, Grand Gateway Tower 2, No. 3 Hongqiao Road,
Xuhui District, Shanghai City.
TEL:+86-21-6487-0636 6487-5423
FAX:+86-21-3356-2500
E-mail:Service.SH.Sales@dinkle.com.cn
Web:www.dinkle.com/cn/

Beijing Sales Office

TEL:+86-10-5873-4338
FAX:+86-10-5873-4337
E-mail: Service.SH.Sales@dinkle.com.cn
Web: www.dinkle.com/cn/



E-mail : service@dinkle.com

Web : www.dinkle.com

Dinkle remains the right of product modification and engineering change of design.
The catalogue is for reference only. The final product is made according to actual
engineering drawing.

弊社標準品に関しては、修正や設計変更等が行われるため、カタログは参考であり、
詳細仕様は図面を基準とする。

本公司對產品保有修改、設變權，目錄僅供參考，實際產品仍需依照工程圖面
為準。

DEC./2024

Energy Storage Connector



DINKLE ENTERPRISE CO., LTD.

DF-016-03

Plug-in connectors for energy storage battery systems

Dinkle has launched energy storage connectors for lithium battery system, which is suitable for most applications of outdoor and industrial and commercial energy storage. The product complies with UL4128 standards, can withstand 1500VDC voltage, has IP67 high protection performance, and is foolproof and able to prevent from misplugging. It can provide more reliable, faster and safer connections for the clean energy industry.



Product Features

- After insertion, it can rotate in 360°, allowing flexible wire routing.
- It features positive and negative polarity and anti-mismatch structures to prevent errors when connecting battery terminals.
- Quick connection: The patented plug-and-play structure provides a fast and reliable wiring experience.
- Safety protection: With an IP67 protection rating, it offers comprehensive protection against electric shock even when not plugged in.
- Flexible installation: Supports various connection techniques on the device side, including crimping, busbar, threaded busbar, and threaded post.
- Visual color matching makes it easy to identify battery polarity.
- 350A plug has a patented secondary locking mechanism to prevent accidental detachment and provide additional safety protection.

Dinkle's 0105 series energy storage connectors can be widely used in solar power stations, international household energy storage, large electric vehicles and other fields.



Nominal voltage : 1500VDC
Max. Nominal current : 120A



0105-X16X Series



0105-X26X Series

General information				
Number of positions	1		1	
Color	Positive : Orange		Negative : Black	
Degree of protection	IP67 (Plug-in status)		IP67 (Plug-in status)	
Operating temperature (°C)	-40 ~ 125		-40 ~ 125	
Material specifications				
Housing Material	PA		PA	
Flammability rating according to UL 94	V0		V0	
Conductor material	Copper Alloy		Copper Alloy	
Conductor Surface Coating	Ag		Ag	
Seal material	Silicon		Silicon	
Halogen	None		None	
Electrical properties				
Nominal voltage(V _{DC})	1500		1500	
Nominal current (A)	76	120	76	120
Wire size (AWG)	6	4	6	4
Wire size (mm ²)	16	25	16	25
Rated surge voltage (kV)	12		12	
Contact resistance (Ω)	0.5		0.5	
Insulation resistance (MΩ at DC500V)	≥ 5000		≥ 5000	
Mechanical properties				
Insertion force(N)	≤ 75		≤ 75	
Insertion / withdrawal cycles	100		100	
External cable diameter (mm)	9.2 ~ 10.7		9.2 ~ 10.7	
Ordering information			Part number	
Product type	Terminal type	Screw	Positive	Negative
Plug	Crimp	No screw	0105-0160	0105-0260
		Zinc plated steel	0105-116A	0105-126A
Socket	Crimp	Stainless steel	0105-1161	0105-1261
		No screw	0105-1165	0105-1265
	Threaded post	No screw	0105-116B	0105-126B
		Zinc plated steel	0105-1162	0105-1262
	Threaded busbar	Stainless steel	0105-1166	0105-1266
		No screw	0105-116C	0105-126C
Copper busbar	Zinc plated steel	0105-1163	0105-1263	
	Stainless steel	0105-1167	0105-1267	
	No screw	0105-116D	0105-126D	
		Zinc plated steel	0105-1164	0105-1264
		Stainless steel	0105-1168	0105-1268

250A Energy Storage Connectors

Nominal voltage : 1500VDC
Max. Nominal current : 250A



0105-X11X Series



0105-X21X Series



General information

Number of positions	1	1
Color	Positive : Orange	Negative : Black
Degree of protection	IP67 (Plug-in status)	IP67 (Plug-in status)
Operating temperature (°C)	-40 ~ 125	-40 ~ 125

Material specifications

Housing Material	PA	PA
Flammability rating according to UL 94	V0	V0
Conductor material	Copper Alloy	Copper Alloy
Conductor Surface Coating	Ag	Ag
Seal material	Silicon	Silicon
Halogen	None	None

Electrical properties

Nominal voltage(V _{DC})	1500		1500	
Nominal current (A)	200	250	200	250
Wire size (AWG)	1/0	2/0	1/0	2/0
Wire size (mm ²)	50	70	50	70
Rated surge voltage (kV)	12		12	
Contact resistance (Ω)	0.5		0.5	
Insulation resistance (MΩ at DC500V)	≥ 5000		≥ 5000	

Mechanical properties

Insertion force(N)	≤ 100	≤ 100
Insertion / withdrawal cycles	100	100
External cable diameter (mm)	14.5 ~ 17	14.5 ~ 17

Ordering information

Part number

Product type	Terminal type	Screw	Positive	Negative	
Plug	Crimp	-	0105-0110	0105-0210	
		No screw	0105-111A	0105-121A	
Socket	Crimp	Zinc plated steel	0105-1111	0105-1211	
		Stainless steel	0105-1115	0105-1215	
		Threaded post	No screw	0105-111B	0105-121B
			Zinc plated steel	0105-1112	0105-1212
			Stainless steel	0105-1116	0105-1216
		Threaded busbar	No screw	0105-111C	0105-121C
	Zinc plated steel		0105-1113	0105-1213	
	Stainless steel		0105-1117	0105-1217	
	Copper busbar		No screw	0105-111D	0105-121D
			Zinc plated steel	0105-1114	0105-1214
			Stainless steel	0105-1118	0105-1218

350A Energy Storage Connectors

Nominal voltage : 1500VDC
Max. Nominal current : 350A



0105-X12X Series



0105-X22X Series



General information

Number of positions	1	1
Color	Positive : Orange	Negative : Black
Degree of protection	IP67 (Plug-in status)	IP67 (Plug-in status)
Operating temperature (°C)	-40 ~ 125	-40 ~ 125

Material specifications

Housing Material	PA	PA
Flammability rating according to UL 94	V0	V0
Conductor material	Copper Alloy	Copper Alloy
Conductor Surface Coating	Ag	Ag
Seal material	Silicon	Silicon
Halogen	None	None

Electrical properties

Nominal voltage(V _{DC})	1500		1500	
Nominal current (A)	300	350	300	350
Wire size (AWG)	3/0	4/0	3/0	4/0
Wire size (mm ²)	95	120	95	120
Rated surge voltage (kV)	12		12	
Contact resistance (Ω)	0.5		0.5	
Insulation resistance (MΩ at DC500V)	≥ 5000		≥ 5000	

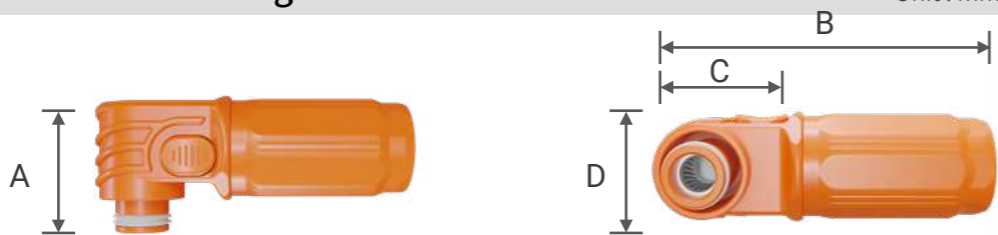
Mechanical properties

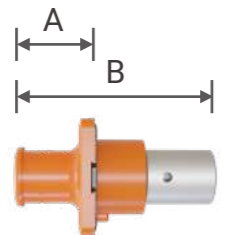
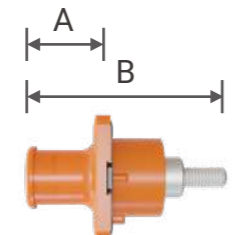
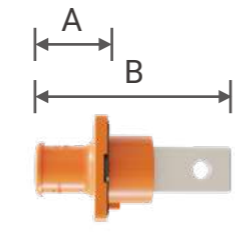
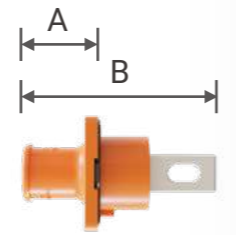
Insertion force(N)	≤ 100	≤ 100
Insertion / withdrawal cycles	100	100
External cable diameter (mm)	15.1 ~ 22.5	15.1 ~ 22.5

Ordering information

Part number

Product type	Terminal type	Screw	Positive	Negative	
Plug	Crimp	-	0105-0120	0105-0220	
		No screw	0105-112A	0105-122A	
Socket	Crimp	Zinc plated steel	0105-1121	0105-1221	
		Stainless steel	0105-1125	0105-1225	
		Threaded post	No screw	0105-112B	0105-122B
			Zinc plated steel	0105-1122	0105-1222
			Stainless steel	0105-1126	0105-1226
		Threaded busbar	No screw	0105-112C	0105-122C
	Zinc plated steel		0105-1123	0105-1223	
	Stainless steel		0105-1127	0105-1227	
	Copper busbar		No screw	0105-112D	0105-122D
			Zinc plated steel	0105-1124	0105-1224
			Stainless steel	0105-1128	0105-1228

Plug dimensions				
Unit : mm				
Diagram				
Part number	A	B	C	D
0105-0160	28.00	68.45	32.15	22.17
0105-0260				
0105-0110	35.03	80.30	35.30	26.68
0105-0210				
0105-0120	46.80	104.10	47.70	36.42
0105-0220				

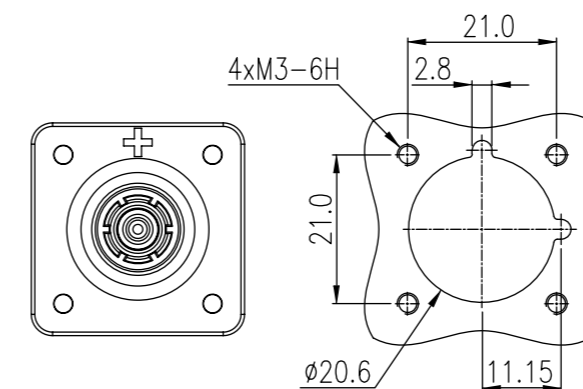
Socket dimensions									
Unit : mm									
Terminal type	Crimp		Threaded post		Threaded busbar		Copper busbar		
Diagram									
Part number	A	B	A	B	A	B	A	B	
0105-116X	18.90	55.50	18.90	47	18.90	55.5	18.90	55.50	
0105-126X									
0105-111X	23.50	60.70	23.50	58.90	23.50	67	23.50	60.70	
0105-121X									
0105-112X	23.55	61.50	23.55	57.45	23.55	67.30	23.55	59.55	
0105-122X									

Operating Instructions			
Requirement for plug mates socket, please both use corresponding products from Dinkle.			
Assembly	Connection method	Part number (Positive)	Part number (Negative)
Plug	Crimp	0105-0160	0105-0260
	Crimp	0105-1161	0105-1261
Socket	Threaded post	0105-1162	0105-1262
	Threaded busbar	0105-1163	0105-1263
	Copper busbar	0105-1164	0105-1264

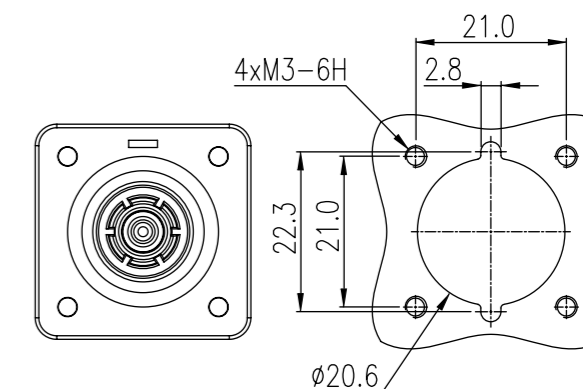
Technical data	
Standard	UL 4128
Operating Temperature(°C)	-40~125
Degree of Protection	IP67 (When plugged in and reaches rated torque)
Max. Rated Voltage (V _{DC})	1500
Wire Size (AWG)	6 4
Max. Nominal Current (A)	76 120

Socket installation diagram Unit : mm

Positive



Negative



120A Energy Storage Connectors - Installation Instructions

1

Wire Size (AWG)	L (mm)
6~4	22~24

2

Nominal wire size (AWG)	Suitable for sealing sleeves	Sleeve color
4	D9.6-D10.7	Blue
6	D8.4-D9.6	Green

3

Recommended Crimp Tools
JL-X620-30T
ShenZhen Juli Mechanical and Electrical Automation CO.,Ltd
xiaocui@julibrother.cn

Wire Size (AWG)	b
6	5.8mm±0.15
4	7.8mm±0.15

4

Fasten torque : 1.5 ~1.8 Nm

5

connect disconnect

Do not disconnect under load

Product is for indoor use only.
Safety Instructions: Only qualified electrical professionals are allowed to install and operate the product. The connector must not be disconnected under load. Only "+" and "+" are allowed to be connected, and "-" and "-" are allowed to be connected.
WARNING: Risk of burns
Connectors generate heat during operation. Depending on ambient conditions, it can generate heat up to 125° C. In this case, it is the user's responsibility to install warning signs (e.g. according to DIN EN ISO 13732-1).

250A Energy Storage Connectors - Installation Instructions

6

Socket (Crimp)
0105-1161/ 0105-1261

Wire Size (AWG)	b
6	5.8mm±0.15
4	7.8mm±0.15

Socket (Threaded post)
0105-1162/0105-1262

Socket (Threaded busbar)
0105-1163/0105-1263

Socket (Copper busbar)
0105-1164/0105-1264

Unit : mm

Operating Instructions

Requirement for plug mates socket, lease both use corresponding products from Dinkle.

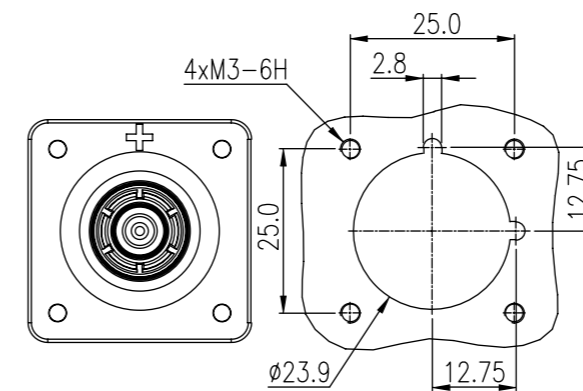
Assembly	Connection method	Part number (Positive)	Part number (Negative)
Plug	Crimp	0105-0110	0105-0210
	Crimp	0105-1111	0105-0211
Socket	Threaded post	0105-1112	0105-0212
	Threaded busbar	0105-1113	0105-0213
	Copper busbar	0105-1114	0105-0214

Technical data

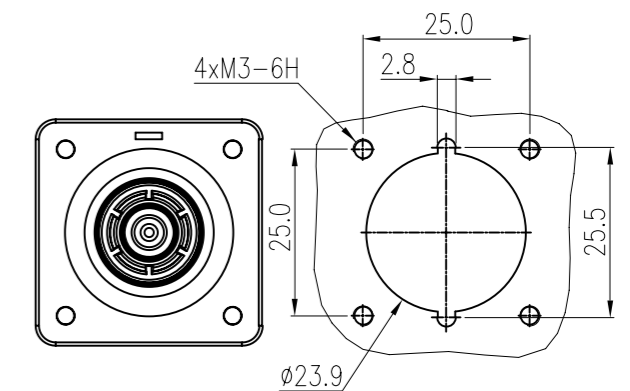
Standard	UL 4128	
Operating Temperature(°C)	-40~125	
Degree of Protection	IP67 (When plugged in and reaches rated torque)	
Max. Rated Voltage (V _{DC})	1500	
Wire Size (AWG)	1/0	2/0
Max. Nominal Current (A)	200	250

Socket installation diagram Unit : mm

Positive



Negative



250A Energy Storage Connectors - Installation Instructions

1

Wire Size (AWG)	L (mm)
1/0~2/0	20

2

Nominal wire size (AWG)	Suitable for sealing sleeves	Sleeve color
2/0	D16-D17	Blue
1/0	D14.5-D16	Green

3

Recommended Crimp Tools
JL-X620-30T
ShenZhen Juli Mechanical and Electrical Automation CO.,Ltd
xiaocui@julibrother.cn

Wire Size (AWG)	b
1/0	10mm±0.25
2/0	10.65mm±0.25

4

Fasten torque : 2.0 ~2.5 Nm

5

connect disconnect

Do not disconnect under load

Product is for indoor use only.
Safety Instructions: Only qualified electrical professionals are allowed to install and operate the product. The connector must not be disconnected under load. Only "+" and "+" are allowed to be connected, and "-" and "-" are allowed to be connected.
WARNING: Risk of burns
Connectors generate heat during operation. Depending on ambient conditions, it can generate heat up to 125° C. In this case, it is the user's responsibility to install warning signs (e.g. according to DIN EN ISO 13732-1).

350A Energy Storage Connectors - Installation Instructions

6

Socket (Crimp)
0105-1111/ 0105-1211

Wire Size (AWG)	b
1/0	10mm±0.25
2/0	10.65mm±0.25

Socket (Threaded post)
0105-1112/0105-1212

Socket (Threaded busbar)
0105-1113/0105-1213

Socket (Copper busbar)
0105-1114/0105-1214

Unit : mm

Operating Instructions

Requirement for plug mates socket, lease both use corresponding products from Dinkle.

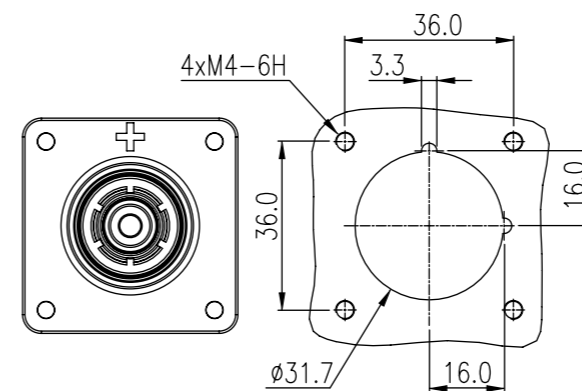
Assembly	Connection method	Part number (Positive)	Part number (Negative)
Plug	Crimp	0105-0120	0105-0220
	Crimp	0105-1121	0105-1221
Socket	Threaded post	0105-1122	0105-1222
	Threaded busbar	0105-1123	0105-1223
	Copper busbar	0105-1124	0105-1244

Technical data

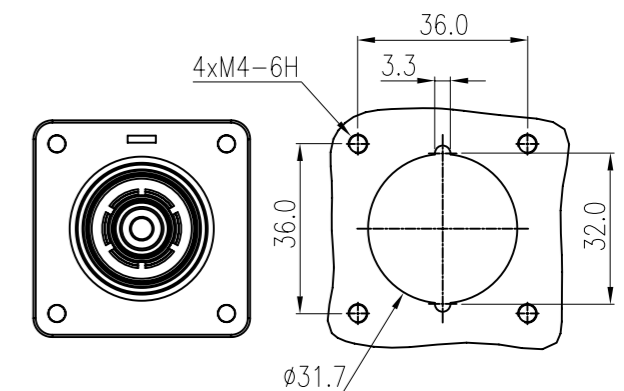
Standard	UL 4128	
Operating Temperature(°C)	-40~125	
Degree of Protection	IP67 (When plugged in and reaches rated torque)	
Max. Rated Voltage (V _{DC})	1500	
Wire Size (AWG)	3/0	4/0
Max. Nominal Current (A)	300	350

Socket installation diagram Unit : mm

Positive



Negative



1 Cable stripping

Wire Size (AWG)	L (mm)
3/0~4/0	29

2 Install the sealing sleeve, cable gripper and outer shield in sequence

Sealing sleeve Cable gripper Outer shield

Nominal wire size (AWG)	Suitable for sealing sleeves	Sleeve color
3/0	D15.1-D18.8	Blue
4/0	D18.8-D22.5	Green

3

Recommended Crimp Tools
JL-X620-30T
ShenZhen Juli Mechanical and Electrical Automation CO.,Ltd
xiaocui@julibrother.cn

Wire Size (AWG)	b
3/0	12.8mm±0.3
4/0	15.0mm±0.3

4

To have IP grade waterproof effect, it needs to reach the rated torque.
Fasten torque : 6.0 ~9.0 Nm

5-1 Connection instructions

Connecting plugs and sockets

Press the secondary lock until it clicks

5-2 Disconnect instructions

Do not disconnect under load

Product is for indoor use only.

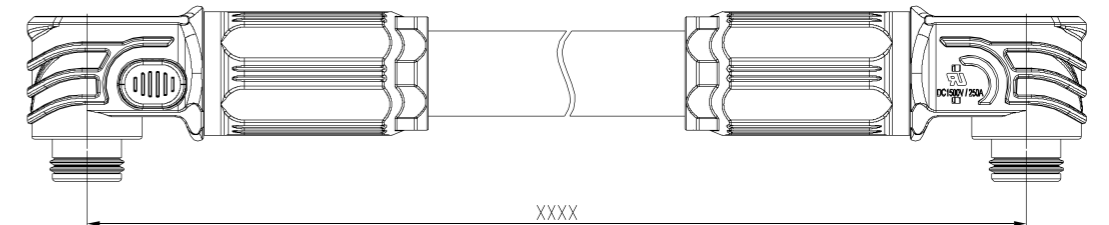
Safety Instructions: Only qualified electrical professionals are allowed to install and operate the product. The connector must not be disconnected under load. Only "+" and "+" are allowed to be connected, and "-" and "-" are allowed to be connected.

WARNING: Risk of burns

Connectors generate heat during operation. Depending on ambient conditions, it can generate heat up to 125° C. In this case, it is the user's responsibility to install warning signs (e.g. according to DIN EN ISO 13732-1).

Assembly	Bilateral Positive Plugs	Bilateral Negative Plugs	Positive & Negative Plugs on Both Ends
Diagram			
Wire Size / Max. Current	Part number		
6AWG / 76A	0105-1PPXXXX	0105-1NNXXXX	0105-1PNXXXX
4AWG / 120A	0105-2PPXXXX	0105-2NNXXXX	0105-2PNXXXX
1/0AWG / 200A	0105-3PPXXXX	0105-3NNXXXX	0105-3PNXXXX
2/0AWG / 250A	0105-4PPXXXX	0105-4NNXXXX	0105-4PNXXXX
3/0AWG / 300A	0105-5PPXXXX	0105-5NNXXXX	0105-5PNXXXX
4/0AWG / 350A	0105-6PPXXXX	0105-6NNXXXX	0105-6PNXXXX

Length diagram



"xxxx" represents the length (mm), measured between the center points of the connectors on both ends.
For example, if the demand is 1250mm, xxxx =1250; if the demand is 375mm, xxxx = 0375

Wire size (AWG)	ULAWM	Rated voltage	Nominal temperature	Flame retardant grade	Material	Diameter (mm)
6	11627	2000 V	105 °C	VW-1	PVC	9.4±0.2
4						10.2±0.2
1/0						14.8 ^{+0.7} _{-0.3}
2/0						16.0 ^{+1.0} ₋₀
3/0						18.2±0.5
4/0						21±1.0

6

Socket (Crimp)
0105-1121/ 0105-1221

Wire Size (AWG)	b
6	5.8mm±0.15
4	7.8mm±0.15

Socket (Threaded post)
0105-1122/0105-1222

Socket (Threaded busbar)
0105-1123/0105-1223

Socket (Copper busbar)
0105-1124/0105-1224

Unit: mm

Energy Storage Connectors - Assembly Part Numbers




Assembly part numbers of plug and socket

Diagram							
							
Polarity	Positive	Negative	Positive	Negative	Positive	Negative	
Color	Orange	Black	Orange	Black	Orange	Black	
Nominal current	76 - 120A		200 - 250A		300 - 350A		
Product type	Screw material	Part number					
Plug + crimp socket	No screws	0105-A16A	0105-A26A	0105-A11A	0105-A21A	0105-A12A	0105-A22A
	Zinc plated steel	0105-A161	0105-A261	0105-A111	0105-A211	0105-A121	0105-A221
	Stainless steel	0105-A165	0105-A265	0105-A115	0105-A215	0105-A125	0105-A225
Plug + threaded post socket	No screws	0105-A16B	0105-A26B	0105-A11B	0105-A21B	0105-A12B	0105-A22B
	Zinc plated steel	0105-A162	0105-A262	0105-A112	0105-A212	0105-A122	0105-A222
	Stainless steel	0105-A166	0105-A266	0105-A116	0105-A216	0105-A126	0105-A226
Plug + threaded busbar socket	No screws	0105-A16C	0105-A26C	0105-A11C	0105-A21C	0105-A12C	0105-A22C
	Zinc plated steel	0105-A163	0105-A263	0105-A113	0105-A213	0105-A123	0105-A223
	Stainless steel	0105-A167	0105-A267	0105-A117	0105-A217	0105-A127	0105-A227
Plug + busbar socket	No screws	0105-A16D	0105-A26D	0105-A11D	0105-A21D	0105-A12D	0105-A22D
	Zinc plated steel	0105-A164	0105-A264	0105-A114	0105-A214	0105-A124	0105-A224
	Stainless steel	0105-A168	0105-A268	0105-A118	0105-A218	0105-A128	0105-A228

* Screws sold separately.

Socket	Screw material	Product number	MOQ
120A / 250A	Zinc plated steel	S000138500-F	100 PCS
	Stainless steel	S000141000-F	100 PCS
350A	Zinc plated steel	S000140000-F	100 PCS
	Stainless steel	S000140900-F	100 PCS

* Protection cap sold separately.

Protection cap	Max. Nominal current	Product number
	120A	0105-C1
	250A	0105-C2
	350A	0105-C3