

DINKLE ENTERPRISE CO., LTD.

No. 19, Wuquan 2nd Road, Wugu District,
New Taipei City 248020, Taiwan
TEL:+886-2-8069-9000 7705-6900
FAX:+886-2-2290-1705
E-mail:service@dinkle.com
Web:www.dinkle.com

DINKLE INTERNATIONAL CO., LTD.

No. 19, Wuquan 2nd Road, Wugu District,
New Taipei City 248020, Taiwan
TEL:+886-2-8069-9000 7705-6900
FAX:+886-2-2290-1703
E-mail:service@dinkle.com
Web:www.dinkle.com

OPTIKLE INTERNATIONAL CO., LTD.

Unit 29, 1/F, Block B, Proficient Industrial Center,
No 6, Wang Kwun Rd., Kowloon Bay,
Kowloon, Hong Kong
TEL:+852-2795-3840 2758-8005
FAX:+852-2753-6919
E-mail:Service.LY.Sales@dinkle.com.cn
Web:www.dinkle.com

DINKLE ELECTRIC MACHINERY (CHINA) CO., LTD.

No. 388, Xingpu Mid Road, Shipu, Qiandeng Town,
Kunshan City, Jiangsu Province 215343, China
TEL:+86-512-5708-8588
FAX:+86-512-5708-8600
E-mail:Service.SH.Sales@dinkle.com.cn
Web:www.dinkle.com/ks-cn/

LI YANG ELECTRIC MACHINERY (DONGGUAN) CO., LTD.

No.2 1st Street, Jinqianling, Huangjiang Town,
Dongguan City, Guangdong Province 523757, China
TEL:+86-769-8336-4350 8336-4370
FAX:+86-769-8384-8634
E-mail:Service.LY.Sales@dinkle.com.cn
Web:www.dinkle.com

DINKLE CORPORATION, USA

13748 Pike Road, Missouri City, Texas 77489, United States
TEL: +1-832-391-8231
Toll-Free:+1-844-273-1850
FAX:+1-832-532-7226
E-mail:Service.US.Sales@dinkle.com
Web:www.dinkle.com/en/home

DINKLE S.R.L, ITALY

Via Stabilini 14, Malgrate Lombardia 23864, Italia
TEL:+39-34-1171-6154
E-mail:Service.It.Sales@dinkle.com
Web:www.dinkle.com/it/

DINKLE ELECTRIC TRADING (SHANGHAI) CO., LTD.

Room 1601, No 18, North Caoxi Road, Xuhui district, Shanghai,
China
TEL:+86-21-6487-0636 6487-5423
FAX:+86-21-3356-2500
E-mail:Service.SH.Sales@dinkle.com.cn
Web:www.dinkle.com/cn/

Beijing Sales Office

TEL:+86-10-5873-4338
FAX:+86-10-5873-4337
E-mail: Service.SH.Sales@dinkle.com.cn
Web: www.dinkle.com/cn/



E-mail : service@dinkle.com

Web : www.dinkle.com

Dinkle remains the right of product modification and engineering change of design.
The catalogue is for reference only. The final product is made according to actual
engineering drawing.

弊社標準品に関しては、修正や設計変更等が行われるため、カタログは参考であり、
詳細仕様は図面を基準とする。

本公司對產品保有修改、設變權，目錄僅供參考，實際產品仍需依照工程圖面
為準。

MAR./2026.V05

Terminal Block

Delight Through Connections



DINKLE , Delight Through Connections !!

Established on July 22, 1983, Dinkle, after decades of market refinement, has been improving over time, providing globalization services by the core capability of terminal block manufacturing, and becoming the best partner in the industrial fields.

Headquartered in Taiwan, there are five manufacturing sites around the world, it's easy to find Dinkle service locations in every country. We cultivate professionals from various countries to provide excellent services for electrical connections, electrical cabinets and communication electronic products.

The R&D center has more than 400 engineers to innovate product design, carry out digital transformation from information digitization to technology digitization, and develop products suitable for industrial fields. The automated manufacturing of production lines at each site ensures excellent product performance and quality.

All production bases are certified by ISO9001 and ISO 14001, and the products have passed UL, cUL, VDE, TUV, ENEC, LR and other safety certifications.



Table of Contents

PID (Push-In Design) PCB Connectors

| Pitch (mm) | Voltage (V) | Current (A) | Part number | Page | Remarks | Pitch (mm) | Voltage (V) | Current (A) | Part number | Page | Remarks |
|------------|-------------|-------------|-------------------|------|-------------------------|------------|-------------|-------------|--------------|------|-------------------------|
| 2.50 | 150 | 4 | ESC250L-XXP | 41 | | 3.50 | 300 | 8 | 0225-01XX | 23 | Screw flange/light pipe |
| 2.50 | 150 | 4 | ESC250V-XXP | 41 | | 3.50 | 300 | 8 | 0225-02XX | 23 | Engaging lever locking |
| 2.50 | 150 | 6 | 0288-1AXX | 15 | | 3.50 | 300 | 8 | 0225-03XX | 24 | Light pipe |
| 2.50 | 150 | 6 | 0288-1DXX | 16 | Snap-in locking | 3.50 | 300 | 8 | 0225-06XX | 24 | Screw flange |
| 2.50 | 150 | 6 | 0288-2AXX | 95 | Engaging lever locking | 3.50 | 300 | 8 | 0225-07XX | 24 | Engaging lever locking |
| 2.50 | 150 | 6 | 0288-AAXX | 95 | Assembly | 3.50 | 300 | 8 | 0225-08XX | 24 | |
| 2.50 | 150 | 6 | 0288-ADXX | 95 | Assembly | 3.50 | 300 | 8 | 0256-11XX | 3 | |
| 2.54 | 150 | 5 | 0156-1AXX-BK | 17 | Screw flange | 3.50 | 300 | 8 | 0256-12XX | 3 | Screw flange |
| 2.54 | 150 | 5 | 0156-1BXX-BK | 16 | | 3.50 | 300 | 8 | 0256-13XX | 3 | Engaging lever locking |
| 2.54 | 150 | 5 | 0156-1CXX-BK | 17 | Snap-in locking | 3.50 | 300 | 8 | 0256-14XX | 4 | Rotary hook locking |
| 2.54 | 150 | 5 | 0156-1DXX-BK | 17 | Rotary hook locking | 3.50 | 300 | 8 | 0256-21XX | 3 | |
| 2.54 | 150 | 6 | 0157-1BXX | 18 | | 3.50 | 300 | 8 | 0256-22XX | 3 | Screw flange |
| 3.50 | 150 | 8 | 0156-2AXX-BK | 19 | Screw flange | 3.50 | 300 | 8 | 0256-23XX | 3 | Engaging lever locking |
| 3.50 | 150 | 8 | 0156-2BXX-BK | 19 | | 3.50 | 300 | 8 | 0256-24XX | 4 | Rotary hook locking |
| 3.50 | 150 | 8 | 0156-2CXX-BK | 19 | Engaging lever locking | 3.50 | 300 | 8 | 0256-31XX | 3 | |
| 3.50 | 150 | 8 | 0156-2DXX-BK | 19 | Rotary hook locking | 3.50 | 300 | 8 | 0256-32XX | 3 | Screw flange |
| 3.50 | 300 | 8 | 0159-05XX | 22 | Screw flange/light pipe | 3.50 | 300 | 8 | 0256-33XX | 3 | Engaging lever locking |
| 3.50 | 300 | 8 | 0159-07XX | 22 | Light pipe | 3.50 | 300 | 8 | 0256-34XX | 4 | Rotary hook locking |
| 3.50 | 300 | 8 | 0159-08XX | 22 | Rotary hook locking | 3.50 | 300 | 8 | ESC350V-XXP | 42 | |
| 3.50 | 300 | 8 | 0181-A1XX | 92 | Screw flange | 3.50 | 300 | 8 | ESC350VK-XXP | 42 | Rotary hook locking |
| 3.50 | 300 | 8 | 0181-A3XX | 92 | | 3.50 | 300 | 8 | ESC350VM-XXP | 42 | Screw flange |
| 3.50 | 300 | 8 | 0218-21XX | 4 | | 3.50 | 300 | 10 | 0156-9AXX | 20 | Screw flange |
| 3.50 | 300 | 8 | 0218-21XXM0256-11 | 96 | Assembly | 3.50 | 300 | 10 | 0156-9BXX | 19 | |
| 3.50 | 300 | 8 | 0218-21XXM0256-21 | 96 | Assembly | 3.50 | 300 | 10 | 0156-9CXX | 19 | Press buckle locking |
| 3.50 | 300 | 8 | 0218-21XXM0256-31 | 96 | Assembly | 3.50 | 300 | 10 | 0156-9DXX | 20 | Rotary hook locking |
| 3.50 | 300 | 8 | 0218-23XX | 4 | | 3.50 | 300 | 10 | 0159-01XX | 21 | Screw flange |
| 3.50 | 300 | 8 | 0218-23XXM0256-13 | 96 | Assembly | 3.50 | 300 | 10 | 0159-03XX | 21 | |
| 3.50 | 300 | 8 | 0218-23XXM0256-23 | 96 | Assembly | 3.50 | 300 | 10 | 0159-04XX | 21 | Rotary hook locking |
| 3.50 | 300 | 8 | 0218-23XXM0256-33 | 96 | Assembly | 3.81 | 300 | 8 | 0221-42XX | 33 | |
| 3.50 | 300 | 8 | 0218-25XX | 4 | | 3.81 | 300 | 8 | 0221-43XX | 33 | Screw flange |
| 3.50 | 300 | 8 | 0218-25XXM0256-11 | 96 | Assembly | 3.81 | 300 | 8 | 0221-44XX | 33 | Engaging lever locking |
| 3.50 | 300 | 8 | 0218-25XXM0256-21 | 96 | Assembly | 3.81 | 300 | 8 | 0256-61XX | 5 | |
| 3.50 | 300 | 8 | 0218-25XXM0256-31 | 96 | Assembly | 3.81 | 300 | 8 | 0256-62XX | 5 | Screw flange |
| 3.50 | 300 | 8 | 0218-27XX | 4 | | 3.81 | 300 | 8 | 0256-63XX | 5 | Engaging lever locking |
| 3.50 | 300 | 8 | 0218-27XXM0256-13 | 96 | Assembly | 3.81 | 300 | 8 | 0256-64XX | 6 | Rotary hook locking |
| 3.50 | 300 | 8 | 0218-27XXM0256-23 | 96 | Assembly | 3.81 | 300 | 8 | 0256-71XX | 5 | |
| 3.50 | 300 | 8 | 0218-27XXM0256-33 | 96 | Assembly | 3.81 | 300 | 8 | 0256-72XX | 5 | Screw flange |
| 3.50 | 300 | 8 | 0218-2GXX | 4 | | 3.81 | 300 | 8 | 0256-73XX | 5 | Engaging lever locking |
| 3.50 | 300 | 8 | 0218-2GXXM0256-13 | 95 | Assembly | 3.81 | 300 | 8 | 0256-74XX | 6 | Rotary hook locking |
| 3.50 | 300 | 8 | 0218-2GXXM0256-33 | 95 | Assembly | 3.81 | 300 | 8 | 0256-81XX | 5 | |
| 3.50 | 300 | 8 | 0221-20XX | 31 | | 3.81 | 300 | 8 | 0256-82XX | 5 | Screw flange |
| 3.50 | 300 | 8 | 0221-21XX | 32 | Engaging lever locking | 3.81 | 300 | 8 | 0256-83XX | 5 | Engaging lever locking |
| 3.50 | 300 | 8 | 0221-24XX | 32 | Snap-in locking | 3.81 | 300 | 8 | 0256-84XX | 6 | Rotary hook locking |
| 3.50 | 300 | 8 | 0221-28XX | 32 | Screw flange | 3.81 | 300 | 8 | ESC381V-XXP | 42 | |
| 3.50 | 300 | 8 | 0221-29XX | 32 | Rotary hook locking | 3.81 | 300 | 8 | ESC381VK-XXP | 42 | Rotary hook locking |



PID (Push-In Design) PCB Connectors

| Pitch (mm) | Voltage (V) | Current (A) | Part number | Page | Remarks | Pitch (mm) | Voltage (V) | Current (A) | Part number | Page | Remarks |
|------------|-------------|-------------|--------------|------|-------------------------|------------|-------------|-------------|--------------|------|---------------------------|
| 3.81 | 300 | 8 | ESC381VM-XXP | 42 | Screw flange | 5.08 | 300 | 8 | ESC508VM-XXP | 44 | Screw flange |
| 5.00 | 300 | 10 | 0226-01XX | 25 | Screw flange/light pipe | 5.08 | 300 | 10 | 0121-01XX | 45 | Screw flange / test holes |
| 5.00 | 300 | 10 | 0226-02XX | 25 | Engaging lever locking | 5.08 | 300 | 10 | 2ESDS-XXP | 44 | |
| 5.00 | 300 | 10 | 0226-03XX | 25 | Light pipe | 5.08 | 300 | 10 | 2ESDSM-XXP | 44 | Screw flange |
| 5.00 | 300 | 10 | 0226-06XX | 26 | Screw flange | 5.08 | 300 | 10 | 2ESDSR-XXP | 44 | |
| 5.00 | 300 | 10 | 0226-07XX | 26 | Engaging lever locking | 5.08 | 300 | 10 | 2ESDSRM-XXP | 44 | Screw flange |
| 5.00 | 300 | 10 | 0226-08XX | 26 | | 5.08 | 300 | 10 | 2ESDSV-XXP | 45 | |
| 5.00 | 300 | 10 | 5ESDS-XXP | 43 | | 5.08 | 300 | 10 | 2ESDSVK-XXP | 45 | Rotary hook locking |
| 5.00 | 300 | 10 | 5ESDSM-XXP | 43 | Screw flange | 5.08 | 300 | 10 | 2ESDSVM-XXP | 45 | Screw flange |
| 5.00 | 300 | 10 | 5ESDSR-XXP | 43 | | 5.08 | 300 | 10 | 2ESR-XXP | 36 | |
| 5.00 | 300 | 10 | 5ESDSRM-XXP | 43 | Screw flange | 5.08 | 300 | 10 | 2ESRK-XXP | 36 | Rotary hook locking |
| 5.00 | 300 | 10 | 5ESR-XXP | 34 | | 5.08 | 300 | 10 | 2ESRM-XXP | 36 | Screw flange |
| 5.00 | 300 | 10 | 5ESRK-XXP | 34 | Rotary hook locking | 5.08 | 300 | 10 | 2ESV-XXP | 36 | |
| 5.00 | 300 | 10 | 5ESRM-XXP | 34 | Screw flange | 5.08 | 300 | 10 | 2ESVK-XXP | 36 | Rotary hook locking |
| 5.00 | 300 | 10 | 5ESV-XXP | 34 | | 5.08 | 300 | 10 | 2ESVM-XXP | 36 | Screw flange |
| 5.00 | 300 | 10 | 5ESVK-XXP | 34 | Rotary hook locking | 5.08 | 300 | 12 | 0229-A5XXY | 98 | Inverted plug |
| 5.00 | 300 | 10 | 5ESVM-XXP | 34 | Screw flange | 5.08 | 300 | 12 | 0229-A9XXY | 98 | Inverted plug |
| 5.00 | 300 | 15 | 0161-01XX | 93 | Screw flange | 5.08 | 300 | 12 | 0229-F4XX | 29 | Screw flange |
| 5.00 | 300 | 15 | 0161-02XX | 93 | Engaging lever locking | 5.08 | 300 | 12 | 0229-F5XX | 29 | Engaging lever locking |
| 5.00 | 300 | 15 | 0161-03XX | 93 | | 5.08 | 300 | 12 | 0229-F5XXY | 98 | Snap-in locking |
| 5.00 | 300 | 15 | 0161-04XX | 93 | Rotary hook locking | 5.08 | 300 | 12 | 0229-F9XX | 29 | |
| 5.00 | 300 | 15 | 0189-25XX | 130 | | 5.08 | 300 | 12 | 0229-F9XXY | 98 | |
| 5.00 | 300 | 15 | 0227-01XX | 27 | Screw flange/light pipe | 5.08 | 300 | 12 | 0229-FAXX | 30 | Rotary hook locking |
| 5.00 | 300 | 15 | 0227-02XX | 27 | Engaging lever locking | 5.08 | 300 | 12 | 0229-M5XXY | 98 | Assembly |
| 5.00 | 300 | 15 | 0227-03XX | 27 | Light pipe | 5.08 | 300 | 12 | 0229-M9XXY | 98 | Assembly |
| 5.00 | 300 | 15 | 0227-04XX | 27 | Rotary hook locking | 5.08 | 300 | 12 | 2ESDB-XXP | 94 | |
| 5.00 | 300 | 15 | 0227-06XX | 28 | Screw flange | 5.08 | 300 | 12 | 2ESDBA-XXP | 94 | |
| 5.00 | 300 | 15 | 0227-07XX | 28 | Engaging lever locking | 5.08 | 300 | 12 | 2ESDBAM-XXP | 94 | Screw flange |
| 5.00 | 300 | 15 | 0227-08XX | 28 | | 5.08 | 300 | 12 | 2ESDBM-XXP | 94 | Screw flange |
| 5.00 | 300 | 15 | 0227-09XX | 28 | Rotary hook locking | 5.08 | 300 | 15 | 0257-61XX | 8 | |
| 5.00 | 300 | 15 | 0257-11XX | 7 | | 5.08 | 300 | 15 | 0257-62XX | 8 | Screw flange |
| 5.00 | 300 | 15 | 0257-12XX | 7 | Screw flange | 5.08 | 300 | 15 | 0257-64XX | 8 | Rotary hook locking |
| 5.00 | 300 | 15 | 0257-14XX | 7 | Rotary hook locking | 5.08 | 300 | 15 | 0257-71XX | 8 | |
| 5.00 | 300 | 15 | 0257-21XX | 7 | | 5.08 | 300 | 15 | 0257-72XX | 8 | Screw flange |
| 5.00 | 300 | 15 | 0257-22XX | 7 | Screw flange | 5.08 | 300 | 15 | 0257-74XX | 8 | Rotary hook locking |
| 5.00 | 300 | 15 | 0257-24XX | 7 | Rotary hook locking | 5.08 | 300 | 15 | 0257-81XX | 8 | |
| 5.00 | 300 | 15 | 0257-31XX | 7 | | 5.08 | 300 | 15 | 0257-82XX | 8 | Screw flange |
| 5.00 | 300 | 15 | 0257-32XX | 7 | Screw flange | 5.08 | 300 | 15 | 0257-84XX | 8 | Rotary hook locking |
| 5.00 | 300 | 15 | 0257-34XX | 7 | Rotary hook locking | 5.08 | 300 | 15 | 2ESS-XXP | 35 | |
| 5.00 | 300 | 15.5 | 0234-20XX-MW | 40 | Snap-in locking | 5.08 | 300 | 15 | 2ESSM-XXP | 35 | Screw flange |
| 5.08 | 300 | 8 | 0225-04XX | 29 | Screw flange | 5.08 | 300 | 16 | 0150-20XX | 37 | Lock flange beneath |
| 5.08 | 300 | 8 | 0225-05XX | 29 | Engaging lever locking | 6.35 | 600 | 20 | 0150-30XX | 38 | Lock flange beneath |
| 5.08 | 300 | 8 | 0225-09XX | 29 | | 7.50 | 600 | 15 | 0150-40XX | 38 | Lock flange beneath |
| 5.08 | 300 | 8 | 0225-0AXX | 30 | Rotary hook locking | 7.50 | 300 | 15.5 | 0254-20XX | 40 | Snap-in locking |
| 5.08 | 300 | 8 | ESC508V-XXP | 44 | | 7.50 | 300 | 16 | 0254-30XX | 40 | Snap-in locking |

Table of Contents

PID (Push-In Design) PCB Connectors

| Pitch (mm) | Voltage (V) | Current (A) | Part number | Page | Remarks | Pitch (mm) | Voltage (V) | Current (A) | Part number | Page | Remarks |
|------------|-------------|-------------|--------------|------|-----------------|------------|-------------|-------------|--------------|------|--------------|
| 7.50 | 300 | 16 | 0234-30XX-MW | 40 | Snap-in locking | 7.62 | 300 | 16 | 0258-61XX | 9 | |
| 7.62 | 300 | 10 | 3ESDS-XXP | 46 | | 7.62 | 300 | 18 | 3ESDSRH-XXP | 46 | |
| 7.62 | 300 | 10 | 3ESDSM-XXP | 46 | Screw flange | 7.62 | 300 | 18 | 3ESDSRHM-XXP | 46 | Screw flange |
| 7.62 | 300 | 10 | 3ESDSR-XXP | 46 | | 10.16 | 600 | 51 | 0187-A4XX | 94 | |
| 7.62 | 300 | 10 | 3ESDSRM-XXP | 46 | Screw flange | | | | | | |

Sockets (Headers)

| Pitch (mm) | Voltage (V) | Current (A) | Part number | Page | Remarks | Pitch (mm) | Voltage (V) | Current (A) | Part number | Page | Remarks |
|------------|-------------|-------------|--------------|------|------------------|------------|-------------|-------------|--------------|------|---------------------------|
| 2.50 | 150 | 4 | ECH250V-XXP | 68 | | 3.50 | 150 | 8 | 0159-31XXWR | 84 | T&R package |
| 2.50 | 150 | 4 | ECH250V-XXPL | 68 | THR | 3.50 | 150 | 8 | 0159-32XX | 21 | |
| 2.50 | 150 | 4 | ECH250R-XXP | 68 | | 3.50 | 150 | 8 | 0159-32XXL | 21 | THR |
| 2.50 | 150 | 4 | ECH250R-XXPL | 68 | THR | 3.50 | 150 | 8 | 0159-32XXLWR | 84 | THR, T&R package |
| 2.50 | 150 | 4 | ECHB250V-XXP | 68 | | 3.50 | 150 | 8 | 0159-32XXWR | 84 | T&R package |
| 2.50 | 150 | 4 | ECHB250R-XXP | 68 | | 3.50 | 150 | 8 | 0159-33XX | 22 | |
| 2.54 | 150 | 5 | 0156-10XX | 16 | | 3.50 | 150 | 8 | 0159-33XXL | 22 | THR |
| 2.54 | 150 | 5 | 0156-10XXL | 16 | THR | 3.50 | 300 | 8 | 0221-22XX-BK | 31 | Dual row |
| 2.54 | 150 | 5 | 0156-12XX | 17 | Threaded flange | 3.50 | 300 | 8 | 0221-22XXL | 31 | THR, dual row |
| 2.54 | 150 | 5 | 0156-12XXL | 17 | THR | 3.50 | 300 | 8 | 0221-23XXL | 31 | THR, dual row |
| 2.54 | 150 | 5 | 0156-13XX | 17 | Threaded flange | 3.50 | 300 | 8 | 0221-25XX-BK | 31 | Triple row |
| 2.54 | 150 | 5 | 0156-13XXL | 17 | THR | 3.50 | 300 | 8 | 0221-25XXL | 31 | THR |
| 2.54 | 150 | 5 | 0156-15XX | 16 | | 3.50 | 300 | 8 | 0221-26XXL | 32 | Snap-in locking/THR |
| 2.54 | 150 | 5 | 0156-15XXL | 16 | THR | 3.50 | 300 | 8 | 0221-27XX-BK | 32 | Snap-in locking, dual row |
| 2.54 | 150 | 5 | 0156-16XX | 17 | Snap-in locking | 3.50 | 300 | 8 | 0221-27XXL | 32 | THR |
| 2.54 | 150 | 5 | 0156-16XXL | 17 | THR | 3.50 | 300 | 8 | 0221-35XXL | 32 | Threaded flange/THR |
| 2.54 | 150 | 5 | 0156-17XX | 17 | Threaded flange | 3.50 | 300 | 8 | 0221-36XXL | 32 | Threaded flange/THR |
| 2.54 | 150 | 5 | 0156-17XXL | 17 | THR | 3.50 | 300 | 8 | 0221-41XX-BK | 31 | Triple row |
| 2.54 | 150 | 5 | 0156-18XX | 17 | Threaded flange | 3.50 | 300 | 8 | 0221-41XXL | 31 | THR |
| 2.54 | 150 | 5 | 0156-18XXL | 17 | THR | 3.50 | 300 | 8 | 0225-13XX | 23 | Threaded flange |
| 2.54 | 150 | 5 | 0156-19XX | 17 | Snap-in locking | 3.50 | 300 | 8 | 0225-13XXL | 23 | THR |
| 2.54 | 150 | 5 | 0156-19XXL | 17 | THR | 3.50 | 300 | 8 | 0225-14XX | 23 | Threaded flange |
| 2.54 | 150 | 6 | 0157-10XXL | 18 | THR | 3.50 | 300 | 8 | 0225-14XXL | 23 | THR |
| 2.54 | 150 | 6 | 0157-15XXL | 18 | THR | 3.50 | 300 | 8 | 0225-16XX | 24 | Threaded flange |
| 3.50 | 150 | 8 | 0159-11XX | 21 | Threaded flange | 3.50 | 300 | 8 | 0225-16XXL | 24 | THR |
| 3.50 | 150 | 8 | 0159-11XXL | 21 | THR | 3.50 | 300 | 8 | 0225-17XX | 24 | Threaded flange |
| 3.50 | 150 | 8 | 0159-11XXLWR | 84 | THR, T&R package | 3.50 | 300 | 8 | 0225-17XXL | 24 | THR |
| 3.50 | 150 | 8 | 0159-11XXWR | 84 | T&R package | 3.50 | 300 | 8 | 0225-23XX | 23 | Engaging lever locking |
| 3.50 | 150 | 8 | 0159-12XX | 21 | Threaded flange | 3.50 | 300 | 8 | 0225-23XXL | 23 | THR |
| 3.50 | 150 | 8 | 0159-12XXL | 21 | THR | 3.50 | 300 | 8 | 0225-24XX | 23 | Engaging lever locking |
| 3.50 | 150 | 8 | 0159-12XXLWR | 84 | THR, T&R package | 3.50 | 300 | 8 | 0225-24XXL | 23 | THR |
| 3.50 | 150 | 8 | 0159-12XXWR | 84 | T&R package | 3.50 | 300 | 8 | 0225-26XX | 24 | Engaging lever locking |
| 3.50 | 150 | 8 | 0159-13XX | 22 | Threaded flange | 3.50 | 300 | 8 | 0225-26XXL | 24 | THR |
| 3.50 | 150 | 8 | 0159-13XXL | 22 | THR | 3.50 | 300 | 8 | 0225-27XX | 24 | Engaging lever locking |
| 3.50 | 150 | 8 | 0159-31XX | 21 | | 3.50 | 300 | 8 | 0225-27XXL | 24 | THR |
| 3.50 | 150 | 8 | 0159-31XXL | 21 | THR | 3.50 | 300 | 8 | 0225-33XX | 24 | Light hole |
| 3.50 | 150 | 8 | 0159-31XXLWR | 84 | THR, T&R package | 3.50 | 300 | 8 | 0225-33XXL | 24 | THR |

Sockets (Headers)

| Pitch (mm) | Voltage (V) | Current (A) | Part number | Page | Remarks | Pitch (mm) | Voltage (V) | Current (A) | Part number | Page | Remarks |
|------------|-------------|-------------|------------------|------|------------------------|------------|-------------|-------------|-----------------|------|----------------------|
| 3.50 | 300 | 8 | 0225-34XX | 24 | Light hole | 3.50 | 300 | 8 | ECH350VM-XXPLWR | 85 | THR, T&R package |
| 3.50 | 300 | 8 | 0225-34XXL | 24 | THR | 3.50 | 300 | 8 | ECH350VM-XXPWR | 85 | T&R package |
| 3.50 | 300 | 8 | 0225-36XX | 24 | | 3.50 | 300 | 8 | ECH350VT-XXPL | 70 | THR |
| 3.50 | 300 | 8 | 0225-36XXL | 24 | THR | 3.50 | 300 | 8 | ECH350VT-XXPLWR | 85 | THR, T&R package |
| 3.50 | 300 | 8 | 0225-37XX | 24 | | 3.50 | 300 | 8 | ECHB350R-XXP | 70 | |
| 3.50 | 300 | 8 | 0225-37XXL | 24 | THR | 3.50 | 300 | 8 | ECHB350RM-XXP | 70 | Threaded flange |
| 2.50 | 150 | 6 | 0288-6AXXSMDWR | 15 | | 3.50 | 300 | 8 | ECHB350V-XXP | 70 | |
| 2.50 | 150 | 6 | 0288-6AXXLWR | 15 | | 3.50 | 300 | 8 | ECHB350VM-XXP | 70 | Threaded flange |
| 2.50 | 150 | 6 | 0288-6BXXSMDWR | 15 | | 3.50 | 300 | 8 | EECH350R-XXP | 70 | |
| 2.50 | 150 | 6 | 0288-6BXXLWR | 16 | | 3.50 | 300 | 8 | EECH350RM-XXP | 70 | Threaded flange |
| 2.50 | 150 | 6 | 0288-8AXXSMDWR | 16 | Snap-in locking | 3.50 | 300 | 8 | EECH350V-XXP | 70 | |
| 2.50 | 150 | 6 | 0288-8BXXSMDWR | 16 | Snap-in locking | 3.50 | 300 | 8 | EECH350VM-XXP | 70 | Threaded flange |
| 2.50 | 150 | 6 | 0288-9AXXSMDWR | 15 | | 3.50 | 150 | 10 | 0156-20XX-BK | 19 | |
| 3.50 | 300 | 8 | ECH350H-XXP | 70 | | 3.50 | 150 | 10 | 0156-20XX-BK-WR | 84 | T&R package |
| 3.50 | 300 | 8 | ECH350R-XXP | 69 | | 3.50 | 150 | 10 | 0156-20XXL | 19 | THR |
| 3.50 | 300 | 8 | ECH350R-XXPL | 69 | THR | 3.50 | 150 | 10 | 0156-20XXLWR | 84 | THR, T&R package |
| 3.50 | 300 | 8 | ECH350R-XXPLWR | 85 | T&R package/THR | 3.50 | 150 | 10 | 0156-21XX-BK | 19 | Threaded flange |
| 3.50 | 300 | 8 | ECH350R-XXPWR | 85 | T&R package | 3.50 | 150 | 10 | 0156-21XX-BK-WR | 84 | T&R package |
| 3.50 | 300 | 8 | ECH350RD-XXP | 69 | Rotary hook locking | 3.50 | 150 | 10 | 0156-21XXL | 19 | THR |
| 3.50 | 300 | 8 | ECH350RG-XXP | 70 | Light pipe | 3.50 | 150 | 10 | 0156-21XXLWR | 84 | THR, T&R package |
| 3.50 | 300 | 8 | ECH350RJ-XXP | 32 | Engaging lever locking | 3.50 | 150 | 10 | 0156-22XX-BK | 20 | Threaded flange |
| 3.50 | 300 | 8 | ECH350RJ-XXPL | 32 | THR | 3.50 | 150 | 10 | 0156-22XXL | 20 | THR |
| 3.50 | 300 | 8 | ECH350RM-XXP | 32 | Threaded flange | 3.50 | 150 | 10 | 0156-24XX-BK | 19 | Press buckle locking |
| 3.50 | 300 | 8 | ECH350RM-XXPL | 32 | THR | 3.50 | 150 | 10 | 0156-24XX-BK-WR | 84 | T&R package |
| 3.50 | 300 | 8 | ECH350RM-XXPLWR | 85 | T&R package/THR | 3.50 | 150 | 10 | 0156-24XXL | 19 | THR |
| 3.50 | 300 | 8 | ECH350RM-XXPWR | 85 | T&R package | 3.50 | 150 | 10 | 0156-24XXLWR | 84 | THR, T&R package |
| 3.50 | 300 | 8 | ECH350RR-XXP | 69 | | 3.50 | 150 | 10 | 0156-25XX-BK | 19 | |
| 3.50 | 300 | 8 | ECH350RR-XXPL | 69 | THR | 3.50 | 150 | 10 | 0156-25XX-BK-WR | 84 | T&R package |
| 3.50 | 300 | 8 | ECH350RR-XXPLWR | 85 | T&R package/THR | 3.50 | 150 | 10 | 0156-25XXL | 19 | THR |
| 3.50 | 300 | 8 | ECH350RR-XXPWR | 85 | T&R package | 3.50 | 150 | 10 | 0156-25XXLWR | 84 | THR, T&R package |
| 3.50 | 300 | 8 | ECH350RRM-XXP | 69 | Threaded flange | 3.50 | 150 | 10 | 0156-26XX-BK | 19 | Threaded flange |
| 3.50 | 300 | 8 | ECH350RRM-XXPL | 69 | THR | 3.50 | 150 | 10 | 0156-26XX-BK-WR | 84 | T&R package |
| 3.50 | 300 | 8 | ECH350RRM-XXPLWR | 85 | T&R package/THR | 3.50 | 150 | 10 | 0156-26XXL | 19 | THR |
| 3.50 | 300 | 8 | ECH350RRM-XXPWR | 85 | T&R package | 3.50 | 150 | 10 | 0156-26XXLWR | 84 | THR, T&R package |
| 3.50 | 300 | 8 | ECH350RT-XXPL | 70 | THR | 3.50 | 150 | 10 | 0156-27XX-BK | 20 | Threaded flange |
| 3.50 | 300 | 8 | ECH350RT-XXPLWR | 85 | THR, T&R package | 3.50 | 150 | 10 | 0156-27XXL | 20 | THR |
| 3.50 | 300 | 8 | ECH350V-XXP | 69 | | 3.50 | 150 | 10 | 0156-29XX-BK | 19 | Press buckle locking |
| 3.50 | 300 | 8 | ECH350V-XXPL | 69 | THR | 3.50 | 150 | 10 | 0156-29XX-BK-WR | 84 | T&R package |
| 3.50 | 300 | 8 | ECH350V-XXPLWR | 85 | THR, T&R package | 3.50 | 150 | 10 | 0156-29XXL | 19 | THR |
| 3.50 | 300 | 8 | ECH350V-XXPWR | 85 | T&R package | 3.50 | 150 | 10 | 0156-29XXLWR | 84 | THR, T&R package |
| 3.50 | 300 | 8 | ECH350VD-XXP | 69 | Rotary hook locking | 3.81 | 300 | 8 | 0221-33XX-BK | 33 | Dual row |
| 3.50 | 300 | 8 | ECH350VJ-XXP | 32 | | 3.81 | 300 | 8 | 0221-33XXL | 33 | THR |
| 3.50 | 300 | 8 | ECH350VJ-XXPL | 32 | THR | 3.81 | 300 | 8 | 0221-39XX-BK | 33 | Dual row |
| 3.50 | 300 | 8 | ECH350VM-XXP | 32 | Threaded flange | 3.81 | 300 | 8 | 0221-39XXL | 33 | THR |
| 3.50 | 300 | 8 | ECH350VM-XXPL | 32 | THR | 3.81 | 300 | 8 | 0221-51XX-BK | 33 | Threaded flange |

Table of Contents



Sockets (Headers)

| Pitch (mm) | Voltage (V) | Current (A) | Part number | Page | Remarks | Pitch (mm) | Voltage (V) | Current (A) | Part number | Page | Remarks |
|------------|-------------|-------------|------------------|------|------------------------|------------|-------------|-------------|-------------|------|------------------------|
| 3.81 | 300 | 8 | 0221-51XXL | 33 | THR | 5.00 | 300 | 10 | 0226-13XX | 25 | Threaded flange |
| 3.81 | 300 | 8 | 0221-52XX-BK | 33 | Threaded flange | 5.00 | 300 | 10 | 0226-13XXL | 25 | THR |
| 3.81 | 300 | 8 | 0221-52XXL | 33 | THR | 5.00 | 300 | 10 | 0226-14XX | 25 | Threaded flange |
| 3.81 | 300 | 8 | ECH381A-XXP | 72 | | 5.00 | 300 | 10 | 0226-14XXL | 25 | THR |
| 3.81 | 300 | 8 | ECH381AM-XXP | 72 | Threaded flange | 5.00 | 300 | 10 | 0226-16XX | 26 | Threaded flange |
| 3.81 | 300 | 8 | ECH381H-XXP | 72 | | 5.00 | 300 | 10 | 0226-16XXL | 26 | THR |
| 3.81 | 300 | 8 | ECH381R-XXP | 71 | | 5.00 | 300 | 10 | 0226-17XX | 26 | Threaded flange |
| 3.81 | 300 | 8 | ECH381R-XXPL | 71 | THR | 5.00 | 300 | 10 | 0226-17XXL | 26 | THR |
| 3.81 | 300 | 8 | ECH381R-XXPLWR | 86 | T&R package/THR | 5.00 | 300 | 10 | 0226-23XX | 25 | Engaging lever locking |
| 3.81 | 300 | 8 | ECH381R-XXPWR | 86 | T&R package | 5.00 | 300 | 10 | 0226-23XXL | 25 | THR |
| 3.81 | 300 | 8 | ECH381RD-XXP | 71 | Rotary hook locking | 5.00 | 300 | 10 | 0226-24XX | 25 | Engaging lever locking |
| 3.81 | 300 | 8 | ECH381RJ-XXP | 33 | Engaging lever locking | 5.00 | 300 | 10 | 0226-24XXL | 25 | THR |
| 3.81 | 300 | 8 | ECH381RJ-XXPL | 33 | THR | 5.00 | 300 | 10 | 0226-26XX | 26 | Engaging lever locking |
| 3.81 | 300 | 8 | ECH381RM-XXP | 71 | Threaded flange | 5.00 | 300 | 10 | 0226-26XXL | 26 | THR |
| 3.81 | 300 | 8 | ECH381RM-XXPL | 71 | THR | 5.00 | 300 | 10 | 0226-27XX | 26 | Engaging lever locking |
| 3.81 | 300 | 8 | ECH381RM-XXPLWR | 86 | T&R package/THR | 5.00 | 300 | 10 | 0226-27XXL | 26 | THR |
| 3.81 | 300 | 8 | ECH381RM-XXPWR | 86 | T&R package | 5.00 | 300 | 10 | 0226-33XX | 25 | Light hole |
| 3.81 | 300 | 8 | ECH381RR-XXP | 71 | | 5.00 | 300 | 10 | 0226-33XXL | 25 | THR |
| 3.81 | 300 | 8 | ECH381RR-XXPL | 71 | THR | 5.00 | 300 | 10 | 0226-34XX | 25 | Light hole |
| 3.81 | 300 | 8 | ECH381RR-XXPLWR | 86 | T&R package/THR | 5.00 | 300 | 10 | 0226-34XXL | 25 | THR |
| 3.81 | 300 | 8 | ECH381RR-XXPWR | 86 | T&R package | 5.00 | 300 | 10 | 0226-36XX | 26 | |
| 3.81 | 300 | 8 | ECH381RRM-XXP | 71 | Threaded flange | 5.00 | 300 | 10 | 0226-36XXL | 26 | THR |
| 3.81 | 300 | 8 | ECH381RRM-XXPL | 71 | THR | 5.00 | 300 | 10 | 0226-37XX | 26 | |
| 3.81 | 300 | 8 | ECH381RRM-XXPLWR | 86 | T&R package/THR | 5.00 | 300 | 10 | 0226-37XXL | 26 | THR |
| 3.81 | 300 | 8 | ECH381RRM-XXPWR | 86 | T&R package | 5.00 | 300 | 15 | 0227-13XX | 27 | Threaded flange |
| 3.81 | 300 | 8 | ECH381V-XXP | 71 | | 5.00 | 300 | 15 | 0227-13XXL | 27 | THR |
| 3.81 | 300 | 8 | ECH381V-XXPL | 71 | THR | 5.00 | 300 | 15 | 0227-14XX | 27 | Threaded flange |
| 3.81 | 300 | 8 | ECH381V-XXPLWR | 86 | T&R package/THR | 5.00 | 300 | 15 | 0227-14XXL | 27 | THR |
| 3.81 | 300 | 8 | ECH381V-XXPWR | 86 | T&R package | 5.00 | 300 | 15 | 0227-16XX | 28 | Threaded flange |
| 3.81 | 300 | 8 | ECH381VD-XXP | 71 | Rotary hook locking | 5.00 | 300 | 15 | 0227-16XXL | 28 | THR |
| 3.81 | 300 | 8 | ECH381VJ-XXP | 33 | Engaging lever locking | 5.00 | 300 | 15 | 0227-17XX | 28 | Threaded flange |
| 3.81 | 300 | 8 | ECH381VJ-XXPL | 33 | THR | 5.00 | 300 | 15 | 0227-17XXL | 28 | THR |
| 3.81 | 300 | 8 | ECH381VM-XXP | 71 | | 5.00 | 300 | 15 | 0227-23XX | 27 | Engaging lever locking |
| 3.81 | 300 | 8 | ECH381VM-XXPL | 71 | THR | 5.00 | 300 | 15 | 0227-23XXL | 27 | THR |
| 3.81 | 300 | 8 | ECH381VM-XXPLWR | 86 | T&R package/THR | 5.00 | 300 | 15 | 0227-24XX | 27 | Engaging lever locking |
| 3.81 | 300 | 8 | ECH381VM-XXPWR | 86 | T&R package | 5.00 | 300 | 15 | 0227-24XXL | 27 | THR |
| 3.81 | 300 | 8 | ECHB381R-XXP | 72 | | 5.00 | 300 | 15 | 0227-26XX | 28 | Engaging lever locking |
| 3.81 | 300 | 8 | ECHB381RM-XXP | 72 | | 5.00 | 300 | 15 | 0227-26XXL | 28 | THR |
| 3.81 | 300 | 8 | ECHB381RRD-XXP | 72 | | 5.00 | 300 | 15 | 0227-27XX | 28 | Engaging lever locking |
| 3.81 | 300 | 8 | ECHB381V-XXP | 72 | | 5.00 | 300 | 15 | 0227-27XXL | 28 | THR |
| 3.81 | 300 | 8 | ECHB381VM-XXP | 72 | Threaded flange | 5.00 | 300 | 15 | 0227-33XX | 27 | Threaded flange |
| 3.81 | 300 | 8 | EECH381R-XXP | 72 | | 5.00 | 300 | 15 | 0227-33XXL | 27 | THR |
| 3.81 | 300 | 8 | EECH381RM-XXP | 72 | Threaded flange | 5.00 | 300 | 15 | 0227-34XX | 27 | Threaded flange |
| 3.81 | 300 | 8 | EECH381V-XXP | 72 | | 5.00 | 300 | 15 | 0227-34XXL | 27 | THR |
| 3.81 | 300 | 8 | EECH381VM-XXP | 72 | Threaded flange | 5.00 | 300 | 15 | 0227-36XX | 28 | Rotary hook locking |



Sockets (Headers)

| Pitch (mm) | Voltage (V) | Current (A) | Part number | Page | Remarks | Pitch (mm) | Voltage (V) | Current (A) | Part number | Page | Remarks |
|------------|-------------|-------------|----------------|------|---------------------|------------|-------------|-------------|----------------|------|------------------------|
| 5.00 | 300 | 15 | 0227-36XXL | 28 | THR | 5.00 | 300 | 15 | 5EHDVM-XXPWR | 86 | T&R package |
| 5.00 | 300 | 15 | 0227-37XX | 28 | Rotary hook locking | 5.08 | 300 | 12 | 0225-46XX | 29 | Threaded flange |
| 5.00 | 300 | 15 | 0227-37XXL | 28 | THR | 5.08 | 300 | 12 | 0225-47XX | 29 | Threaded flange |
| 5.00 | 300 | 15 | 5EEHDV-XXP | 74 | | 5.08 | 300 | 12 | 0225-56XX | 29 | Engaging lever locking |
| 5.00 | 300 | 15 | 5EEHDVC-XXP | 74 | | 5.08 | 300 | 12 | 0225-57XX | 29 | Engaging lever locking |
| 5.00 | 300 | 15 | 5EEHDVM-XXP | 74 | Threaded flange | 5.08 | 300 | 12 | 0225-66XX | 29 | |
| 5.00 | 300 | 15 | 5EHDBR-XXP | 74 | | 5.08 | 300 | 12 | 0225-67XX | 29 | |
| 5.00 | 300 | 15 | 5EHDBRM-XXP | 74 | Threaded flange | 5.08 | 300 | 12 | 0225-76XX | 30 | Rotary hook locking |
| 5.00 | 300 | 15 | 5EHDBV-XXP | 74 | | 5.08 | 300 | 12 | 0225-77XX | 30 | Rotary hook locking |
| 5.00 | 300 | 15 | 5EHDBVM-XXP | 74 | Threaded flange | 5.08 | 300 | 12 | ECH508V-XXP | 75 | |
| 5.00 | 300 | 15 | 5EHDR-XXP | 73 | | 5.08 | 300 | 12 | ECH508VM-XXP | 75 | Threaded flange |
| 5.00 | 300 | 15 | 5EHDR-XXPL | 73 | THR | 5.08 | 300 | 12 | ECH508R-XXP | 75 | |
| 5.00 | 300 | 15 | 5EHDR-XXPLWR | 86 | T&R package | 5.08 | 300 | 12 | ECH508RM-XXP | 75 | Threaded flange |
| 5.00 | 300 | 15 | 5EHDR-XXPWR | 86 | T&R package | 5.08 | 300 | 15 | 2EEHDR-XXP | 77 | |
| 5.00 | 300 | 15 | 5EHDRC-XXP | 73 | | 5.08 | 300 | 15 | 2EEHDM-XXP | 77 | Threaded flange |
| 5.00 | 300 | 15 | 5EHDRC-XXPL | 73 | THR | 5.08 | 300 | 15 | 2EEHDV-XXP | 77 | |
| 5.00 | 300 | 15 | 5EHDRC-XXPLWR | 86 | T&R package | 5.08 | 300 | 15 | 2EEHDVM-XXP | 77 | Threaded flange |
| 5.00 | 300 | 15 | 5EHDRC-XXPWR | 86 | T&R package | 5.08 | 300 | 15 | 2EHDBR-XXP | 77 | |
| 5.00 | 300 | 15 | 5EHDRG-XXP | 74 | Rotary hook locking | 5.08 | 300 | 15 | 2EHDBRM-XXP | 77 | Threaded flange |
| 5.00 | 300 | 15 | 5EHDRM-XXP | 74 | Threaded flange | 5.08 | 300 | 15 | 2EHDBV-XXP | 77 | |
| 5.00 | 300 | 15 | 5EHDRM-XXPL | 74 | THR | 5.08 | 300 | 15 | 2EHDBVM-XXP | 77 | Threaded flange |
| 5.00 | 300 | 15 | 5EHDRM-XXPLWR | 86 | T&R package | 5.08 | 300 | 15 | 2EHDR-XXP | 76 | |
| 5.00 | 300 | 15 | 5EHDRM-XXPWR | 86 | T&R package | 5.08 | 300 | 15 | 2EHDR-XXPL | 76 | THR |
| 5.00 | 300 | 15 | 5EHDRR-XXP | 73 | | 5.08 | 300 | 15 | 2EHDR-XXPLWR | 87 | T&R package/THR |
| 5.00 | 300 | 15 | 5EHDRR-XXPL | 73 | THR | 5.08 | 300 | 15 | 2EHDR-XXPWR | 87 | T&R package |
| 5.00 | 300 | 15 | 5EHDRR-XXPLWR | 85 | T&R package/THR | 5.08 | 300 | 15 | 2EHDRM-XXP | 76 | Threaded flange |
| 5.00 | 300 | 15 | 5EHDRR-XXPWR | 85 | T&R package | 5.08 | 300 | 15 | 2EHDRM-XXPL | 76 | THR |
| 5.00 | 300 | 15 | 5EHDRRC-XXP | 73 | | 5.08 | 300 | 15 | 2EHDRM-XXPLWR | 87 | T&R package/THR |
| 5.00 | 300 | 15 | 5EHDRRC-XXPL | 73 | THR | 5.08 | 300 | 15 | 2EHDRM-XXPWR | 87 | T&R package |
| 5.00 | 300 | 15 | 5EHDRRC-XXPLWR | 85 | T&R package/THR | 5.08 | 300 | 15 | 2EHDRR-XXPL | 76 | THR |
| 5.00 | 300 | 15 | 5EHDRRC-XXPWR | 85 | T&R package | 5.08 | 300 | 15 | 2EHDRRC-XXPL | 76 | THR |
| 5.00 | 300 | 15 | 5EHDRRM-XXPL | 74 | THR | 5.08 | 300 | 15 | 2EHDRRM-XXPL | 76 | THR |
| 5.00 | 300 | 15 | 5EHDRRM-XXPLWR | 85 | T&R package/THR | 5.08 | 300 | 15 | 2EHDRV-XXP | 76 | |
| 5.00 | 300 | 15 | 5EHDV-XXP | 73 | | 5.08 | 300 | 15 | 2EHDRVC-XXPL | 76 | THR |
| 5.00 | 300 | 15 | 5EHDV-XXPL | 73 | THR | 5.08 | 300 | 15 | 2EHDRVC-XXPLWR | 87 | T&R package/THR |
| 5.00 | 300 | 15 | 5EHDV-XXPLWR | 86 | T&R package | 5.08 | 300 | 15 | 2EHDRVC-XXPWR | 87 | T&R package |
| 5.00 | 300 | 15 | 5EHDV-XXPWR | 86 | T&R package | 5.08 | 300 | 15 | 2EHDVM-XXP | 76 | Threaded flange |
| 5.00 | 300 | 15 | 5EHDVC-XXP | 73 | | 5.08 | 300 | 15 | 2EHDVM-XXPL | 76 | THR |
| 5.00 | 300 | 15 | 5EHDVC-XXPL | 73 | THR | 5.08 | 300 | 15 | 2EHDVM-XXPLWR | 87 | T&R package/THR |
| 5.00 | 300 | 15 | 5EHDVC-XXPLWR | 86 | T&R package | 5.08 | 300 | 15 | 2EHDVM-XXPWR | 87 | T&R package |
| 5.00 | 300 | 15 | 5EHDVC-XXPWR | 86 | T&R package | 5.08 | 300 | 16 | 0150-26XX | 37 | With support pins |
| 5.00 | 300 | 15 | 5EHDVG-XXP | 74 | Rotary hook locking | 5.08 | 300 | 20 | 2EHDA-XXP | 75 | |
| 5.00 | 300 | 15 | 5EHDVM-XXP | 74 | Threaded flange | 5.08 | 300 | 20 | 2EHDAC-XXP | 75 | |
| 5.00 | 300 | 15 | 5EHDVM-XXPL | 74 | THR | 5.08 | 300 | 20 | 2EHDR-XXP | 76 | |
| 5.00 | 300 | 15 | 5EHDVM-XXPLWR | 86 | T&R package | 5.08 | 300 | 20 | 2EHDR-XXPL | 76 | THR |

Table of Contents



Sockets (Headers)

| Pitch (mm) | Voltage (V) | Current (A) | Part number | Page | Remarks | Pitch (mm) | Voltage (V) | Current (A) | Part number | Page | Remarks |
|------------|-------------|-------------|--------------|------|---------------------|------------|-------------|-------------|----------------|------|-----------------|
| 5.08 | 300 | 20 | 2EHDR-XXPLWR | 87 | T&R package/THR | 7.62 | 300 | 15 | 3EHDVM-XXP | 78 | Threaded flange |
| 5.08 | 300 | 20 | 2EHDR-XXPWR | 87 | T&R package | 7.62 | 300 | 15 | 3EHDVM-XXPWR | 87 | T&R package |
| 5.08 | 300 | 20 | 2EHDRG-XXP | 75 | Rotary hook locking | 7.62 | 300 | 25 | 0183-11XX | 64 | |
| 5.08 | 300 | 20 | 2EHDV-XXP | 76 | | 7.62 | 300 | 25 | 0183-11XXTXX | 64 | |
| 5.08 | 300 | 20 | 2EHDV-XXPL | 76 | THR | 7.62 | 300 | 30 | ECH762R-XXP | 79 | |
| 5.08 | 300 | 20 | 2EHDV-XXPLWR | 87 | T&R package/THR | 7.62 | 300 | 30 | ECH762RM-XXP | 79 | Threaded flange |
| 5.08 | 300 | 20 | 2EHDV-XXPWR | 87 | | 7.62 | 300 | 30 | ECH762RRM-XXP | 79 | Threaded flange |
| 5.08 | 300 | 20 | 2EHDVG-XXP | 75 | Rotary hook locking | 7.62 | 300 | 30 | ECH762RR-XXP | 79 | |
| 6.35 | 600 | 20 | 0150-36XX | 38 | | 7.62 | 300 | 30 | ECH762RTM-XXP | 79 | Threaded flange |
| 7.50 | 300 | 15 | 7EHDR-XXP | 78 | | 7.62 | 300 | 30 | ECH762V-XXP | 79 | |
| 7.50 | 300 | 15 | 7EHDR-XXP | 78 | | 7.62 | 300 | 30 | ECH762VM-XXP | 79 | Threaded flange |
| 7.50 | 300 | 15 | 7EHDRM-XXP | 78 | Threaded flange | 7.62 | 300 | 30 | ECH762VTM-XXP | 79 | Threaded flange |
| 7.50 | 300 | 15 | 7EHDV-XXP | 78 | | 7.62 | 600 | 41 | ECH762HR-XXP | 79 | |
| 7.50 | 300 | 15 | 7EHDVC-XXP | 78 | | 7.62 | 600 | 41 | ECH762HRM-XXP | 79 | Threaded flange |
| 7.50 | 300 | 15 | 7EHDVM-XXP | 78 | Threaded flange | 7.62 | 600 | 41 | ECH762HRR-XXP | 79 | |
| 7.50 | 300 | 15.5 | 0234-26XX | 40 | | 7.62 | 600 | 41 | ECH762RE-XXP | 80 | |
| 7.50 | 300 | 16 | 0234-36XX | 40 | | 7.62 | 300 | 41 | ECH762RRE-XXP | 80 | |
| 7.50 | 300 | 18 | 0150-46XX | 38 | With support pins | 8.80 | 600 | 65 | ECH880HR-XXP | 64 | |
| 7.62 | 300 | 15 | 3EHDR-XXP | 78 | | 8.80 | 600 | 65 | ECH880RT-XXP | 64 | Snap-in locking |
| 7.62 | 300 | 15 | 3EHDR-XXPWR | 87 | T&R package | 10.16 | 600 | 51 | ECH116HRS-XXP | 65 | |
| 7.62 | 300 | 15 | 3EHDR-XXP | 78 | | 10.16 | 600 | 51 | ECH116HRSM-XXP | 65 | Threaded flange |
| 7.62 | 300 | 15 | 3EHDR-XXPWR | 87 | T&R package | 10.16 | 600 | 51 | ECH116HVS-XXP | 65 | |
| 7.62 | 300 | 15 | 3EHDRM-XXP | 78 | Threaded flange | 10.16 | 600 | 51 | ECH116HVS-XXP | 65 | Threaded flange |
| 7.62 | 300 | 15 | 3EHDRM-XXPWR | 87 | T&R package | 10.16 | 300 | 51 | ECH116L-XXP | 65 | |
| 7.62 | 300 | 15 | 3EHDV-XXP | 78 | | 10.16 | 300 | 51 | ECH116R-XXP | 65 | |
| 7.62 | 300 | 15 | 3EHDV-XXPWR | 87 | T&R package | 10.16 | 300 | 51 | ECH116RM-XXP | 65 | Threaded flange |
| 7.62 | 300 | 15 | 3EHDVC-XXP | 78 | | 10.16 | 300 | 51 | ECH116V-XXP | 65 | |
| 7.62 | 300 | 15 | 3EHDVC-XXPWR | 87 | T&R package | 15.00 | 600 | 115 | ECH150RM-XXP | 66 | Threaded flange |

PID & Screw Connection Inverted headers

| Pitch (mm) | Voltage (V) | Current (A) | Part number | Page | Remarks | Pitch (mm) | Voltage (V) | Current (A) | Part number | Page | Remarks |
|------------|-------------|-------------|---------------|------|------------------------|------------|-------------|-------------|---------------|------|------------------|
| 3.50 | 300 | 8 | EC350CR-XXP | 121 | | 5.08 | 300 | 15 / 12 | 2ESDCVM-XXP | 121 | Threaded flange |
| 3.50 | 300 | 8 | EC350CV-XXP | 121 | | 5.08 | 300 | 15 | 2ESH-XXP | 122 | Inverted contact |
| 3.81 | 300 | 8 | EC381CR-XXP | 122 | | 5.08 | 300 | 15 | 2ESHM-XXP | 122 | Screw flange |
| 3.81 | 300 | 8 | EC381CV-XXP | 122 | | 7.62 | 300 | 41 | EC762CR-XXP | 123 | |
| 3.81 | 300 | 8 | ECSH381K-XXP | 122 | | 7.62 | 600 | 41 | ECSH762FS-XXP | 123 | Mounting flange |
| 3.81 | 300 | 8 | ECSH381MK-XXP | 122 | Screw flange | 7.62 | 600 | 41 | ECSH762SS-XXP | 123 | Mounting flange |
| 3.81 | 300 | 8 | ECSH381V-XXP | 122 | Inverted contact | 7.62 | 600 | 41 | ECSH762V-XXP | 123 | |
| 3.81 | 300 | 8 | ECSH381VM-XXP | 122 | Screw flange | 10.16 | 300 | 51 | EC116CV-XXP | 124 | Inverted contact |
| 5.00 | 300 | 15 | 0161-11XX | 93 | Screw flange | 10.16 | 300 | 51 | EC116CVM-XXP | 124 | Screw flange |
| 5.00 | 300 | 15 | 0161-12XX | 93 | Engaging lever locking | 10.16 | 600 | 51 | ECSH116K-XXP | 98 | Screw flange |
| 5.00 | 300 | 15 | 0161-13XX | 93 | Inverted contact | 10.16 | 600 | 51 | ECSH116M-XXP | 98 | Screw flange |
| 5.00 | 300 | 15 | 0161-14XX | 93 | Rotary hook locking | 10.16 | 600 | 51 | ECSH116MK-XXP | 98 | Screw flange |
| 5.08 | 300 | 15 / 12 | 2ESDCR-XXP | 121 | | 10.16 | 600 | 51 | ECSH116V-XXP | 98 | Threaded flange |
| 5.08 | 300 | 15 / 12 | 2ESDCRM-XXP | 121 | Threaded flange | 10.16 | 600 | 51 | ECSH116VM-XXP | 124 | Screw flange |
| 5.08 | 300 | 15 / 12 | 2ESDCV-XXP | 121 | | | | | | | |

Card-Edge Connectors

| Pitch (mm) | Voltage (V) | Current (A) | Part number | Page | Remarks | Pitch (mm) | Voltage (V) | Current (A) | Part number | Page | Remarks |
|------------|-------------|-------------|-------------|------|------------------------|------------|-------------|-------------|-------------|------|------------------------|
| 3.50 | 150 | 6 | 0184-11XX | 125 | Light pipe | 5.00 | 300 | 6 | 0184-31XX | 126 | Light pipe |
| 3.50 | 150 | 6 | 0184-13XX | 125 | Light pipe | 5.00 | 300 | 6 | 0184-33XX | 126 | Light pipe |
| 3.50 | 150 | 6 | 0184-15XX | 125 | Engaging lever locking | 5.00 | 300 | 6 | 0184-35XX | 126 | Engaging lever locking |
| 3.50 | 150 | 6 | 0184-16XX | 125 | Engaging lever locking | 5.00 | 300 | 6 | 0184-36XX | 126 | Engaging lever locking |
| 3.50 | 150 | 8 | 0184-01XX | 126 | | 5.00 | 300 | 16 | 5ESDG-XXP | 126 | PCB connection |
| 3.50 | 150 | 12 | CPC350-XXP | 126 | PCB connection | | | | | | |



Screw Connection PCB Connectors

| Pitch (mm) | Voltage (V) | Current (A) | Part number | Page | Remarks | Pitch (mm) | Voltage (V) | Current (A) | Part number | Page | Remarks |
|------------|-------------|-------------|--------------|------|---------------------|------------|-------------|-------------|-------------|------|----------------|
| 3.50 | 300 | 8 | EC350F-XXP | 50 | | 3.81 | 300 | 8 | EC381VM-XXP | 49 | Screw flange |
| 3.50 | 300 | 8 | EC350FM-XXP | 50 | Screw flange | 5.00 | 300 | 15 | 5ESDA-XXP | 53 | |
| 3.50 | 300 | 8 | EC350RL-XXP | 49 | With strain relief | 5.00 | 300 | 15 | 5ESDAM-XXP | 53 | Screw flange |
| 3.50 | 300 | 8 | EC350RLM-XXP | 49 | Screw flange | 5.00 | 300 | 15 | 5ESDF-XXP | 52 | |
| 3.50 | 300 | 8 | EC350R-XXP | 49 | | 5.00 | 300 | 15 | 5ESDFM-XXP | 52 | Screw flange |
| 3.50 | 300 | 8 | EC350RM-XXP | 49 | Screw flange | 5.00 | 300 | 15 | 5ESDPL-XXP | 54 | |
| 3.50 | 300 | 8 | EC350V-XXP | 49 | | 5.00 | 300 | 15 | 5ESDPLM-XXP | 54 | Screw flange |
| 3.50 | 300 | 8 | EC350VM-XXP | 49 | Screw flange | 5.00 | 300 | 15 | 5ESDP-XXP | 53 | |
| 3.81 | 300 | 8 | EC381F-XXP | 50 | | 5.00 | 300 | 15 | 5ESDP-XXP | 53 | Screw flange |
| 3.81 | 300 | 8 | EC381FM-XXP | 50 | Screw flange | 5.00 | 300 | 15 | 5ESDPM-XXP | 53 | Screw flange |
| 3.81 | 300 | 8 | EC381L-XXP | 51 | With strain relief | 5.00 | 300 | 15 | 5ESDTS-XXP | 51 | With test hole |
| 3.81 | 300 | 8 | EC381LM-XXP | 51 | Screw flange | 5.00 | 300 | 15 | 5ESDV-XXP | 53 | |
| 3.81 | 300 | 8 | EC381R-XXP | 49 | | 5.00 | 300 | 15 | 5ESDVM-XXP | 53 | Screw flange |
| 3.81 | 300 | 8 | EC381RL-XXP | 49 | | 5.08 | 300 | 12 | EC508F-XXP | 52 | |
| 3.81 | 300 | 8 | EC381RLM-XXP | 49 | Screw flange | 5.08 | 300 | 12 | EC508FM-XXP | 52 | Screw flange |
| 3.81 | 300 | 8 | EC381RM-XXP | 49 | Screw flange | 5.08 | 300 | 12 | EC508V-XXP | 52 | Screw flange |
| 3.81 | 300 | 8 | EC381V-XXP | 49 | | 5.08 | 300 | 12 | EC508VM-XXP | 52 | Screw flange |
| 3.81 | 300 | 8 | EC381VK-XXP | 51 | Rotary hook locking | 5.08 | 300 | 15 | 2ESDA-XXP | 55 | |

PID & Screw Connection Plugs & Pin Strips

| Pitch (mm) | Voltage (V) | Current (A) | Part number | Page | Remarks | Pitch (mm) | Voltage (V) | Current (A) | Part number | Page | Remarks |
|------------|-------------|-------------|--------------|------|----------------|------------|-------------|-------------|-----------------|------|-----------------|
| 3.50 | 150 | 2 | 0191-01XX | 89 | | 5.00 | 300 | 2 | 0191-12XXTH | 89 | Pin strip, THR |
| 3.50 | 150 | 2 | 0191-01XXC | 89 | With cover | 5.00 | 300 | 7 | ED130F-XXP | 88 | |
| 3.50 | 150 | 2 | 0191-11XXTH | 89 | Pin strip, THR | 5.00 | 300 | 7 | EDH130F-XX/12.6 | 88 | |
| 3.50 | 300 | 8 | 0191-06XX | 88 | | 5.00 | 300 | 7 | EDH130F-XXTH126 | 88 | Pin strip |
| 3.50 | 300 | 8 | 0191-06XXC | 88 | With cover | 5.00 | 300 | 7 | EDH130S-20XXTHT | 89 | |
| 3.50 | 300 | 8 | 0191-16XXTH | 88 | Pin strip, THR | 5.00 | 300 | 12 | ED130T-XXP | 88 | |
| 4.00 | 300 | 10 | 0162-01XX | 90 | | 5.00 | 300 | 12 | EDH130-21XX | 88 | |
| 4.00 | 300 | 10 | 0162-06XX | 90 | | 5.00 | 300 | 12 | EDH130-21XXTHT | 88 | Pin strip |
| 4.00 | 300 | 10 | 0162-11XX | 90 | Pin socket | 5.08 | 300 | 10 | 0164-01XX | 90 | |
| 4.00 | 300 | 10 | 0162-A1XX | 90 | | 5.08 | 300 | 10 | 0164-01XX(T) | 90 | |
| 4.00 | 300 | 10 | 0162-A6XX | 90 | | 5.08 | 300 | 10 | 0164-02XX | 90 | |
| 5.00 | 300 | 2 | 0191-02XX | 89 | | 5.08 | 300 | 10 | 0164-11XX | 90 | Pin socket |
| 5.00 | 300 | 2 | 0191-02XXC | 89 | With cover | 5.08 | 300 | 10 | 0164-11XXL | 90 | Pin socket, THR |
| 5.00 | 300 | 5 | 0191-04XX | 89 | | 5.08 | 300 | 10 | 0164-12XX | 90 | Pin socket |
| 5.00 | 300 | 5 | 0191-04XXC | 89 | With cover | 5.08 | 300 | 10 | 0164-12XXL | 90 | Pin socket, THR |
| 5.00 | 300 | 7 | 0191-05XX | 89 | | 5.08 | 300 | 10 | 0164-A1XX | 90 | |
| 5.08 | 300 | 10 | 0164-A1XX(T) | 90 | | 5.08 | 300 | 10 | 0164-A2XX | 90 | |

Table of Contents

Screw Connection PCB Connectors

| Pitch (mm) | Voltage (V) | Current (A) | Part number | Page | Remarks | Pitch (mm) | Voltage (V) | Current (A) | Part number | Page | Remarks |
|------------|-------------|-------------|-------------|------|--------------|------------|-------------|-------------|---------------|------|-----------------|
| 5.08 | 300 | 15 | 2ESDAM-XXP | 55 | Screw flange | 7.62 | 600 | 15 | 3ESNPLS-XXP | 61 | |
| 5.08 | 300 | 15 | 2ESDF-XXP | 53 | | 7.62 | 600 | 15 | 3ESNPLSM-XXP | 61 | Screw flange |
| 5.08 | 300 | 15 | 2ESDFM-XXP | 53 | Screw flange | 7.62 | 600 | 15 | 3ESNPM-XXP | 61 | Screw flange |
| 5.08 | 300 | 15 | 2ESDL-XXP | 56 | | 7.62 | 600 | 15 | 3ESNPS-XXP | 61 | |
| 5.08 | 300 | 15 | 2ESDP-XXP | 55 | | 7.62 | 600 | 15 | 3ESNPSM-XXP | 61 | Screw flange |
| 5.08 | 300 | 15 | 2ESDPM-XXP | 55 | Screw flange | 7.62 | 600 | 18 | 3ESNPH-XXP | 62 | |
| 5.08 | 300 | 15 | 2ESDPL-XXP | 56 | | 7.62 | 600 | 18 | 3ESNPHM-XXP | 62 | Screw flange |
| 5.08 | 300 | 15 | 2ESDPLM-XXP | 56 | Screw flange | 7.62 | 600 | 18 | 3ESNPHL-XXP | 62 | |
| 5.08 | 300 | 15 | 2ESDV-XXP | 55 | | 7.62 | 600 | 18 | 3ESNPHLM-XXP | 62 | Screw flange |
| 5.08 | 300 | 15 | 2ESDV-XXP | 92 | | 7.62 | 600 | 20 | 3ESDVH-XXP | 58 | High current |
| 5.08 | 300 | 15 | 2ESDV-XXP | 92 | Screw flange | 7.62 | 600 | 20 | 3ESDVHM-XXP | 58 | High current |
| 5.08 | 300 | 15 | 2ESDVM-XXP | 55 | Screw flange | 7.62 | 600 | 25 | 0183-01XX | 64 | |
| 5.08 | 300 | 15 | 2ESDVNM-XXP | 56 | | 7.62 | 600 | 25 | 0183-01XXTX | 64 | |
| 5.08 | 300 | 15 | 2ESDVS-03P | 55 | | 7.62 | 600 | 25 | 3ESNVH-XXP | 62 | High current |
| 5.08 | 300 | 20 | 2ESDVH-XXP | 54 | High current | 7.62 | 600 | 25 | 3ESNVHM-XXP | 62 | High current |
| 7.50 | 300 | 15 | 7ESDP-XXP | 57 | | 7.62 | 600 | 40 | EC762HV-XXP | 63 | High voltage |
| 7.50 | 300 | 15 | 7ESDPL-XXP | 57 | | 7.62 | 600 | 40 | EC762HVM-XXP | 63 | High current |
| 7.50 | 300 | 15 | 7ESDPLM-XXP | 57 | Screw flange | 7.62 | 600 | 40 | EC762HVN-XXP | 63 | High voltage |
| 7.50 | 300 | 15 | 7ESDPM-XXP | 57 | Screw flange | 7.62 | 600 | 40 | EC762HVM-XXP | 63 | High current |
| 7.50 | 300 | 15 | 7ESDV-XXP | 57 | | 7.62 | 600 | 41 | EC762H-XXP | 80 | High current |
| 7.50 | 300 | 15 | 7ESDVM-XXP | 57 | Screw flange | 7.62 | 600 | 41 | EC762HLNM-XXP | 63 | Screw flange |
| 7.62 | 300 | 15 | 3ESDP-XXP | 57 | | 8.80 | 600 | 65 | EC880HV-XXP | 64 | |
| 7.62 | 300 | 15 | 3ESDPL-XXP | 57 | | 8.80 | 600 | 65 | EC880HVT-XXP | 64 | Snap-in locking |
| 7.62 | 300 | 15 | 3ESDPLM-XXP | 57 | Screw flange | 10.16 | 600 | 51 | EC116V-XXP | 65 | |
| 7.62 | 300 | 15 | 3ESDPM-XXP | 57 | Screw flange | 10.16 | 600 | 51 | EC116VM-XXP | 65 | Screw flange |
| 7.62 | 300 | 15 | 3ESDV-XXP | 57 | | 15.00 | 600 | 115 | EC150VM-XXP | 66 | Screw flange |
| 7.62 | 300 | 15 | 3ESDVM-XXP | 57 | Screw flange | | | | | | |
| 7.62 | 300 | 30 | EC762V-XXP | 63 | | | | | | | |
| 7.62 | 600 | 15 | 3ESNP-XXP | 61 | | | | | | | |
| 7.62 | 600 | 15 | 3ESNPL-XXP | 61 | | | | | | | |
| 7.62 | 600 | 15 | 3ESNPLM-XXP | 61 | Screw flange | | | | | | |

Feed Through Headers

| Pitch (mm) | Voltage (V) | Current (A) | Part number | Page | Remarks | Pitch (mm) | Voltage (V) | Current (A) | Part number | Page | Remarks |
|------------|-------------|-------------|----------------|------|---------------------------|------------|-------------|-------------|----------------|------|---------------------------|
| 3.81 | 300 | 8 | ECHP381V-XXP | 81 | Solder/Slip-on connection | 5.00 | 300 | 15 | 5EHDKM-XXP/1.6 | 82 | Threaded flange |
| 5.00 | 300 | 15 | 5EHDK-XXP/1.0 | 81 | Snap-in locking | 5.00 | 300 | 15 | 5EHDKPM-XXP | 82 | Threaded flange |
| 5.00 | 300 | 15 | 5EHDK-XXP/1.2 | 82 | Snap-in locking | 5.08 | 300 | 15 | 2EHDP-XXP | 81 | Solder/Slip-on connection |
| 5.00 | 300 | 15 | 5EHDK-XXP/1.4 | 82 | Snap-in locking | 5.08 | 300 | 15 | 2EHDPN-XXP | 82 | Solder/Slip-on connection |
| 5.00 | 300 | 15 | 5EHDK-XXP/1.6 | 82 | Snap-in locking | 7.62 | 300 | 30 | ECHP762V-XXP | 82 | Solder/Slip-on connection |
| 5.00 | 300 | 15 | 5EHDKM-XXP/1.0 | 81 | Threaded flange | | | | | | |
| 5.00 | 300 | 15 | 5EHDKM-XXP/1.2 | 82 | Threaded flange | | | | | | |
| 5.00 | 300 | 15 | 5EHDKM-XXP/1.4 | 82 | Threaded flange | | | | | | |

PID (Push-In Design) PCB Terminal Blocks

| Pitch (mm) | Voltage (V) | Current (A) | Part number | Page | Remarks | Pitch (mm) | Voltage (V) | Current (A) | Part number | Page | Remarks |
|------------|-------------|-------------|----------------|------|---------|------------|-------------|-------------|---------------|------|---------|
| 2.50 | 150 | 2 | 0136-11XX | 101 | | 5.00 | 300 | 20 | 0153-01XX | 105 | |
| 2.50 | 150 | 5 | 0188-01XXL | 100 | THR | 5.00 | 300 | 20 | 0153-02XX | 105 | |
| 2.50 | 150 | 5 | 0188-01XXSMDWR | 100 | THR | 5.00 | 300 | 20 | 0153-91XX | 105 | |
| 2.50 | 150 | 5 | 0188-02XXL | 100 | THR | 5.00 | 300 | 20 | 0177-51XX | 108 | |
| 2.50 | 150 | 5 | 0188-02XXSMDWR | 100 | THR | 5.00 | 300 | 20 | 0177-53XX | 108 | |
| 2.50 | 300 | 2 | 0136-10XX | 101 | | 5.00 | 300 | 20 | 0275-21XX | 11 | |
| 2.54 | 150 | 5 | 0138-10XX | 101 | | 5.00 | 300 | 20 | 0276-21XX | 11 | |
| 2.54 | 150 | 5 | 0138-11XX | 101 | | 5.00 | 300 | 20 | 0290-21XX | 11 | |
| 2.54 | 150 | 5 | 141R-XXP | 101 | | 5.08 | 300 | 10 | 0141-21XX | 106 | |
| 2.54 | 150 | 5 | 141V-XXP | 101 | | 5.08 | 300 | 10 | 0141-24XX | 106 | |
| 3.50 | 300 | 5 | 0137-40XX | 102 | | 5.08 | 300 | 10 | 142R-XXP | 105 | |
| 3.50 | 300 | 5 | 0137-41XX | 102 | | 5.08 | 300 | 10 | 142V-XXP | 105 | |
| 3.50 | 300 | 5 | 0137-41XXM | 103 | | 5.08 | 300 | 12 | 0138-60XX | 106 | THR |
| 3.50 | 300 | 6 | 0136-20XX | 102 | | 5.08 | 300 | 12 | 0138-60XXL | 106 | |
| 3.50 | 300 | 6 | 0136-21XX | 102 | | 5.08 | 300 | 12 | 0138-61XX | 106 | |
| 3.50 | 300 | 6 | 0136-22XX | 102 | | 5.08 | 300 | 12 | 0138-61XXL | 106 | THR |
| 3.50 | 300 | 6 | 0136-23XX | 102 | | 6.35 | 600 | 25 | 0177-76XX | 108 | |
| 3.50 | 300 | 9 | 0151-01XX | 103 | | 6.35 | 600 | 25 | 0177-78XX | 108 | |
| 3.50 | 300 | 9 | 0151-01XXL | 103 | THR | 7.50 | 300 | 10 | 0152-53XX | 106 | |
| 3.50 | 300 | 9 | 0151-02XX | 103 | | 7.50 | 300 | 32 | 0275-31XX | 12 | |
| 3.50 | 300 | 9 | 0151-02XXL | 103 | THR | 7.50 | 300 | 32 | 0290-31XX | 12 | |
| 3.50 | 300 | 10 | 0177-31XX | 107 | | 7.50 | 600 | 32 | 0275-32XX | 12 | |
| 3.50 | 300 | 10 | 0177-33XX | 107 | | 7.50 | 600 | 32 | 0290-32XX | 12 | |
| 3.50 | 300 | 10 | 0185-12XX | 103 | | 7.50 | 300 | 36 | 0177-81XX | 107 | |
| 3.50 | 300 | 10 | 0185-13XX | 103 | | 7.50 | 300 | 36 | 0177-83XX | 107 | |
| 3.50 | 300 | 10 | 0275-11XX | 11 | | 7.50 | 600 | 36 | 0177-86XX | 107 | |
| 3.50 | 300 | 10 | 0275-11XXY5 | 11 | | 7.50 | 600 | 36 | 0177-88XX | 107 | |
| 3.50 | 300 | 10 | 0290-11XX | 11 | | 10.00 | 300 | 66 | 0290-41XXYB | 13 | |
| 3.50 | 300 | 12 | 0138-50XX | 102 | | 10.00 | 300 | 66 | 0290-42XXYD | 13 | |
| 3.50 | 300 | 12 | 0138-50XXL | 102 | THR | 10.00 | 300 | 66 | 0177-03XX | 108 | |
| 3.50 | 300 | 12 | 0138-50XXSMDWR | 101 | | 10.00 | 600 | 20 | 0153-41XX | 106 | |
| 3.50 | 300 | 12 | 0138-51XX | 102 | | 10.00 | 600 | 66 | 0177-06XX | 108 | |
| 3.50 | 300 | 12 | 0138-51XXL | 102 | THR | 10.00 | 600 | 66 | 0177-08XX | 108 | |
| 3.81 | 300 | 10 | 0141-01XX | 104 | | 15.00 | 600 | 101 | 0177-B3XX | 108 | |
| 3.81 | 300 | 10 | 0141-22XX | 104 | | 15.00 | 600 | 101 | 0290-51XX | 13 | |
| 3.81 | 300 | 12 | 0138-42XXL20 | 103 | | 15.00 | 600 | 101 | 0290-51XXM | 13 | |
| 5.00 | 300 | 10 | 0137-11XX | 104 | | 15.00 | 1000 | 72 | 0290-42XXP3YD | 13 | |
| 5.00 | 300 | 10 | 0138-70XX | 105 | | | | | | | |
| 5.00 | 300 | 10 | 0138-76XX | 105 | | | | | | | |
| 5.00 | 300 | 10 | 0152-01XX | 104 | | | | | | | |
| 5.00 | 300 | 10 | 0152-02XX | 104 | | | | | | | |
| 5.00 | 300 | 10 | 0152-03XX | 104 | | | | | | | |
| 5.00 | 300 | 10 | 0185-31XX | 105 | | | | | | | |
| 5.00 | 300 | 10 | 0185-32XX | 105 | | | | | | | |
| 5.00 | 300 | 10 | 0188-12XXSMDWR | 104 | | | | | | | |

Table of Contents



Spring Clamp Connection PCB Terminal Blocks

| Pitch (mm) | Voltage (V) | Current (A) | Part number | Page | Remarks | Pitch (mm) | Voltage (V) | Current (A) | Part number | Page | Remarks |
|------------|-------------|-------------|-------------|------|---------|------------|-------------|-------------|--------------|------|---------|
| 2.50 | 300 | 4 | WKA250A-XXP | 119 | | 5.00 | 300 | 15 | WKA500-XXPL | 119 | THR |
| 2.50 | 300 | 4 | WKV250A-XXP | 120 | | 5.00 | 300 | 15 | WSKA500S-XXP | 119 | |
| 2.54 | 300 | 4 | WKA254A-XXP | 120 | | 5.08 | 300 | 10 | W3K508-XXP | 120 | |
| 2.54 | 300 | 4 | WKV254A-XXP | 120 | | 5.08 | 300 | 10 | W4K508-XXP | 120 | |
| 5.00 | 300 | 10 | W3K500-XXP | 120 | | 5.08 | 300 | 10 | WKK508-XXP | 120 | |
| 5.00 | 300 | 10 | W4K500-XXP | 120 | | 5.08 | 300 | 15 | WKA508-XXP | 119 | |
| 5.00 | 300 | 10 | WKA50B-XXP | 119 | | 7.50 | 300 | 30 | WSKA750S-XXP | 120 | |
| 5.00 | 300 | 10 | WKK500-XXP | 120 | | 10.00 | 300 | 57 | WSKA100-XXP | 120 | |
| 5.00 | 300 | 15 | WKA500-XXP | 119 | | | | | | | |



Screw Connection PCB Terminal Blocks

| Pitch (mm) | Voltage (V) | Current (A) | Part number | Page | Remarks | Pitch (mm) | Voltage (V) | Current (A) | Part number | Page | Remarks |
|------------|-------------|-------------|----------------|------|---------------|------------|-------------|-------------|----------------|------|---------------|
| 2.54 | 150 | 10 | EK254V-XXP | 109 | | 5.08 | 300 | 13.5 | E2LK508V-XXP | 112 | |
| 3.50 | 300 | 10 | EK350A-XXP | 110 | | 5.08 | 300 | 13.5 | EELK508V-XXP | 111 | Double decked |
| 3.50 | 300 | 10 | EK350V-XXP | 109 | | 5.08 | 300 | 13.5 | ELK508S-XXP | 112 | |
| 3.50 | 300 | 10 | EK350V4L-XXP | 110 | Double decked | 5.08 | 300 | 13.5 | ELK508V-XXP | 111 | |
| 3.81 | 300 | 12 | E3K381V-XXP | 110 | High profile | 5.08 | 300 | 13.5 | ELK508V3L-XXP | 111 | |
| 3.81 | 300 | 12 | EEK381V-XXP | 110 | | 5.08 | 300 | 20 | E3K508V-XXP | 114 | High profile |
| 3.81 | 300 | 12 | EHK381V-XXP | 110 | | 5.08 | 300 | 20 | EEK508V-XXP | 114 | High profile |
| 3.81 | 300 | 12 | EK381A-XXP | 110 | | 5.08 | 300 | 20 | EK508A-XXP | 112 | |
| 3.81 | 300 | 12 | EK381V-XXP | 109 | | 5.08 | 300 | 20 | EK508R-XXP | 112 | |
| 3.81 | 300 | 12 | EK381V3L-XXP | 109 | Triple decked | 5.08 | 300 | 20 | EK508V-XXP | 112 | |
| 3.81 | 300 | 12 | EK381V4L-XXP | 109 | Double decked | 5.08 | 300 | 20 | EK508V2L-XXP | 113 | Double decked |
| 3.81 | 300 | 15 | EESK381V-XXP | 110 | High profile | 5.08 | 300 | 20 | EK508V3L-XXP | 113 | Triple decked |
| 3.81 | 300 | 15 | ESK381R-XXP | 110 | | 5.08 | 300 | 20 | EK508V4L-XXP | 113 | Double decked |
| 3.81 | 300 | 15 | ESK381V-XXP | 109 | | 5.08 | 300 | 20 | ESK508V3L-XXP | 113 | Triple decked |
| 3.81 | 300 | 15 | ESK381V4L-XXP | 110 | | 5.08 | 300 | 20 | ESK508V4L-XXP | 113 | Double decked |
| 5.00 | 300 | 13.5 | ELK500B-XXP | 110 | Low profile | 5.08 | 300 | 23 | ESK508V-XXP | 114 | |
| 5.00 | 300 | 13.5 | ELK500S-XXP | 110 | Low profile | 5.08 | 300 | 25 | E2HK508V-XXPAM | 114 | High profile |
| 5.00 | 300 | 13.5 | ELK500V-XXP | 110 | Low profile | 5.08 | 300 | 25 | EEHK2V-XXP | 113 | Double decked |
| 5.00 | 300 | 20 | E2HK500V-XXPAM | 112 | High profile | 5.08 | 300 | 25 | EHK2V-XXP | 113 | |
| 5.00 | 300 | 20 | E3K500V-XXP | 111 | High profile | 5.08 | 300 | 25 | EHK508V2L-XXP | 114 | Double decked |
| 5.00 | 300 | 20 | EEK500V-XXP | 111 | | 5.08 | 300 | 25 | EHK508V3L-XXP | 114 | Triple decked |
| 5.00 | 300 | 20 | EHK5V3L-XXP | 111 | | 6.35 | 300 | 30 | DT-2300-XXP | 117 | |
| 5.00 | 300 | 20 | EK500A-XXP | 111 | | 6.35 | 300 | 30 | DT-2301-XXP | 117 | |
| 5.00 | 300 | 20 | EK500R-XXP | 111 | | 6.35 | 300 | 30 | EKB635V-XXP | 114 | Double decked |
| 5.00 | 300 | 20 | EK500V-XXP | 111 | | 6.35 | 300 | 30 | ESK635V-XXP | 114 | |
| 5.00 | 300 | 20 | EK500V2L-XXP | 112 | Double decked | 6.35 | 600 | 35 | EPK635VN-XXP | 113 | |
| 5.00 | 300 | 20 | EK500V3L-XXP | 112 | Triple decked | 7.50 | 300 | 20 | EK750V-XXP | 114 | |
| 5.00 | 300 | 20 | EK500V4L-XXP | 112 | | 7.50 | 300 | 25 | EHK7V-XXP | 113 | |
| 5.00 | 300 | 20 / 26 | DT-123RA-XXP | 117 | | 7.50 | 300 | 20 / 26 | DT-123RA-XXP3 | 117 | |
| 5.00 | 300 | 20 / 26 | DT-123VA-XXP | 117 | | 7.50 | 300 | 20 / 26 | DT-123VA-XXP3 | 117 | |
| 5.00 | 300 | 25 | EHK500R-XXP | 112 | | 7.50 | 300 | 30 | ESK750V-XXP | 114 | |
| 5.00 | 300 | 25 | EHK5V-XXP | 112 | | 7.50 | 600 | 20 | DT-123HVR-XXP | 118 | |



Screw Connection PCB Terminal Blocks

| Pitch (mm) | Voltage (V) | Current (A) | Part number | Page | Remarks | Pitch (mm) | Voltage (V) | Current (A) | Part number | Page | Remarks |
|------------|-------------|-------------|--------------|------|---------|------------|-------------|-------------------|---------------|------|---------|
| 7.62 | 300 | 25 | EHK3V-XXP | 115 | | 10.16 | 300 | 65 | ESKW116V-XXP | 116 | |
| 7.62 | 300 | 30 | DT-2320-XXP | 118 | | 10.16 | 300 / 600 | 65 / 5 | ESK116R-XXPAM | 116 | |
| 7.62 | 300 | 30 | DT-2321-XXP | 118 | | 10.16 | 300 / 600 | 65 / 5 | ESK116V-XXP | 116 | |
| 7.62 | 300 | 30 | EKB762V-XXP | 116 | | 10.16 | 600 | 57(sol) / 65(str) | EPK116VS-XXP | 115 | |
| 7.62 | 300 | 30 | ESK762V-XXP | 116 | | 10.16 | 600 | 57(sol) / 65(str) | EPK116VN-XXP | 115 | |
| 9.52 | 300 | 30 | EK950V-XXP | 115 | | 15.00 | 600 | 115 | ESK150V-XXP | 115 | |
| 9.52 | 600 | 30 | EK950HVN-XXP | 115 | | 15.00 | 600 | 115 | ESK150VM-XXP | 115 | |
| 10.00 | 300 | 65 | PDS-10-XX | 118 | | 17.50 | 600 | 160 | ESK175V-XXP | 116 | |
| 10.00 | 300 | | PDS-10A-XX | 118 | | 17.50 | 600 | 160 | ESK175VM-XXP | 116 | |
| 10.00 | 300 | 65 | PDS-10S-XX | 118 | | 20.00 | 600 | 200 | ESK200VM-XXP | 116 | |



PCB Terminal Blocks for I/O Enclosures

| Pitch (mm) | Voltage (V) | Current (A) | Part number | Page | Remarks | Pitch (mm) | Voltage (V) | Current (A) | Part number | Page | Remarks |
|------------|-------------|-------------|-------------|------|---------|------------|-------------|-------------|-------------|------|------------|
| 3.81 | 150 | 8 | BST-111-05 | 127 | | 5.00 | 300 | 20 | 0189-213PL | 129 | |
| 3.81 | 150 | 8 | BST-112-05 | 127 | | 5.00 | 300 | 20 | 0189-213PR | 130 | |
| 3.81 | 150 | 8 | BST-120-05 | 127 | | 5.00 | 300 | 20 | 0189-214PL | 129 | |
| 3.81 | 150 | 8 | BST-220-05 | 127 | | 5.00 | 300 | 20 | 0189-214PR | 130 | |
| 5.00 | 300 | 10 | 5ES-2PL | 129 | | 5.08 | 300 | 8 | 0228-21XX | 128 | |
| 5.00 | 300 | 10 | 5ES-2PR | 130 | | 5.08 | 300 | 8 | 0228-22XX | 128 | |
| 5.00 | 300 | 10 | 5ES-3PL | 129 | | 5.08 | 300 | 8 | 0228-23XX | 128 | |
| 5.00 | 300 | 10 | 5ES-3PR | 130 | | 7.50 | 300 | 20 | 7ES-3PL | 131 | |
| 5.00 | 300 | 10 | 5ES-4PL | 129 | | 7.50 | 300 | 20 | 7ES-3PR | 131 | |
| 5.00 | 300 | 10 | 5ES-4PR | 130 | | 9.00 | 300 | 8 | 0171-10XX | 128 | Light pipe |
| 5.00 | 300 | 15 | 5EH-2PL | 129 | | 9.00 | 300 | 8 | 0171-11XX | 128 | Light pipe |
| 5.00 | 300 | 15 | 5EH-2PLL | 129 | THR | 9.00 | 300 | 8 | 0171-60XX | 128 | |
| 5.00 | 300 | 15 | 5EH-2PR | 130 | | 12.50 | 300 | 15 | 0171-20XX | 128 | Light pipe |
| 5.00 | 300 | 15 | 5EH-2PRL | 130 | THR | 12.50 | 300 | 15 | 0171-21XX | 128 | Light pipe |
| 5.00 | 300 | 15 | 5EH-3PL | 129 | | | | | | | |
| 5.00 | 300 | 15 | 5EH-3PLL | 129 | THR | | | | | | |
| 5.00 | 300 | 15 | 5EH-3PR | 130 | | | | | | | |
| 5.00 | 300 | 15 | 5EH-3PRL | 130 | THR | | | | | | |
| 5.00 | 300 | 15 | 5EH-4PL | 129 | | | | | | | |
| 5.00 | 300 | 15 | 5EH-4PLL | 129 | THR | | | | | | |
| 5.00 | 300 | 15 | 5EH-4PR | 130 | | | | | | | |
| 5.00 | 300 | 15 | 5EH-4PRL | 130 | THR | | | | | | |
| 5.00 | 300 | 20 | 0189-202PL | 129 | | | | | | | |
| 5.00 | 300 | 20 | 0189-202PR | 130 | | | | | | | |
| 5.00 | 300 | 20 | 0189-203PL | 129 | | | | | | | |
| 5.00 | 300 | 20 | 0189-203PR | 130 | | | | | | | |
| 5.00 | 300 | 20 | 0189-204PL | 129 | | | | | | | |
| 5.00 | 300 | 20 | 0189-204PR | 130 | | | | | | | |
| 5.00 | 300 | 20 | 0189-212PL | 129 | | | | | | | |
| 5.00 | 300 | 20 | 0189-212PR | 130 | | | | | | | |

Table of Contents

DEG/DMEN Electronic Housing & DMER Component Housing

| Pitch (mm) | Voltage (V) | Current (A) | Part number | Page | Remarks | Pitch (mm) | Voltage (V) | Current (A) | Part number | Page | Remarks |
|------------|-------------|-------------|-------------|------|---------|------------|-------------|-------------|-------------|------|---------|
| | 250 | 12 | DEGM-12P | 133 | | | 300 | 20 | DMER-41 | 135 | |
| | 250 | 15 | DMUG-22 | 134 | | | 500 | 10 | DEG-02P | 133 | |
| | 250 | 15 | DMUG-45 | 134 | | | 500 | 10 | DEG-04P | 133 | |
| | 250 | 12 | DMEN-S2P | 134 | | | 500 | 10 | DEGH-03P | 134 | |
| | 250 | 12 | DMEN-S3P | 134 | | | 500 | 10 | DEGH-06P | 134 | |
| | 250 | 12 | DMEN-S4P | 134 | | | | | DMM-2251-22 | 132 | |
| | 250 | 12 | DMEN-T2P | 134 | | | | | DMM-2252-22 | 132 | |
| | 250 | 12 | DMEN-T3P | 134 | | | | | DMM-2251-33 | 132 | |
| | 250 | 12 | DMEN-T4P | 134 | | | | | DMM-2252-33 | 132 | |
| | 250 | 12 | DMES-T2P | 134 | | | | | DMM-2254-33 | 132 | |
| | 300 | 12 | DEGM-03P | 133 | | | | | DMER-10 | 135 | |
| | 300 | 12 | DEGM-06P | 133 | | | | | | | |

PCB Carrier Din Rail/ Panel Mounting

| Pitch (mm) | Voltage (V) | Current (A) | Part number | Page | Remarks | Pitch (mm) | Voltage (V) | Current (A) | Part number | Page | Remarks |
|------------|-------------|-------------|-------------|------|---------|------------|-------------|-------------|-------------|------|---------|
| | | | 0040-0301E | 137 | | | | | 0040-0322E | 137 | |
| | | | 0040-0302E | 137 | | | | | 0040-0324E | 37 | |
| | | | 0040-0303E | 137 | | | | | 0040-0326E | 137 | |
| | | | 0040-0305E | 137 | | | 250 | 10 | RYP5A-04N | 138 | |
| | | | 0040-0308E | 137 | | | 250 | 10 | RYP5M-05F | 138 | |
| | | | 0040-0311E | 137 | | | 250 | 10 | RYP5-05N | 138 | |
| | | | 0040-0314E | 137 | | | 250 | 10 | RYP5-08N | 138 | |
| | | | 0040-0316E | 137 | | | | | KMRT-XXXX | 138 | |
| | | | 0040-0318E | 137 | | | | | KMRF-XXXX | 138 | |
| | | | 0040-0320E | 137 | | | | | KMRH-K175 | 138 | |

Panel Feed-through Terminal Blocks

| Pitch (mm) | Voltage (V) | Current (A) | Part number | Page | Remarks | Pitch (mm) | Voltage (V) | Current (A) | Part number | Page | Remarks |
|------------|-------------|-------------|-------------|------|-----------|------------|-------------|-------------|-------------|------|---------|
| 8.10 | 300 | 30 | PPACN-4 | 139 | | 12.10 | 600 | 85 | PPAC-16 | 140 | |
| 8.10 | 300 | 30 | PPACNV-4 | 139 | | 12.10 | 600 | 85 | PPACV-16 | 140 | |
| 10.00 | 300 | 30 | PPAC-4SS | 141 | | 12.10 | 600 | 85 | PPAC-16AS | 140 | |
| 10.00 | 300 | | PPAC-4SSG | 141 | Grounding | 12.10 | 600 | 85 | PPACV-16AS | 140 | |
| 10.00 | 300 | 65 | PPAC-10SS | 141 | | 15.10 | 300 | 115 | PPAC-25 | 140 | |
| 10.00 | 300 | | PPAC-10SSG | 141 | | 15.10 | 300 | 115 | PPAC-25AS | 140 | |
| 10.10 | 300 | 65 | PPACN-10 | 139 | | 15.10 | 300 | 85 | PPAC-25SS | 142 | |
| 10.10 | 300 | 65 | PPACN-10AS | 139 | | 18.80 | 600 | 150 | PPAC-50 | 140 | |
| 10.10 | 300 | 65 | PPACN-10Z | 139 | | 18.80 | 300/600 | 150/5 | PPAC-50AS | 140 | |
| 12.10 | 300 | 85 | PPAC-16SS | 141 | | 25.00 | 600 | 230 | PPAC-95 | 141 | |
| 12.10 | 300 | | PPAC-16SSG | 141 | | 25.00 | 600 | 230 | PPAC-95MAS | 141 | |

Barrier Type Terminal Blocks

| Pitch (mm) | Voltage (V) | Current (A) | Part number | Page | Remarks | Pitch (mm) | Voltage (V) | Current (A) | Part number | Page | Remarks |
|------------|-------------|-------------|---------------|------|---------|-----------------------------------|-------------|-----------------|---------------|------|---------|
| 7.62 | 300 | 10 | 0186-10XX | 147 | | 11.00 | 600 | 40 | DT-66-B02W-XX | 149 | |
| 7.62 | 300 | 15 | DT-25-A02W-XX | 145 | | 13.00 | 600 | 40 | DT-7C-A02W-XX | 150 | |
| 7.62 | 300 | 15 | DT-25-B01W-XX | 145 | | 13.00 | 600 | 40 | DT-7C-B01W-XX | 150 | |
| 7.62 | 300 | 15 | DT-25-B07W-XX | 146 | | 13.00 | 600 | 40 | DT-7C-B18W-XX | 150 | |
| 7.62 | 300 | 15 | DT-25-B14W-XX | 146 | | 16.00 | 600 | 50 | 0032-11XX | 151 | |
| 7.62 | 300 | 15 | DT-2G-A02W-XX | 145 | | 16.00 | 600 | 65 | 0166-80XX | 151 | |
| 7.62 | 300 | 15 | DT-2G-B01W-XX | 145 | | 16.00 | 600 | 65 | 0166-80XXC | 151 | |
| 7.62 | 300 | 15 | DT-2G-B14W-XX | 146 | | Triple Barrier, Single Row | | | | | |
| 8.25 | 300 | 20 | DT-31-B01W-XX | 146 | | 6.35 | 300 | 15 | DT-29-B01W-XX | 152 | |
| 8.25 | 300 | 20 | DT-35-A02W-XX | 146 | | 6.35 | 300 | 15 | DT-29-B02W-XX | 152 | |
| 8.25 | 300 | 20 | DT-35-B01W-XX | 146 | | 7.62 | 300 | 6 | 0032-09XX | 152 | |
| 8.89 | 300 | 15 | DT-3C-B01W-XX | 148 | | 7.62 | 300 | 10 | 0032-14XX | 153 | |
| 8.89 | 300 | 15 | DT-89-B01W-XX | 148 | | 7.90 | 300 | 30 | 0167-10XX | 154 | |
| 9.50 | 300 | 25 | DT-45-A02W-XX | 147 | | 8.25 | 300 | 20 | DT-39-B01W-XX | 153 | |
| 9.50 | 300 | 25 | DT-45-B01W-XX | 147 | | 8.25 | 300 | 20 | DT-39-B02W-XX | 153 | |
| 9.50 | 300 | 20 | DT-4C-B01W-XX | 147 | | 8.80 | 600 | 20 | 0167-90XX | 154 | |
| 9.50 | 300 | 20 | DT-4C-B14W-XX | 147 | | 9.50 | 300 | 25 | DT-49-B01W-XX | 153 | |
| 10.00 | 300 | 20 | DT-5C-B01W-XX | 149 | | 9.50 | 300 | 25 | DT-49-B02W-XX | 153 | |
| 10.00 | 300 | 20 | DT-5C-B81W-XX | 148 | | 9.50 | 300 | 25 | DT-49-C91W-XX | 154 | |
| 10.00 | 300 | 20 | DT-5C-B84W-XX | 148 | | 10.00 | 300 | 45 | 0186-40XX | 154 | |
| 10.00 | 300 | 25 | DT-55-B01W-XX | 148 | | 11.00 | 300 | 30 | DT-69-B01W-XX | 154 | |
| 10.00 | 300 | 25 | DT-55-B14W-XX | 148 | | 11.00 | 300 | 30 / 50 | 0167-52XX | 155 | |
| 11.00 | 300 | 40 | DT-66-B01W-XX | 149 | | 11.00 | 600 | 20 / 45 | DT-69-H53W-XX | 155 | |
| 11.00 | 300 | 40 | DT-66-B11W-XX | 150 | | 11.00 | 600 | 30 / 50 | 0167-50XX | 155 | |
| 11.00 | 300 | 40 | DT-66-C01W-XX | 149 | | 12.70 | 600 | 43(sol)/45(str) | DT-79-B01W-XX | 156 | |
| 11.00 | 300 | 40 | DT-66-C11W-XX | 150 | | 13.00 | 300 | 65 | 0167-80XX | 156 | |
| 11.00 | 300 | 25 | DT-65-A02W-XX | 150 | | 13.00 | 300 | 65 | 0167-80XXC | 156 | |
| 11.00 | 300 | 25 | DT-65-B01W-XX | 150 | | 13.00 | 600 | 20 | 0167-70XX | 156 | |
| 11.00 | 300 | 25 | DT-65-B14W-XX | 150 | | | | | | | |

PCB Carrier Din Rail / Panel Mounting

| Pitch (mm) | Voltage (V) | Current (A) | Part number | Page | Remarks | Pitch (mm) | Voltage (V) | Current (A) | Part number | Page | Remarks |
|------------|-------------|-------------|-------------|------|---------|------------|-------------|-------------|-------------|------|---------|
| | | | 0040-0101E | 136 | | | | | 0040-0217E | 136 | |
| | | | 0040-0102E | 136 | | | | | 0040-0218E | 136 | |
| | | | 0040-0103E | 136 | | | | | 0040-0219E | 136 | |
| | | | 0040-0104E | 136 | | | | | 0040-0220E | 136 | |
| | | | 0040-0105E | 136 | | | | | 0040-0221E | 136 | |
| | | | 0040-0106E | 136 | | | | | 0040-0222E | 136 | |
| | | | 0040-0107E | 136 | | | | | 0040-0223E | 136 | |
| | | | 0040-0108E | 136 | | | | | 0040-0224E | 136 | |
| | | | 0040-0212E | 136 | | | | | 0040-0225E | 136 | |
| | | | 0040-0213E | 136 | | | | | 0040-0226E | 136 | |
| | | | 0040-0214E | 136 | | | | | 0040-0227E | 136 | |
| | | | 0040-0215E | 136 | | | | | 0040-0228E | 136 | |
| | | | 0040-0216E | 136 | | | | | 0040-0229E | 136 | |

Table of Contents

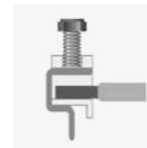
Barrier Type Terminal Blocks

| Pitch (mm) | Voltage (V) | Current (A) | Part number | Page | Remarks | Pitch (mm) | Voltage (V) | Current (A) | Part number | Page | Remarks |
|--|-------------|-------------|-------------|------|---------|------------|-------------|-------------|--------------|------|---------|
| Test Terminal Blocks | | | | | | | | | | | |
| 11.58 | 300 | 60 | 0113-22XX | 143 | | | | | | | |
| Triple Barrier, Bi-Level | | | | | | | | | | | |
| 7.62 | 300 | 10 | 0032-15XX | 157 | | 9.52 | 300 | 20 | 4DC-B01W-XX | 157 | |
| 7.62 | 300 | 15 | 2DC-B01W-XX | 158 | | 9.70 | 300 | 15 | 0032-45XX | 158 | |
| 7.62 | 300 | 15 | 2DD-B01W-XX | 158 | | 14.30 | 600 | 35 | 0113-10XX | 158 | |
| 7.62 | 300 | 20 | 0032-23XX | 158 | | | | | | | |
| Barrier Type Panel Feed Through Terminal Blocks | | | | | | | | | | | |
| 8.50 | 300 | 20 | 0168-10XX | 160 | | 21.00 | 600 | 130 | 0168-51XX | 161 | |
| 8.50 | 300 | 20 | 0168-14XX | 160 | | 21.00 | 600 | 130 | 0168-54XX | 162 | |
| 8.50 | 300 | 20 | 0168-15XX | 160 | | 27.00 | 600 | 175 | 0168-62XX | 163 | |
| 11.00 | 300 | 30 | 0168-20XX | 161 | | 27.00 | 600 | 175 | 0168-63XX | 163 | |
| 11.00 | 300 | 30 | 0168-24XX | 161 | | 27.00 | 600 | 175 | 0168-65XX | 163 | |
| 13.00 | 600 | 50 | 0168-32XX | 162 | | | | | | | |
| 13.00 | 600 | 50 | 0168-35XX | 162 | | | | | | | |
| 16.00 | 600 | 115 | 0168-40XX | 161 | | | | | | | |
| 16.00 | 600 | 115 | 0168-42XX | 162 | | | | | | | |
| 16.00 | 600 | 115 | 0168-43XX | 162 | | | | | | | |
| 16.00 | 600 | 115 | 0168-45XX | 162 | | | | | | | |
| 21.00 | 600 | 130 | 0168-50XX | 161 | | | | | | | |
| Quick Terminals / Tabs | | | | | | | | | | | |
| 3.40 | | 20 | P-620 | 166 | | 9.50 | | 25 | DS-401 | 165 | |
| 5.00 | | 30 | P-850 | 165 | | 10.80 | | 85 | P-830 | 166 | |
| 5.00 | | 30 | P-851 | 165 | | 10.80 | | 85 | P-831 | 166 | |
| 5.08 | | 30 | P-610 | 166 | | 11.00 | | 25 | DS-601 | 165 | |
| 5.08 | | 30 | P-860 | 165 | | 13.00 | | 40 | DS-701 | 165 | |
| 5.08 | | 30 | P-861 | 165 | | 13.00 | | 40 | DS-701R | 165 | |
| 5.08 | | 30 | P-871 | 165 | | 15.40 | | 150 | P-840 | 166 | |
| 5.08 | | 30 | P-872 | 165 | | | | | S000001100-F | 166 | |
| 7.00 | | 50 | P-820 | 166 | | | | | S000001200-F | 166 | |
| 7.50 | | 80 | P-810 | 166 | | | | | S000004700-F | 166 | |
| 7.62 | | 15 | DS-201 | 165 | | | | | S000008400-F | 166 | |
| 8.25 | | 20 | DS-301 | 165 | | | | | | | |

Accessories

| Pitch (mm) | Voltage (V) | Current (A) | Part number | Page | Remarks | Pitch (mm) | Voltage (V) | Current (A) | Part number | Page | Remarks |
|------------|-------------|-------------|-------------|------|------------|------------|-------------|-------------|-------------|------|-----------------|
| | | | 0159K1L | 22 | Key coding | | | | ECHK1L | 66 | Key coding, THR |
| | | | 0225K1 | 24 | Key coding | | | | ECHK2 | 66 | Key coding |
| | | | 0225K2L | 24 | Key coding | | | | EHDK1 | 66 | Key coding |
| | | | 0225K3 | 24 | Key coding | | | | EHDK1L | 66 | Key coding, THR |
| | | | 0225K4L | 24 | Key coding | | | | ESDK1 | 66 | Key coding |
| | | | 0227K1 | 27 | Key coding | | | | ESDK2 | 66 | Key coding |
| | | | 0227K2L | 28 | Key coding | | | | SDH-002 | 38 | Wire entry tool |
| | | | CSC-01XX | 66 | Jumper | | | | SDH-003 | 38 | Wire entry tool |
| | | | ECHK1 | 66 | Key coding | | | | | | |

Connection methods



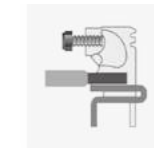
Screw connection



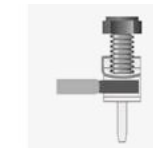
Spring clamp connection



Push-in design



Front screw connection

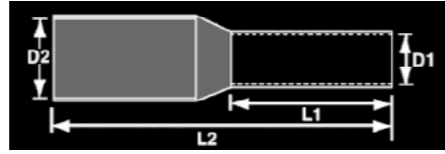


Wire protector type



Iron soldering

Wire Ferrules



Unit:mm

| Part No. | Wire Range | | Dimension Unit:mm | | Dimension Unit:mm | | DIN Color | Package | | Tools | | | | | | | | | | | | | | | | | | | | | | | | | | | | | | | | | | | | | | | | | | | | | | | | | | | | | | | | | | | | | | | | | | | | | | | | | | | | | | | | | | | | | | | | | | | | | | | | | | | | | | | | | | | | | | | | | | | | | | | | | | | | | | | | | | | | | | | | | | | | | | | | | | | | | | | | | | | | | | | | | | | | | | | | | | | | | | | | | | | | | | | | | | | | | | | | | | | | | | | | | | | | | | | | | | | | | | | | | | | | | | | | | | | | | | |
|----------|------------|-----------------|-------------------|------|-------------------|----|------------|---------|----------|---|----------|-----|------|-----|-----|----|-------|----------|----------|----------|----|----------|----------|----|-----|---|-----|----|----------|-------|---|----------|------|-----|----------|----|----|----------|-------|------|-----|-----|---|----------|------|---|----------|----|----------|----------|----|----------|----------|----|----------|----------|----|---|-----|---|---|-----|-----|---|----------|---|----|----------|----|----------|----------|----|----------|----------|----|-----|-----|-----|----|----------|-------|---|----------|----|----------|----------|-----|-----|----------|----|----|----------|----|-----|-----|-----|---|----------|------|---|----------|----|----------|----------|----|----------|----------|----|----------|----------|----|---|-----|-----|-----|-----|------|---|----------|----|----|----------|----|----------|----------|----|----------|-----|-----|----------|----|--------|----------|----------|----|-----|----------|---|----|-----|-----|----|----|-----|-----|----------|----|----------|----------|----|----------|-----|-----|----------|----|------|----------|-----|----|----------|---|----|-----|------|--------|-----|--------|----|----------|----|----|----------|----|----|----------|---|----|-----|------|-----|----|-----|----|----------|-----|-----|----------|----|----|----------|---|----|------|-----|----|----|------|----------|----------|----|----------|----------|-----|-----|------|----|----|--------|--------|---|----------|-----|----|----------|----|----|----------|-----|----------|-----|------|------|----|-----|----|----------|----------|----------|----------|------|----|----------|----|--------|------|----|----|----|------|----|
| | AWG | mm ² | D1 | D2 | L1 | L2 | | pcs/bag | bags/box | | | | | | | | | | | | | | | | | | | | | | | | | | | | | | | | | | | | | | | | | | | | | | | | | | | | | | | | | | | | | | | | | | | | | | | | | | | | | | | | | | | | | | | | | | | | | | | | | | | | | | | | | | | | | | | | | | | | | | | | | | | | | | | | | | | | | | | | | | | | | | | | | | | | | | | | | | | | | | | | | | | | | | | | | | | | | | | | | | | | | | | | | | | | | | | | | | | | | | | | | | | | | | | | | | | | | | | | | | | | | | | | | | | | | | | |
| DN00206D | 24 | 0.2 | 0.75 | 1.9 | 6 | 10 | Light Blue | 1000 | 10 | Note: The wire diameter of the table is determined according to UL486E, IEC998-1 and IEC947-7. Please refer to the table to select suitable ferrules. All recommended ferrules in this catalogue are in accordance with this table. | | | | | | | | | | | | | | | | | | | | | | | | | | | | | | | | | | | | | | | | | | | | | | | | | | | | | | | | | | | | | | | | | | | | | | | | | | | | | | | | | | | | | | | | | | | | | | | | | | | | | | | | | | | | | | | | | | | | | | | | | | | | | | | | | | | | | | | | | | | | | | | | | | | | | | | | | | | | | | | | | | | | | | | | | | | | | | | | | | | | | | | | | | | | | | | | | | | | | | | | | | | | | | | | | | | | | | | | | | | | | | | | | | | | | | |
| DN00208D | | | | | 8 | 12 | | | | | DN00306D | 22 | 0.34 | 0.8 | 1.9 | 6 | 10 | Turouise | 500 | DN00308D | 8 | 12 | DN00506D | 20 | 0.5 | 1 | 2.6 | 6 | 12 | White | 8 | DN00508D | 8 | 14 | DN00510D | 10 | 16 | DN00706D | 18/20 | 0.75 | 1.2 | 2.8 | 6 | 12 | Grey | 6 | DN00708D | 8 | 14 | DN00710D | 10 | 16 | DN00712D | 12 | 18 | DN01006D | 18 | 1 | 1.4 | 3 | 6 | 12 | Red | 4 | DN01008D | 8 | 14 | DN01010D | 10 | 16 | DN01012D | 12 | 18 | DN01508D | 16 | 1.5 | 1.7 | 3.5 | 8 | 14 | Black | 3 | DN01510D | 10 | 16 | DN01512D | 12 | 18 | DN01518D | 18 | 24 | DN02508D | 14 | 2.5 | 2.2 | 4.2 | 8 | 14 | Blue | 2 | DN02510D | 10 | 16 | DN02512D | 12 | 18 | DN02518D | 18 | 24 | DN04010D | 12 | 4 | 2.8 | 4.8 | 10 | 17 | Grey | 1 | DN04012D | 12 | 20 | DN04018D | 18 | 26 | DN06012D | 10 | 6 | 3.5 | 6.3 | 12 | 20 | Yellow | 200 | DN06018D | 18 | 26 | DN10012D | 8 | 10 | 4.5 | 7.6 | 12 | 22 | Red | 100 | DN10018D | 18 | 28 | DN16012D | 6 | 16 | 5.8 | 8.8 | 12 | 22 | Blue | DN16018D | 18 | 28 | DN25016D | 4 | 25 | 7.3 | 11.2 | 16 | 30 | Yellow | 50 | DN25018D | 18 | 30 | DN25022D | 22 | 36 | DN35016D | 2 | 35 | 8.3 | 12.7 | 16 | 30 | Red | 20 | DN35018D | 18 | 32 | DN35025D | 25 | 39 | DN50020D | 1 | 50 | 10.3 | 15 | 20 | 36 | Blue | 50 | DN50025D | 25 | 40 | DN70021D | 2/0 | 70 | 13.5 | 16 | 21 | 37 | Yellow | 1 | DN95025D | 3/0 | 95 | 14.7 | 18 | 25 | 44 | Red | DN96027D | 4/0 | 120 | 16.7 | 20 | 27 | 48 | Blue | DN97032D | 250kcmil | 150 | 19.5 | 23 | 32 | 58 | Yellow | | | | | | |
| DN00306D | 22 | 0.34 | 0.8 | 1.9 | 6 | 10 | Turouise | 500 | | | | | | | | | | | | | | | | | | | | | | | | | | | | | | | | | | | | | | | | | | | | | | | | | | | | | | | | | | | | | | | | | | | | | | | | | | | | | | | | | | | | | | | | | | | | | | | | | | | | | | | | | | | | | | | | | | | | | | | | | | | | | | | | | | | | | | | | | | | | | | | | | | | | | | | | | | | | | | | | | | | | | | | | | | | | | | | | | | | | | | | | | | | | | | | | | | | | | | | | | | | | | | | | | | | | | | | | | | | | | | | | | | | | | | | | |
| DN00308D | | | | | 8 | 12 | | | DN00506D | | 20 | 0.5 | 1 | 2.6 | 6 | 12 | White | 8 | DN00508D | 8 | 14 | DN00510D | 10 | | | | | 16 | DN00706D | | | 18/20 | 0.75 | 1.2 | 2.8 | 6 | 12 | Grey | | | | | 6 | DN00708D | | | 8 | 14 | DN00710D | 10 | 16 | DN00712D | 12 | 18 | DN01006D | 18 | | | | | 1 | 1.4 | | | 3 | 6 | 12 | Red | 4 | DN01008D | 8 | 14 | DN01010D | 10 | | | | | 16 | DN01012D | | | 12 | 18 | DN01508D | 16 | 1.5 | 1.7 | 3.5 | 8 | 14 | Black | | | | | 3 | DN01510D | | | 10 | 16 | DN01512D | 12 | 18 | DN01518D | 18 | 24 | DN02508D | 14 | | | | | 2.5 | 2.2 | | | 4.2 | 8 | 14 | Blue | 2 | DN02510D | 10 | 16 | DN02512D | 12 | 18 | DN02518D | 18 | 24 | DN04010D | 12 | 4 | 2.8 | 4.8 | | | | | 10 | 17 | | | Grey | 1 | DN04012D | 12 | 20 | DN04018D | 18 | 26 | DN06012D | 10 | 6 | 3.5 | 6.3 | 12 | 20 | | | | | Yellow | 200 | | | DN06018D | 18 | 26 | DN10012D | 8 | 10 | 4.5 | | | | | 7.6 | 12 | | | 22 | Red | 100 | DN10018D | 18 | 28 | DN16012D | 6 | 16 | 5.8 | 8.8 | 12 | 22 | Blue | DN16018D | 18 | 28 | DN25016D | 4 | 25 | 7.3 | 11.2 | 16 | 30 | Yellow | 50 | | DN25018D | 18 | 30 | DN25022D | 22 | 36 | DN35016D | 2 | 35 | 8.3 | 12.7 | 16 | 30 | Red | 20 | DN35018D | 18 | 32 | DN35025D | 25 | 39 | DN50020D | 1 | 50 | 10.3 | 15 | 20 | 36 | Blue | 50 |
| DN00506D | 20 | 0.5 | 1 | 2.6 | 6 | 12 | White | 8 | | | | | | | | | | | | | | | | | | | | | | | | | | | | | | | | | | | | | | | | | | | | | | | | | | | | | | | | | | | | | | | | | | | | | | | | | | | | | | | | | | | | | | | | | | | | | | | | | | | | | | | | | | | | | | | | | | | | | | | | | | | | | | | | | | | | | | | | | | | | | | | | | | | | | | | | | | | | | | | | | | | | | | | | | | | | | | | | | | | | | | | | | | | | | | | | | | | | | | | | | | | | | | | | | | | | | | | | | | | | | | | | | | | | | | | | |
| DN00508D | | | | | 8 | 14 | | | | | | | | | | | | | | | | | | | | | | | | | | | | | | | | | | | | | | | | | | | | | | | | | | | | | | | | | | | | | | | | | | | | | | | | | | | | | | | | | | | | | | | | | | | | | | | | | | | | | | | | | | | | | | | | | | | | | | | | | | | | | | | | | | | | | | | | | | | | | | | | | | | | | | | | | | | | | | | | | | | | | | | | | | | | | | | | | | | | | | | | | | | | | | | | | | | | | | | | | | | | | | | | | | | | | | | | | | | | | | | | | | | | | | | | | | |
| DN00510D | | | | | 10 | 16 | | | | | | | | | | | | | | | | | | | | | | | | | | | | | | | | | | | | | | | | | | | | | | | | | | | | | | | | | | | | | | | | | | | | | | | | | | | | | | | | | | | | | | | | | | | | | | | | | | | | | | | | | | | | | | | | | | | | | | | | | | | | | | | | | | | | | | | | | | | | | | | | | | | | | | | | | | | | | | | | | | | | | | | | | | | | | | | | | | | | | | | | | | | | | | | | | | | | | | | | | | | | | | | | | | | | | | | | | | | | | | | | | | | | | | | | | | |
| DN00706D | 18/20 | 0.75 | 1.2 | 2.8 | 6 | 12 | Grey | 6 | | | | | | | | | | | | | | | | | | | | | | | | | | | | | | | | | | | | | | | | | | | | | | | | | | | | | | | | | | | | | | | | | | | | | | | | | | | | | | | | | | | | | | | | | | | | | | | | | | | | | | | | | | | | | | | | | | | | | | | | | | | | | | | | | | | | | | | | | | | | | | | | | | | | | | | | | | | | | | | | | | | | | | | | | | | | | | | | | | | | | | | | | | | | | | | | | | | | | | | | | | | | | | | | | | | | | | | | | | | | | | | | | | | | | | | | |
| DN00708D | | | | | 8 | 14 | | | | | | | | | | | | | | | | | | | | | | | | | | | | | | | | | | | | | | | | | | | | | | | | | | | | | | | | | | | | | | | | | | | | | | | | | | | | | | | | | | | | | | | | | | | | | | | | | | | | | | | | | | | | | | | | | | | | | | | | | | | | | | | | | | | | | | | | | | | | | | | | | | | | | | | | | | | | | | | | | | | | | | | | | | | | | | | | | | | | | | | | | | | | | | | | | | | | | | | | | | | | | | | | | | | | | | | | | | | | | | | | | | | | | | | | | | |
| DN00710D | | | | | 10 | 16 | | | | | | | | | | | | | | | | | | | | | | | | | | | | | | | | | | | | | | | | | | | | | | | | | | | | | | | | | | | | | | | | | | | | | | | | | | | | | | | | | | | | | | | | | | | | | | | | | | | | | | | | | | | | | | | | | | | | | | | | | | | | | | | | | | | | | | | | | | | | | | | | | | | | | | | | | | | | | | | | | | | | | | | | | | | | | | | | | | | | | | | | | | | | | | | | | | | | | | | | | | | | | | | | | | | | | | | | | | | | | | | | | | | | | | | | | | |
| DN00712D | | | | | 12 | 18 | | | | | | | | | | | | | | | | | | | | | | | | | | | | | | | | | | | | | | | | | | | | | | | | | | | | | | | | | | | | | | | | | | | | | | | | | | | | | | | | | | | | | | | | | | | | | | | | | | | | | | | | | | | | | | | | | | | | | | | | | | | | | | | | | | | | | | | | | | | | | | | | | | | | | | | | | | | | | | | | | | | | | | | | | | | | | | | | | | | | | | | | | | | | | | | | | | | | | | | | | | | | | | | | | | | | | | | | | | | | | | | | | | | | | | | | | | |
| DN01006D | 18 | 1 | 1.4 | 3 | 6 | 12 | Red | 4 | | | | | | | | | | | | | | | | | | | | | | | | | | | | | | | | | | | | | | | | | | | | | | | | | | | | | | | | | | | | | | | | | | | | | | | | | | | | | | | | | | | | | | | | | | | | | | | | | | | | | | | | | | | | | | | | | | | | | | | | | | | | | | | | | | | | | | | | | | | | | | | | | | | | | | | | | | | | | | | | | | | | | | | | | | | | | | | | | | | | | | | | | | | | | | | | | | | | | | | | | | | | | | | | | | | | | | | | | | | | | | | | | | | | | | | | |
| DN01008D | | | | | 8 | 14 | | | | | | | | | | | | | | | | | | | | | | | | | | | | | | | | | | | | | | | | | | | | | | | | | | | | | | | | | | | | | | | | | | | | | | | | | | | | | | | | | | | | | | | | | | | | | | | | | | | | | | | | | | | | | | | | | | | | | | | | | | | | | | | | | | | | | | | | | | | | | | | | | | | | | | | | | | | | | | | | | | | | | | | | | | | | | | | | | | | | | | | | | | | | | | | | | | | | | | | | | | | | | | | | | | | | | | | | | | | | | | | | | | | | | | | | | | |
| DN01010D | | | | | 10 | 16 | | | | | | | | | | | | | | | | | | | | | | | | | | | | | | | | | | | | | | | | | | | | | | | | | | | | | | | | | | | | | | | | | | | | | | | | | | | | | | | | | | | | | | | | | | | | | | | | | | | | | | | | | | | | | | | | | | | | | | | | | | | | | | | | | | | | | | | | | | | | | | | | | | | | | | | | | | | | | | | | | | | | | | | | | | | | | | | | | | | | | | | | | | | | | | | | | | | | | | | | | | | | | | | | | | | | | | | | | | | | | | | | | | | | | | | | | | |
| DN01012D | | | | | 12 | 18 | | | | | | | | | | | | | | | | | | | | | | | | | | | | | | | | | | | | | | | | | | | | | | | | | | | | | | | | | | | | | | | | | | | | | | | | | | | | | | | | | | | | | | | | | | | | | | | | | | | | | | | | | | | | | | | | | | | | | | | | | | | | | | | | | | | | | | | | | | | | | | | | | | | | | | | | | | | | | | | | | | | | | | | | | | | | | | | | | | | | | | | | | | | | | | | | | | | | | | | | | | | | | | | | | | | | | | | | | | | | | | | | | | | | | | | | | | |
| DN01508D | 16 | 1.5 | 1.7 | 3.5 | 8 | 14 | Black | 3 | | | | | | | | | | | | | | | | | | | | | | | | | | | | | | | | | | | | | | | | | | | | | | | | | | | | | | | | | | | | | | | | | | | | | | | | | | | | | | | | | | | | | | | | | | | | | | | | | | | | | | | | | | | | | | | | | | | | | | | | | | | | | | | | | | | | | | | | | | | | | | | | | | | | | | | | | | | | | | | | | | | | | | | | | | | | | | | | | | | | | | | | | | | | | | | | | | | | | | | | | | | | | | | | | | | | | | | | | | | | | | | | | | | | | | | | |
| DN01510D | | | | | 10 | 16 | | | | | | | | | | | | | | | | | | | | | | | | | | | | | | | | | | | | | | | | | | | | | | | | | | | | | | | | | | | | | | | | | | | | | | | | | | | | | | | | | | | | | | | | | | | | | | | | | | | | | | | | | | | | | | | | | | | | | | | | | | | | | | | | | | | | | | | | | | | | | | | | | | | | | | | | | | | | | | | | | | | | | | | | | | | | | | | | | | | | | | | | | | | | | | | | | | | | | | | | | | | | | | | | | | | | | | | | | | | | | | | | | | | | | | | | | | |
| DN01512D | | | | | 12 | 18 | | | | | | | | | | | | | | | | | | | | | | | | | | | | | | | | | | | | | | | | | | | | | | | | | | | | | | | | | | | | | | | | | | | | | | | | | | | | | | | | | | | | | | | | | | | | | | | | | | | | | | | | | | | | | | | | | | | | | | | | | | | | | | | | | | | | | | | | | | | | | | | | | | | | | | | | | | | | | | | | | | | | | | | | | | | | | | | | | | | | | | | | | | | | | | | | | | | | | | | | | | | | | | | | | | | | | | | | | | | | | | | | | | | | | | | | | | |
| DN01518D | | | | | 18 | 24 | | | | | | | | | | | | | | | | | | | | | | | | | | | | | | | | | | | | | | | | | | | | | | | | | | | | | | | | | | | | | | | | | | | | | | | | | | | | | | | | | | | | | | | | | | | | | | | | | | | | | | | | | | | | | | | | | | | | | | | | | | | | | | | | | | | | | | | | | | | | | | | | | | | | | | | | | | | | | | | | | | | | | | | | | | | | | | | | | | | | | | | | | | | | | | | | | | | | | | | | | | | | | | | | | | | | | | | | | | | | | | | | | | | | | | | | | | |
| DN02508D | 14 | 2.5 | 2.2 | 4.2 | 8 | 14 | Blue | 2 | | | | | | | | | | | | | | | | | | | | | | | | | | | | | | | | | | | | | | | | | | | | | | | | | | | | | | | | | | | | | | | | | | | | | | | | | | | | | | | | | | | | | | | | | | | | | | | | | | | | | | | | | | | | | | | | | | | | | | | | | | | | | | | | | | | | | | | | | | | | | | | | | | | | | | | | | | | | | | | | | | | | | | | | | | | | | | | | | | | | | | | | | | | | | | | | | | | | | | | | | | | | | | | | | | | | | | | | | | | | | | | | | | | | | | | | |
| DN02510D | | | | | 10 | 16 | | | | | | | | | | | | | | | | | | | | | | | | | | | | | | | | | | | | | | | | | | | | | | | | | | | | | | | | | | | | | | | | | | | | | | | | | | | | | | | | | | | | | | | | | | | | | | | | | | | | | | | | | | | | | | | | | | | | | | | | | | | | | | | | | | | | | | | | | | | | | | | | | | | | | | | | | | | | | | | | | | | | | | | | | | | | | | | | | | | | | | | | | | | | | | | | | | | | | | | | | | | | | | | | | | | | | | | | | | | | | | | | | | | | | | | | | | |
| DN02512D | | | | | 12 | 18 | | | | | | | | | | | | | | | | | | | | | | | | | | | | | | | | | | | | | | | | | | | | | | | | | | | | | | | | | | | | | | | | | | | | | | | | | | | | | | | | | | | | | | | | | | | | | | | | | | | | | | | | | | | | | | | | | | | | | | | | | | | | | | | | | | | | | | | | | | | | | | | | | | | | | | | | | | | | | | | | | | | | | | | | | | | | | | | | | | | | | | | | | | | | | | | | | | | | | | | | | | | | | | | | | | | | | | | | | | | | | | | | | | | | | | | | | | |
| DN02518D | | | | | 18 | 24 | | | | | | | | | | | | | | | | | | | | | | | | | | | | | | | | | | | | | | | | | | | | | | | | | | | | | | | | | | | | | | | | | | | | | | | | | | | | | | | | | | | | | | | | | | | | | | | | | | | | | | | | | | | | | | | | | | | | | | | | | | | | | | | | | | | | | | | | | | | | | | | | | | | | | | | | | | | | | | | | | | | | | | | | | | | | | | | | | | | | | | | | | | | | | | | | | | | | | | | | | | | | | | | | | | | | | | | | | | | | | | | | | | | | | | | | | | |
| DN04010D | 12 | 4 | 2.8 | 4.8 | 10 | 17 | Grey | 1 | | | | | | | | | | | | | | | | | | | | | | | | | | | | | | | | | | | | | | | | | | | | | | | | | | | | | | | | | | | | | | | | | | | | | | | | | | | | | | | | | | | | | | | | | | | | | | | | | | | | | | | | | | | | | | | | | | | | | | | | | | | | | | | | | | | | | | | | | | | | | | | | | | | | | | | | | | | | | | | | | | | | | | | | | | | | | | | | | | | | | | | | | | | | | | | | | | | | | | | | | | | | | | | | | | | | | | | | | | | | | | | | | | | | | | | | |
| DN04012D | | | | | 12 | 20 | | | | | | | | | | | | | | | | | | | | | | | | | | | | | | | | | | | | | | | | | | | | | | | | | | | | | | | | | | | | | | | | | | | | | | | | | | | | | | | | | | | | | | | | | | | | | | | | | | | | | | | | | | | | | | | | | | | | | | | | | | | | | | | | | | | | | | | | | | | | | | | | | | | | | | | | | | | | | | | | | | | | | | | | | | | | | | | | | | | | | | | | | | | | | | | | | | | | | | | | | | | | | | | | | | | | | | | | | | | | | | | | | | | | | | | | | | |
| DN04018D | | | | | 18 | 26 | | | | | | | | | | | | | | | | | | | | | | | | | | | | | | | | | | | | | | | | | | | | | | | | | | | | | | | | | | | | | | | | | | | | | | | | | | | | | | | | | | | | | | | | | | | | | | | | | | | | | | | | | | | | | | | | | | | | | | | | | | | | | | | | | | | | | | | | | | | | | | | | | | | | | | | | | | | | | | | | | | | | | | | | | | | | | | | | | | | | | | | | | | | | | | | | | | | | | | | | | | | | | | | | | | | | | | | | | | | | | | | | | | | | | | | | | | |
| DN06012D | 10 | 6 | 3.5 | 6.3 | 12 | 20 | Yellow | 200 | | | | | | | | | | | | | | | | | | | | | | | | | | | | | | | | | | | | | | | | | | | | | | | | | | | | | | | | | | | | | | | | | | | | | | | | | | | | | | | | | | | | | | | | | | | | | | | | | | | | | | | | | | | | | | | | | | | | | | | | | | | | | | | | | | | | | | | | | | | | | | | | | | | | | | | | | | | | | | | | | | | | | | | | | | | | | | | | | | | | | | | | | | | | | | | | | | | | | | | | | | | | | | | | | | | | | | | | | | | | | | | | | | | | | | | | |
| DN06018D | | | | | 18 | 26 | | | | | | | | | | | | | | | | | | | | | | | | | | | | | | | | | | | | | | | | | | | | | | | | | | | | | | | | | | | | | | | | | | | | | | | | | | | | | | | | | | | | | | | | | | | | | | | | | | | | | | | | | | | | | | | | | | | | | | | | | | | | | | | | | | | | | | | | | | | | | | | | | | | | | | | | | | | | | | | | | | | | | | | | | | | | | | | | | | | | | | | | | | | | | | | | | | | | | | | | | | | | | | | | | | | | | | | | | | | | | | | | | | | | | | | | | | |
| DN10012D | 8 | 10 | 4.5 | 7.6 | 12 | 22 | Red | 100 | | | | | | | | | | | | | | | | | | | | | | | | | | | | | | | | | | | | | | | | | | | | | | | | | | | | | | | | | | | | | | | | | | | | | | | | | | | | | | | | | | | | | | | | | | | | | | | | | | | | | | | | | | | | | | | | | | | | | | | | | | | | | | | | | | | | | | | | | | | | | | | | | | | | | | | | | | | | | | | | | | | | | | | | | | | | | | | | | | | | | | | | | | | | | | | | | | | | | | | | | | | | | | | | | | | | | | | | | | | | | | | | | | | | | | | | |
| DN10018D | | | | | 18 | 28 | | | | | | | | | | | | | | | | | | | | | | | | | | | | | | | | | | | | | | | | | | | | | | | | | | | | | | | | | | | | | | | | | | | | | | | | | | | | | | | | | | | | | | | | | | | | | | | | | | | | | | | | | | | | | | | | | | | | | | | | | | | | | | | | | | | | | | | | | | | | | | | | | | | | | | | | | | | | | | | | | | | | | | | | | | | | | | | | | | | | | | | | | | | | | | | | | | | | | | | | | | | | | | | | | | | | | | | | | | | | | | | | | | | | | | | | | | |
| DN16012D | | | | | 6 | 16 | | | 5.8 | 8.8 | 12 | 22 | Blue | | | | | | | | | | | | | | | | | | | | | | | | | | | | | | | | | | | | | | | | | | | | | | | | | | | | | | | | | | | | | | | | | | | | | | | | | | | | | | | | | | | | | | | | | | | | | | | | | | | | | | | | | | | | | | | | | | | | | | | | | | | | | | | | | | | | | | | | | | | | | | | | | | | | | | | | | | | | | | | | | | | | | | | | | | | | | | | | | | | | | | | | | | | | | | | | | | | | | | | | | | | | | | | | | | | | | | | | | | | | | | | | | | | |
| DN16018D | 18 | 28 | | | | | | | | | | | | | | | | | | | | | | | | | | | | | | | | | | | | | | | | | | | | | | | | | | | | | | | | | | | | | | | | | | | | | | | | | | | | | | | | | | | | | | | | | | | | | | | | | | | | | | | | | | | | | | | | | | | | | | | | | | | | | | | | | | | | | | | | | | | | | | | | | | | | | | | | | | | | | | | | | | | | | | | | | | | | | | | | | | | | | | | | | | | | | | | | | | | | | | | | | | | | | | | | | | | | | | | | | | | | | | | | | | | | | | | | | | | | | | |
| DN25016D | 4 | 25 | 7.3 | 11.2 | 16 | 30 | Yellow | 50 | | | | | | | | | | | | | | | | | | | | | | | | | | | | | | | | | | | | | | | | | | | | | | | | | | | | | | | | | | | | | | | | | | | | | | | | | | | | | | | | | | | | | | | | | | | | | | | | | | | | | | | | | | | | | | | | | | | | | | | | | | | | | | | | | | | | | | | | | | | | | | | | | | | | | | | | | | | | | | | | | | | | | | | | | | | | | | | | | | | | | | | | | | | | | | | | | | | | | | | | | | | | | | | | | | | | | | | | | | | | | | | | | | | | | | | | |
| DN25018D | | | | | 18 | 30 | | | | | | | | | | | | | | | | | | | | | | | | | | | | | | | | | | | | | | | | | | | | | | | | | | | | | | | | | | | | | | | | | | | | | | | | | | | | | | | | | | | | | | | | | | | | | | | | | | | | | | | | | | | | | | | | | | | | | | | | | | | | | | | | | | | | | | | | | | | | | | | | | | | | | | | | | | | | | | | | | | | | | | | | | | | | | | | | | | | | | | | | | | | | | | | | | | | | | | | | | | | | | | | | | | | | | | | | | | | | | | | | | | | | | | | | | | |
| DN25022D | | | | | 22 | 36 | | | | | | | | | | | | | | | | | | | | | | | | | | | | | | | | | | | | | | | | | | | | | | | | | | | | | | | | | | | | | | | | | | | | | | | | | | | | | | | | | | | | | | | | | | | | | | | | | | | | | | | | | | | | | | | | | | | | | | | | | | | | | | | | | | | | | | | | | | | | | | | | | | | | | | | | | | | | | | | | | | | | | | | | | | | | | | | | | | | | | | | | | | | | | | | | | | | | | | | | | | | | | | | | | | | | | | | | | | | | | | | | | | | | | | | | | | |
| DN35016D | 2 | 35 | 8.3 | 12.7 | 16 | 30 | Red | 20 | | | | | | | | | | | | | | | | | | | | | | | | | | | | | | | | | | | | | | | | | | | | | | | | | | | | | | | | | | | | | | | | | | | | | | | | | | | | | | | | | | | | | | | | | | | | | | | | | | | | | | | | | | | | | | | | | | | | | | | | | | | | | | | | | | | | | | | | | | | | | | | | | | | | | | | | | | | | | | | | | | | | | | | | | | | | | | | | | | | | | | | | | | | | | | | | | | | | | | | | | | | | | | | | | | | | | | | | | | | | | | | | | | | | | | | | |
| DN35018D | | | | | 18 | 32 | | | | | | | | | | | | | | | | | | | | | | | | | | | | | | | | | | | | | | | | | | | | | | | | | | | | | | | | | | | | | | | | | | | | | | | | | | | | | | | | | | | | | | | | | | | | | | | | | | | | | | | | | | | | | | | | | | | | | | | | | | | | | | | | | | | | | | | | | | | | | | | | | | | | | | | | | | | | | | | | | | | | | | | | | | | | | | | | | | | | | | | | | | | | | | | | | | | | | | | | | | | | | | | | | | | | | | | | | | | | | | | | | | | | | | | | | | |
| DN35025D | | | | | 25 | 39 | | | | | | | | | | | | | | | | | | | | | | | | | | | | | | | | | | | | | | | | | | | | | | | | | | | | | | | | | | | | | | | | | | | | | | | | | | | | | | | | | | | | | | | | | | | | | | | | | | | | | | | | | | | | | | | | | | | | | | | | | | | | | | | | | | | | | | | | | | | | | | | | | | | | | | | | | | | | | | | | | | | | | | | | | | | | | | | | | | | | | | | | | | | | | | | | | | | | | | | | | | | | | | | | | | | | | | | | | | | | | | | | | | | | | | | | | | |
| DN50020D | 1 | 50 | 10.3 | 15 | 20 | 36 | Blue | 50 | | | | | | | | | | | | | | | | | | | | | | | | | | | | | | | | | | | | | | | | | | | | | | | | | | | | | | | | | | | | | | | | | | | | | | | | | | | | | | | | | | | | | | | | | | | | | | | | | | | | | | | | | | | | | | | | | | | | | | | | | | | | | | | | | | | | | | | | | | | | | | | | | | | | | | | | | | | | | | | | | | | | | | | | | | | | | | | | | | | | | | | | | | | | | | | | | | | | | | | | | | | | | | | | | | | | | | | | | | | | | | | | | | | | | | | | |
| DN50025D | | | | | 25 | 40 | | | | | | | | | | | | | | | | | | | | | | | | | | | | | | | | | | | | | | | | | | | | | | | | | | | | | | | | | | | | | | | | | | | | | | | | | | | | | | | | | | | | | | | | | | | | | | | | | | | | | | | | | | | | | | | | | | | | | | | | | | | | | | | | | | | | | | | | | | | | | | | | | | | | | | | | | | | | | | | | | | | | | | | | | | | | | | | | | | | | | | | | | | | | | | | | | | | | | | | | | | | | | | | | | | | | | | | | | | | | | | | | | | | | | | | | | | |
| DN70021D | 2/0 | 70 | 13.5 | 16 | 21 | 37 | Yellow | 1 | | | | | | | | | | | | | | | | | | | | | | | | | | | | | | | | | | | | | | | | | | | | | | | | | | | | | | | | | | | | | | | | | | | | | | | | | | | | | | | | | | | | | | | | | | | | | | | | | | | | | | | | | | | | | | | | | | | | | | | | | | | | | | | | | | | | | | | | | | | | | | | | | | | | | | | | | | | | | | | | | | | | | | | | | | | | | | | | | | | | | | | | | | | | | | | | | | | | | | | | | | | | | | | | | | | | | | | | | | | | | | | | | | | | | | | | |
| DN95025D | 3/0 | 95 | 14.7 | 18 | 25 | 44 | Red | | | | | | | | | | | | | | | | | | | | | | | | | | | | | | | | | | | | | | | | | | | | | | | | | | | | | | | | | | | | | | | | | | | | | | | | | | | | | | | | | | | | | | | | | | | | | | | | | | | | | | | | | | | | | | | | | | | | | | | | | | | | | | | | | | | | | | | | | | | | | | | | | | | | | | | | | | | | | | | | | | | | | | | | | | | | | | | | | | | | | | | | | | | | | | | | | | | | | | | | | | | | | | | | | | | | | | | | | | | | | | | | | | | | | | | | | |
| DN96027D | 4/0 | 120 | 16.7 | 20 | 27 | 48 | Blue | | | | | | | | | | | | | | | | | | | | | | | | | | | | | | | | | | | | | | | | | | | | | | | | | | | | | | | | | | | | | | | | | | | | | | | | | | | | | | | | | | | | | | | | | | | | | | | | | | | | | | | | | | | | | | | | | | | | | | | | | | | | | | | | | | | | | | | | | | | | | | | | | | | | | | | | | | | | | | | | | | | | | | | | | | | | | | | | | | | | | | | | | | | | | | | | | | | | | | | | | | | | | | | | | | | | | | | | | | | | | | | | | | | | | | | | | |
| DN97032D | 250kcmil | 150 | 19.5 | 23 | 32 | 58 | Yellow | | | | | | | | | | | | | | | | | | | | | | | | | | | | | | | | | | | | | | | | | | | | | | | | | | | | | | | | | | | | | | | | | | | | | | | | | | | | | | | | | | | | | | | | | | | | | | | | | | | | | | | | | | | | | | | | | | | | | | | | | | | | | | | | | | | | | | | | | | | | | | | | | | | | | | | | | | | | | | | | | | | | | | | | | | | | | | | | | | | | | | | | | | | | | | | | | | | | | | | | | | | | | | | | | | | | | | | | | | | | | | | | | | | | | | | | | |



DNT13-0102
28-7 AWG
0.08-10 mm²

Wire Ferrules

PID connection PCB connectors



| Wire range | Terminal blocks | Page | Strip length | Applicable Ferrules | | | | Wire range | Terminal blocks | Page | Strip length | Applicable Ferrules | | | | |
|-------------------|-------------------|------|--------------|---------------------|-------|-----------------|--------------|--------------|-----------------|-------------|--------------|---------------------|----------|-----------------|------|----|
| AWG | | | mm | Ferrule P/N | AWG | mm ² | L1 | AWG | | | mm | Ferrule P/N | AWG | mm ² | L1 | |
| 30~20 | 0156-1AXX-BK | 17 | 8 | DN00308D | 22 | 0.34 | 8 | 28~16 | 0225-01XX | 23 | 9 | DN01010D | / | 1 | 10 | |
| | 0156-1BXX-BK | 16 | 8 | DN00208D | 24 | 0.25 | 8 | | 0225-02XX | 23 | 9 | DN00710D | 18 | 0.75 | 10 | |
| | 0156-1CXX-BK | 17 | 8 | | | | | | 0225-03XX | 24 | 9 | DN00510D | 20 | 0.5 | 10 | |
| | 0156-1DXX-BK | 17 | 8 | | | | | | 0225-06XX | 24 | 9 | DN00308D | 22 | 0.34 | 8 | |
| 30~12 | 0189-25XX | 130 | 11~12 | DN02512D | 14 | 2.5 | 12 | 28~16 | 0225-07XX | 24 | 9 | DN00208D | 24 | 0.25 | 8 | |
| | | | | DN01512D | 16 | 1.5 | 12 | | 0225-08XX | 24 | 9 | | | | | |
| | | | | DN01012D | 18 | 1 | 12 | | 0225-04XX | 29 | 9 | DN01008D | / | 1 | 8 | |
| | | | | DN00712D | 18/20 | 0.75 | 12 | | 0225-05XX | 29 | 9 | DN00708D | 18 | 0.75 | 8 | |
| | | | | DN00510D | 20 | 0.5 | 10 | | 0225-09XX | 29 | 9 | DN00508D | 20 | 0.5 | 8 | |
| | | | | DN00308D | 22 | 0.34 | 8 | | 0225-0AXX | 30 | 9 | DN00308D | 22 | 0.34 | 8 | |
| 28~20 | ESC250L-XXP | 41 | 9 | DN00308D | 22 | 0.34 | 8 | 28~16 | 0256-11XX | 3 | 10 | DN00710D | 18 | 0.75 | 10 | |
| | ESC250V-XXP | 41 | 9 | DN00208D | 24 | 0.25 | 8 | | 0256-12XX | 3 | 10 | DN00510D | 20 | 0.5 | 10 | |
| 28~16 | 0156-2AXX-BK | 19 | 8 | DN01010D | / | 1 | 10 | 28~16 | 0256-13XX | 3 | 10 | DN00308D | 22 | 0.34 | 8 | |
| | 0156-2BXX-BK | 19 | 8 | DN00710D | 18 | 0.75 | 10 | | 0256-14XX | 4 | 10 | DN00208D | 24 | 0.25 | 8 | |
| | 0156-2CXX-BK | 19 | 8 | DN00508D | 20 | 0.5 | 8 | | 0256-21XX | 3 | 10 | | | | | |
| | 0156-2DXX-BK | 19 | 8 | DN00308D | 22 | 0.34 | 8 | | 0256-22XX | 3 | 10 | | | | | |
| 28~16 | 0191-01XX | 89 | 9 | DN00710D | 18 | 0.75 | 10 | 28~16 | 0256-23XX | 3 | 10 | | | | | |
| | 0191-01XXC | 89 | 9 | DN00510D | 20 | 0.5 | 10 | | 0256-24XX | 4 | 10 | | | | | |
| | 0191-02XX | 89 | 9 | DN00308D | 22 | 0.34 | 8 | | 0256-31XX | 3 | 10 | | | | | |
| | 0191-02XXC | 89 | 9 | DN00208D | 24 | 0.25 | 8 | | 0256-32XX | 3 | 10 | | | | | |
| 28~16 | 0218-21XX | 4 | 9~10 | DN00710D | 18 | 0.75 | 10 | 28~16 | 0256-33XX | 3 | 10 | | | | | |
| | 0218-21XXM0256-11 | 96 | 9~10 | DN00510D | 20 | 0.5 | 10 | | 0256-34XX | 4 | 10 | | | | | |
| | 0218-21XXM0256-21 | 96 | 9~10 | DN00308D | 22 | 0.34 | 8 | | 0256-61XX | 5 | 10 | | | | | |
| | 0218-21XXM0256-31 | 96 | 9~10 | DN00208D | 24 | 0.25 | 8 | | 0256-62XX | 5 | 10 | | | | | |
| | 0218-23XX | 4 | 9~10 | | | | | | 0256-63XX | 5 | 10 | | | | | |
| | 0218-23XXM0256-13 | 96 | 9~10 | | | | | | 0256-64XX | 6 | 10 | | | | | |
| | 0218-23XXM0256-23 | 96 | 9~10 | | | | | | 0256-71XX | 5 | 10 | DN00710D | 18 | 0.75 | 10 | |
| | 0218-23XXM0256-33 | 96 | 9~10 | | | | | | 0256-72XX | 5 | 10 | DN00510D | 20 | 0.5 | 10 | |
| | 0218-25XX | 4 | 9~10 | | | | | | 0256-73XX | 5 | 10 | DN00308D | 22 | 0.34 | 8 | |
| | 0218-25XXM0256-11 | 96 | 9~10 | | | | | | 0256-74XX | 6 | 10 | DN00208D | 24 | 0.25 | 8 | |
| | 0218-25XXM0256-21 | 96 | 9~10 | | | | | | 0256-81XX | 5 | 10 | | | | | |
| | 0218-25XXM0256-31 | 96 | 9~10 | | | | | | 0256-82XX | 5 | 10 | | | | | |
| | 0218-27XX | 4 | 9~10 | | | | | | 0256-83XX | 5 | 10 | | | | | |
| | 0218-27XXM0256-13 | 96 | 9~10 | | | | | | 0256-84XX | 6 | 10 | | | | | |
| | 0218-27XXM0256-23 | 96 | 9~10 | | | | | | 28~16 | ESC350V-XXP | 42 | 10~11 | DN00710D | 18 | 0.75 | 10 |
| | 0218-27XXM0256-33 | 96 | 9~10 | | | | ESC350VK-XXP | | | 42 | 10~11 | DN00508D | 20 | 0.5 | 8 | |
| | 0218-2GXX | 4 | 9~10 | | | | ESC350VM-XXP | | | 42 | 10~11 | DN00308D | 22 | 0.34 | 8 | |
| | 0218-2GXXM0256-13 | 95 | 9~10 | | | | | | 28~16 | | | | DN00208D | 24 | 0.25 | 8 |
| 0218-2GXXM0256-33 | 95 | 9~10 | | | | | ESC381V-XXP | 42 | | 10~11 | DN01010D | / | 1 | 10 | | |
| | | | | | | | ESC381VK-XXP | 42 | | 10~11 | DN00710D | 18 | 0.75 | 10 | | |
| | | | | | | | | ESC381VM-XXP | 42 | 10~11 | DN00508D | 20 | 0.5 | 8 | | |
| | | | | | | | | | | | DN00308D | 22 | 0.34 | 8 | | |
| | | | | | | | | | | | DN00208D | 24 | 0.25 | 8 | | |

Wire Ferrules

PID connection PCB connectors



| Wire range | Terminal blocks | Page | Strip length | Applicable Ferrules | | | | Wire range | Terminal blocks | Page | Strip length | Applicable Ferrules | | | | |
|------------|-----------------|------|--------------|---------------------|----------|-----------------|------|-------------|-----------------|-------------|--------------|---------------------|----------|-----------------|------|----|
| | | | | Ferrule P/N | AWG | mm ² | L1 | | | | | Ferrule P/N | AWG | mm ² | L1 | |
| AWG | | | mm | | | | AWG | | | mm | | | | | | |
| 28~16 | ESC508V-XXP | 44 | 10~11 | DN01010D | / | 1 | 10 | 26~12 | 0161-01XX | 93 | 13 | DN02512D | 14 | 2.5 | 12 | |
| | ESC508VM-XXP | 44 | 10~11 | DN00708D | 18 | 0.75 | 8 | | 0161-02XX | 93 | 13 | DN01510D | 16 | 1.5 | 10 | |
| | | | | | DN00508D | 20 | 0.5 | | 8 | 0161-03XX | 93 | 13 | DN01010D | / | 1 | 10 |
| | | | | | DN00308D | 22 | 0.34 | | 8 | 0161-04XX | 93 | 13 | DN00710D | 18 | 0.75 | 10 |
| | | | | | DN00208D | 24 | 0.25 | | 8 | | | | DN00510D | 20 | 0.5 | 10 |
| 28~14 | 0229-A5XXY | 98 | 9 | DN01508D | 16 | 1.5 | 8 | 26~12 | 0227-01XX | 27 | 12~13 | DN02512D | 14 | 2.5 | 12 | |
| | 0229-A9XXY | 98 | 9 | DN01008D | / | 1 | 8 | | 0227-02XX | 27 | 12~13 | DN01510D | 16 | 1.5 | 10 | |
| | 0229-F4XX | 98 | 9 | DN00708D | 18 | 0.75 | 8 | | 0227-03XX | 27 | 12~13 | DN01010D | / | 1 | 10 | |
| | 0229-F5XX | 98 | 9 | DN00508D | 20 | 0.5 | 8 | | 0227-04XX | 27 | 12~13 | DN00710D | 18 | 0.75 | 10 | |
| | 0229-F5XXY | 98 | 9 | DN00308D | 22 | 0.34 | 8 | | 0227-06XX | 28 | 12~13 | DN00510D | 20 | 0.5 | 10 | |
| | 0229-F9XX | 98 | 9 | DN00208D | 24 | 0.25 | 8 | | 0227-07XX | 28 | 12~13 | DN00308D | 22 | 0.34 | 8 | |
| | 0229-F9XXY | 98 | 9 | | | | | | 0227-08XX | 28 | 12~13 | DN00208D | 24 | 0.25 | 8 | |
| | 0229-FAXX | 98 | 9 | | | | | | 0227-09XX | 28 | 12~13 | | | | | |
| | 0229-M5XXY | 98 | 9 | | | | | | 0257-11XX | 7 | 10~12 | DN02512D | 14 | 2.5 | 12 | |
| | 0229-M9XXY | 98 | 9 | | | | | | 0257-12XX | 7 | 10~12 | DN01512D | 16 | 1.5 | 12 | |
| 28~12 | 0234-20XX-MW | 40 | 10 | DN01510D | 16 | 1.5 | 10 | 26~12 | 0257-14XX | 7 | 10~12 | DN01012D | / | 1 | 12 | |
| | 0234-30XX-MW | 40 | 10 | DN01010D | / | 1 | 10 | | 0257-21XX | 7 | 10~12 | DN00712D | 18 | 0.75 | 12 | |
| | | | | | DN00710D | 18 | 0.75 | | 10 | 0257-22XX | 7 | 10~12 | DN00508D | 20 | 0.5 | 10 |
| | | | | | DN00510D | 20 | 0.5 | | 10 | 0257-24XX | 7 | 10~12 | DN00308D | 22 | 0.34 | 8 |
| | | | | | DN00308D | 22 | 0.34 | | 8 | 0257-31XX | 7 | 10~12 | DN00208D | 24 | 0.25 | 8 |
| 28~12 | 0254-20XX | 40 | 14 | DN00510D | 20 | 0.5 | 10 | 0257-32XX | 7 | 10~12 | | | | | | |
| | 0254-30XX | 40 | 14 | DN01012D | / | 1 | 12 | 0257-34XX | 7 | 10~12 | | | | | | |
| | | | | | DN01512D | 16 | 1.5 | 12 | 0257-61XX | 8 | 10~12 | | | | | |
| | | | | | DN00712D | 18 | 0.75 | 12 | 0257-62XX | 8 | 10~12 | | | | | |
| 26~18 | 0157-1BXX | 18 | 8 | DN00308D | 22 | 0.34 | 8 | 26~12 | 0257-64XX | 8 | 10~12 | | | | | |
| | | | | | DN00208D | 24 | 0.25 | | 8 | 0257-71XX | 8 | 10~12 | DN02512D | 14 | 2.5 | 12 |
| 26~18 | 0288-1AXX | 15 | 7~8 | DN00308D | 22 | 0.34 | 8 | | 0257-72XX | 8 | 10~12 | DN01512D | 16 | 1.5 | 12 | |
| | 0288-1DXX | 16 | 7~8 | DN00508D | 20 | 0.5 | 8 | | 0257-74XX | 8 | 10~12 | DN01012D | 18 | 1 | 12 | |
| | 0288-2AXX | 95 | 7~8 | | | | | | 0257-81XX | 8 | 10~12 | DN00712D | 18 | 0.75 | 12 | |
| | 0288-AAXX | 95 | 7~8 | | | | | | 0257-82XX | 8 | 10~12 | DN00510D | 20 | 0.5 | 10 | |
| | 0288-ADXX | 95 | 7~8 | | | | | | 0257-84XX | 8 | 10~12 | DN00308D | 22 | 0.34 | 8 | |
| 26~16 | 0156-9BXX | 19 | 11~12 | DN01010D | / | 1 | 10 | | 26~12 | 2ESDS-XXP | 44 | 11~12 | DN02510D | 14 | 2.5 | 10 |
| | 0156-9CXX | 19 | 11~12 | DN00710D | 18 | 0.75 | 10 | | | 2ESDSM-XXP | 44 | 11~12 | DN01510D | 16 | 1.5 | 10 |
| | 0156-9AXX | 20 | 11~12 | DN00510D | 20 | 0.5 | 10 | | | 2ESDSR-XXP | 44 | 11~12 | DN01010D | / | 1 | 10 |
| | 0156-9DXX | 20 | 11~12 | DN00308D | 22 | 0.34 | 8 | 2ESDSRM-XXP | | 44 | 11~12 | DN00710D | 18 | 0.75 | 10 | |
| 26~12 | 0121-01XX | 45 | 12 | DN02512D | 14 | 2.5 | 12 | | | | DN00510D | 20 | 0.5 | 10 | | |
| | | | | | DN01512D | 16 | 1.5 | 12 | | | | DN00308D | 22 | 0.34 | 8 | |
| | | | | | DN01010D | / | 1 | 10 | | | | DN00208D | 24 | 0.25 | 8 | |
| | | | | | DN00710D | 18 | 0.75 | 10 | 26~12 | 2ESDSV-XXP | 45 | 13 | DN02512D | 14 | 2.5 | 12 |
| | | | | | DN00510D | 20 | 0.5 | 10 | | 2ESDSVK-XXP | 45 | 13 | DN01510D | 16 | 1.5 | 10 |
| | | | | | DN00308D | 22 | 0.34 | 8 | | 2ESDSVM-XXP | 45 | 13 | DN01010D | / | 1 | 10 |
| | | | | DN00208D | 24 | 0.25 | 8 | | | | | DN00710D | 18 | 0.75 | 10 | |
| | | | | | | | | | | | DN00510D | 20 | 0.5 | 10 | | |

PID connection PCB connectors



| Wire range | Terminal blocks | Page | Strip length | Applicable Ferrules | | | | Wire range | Terminal blocks | Page | Strip length | Applicable Ferrules | | | | |
|------------|-----------------|------|--------------|---------------------|----------|-----------------|-----------|------------|-----------------|------------|--------------|---------------------|----------|-----------------|------|----|
| | | | | Ferrule P/N | AWG | mm ² | L1 | | | | | Ferrule P/N | AWG | mm ² | L1 | |
| AWG | | | mm | | | | AWG | | | mm | | | | | | |
| 26~12 | 2ESR-XXP | 36 | 11 | DN02512D | 14 | 2.5 | 12 | 24~16 | 0184-11XX | 125 | 9 | DN00710D | 18 | 0.75 | 10 | |
| | 2ESRK-XXP | 36 | 11 | DN01512D | 16 | 1.5 | 12 | | 0184-13XX | 125 | 9 | DN00510D | 20 | 0.5 | 10 | |
| | 2ESRM-XXP | 36 | 11 | DN01012D | / | 1 | 12 | | 0184-15XX | 125 | 9 | DN00308D | 22 | 0.34 | 8 | |
| | 2ESV-XXP | 36 | 11 | DN00712D | 18 | 0.75 | 12 | | 0184-16XX | 125 | 9 | DN00208D | 24 | 0.25 | 8 | |
| | 2ESVK-XXP | 36 | 11 | DN00510D | 20 | 0.5 | 10 | | 24~16 | 0184-31XX | 126 | 8~9 | DN01010D | / | 1 | 10 |
| | 2ESVM-XXP | 36 | 11 | | | | | | | 0184-33XX | 126 | 8~9 | DN00710D | 18 | 0.75 | 10 |
| | | | | | | | | | | 0184-35XX | 126 | 8~9 | DN00510D | 20 | 0.5 | 10 |
| 26~12 | 3ESDS-XXP | 46 | 11~12 | DN02510D | 14 | 2.5 | 10 | 24~16 | 0184-36XX | 126 | 8~9 | DN00308D | 22 | 0.34 | 8 | |
| | 3ESDSM-XXP | 46 | 11~12 | DN01510D | 16 | 1.5 | 10 | | | | | DN00208D | 24 | 0.25 | 8 | |
| | 3ESDSR-XXP | 46 | 11~12 | DN01010D | / | 1 | 10 | | 24~16 | 0191-04XX | 89 | 8 | DN01010D | / | 1 | 10 |
| | 3ESDSRH-XXP | 46 | 9 | DN00710D | 18 | 0.75 | 10 | 0191-04XXC | | 89 | 8 | DN00710D | 18 | 0.75 | 10 | |
| | 3ESDSRHM-XXP | 46 | 9 | DN00510D | 20 | 0.5 | 10 | | | | | DN00508D | 20 | 0.5 | 8 | |
| | 3ESDSRM-XXP | 46 | 11~12 | DN00308D | 22 | 0.34 | 8 | | | | | DN00308D | 22 | 0.34 | 8 | |
| | | | | | DN00208D | 24 | 0.25 | 8 | | | | DN00208D | 24 | 0.25 | 8 | |
| 26~12 | 5ESDS-XXP | 43 | 11~12 | DN02510D | 14 | 2.5 | 10 | 24~16 | 0191-06XX | 88 | 9 | DN00710D | 18 | 0.75 | 10 | |
| | 5ESDSM-XXP | 43 | 11~12 | DN01510D | 16 | 1.5 | 10 | | 0191-06XXC | 88 | 9 | DN00510D | 20 | 0.5 | 10 | |
| | 5ESDSR-XXP | 43 | 10~11 | DN01010D | / | 1 | 10 | | | | | DN00308D | 22 | 0.34 | 8 | |
| | 5ESDSRH-XXP | 43 | 10~11 | DN00710D | 18 | 0.75 | 10 | | | | | DN00208D | 24 | 0.25 | 8 | |
| | | | | | DN00510D | 20 | 0.5 | 10 | | | | | | | | |
| 26~12 | 5ESR-XXP | 34 | 11 | DN02512D | 14 | 2.5 | 12 | 24~16 | 0221-20XX | 31 | 10 | DN01010D | / | 1 | 10 | |
| | 5ESRK-XXP | 34 | 11 | DN01510D | 16 | 1.5 | 10 | | 0221-21XX | 32 | 10 | DN00710D | 18 | 0.75 | 10 | |
| | 5ESRM-XXP | 34 | 11 | DN01010D | / | 1 | 10 | | 0221-24XX | 32 | 10 | DN00510D | 20 | 0.5 | 10 | |
| | 5ESV-XXP | 34 | 11 | DN00710D | 18 | 0.75 | 10 | | 0221-28XX | 32 | 10 | DN00308D | 22 | 0.34 | 8 | |
| | 5ESVK-XXP | 34 | 11 | DN00510D | 20 | 0.5 | 10 | 0221-29XX | 32 | 10 | DN00208D | 24 | 0.25 | 8 | | |
| | 5ESVM-XXP | 34 | 11 | DN00308D | 22 | 0.34 | 8 | 24~16 | 0221-42XX | 33 | 10 | DN01010D | / | 1 | 10 | |
| | | | | | DN00208D | 24 | 0.25 | | 8 | 0221-43XX | 33 | 10 | DN00710D | 18 | 0.75 | 10 |
| | | | | | | | 0221-44XX | | 33 | 10 | DN00510D | 20 | 0.5 | 10 | | |
| 24~16 | 0159-01XX | 21 | 10 | DN01010D | / | 1 | 10 | 24~16 | 0226-01XX | 25 | 9 | DN01010D | / | 1 | 10 | |
| | 0159-03XX | 21 | 10 | DN00710D | 18 | 0.75 | 10 | | 0226-02XX | 25 | 9 | DN00710D | 18 | 0.75 | 10 | |
| | 0159-04XX | 21 | 10 | DN00510D | 20 | 0.5 | 10 | | 0226-03XX | 25 | 9 | DN00510D | 20 | 0.5 | 10 | |
| | 0159-05XX | 22 | 10 | DN00308D | 22 | 0.34 | 8 | | 0226-06XX | 26 | 9 | DN00308D | 22 | 0.34 | 8 | |
| | 0159-07XX | 22 | 10 | DN00208D | 24 | 0.25 | 8 | | 0226-07XX | 26 | 9 | DN00208D | 24 | 0.25 | 8 | |
| | 0159-08XX | 22 | 10 | | | | | | 0226-08XX | 26 | 9 | | | | | |
| | | | | | | | | | | | | | | | | |
| 24~16 | 0181-A1XX | 92 | 10 | DN01010D | / | 1 | 10 | 24~12 | 0150-20XX | 37 | 12 | DN01512D | 16 | 1.5 | 12 | |
| | 0181-A3XX | 92 | 10 | DN00710D | 18 | 0.75 | 10 | | 0150-30XX | 38 | 12 | DN01010D | / | 1 | 10 | |
| | | | | | DN00510D | 20 | 0.5 | | | | | 10 | DN00710D | 18 | 0.75 | 10 |
| | | | | | DN00308D | 22 | 0.34 | | | | | 8 | DN00508D | 20 | 0.5 | 8 |
| | | | | | DN00208D | 24 | 0.25 | | | | | 8 | DN00308D | 22 | 0.34 | 8 |
| 24~16 | 0184-01XX | 126 | 9 | DN01508D | 16 | 1.5 | 8 | 24~12 | 2ESDB-XXP | 94 | 12 | DN02512D | 14 | 2.5 | 12 | |
| | | | | | DN01008D | / | 1 | | 8 | 2ESDBA-XXP | 94 | 12 | DN01512D | 16 | 1.5 | 12 |
| | </ | | | | | | | | | | | | | | | |

Wire Ferrules

PID connection PCB connectors



| Wire range | Terminal blocks | Page | Strip length | Applicable Ferrules | | | | Wire range | Terminal blocks | Page | Strip length | Applicable Ferrules | | | | | | |
|------------|-----------------|------|--------------|---------------------|-----|-----------------|----------|------------|-----------------|------|--------------|---------------------|------|-----------------|----------|----|------|----|
| AWG | | | mm | Ferrule P/N | AWG | mm ² | L1 | AWG | | | mm | Ferrule P/N | AWG | mm ² | L1 | | | |
| 24~12 | 2ESS-XXP | 35 | 11 | DN02512D | 14 | 2.5 | 12 | 20~4 | 0187-A4XX | 94 | 18~20 | DN10018D | 8 | 10 | 18 | | | |
| | 2ESSM-XXP | 35 | 11 | DN01510D | 16 | 1.5 | 10 | | | | | DN06018D | 10 | 6 | 18 | | | |
| | | | | DN01010D | / | 1 | 10 | | | | | DN04018D | 12 | 4 | 18 | | | |
| | | | | DN00710D | 18 | 0.75 | 10 | | | | | DN02518D | 14 | 2.5 | 18 | | | |
| | | | | DN00510D | 20 | 0.5 | 10 | | | | | DN01518D | 16 | 1.5 | 18 | | | |
| | | | | DN00308D | 22 | 0.34 | 8 | | | | | DN01012D | / | 1 | 12 | | | |
| | | | | DN00208D | 24 | 0.25 | 8 | | | | | DN00712D | 18 | 0.75 | 12 | | | |
| 20~12 | 0150-40XX | 38 | 13 | DN01512D | 16 | 1.5 | 12 | 20~8 | 0258-61XX | 10 | 12~14 | DN06012D | 10 | 6 | 12 | | | |
| | | | | DN01010D | / | 1 | 10 | | | | | DN04012D | 12 | 4 | 12 | | | |
| | | | | DN00710D | 18 | 0.75 | 10 | | | | | DN02512D | 14 | 2.5 | 12 | | | |
| | | | | DN00508D | 20 | 0.5 | 8 | | | | | DN01512D | 16 | 1.5 | 12 | | | |
| | | | | DN00308D | 22 | 0.34 | 8 | | | | | DN01012D | / | 1 | 12 | | | |
| | | | | | | | DN00208D | | | | | 24 | 0.25 | 8 | DN00712D | 18 | 0.75 | 12 |
| | | | | | | | | | | | | | | | DN00510D | 20 | 0.5 | 10 |
| | | | | | | | DN00308D | 22 | 0.34 | 8 | | | | | | | | |
| | | | | | | | DN00208D | 24 | 0.25 | 8 | | | | | | | | |

Screw connection PCB connectors



| Wire range | Terminal blocks | Page | Strip length | Applicable Ferrules | | | | Wire range | Terminal blocks | Page | Strip length | Applicable Ferrules | | | |
|------------|-----------------|------|--------------|---------------------|-----|-----------------|----|-------------|-----------------|------|--------------|---------------------|------|-----------------|----|
| AWG | | | mm | Ferrule P/N | AWG | mm ² | L1 | AWG | | | mm | Ferrule P/N | AWG | mm ² | L1 |
| 30~14 | EC508V-XXP | 52 | 6~7 | DN01006D | / | 1 | 6 | 30~12 | 2ESDA-XXP | 55 | 7~8 | DN02508D | 14 | 2.5 | 8 |
| | EC508VM-XXP | 52 | 6~7 | DN00706D | 18 | 0.75 | 6 | | 2ESDAM-XXP | 55 | 7~8 | DN01508D | 16 | 1.5 | 8 |
| | | | | DN00506D | 20 | 0.5 | 6 | | 2ESDL-XXP | 56 | 7~8 | DN01008D | / | 1 | 8 |
| | | | | DN00306D | 22 | 0.34 | 6 | | 2ESDP-XXP | 55 | 7~8 | DN00708D | 18 | 0.75 | 8 |
| | | | | DN00206D | 24 | 0.25 | 6 | | 2ESDPL-XXP | 56 | 7~8 | DN00508D | 20 | 0.5 | 8 |
| 30~14 | EC381MK-XXP | 122 | 7 | DN01006D | / | 1 | 6 | 2ESDPLM-XXP | 56 | 7~8 | DN00308D | 22 | 0.34 | 8 | |
| | EC381K-XXP | 122 | 7 | DN00706D | 18 | 0.75 | 6 | 2ESDPM-XXP | 55 | 7~8 | DN00208D | 24 | 0.25 | 8 | |
| | EC381V-XXP | 122 | 7 | DN00506D | 20 | 0.5 | 6 | 2ESDV-XXP | 55 | 6~7 | | | | | |
| | EC381VM-XXP | 122 | 7 | DN00306D | 22 | 0.34 | 6 | 2ESDVH-XXP | 54 | 6~7 | | | | | |
| 30~14 | EC381F-XXP | 50 | 8 | DN01008D | / | 1 | 8 | 2ESDVM-XXP | 55 | 6~7 | | | | | |
| | EC381FM-XXP | 50 | 8 | DN00708D | 18 | 0.75 | 8 | 2ESDVNM-XXP | 56 | 6~7 | | | | | |
| | | | | DN00508D | 20 | 0.5 | 8 | 2ESDVS-03P | 55 | 7~8 | | | | | |
| | | | | DN00308D | 22 | 0.34 | 8 | 2ESDVB-XXP | 92 | 7~8 | DN02510D | 14 | 2.5 | 10 | |
| 30~14 | EC350F-XXP | 50 | 9 | DN01008D | / | 1 | 8 | 2ESDVB-XXP | 92 | 7~8 | DN01510D | 16 | 1.5 | 10 | |
| | EC350FM-XXP | 50 | 9 | DN00708D | 18 | 0.75 | 8 | 2ESDVB-XXP | 92 | 7~8 | DN01010D | / | 1 | 10 | |
| | | | | DN00508D | 20 | 0.5 | 8 | | | | DN00710D | 18 | 0.75 | 10 | |
| | | | | DN00308D | 22 | 0.34 | 8 | | | | DN00510D | 20 | 0.5 | 10 | |
| | | | | DN00208D | 24 | 0.25 | 8 | | | | DN00308D | 22 | 0.34 | 8 | |

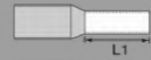
Screw connection PCB connectors



| Wire range | Terminal blocks | Page | Strip length | Applicable Ferrules | | | | Wire range | Terminal blocks | Page | Strip length | Applicable Ferrules | | | | | | | |
|------------|-----------------|------|--------------|---------------------|-----|-----------------|----|------------|-----------------|------|--------------|---------------------|-------|-----------------|----------|----------|------|------|---|
| AWG | | | mm | Ferrule P/N | AWG | mm ² | L1 | AWG | | | mm | Ferrule P/N | AWG | mm ² | L1 | | | | |
| 30~12 | 3ESDP-XXP | 57 | 7~8 | DN02508D | 14 | 2.5 | 8 | 30~8 | EC762H-XXP | 80 | 11 | DN04010D | 12 | 4 | 10 | | | | |
| | 3ESDPL-XXP | 57 | 7~8 | DN01508D | 16 | 1.5 | 8 | | | | | EC762HLNM-XXP | 63 | 10~11 | DN04010D | 12 | 4 | 10 | |
| | 3ESDPLM-XXP | 57 | 7~8 | DN01008D | / | 1 | 8 | | | | | EC762HV-XXP | 63 | 10~11 | DN02512D | 14 | 2.5 | 12 | |
| | 3ESDPM-XXP | 57 | 7~8 | DN00708D | 18 | 0.75 | 8 | | | | | EC762HVM-XXP | 63 | 10~11 | DN01510D | 16 | 1.5 | 10 | |
| | 3ESDV-XXP | 57 | 7~8 | DN00508D | 20 | 0.5 | 8 | | | | | EC762HVN-XXP | 63 | 10~11 | DN01010D | / | 1 | 10 | |
| | 3ESDVH-XXP | 58 | 7~8 | DN00308D | 22 | 0.34 | 8 | | | | | EC762HVN-XXP | 63 | 10~11 | DN00708D | 18 | 0.75 | 8 | |
| | 3ESDVHM-XXP | 58 | 7~8 | DN00208D | 24 | 0.25 | 8 | | | | | | | | DN00508D | 20 | 0.5 | 8 | |
| | 3ESDVM-XXP | 57 | 7~8 | | | | | | | | | | | | | DN00308D | 22 | 0.34 | 8 |
| | | | | | | | | | | | | | | | | DN00208D | 24 | 0.25 | 8 |
| 30~12 | 5ESDA-XXP | 53 | 7~8 | DN02508D | 14 | 2.5 | 8 | 30~8 | EC762H-XXP | 80 | 11 | DN06018D | 10 | 6 | 18 | | | | |
| | 5ESDAM-XXP | 53 | 7~8 | DN01508D | 16 | 1.5 | 8 | | | | | DN04012D | 12 | 4 | 12 | | | | |
| | 5ESDP-XXP | 53 | 7~8 | DN01008D | / | 1 | 8 | | | | | DN02512D | 14 | 2.5 | 12 | | | | |
| | 5ESDPL-XXP | 54 | 7~8 | DN00708D | 18 | 0.75 | 8 | | | | | DN01510D | 16 | 1.5 | 10 | | | | |
| | 5ESDPLM-XXP | 54 | 8 | DN00508D | 20 | 0.5 | 8 | | | | | DN01010D | / | 1 | 10 | | | | |
| | 5ESDPM-XXP | 53 | 8 | DN00308D | 22 | 0.34 | 8 | | | | | DN00710D | 18 | 0.75 | 10 | | | | |
| | 5ESDV-XXP | 53 | 6~7 | DN00208D | 24 | 0.25 | 8 | | | | | DN00510D | 20 | 0.5 | 10 | | | | |
| | 5ESDV-XXP | 53 | 6~7 | | | | | | | | | DN00308D | 22 | 0.34 | 8 | | | | |
| | 5ESDVM-XXP | 53 | 6~7 | | | | | | | | | DN00208D | 24 | 0.25 | 8 | | | | |
| 30~12 | 5ESDTS-XXP | 51 | 7~8 | DN02510D | 14 | 2.5 | 10 | 30~8 | ECSH762FS-XXP | 123 | 11 | DN04012D | 12 | 4 | 12 | | | | |
| | | | | DN01510D | 16 | 1.5 | 10 | | | | | ECSH762SS-XXP | 123 | 11 | DN02512D | 14 | 2.5 | 12 | |
| | | | | DN01008D | / | 1 | 8 | | | | | ECSH762V-XXP | 123 | 11 | DN01510D | 16 | 1.5 | 10 | |
| | | | | DN00708D | 18 | 0.75 | 8 | | | | | | | | DN01010D | / | 1 | 10 | |
| | | | | DN00508D | 20 | 0.5 | 8 | | | | | | | | DN00710D | 18 | 0.75 | 10 | |
| | | | | DN00308D | 22 | 0.34 | 8 | | | | | | | | DN00510D | 20 | 0.5 | 10 | |
| | | | | DN00208D | 24 | 0.25 | 8 | | | | | | | | DN00308D | 22 | 0.34 | 8 | |
| | | | | | | | | | | | | | | | | DN00208D | 24 | 0.25 | 8 |
| | | | | | | | | | | | | | | | | | | | |
| 30~12 | 7ESDP-XXP | 57 | 7~8 | DN02508D | 14 | 2.5 | 8 | 28~14 | CPC350-XXP | 126 | 6 | DN01006D | 18 | 1 | 6 | | | | |
| | 7ESDPL-XXP | 57 | 7~8 | DN01508D | 16 | 1.5 | 8 | | | | | DN00706D | 18/20 | 0.75 | 6 | | | | |
| | 7ESDPLM-XXP | 57 | 7~8 | DN01008D | / | 1 | 8 | | | | | DN00506D | 20 | 0.5 | 6 | | | | |
| | 7ESDPM-XXP | 57 | 7~8 | DN00708D | 18 | 0.75 | 8 | | | | | DN00306D | 22 | 0.34 | 6 | | | | |
| | 7ESDV-XXP | 57 | 7~8 | DN00508D | 20 | 0.5 | 8 | | | | | DN00206D | 24 | 0.25 | 6 | | | | |
| | 7ESDV-XXP | 57 | 7~8 | DN00308D | 22 | 0.34 | 8 | | | | | | | | | | | | |
| | 7ESDVM-XXP | 57 | 7~8 | DN00208D | 24 | 0.25 | 8 | | | | | | | | | | | | |
| 30~10 | EC762V-XXP | 63 | 10~11 | DN04012D | 12 | 4 | 12 | 28~14 | EC350R-XXP | 49 | 7 | DN01008D | / | 1 | 8 | | | | |
| | | | | DN02508D | 14 | 2.5 | 8 | | | | | EC350RL-XXP | 49 | 7 | DN00708D | 18 | 0.75 | 8 | |
| | | | | DN01508D | 16 | 1.5 | 8 | | | | | EC350RLM-XXP | 49 | 7 | DN00508D | 20 | 0.5 | 8 | |
| | | | | DN01008D | / | 1 | 8 | | | | | EC350RM-XXP | 49 | 7 | DN00308D | 22 | 0.34 | 8 | |
| | | | | DN00708D | 18 | 0.75 | 8 | | | | | EC350V-XXP | 49 | 7 | DN00206D | 24 | 0.25 | 6 | |
| | | | | DN00508D | 20 | 0.5 | 8 | | | | | EC350VM-XXP | 49 | 7 | | | | | |
| | | | | DN00308D | 22 | 0.34 | 8 | | | | | | | | | | | | |
| | | | | DN00208D | 24 | 0.25 | 8 | | | | | | | | | | | | |
| | | | | | | | | | | | | | | | | | | | |

Wire Ferrules

Screw connection PCB connectors



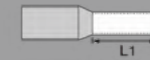
| Wire range | Terminal blocks | Page | Strip length | Applicable Ferrules | | | | Wire range | Terminal blocks | Page | Strip length | Applicable Ferrules | | | |
|------------|-----------------|------|--------------|---------------------|-----|-----------------|----------|------------|-----------------|------|--------------|---------------------|-----|-----------------|----|
| AWG | | | mm | Ferrule P/N | AWG | mm ² | L1 | AWG | | | mm | Ferrule P/N | AWG | mm ² | L1 |
| 28~14 | EC381L-XXP | 51 | 7 | DN01008D | / | 1 | 8 | 24~12 | 2ESH-XXP | 122 | 7 | DN02508D | 14 | 2.5 | 8 |
| | EC381LM-XXP | 51 | 7 | DN00708D | 18 | 0.75 | 8 | | 2ESHM-XXP | 122 | 7 | DN01508D | 16 | 1.5 | 8 |
| | EC381V-XXP | 49 | 7 | DN00508D | 20 | 0.5 | 8 | | DN01008D | / | 1 | 8 | | | |
| | EC381VK-XXP | 51 | 7 | DN00308D | 22 | 0.34 | 8 | | DN00708D | 18 | 0.75 | 8 | | | |
| | EC381VM-XXP | 49 | 7 | DN00206D | 24 | 0.25 | 6 | | DN00508D | 20 | 0.5 | 8 | | | |
| | EC381R-XXP | 49 | 7 | | | | | | DN00306D | 22 | 0.34 | 6 | | | |
| | EC381RL-XXP | 49 | 7 | | | | | | 5ESDF-XXP | 52 | 9~10 | DN02510D | 14 | 2.5 | 10 |
| | EC381RLM-XXP | 49 | 7 | | | | | | 5ESDFM-XXP | 52 | 9~10 | DN01510D | 16 | 1.5 | 10 |
| 28~14 | EC508F-XXP | 52 | 9 | DN01508D | 16 | 1.5 | 8 | 24~12 | 2ESDF-XXP | 53 | 10 | DN01010D | / | 1 | 10 |
| | EC508FM-XXP | 52 | 9 | DN01008D | / | 1 | 8 | | 2ESDFM-XXP | 53 | 10 | DN00710D | 18 | 0.75 | 10 |
| | | | | DN00708D | 18 | 0.75 | 8 | | | | | DN00510D | 20 | 0.5 | 10 |
| | | | | DN00508D | 20 | 0.5 | 8 | | | | | DN00308D | 22 | 0.34 | 8 |
| | | | | DN00308D | 22 | 0.34 | 8 | | | | | DN00208D | 24 | 0.25 | 8 |
| 28~12 | 3ESNP-XXP | 61 | 7~8 | DN02508D | 14 | 2.5 | 8 | 22~14 | ED130F-XXP | 88 | 6 | DN01006D | / | 1 | 6 |
| | 3ESNPL-XXP | 61 | 7~8 | DN01508D | 16 | 1.5 | 8 | | ED130T-XXP | 88 | 6 | DN00706D | 18 | 0.75 | 6 |
| | 3ESNPLM-XXP | 61 | 7~8 | DN01008D | / | 1 | 8 | | DN00506D | 20 | 0.5 | 6 | | | |
| | 3ESNPLS-XXP | 61 | 7~8 | DN00708D | 18 | 0.75 | 8 | | DN00306D | 22 | 0.34 | 6 | | | |
| | 3ESNPLSM-XXP | 61 | 7~8 | DN00508D | 20 | 0.5 | 8 | 20~10 | 0183-01XX | 64 | 9 | DN04010D | 12 | 4 | 10 |
| | 3ESNPM-XXP | 61 | 7~8 | DN00308D | 22 | 0.34 | 8 | | 0183-01XXTXX | 64 | 9 | DN02510D | 14 | 2.5 | 10 |
| | 3ESNPS-XXP | 61 | 7~8 | DN00208D | 24 | 0.25 | 8 | | DN01510D | 16 | 1.5 | 10 | | | |
| | 3ESNPSM-XXP | 61 | 7~8 | | | | | | DN01010D | / | 1 | 10 | | | |
| 5ESDG-XXP | 126 | 8 | | | | | DN00710D | 18 | 0.75 | 10 | | | | | |
| 5ESDT-XXP | 130 | 6~7 | | | | | DN00510D | 20 | 0.5 | 10 | | | | | |
| 28~10 | 3ESNPH-XXP | 62 | 7~8 | DN02508D | 14 | 2.5 | 8 | 20~6 | EC880HV-XXP | 64 | 11~10 | DN04012D | 12 | 4.0 | 12 |
| | 3ESNPHL-XXP | 62 | 7~8 | DN01508D | 16 | 1.5 | 8 | | EC880HVT-XXP | 64 | 11~10 | DN02512D | 14 | 2.5 | 12 |
| | 3ESNPHLM-XXP | 62 | 7~8 | DN01008D | / | 1 | 8 | | DN01512D | 16 | 1.5 | 12 | | | |
| | 3ESNPHM-XXP | 62 | 7~8 | DN00708D | 18 | 0.75 | 8 | | DN01012D | / | 1.0 | 12 | | | |
| | 3ESNVH-XXP | 62 | 7~8 | DN00508D | 20 | 0.5 | 8 | | DN00712D | 18 | 0.8 | 12 | | | |
| | 3ESNVHM-XXP | 62 | 7~8 | DN00308D | 22 | 0.34 | 8 | | DN00510D | 20 | 0.5 | 10 | | | |
| 26~12 | 0164-01XX | 90 | 7 | DN02508D | 14 | 2.5 | 8 | 20~2 | EC150VM-XXP | 66 | 19~20 | DN35025D | 2 | 35 | 25 |
| | 0164-01XX(T) | 90 | 7 | DN01508D | 16 | 1.5 | 8 | | DN25022D | 4 | 25 | 22 | | | |
| | 0164-02XX | 90 | 7 | DN01008D | / | 1 | 8 | | DN16018D | 6 | 16 | 18 | | | |
| | 0164-A1XX | 90 | 7 | DN00708D | 18 | 0.75 | 8 | | DN10018D | 8 | 10 | 18 | | | |
| | 0164-A1XX(T) | 90 | 7 | DN00508D | 20 | 0.5 | 8 | | DN06018D | 10 | 6 | 18 | | | |
| | 0164-A2XX | 90 | 7 | DN00308D | 22 | 0.34 | 8 | | DN04018D | 12 | 4 | 18 | | | |
| 24~14 | 0162-01XX | 90 | 7 | DN01006D | / | 1 | 6 | DN02518D | 14 | 2.5 | 18 | | | | |
| | 0162-A1XX | 90 | 7 | DN00706D | 18 | 0.75 | 6 | DN01518D | 16 | 1.5 | 18 | | | | |
| | | | | DN00506D | 20 | 0.5 | 6 | | | | | | | | |
| | | | | DN00306D | 22 | 0.34 | 6 | | | | | | | | |
| | | | | DN00206D | 24 | 0.25 | 6 | | | | | | | | |

Screw connection PCB connectors



| Wire range | Terminal blocks | Page | Strip length | Applicable Ferrules | | | | Wire range | Terminal blocks | Page | Strip length | Applicable Ferrules | | | |
|------------|-----------------|------|--------------|---------------------|----------|-----------------|-----|------------|-----------------|------|--------------|---------------------|-----|-----------------|----|
| AWG | | | mm | Ferrule P/N | AWG | mm ² | L1 | AWG | | | mm | Ferrule P/N | AWG | mm ² | L1 |
| 16~6 | EC116V-XXP | 65 | 14~15 | DN10018D | 8 | 10 | 18 | | | | | | | | |
| | EC116VM-XXP | 65 | 14~15 | DN06018D | 10 | 6 | 18 | | | | | | | | |
| | ECSH116K-XXP | 98 | 14~15 | DN04018D | 12 | 4 | 18 | | | | | | | | |
| | ECSH116M-XXP | 98 | 14~15 | DN02518D | 14 | 2.5 | 18 | | | | | | | | |
| | ECSH116MK-XXP | 98 | 14~15 | DN01518D | 16 | 1.5 | 18 | | | | | | | | |
| | ECSH116V-XXP | 98 | 14~15 | DN01012D | / | 1 | 12 | | | | | | | | |
| | ECSH116VM-XXP | 124 | 14~15 | DN00712D | 18 | 0.75 | 12 | | | | | | | | |
| | | | | | DN00510D | 20 | 0.5 | 10 | | | | | | | |

PID connection PCB terminal blocks



| Wire range | Terminal blocks | Page | Strip length | Applicable Ferrules | | | | Wire range | Terminal blocks | Page | Strip length | Applicable Ferrules | | | | | | |
|------------|-----------------|-------|--------------|---------------------|-------|-----------------|------------|--------------------------|-----------------|------|--------------|---------------------|-----|-----------------|----------|------|------|----|
| AWG | | | mm | Ferrule P/N | AWG | mm ² | L1 | AWG | | | mm | Ferrule P/N | AWG | mm ² | L1 | | | |
| 28~20 | 0136-10XX | 101 | 8 | DN00308D | 22 | 0.34 | 8 | 28~16 | 0275-11XXY5 | 11 | 9~10 | DN00710D | 18 | 0.75 | 10 | | | |
| | 0136-11XX | 101 | 8 | DN00208D | 24 | 0.25 | 8 | | | | | DN00510D | 20 | 0.5 | 10 | | | |
| 28~16 | 0136-20XX | 102 | 9 | DN00510D | 20 | 0.5 | 10 | | | | | DN00308D | 22 | 0.34 | 8 | | | |
| | 0136-21XX | 102 | 9 | DN00308D | 22 | 0.34 | 8 | | | | | DN00208D | 24 | 0.25 | 8 | | | |
| | 0136-22XX | 102 | 9 | DN00208D | 24 | 0.25 | 8 | 28~16 | 0275-11XX | 11 | 10~11 | DN01010D | / | 1 | 10 | | | |
| | 0136-23XX | 102 | 9 | | | | | | | | | 0290-11XX | 11 | 9~10 | DN00710D | 18 | 0.75 | 10 |
| 28~16 | 0138-50XX | 102 | 8~9 | DN00710D | 18 | 0.75 | 10 | | | | | DN00508D | 20 | 0.5 | 8 | | | |
| | 0138-50XXL | 102 | 8~9 | DN00508D | 20 | 0.5 | 8 | | | | | DN00308D | 22 | 0.34 | 8 | | | |
| | 0138-50XXSMDWR | 101 | 8~9 | DN00308D | 22 | 0.34 | 8 | DN00208D | 24 | 0.25 | 8 | | | | | | | |
| | 0138-51XX | 102 | 8~9 | DN00208D | 24 | 0.25 | 8 | 28~14 | 0138-42XXL20 | 103 | 9 | DN01010D | / | 1 | 10 | | | |
| 0138-51XXL | 102 | 8~9 | | | | | 0138-60XX | | | | | 106 | 9 | DN00710D | 18 | 0.75 | 10 | |
| 0151-01XX | 103 | 10~11 | DN01010D | / | 1 | 10 | 0138-60XXL | | | | | 106 | 9 | DN00510D | 20 | 0.5 | 10 | |
| 0151-01XXL | 103 | 10~11 | DN00710D | 18 | 0.75 | 10 | 0138-61XX | | | | | 106 | 9 | DN00308D | 22 | 0.34 | 8 | |
| 28~16 | 0151-02XX | 103 | 10~11 | DN00508D | 20 | 0.5 | 8 | 26~18 | 0188-01XXL | 100 | 8 | DN00208D | 24 | 0.25 | 8 | | | |
| | 0151-02XXL | 103 | 10~11 | DN00308D | 22 | 0.34 | 8 | | | | | 0188-02XXL | 100 | 8 | DN00308D | 22 | 0.34 | 8 |
| | | | | DN00208D | 24 | 0.25 | 8 | | | | | 0188-01XXSMDWR | 100 | 8 | DN00208D | 24 | 0.25 | 8 |
| 28~16 | 0152-01XX | 104 | 8~9 | DN01010D | 18 | 1 | 10 | 26~16(Sol) 24~20(Str) | 0137-40XX | 102 | 8~9 | DN00710D | 18 | 0.75 | 10 | | | |
| | 0152-02XX | 104 | 8~9 | DN00710D | 18/20 | 0.75 | 10 | | | | | 0137-41XX | 102 | 8~9 | DN00508D | 20 | 0.5 | 8 |
| | 0152-53XX | 106 | 8~9 | DN00510D | 20 | 0.5 | 10 | | | | | DN00308D | 22 | 0.34 | 8 | | | |
| 28~16 | 0188-12XXSMDWR | 104 | 8~9 | DN01008D | / | 1 | 8 | 26~16 | 0185-12XX | 103 | 9 | DN00710D | 18 | 0.75 | 10 | | | |
| | | | | DN00708D | 18 | 0.75 | 8 | | | | | 0185-13XX | 103 | 9 | DN00510D | 20 | 0.5 | 10 |
| | | | | DN00508D | 20 | 0.5 | 8 | | | | | DN00308D | 22 | 0.34 | 8 | | | |
| | | | | DN00308D | 22 | 0.34 | 8 | | | | | DN00208D | 24 | 0.25 | 8 | | | |
| | | | | DN00208D | 24 | 0.25 | 8 | | | | | | | | | | | |
| 28~16 | 0188-12XXSMDWR | 104 | 8~9 | DN01008D | / | 1 | 8 | 28~16 | | | | DN00710D | 18 | 0.75 | 10 | | | |
| | | | | DN00708D | 18 | 0.75 | 8 | | | | | DN00508D | 20 | 0.5 | 8 | | | |
| | | | | DN00508D | 20 | 0.5 | 8 | | | | | DN00308D | 22 | 0.34 | 8 | | | |
| | | | | DN00308D | 22 | 0.34 | 8 | | | | | DN00208D | 24 | 0.25 | 8 | | | |
| | | | | DN00208D | 24 | 0.25 | 8 | | | | | | | | | | | |

Wire Ferrules

PID connection PCB terminal blocks



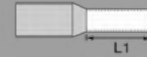
| Wire range AWG | Terminal blocks | Page | Strip length mm | Applicable Ferrules | | | | Wire range AWG | Terminal blocks | Page | Strip length mm | Applicable Ferrules | | | | |
|-------------------|-----------------|------|--------------------|---------------------|-----|-----------------|----|-------------------|-----------------|------|--------------------|---------------------|----------|-----------------|------|---|
| | | | | Ferrule P/N | AWG | mm ² | L1 | | | | | Ferrule P/N | AWG | mm ² | L1 | |
| 26~16 | 0137-11XX | 104 | 10 | DN01010D | / | 1 | 10 | 24~12 | 0275-21XX | 11 | 12 | DN02512D | 14 | 2.5 | 12 | |
| | 0141-01XX | 104 | 10 | DN00710D | 18 | 0.75 | 10 | | 0290-21XX | 11 | 12 | DN01512D | 16 | 1.5 | 12 | |
| | 0141-21XX | 106 | 10 | DN00508D | 20 | 0.5 | 8 | | | | | DN01010D | / | 1 | 10 | |
| | 0141-22XX | 104 | 10 | DN00308D | 22 | 0.34 | 8 | | | | | DN00710D | 18 | 0.75 | 10 | |
| | 0141-24XX | 106 | 10 | DN00208D | 24 | 0.25 | 8 | | | | | DN00510D | 20 | 0.5 | 10 | |
| | 0185-31XX | 91 | 9 | | | | | | | | | | DN00308D | 22 | 0.34 | 8 |
| | 0185-32XX | 91 | 9 | | | | | | | | | | DN00208D | 24 | 0.25 | 8 |
| 26~16 | 0177-31XX | 107 | 10 | DN00710D | 18 | 0.75 | 10 | 24~12 | 0276-21XX | 11 | 10~12 | DN04010D | 14 | 2.5 | 10 | |
| | 0177-33XX | 107 | 10 | DN00510D | 20 | 0.5 | 10 | | | | | DN02510D | 16 | 1.5 | 10 | |
| | | | | DN00308D | 22 | 0.34 | 8 | | | | | DN01510D | / | 1 | 10 | |
| | | | | DN00208D | 24 | 0.25 | 8 | | | | | DN00710D | 18 | 0.75 | 10 | |
| 26~14 | 0138-70XX | 105 | 11 | DN01012D | / | 1 | 12 | 24~10 | 0177-76XX | 108 | 14 | DN04012D | 12 | 4 | 12 | |
| | 0138-76XX | 105 | 11 | DN00712D | 18 | 0.75 | 12 | | 0177-78XX | 108 | 14 | DN02512D | 14 | 2.5 | 12 | |
| | | | | DN00510D | 20 | 0.5 | 10 | | | | | DN01510D | 16 | 1.5 | 10 | |
| | | | | DN00308D | 22 | 0.34 | 8 | | | | | DN01010D | / | 1 | 10 | |
| 26~12 | 0177-51XX | 108 | 10 | DN01510D | 16 | 1.5 | 10 | 24~8 | | | | DN00708D | 18 | 0.75 | 8 | |
| | 0177-53XX | 108 | 10 | DN01010D | / | 1 | 10 | | | | | DN00508D | 20 | 0.5 | 8 | |
| | | | | DN00710D | 18 | 0.75 | 10 | | | | | DN00308D | 22 | 0.34 | 8 | |
| | | | | DN00510D | 20 | 0.5 | 10 | | | | | DN00208D | 24 | 0.25 | 8 | |
| | | | | DN00308D | 22 | 0.34 | 8 | | | | | | | | | |
| | | | | DN00208D | 24 | 0.25 | 8 | | | | | | | | | |
| 24~18 | 0137-41XXM | 103 | 7~8 | DN00508D | 20 | 0.5 | 8 | 24~8 | 0177-81XX | 107 | 15 | DN06018D | 10 | 6 | 18 | |
| | | | | DN00308D | 22 | 0.34 | 8 | | 0177-83XX | 107 | 15 | DN04012D | 12 | 4 | 12 | |
| | | | | DN00208D | 24 | 0.25 | 8 | | 0177-86XX | 107 | 16 | DN02512D | 14 | 2.5 | 12 | |
| 24~18 | 0191-05XX | 89 | 7 | DN00706D | 18 | 0.75 | 6 | | 0177-88XX | 107 | 16 | DN01512D | 16 | 1.5 | 12 | |
| | | | | DN00506D | 20 | 0.5 | 6 | | | | DN01010D | / | 1 | 10 | | |
| | | | | DN00306D | 22 | 0.34 | 6 | | | | DN00710D | 18 | 0.75 | 10 | | |
| | | | | DN00206D | 24 | 0.25 | 6 | | | | DN00510D | 20 | 0.5 | 10 | | |
| 24~14 | 0162-06XX | 90 | 11 | DN01510D | 16 | 1.5 | 10 | 24~8 | 0275-31XX | 12 | 14~16 | DN06012D | 10 | 6 | 12 | |
| | 0162-A6XX | 90 | 11 | DN01010D | / | 1 | 10 | | 0275-32XX | 12 | 14~16 | DN04012D | 12 | 4 | 12 | |
| | | | | DN00710D | 18 | 0.75 | 10 | | 0290-31XX | 12 | 14 | DN02512D | 14 | 2.5 | 12 | |
| 24~12 | 0153-01XX | 105 | 14 | DN02512D | 14 | 2.5 | 12 | 24~8 | 0290-32XX | 12 | 14 | DN01512D | 16 | 1.5 | 12 | |
| | 0153-02XX | 105 | 14 | DN01512D | 16 | 1.5 | 12 | | | | | DN01012D | / | 1 | 12 | |
| | 0153-41XX | 106 | 14 | DN01012D | / | 1 | 12 | | | | | DN00712D | 18 | 0.75 | 12 | |
| | 0153-91XX | 105 | 14 | DN00712D | 18 | 0.75 | 12 | | | | | DN00510D | 20 | 0.5 | 10 | |
| | | | | DN00510D | 20 | 0.5 | 10 | | | | | DN00308D | 22 | 0.34 | 8 | |
| | | | | DN00308D | 22 | 0.34 | 8 | | | | | DN00208D | 24 | 0.25 | 8 | |

PID connection PCB terminal blocks



| Wire range AWG | Terminal blocks | Page | Strip length mm | Applicable Ferrules | | | | Wire range AWG | Terminal blocks | Page | Strip length mm | Applicable Ferrules | | | | | | |
|-------------------|-----------------|------|--------------------|---------------------|-----|-----------------|----|-------------------|-----------------|------|--------------------|---------------------|-----|-----------------|----------|---|----|----|
| | | | | Ferrule P/N | AWG | mm ² | L1 | | | | | Ferrule P/N | AWG | mm ² | L1 | | | |
| 22~14 | 142R-XXP | 105 | 10 | DN01012D | / | 1 | 12 | 14~2 | 0177-B3XX | 108 | 23~25 | DN35025D | 2 | 35 | 25 | | | |
| | 142V-XXP | 105 | 10 | DN00712D | 18 | 0.75 | 12 | | | | | DN25022D | 4 | 25 | 22 | | | |
| | | | | DN00510D | 20 | 0.5 | 10 | | | | | DN16018D | 6 | 16 | 18 | | | |
| | | | | DN00308D | 22 | 0.34 | 8 | | | | | DN10018D | 8 | 10 | 18 | | | |
| | | | | DN00208D | 24 | 0.25 | 8 | | | | | DN06018D | 10 | 6 | 18 | | | |
| 20~4 | 0177-03XX | 108 | 20 | DN10018D | 8 | 10 | 18 | 14~2 | 0290-51XX | 13 | 24~26 | DN35025D | 2 | 35 | 25 | | | |
| | 0177-06XX | 108 | 20 | DN06018D | 10 | 6 | 18 | | | | | 0290-51XXM | 13 | 24~26 | DN25022D | 4 | 25 | 22 |
| | 0177-08XX | 108 | 20 | DN04018D | 12 | 4 | 18 | | | | | DN16018D | 6 | 16 | 18 | | | |
| | | | | DN02518D | 14 | 2.5 | 18 | | | | | DN10018D | 8 | 10 | 18 | | | |
| | | | | DN01518D | 16 | 1.5 | 18 | | | | | DN06018D | 10 | 6 | 18 | | | |
| 18~4 | 0290-41XXYB | 13 | 19 | DN10012D | 8 | 10 | 12 | | | | | DN04018D | 12 | 4 | 18 | | | |
| | 0290-42XXYD | 13 | 19 | DN06012D | 10 | 6 | 12 | | | | | DN02518D | 14 | 2.5 | 18 | | | |
| | 0290-42XXP3YD | 13 | 19 | DN04012D | 12 | 4 | 10 | | | | | DN10018D | 8 | 10 | 18 | | | |
| | | | | DN02508D | 14 | 2.5 | 8 | | | | | DN06018D | 10 | 6 | 18 | | | |
| | | | | DN01508D | 16 | 1.5 | 8 | | | | | DN04018D | 12 | 4 | 18 | | | |

Screw connection PCB terminal blocks



| Wire range AWG | Terminal blocks | Page | Strip length mm | Applicable Ferrules | | | | Wire range AWG | Terminal blocks | Page | Strip length mm | Applicable Ferrules | | | | | | |
|-------------------|-----------------|------|--------------------|---------------------|-----|-----------------|----|-------------------|-----------------|------|--------------------|---------------------|----------|-----------------|----------|----------|------|-----|
| | | | | Ferrule P/N | AWG | mm ² | L1 | | | | | Ferrule P/N | AWG | mm ² | L1 | | | |
| 30~16 | EK350A-XXP | 110 | 6 | DN00706D | 18 | 0.75 | 6 | 30~14 | EESK381V-XXP | 110 | 6 | DN01006D | / | 1 | 6 | | | |
| | EK350V-XXP | 109 | 6 | DN00506D | 20 | 0.5 | 6 | | | | | ELK500S-XXP | 110 | 6 | DN00706D | 18 | 0.75 | 6 |
| | EK350V4L-XXP | 110 | 6 | DN00306D | 22 | 0.34 | 6 | | | | | ELK500V-XXP | 110 | 6 | DN00506D | 20 | 0.5 | 6 |
| | EK381A-XXP | 110 | 6 | DN00206D | 24 | 0.25 | 6 | | | | | ELK508S-XXP | 112 | 6 | DN00306D | 22 | 0.34 | 6 |
| | EK381V-XXP | 109 | 6 | | | | | | | | | ESK381V-XXP | 109 | 6 | DN00206D | 24 | 0.25 | 6 |
| | EK381V3L-XXP | 109 | 6 | | | | | | | | | ESK381V4L-XXP | 110 | 6 | | | | |
| | EK381V4L-XXP | 109 | 6 | | | | | | | | | ESK381R-XXP | 110 | 6 | | | | |
| | E3K381V-XXP | 110 | 6 | | | | | | | | | E2LK508V-XXP | 112 | 7 | | | | |
| | EEK381V-XXP | 110 | 6 | | | | | | | | | EKB635V-XXP | 114 | 8~9 | DN04010D | 12 | 4 | 10 |
| | EHK381V-XXP | 110 | 6 | | | | | | | | | | | | | DN02508D | 14 | 2.5 |
| 30~16 | ELK508V-XXP | 111 | 6 | DN01006D | / | 1 | 6 | 30~10 | | | | DN01508D | 16 | 1.5 | 8 | | | |
| | | | | DN00706D | 18 | 0.75 | 6 | | | | | | DN01008D | / | 1 | 8 | | |
| | | | | DN00506D | 20 | 0.5 | 6 | | | | | | DN00708D | 18 | 0.75 | 8 | | |
| | | | | DN00306D | 22 | 0.34 | 6 | | | | | | DN00508D | 20 | 0.5 | 8 | | |
| | | | | DN00206D | 24 | 0.25 | 6 | | | | | | DN00308D | 22 | 0.34 | 8 | | |
| 28~16 | | | | | | | | 28~16 | EK254V-XXP | 109 | 5 | DN00208D | 24 | 0.25 | 8 | | | |
| | | | | | | | | | | | | | | | DN00306D | 22 | 0.34 | 6 |
| | | | | | | | | | | | | | | | DN00206D | 24 | 0.25 | 6 |

Wire Ferrules

Screw connection PCB terminal blocks



| Wire range | Terminal blocks | Page | Strip length | Applicable Ferrules | | | | Wire range | Terminal blocks | Page | Strip length | Applicable Ferrules | | | | | | | | | | |
|----------------------------------|-----------------|------|--------------|---------------------|-------------|-----------------|----------|------------|-----------------|------|--------------|---------------------|----------------|-----------------|------------|-------------|----------------|----------|----------|----------|-----|-----|
| AWG | | | mm | Ferrule P/N | AWG | mm ² | L1 | AWG | | | mm | Ferrule P/N | AWG | mm ² | L1 | | | | | | | |
| 28~12 | EK750V-XXP | 114 | 7 | DN01508D | 16 | 1.5 | 8 | 24~12 | E2HK500V-XXPAM | 112 | 7 | DN02508D | 14 | 2.5 | 8 | | | | | | | |
| | | | | DN01008D | / | 1 | 8 | | | | | DN01508D | 16 | 1.5 | 8 | | | | | | | |
| | | | | DN00708D | 18 | 0.75 | 8 | | | | | DN01008D | / | 1 | 8 | | | | | | | |
| | | | | DN00508D | 20 | 0.2 | 8 | | | | | DN00708D | 18 | 0.75 | 8 | | | | | | | |
| | | | | DN00306D | 22 | 0.34 | 6 | | | | | DN00508D | 20 | 0.5 | 8 | | | | | | | |
| | | | | DN00206D | 24 | 0.25 | 6 | | | | | DN00306D | 22 | 0.34 | 6 | | | | | | | |
| 26~16 (Sol) 26~14 (Str) | ELK508V3L-XXP | 111 | 6~7 | DN01006D | / | 1 | 6 | 24~12 | E3K500V-XXP | 111 | 7 | DN02508D | 14 | 2.5 | 8 | | | | | | | |
| | | | | DN00706D | 18 | 0.75 | 6 | | | | | E3K508V-XXP | 114 | 7 | DN01008D | / | 1 | 8 | | | | |
| | | | | DN00506D | 20 | 0.5 | 6 | | | | | EEK500V-XXP | 111 | 7 | DN00708D | 18 | 0.75 | 8 | | | | |
| | | | | DN00306D | 22 | 0.34 | 6 | | | | | EEK508V-XXP | 114 | 7 | DN00508D | 20 | 0.5 | 8 | | | | |
| | | | | DN00206D | 24 | 0.25 | 6 | | | | | EHK2V-XXP | 113 | 7 | DN00306D | 22 | 0.34 | 6 | | | | |
| 26~16 | EELK508V-XXP | 111 | 6~7 | DN01006D | / | 1 | 6 | 24~12 | EHK5V-XXP | 112 | 8 | DN02508D | 14 | 2.5 | 8 | | | | | | | |
| | | | | DN00706D | 18 | 0.75 | 6 | | | | | EHK5V3L-XXP | 111 | 7 | DN01508D | 16 | 1.5 | 8 | | | | |
| | | | | DN00506D | 20 | 0.5 | 6 | | | | | EHK500R-XXP | 112 | 7 | DN01008D | / | 1 | 8 | | | | |
| | | | | DN00306D | 22 | 0.34 | 6 | | | | | EHK508V2L-XXP | 114 | 7 | DN00708D | 18 | 0.75 | 8 | | | | |
| | | | | DN00206D | 24 | 0.25 | 6 | | | | | EHK508V3L-XXP | 114 | 7 | DN00508D | 20 | 0.5 | 8 | | | | |
| 26~16 | ELK500B-XXP | 110 | 7 | DN01008D | / | 1 | 8 | 24~12 | E2HK508V-XXPAM | 114 | 7~8 | DN01508D | 16 | 1.5 | 8 | | | | | | | |
| | | | | DN00708D | 18 | 0.75 | 8 | | | | | EEHK2V-XXP | 113 | 7~8 | DN01008D | / | 1 | 8 | | | | |
| | | | | DN00508D | 20 | 0.5 | 8 | | | | | 24~12 | E2HK508V-XXPAM | 114 | 7~8 | DN00708D | 18 | 0.75 | 8 | | | |
| | | | | DN00308D | 22 | 0.34 | 8 | | | | | | | | | DN00508D | 20 | 0.5 | 8 | | | |
| | | | | DN00208D | 24 | 0.25 | 8 | | | | | | | | | DN00308D | 22 | 0.34 | 8 | | | |
| 26~12 | ESK508V-XXP | 114 | 8 | DN02508D | 14 | 2.5 | 8 | 24~12 | E2HK508V-XXPAM | 114 | 7~8 | DN01508D | 16 | 1.5 | 8 | | | | | | | |
| | | | | ESK508V3L-XXP | 113 | 8 | DN01008D | | | | | / | 1 | 8 | DN00708D | 18 | 0.75 | 8 | | | | |
| | | | | ESK508V4L-XXP | 113 | 8 | DN01008D | | | | | / | 1 | 8 | DN00508D | 20 | 0.5 | 8 | | | | |
| | | | | DN00708D | 18 | 0.75 | 8 | | | | | DN00308D | 22 | 0.34 | 8 | DN00208D | 24 | 0.25 | 8 | | | |
| | | | | DN00508D | 20 | 0.5 | 8 | | | | | 24~10 | EKB762V-XXP | 116 | 7~8 | DN02508D | 14 | 2.5 | 8 | | | |
| | | | | DN00308D | 22 | 0.34 | 8 | | | | | | | | | ESK750V-XXP | 114 | 7~8 | DN01508D | 16 | 1.5 | 8 |
| DN00208D | 24 | 0.25 | 8 | ESK762V-XXP | 116 | 7~8 | DN01008D | / | 1 | 8 | | | | | | | | | | | | |
| 26~10 | EK950HVN-XXP | 115 | 8 | DN02508D | 14 | 2.5 | 8 | 24~12 | E2HK508V-XXPAM | 114 | 7~8 | DN01508D | 16 | 1.5 | 8 | | | | | | | |
| | | | | EK950V-XXP | 115 | 8 | DN01508D | | | | | 16 | 1.5 | 8 | EEHK2V-XXP | 113 | 7~8 | DN01008D | / | 1 | 8 | |
| | | | | DN01008D | / | 1 | 8 | | | | | 24~12 | E2HK508V-XXPAM | 114 | 7~8 | DN00708D | 18 | 0.75 | 8 | | | |
| | | | | DN00708D | 18 | 0.75 | 8 | | | | | | | | | DN00508D | 20 | 0.5 | 8 | | | |
| | | | | DN00508D | 20 | 0.5 | 8 | | | | | | | | | DN00308D | 22 | 0.34 | 8 | | | |
| | | | | 26~10 | ESK635V-XXP | 114 | 8~9 | | | | | DN04010D | 12 | 4 | 10 | 24~10 | E2HK508V-XXPAM | 114 | 7~8 | DN01508D | 16 | 1.5 |
| DN02508D | 14 | 2.5 | 8 | | | | | DN00708D | 18 | 0.75 | 8 | | | | | | | | | | | |
| DN01508D | 16 | 1.5 | 8 | | | | | DN00508D | 20 | 0.5 | 8 | | | | | | | | | | | |
| DN01008D | / | 1 | 8 | | | | | DN00308D | 22 | 0.34 | 8 | | | | | | | | | | | |
| DN00708D | 18 | 0.75 | 8 | | | | | DN00208D | 24 | 0.25 | 8 | | | | | | | | | | | |
| DN00508D | 20 | 0.5 | 8 | | | | | 24~10 | E2HK508V-XXPAM | 114 | 7~8 | DN02508D | 14 | 2.5 | 8 | | | | | | | |
| DN00308D | 22 | 0.34 | 8 | | | | | | | | | ESK750V-XXP | 114 | 7~8 | DN01508D | | | | | 16 | 1.5 | 8 |
| DN00208D | 24 | 0.25 | 8 | | | | | | | | | ESK762V-XXP | 116 | 7~8 | DN01008D | | | | | / | 1 | 8 |
| DN00208D | 24 | 0.25 | 8 | DN00708D | 18 | 0.75 | 8 | | | | | | | | | | | | | | | |

Screw connection PCB terminal blocks



| Wire range | Terminal blocks | Page | Strip length | Applicable Ferrules | | | | Wire range | Terminal blocks | Page | Strip length | Applicable Ferrules | | | | | | | | | |
|------------|-----------------|------|--------------|---------------------|-----|-----------------|----------|------------|-----------------|------|--------------|---------------------|------|-----------------|--------------|----------|-------|----------|----|----|----|
| AWG | | | mm | Ferrule P/N | AWG | mm ² | L1 | AWG | | | mm | Ferrule P/N | AWG | mm ² | L1 | | | | | | |
| 24~6 | PDS-10-XX | 118 | 13 | DN10012D | 8 | 10 | 12 | 18~8 | EPK635VN-XXP | 113 | 10~11 | DN04012D | 12 | 4 | 12 | | | | | | |
| | | | | DN06012D | 10 | 6 | 12 | | | | | DN02510D | 14 | 2.5 | 10 | | | | | | |
| | | | | DN04012D | 12 | 4 | 12 | | | | | DN01510D | 16 | 1.5 | 10 | | | | | | |
| | | | | DN02512D | 14 | 2.5 | 12 | | | | | DN01010D | 18 | 1 | 10 | | | | | | |
| | | | | DN01512D | 16 | 1.5 | 12 | | | | | DN00710D | 18 | 0.75 | 10 | | | | | | |
| | | | | DN01012D | / | 1 | 12 | | | | | DN00510D | 20 | 0.5 | 10 | | | | | | |
| 22~12 | DT-123HVR-XXP | 118 | 14 | DN01512D | 16 | 1.5 | 12 | 16~2/0 | ESK175V-XXP | 116 | 19~21 | DN050020D | 1 | 50 | 20 | | | | | | |
| | | | | DT-123RA-XXP | 117 | 14 | DN01012D | | | | | / | 1 | 12 | ESK175VM-XXP | 116 | 19~21 | DN35018D | 2 | 35 | 18 |
| | | | | DT-123RA-XXP3 | 117 | 14 | DN00712D | | | | | 18 | 0.75 | 12 | DN25018D | 4 | 25 | 18 | | | |
| | | | | DT-123VA-XXP | 117 | 14 | DN00510D | | | | | 20 | 0.5 | 10 | DN16018D | 6 | 16 | 18 | | | |
| | | | | DT-123VA-XXP3 | 117 | 14 | DN00308D | | | | | 22 | 0.34 | 8 | DN10018D | 8 | 10 | 18 | | | |
| | | | | DN00208D | 24 | 0.25 | 8 | | | | | DN06018D | 10 | 6 | 18 | | | | | | |
| 22~10 | DT-2300-XXP | 117 | 14 | DN04018D | 12 | 4 | 18 | 6~3/0 | ESK200VM-XXP | 116 | 25~26 | DN95025D | 3/0 | 95 | 25 | | | | | | |
| | | | | DT-2301-XXP | 117 | 14 | DN02512D | | | | | 14 | 2.5 | 12 | DN70021D | 2/0 | 70 | 21 | | | |
| | | | | DT-2320-XXP | 118 | 14 | DN01512D | | | | | 16 | 1.5 | 12 | DN50025D | 1 | 50 | 25 | | | |
| | | | | DT-2321-XXP | 118 | 14 | DN01012D | | | | | / | 1 | 12 | DN35025D | 2 | 35 | 25 | | | |
| | | | | DN00712D | 18 | 0.75 | 12 | | | | | DN25022D | 4 | 25 | 22 | DN16018D | 6 | 16 | 18 | | |
| | | | | DN00510D | 20 | 0.5 | 10 | | | | | | | | | | | | | | |
| 22~6 | ESKW116V-XXP | 116 | 13~14 | DN10012D | 8 | 10 | 12 | 20~6 | EPK116VN-XXP | 115 | 13 | DN16012D | 6 | 16 | 12 | | | | | | |
| | | | | DN06012D | 10 | 6 | 12 | | | | | EPK116VS-XXP | 115 | 13 | DN10012D | 8 | 10 | 12 | | | |
| | | | | DN04012D | 12 | 4 | 12 | | | | | ESK116R-XXPAM | 116 | 11 | DN06012D | 10 | 6 | 12 | | | |
| | | | | DN02512D | 14 | 2.5 | 12 | | | | | ESK116V-XXP | 116 | 11 | DN04012D | 12 | 4 | 12 | | | |
| | | | | DN01512D | 16 | 1.5 | 12 | | | | | DN02512D | 14 | 2.5 | 12 | | | | | | |
| | | | | DN01012D | / | 1 | 12 | | | | | DN01512D | 16 | 1.5 | 12 | | | | | | |
| 20~6 | EPK116VN-XXP | 115 | 13 | DN16012D | 6 | 16 | 12 | 20~2 | ESK150V-XXP | 115 | 19 | DN25018D | 4 | 25 | 18 | | | | | | |
| | | | | DN10012D | 8 | 10 | 12 | | | | | ESK150VM-XXP | 115 | 19 | DN16018D | 6 | 16 | 18 | | | |
| | | | | DN06012D | 10 | 6 | 12 | | | | | DN10018D | 8 | 10 | 18 | | | | | | |
| | | | | DN04012D | 12 | 4 | 12 | | | | | DN06018D | 10 | 6 | 18 | | | | | | |
| | | | | DN02512D | 14 | 2.5 | 12 | | | | | DN04018D | 12 | 4 | 18 | | | | | | |
| | | | | DN01512D | 16 | 1.5 | 12 | | | | | DN02518D | 14 | 2.5 | 18 | | | | | | |
| 20~2 | EPK116VS-XXP | 115 | 13 | DN10012D | 8 | 10 | 12 | 20~2 | ESK150V-XXP | 115 | 19 | DN01518D | 16 | 1.5 | 18 | | | | | | |
| | | | | ESK116R-XXPAM | 116 | 11 | DN00712D | | | | | 18 | 0.75 | 12 | | | | | | | |
| | | | | ESK116V-XXP | 116 | 11 | DN00510D | | | | | 20 | 0.5 | 10 | | | | | | | |
| | | | | DN04012D | 12 | 4 | 12 | | | | | | | | | | | | | | |
| | | | | DN02512D | 14 | 2.5 | 12 | | | | | | | | | | | | | | |
| | | | | DN01512D | 16 | 1.5 | 12 | | | | | | | | | | | | | | |

Wire Ferrules

Spring clamp connection PCB terminal blocks



| Wire range AWG | Terminal blocks | Page | Strip length mm | Applicable Ferrules | | | | Wire range AWG | Terminal blocks | Page | Strip length mm | Applicable Ferrules | | | |
|-------------------|-----------------|------|--------------------|---------------------|-----|-----------------|----|-------------------|-----------------|------|--------------------|---------------------|-----|-----------------|----|
| | | | | Ferrule P/N | AWG | mm ² | L1 | | | | | Ferrule P/N | AWG | mm ² | L1 |
| 28~20 | WKA250A-XXP | 119 | 6 | DN01006D | / | 1 | 6 | 26~10 (Str) | WSKA750S-XXP | 120 | 14~15 | DN04012D | 12 | 4 | 12 |
| | WKA254A-XXP | 120 | 6 | DN00706D | 18 | 0.75 | 6 | | | | | DN02512D | 14 | 2.5 | 12 |
| | WKV250A-XXP | 120 | 6 | DN00506D | 20 | 0.5 | 6 | | | | | DN01512D | 16 | 1.5 | 12 |
| | WKV254A-XXP | 120 | 6 | DN00306D | 22 | 0.34 | 6 | | | | | DN01012D | / | 1 | 12 |
| | | | | DN00206D | 24 | 0.25 | 6 | | | | | DN00712D | 18 | 0.75 | 12 |
| 28~12 | W3K500-XXP | 120 | 7 | DN01508D | 16 | 1.5 | 8 | 24~16 | WKA50B-XXP | 119 | 10 | DN01012D | / | 1 | 12 |
| | W3K508-XXP | 120 | 7 | DN01006D | / | 1 | 6 | | | | | DN00712D | 18 | 0.75 | 12 |
| | W4K500-XXP | 120 | 7 | DN00706D | 18 | 0.75 | 6 | | | | | DN00510D | 20 | 0.5 | 10 |
| | W4K508-XXP | 120 | 7 | DN00506D | 20 | 0.5 | 6 | | | | | DN00308D | 22 | 0.34 | 8 |
| | WKA500-XXP | 119 | 6 | DN00306D | 22 | 0.34 | 6 | | | | | DN00208D | 24 | 0.25 | 8 |
| | WKA500-XXPL | 119 | 6 | DN00206D | 24 | 0.25 | 6 | 24~6 | WSKA100-XXP | 120 | 15 | DN10018D | 8 | 10 | 18 |
| | WKA508-XXP | 119 | 6 | | | | | | | | | DN06018D | 10 | 6 | 18 |
| | WKK500-XXP | 120 | 7 | | | | | | | | | DN04018D | 12 | 4 | 18 |
| | WKK508-XXP | 120 | 7 | | | | | | | | | DN02518D | 14 | 2.5 | 18 |
| | | | | | | | | | | | | DN01518D | 16 | 1.5 | 18 |
| 28~12 | WSKA500S-XXP | 119 | 11 | DN02512D | 14 | 2.5 | 12 | | | | | | | | |
| | | | | DN01512D | 16 | 1.5 | 12 | | | | | | | | |
| | | | | DN01012D | / | 1 | 12 | | | | | | | | |
| | | | | DN00712D | 18 | 0.75 | 12 | | | | | | | | |
| | | | | DN00510D | 20 | 0.5 | 10 | | | | | | | | |

I/O enclosure terminal blocks



| Wire range AWG | Terminal blocks | Page | Strip length mm | Applicable Ferrules | | | | Wire range AWG | Terminal blocks | Page | Strip length mm | Applicable Ferrules | | | | | | |
|-------------------|-----------------|------|--------------------|---------------------|-----------|-----------------|----|-------------------|-----------------|------|--------------------|---------------------|------|-----------------|----------|------------|------|----|
| | | | | Ferrule P/N | AWG | mm ² | L1 | | | | | Ferrule P/N | AWG | mm ² | L1 | | | |
| 30~12 | 7ES-3PL | 131 | 8 | DN02508D | 14 | 2.5 | 8 | 24~12 | 0189-202PL | 129 | 11 | DN02510D | 14 | 2.5 | 10 | | | |
| | 7ES-3PR | 131 | 8 | DN01508D | 16 | 1.5 | 8 | | | | | 0189-203PL | 129 | 11 | DN01510D | 16 | 1.5 | 10 |
| | | | | DN01008D | / | 1 | 8 | | | | | 0189-204PL | 129 | 11 | DN01010D | / | 1 | 10 |
| | | | | DN00708D | 18 | 0.75 | 8 | | | | | 0189-212PL | 129 | 11 | DN00710D | 18 | 0.75 | 10 |
| | | | | DN00508D | 20 | 0.5 | 8 | | | | | 0189-213PL | 129 | 11 | DN00508D | 20 | 0.5 | 8 |
| | | | | DN00308D | 22 | 0.34 | 8 | | | | | 0189-214PL | 129 | 11 | DN00308D | 22 | 0.34 | 8 |
| | | | | DN00208D | 24 | 0.25 | 8 | | | | | 0189-202PR | 130 | 11 | DN00208D | 24 | 0.25 | 8 |
| | | | | 28~16 | 0171-10XX | 128 | 8 | | | | | DN01008D | / | 1 | 8 | 0189-203PR | 130 | 11 |
| 0171-11XX | 128 | 8 | DN00708D | | 18 | 0.75 | 8 | 0189-204PR | 130 | 11 | | | | | | | | |
| 0171-60XX | 128 | 8 | DN00508D | | 20 | 0.5 | 8 | 0189-212PR | 130 | 11 | | | | | | | | |
| | | | DN00308D | | 22 | 0.34 | 8 | 0189-213PR | 130 | 11 | | | | | | | | |
| | | | DN00208D | | 24 | 0.25 | 8 | 0189-214PR | 130 | 11 | | | | | | | | |
| 28~16 | 0228-21XX | 128 | 9 | DN01010D | / | 1 | 10 | 22~14 | 5ES-2PL | 129 | 8 | DN02508D | 14 | 2.5 | 8 | | | |
| | 0228-22XX | 128 | 9 | DN00710D | 18 | 0.75 | 10 | | | | | 5ES-3PL | 129 | 8 | DN01508D | 16 | 1.5 | 8 |
| | 0228-23XX | 128 | 9 | DN00510D | 20 | 0.5 | 10 | | | | | 5ES-4PL | 129 | 8 | DN01008D | / | 1 | 8 |
| | | | | DN00308D | 22 | 0.34 | 8 | | | | | 5ES-2PR | 130 | 8 | DN00708D | 18 | 0.75 | 8 |
| | | | | DN00208D | 24 | 0.25 | 8 | | | | | 5ES-3PR | 130 | 8 | DN00508D | 20 | 0.5 | 8 |
| 24~12 | 0171-20XX | 128 | 10 | DN01510D | 16 | 1.5 | 10 | 5ES-4PR | 130 | 8 | DN00308D | 22 | 0.34 | 8 | | | | |
| | 0171-21XX | 128 | 10 | DN01010D | / | 1 | 10 | | | | DN00208D | 24 | 0.25 | 8 | | | | |
| | | | | DN00710D | 18 | 0.75 | 10 | | | | | | | | | | | |
| | | | | DN00510D | 20 | 0.5 | 10 | | | | | | | | | | | |
| | | | | DN00308D | 22 | 0.34 | 8 | | | | | | | | | | | |
| | | | | DN00208D | 24 | 0.25 | 8 | | | | | | | | | | | |

P-LUP Family

PCB Connectors & PCB Terminal Blocks

Highlights

Dinkle new lever up design terminal block, P-LUP family, adopts a new lever up type wiring structure, which brings more convenient operation. The 0290 series PCB terminal block and the 0256 and 0257 series PCB connectors optimize levers' operability and maintain the high reliability of push-in connections. The new P-LUP family of products uses push-in connection method with lever-up lever to make wiring task faster and easier than ever, up to 2 AWG (35 mm²) and electrical specifications from 300V/10A~600V/101A (UL). We will continue to develop P-LUP family to meet the diverse needs of industrial wiring.



0290-43XX



0290-51XX



0290-11XX



0290-21XX



0290-32XX



0290-42XX

Product Features:

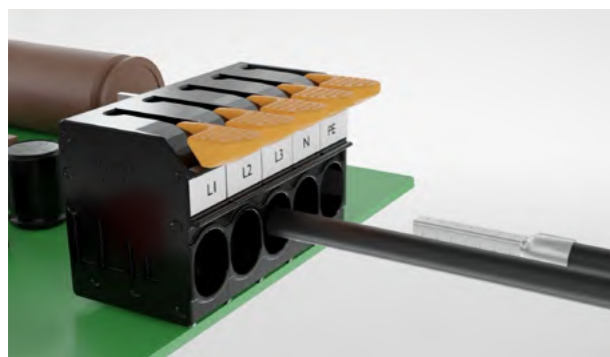
1. Perfect operating experience

The lever up type product is ergonomically designed for simple and time-saving operation and quick wiring, providing a high reliability connection and ensuring the overall efficient operation of the system.



2. Tool-free & push-in (PID) connection

The lever up type push-in design connection can easily insert the solid wire or the ferruled stranded wire without any tool to save wiring time, and easy to release the conductors by the lever-up lever without tool.

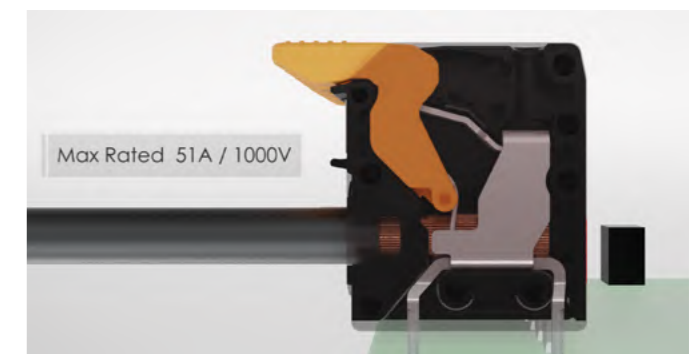


3. Test hole for continuity confirmation

P-LUP series are designed with electrical testing holes, which is convenient for users to check the continuity.

4. Excellent contact stability

Push-in connection technology makes the conductors of solid wires and ferruled wires can be easily inserted into the clamp. Lever up type design ensures reliable contact and long-term stability of inserted conductors. Dual solder pins bring a steadily soldering on the PCB.



5. Simple and clear marking system

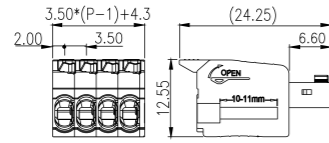
With D-Thermo marking system and the latest flat marking plate, the design of the marking area of the terminal block can be marked by label strip at one time, which is easy to mark and easy to identify.

* For D-Thermo marking system, please refer to Dinkle catalogue DC-34

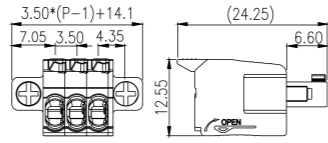
3.50mm

| | | |
|---------------------------------|--------|----------|
| Technical Data | UL | IEC |
| Rated voltage | 300V | 320V |
| Rated current | 8A | 10A |
| Solid (AWG/mm ²) | 28-16 | 0.14-1.5 |
| Flexible (AWG/mm ²) | 28-16 | 0.14-1.5 |
| Rated impulse voltage | | 2.5kV |
| Wire strip length | 9-10mm | |
| Number of Positions | 02-24P | |

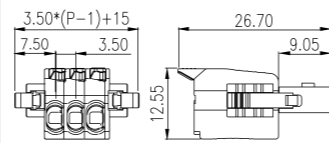
0256-11XX



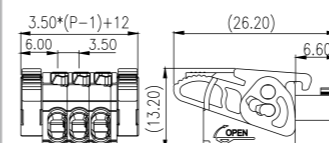
0256-12XX



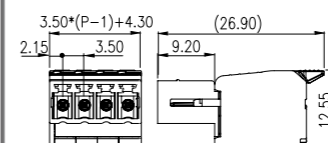
0256-13XX



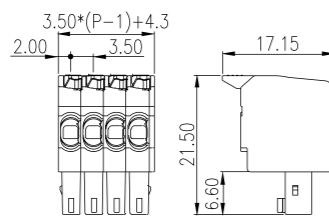
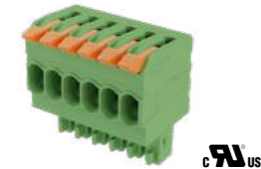
0256-14XX



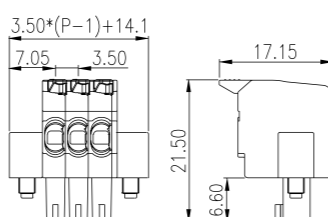
0218-21XX



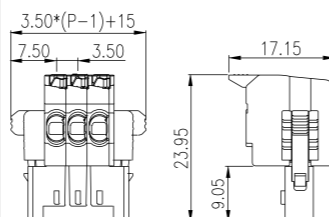
0256-21XX



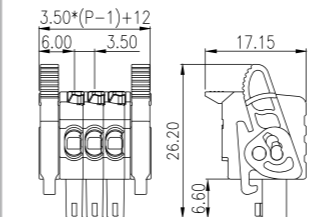
0256-22XX



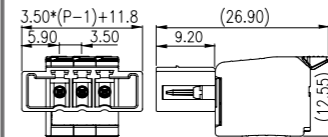
0256-23XX



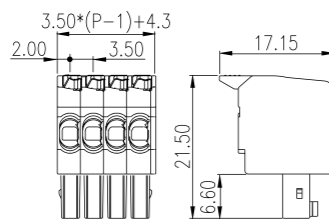
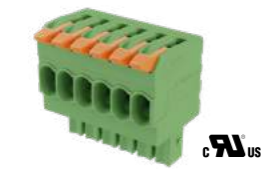
0256-24XX



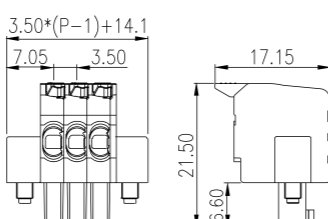
0218-23XX



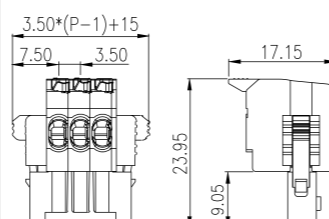
0256-31XX



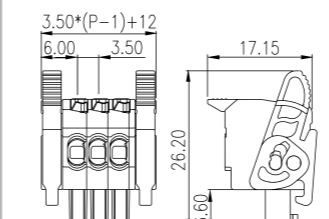
0256-32XX



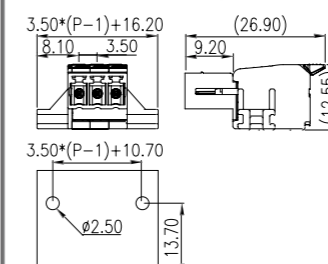
0256-33XX



0256-34XX



0218-25XX



Socket

| | |
|--------------|-----|
| ECH350V-XXP | P69 |
| ECH350V-XXPL | P69 |
| ECH350R-XXP | P69 |
| ECH350R-XXPL | P69 |

Please refer to the related page number for the compatible headers.

Socket

| | |
|---------------|-----|
| ECH350VM-XXP | P32 |
| ECH350VM-XXPL | P32 |
| ECH350RM-XXP | P32 |
| ECH350RM-XXPL | P32 |

Please refer to the related page number for the compatible headers.

Socket

| | |
|---------------|-----|
| ECH350VJ-XXP | P32 |
| ECH350VJ-XXPL | P32 |
| ECH350RJ-XXP | P32 |
| ECH350RJ-XXPL | P32 |

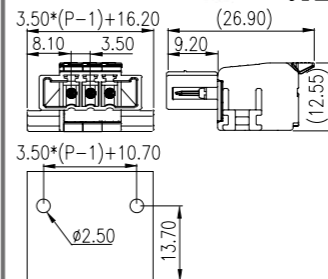
Please refer to the related page number for the compatible headers.

Socket

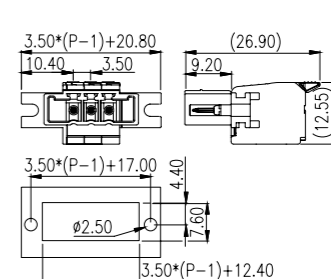
| | |
|---------------|-----|
| ECH350VD-XXP | P69 |
| ECH350RD-XXP | P69 |
| ECH350VM-XXPL | P32 |
| ECH350RM-XXPL | P32 |

Please refer to the related page number for the compatible headers.

0218-27XX



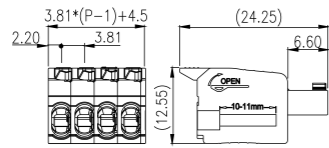
0218-2GXX



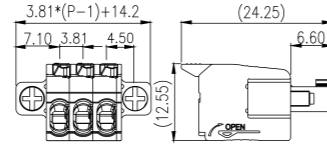
3.81mm

| | | |
|---------------------------------|--------|----------|
| Technical Data | UL | IEC |
| Rated voltage | 300V | 320V |
| Rated current | 8A | 10A |
| Solid (AWG/mm ²) | 28~16 | 0.14~1.5 |
| Flexible (AWG/mm ²) | 28~16 | 0.14~1.5 |
| Rated impulse voltage | | 2.5KV |
| Wire strip length | 9~10mm | |
| Number of Positions | | |
| 02~24P | | |

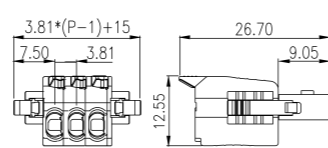
0256-61XX



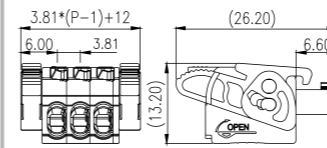
0256-62XX



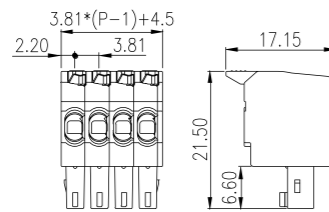
0256-63XX



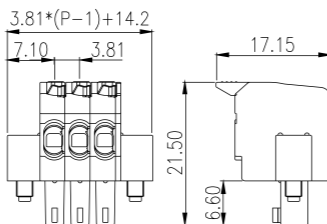
0256-64XX



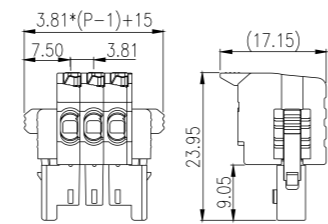
0256-71XX



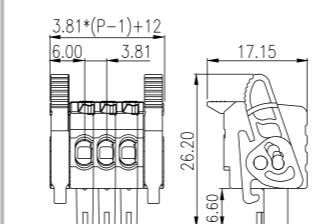
0256-72XX



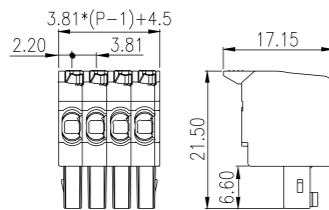
0256-73XX



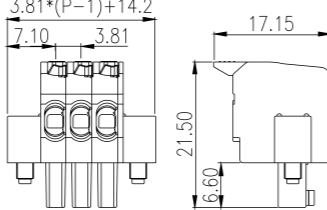
0256-74XX



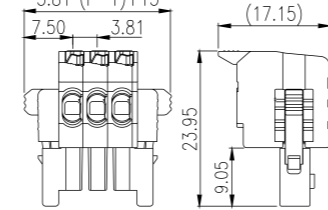
0256-81XX



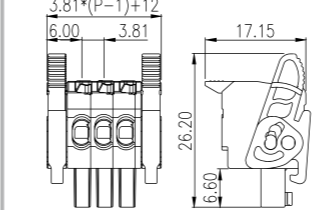
0256-82XX



0256-83XX



0256-84XX



Socket

| | |
|--------------|-----|
| ECH381V-XXP | P71 |
| ECH381V-XXPL | P71 |
| ECH381R-XXP | P71 |
| ECH381R-XXPL | P71 |

Please refer to the related page number for the compatible headers.

Socket

| | |
|---------------|-----|
| ECH381VM-XXP | P71 |
| ECH381VM-XXPL | P71 |
| ECH381RM-XXP | P71 |
| ECH381RM-XXPL | P71 |

Please refer to the related page number for the compatible headers.

Socket

| | |
|---------------|-----|
| ECH381RJ-XXP | P33 |
| ECH381RJ-XXPL | P33 |
| ECH381VJ-XXP | P33 |
| ECH381VJ-XXPL | P33 |

Please refer to the related page number for the compatible headers.

Socket

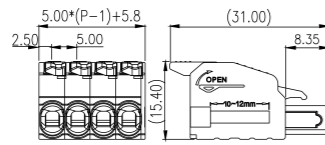
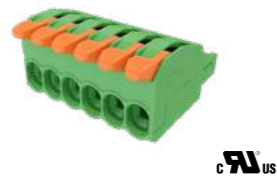
| | |
|---------------|-----|
| ECH381VD-XXP | P71 |
| ECH381RD-XXP | P71 |
| ECH381VM-XXPL | P71 |
| ECH381RM-XXPL | P71 |

Please refer to the related page number for the compatible headers.

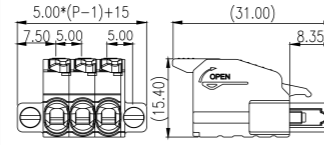
5.00mm

| | | |
|---------------------------------|---------|---------|
| Technical Data | UL | IEC |
| Rated voltage | 300V | 630V |
| Rated current | 15A | 16A |
| Solid (AWG/mm ²) | 26-12 | 0.2-2.5 |
| Flexible (AWG/mm ²) | 26-12 | 0.2-2.5 |
| Rated impulse voltage | | 4KV |
| Wire strip length | 10-12mm | |
| Number of Positions | | |
| 02-24P | | |
| Accessories | | |
| ESDK1 | P66 | |
| ESDK2 | P66 | |

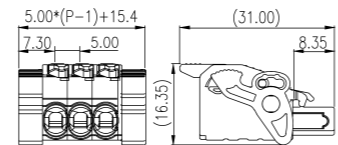
0257-11XX



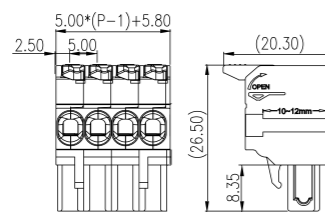
0257-12XX



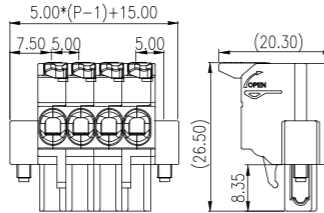
0257-14XX



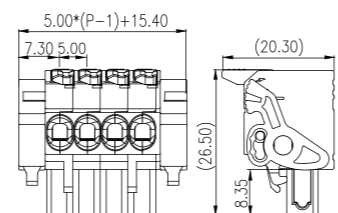
0257-21XX



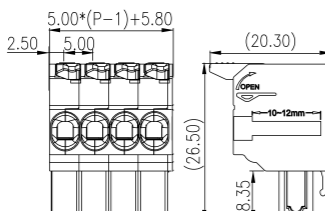
0257-22XX



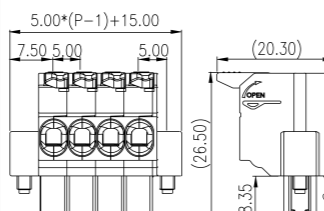
0257-24XX



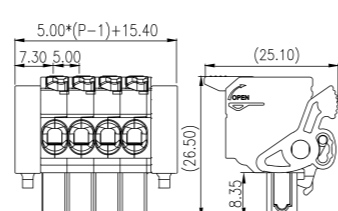
0257-31XX



0257-32XX



0257-34XX



Socket

| | |
|-------------|-----|
| 5EHDVC-XXP | P73 |
| 5EHDVC-XXPL | P73 |
| 5EHDRG-XXP | P73 |
| 5EHDRG-XXPL | P73 |

Please refer to the related page number for the compatible headers.

Socket

| | |
|-------------|-----|
| 5EHDVM-XXP | P74 |
| 5EHDVM-XXPL | P74 |
| 5EHDRM-XXP | P74 |
| 5EHDRM-XXPL | P74 |

Please refer to the related page number for the compatible headers.

Socket

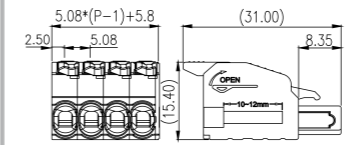
| | |
|-------------|-----|
| 5EHDVG-XXP | P74 |
| 5EHDRG-XXP | P74 |
| 5EHDVM-XXPL | P74 |
| 5EHDRM-XXPL | P74 |

Please refer to the related page number for the compatible headers.

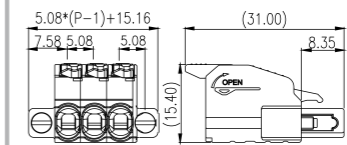
5.08mm

| | | |
|---------------------------------|---------|---------|
| Technical Data | UL | IEC |
| Rated voltage | 300V | 630V |
| Rated current | 15A | 16A |
| Solid (AWG/mm ²) | 26-12 | 0.2-2.5 |
| Flexible (AWG/mm ²) | 26-12 | 0.2-2.5 |
| Rated impulse voltage | | 4KV |
| Wire strip length | 10-12mm | |
| Number of Positions | | |
| 02-24P | | |
| Accessories | | |
| ESDK1 | P66 | |
| ESDK2 | P66 | |

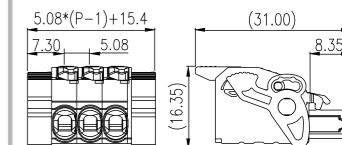
0257-61XX



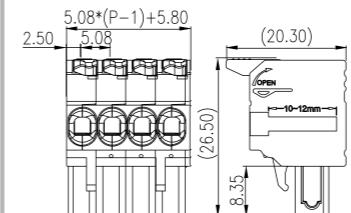
0257-62XX



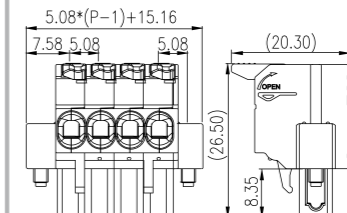
0257-64XX



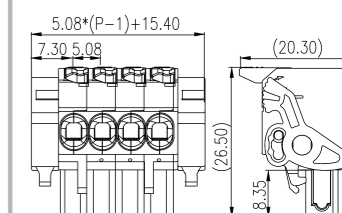
0257-71XX



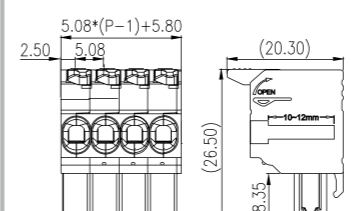
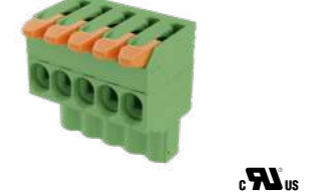
0257-72XX



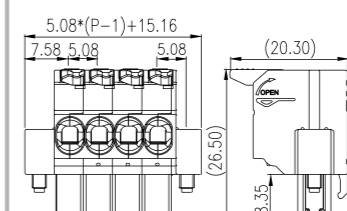
0257-74XX



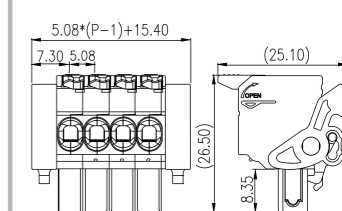
0257-81XX



0257-82XX



0257-84XX



Socket

| | |
|-------------|-----|
| 2EHDVC-XXP | P76 |
| 2EHDVC-XXPL | P76 |
| 2EHDRG-XXP | P76 |
| 2EHDRG-XXPL | P76 |

Please refer to the related page number for the compatible headers.

Socket

| | |
|-------------|-----|
| 2EHDVM-XXP | P76 |
| 2EHDVM-XXPL | P76 |
| 2EHDRM-XXP | P76 |
| 2EHDRM-XXPL | P76 |

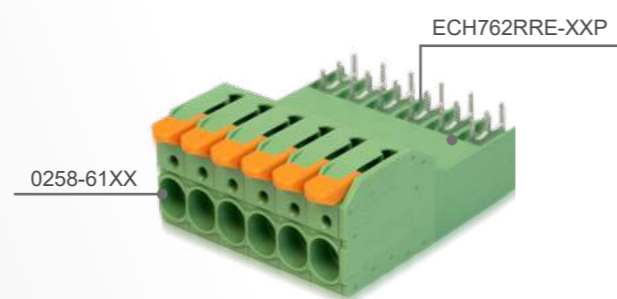
Please refer to the related page number for the compatible headers.

Socket

| | |
|-------------|-----|
| 2EHDVG-XXP | P75 |
| 2EHDRG-XXP | P75 |
| 2EHDVM-XXPL | P76 |
| 2EHDRM-XXPL | P76 |

Please refer to the related page number for the compatible headers.

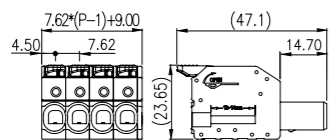
P-LUP Plug & Sockets



7.62mm

0258-61XX

| Technical Data | UL | IEC |
|---------------------------------|---------|--------|
| Rated voltage | 600V | 1000V |
| Rated current | 35A | 41A |
| Solid (AWG/mm ²) | 20~8 | 0.2~10 |
| Flexible (AWG/mm ²) | 20~8 | 0.2~6 |
| Rated impulse voltage | | 8KV |
| Wire strip length | 12~14mm | |

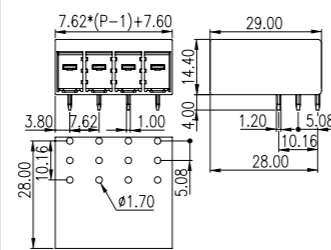
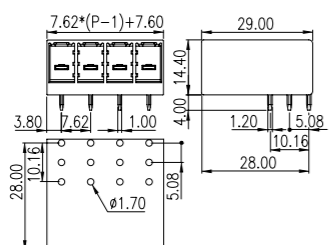


7.62mm

ECH762RE-XXP

ECH762RRE-XXP

| Technical Data | UL | IEC |
|-----------------------|------|-------|
| Rated voltage | 600V | 1000V |
| Rated current | 35A | 41A |
| Rated impulse voltage | | 8KV |



P-LUP family



The lever-type handle is designed in accordance with ergonomic principles, ensuring a comfortable grip and ease of use. This thoughtful design not only enhances operational efficiency but also enables users to perform wiring tasks swiftly and accurately, significantly reducing installation time.

0275 & 0290 Series

Connection method: Push-in connection
Pitch: 3.50mm / 5.00mm / 7.50mm / 10.00mm / 14.50mm / 15.00mm
UL Rated Voltage: 300V ~ 1000V
UL Rated Current: 10 ~ 101A
IEC Rated Voltage: 160V ~ 1000V
IEC Rated Current: 17.5A ~ 125A

- P-LUP features a new lever up wiring structure for easier operation
- The PCB terminal block optimizes the operability of the lever up handle and maintains a high-reliability push-in connection.
- Lever up PID connection makes the conductor be inserted into the terminal block without ferrules to implement reality tool free operation
- 0290 & 0275 Series are Equipped with test holes for users to check the continuity easily
- Suitable for charging piles and power transmission

3.50mm

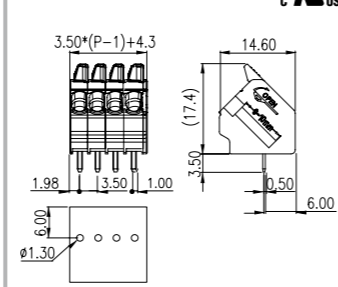
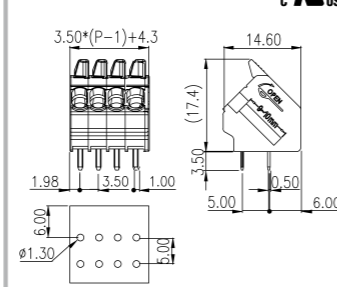
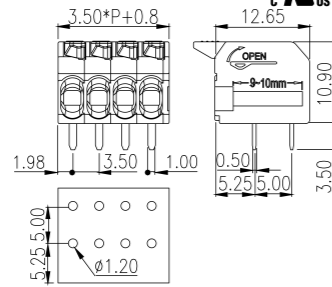
0290-11XX

0275-11XX

0275-11XXY5

| Technical Data | UL | IEC |
|---------------------------------|--------|----------|
| Rated voltage | 300V | 160V |
| Rated current | 10A | 17.5A |
| Solid (AWG/mm ²) | 28~16 | 0.14~1.5 |
| Flexible (AWG/mm ²) | 28~16 | 0.14~1.5 |
| Rated impulse voltage | 2.5KV | |
| Wire strip length | 9~10mm | |

Number of Positions
02~24P



5.00mm

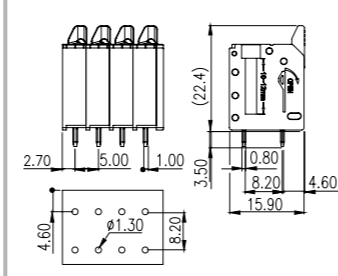
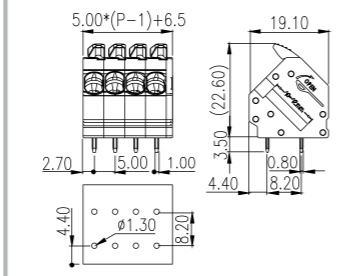
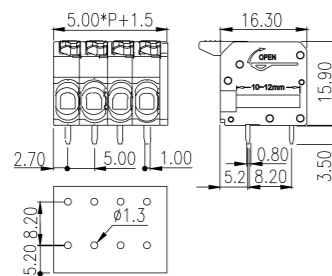
0290-21XX

0275-21XX

0276-21XX

| Technical Data | UL | IEC |
|---------------------------------|---------|-------|
| Rated voltage | 300V | 400V |
| Rated current | 20A | 32A |
| Solid (AWG/mm ²) | 24~12 | 0.2~4 |
| Flexible (AWG/mm ²) | 24~12 | 0.2~4 |
| Rated impulse voltage | 4KV | |
| Wire strip length | 10~12mm | |

Number of Positions
02~12P



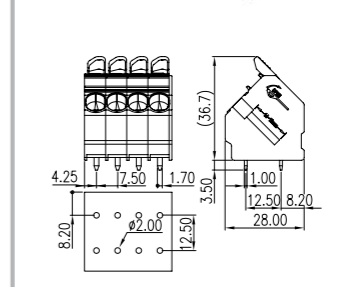
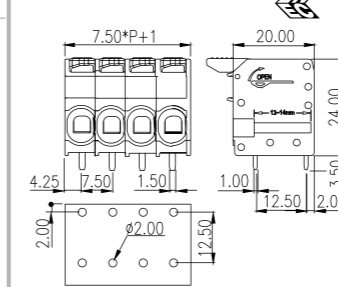
7.50mm

0290-31XX

0275-31XX

| Technical Data | UL | IEC |
|---------------------------------|---------|-------|
| Rated voltage | 300V | 630V |
| Rated current | 32A | 41A |
| Solid (AWG/mm ²) | 24~8 | 0.2~6 |
| Flexible (AWG/mm ²) | 24~8 | 0.2~6 |
| Rated impulse voltage | 6KV | |
| Wire strip length | 12~14mm | |

Number of Positions
02~12P



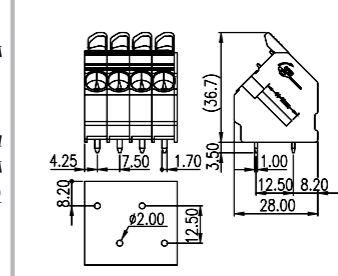
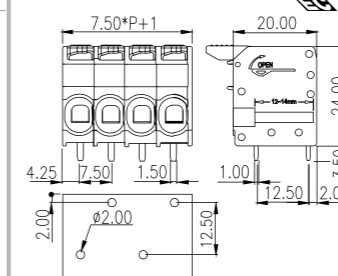
7.50mm

0290-32XX

0275-32XX

| Technical Data | UL | IEC |
|---------------------------------|---------|-------|
| Rated voltage | 600V | 1000V |
| Rated current | 32A | 41A |
| Solid (AWG/mm ²) | 24~8 | 0.2~6 |
| Flexible (AWG/mm ²) | 24~8 | 0.2~6 |
| Rated impulse voltage | 8KV | |
| Wire strip length | 12~14mm | |

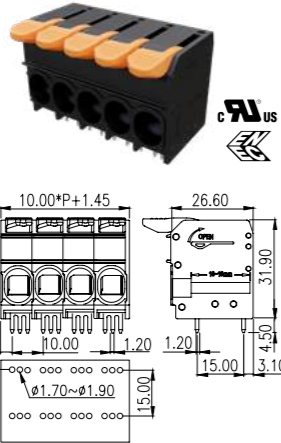
Number of Positions
02~12P



10.00mm

0290-41XXYB

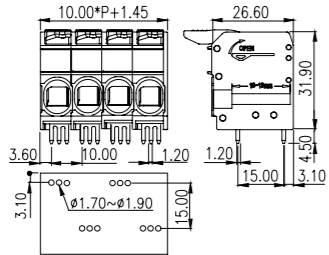
| Technical Data | UL | IEC |
|---------------------------------|---------|---------|
| Rated voltage | 300V | 400V |
| Rated current | 66A | 76A |
| Solid (AWG/mm ²) | 18~4 | 0.75~16 |
| Flexible (AWG/mm ²) | 18~4 | 0.75~16 |
| Rated impulse voltage | 4KV | |
| Wire strip length | 18~19mm | |
| Number of Positions | | |
| 02~12P | | |



10.00mm

0290-42XXYD

| Technical Data | UL | IEC |
|---------------------------------|---------|---------|
| Rated voltage | 600V | 1000V |
| Rated current | 66A | 76A |
| Solid (AWG/mm ²) | 18~4 | 0.75~16 |
| Flexible (AWG/mm ²) | 18~4 | 0.75~16 |
| Rated impulse voltage | 4KV | |
| Wire strip length | 18~19mm | |
| Number of Positions | | |
| 02~12P | | |

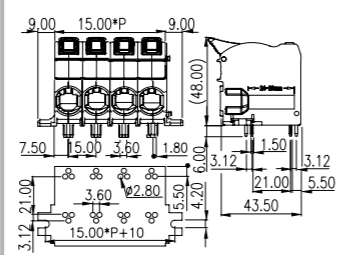
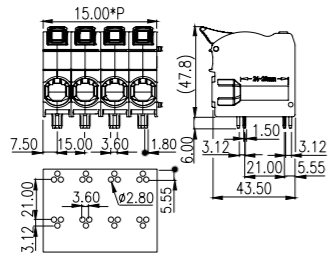


15.00mm

0290-51XX

0290-51XXM

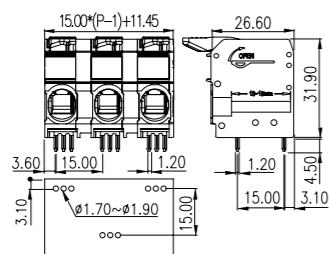
| Technical Data | UL | IEC |
|---------------------------------|---------|--------|
| Rated voltage | 600V | 1000V |
| Rated current | 101A | 125A |
| Solid (AWG/mm ²) | 14~2 | 2.5~35 |
| Flexible (AWG/mm ²) | 14~2 | 2.5~35 |
| Rated impulse voltage | 8KV | |
| Wire strip length | 24~26mm | |
| Number of Positions | | |
| 01~06P | | |



15.00mm

0290-42XXP3YD

| Technical Data | UL | IEC |
|---------------------------------|---------|---------|
| Rated voltage | 1000V | 1000V |
| Rated current | 72A | 76A |
| Solid (AWG/mm ²) | 18~4 | 0.75~16 |
| Flexible (AWG/mm ²) | 18~4 | 0.75~16 |
| Rated impulse voltage | 4KV | |
| Wire strip length | 18~19mm | |
| Number of Positions | | |
| 02~12P | | |



PID (Push-In Design) Plugs & Sockets



Connection technology- push-in design connection, for easy and flexible conductor connection

Connection method: Push-in design

Pitch: 2.50mm / 2.54mm / 3.50mm

UL Rated: 150V / 5A, 150V / 8A, 300V / 8A

IEC Rated: 250V / 8A, 320V / 6A, 320V / 8A, 320V / 10A

- Vertical and parallel plug-in directions to PCB are available
- Compact double-level plug for high connection density
- Type of locking includes screw flange, lock flange and release tool
- THR version socket is available, pin length 2.6mm (The last suffix "L" represents THR version.)

| 2.50mm | | 0288-1AXX | | 0288-1DXX | | 2.54mm | | 0156-1BXX-BK | | | | | | | | | | | | | | | | | | | | | | | | | | | | | | | | | | | | | | | | | | | | | | | | | | | | | | | | | | | | | | | | | | | | | | | | | | | | | | | |
|---|----------------|-----------|-----|---------------|------|--------|---------------|--------------|----|------------------------------|-------|----------|---------------------------------|--------|---------|-----------------------|--|-------|-------------------|--|----------------|---------------------|--------|---------------|------|------|---------------|--|----------------|-----------------------|-----|---------------|---------------------|--------|---------------|----|--|------------------------------|-------|---------|---------------------------------|-------|---------|-----------------------|----|-------|-----------------------|-------|-------|---------------------|--------|--|--|--|----------------|----|-----|---------------|------|------|---------------|----|----|-----------------------|--|-------|---------------------|--------|--|--|--|----------------|----|-----|---------------|------|------|---------------|----|----|-----------------------|--|-------|---------------------|--------|--|--|
| <table border="1"> <thead> <tr> <th>Technical Data</th> <th>UL</th> <th>IEC</th> </tr> </thead> <tbody> <tr> <td>Rated voltage</td> <td>150V</td> <td>320V</td> </tr> <tr> <td>Rated current</td> <td>6A</td> <td>6A</td> </tr> <tr> <td>Solid (AWG/mm²)</td> <td>26~18</td> <td>0.14~0.5</td> </tr> <tr> <td>Flexible (AWG/mm²)</td> <td>26~18</td> <td>0.2~0.5</td> </tr> <tr> <td>Rated impulse voltage</td> <td></td> <td>2.5kV</td> </tr> <tr> <td>Wire strip length</td> <td colspan="2">7~8</td> </tr> <tr> <td>Number of Positions</td> <td colspan="2">02~12P</td> </tr> </tbody> </table> | Technical Data | UL | IEC | Rated voltage | 150V | 320V | Rated current | 6A | 6A | Solid (AWG/mm ²) | 26~18 | 0.14~0.5 | Flexible (AWG/mm ²) | 26~18 | 0.2~0.5 | Rated impulse voltage | | 2.5kV | Wire strip length | 7~8 | | Number of Positions | 02~12P | | | | | <table border="1"> <thead> <tr> <th>Technical Data</th> <th>UL</th> <th>IEC</th> </tr> </thead> <tbody> <tr> <td>Rated voltage</td> <td>150V</td> <td>320V</td> </tr> <tr> <td>Rated current</td> <td>5A</td> <td>6A</td> </tr> <tr> <td>Solid (AWG/mm²)</td> <td>30~20</td> <td>0.2~0.5</td> </tr> <tr> <td>Flexible (AWG/mm²)</td> <td>30~20</td> <td>0.2~0.5</td> </tr> <tr> <td>Rated impulse voltage</td> <td></td> <td>2.5KV</td> </tr> <tr> <td>Wire strip length</td> <td colspan="2">7~8mm</td> </tr> <tr> <td>Number of Positions</td> <td colspan="2">06~44P</td> </tr> </tbody> </table> | Technical Data | UL | IEC | Rated voltage | 150V | 320V | Rated current | 5A | 6A | Solid (AWG/mm ²) | 30~20 | 0.2~0.5 | Flexible (AWG/mm ²) | 30~20 | 0.2~0.5 | Rated impulse voltage | | 2.5KV | Wire strip length | 7~8mm | | Number of Positions | 06~44P | | | <table border="1"> <thead> <tr> <th>Technical Data</th> <th>UL</th> <th>IEC</th> </tr> </thead> <tbody> <tr> <td>Rated voltage</td> <td>150V</td> <td>320V</td> </tr> <tr> <td>Rated current</td> <td>5A</td> <td>6A</td> </tr> <tr> <td>Rated impulse voltage</td> <td></td> <td>2.5KV</td> </tr> <tr> <td>Number of Positions</td> <td colspan="2">06~44P</td> </tr> </tbody> </table> | Technical Data | UL | IEC | Rated voltage | 150V | 320V | Rated current | 5A | 6A | Rated impulse voltage | | 2.5KV | Number of Positions | 06~44P | | | <table border="1"> <thead> <tr> <th>Technical Data</th> <th>UL</th> <th>IEC</th> </tr> </thead> <tbody> <tr> <td>Rated voltage</td> <td>150V</td> <td>320V</td> </tr> <tr> <td>Rated current</td> <td>5A</td> <td>6A</td> </tr> <tr> <td>Rated impulse voltage</td> <td></td> <td>2.5KV</td> </tr> <tr> <td>Number of Positions</td> <td colspan="2">06~44P</td> </tr> </tbody> </table> | Technical Data | UL | IEC | Rated voltage | 150V | 320V | Rated current | 5A | 6A | Rated impulse voltage | | 2.5KV | Number of Positions | 06~44P | | |
| Technical Data | UL | IEC | | | | | | | | | | | | | | | | | | | | | | | | | | | | | | | | | | | | | | | | | | | | | | | | | | | | | | | | | | | | | | | | | | | | | | | | | | | | | | | | | | | | | |
| Rated voltage | 150V | 320V | | | | | | | | | | | | | | | | | | | | | | | | | | | | | | | | | | | | | | | | | | | | | | | | | | | | | | | | | | | | | | | | | | | | | | | | | | | | | | | | | | | | | |
| Rated current | 6A | 6A | | | | | | | | | | | | | | | | | | | | | | | | | | | | | | | | | | | | | | | | | | | | | | | | | | | | | | | | | | | | | | | | | | | | | | | | | | | | | | | | | | | | | |
| Solid (AWG/mm ²) | 26~18 | 0.14~0.5 | | | | | | | | | | | | | | | | | | | | | | | | | | | | | | | | | | | | | | | | | | | | | | | | | | | | | | | | | | | | | | | | | | | | | | | | | | | | | | | | | | | | | |
| Flexible (AWG/mm ²) | 26~18 | 0.2~0.5 | | | | | | | | | | | | | | | | | | | | | | | | | | | | | | | | | | | | | | | | | | | | | | | | | | | | | | | | | | | | | | | | | | | | | | | | | | | | | | | | | | | | | |
| Rated impulse voltage | | 2.5kV | | | | | | | | | | | | | | | | | | | | | | | | | | | | | | | | | | | | | | | | | | | | | | | | | | | | | | | | | | | | | | | | | | | | | | | | | | | | | | | | | | | | | |
| Wire strip length | 7~8 | | | | | | | | | | | | | | | | | | | | | | | | | | | | | | | | | | | | | | | | | | | | | | | | | | | | | | | | | | | | | | | | | | | | | | | | | | | | | | | | | | | | | | |
| Number of Positions | 02~12P | | | | | | | | | | | | | | | | | | | | | | | | | | | | | | | | | | | | | | | | | | | | | | | | | | | | | | | | | | | | | | | | | | | | | | | | | | | | | | | | | | | | | | |
| Technical Data | UL | IEC | | | | | | | | | | | | | | | | | | | | | | | | | | | | | | | | | | | | | | | | | | | | | | | | | | | | | | | | | | | | | | | | | | | | | | | | | | | | | | | | | | | | | |
| Rated voltage | 150V | 320V | | | | | | | | | | | | | | | | | | | | | | | | | | | | | | | | | | | | | | | | | | | | | | | | | | | | | | | | | | | | | | | | | | | | | | | | | | | | | | | | | | | | | |
| Rated current | 5A | 6A | | | | | | | | | | | | | | | | | | | | | | | | | | | | | | | | | | | | | | | | | | | | | | | | | | | | | | | | | | | | | | | | | | | | | | | | | | | | | | | | | | | | | |
| Solid (AWG/mm ²) | 30~20 | 0.2~0.5 | | | | | | | | | | | | | | | | | | | | | | | | | | | | | | | | | | | | | | | | | | | | | | | | | | | | | | | | | | | | | | | | | | | | | | | | | | | | | | | | | | | | | |
| Flexible (AWG/mm ²) | 30~20 | 0.2~0.5 | | | | | | | | | | | | | | | | | | | | | | | | | | | | | | | | | | | | | | | | | | | | | | | | | | | | | | | | | | | | | | | | | | | | | | | | | | | | | | | | | | | | | |
| Rated impulse voltage | | 2.5KV | | | | | | | | | | | | | | | | | | | | | | | | | | | | | | | | | | | | | | | | | | | | | | | | | | | | | | | | | | | | | | | | | | | | | | | | | | | | | | | | | | | | | |
| Wire strip length | 7~8mm | | | | | | | | | | | | | | | | | | | | | | | | | | | | | | | | | | | | | | | | | | | | | | | | | | | | | | | | | | | | | | | | | | | | | | | | | | | | | | | | | | | | | | |
| Number of Positions | 06~44P | | | | | | | | | | | | | | | | | | | | | | | | | | | | | | | | | | | | | | | | | | | | | | | | | | | | | | | | | | | | | | | | | | | | | | | | | | | | | | | | | | | | | | |
| Technical Data | UL | IEC | | | | | | | | | | | | | | | | | | | | | | | | | | | | | | | | | | | | | | | | | | | | | | | | | | | | | | | | | | | | | | | | | | | | | | | | | | | | | | | | | | | | | |
| Rated voltage | 150V | 320V | | | | | | | | | | | | | | | | | | | | | | | | | | | | | | | | | | | | | | | | | | | | | | | | | | | | | | | | | | | | | | | | | | | | | | | | | | | | | | | | | | | | | |
| Rated current | 5A | 6A | | | | | | | | | | | | | | | | | | | | | | | | | | | | | | | | | | | | | | | | | | | | | | | | | | | | | | | | | | | | | | | | | | | | | | | | | | | | | | | | | | | | | |
| Rated impulse voltage | | 2.5KV | | | | | | | | | | | | | | | | | | | | | | | | | | | | | | | | | | | | | | | | | | | | | | | | | | | | | | | | | | | | | | | | | | | | | | | | | | | | | | | | | | | | | |
| Number of Positions | 06~44P | | | | | | | | | | | | | | | | | | | | | | | | | | | | | | | | | | | | | | | | | | | | | | | | | | | | | | | | | | | | | | | | | | | | | | | | | | | | | | | | | | | | | | |
| Technical Data | UL | IEC | | | | | | | | | | | | | | | | | | | | | | | | | | | | | | | | | | | | | | | | | | | | | | | | | | | | | | | | | | | | | | | | | | | | | | | | | | | | | | | | | | | | | |
| Rated voltage | 150V | 320V | | | | | | | | | | | | | | | | | | | | | | | | | | | | | | | | | | | | | | | | | | | | | | | | | | | | | | | | | | | | | | | | | | | | | | | | | | | | | | | | | | | | | |
| Rated current | 5A | 6A | | | | | | | | | | | | | | | | | | | | | | | | | | | | | | | | | | | | | | | | | | | | | | | | | | | | | | | | | | | | | | | | | | | | | | | | | | | | | | | | | | | | | |
| Rated impulse voltage | | 2.5KV | | | | | | | | | | | | | | | | | | | | | | | | | | | | | | | | | | | | | | | | | | | | | | | | | | | | | | | | | | | | | | | | | | | | | | | | | | | | | | | | | | | | | |
| Number of Positions | 06~44P | | | | | | | | | | | | | | | | | | | | | | | | | | | | | | | | | | | | | | | | | | | | | | | | | | | | | | | | | | | | | | | | | | | | | | | | | | | | | | | | | | | | | | |
| <table border="1"> <thead> <tr> <th>Technical Data</th> <th>UL</th> <th>IEC</th> </tr> </thead> <tbody> <tr> <td>Rated voltage</td> <td>150V</td> <td>320V</td> </tr> <tr> <td>Rated current</td> <td>5A</td> <td>6A</td> </tr> <tr> <td>Rated impulse voltage</td> <td></td> <td>2.5KV</td> </tr> <tr> <td>Number of Positions</td> <td colspan="2">06~44P</td> </tr> </tbody> </table> | Technical Data | UL | IEC | Rated voltage | 150V | 320V | Rated current | 5A | 6A | Rated impulse voltage | | 2.5KV | Number of Positions | 06~44P | | | | | | <table border="1"> <thead> <tr> <th>Technical Data</th> <th>UL</th> <th>IEC</th> </tr> </thead> <tbody> <tr> <td>Rated voltage</td> <td>150V</td> <td>320V</td> </tr> <tr> <td>Rated current</td> <td>5A</td> <td>6A</td> </tr> <tr> <td>Rated impulse voltage</td> <td></td> <td>2.5KV</td> </tr> <tr> <td>Number of Positions</td> <td colspan="2">06~44P</td> </tr> </tbody> </table> | Technical Data | UL | IEC | Rated voltage | 150V | 320V | Rated current | 5A | 6A | Rated impulse voltage | | 2.5KV | Number of Positions | 06~44P | | | <table border="1"> <thead> <tr> <th>Technical Data</th> <th>UL</th> <th>IEC</th> </tr> </thead> <tbody> <tr> <td>Rated voltage</td> <td>150V</td> <td>320V</td> </tr> <tr> <td>Rated current</td> <td>5A</td> <td>6A</td> </tr> <tr> <td>Rated impulse voltage</td> <td></td> <td>2.5KV</td> </tr> <tr> <td>Number of Positions</td> <td colspan="2">06~44P</td> </tr> </tbody> </table> | Technical Data | UL | IEC | Rated voltage | 150V | 320V | Rated current | 5A | 6A | Rated impulse voltage | | 2.5KV | Number of Positions | 06~44P | | | | | | | | | | | | | | | | | | | | | | | | | | | | | | | | | | | | |
| Technical Data | UL | IEC | | | | | | | | | | | | | | | | | | | | | | | | | | | | | | | | | | | | | | | | | | | | | | | | | | | | | | | | | | | | | | | | | | | | | | | | | | | | | | | | | | | | | |
| Rated voltage | 150V | 320V | | | | | | | | | | | | | | | | | | | | | | | | | | | | | | | | | | | | | | | | | | | | | | | | | | | | | | | | | | | | | | | | | | | | | | | | | | | | | | | | | | | | | |
| Rated current | 5A | 6A | | | | | | | | | | | | | | | | | | | | | | | | | | | | | | | | | | | | | | | | | | | | | | | | | | | | | | | | | | | | | | | | | | | | | | | | | | | | | | | | | | | | | |
| Rated impulse voltage | | 2.5KV | | | | | | | | | | | | | | | | | | | | | | | | | | | | | | | | | | | | | | | | | | | | | | | | | | | | | | | | | | | | | | | | | | | | | | | | | | | | | | | | | | | | | |
| Number of Positions | 06~44P | | | | | | | | | | | | | | | | | | | | | | | | | | | | | | | | | | | | | | | | | | | | | | | | | | | | | | | | | | | | | | | | | | | | | | | | | | | | | | | | | | | | | | |
| Technical Data | UL | IEC | | | | | | | | | | | | | | | | | | | | | | | | | | | | | | | | | | | | | | | | | | | | | | | | | | | | | | | | | | | | | | | | | | | | | | | | | | | | | | | | | | | | | |
| Rated voltage | 150V | 320V | | | | | | | | | | | | | | | | | | | | | | | | | | | | | | | | | | | | | | | | | | | | | | | | | | | | | | | | | | | | | | | | | | | | | | | | | | | | | | | | | | | | | |
| Rated current | 5A | 6A | | | | | | | | | | | | | | | | | | | | | | | | | | | | | | | | | | | | | | | | | | | | | | | | | | | | | | | | | | | | | | | | | | | | | | | | | | | | | | | | | | | | | |
| Rated impulse voltage | | 2.5KV | | | | | | | | | | | | | | | | | | | | | | | | | | | | | | | | | | | | | | | | | | | | | | | | | | | | | | | | | | | | | | | | | | | | | | | | | | | | | | | | | | | | | |
| Number of Positions | 06~44P | | | | | | | | | | | | | | | | | | | | | | | | | | | | | | | | | | | | | | | | | | | | | | | | | | | | | | | | | | | | | | | | | | | | | | | | | | | | | | | | | | | | | | |
| Technical Data | UL | IEC | | | | | | | | | | | | | | | | | | | | | | | | | | | | | | | | | | | | | | | | | | | | | | | | | | | | | | | | | | | | | | | | | | | | | | | | | | | | | | | | | | | | | |
| Rated voltage | 150V | 320V | | | | | | | | | | | | | | | | | | | | | | | | | | | | | | | | | | | | | | | | | | | | | | | | | | | | | | | | | | | | | | | | | | | | | | | | | | | | | | | | | | | | | |
| Rated current | 5A | 6A | | | | | | | | | | | | | | | | | | | | | | | | | | | | | | | | | | | | | | | | | | | | | | | | | | | | | | | | | | | | | | | | | | | | | | | | | | | | | | | | | | | | | |
| Rated impulse voltage | | 2.5KV | | | | | | | | | | | | | | | | | | | | | | | | | | | | | | | | | | | | | | | | | | | | | | | | | | | | | | | | | | | | | | | | | | | | | | | | | | | | | | | | | | | | | |
| Number of Positions | 06~44P | | | | | | | | | | | | | | | | | | | | | | | | | | | | | | | | | | | | | | | | | | | | | | | | | | | | | | | | | | | | | | | | | | | | | | | | | | | | | | | | | | | | | | |
| <table border="1"> <thead> <tr> <th>Technical Data</th> <th>UL</th> <th>IEC</th> </tr> </thead> <tbody> <tr> <td>Rated voltage</td> <td>150V</td> <td>320V</td> </tr> <tr> <td>Rated current</td> <td>5A</td> <td>6A</td> </tr> <tr> <td>Rated impulse voltage</td> <td></td> <td>2.5KV</td> </tr> <tr> <td>Number of Positions</td> <td colspan="2">06~44P</td> </tr> </tbody> </table> | Technical Data | UL | IEC | Rated voltage | 150V | 320V | Rated current | 5A | 6A | Rated impulse voltage | | 2.5KV | Number of Positions | 06~44P | | | | | | <table border="1"> <thead> <tr> <th>Technical Data</th> <th>UL</th> <th>IEC</th> </tr> </thead> <tbody> <tr> <td>Rated voltage</td> <td>150V</td> <td>320V</td> </tr> <tr> <td>Rated current</td> <td>5A</td> <td>6A</td> </tr> <tr> <td>Rated impulse voltage</td> <td></td> <td>2.5KV</td> </tr> <tr> <td>Number of Positions</td> <td colspan="2">06~44P</td> </tr> </tbody> </table> | Technical Data | UL | IEC | Rated voltage | 150V | 320V | Rated current | 5A | 6A | Rated impulse voltage | | 2.5KV | Number of Positions | 06~44P | | | <table border="1"> <thead> <tr> <th>Technical Data</th> <th>UL</th> <th>IEC</th> </tr> </thead> <tbody> <tr> <td>Rated voltage</td> <td>150V</td> <td>320V</td> </tr> <tr> <td>Rated current</td> <td>5A</td> <td>6A</td> </tr> <tr> <td>Rated impulse voltage</td> <td></td> <td>2.5KV</td> </tr> <tr> <td>Number of Positions</td> <td colspan="2">06~44P</td> </tr> </tbody> </table> | Technical Data | UL | IEC | Rated voltage | 150V | 320V | Rated current | 5A | 6A | Rated impulse voltage | | 2.5KV | Number of Positions | 06~44P | | | | | | | | | | | | | | | | | | | | | | | | | | | | | | | | | | | | |
| Technical Data | UL | IEC | | | | | | | | | | | | | | | | | | | | | | | | | | | | | | | | | | | | | | | | | | | | | | | | | | | | | | | | | | | | | | | | | | | | | | | | | | | | | | | | | | | | | |
| Rated voltage | 150V | 320V | | | | | | | | | | | | | | | | | | | | | | | | | | | | | | | | | | | | | | | | | | | | | | | | | | | | | | | | | | | | | | | | | | | | | | | | | | | | | | | | | | | | | |
| Rated current | 5A | 6A | | | | | | | | | | | | | | | | | | | | | | | | | | | | | | | | | | | | | | | | | | | | | | | | | | | | | | | | | | | | | | | | | | | | | | | | | | | | | | | | | | | | | |
| Rated impulse voltage | | 2.5KV | | | | | | | | | | | | | | | | | | | | | | | | | | | | | | | | | | | | | | | | | | | | | | | | | | | | | | | | | | | | | | | | | | | | | | | | | | | | | | | | | | | | | |
| Number of Positions | 06~44P | | | | | | | | | | | | | | | | | | | | | | | | | | | | | | | | | | | | | | | | | | | | | | | | | | | | | | | | | | | | | | | | | | | | | | | | | | | | | | | | | | | | | | |
| Technical Data | UL | IEC | | | | | | | | | | | | | | | | | | | | | | | | | | | | | | | | | | | | | | | | | | | | | | | | | | | | | | | | | | | | | | | | | | | | | | | | | | | | | | | | | | | | | |
| Rated voltage | 150V | 320V | | | | | | | | | | | | | | | | | | | | | | | | | | | | | | | | | | | | | | | | | | | | | | | | | | | | | | | | | | | | | | | | | | | | | | | | | | | | | | | | | | | | | |
| Rated current | 5A | 6A | | | | | | | | | | | | | | | | | | | | | | | | | | | | | | | | | | | | | | | | | | | | | | | | | | | | | | | | | | | | | | | | | | | | | | | | | | | | | | | | | | | | | |
| Rated impulse voltage | | 2.5KV | | | | | | | | | | | | | | | | | | | | | | | | | | | | | | | | | | | | | | | | | | | | | | | | | | | | | | | | | | | | | | | | | | | | | | | | | | | | | | | | | | | | | |
| Number of Positions | 06~44P | | | | | | | | | | | | | | | | | | | | | | | | | | | | | | | | | | | | | | | | | | | | | | | | | | | | | | | | | | | | | | | | | | | | | | | | | | | | | | | | | | | | | | |
| Technical Data | UL | IEC | | | | | | | | | | | | | | | | | | | | | | | | | | | | | | | | | | | | | | | | | | | | | | | | | | | | | | | | | | | | | | | | | | | | | | | | | | | | | | | | | | | | | |
| Rated voltage | 150V | 320V | | | | | | | | | | | | | | | | | | | | | | | | | | | | | | | | | | | | | | | | | | | | | | | | | | | | | | | | | | | | | | | | | | | | | | | | | | | | | | | | | | | | | |
| Rated current | 5A | 6A | | | | | | | | | | | | | | | | | | | | | | | | | | | | | | | | | | | | | | | | | | | | | | | | | | | | | | | | | | | | | | | | | | | | | | | | | | | | | | | | | | | | | |
| Rated impulse voltage | | 2.5KV | | | | | | | | | | | | | | | | | | | | | | | | | | | | | | | | | | | | | | | | | | | | | | | | | | | | | | | | | | | | | | | | | | | | | | | | | | | | | | | | | | | | | |
| Number of Positions | 06~44P | | | | | | | | | | | | | | | | | | | | | | | | | | | | | | | | | | | | | | | | | | | | | | | | | | | | | | | | | | | | | | | | | | | | | | | | | | | | | | | | | | | | | | |

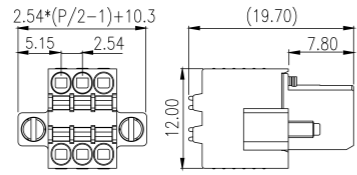
For THR products, Surge voltage category/pollution degree III/2 II/2
Rated voltage 160 160

2.54mm

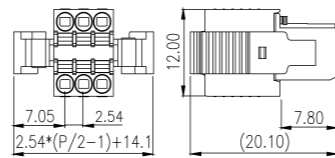
0156-1AXX-BK



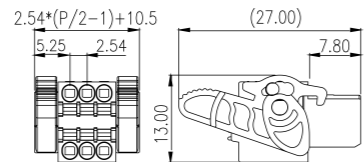
| Technical Data | UL | IEC |
|---------------------------------|--------|---------|
| Rated voltage | 150V | 320V |
| Rated current | 5A | 6A |
| Solid (AWG/mm ²) | 30-20 | 0.2-0.5 |
| Flexible (AWG/mm ²) | 30-20 | 0.2-0.5 |
| Rated impulse voltage | 2.5KV | |
| Wire strip length | 7-8mm | |
| Number of Positions | | |
| 0156-1AXX-BK | 04-44P | |
| 0156-1DXX-BK | 04-44P | |
| 0156-1CXX-BK | 06-44P | |



0156-1CXX-BK



0156-1DXX-BK



2.54mm

0156-17XX (0156-17XXL)



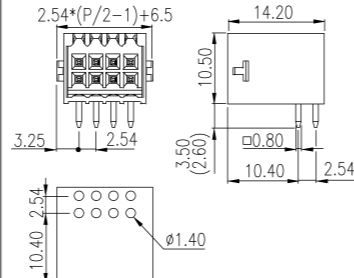
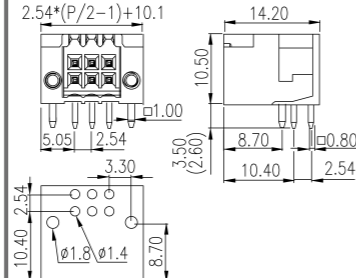
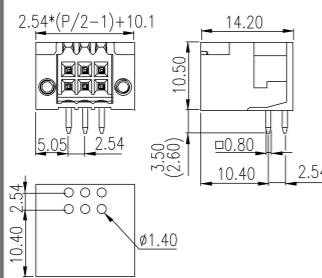
0156-18XX (0156-18XXL)



0156-19XX (0156-19XXL)



| Technical Data | UL | IEC |
|-----------------------|--------|------|
| Rated voltage | 150V | 320V |
| Rated current | 5A | 6A |
| Rated impulse voltage | 2.5KV | |
| Number of Positions | | |
| 0156-13XX | 04-44P | |
| 0156-13XXL | 04-44P | |
| 0156-18XX | 06-44P | |
| 0156-18XXL | 06-44P | |
| 0156-12XX | 06-44P | |
| 0156-12XXL | 06-44P | |
| 0156-16XX | 06-44P | |
| 0156-16XXL | 06-44P | |
| 0156-17XX | 06-44P | |
| 0156-17XXL | 06-44P | |
| 0156-19XX | 06-44P | |
| 0156-19XXL | 06-44P | |



For THR products,
Surge voltage category/pollution degree
III/2 II/2

Rated voltage
160 160

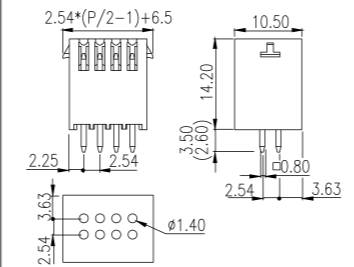
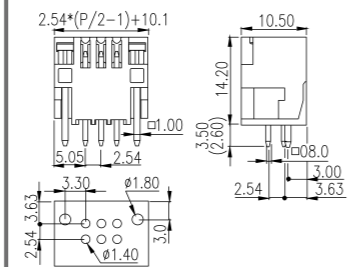
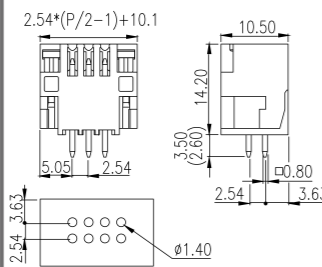
0156-12XX (0156-12XXL)



0156-13XX (0156-13XXL)



0156-16XX (0156-16XXL)

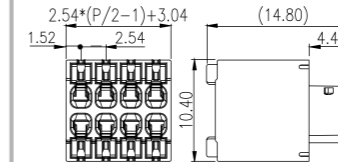


2.54mm

0157-1BXX



| Technical Data | UL | IEC |
|---------------------------------|-------|---------|
| Rated voltage | 150V | 160V |
| Rated current | 6A | 6A |
| Solid (AWG/mm ²) | 26-18 | 0.2-0.5 |
| Flexible (AWG/mm ²) | 26-18 | 0.2-0.5 |
| Rated impulse voltage | 2.5KV | |
| Wire strip length | 7-8mm | |
| Number of Positions | | |
| 04-32P | | |

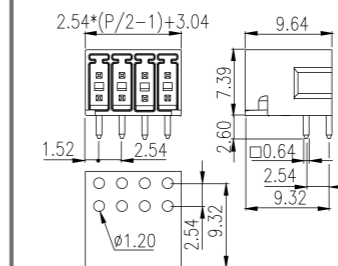


2.54mm

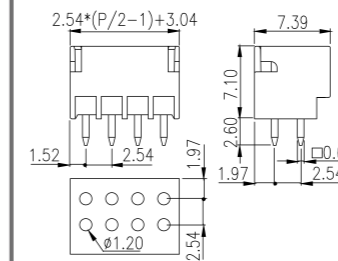
0157-15XXL



| Technical Data | UL | IEC |
|-----------------------|-------|------|
| Rated voltage | 150V | 160V |
| Rated current | 6A | 6A |
| Rated impulse voltage | 2.5KV | |
| Number of Positions | | |
| 04-32P | | |



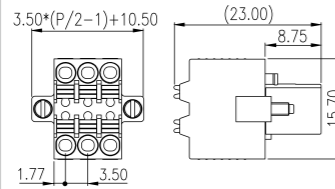
0157-10XXL



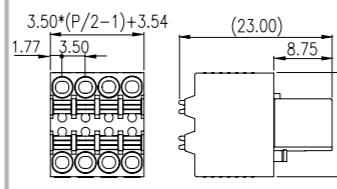
3.50mm

| Technical Data | | UL | IEC |
|---------------------------------|--|--------|---------|
| Rated voltage | | 150V | 320V |
| 0156-2AXX-BK | | | |
| 0156-2BXX-BK | | | |
| 0156-2CXX-BK | | | |
| 0156-2DXX-BK | | | |
| 0156-9BXX | | 300V | |
| 0156-9CXX | | | |
| Rated current | | 8A | 10A |
| 0156-2AXX-BK | | | |
| 0156-2BXX-BK | | | |
| 0156-2CXX-BK | | | |
| 0156-2DXX-BK | | | |
| 0156-9BXX | | 10A | |
| 0156-9CXX | | | |
| Solid (AWG/mm ²) | | 28-16 | 0.2-1.0 |
| Flexible (AWG/mm ²) | | 28-16 | 0.2-1.5 |
| Rated impulse voltage | | 2.5KV | |
| Wire strip length | | 8-9mm | |
| Number of Positions | | | |
| 0156-2AXX-BK | | 04-40P | |
| 0156-2CXX-BK | | | |
| 0156-2DXX-BK | | | |
| 0156-9CXX | | | |
| 0156-2BXX-BK | | | |
| 0156-9BXX | | 04-44P | |

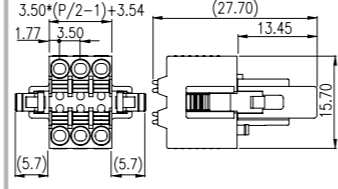
0156-2AXX-BK



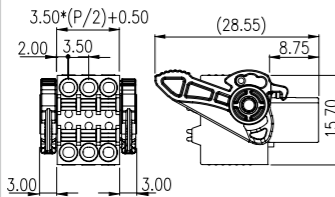
0156-2BXX-BK



0156-2CXX-BK



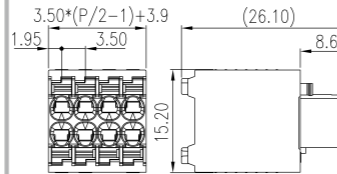
0156-2DXX-BK



0156-9BXX



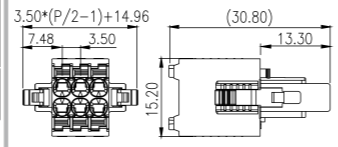
Wire strip length: 11-12mm



0156-9CXX



Wire strip length: 11-12mm



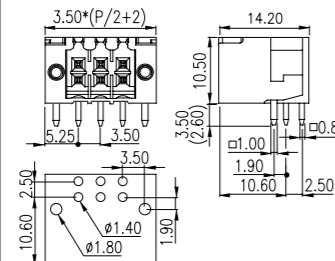
3.50mm

| Technical Data | | UL | IEC |
|-----------------------|--|--------|------|
| Rated voltage | | 150V | 320V |
| Rated current | | 10A | 10A |
| Rated impulse voltage | | 2.5KV | |
| Number of Positions | | | |
| 0156-21XX-BK | | 04-40P | |
| 0156-21XXL | | | |
| 0156-24XX-BK | | | |
| 0156-24XXL | | | |
| 0156-26XX-BK | | | |
| 0156-26XXL | | 04-44P | |
| 0156-29XX-BK | | | |
| 0156-29XXL | | | |
| 0156-20XX-BK | | | |
| 0156-20XXL | | | |
| 0156-25XX-BK | | | |
| 0156-25XXL | | | |

0156-26XX-BK (0156-26XXL)



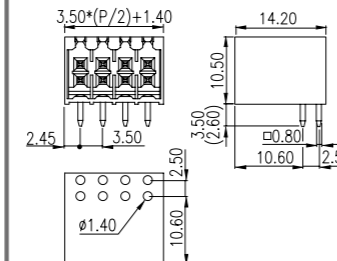
with support pins



0156-25XX-BK (0156-25XXL)



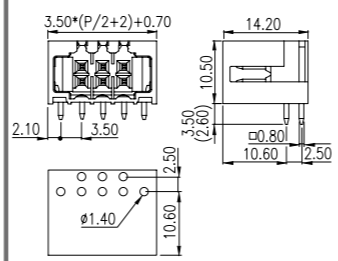
with support pins



0156-29XX-BK (0156-29XXL)



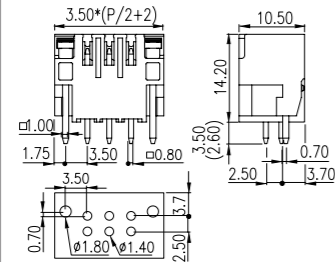
with support pins



0156-21XX-BK (0156-21XXL)



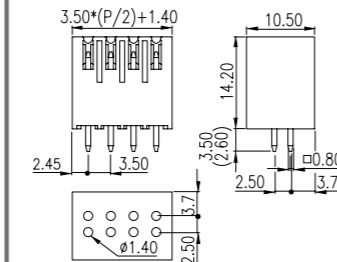
with support pins



0156-20XX-BK (0156-20XXL)



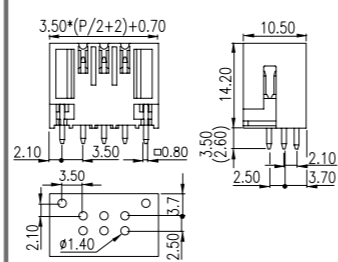
with support pins



0156-24XX-BK (0156-24XXL)



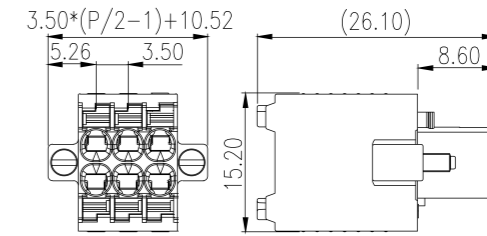
with support pins



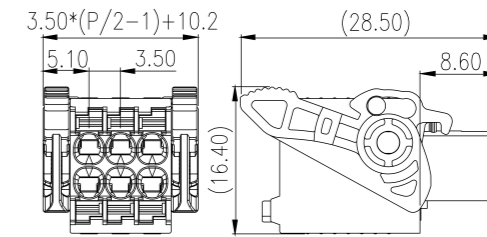
3.50mm

| Technical Data | | UL | IEC |
|---------------------------------|--|---------|---------|
| Rated voltage | | 300V | 320V |
| Rated current | | 10A | 10A |
| Solid (AWG/mm ²) | | 26-16 | 0.2-1.5 |
| Flexible (AWG/mm ²) | | 26-16 | 0.2-1.5 |
| Rated impulse voltage | | 2.5KV | |
| Wire strip length | | 11-12mm | |
| Number of Positions | | 04-40P | |

0156-9AXX



0156-9DXX



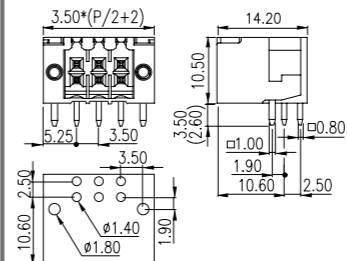
3.50mm

| Technical Data | | UL | IEC |
|-----------------------|--|--------|------|
| Rated voltage | | 150V | 320V |
| Rated current | | 10A | 10A |
| Rated impulse voltage | | 2.5KV | |
| Number of Positions | | 04-40P | |

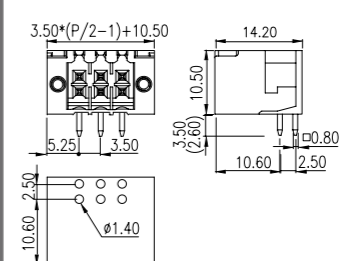
0156-26XX-BK (0156-26XXL)



with support pins



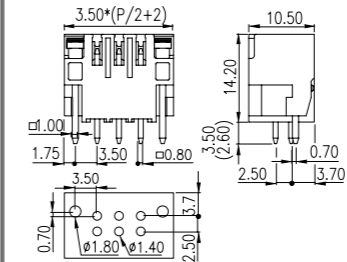
0156-27XX-BK (0156-27XXL)



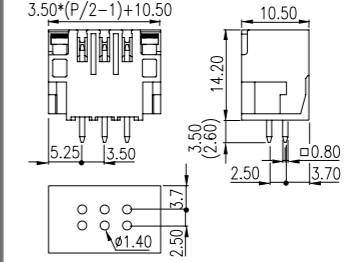
0156-21XX-BK (0156-21XXL)



with support pins



0156-22XX-BK (0156-22XXL)

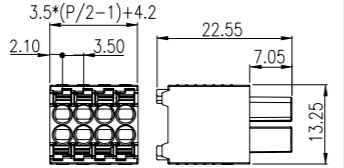
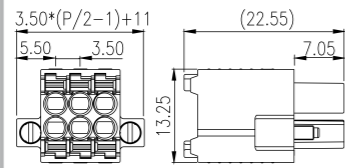


3.50mm

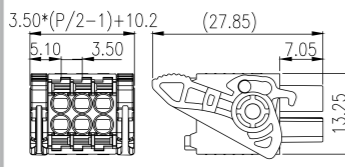
0159-01XX

0159-03XX

| Technical Data | UL | IEC |
|---------------------------------|--------|---------|
| Rated voltage | 300V | 320V |
| Rated current | 10A | 8A |
| Solid (AWG/mm ²) | 24~16 | 0.2~1.5 |
| Flexible (AWG/mm ²) | 24~16 | 0.2~1.5 |
| Rated impulse voltage | 2.5KV | |
| Wire strip length | 9~10mm | |
| Number of Positions | | |
| 04~40P | | |



0159-04XX



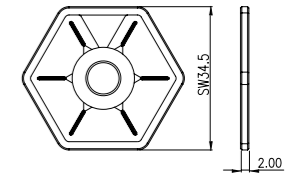
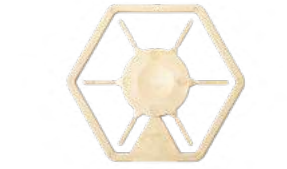
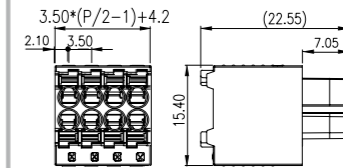
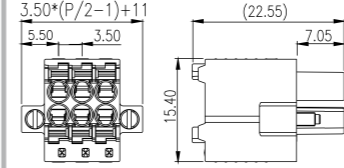
3.50mm

0159-05XX

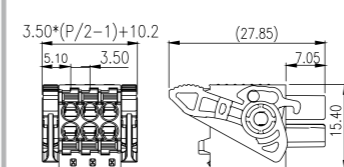
0159-07XX

0159K1L

| Technical Data | UL | IEC |
|---------------------------------|--------|---------|
| Rated voltage | 300V | 320V |
| Rated current | 8A | 8A |
| Solid (AWG/mm ²) | 24~16 | 0.2~1.5 |
| Flexible (AWG/mm ²) | 24~16 | 0.2~1.5 |
| Rated impulse voltage | 2.5KV | |
| Wire strip length | 9~10mm | |
| 0159-07XX | 8A | 8A |
| Number of Positions | | |
| 04~40P | | |



0159-08XX

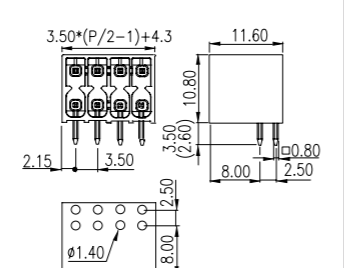
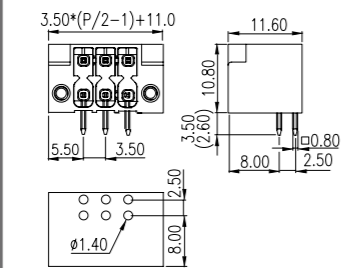


3.50mm

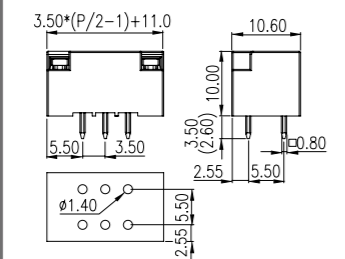
0159-11XX (0159-11XXL)

0159-31XX (0159-31XXL)

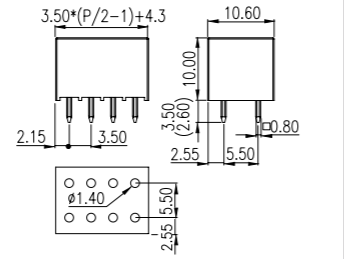
| Technical Data | UL | IEC |
|-----------------------|-------|------|
| Rated voltage | 300V | 320V |
| Rated current | 8A | 8A |
| Rated impulse voltage | 2.5KV | |
| Number of Positions | | |
| 04~40P | | |



0159-12XX (0159-12XXL)



0159-32XX (0159-32XXL)

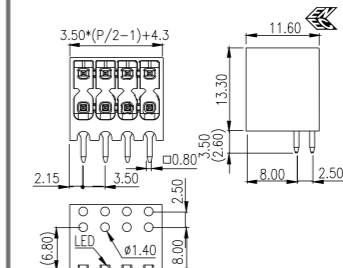
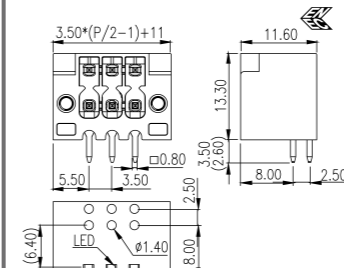


3.50mm

0159-13XX (0159-13XXL)

0159-33XX (0159-33XXL)

| Technical Data | UL | IEC |
|-----------------------|-------|------|
| Rated voltage | 300V | 320V |
| Rated current | 8A | 8A |
| Rated impulse voltage | 2.5KV | |
| Number of Positions | | |
| 04~40P | | |



PID Plugs & Sockets - Slim Type



Connection method:

Push-in connection

Pitch: 3.50mm /

5.00mm /

5.08mm

UL Rated: 300V / 8A ~

300V / 15A

IEC Rated: 320V / 14A ~

600V / 18A

- Double-level plug and socket

- Options with LED light pipe for indication

- Versions with screw flange and lock flange

- THR version socket is available, pin length 2.6mm (The last suffix "L" represents THR version.)

| 3.50mm | | | 0225-01XX | 0225-02XX | 0225-03XX | 0225-06XX | 0225-07XX | 0225-08XX |
|--|------|------|-------------------------|-------------------------|-------------------------|---------------------------|---------------------------|---------------------------|
| Technical Data Rated voltage Rated current Solid (AWG/mm²) Flexible (AWG/mm²) Rated impulse voltage Wire strip length Number of Positions 02-24P | UL | IEC | with light pipe | with light pipe | with light pipe | with light pipe | with light pipe | with light pipe |
| | 300V | 630V | | | | | | |
| Technical Data Rated voltage Rated current Rated impulse voltage Number of Positions 0225-13XX 0225-23XX 0225-33XX 0225-13XXL 0225-14XX 0225-14XXL 0225-23XXL 0225-24XX 0225-24XXL 0225-33XXL 0225-34XX 0225-34XXL | UL | IEC | | | | with support pins | with support pins | with support pins |
| | 300V | 630V | | | | | | |
| Technical Data Rated voltage Rated current Rated impulse voltage Number of Positions 0225-14XX 0225-24XX 0225-34XX 0225-17XX 0225-27XX 0225-37XX | UL | IEC | | | | with support pins | with support pins | with support pins |
| | 300V | 630V | | | | | | |
| ACCESSORIES | | | | | | | | |
| | | | 0225K1 | 0225K3 | 0225K2L | 0225K4L | | |
| | | | | | | | | |

5.00mm

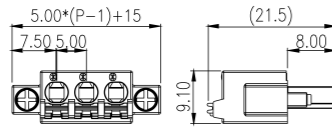
| Technical Data | UL | IEC |
|---------------------------------|-------|---------|
| Rated voltage | 300V | 630V |
| Rated current | 10A | 17.5A |
| Solid (AWG/mm ²) | 24~16 | 0.2~1.5 |
| Flexible (AWG/mm ²) | 24~16 | 0.2~1.5 |
| Rated impulse voltage | 4KV | |
| Wire strip length | 8~9mm | |
| Number of Positions | | |
| 02~16P | | |
| Accessories | | |
| 0225K1 | P24 | |
| 0225K3 | P24 | |

• The product integrates light pipe for better indication

0226-01XX



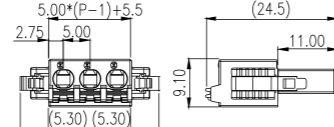
with light pipe



0226-02XX



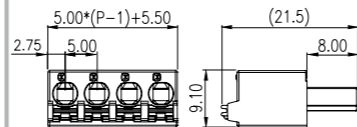
with light pipe



0226-03XX



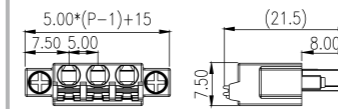
with light pipe



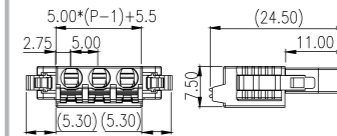
5.00mm

| Technical Data | UL | IEC |
|---------------------------------|-------|---------|
| Rated voltage | 300V | 630V |
| Rated current | 10A | 17.5A |
| Solid (AWG/mm ²) | 24~16 | 0.2~1.5 |
| Flexible (AWG/mm ²) | 24~16 | 0.2~1.5 |
| Rated impulse voltage | 4KV | |
| Wire strip length | 8~9mm | |
| Number of Positions | | |
| 02~16P | | |
| Accessories | | |
| 0225K1 | P24 | |
| 0225K3 | P24 | |

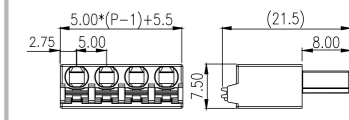
0226-06XX



0226-07XX



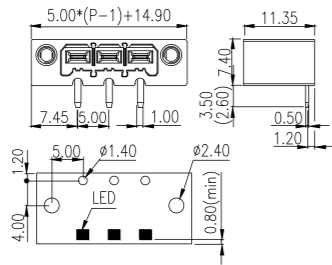
0226-08XX



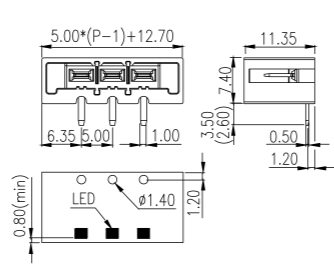
5.00mm

| Technical Data | UL | IEC |
|-----------------------|------|-------|
| Rated voltage | 300V | 630V |
| Rated current | 10A | 17.5A |
| Rated impulse voltage | 4KV | |
| Torque (N-m) | | |
| Number of Positions | | |
| 02~16P | | |
| Accessories | | |
| 0227K2L | P28 | |

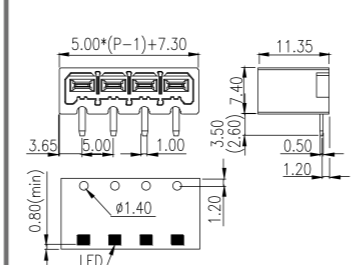
0226-13XX (0226-13XXL)



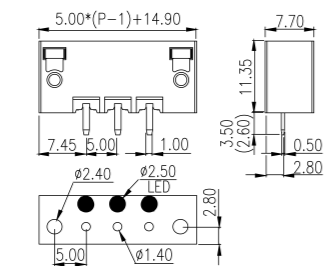
0226-23XX (0226-23XXL)



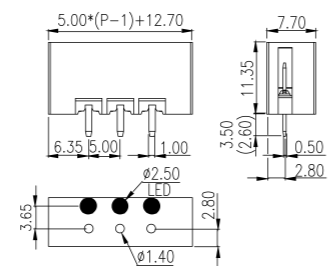
0226-33XX (0226-33XXL)



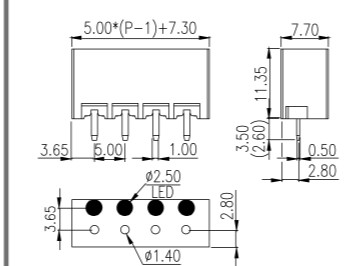
0226-14XX (0226-14XXL)



0226-24XX (0226-24XXL)



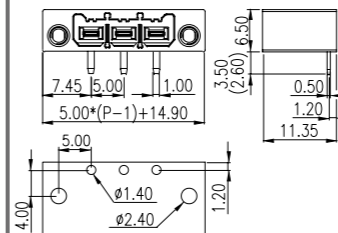
0226-34XX (0226-34XXL)



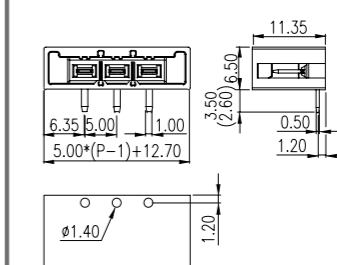
5.00mm

| Technical Data | UL | IEC |
|-----------------------|------|-------|
| Rated voltage | 300V | 630V |
| Rated current | 10A | 17.5A |
| Rated impulse voltage | 4KV | |
| Number of Positions | | |
| 02~16P | | |
| Accessories | | |
| 0225K2L | P24 | |
| 0225K4L | P24 | |

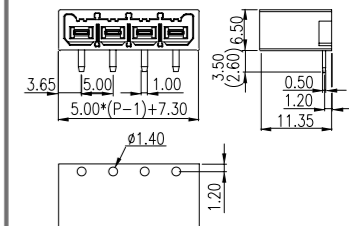
0226-16XX (0226-16XXL)



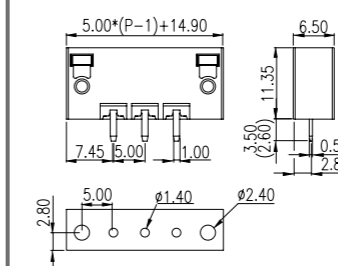
0226-26XX (0226-26XXL)



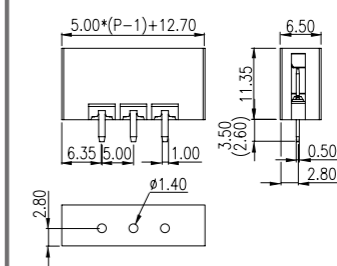
0226-36XX (0226-36XXL)



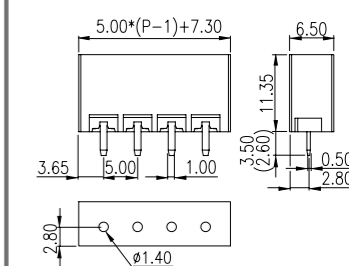
0226-17XX (0226-17XXL)







0226-27XX (0226-27XXL)







0226-37XX (0226-37XXL)









| 5.00mm | | | 0227-01XX | 0227-02XX | 0227-03XX |
|---------------------------------|---------|---------|---|---|---|
| Technical Data | UL | IEC |  |  |  |
| Rated voltage | 300V | 630V | | | |
| Rated current | 15A | 18A | | | |
| Solid (AWG/mm ²) | 26~12 | 0.2~2.5 | | | |
| Flexible (AWG/mm ²) | 26~12 | 0.2~2.5 | | | |
| Rated impulse voltage | 4KV | | | | |
| Wire strip length | 12~13mm | | | | |
| Number of Positions | | | | | |
| 0227-02XX | 02~16P | | | | |
| 0227-01XX | 02~24P | | | | |
| 0227-03XX | | | | | |
| 0227-04XX | | | | | |
| Accessories | | | | | |
| 0227K1 | P27 | | | | |





| 5.00mm | | | 0227-04XX | | |
|---------------------------------|---------|---------|---|-----------------|--------|
| Technical Data | UL | IEC |  | with light pipe | cUL US |
| Rated voltage | 300V | 630V | | | |
| Rated current | 15A | 18A | | | |
| Solid (AWG/mm ²) | 26~12 | 0.2~2.5 | | | |
| Flexible (AWG/mm ²) | 26~12 | 0.2~2.5 | | | |
| Rated impulse voltage | 4KV | | | | |
| Wire strip length | 12~13mm | | | | |
| Number of Positions | | | | | |
| 0227-04XX | 02~24P | | | | |
| Accessories | | | | | |
| 0227K1 | P27 | | | | |





| 5.00mm | | | 0227-06XX | 0227-07XX | 0227-08XX |
|---------------------------------|---------|---------|---|---|---|
| Technical Data | UL | IEC |  |  |  |
| Rated voltage | 300V | 630V | | | |
| Rated current | 15A | 18A | | | |
| Solid (AWG/mm ²) | 26~12 | 0.2~2.5 | | | |
| Flexible (AWG/mm ²) | 26~12 | 0.2~2.5 | | | |
| Rated impulse voltage | 4KV | | | | |
| Wire strip length | 12~13mm | | | | |
| Number of Positions | | | | | |
| 0227-07XX | 02~16P | | | | |
| 0227-06XX | 02~24P | | | | |
| 0227-08XX | | | | | |
| 0227-09XX | | | | | |
| Accessories | | | | | |
| 0227K1 | P27 | | | | |

| 5.00mm | | | 0227-09XX | | |
|---------------------------------|---------|---------|---|-----------------|--------|
| Technical Data | UL | IEC |  | with light pipe | cUL US |
| Rated voltage | 300V | 630V | | | |
| Rated current | 15A | 18A | | | |
| Solid (AWG/mm ²) | 26~12 | 0.2~2.5 | | | |
| Flexible (AWG/mm ²) | 26~12 | 0.2~2.5 | | | |
| Rated impulse voltage | 4KV | | | | |
| Wire strip length | 12~13mm | | | | |
| Number of Positions | | | | | |
| 0227-09XX | 02~24P | | | | |
| Accessories | | | | | |
| 0227K1 | P27 | | | | |

| 5.00mm | | | 0227-13XX (0227-13XXL) | 0227-23XX (0227-23XXL) | 0227-33XX (0227-33XXL) |
|-----------------------|---------|------|---|---|---|
| Technical Data | UL | IEC |  |  |  |
| Rated voltage | 300V | 630V | | | |
| Rated current | 15A | 18A | | | |
| Rated impulse voltage | 4KV | | | | |
| Wire strip length | 12~13mm | | | | |
| Number of Positions | | | | | |
| 0227-13XX | 02~16P | | | | |
| 0227-13XXL | 02~24P | | | | |
| 0227-23XX | | | | | |
| 0227-33XX | | | | | |
| 0227-24XX | 02~24P | | | | |
| 0227-24XXL | | | | | |
| 0227-33XXL | | | | | |
| 0227-14XX | 02~24P | | | | |
| 0227-14XXL | | | | | |
| 0227-34XX | | | | | |
| 0227-34XXL | 02~24P | | | | |
| 0227-34XXL | | | | | |
| 0227-34XXL | | | | | |
| Accessories | | | | | |
| 0227K2L | P28 | | | | |

| 5.00mm | | | 0227-16XX (0227-16XXL) | 0227-26XX (0227-26XXL) | 0227-36XX (0227-36XXL) |
|-----------------------|---------|------|---|---|---|
| Technical Data | UL | IEC |  |  |  |
| Rated voltage | 300V | 630V | | | |
| Rated current | 15A | 18A | | | |
| Rated impulse voltage | 4KV | | | | |
| Wire strip length | 12~13mm | | | | |
| Number of Positions | | | | | |
| 0227-26XX | 02~16P | | | | |
| 0227-26XXL | 02~24P | | | | |
| 0227-27XX | | | | | |
| 0227-27XXL | | | | | |
| 0227-16XX | 02~24P | | | | |
| 0227-16XXL | | | | | |
| 0227-17XX | | | | | |
| 0227-17XXL | 02~24P | | | | |
| 0227-36XX | | | | | |
| 0227-36XXL | | | | | |
| 0227-37XX | 02~24P | | | | |
| 0227-37XXL | | | | | |
| 0227-37XXL | | | | | |
| Accessories | | | | | |
| 0227K2L | P28 | | | | |

| 0227K1 | | | 0227-14XX (0227-14XXL) | 0227-24XX (0227-24XXL) | 0227-34XX (0227-34XXL) | | | |
|---|--|--|---|---|---|--|--|--|
|  | | |  |  |  | | | |
| with support pins | | | | | | | | |
| cUL US | | | | | | | | |
| Technical Data | | | | | | | | |
| Rated voltage | | | | | | | | |
| Rated current | | | | | | | | |
| Rated impulse voltage | | | | | | | | |
| Wire strip length | | | | | | | | |
| Number of Positions | | | | | | | | |
| 02~24P | | | | | | | | |
| Accessories | | | | | | | | |
| P28 | | | | | | | | |

| 0227K2L | | | 0227-17XX (0227-17XXL) | 0227-27XX (0227-27XXL) | 0227-37XX (0227-37XXL) | | | |
|---|--|--|---|---|---|--|--|--|
|  | | |  |  |  | | | |
| with support pins | | | | | | | | |
| cUL US | | | | | | | | |
| Technical Data | | | | | | | | |
| Rated voltage | | | | | | | | |
| Rated current | | | | | | | | |
| Rated impulse voltage | | | | | | | | |
| Wire strip length | | | | | | | | |
| Number of Positions | | | | | | | | |
| 02~24P | | | | | | | | |
| Accessories | | | | | | | | |
| P28 | | | | | | | | |

5.08mm

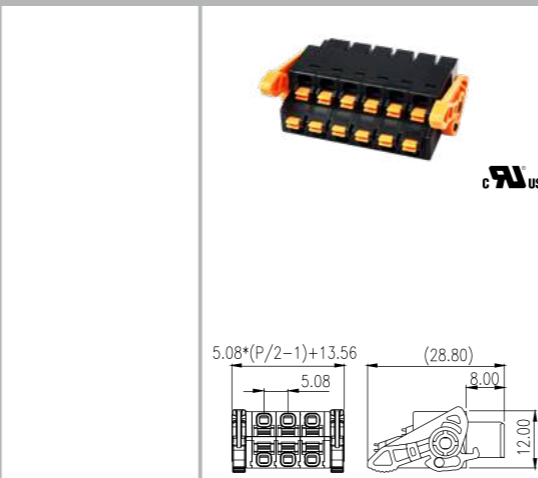
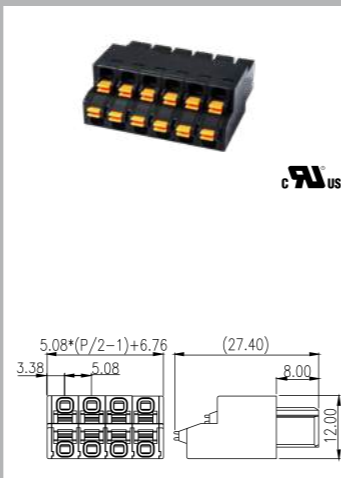
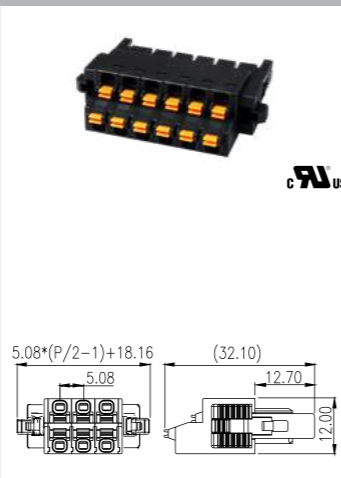
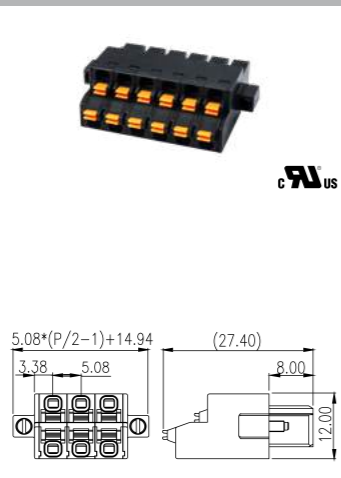
0225-04XX

0225-05XX

0225-09XX

0225-0AXX

| | | |
|---------------------------------|--------|---------|
| Technical Data | UL | IEC |
| Rated voltage | 300V | 320V |
| Rated current | | |
| 0225-04XX | 8A | 14A |
| 0225-05XX | | |
| 0225-09XX | | |
| 0225-0AXX | | |
| 0229-F4XX | | |
| 0229-F5XX | 12A | |
| 0229-F9XX | | |
| 0229-FAXX | | |
| Solid (AWG/mm ²) | 28~16 | 0.2~1.5 |
| Flexible (AWG/mm ²) | 28~16 | 0.2~1.5 |
| Rated impulse voltage | 4KV | |
| Wire strip length | 8~9mm | |
| Number of Positions | | |
| 0225-04XX | 04~40P | |
| 0225-05XX | | |
| 0225-09XX | | |
| 0225-0AXX | | |
| 0229-F4XX | | |
| 0229-F5XX | | |
| 0229-F9XX | | |
| 0229-FAXX | | |

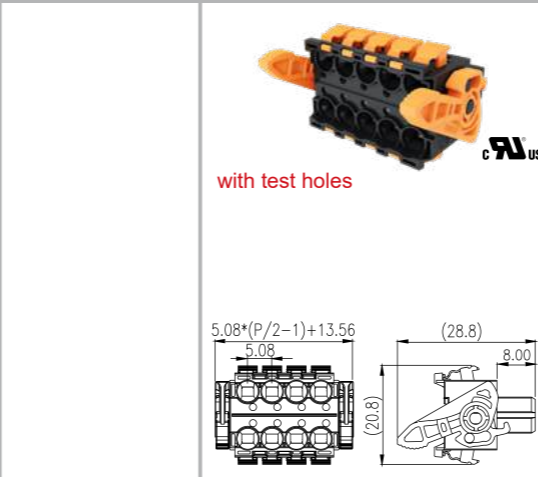
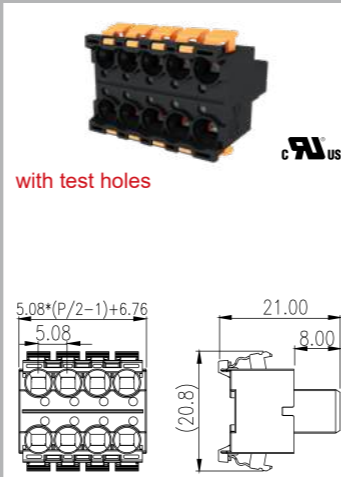
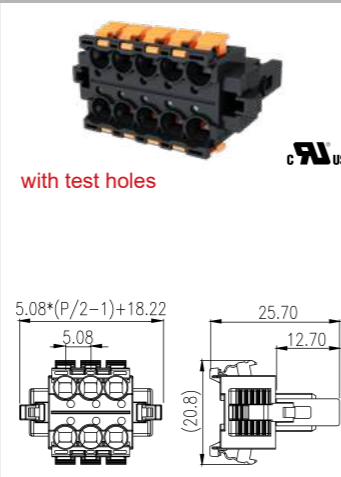
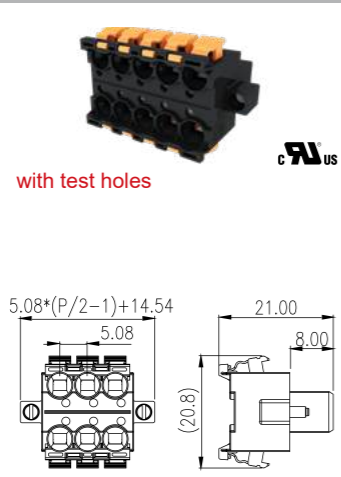


0229-F4XX

0229-F5XX

0229-F9XX

0229-FAXX



5.08mm

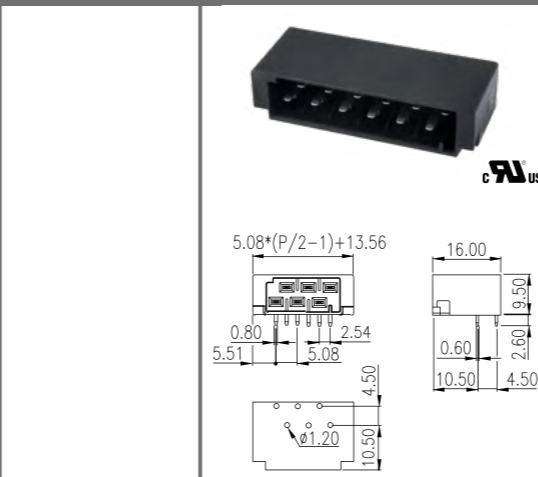
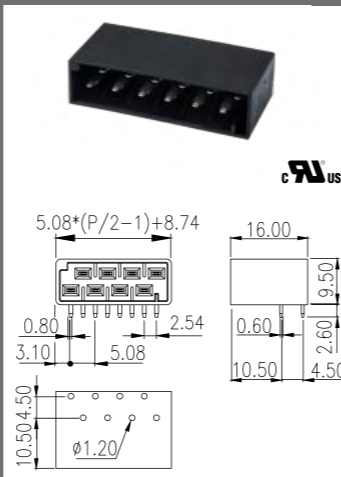
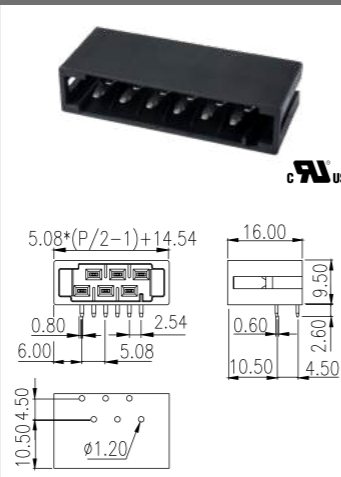
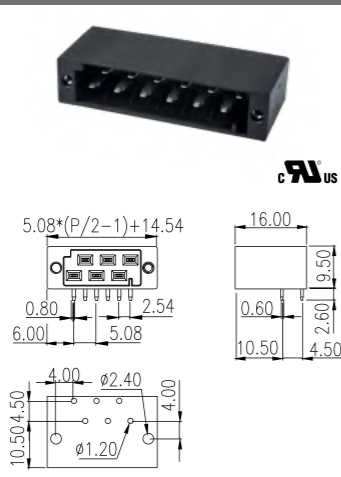
0225-46XX

0225-56XX

0225-66XX

0225-76XX

| | | |
|-----------------------|--------|------|
| Technical Data | UL | IEC |
| Rated voltage | 300V | 320V |
| Rated current | 12A | 14A |
| Rated impulse voltage | 4KV | |
| Number of Positions | | |
| 0225-46XX | 04~40P | |
| 0225-47XX | | |
| 0225-56XX | | |
| 0225-57XX | | |
| 0225-66XX | | |
| 0225-67XX | | |
| 0225-76XX | | |
| 0225-77XX | | |

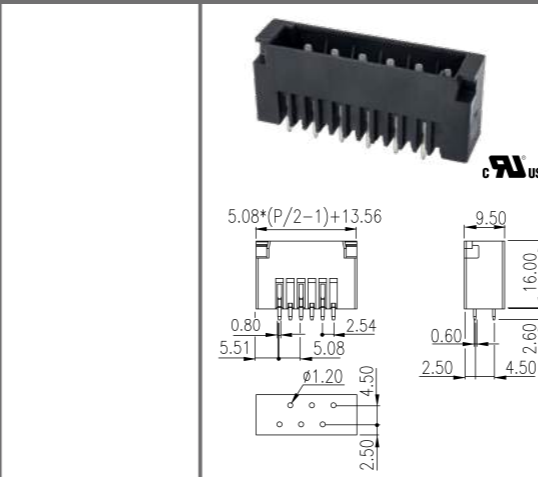
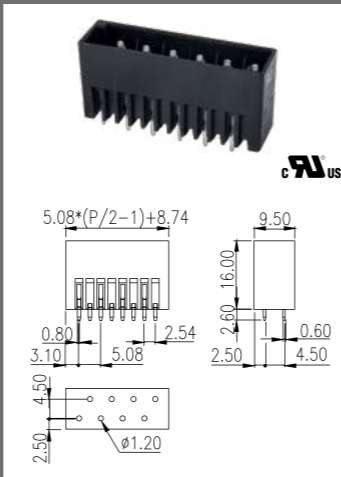
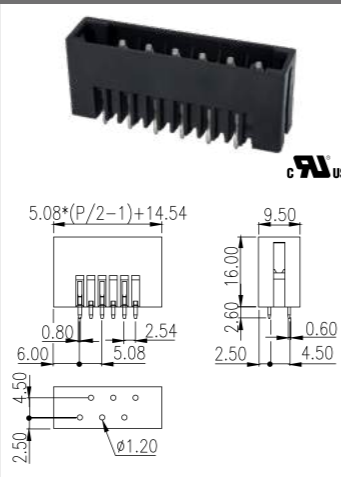
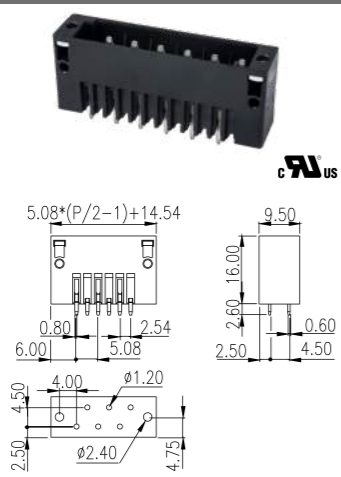


0225-47XX

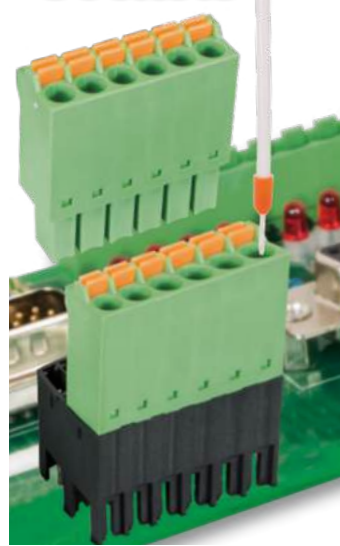
0225-57XX

0225-67XX

0225-77XX



PID Plugs & Sockets



Connection method:
Push-in connection

Pitch:
3.50mm / 3.81mm /
5.00mm / 5.08mm

UL Rated:
300V / 8A ~ 300V / 10A
IEC Rated:
320V / 8A ~ 600V / 18A


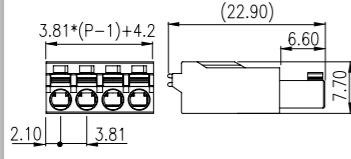
- Push-in connection
single level plug, single,
double and triple row
socket
- Space saving flat
design plug, only 7.7mm
in height
- With testing hole
suitable for 1mm Ø test
probe
- The pin length for wave
soldering socket is
3.50mm
- Through-hole reflow
(THR) version socket is
available, standard pin
length 2.6mm
(The last suffix "L"
represents THR version.)

| 3.50mm | | 0221-20XX | 0221-21XX | 0221-24XX | 0221-28XX | 0221-29XX | | | | | | | | | | | | | | | | | | | | | | | | | | | | | | | | | | | | | | | | | | | | | | | | | | | | | | | | | | | | | | | | | | | | | | | | | | | | | | | | | | | | | |
|--|--------|---|------------------------------|---|------------------------------|---|---------------------------------|---|-----|----|------------------------------|-------|---------|---------------------------------|-------|---------|-----------------------|--------|-------|-------------------|--------|--|---------------------|--|--|---------------|--------|--|--------------|--|--|---------------|--------|--|--------------|--|--|---------------|--|--|--------------|--------|--|------------|--|--|------------|--|--|------------|--|--|------------|--|--|------------|--|--|--------------|--------|--|------------|--|--|--------------|--|--|------------|--|--|--------------|--|--|------------|--|--|-------------|--|--|-------|-----|--|--------|-----|--|--|--|--|--|--|--|
| <table border="1"> <tr><td>Technical Data</td><td>UL</td><td>IEC</td></tr> <tr><td>Rated voltage</td><td>300V</td><td>320V</td></tr> <tr><td>Rated current</td><td>8A</td><td>8A</td></tr> <tr><td>Solid (AWG/mm²)</td><td>24~16</td><td>0.2~1.5</td></tr> <tr><td>Flexible (AWG/mm²)</td><td>24~16</td><td>0.2~1.5</td></tr> <tr><td>Rated impulse voltage</td><td></td><td>2.5KV</td></tr> <tr><td>Wire strip length</td><td colspan="2">8~10mm</td></tr> <tr><td colspan="3">Number of Positions</td></tr> <tr><td>0221-21XX</td><td colspan="2">02~18P</td></tr> <tr><td>0221-20XX</td><td colspan="2"></td></tr> <tr><td>0221-24XX</td><td colspan="2">02~20P</td></tr> <tr><td>0221-28XX</td><td colspan="2"></td></tr> <tr><td>0221-29XX</td><td colspan="2"></td></tr> </table> | | Technical Data | UL | IEC | Rated voltage | 300V | 320V | Rated current | 8A | 8A | Solid (AWG/mm ²) | 24~16 | 0.2~1.5 | Flexible (AWG/mm ²) | 24~16 | 0.2~1.5 | Rated impulse voltage | | 2.5KV | Wire strip length | 8~10mm | | Number of Positions | | | 0221-21XX | 02~18P | | 0221-20XX | | | 0221-24XX | 02~20P | | 0221-28XX | | | 0221-29XX | | | | | | | | | | | | | | | | | | | | | | | | | | | | | | | | | | | | | | | | | | | | | | | | | | | | | |
| Technical Data | UL | IEC | | | | | | | | | | | | | | | | | | | | | | | | | | | | | | | | | | | | | | | | | | | | | | | | | | | | | | | | | | | | | | | | | | | | | | | | | | | | | | | | | | | | | | | | | |
| Rated voltage | 300V | 320V | | | | | | | | | | | | | | | | | | | | | | | | | | | | | | | | | | | | | | | | | | | | | | | | | | | | | | | | | | | | | | | | | | | | | | | | | | | | | | | | | | | | | | | | | |
| Rated current | 8A | 8A | | | | | | | | | | | | | | | | | | | | | | | | | | | | | | | | | | | | | | | | | | | | | | | | | | | | | | | | | | | | | | | | | | | | | | | | | | | | | | | | | | | | | | | | | |
| Solid (AWG/mm ²) | 24~16 | 0.2~1.5 | | | | | | | | | | | | | | | | | | | | | | | | | | | | | | | | | | | | | | | | | | | | | | | | | | | | | | | | | | | | | | | | | | | | | | | | | | | | | | | | | | | | | | | | | |
| Flexible (AWG/mm ²) | 24~16 | 0.2~1.5 | | | | | | | | | | | | | | | | | | | | | | | | | | | | | | | | | | | | | | | | | | | | | | | | | | | | | | | | | | | | | | | | | | | | | | | | | | | | | | | | | | | | | | | | | |
| Rated impulse voltage | | 2.5KV | | | | | | | | | | | | | | | | | | | | | | | | | | | | | | | | | | | | | | | | | | | | | | | | | | | | | | | | | | | | | | | | | | | | | | | | | | | | | | | | | | | | | | | | | |
| Wire strip length | 8~10mm | | | | | | | | | | | | | | | | | | | | | | | | | | | | | | | | | | | | | | | | | | | | | | | | | | | | | | | | | | | | | | | | | | | | | | | | | | | | | | | | | | | | | | | | | | |
| Number of Positions | | | | | | | | | | | | | | | | | | | | | | | | | | | | | | | | | | | | | | | | | | | | | | | | | | | | | | | | | | | | | | | | | | | | | | | | | | | | | | | | | | | | | | | | | | | |
| 0221-21XX | 02~18P | | | | | | | | | | | | | | | | | | | | | | | | | | | | | | | | | | | | | | | | | | | | | | | | | | | | | | | | | | | | | | | | | | | | | | | | | | | | | | | | | | | | | | | | | | |
| 0221-20XX | | | | | | | | | | | | | | | | | | | | | | | | | | | | | | | | | | | | | | | | | | | | | | | | | | | | | | | | | | | | | | | | | | | | | | | | | | | | | | | | | | | | | | | | | | | |
| 0221-24XX | 02~20P | | | | | | | | | | | | | | | | | | | | | | | | | | | | | | | | | | | | | | | | | | | | | | | | | | | | | | | | | | | | | | | | | | | | | | | | | | | | | | | | | | | | | | | | | | |
| 0221-28XX | | | | | | | | | | | | | | | | | | | | | | | | | | | | | | | | | | | | | | | | | | | | | | | | | | | | | | | | | | | | | | | | | | | | | | | | | | | | | | | | | | | | | | | | | | | |
| 0221-29XX | | | | | | | | | | | | | | | | | | | | | | | | | | | | | | | | | | | | | | | | | | | | | | | | | | | | | | | | | | | | | | | | | | | | | | | | | | | | | | | | | | | | | | | | | | | |
| | | | | | | | | | | | | | | | | | | | | | | | | | | | | | | | | | | | | | | | | | | | | | | | | | | | | | | | | | | | | | | | | | | | | | | | | | | | | | | | | | | | | | | | | | | | |
| 3.50mm | | 0221-22XX-BK (0221-22XXL) | 0221-23XXL | ECH350RJ-XXP (ECH350RJ-XXPL) | 0221-26XXL | 0221-35XXL | ECH350VM-XXP (ECH350VM-XXPL) | | | | | | | | | | | | | | | | | | | | | | | | | | | | | | | | | | | | | | | | | | | | | | | | | | | | | | | | | | | | | | | | | | | | | | | | | | | | | | | | | | | | |
| <table border="1"> <tr><td>Technical Data</td><td>UL</td><td>IEC</td></tr> <tr><td>Rated voltage</td><td>300V</td><td>320V</td></tr> <tr><td>Rated current</td><td>8A</td><td>8A</td></tr> <tr><td>Rated impulse voltage</td><td colspan="2">2.5KV</td></tr> <tr><td colspan="3">Number of Positions</td></tr> <tr><td>ECH350RJ-XXP</td><td colspan="2">02~24P</td></tr> <tr><td>ECH350RJ-XXPL</td><td colspan="2"></td></tr> <tr><td>ECH350VJ-XXP</td><td colspan="2"></td></tr> <tr><td>ECH350VJ-XXPL</td><td colspan="2"></td></tr> <tr><td>ECH350VM-XXP</td><td colspan="2"></td></tr> <tr><td>ECH350VM-XXPL</td><td colspan="2"></td></tr> <tr><td>ECH350RM-XXP</td><td colspan="2"></td></tr> <tr><td>ECH350RM-XXPL</td><td colspan="2"></td></tr> <tr><td>0221-22XX-BK</td><td colspan="2">04~48P</td></tr> <tr><td>0221-22XXL</td><td colspan="2"></td></tr> <tr><td>0221-23XXL</td><td colspan="2"></td></tr> <tr><td>0221-26XXL</td><td colspan="2"></td></tr> <tr><td>0221-35XXL</td><td colspan="2"></td></tr> <tr><td>0221-36XXL</td><td colspan="2"></td></tr> <tr><td>0221-25XX-BK</td><td colspan="2">06~72P</td></tr> <tr><td>0221-25XXL</td><td colspan="2"></td></tr> <tr><td>0221-27XX-BK</td><td colspan="2"></td></tr> <tr><td>0221-27XXL</td><td colspan="2"></td></tr> <tr><td>0221-41XX-BK</td><td colspan="2"></td></tr> <tr><td>0221-41XXL</td><td colspan="2"></td></tr> <tr><td colspan="3">Accessories</td></tr> <tr><td>ECHK1</td><td colspan="2">P66</td></tr> <tr><td>ECHK1L</td><td colspan="2">P66</td></tr> </table> | | Technical Data | UL | IEC | Rated voltage | 300V | 320V | Rated current | 8A | 8A | Rated impulse voltage | 2.5KV | | Number of Positions | | | ECH350RJ-XXP | 02~24P | | ECH350RJ-XXPL | | | ECH350VJ-XXP | | | ECH350VJ-XXPL | | | ECH350VM-XXP | | | ECH350VM-XXPL | | | ECH350RM-XXP | | | ECH350RM-XXPL | | | 0221-22XX-BK | 04~48P | | 0221-22XXL | | | 0221-23XXL | | | 0221-26XXL | | | 0221-35XXL | | | 0221-36XXL | | | 0221-25XX-BK | 06~72P | | 0221-25XXL | | | 0221-27XX-BK | | | 0221-27XXL | | | 0221-41XX-BK | | | 0221-41XXL | | | Accessories | | | ECHK1 | P66 | | ECHK1L | P66 | | | | | | | |
| Technical Data | UL | IEC | | | | | | | | | | | | | | | | | | | | | | | | | | | | | | | | | | | | | | | | | | | | | | | | | | | | | | | | | | | | | | | | | | | | | | | | | | | | | | | | | | | | | | | | | |
| Rated voltage | 300V | 320V | | | | | | | | | | | | | | | | | | | | | | | | | | | | | | | | | | | | | | | | | | | | | | | | | | | | | | | | | | | | | | | | | | | | | | | | | | | | | | | | | | | | | | | | | |
| Rated current | 8A | 8A | | | | | | | | | | | | | | | | | | | | | | | | | | | | | | | | | | | | | | | | | | | | | | | | | | | | | | | | | | | | | | | | | | | | | | | | | | | | | | | | | | | | | | | | | |
| Rated impulse voltage | 2.5KV | | | | | | | | | | | | | | | | | | | | | | | | | | | | | | | | | | | | | | | | | | | | | | | | | | | | | | | | | | | | | | | | | | | | | | | | | | | | | | | | | | | | | | | | | | |
| Number of Positions | | | | | | | | | | | | | | | | | | | | | | | | | | | | | | | | | | | | | | | | | | | | | | | | | | | | | | | | | | | | | | | | | | | | | | | | | | | | | | | | | | | | | | | | | | | |
| ECH350RJ-XXP | 02~24P | | | | | | | | | | | | | | | | | | | | | | | | | | | | | | | | | | | | | | | | | | | | | | | | | | | | | | | | | | | | | | | | | | | | | | | | | | | | | | | | | | | | | | | | | | |
| ECH350RJ-XXPL | | | | | | | | | | | | | | | | | | | | | | | | | | | | | | | | | | | | | | | | | | | | | | | | | | | | | | | | | | | | | | | | | | | | | | | | | | | | | | | | | | | | | | | | | | | |
| ECH350VJ-XXP | | | | | | | | | | | | | | | | | | | | | | | | | | | | | | | | | | | | | | | | | | | | | | | | | | | | | | | | | | | | | | | | | | | | | | | | | | | | | | | | | | | | | | | | | | | |
| ECH350VJ-XXPL | | | | | | | | | | | | | | | | | | | | | | | | | | | | | | | | | | | | | | | | | | | | | | | | | | | | | | | | | | | | | | | | | | | | | | | | | | | | | | | | | | | | | | | | | | | |
| ECH350VM-XXP | | | | | | | | | | | | | | | | | | | | | | | | | | | | | | | | | | | | | | | | | | | | | | | | | | | | | | | | | | | | | | | | | | | | | | | | | | | | | | | | | | | | | | | | | | | |
| ECH350VM-XXPL | | | | | | | | | | | | | | | | | | | | | | | | | | | | | | | | | | | | | | | | | | | | | | | | | | | | | | | | | | | | | | | | | | | | | | | | | | | | | | | | | | | | | | | | | | | |
| ECH350RM-XXP | | | | | | | | | | | | | | | | | | | | | | | | | | | | | | | | | | | | | | | | | | | | | | | | | | | | | | | | | | | | | | | | | | | | | | | | | | | | | | | | | | | | | | | | | | | |
| ECH350RM-XXPL | | | | | | | | | | | | | | | | | | | | | | | | | | | | | | | | | | | | | | | | | | | | | | | | | | | | | | | | | | | | | | | | | | | | | | | | | | | | | | | | | | | | | | | | | | | |
| 0221-22XX-BK | 04~48P | | | | | | | | | | | | | | | | | | | | | | | | | | | | | | | | | | | | | | | | | | | | | | | | | | | | | | | | | | | | | | | | | | | | | | | | | | | | | | | | | | | | | | | | | | |
| 0221-22XXL | | | | | | | | | | | | | | | | | | | | | | | | | | | | | | | | | | | | | | | | | | | | | | | | | | | | | | | | | | | | | | | | | | | | | | | | | | | | | | | | | | | | | | | | | | | |
| 0221-23XXL | | | | | | | | | | | | | | | | | | | | | | | | | | | | | | | | | | | | | | | | | | | | | | | | | | | | | | | | | | | | | | | | | | | | | | | | | | | | | | | | | | | | | | | | | | | |
| 0221-26XXL | | | | | | | | | | | | | | | | | | | | | | | | | | | | | | | | | | | | | | | | | | | | | | | | | | | | | | | | | | | | | | | | | | | | | | | | | | | | | | | | | | | | | | | | | | | |
| 0221-35XXL | | | | | | | | | | | | | | | | | | | | | | | | | | | | | | | | | | | | | | | | | | | | | | | | | | | | | | | | | | | | | | | | | | | | | | | | | | | | | | | | | | | | | | | | | | | |
| 0221-36XXL | | | | | | | | | | | | | | | | | | | | | | | | | | | | | | | | | | | | | | | | | | | | | | | | | | | | | | | | | | | | | | | | | | | | | | | | | | | | | | | | | | | | | | | | | | | |
| 0221-25XX-BK | 06~72P | | | | | | | | | | | | | | | | | | | | | | | | | | | | | | | | | | | | | | | | | | | | | | | | | | | | | | | | | | | | | | | | | | | | | | | | | | | | | | | | | | | | | | | | | | |
| 0221-25XXL | | | | | | | | | | | | | | | | | | | | | | | | | | | | | | | | | | | | | | | | | | | | | | | | | | | | | | | | | | | | | | | | | | | | | | | | | | | | | | | | | | | | | | | | | | | |
| 0221-27XX-BK | | | | | | | | | | | | | | | | | | | | | | | | | | | | | | | | | | | | | | | | | | | | | | | | | | | | | | | | | | | | | | | | | | | | | | | | | | | | | | | | | | | | | | | | | | | |
| 0221-27XXL | | | | | | | | | | | | | | | | | | | | | | | | | | | | | | | | | | | | | | | | | | | | | | | | | | | | | | | | | | | | | | | | | | | | | | | | | | | | | | | | | | | | | | | | | | | |
| 0221-41XX-BK | | | | | | | | | | | | | | | | | | | | | | | | | | | | | | | | | | | | | | | | | | | | | | | | | | | | | | | | | | | | | | | | | | | | | | | | | | | | | | | | | | | | | | | | | | | |
| 0221-41XXL | | | | | | | | | | | | | | | | | | | | | | | | | | | | | | | | | | | | | | | | | | | | | | | | | | | | | | | | | | | | | | | | | | | | | | | | | | | | | | | | | | | | | | | | | | | |
| Accessories | | | | | | | | | | | | | | | | | | | | | | | | | | | | | | | | | | | | | | | | | | | | | | | | | | | | | | | | | | | | | | | | | | | | | | | | | | | | | | | | | | | | | | | | | | | |
| ECHK1 | P66 | | | | | | | | | | | | | | | | | | | | | | | | | | | | | | | | | | | | | | | | | | | | | | | | | | | | | | | | | | | | | | | | | | | | | | | | | | | | | | | | | | | | | | | | | | |
| ECHK1L | P66 | | | | | | | | | | | | | | | | | | | | | | | | | | | | | | | | | | | | | | | | | | | | | | | | | | | | | | | | | | | | | | | | | | | | | | | | | | | | | | | | | | | | | | | | | | |
| | | | | | | | | | | | | | | | | | | | | | | | | | | | | | | | | | | | | | | | | | | | | | | | | | | | | | | | | | | | | | | | | | | | | | | | | | | | | | | | | | | | | | | | | | | | |
| | | 0221-25XX-BK (0221-25XXL) | 0221-41XX-BK (0221-41XXL) | ECH350VJ-XXP (ECH350VJ-XXPL) | 0221-27XX-BK (0221-27XXL) | 0221-36XXL | ECH350RM-XXP (ECH350RM-XXPL) | | | | | | | | | | | | | | | | | | | | | | | | | | | | | | | | | | | | | | | | | | | | | | | | | | | | | | | | | | | | | | | | | | | | | | | | | | | | | | | | | | | | |
| | | | | | | | | | | | | | | | | | | | | | | | | | | | | | | | | | | | | | | | | | | | | | | | | | | | | | | | | | | | | | | | | | | | | | | | | | | | | | | | | | | | | | | | | | | | |
| | | | | | | | | | | | | | | | | | | | | | | | | | | | | | | | | | | | | | | | | | | | | | | | | | | | | | | | | | | | | | | | | | | | | | | | | | | | | | | | | | | | | | | | | | | | |
| | | Socket | | | Socket | | Socket | | | | | | | | | | | | | | | | | | | | | | | | | | | | | | | | | | | | | | | | | | | | | | | | | | | | | | | | | | | | | | | | | | | | | | | | | | | | | | | | | | | | |
| | | ECH350H-XXP | P70 | ECH350VT-XXPL | P70 | ECH350RM-XXP | P32 | ECH350VD-XXP | P69 | | | | | | | | | | | | | | | | | | | | | | | | | | | | | | | | | | | | | | | | | | | | | | | | | | | | | | | | | | | | | | | | | | | | | | | | | | | | | | | | | | |
| | | ECH350R-XXP | P69 | Please refer to the related page number for the compatible headers. | | ECH350RM-XXPL | P32 | ECH350RD-XXP | P69 | | | | | | | | | | | | | | | | | | | | | | | | | | | | | | | | | | | | | | | | | | | | | | | | | | | | | | | | | | | | | | | | | | | | | | | | | | | | | | | | | | |
| | | ECH350R-XXPL | P69 | | | ECH350VM-XXP | P32 | Please refer to the related page number for the compatible headers. | | | | | | | | | | | | | | | | | | | | | | | | | | | | | | | | | | | | | | | | | | | | | | | | | | | | | | | | | | | | | | | | | | | | | | | | | | | | | | | | | | | |
| | | ECH350V-XXP | P69 | ECH350VM-XXPL | P32 | | | | | | | | | | | | | | | | | | | | | | | | | | | | | | | | | | | | | | | | | | | | | | | | | | | | | | | | | | | | | | | | | | | | | | | | | | | | | | | | | | | | | | |
| | | ECH350V-XXPL | P69 | ECH350RRM-XXP | P69 | | | | | | | | | | | | | | | | | | | | | | | | | | | | | | | | | | | | | | | | | | | | | | | | | | | | | | | | | | | | | | | | | | | | | | | | | | | | | | | | | | | | | | |
| | | ECH350RR-XXP | P69 | ECH350RRM-XXPL | P69 | Please refer to the related page number for the compatible headers. | | | | | | | | | | | | | | | | | | | | | | | | | | | | | | | | | | | | | | | | | | | | | | | | | | | | | | | | | | | | | | | | | | | | | | | | | | | | | | | | | | | | | |
| | | ECH350RR-XXPL | P69 | | | | | | | | | | | | | | | | | | | | | | | | | | | | | | | | | | | | | | | | | | | | | | | | | | | | | | | | | | | | | | | | | | | | | | | | | | | | | | | | | | | | | | | | |
| | | Please refer to the related page number for the compatible headers. | | | | | | | | | | | | | | | | | | | | | | | | | | | | | | | | | | | | | | | | | | | | | | | | | | | | | | | | | | | | | | | | | | | | | | | | | | | | | | | | | | | | | | | | | |


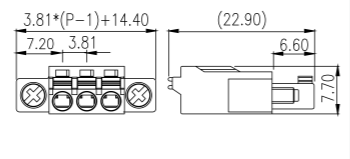
3.81mm

| | | |
|---------------------------------|--------|---------|
| Technical Data | UL | IEC |
| Rated voltage | 300V | 320V |
| Rated current | 8A | 8A |
| Solid (AWG/mm ²) | 24~16 | 0.2~1.5 |
| Flexible (AWG/mm ²) | 24~16 | 0.2~1.5 |
| Rated impulse voltage | 2.5KV | |
| Wire strip length | 8~10mm | |
| Number of Positions | 02~24P | |


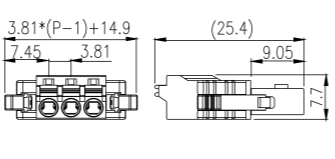
0221-42XX

0221-43XX


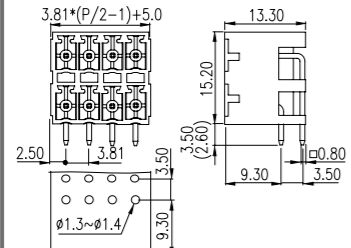
0221-44XX


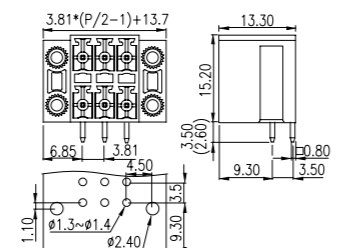
3.81mm

| | | |
|-----------------------|--------|------|
| Technical Data | UL | IEC |
| Rated voltage | 300V | 320V |
| Rated current | 8A | 8A |
| Rated impulse voltage | 2.5KV | |
| Number of Positions | 02~24P | |
| ECH381RJ-XXP | 02~24P | |
| ECH381RJ-XXPL | | |
| ECH381VJ-XXP | | |
| ECH381VJ-XXPL | | |
| 0221-33XX-BK | | |
| 0221-33XXL | | |
| 0221-39XX-BK | 04~48P | |
| 0221-39XXL | | |
| 0221-51XX-BK | | |
| 0221-51XXL | | |
| 0221-52XX-BK | | |
| 0221-52XXL | | |
| Accessories | | |
| ECHK1 | P66 | |
| ECHK1L | P66 | |


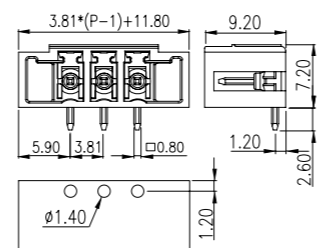
0221-33XX-BK (0221-33XXL)


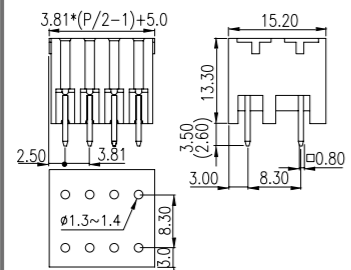
0221-51XX-BK (0221-51XXL)


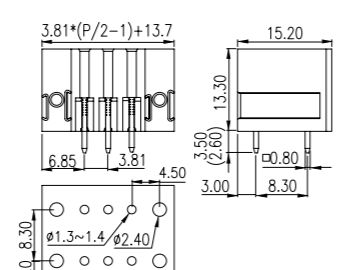
ECH381RJ-XXP (ECH381RJ-XXPL)


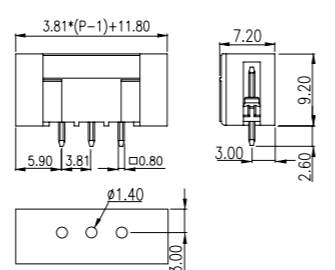
0221-39XX-BK (0221-39XXL)

0221-52XX-BK (0221-52XXL)


ECH381VJ-XXP (ECH381VJ-XXPL)

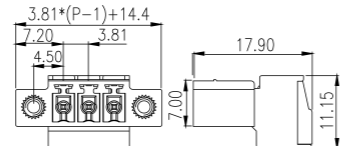
Socket

| | |
|---------------|-----|
| ECH381A-XXP | P72 |
| ECH381H-XXP | P72 |
| ECH381R-XXP | P71 |
| ECH381R-XXPL | P71 |
| ECH381V-XXP | P71 |
| ECH381V-XXPL | P71 |
| ECH381RR-XXP | P71 |
| ECH381RR-XXPL | P71 |

ECSH381VM-XXP



Refer to P.122


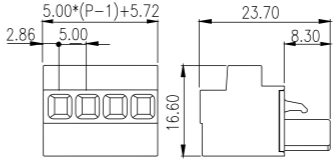


Please refer to the related page number for the compatible headers.


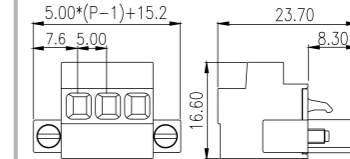
5.00mm

| | | |
|---------------------------------|---------|---------|
| Technical Data | UL | IEC |
| Rated voltage | 300V | 600V |
| Rated current | 10A | 18A |
| Solid (AWG/mm ²) | 26~12 | 0.2~2.5 |
| Flexible (AWG/mm ²) | 26~12 | 0.2~2.5 |
| Rated impulse voltage | 4KV | |
| Wire strip length | 10~11mm | |
| Number of Positions | 02~24P | |
| Accessories | | |
| ESDK1 | P66 | |
| ESDK2 | P66 | |


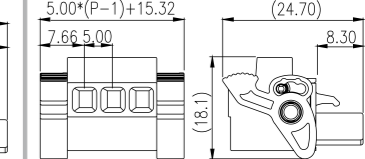
5ESV-XXP


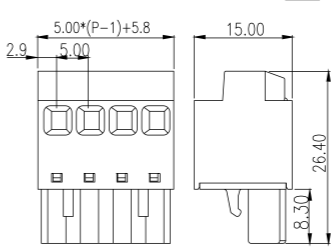
5ESVM-XXP


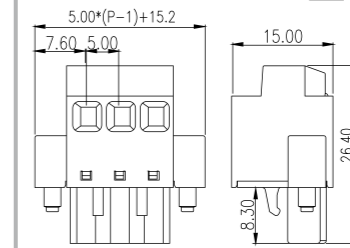
5ESVK-XXP


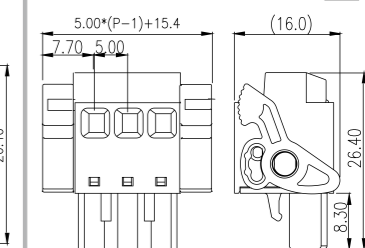
5ESR-XXP

5ESRM-XXP

5ESRK-XXP

Socket

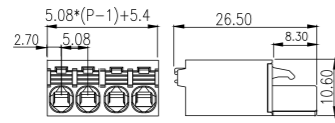
| | | | |
|------------|-----|---|-----|
| 5EHDR-XXP | P73 | 5EHDKPM-XXP | P82 |
| 5EHDR-XXPL | P73 | 5EHDRM-XXP | P74 |
| 5EHDR-XXP | P73 | 5EHDRM-XXPL | P74 |
| 5EHDR-XXPL | P73 | 5EHDVM-XXP | P74 |
| 5EHDR-XXP | P73 | 5EHDVM-XXPL | P74 |
| 5EHDR-XXP | P73 | Please refer to the related page number for the compatible headers. | |
| 5EHDR-XXPL | P73 | | |
| 5EHDR-XXP | P73 | | |
| 5EHDR-XXPL | P73 | | |
| 5EHDR-XXP | P73 | | |
| 5EHDR-XXPL | P73 | | |

Please refer to the related page number for the compatible headers.

5.08mm

2ESS-XXP

| | | |
|---------------------------------|---------|---------|
| Technical Data | UL | IEC |
| Rated voltage | 300V | 630V |
| Rated current | 15A | 18A |
| Solid (AWG/mm ²) | 24~12 | 0.2~2.5 |
| Flexible (AWG/mm ²) | 24~12 | 0.2~2.5 |
| Rated impulse voltage | | 4KV |
| Wire strip length | 10~11mm | |
| Number of Positions | | |
| 02~24P | | |
| Accessories | | |
| ESDK1 | P66 | |
| ESDK2 | P66 | |

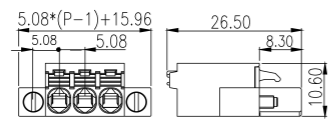


Socket

| | |
|-------------|-----|
| 2EHDA-XXP | P75 |
| 2EHDAC-XXP | P75 |
| 2EHDR-XXP | P76 |
| 2EHDR-XXPL | P76 |
| 2EHDRC-XXP | P76 |
| 2EHDRC-XXPL | P76 |
| 2EHDV-XXP | P76 |
| 2EHDV-XXPL | P76 |
| 2EHDVC-XXP | P76 |
| 2EHDVC-XXPL | P76 |

Please refer to the related page number for the compatible headers.

2ESSM-XXP



Socket

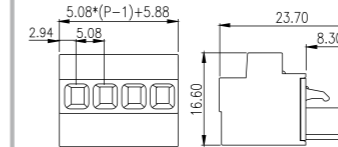
| | |
|--------------|-----|
| 2EHDP-XXP | P81 |
| 2EHDRM-XXP | P76 |
| 2EHDRM-XXPL | P76 |
| 2EHDVM-XXP | P76 |
| 2EHDVM-XXPL | P76 |
| 2EHDRRM-XXPL | P76 |

Please refer to the related page number for the compatible headers.

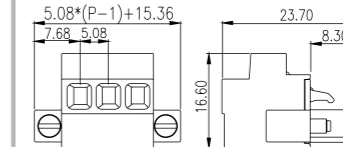
5.08mm

2ESV-XXP

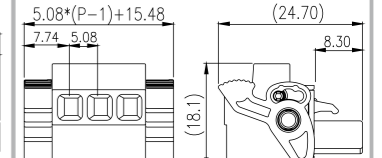
| | | |
|---------------------------------|---------|---------|
| Technical Data | UL | IEC |
| Rated voltage | 300V | 600V |
| Rated current | 10A | 18A |
| Solid (AWG/mm ²) | 26~12 | 0.2~2.5 |
| Flexible (AWG/mm ²) | 26~12 | 0.2~2.5 |
| Rated impulse voltage | | 4KV |
| Wire strip length | 10~11mm | |
| Number of Positions | | |
| 02~24P | | |
| Accessories | | |
| ESDK1 | P66 | |
| ESDK2 | P66 | |



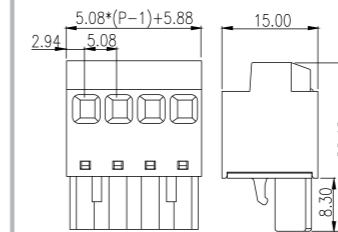
2ESVM-XXP



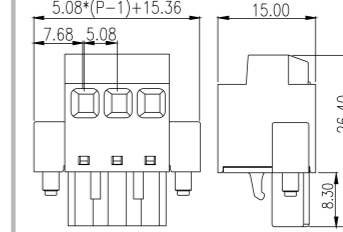
2ESVK-XXP



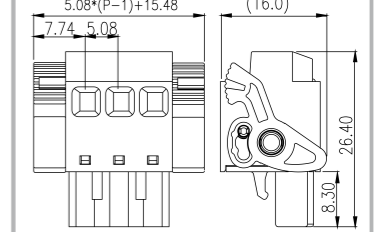
2ESR-XXP



2ESRM-XXP



2ESRK-XXP



Socket

| | |
|-------------|-----|
| 2EHDA-XXP | P75 |
| 2EHDAC-XXP | P75 |
| 2EHDR-XXP | P76 |
| 2EHDR-XXPL | P76 |
| 2EHDRC-XXP | P76 |
| 2EHDRC-XXPL | P76 |
| 2EHDV-XXP | P76 |
| 2EHDV-XXPL | P76 |
| 2EHDVC-XXP | P76 |
| 2EHDVC-XXPL | P76 |

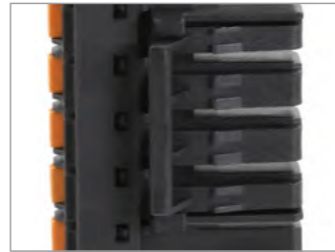
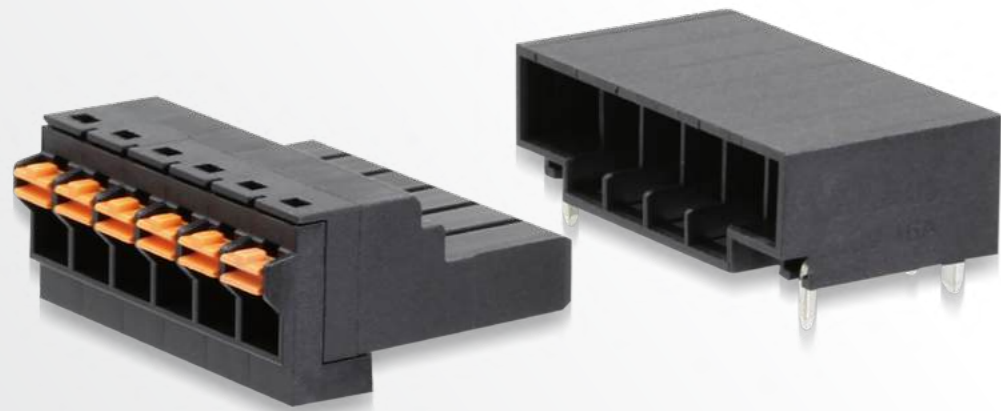
Please refer to the related page number for the compatible headers.

Socket

| | |
|--------------|-----|
| 2EHDP-XXP | P81 |
| 2EHDRM-XXP | P76 |
| 2EHDRM-XXPL | P76 |
| 2EHDVM-XXP | P76 |
| 2EHDVM-XXPL | P76 |
| 2EHDRRM-XXPL | P76 |

Please refer to the related page number for the compatible headers.

PID Plugs & Sockets - Stable Type




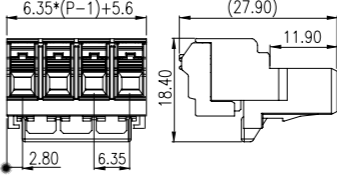

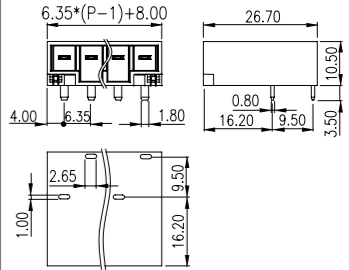
Easy clip design


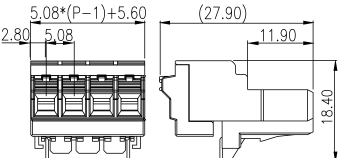

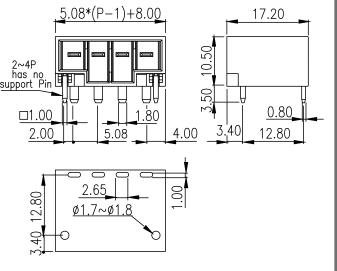



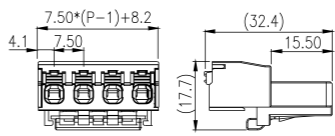

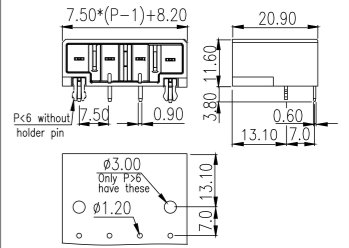
Strengthened mounting structure


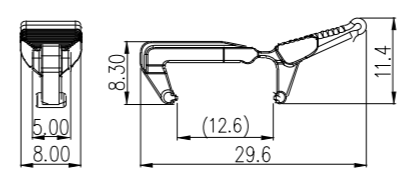

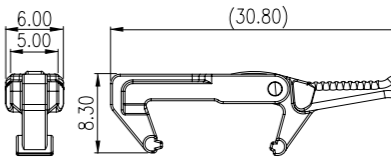
Connection method: Push-in connection
Pitch: 5.00mm / 5.08mm / 6.35mm / 7.50mm
UL Rated: 300V / 16A, 600V / 20A
IEC Rated: 320V / 20A, 1000V / 20A

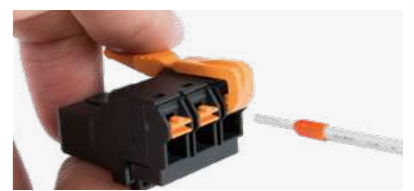
- With lock flange directly beneath
- The plug is in minimum width to save space
- Release tool (SDH-002) allows wiring operation by single hand
- Additional support pins on both sides of The socket for extra strength

| 6.35mm | | | 0150-30XX | | | 6.35mm | | | 0150-36XX | | |
|---------------------------------|---------|---------|--|--|-----------------------|--------|-------|---------------|-----------|-------|--|
| Technical Data | UL | IEC |   |   | Rated voltage | 600V | 1000V | Rated voltage | 600V | 1000V | |
| Rated current | 20A | 20A | | | Rated current | 20A | 20A | | | | |
| Solid (AWG/mm ²) | 24~12 | 0.2~2.5 | | | Rated impulse voltage | 8KV | 8KV | | | | |
| Flexible (AWG/mm ²) | 24~12 | 0.2~2.5 | | | Number of Positions | | | 02~12P | | | |
| Rated impulse voltage | 8KV | | | | Number of Positions | | | 02~12P | | | |
| Wire strip length | 11~12mm | | Number of Positions | | | 02~12P | | | | | |
| Number of Positions | | | 02~12P | | | 02~12P | | | | | |
| 02~12P | | | 02~12P | | | 02~12P | | | | | |

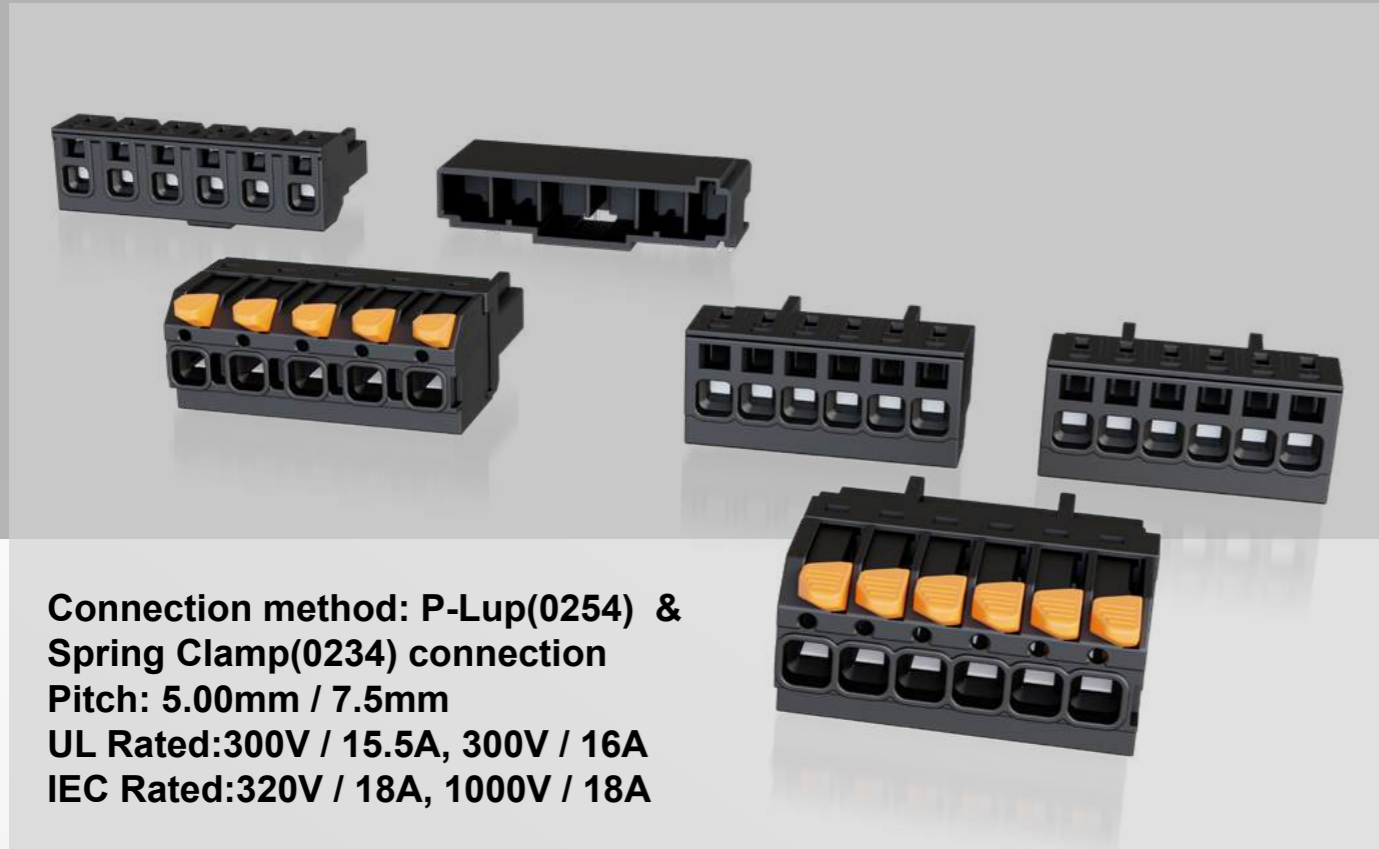
| 5.08mm | | | 0150-20XX | | | 5.08mm | | | 0150-26XX | | |
|---------------------------------|---------|---------|--|--|-----------------------|--------|------|---------------|-----------|------|--|
| Technical Data | UL | IEC |   |   | Rated voltage | 300V | 320V | Rated voltage | 300V | 320V | |
| Rated current | 16A | 20A | | | Rated current | 16A | 20A | | | | |
| Solid (AWG/mm ²) | 24~12 | 0.2~2.5 | | | Rated impulse voltage | 4KV | 4KV | | | | |
| Flexible (AWG/mm ²) | 24~12 | 0.2~2.5 | | | Number of Positions | | | 02~24P | | | |
| Rated impulse voltage | 4KV | | | | 0150-26XX | | | 02~24P | | | |
| Wire strip length | 11~12mm | | 0150-26XX | | | 02~24P | | | | | |
| Number of Positions | | | 02~24P | | | 02~24P | | | | | |
| 02~24P | | | 02~24P | | | 02~24P | | | | | |

| 7.50mm | | | 0150-40XX | | | 7.50mm | | | 0150-46XX | | |
|---------------------------------|---------|---------|--|--|-----------------------|--------|------|---------------|-----------|------|--|
| Technical Data | UL | IEC |   |   | Rated voltage | 600V | 630V | Rated voltage | 300V | 630V | |
| Rated current | 15A | 18A | | | Rated current | 15A | 18A | | | | |
| Solid (AWG/mm ²) | 20~12 | 0.5~2.5 | | | Rated impulse voltage | 6KV | 6KV | | | | |
| Flexible (AWG/mm ²) | 20~12 | 0.5~2.5 | | | Number of Positions | | | 02~12P | | | |
| Rated impulse voltage | 8KV | | | | Number of Positions | | | 02~12P | | | |
| Wire strip length | 12~13mm | | Number of Positions | | | 02~12P | | | | | |
| Number of Positions | | | 02~12P | | | 02~12P | | | | | |
| 02~12P | | | 02~12P | | | 02~12P | | | | | |

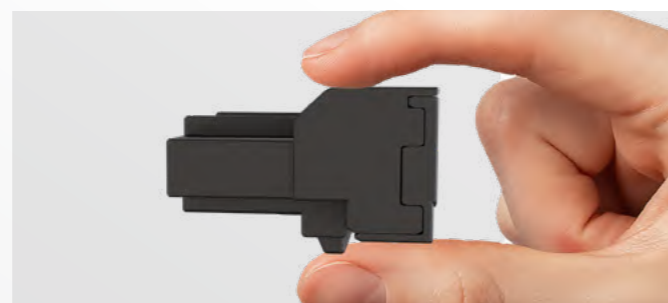
| SDH-002 (for 0150 series only) | | SDH-003 (for 0150 series only) | |
|--------------------------------|--|--------------------------------|--|
| Basic type |   | Durable type |   |
| | | | |
| | | | |



Spring Clamp / P-Lup Plugs & Sockets - Stable Type



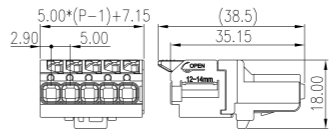
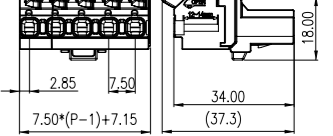


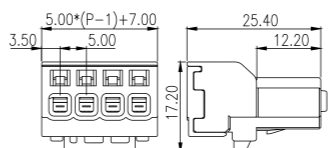
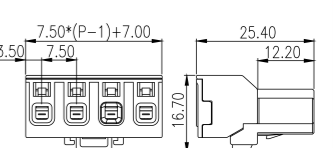


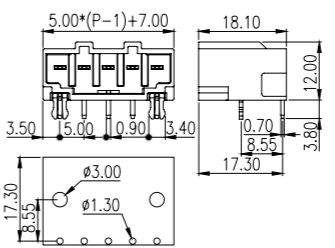
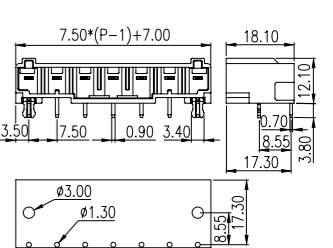


Connection method: P-Lup(0254) & Spring Clamp(0234) connection
Pitch: 5.00mm / 7.5mm
UL Rated:300V / 15.5A, 300V / 16A
IEC Rated:320V / 18A, 1000V / 18A



The plug features an innovative retractable spring clip and P-LUP mechanism, significantly enhancing user experience. The retractable spring clip ensures secure wiring and excellent vibration resistance, improving product safety and durability. The P-LUP design enables faster and easier cable insertion and removal, while the ergonomic handle enhances operational efficiency and reduces labor effort. This solution greatly reduces installation time, making it the optimal choice for professionals seeking high efficiency and superior quality.

The base adopts a push-lock mechanism that significantly reduces installation space requirements, maximizing spatial efficiency. The structure is robust yet lightweight and flexible, making it suitable for a wide range of installation environments. A distinct clicking sound upon engagement provides clear audible feedback, allowing users to confirm proper assembly with confidence. This enhances operational accuracy and efficiency, delivering a more intuitive and reliable experience for on-site installations.

| 5.00mm | | | 0254-20XX | | | 7.50mm | | | 0254-30XX | | |
|---------------------------------|--------|---------|---|--|--|---------------------------------|-------|---------|---|--|--|
| Technical Data | UL | IEC |  | | | Technical Data | UL | IEC |  | | |
| Rated voltage | 300V | 320V |  | | | Rated voltage | 300V | 1000V |  | | |
| Rated current | 15.5A | 18A | | | | Rated current | 16A | 18A | | | |
| Solid (AWG/mm ²) | 28~12 | 0.2~2.5 | | | | Solid (AWG/mm ²) | 28~12 | 0.2~2.5 | | | |
| Flexible (AWG/mm ²) | 28~12 | 0.2~2.5 | | | | Flexible (AWG/mm ²) | 28~12 | 0.2~2.5 | | | |
| Rated impulse voltage | | 4KV | | | | Rated impulse voltage | | 6KV | | | |
| Wire strip length | 9~10mm | | Number of Positions | | | 9~10mm | | | Number of Positions | | |
| | | | 02~14P | | | | | | 02~12P | | |
| | | | 0234-20XX-MW | | | | | | 0234-30XX-MW | | |
| | | |  | | | | | |  | | |
| | | |  | | | | | |  | | |
| | | | 0234-26XX | | | | | | 0234-36XX | | |
| | | |  | | | | | |  | | |
| | | |  | | | | | |  | | |

PID Plugs & Sockets - Regular Type



Screw mounting flange for secure connection



Twin connection plug is available




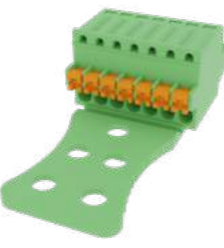
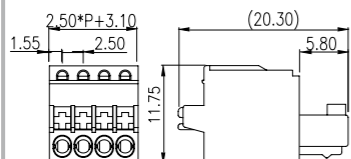
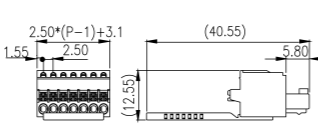
Plug can connect with reflow-solderable sockets




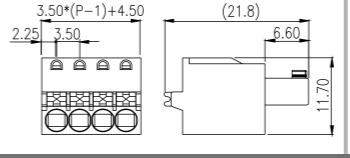
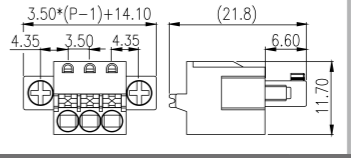
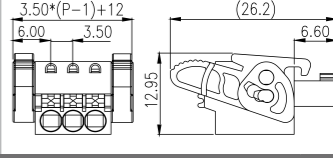



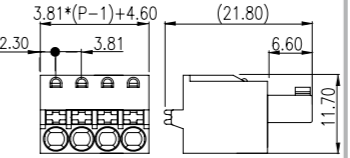
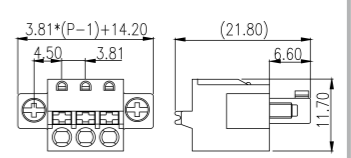
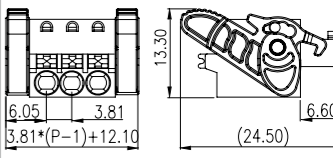
Connection method: Push-in connection
Pitch: 2.50mm / 3.50mm / 3.81mm / 5.00mm / 5.08mm / 7.62mm
UL Rated: 150V / 4A ~ 300V / 15A
IEC Rated: 320V / 12A ~ 800V / 15A

- Direct Push-in connection single-level and front twin connection plugs
- Mounting by screw flange and Release tool.
- With testing holes

Testing hole dimensions

| Product series | Pitch(mm) | Hole Ø (mm) |
|----------------|-----------|-------------|
| ESC250 | 2.50 | 1.10 |
| ESC350 | 3.50 | 1.25 |
| ESC381 | 3.81 | 1.25 |
| 5ESDS | 5.00 | 2.30 |
| 2ESDS | 5.08 | 2.30 |
| ESC508 | 5.08 | 1.25 |
| 3ESDS | 7.62 | 2.30 |

| 2.50mm | | | ESC250V-XXP | ESC250L-XXP | Socket |
|---------------------------------|-------|---------|---|--|---|
| Technical Data | UL | IEC |  |  | ECH250R-XXP P68 |
| Rated voltage | 150V | 320V | | | ECH250R-XXPL P68 |
| Rated current | 4A | 4A | | | ECH250V-XXP P68 |
| Solid (AWG/mm ²) | 28~20 | 0.2~0.5 | | | ECH250V-XXPL P68 |
| Flexible (AWG/mm ²) | 28~20 | 0.2~0.5 | | | ECHB250R-XXP P68 |
| Rated impulse voltage | | 2.5KV | | | ECHB250V-XXP P68 |
| Wire strip length | 8~9mm | | | | |
| Number of Positions | | | | | |
| ESC250V-XXP 02~24P | | | | | |
| ESC250L-XXP 07~12P | | | | | |
| | | |  |  | Please refer to the related page number for the compatible headers. |

| 3.50mm | | | ESC350V-XXP | ESC350VM-XXP | ESC350VK-XXP |
|---|--------|-----------------------|---|---|---|
| Technical Data | UL | IEC |  |  |  |
| Rated voltage | 300V | 500V | | | |
| Rated current | 8A | 10A | | | |
| Solid (AWG/mm ²) | 28~16 | 0.2~1.5 | | | |
| Flexible (AWG/mm ²) | 28~16 | 0.2~1.5 | | | |
| Rated impulse voltage | | 4KV | | | |
| Wire strip length | 9~10mm | | | | |
| Number of Positions | | | | | |
| 02~24P | | | | | |
| | | |  |  |  |
| | | | Socket | Socket | Socket |
| ECH350V-XXP | P69 | ECH350VM-XXP | P32 | ECH350VD-XXP | P69 |
| ECH350V-XXPL | P69 | ECH350VM-XXPL | P32 | ECH350VM-XXPL | P32 |
| ECHB350V-XXP | P70 | ECHB350VM-XXP | P70 | ECH350RD-XXP | P69 |
| EECH350V-XXP | P70 | EECH350VM-XXP | P70 | ECH350RM-XXPL | P32 |
| ECH350H-XXP | P70 | ECH350RM-XXP | P32 | Please refer to the related page number for the compatible headers. | |
| ECH350R-XXP | P69 | ECH350RM-XXPL | P32 | | |
| ECH350R-XXPL | P69 | ECHB350RM-XXP | P70 | | |
| ECHB350R-XXP | P70 | EECH350RM-XXP | P70 | | |
| EECH350R-XXP | P70 | ECH350RRM-XXP | P69 | | |
| ECH350RR-XXP | P69 | ECH350RRM-XXPL | P69 | | |
| ECH350RR-XXPL | P69 | | | Please refer to the related page number for the compatible headers. | |
| Please refer to the related page number for the compatible headers. | | | | | |
| 3.81mm | | | ESC381V-XXP | ESC381VM-XXP | ESC381VK-XXP |
| Technical Data | UL | IEC |  |  |  |
| Rated voltage | 300V | 500V | | | |
| Rated current | 8A | 10A | | | |
| Solid (AWG/mm ²) | 28~16 | 0.2~1.5 | | | |
| Flexible (AWG/mm ²) | 28~16 | 0.2~1.5 | | | |
| Rated impulse voltage | | 4KV | | | |
| Wire strip length | 9~10mm | | | | |
| Number of Positions | | | | | |
| 02~20P | | | | | |
| | | |  |  |  |
| | | | Socket | Socket | Socket |
| ECH381A-XXP | P72 | ECH381AM-XXP | P72 | ECHB381RRD-XXP | P72 |
| ECH381H-XXP | P72 | ECH381RM-XXP | P71 | Please refer to the related page number for the compatible headers. | |
| ECH381R-XXP | P71 | ECH381RM-XXPL | P71 | | |
| ECH381R-XXPL | P71 | ECH381VM-XXP | P71 | | |
| ECH381V-XXP | P71 | ECH381VM-XXPL | P71 | | |
| ECH381V-XXPL | P71 | | | Please refer to the related page number for the compatible headers. | |
| Please refer to the related page number for the compatible headers. | | | | | |

5.00mm

5ESDS-XXP

5ESDSM-XXP

5.08mm

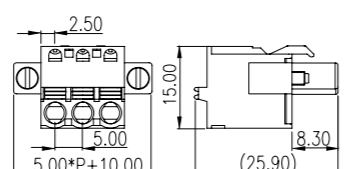
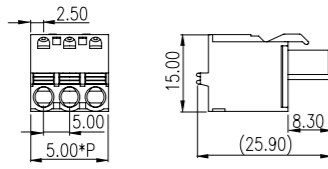
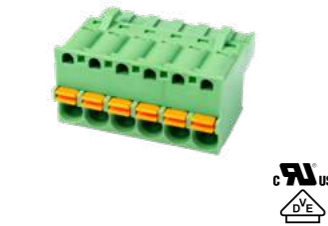
ESC508V-XXP

5.08mm

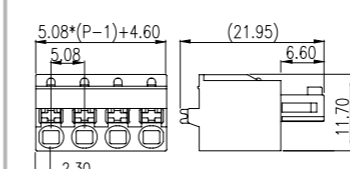
2ESDS-XXP

2ESDSM-XXP

| | | |
|---------------------------------|---------|---------|
| Technical Data | UL | IEC |
| Rated voltage | 300V | 600V |
| Rated current | 10A | 12A |
| Solid (AWG/mm ²) | 26~12 | 0.2~2.5 |
| Flexible (AWG/mm ²) | 26~12 | 0.2~2.5 |
| Rated impulse voltage | | 4KV |
| Wire strip length | 11~12mm | |
| Number of Positions | | |
| 02~24P | | |
| Accessories | | |
| ESDK1 | P66 | |
| ESDK2 | P66 | |

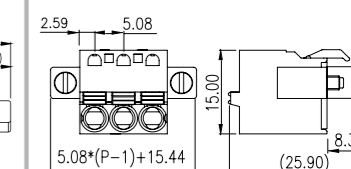
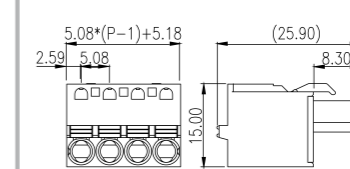


| | | |
|---------------------------------|-------|---------|
| Technical Data | UL | IEC |
| Rated voltage | 300V | 630V |
| Rated current | 8A | 8A |
| Solid (AWG/mm ²) | 28~16 | 0.2~1.5 |
| Flexible (AWG/mm ²) | 28~16 | 0.2~1.5 |
| Rated impulse voltage | | 4KV |
| Wire strip length | 9mm | |
| Number of Positions | | |
| 02~24P | | |



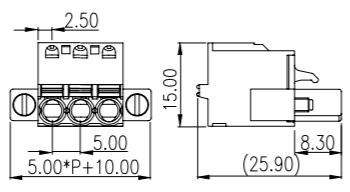
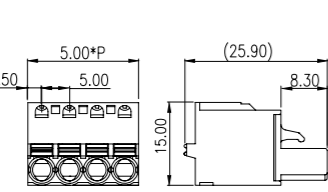
| | | |
|---------------------------------|---------|---------|
| Technical Data | UL | IEC |
| Rated voltage | 300V | 600V |
| Rated current | 10A | 12A |
| Solid (AWG/mm ²) | 26~12 | 0.2~2.5 |
| Flexible (AWG/mm ²) | 26~12 | 0.2~2.5 |
| Rated impulse voltage | | 4KV |
| Wire strip length | 11~12mm | |
| Number of Positions | | |
| 02~24P | | |
| Accessories | | |
| ESDK1 | P66 | |
| ESDK2 | P66 | |

* IEC=630V, 18A



5ESDSR-XXP

5ESDSRM-XXP

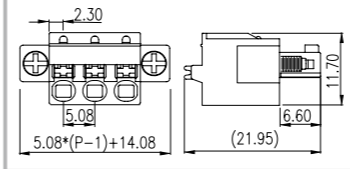


Socket

| | |
|-------------|-----|
| ECH508R-XXP | P75 |
| ECH508V-XXP | P75 |

Please refer to the related page number for the compatible headers.

ESC508VM-XXP



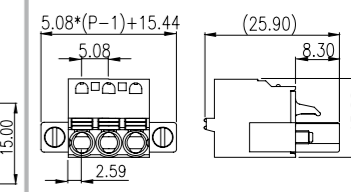
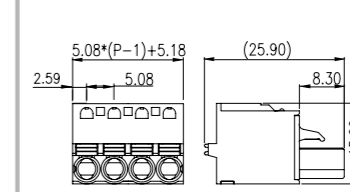
Socket

| | |
|--------------|-----|
| ECH508RM-XXP | P75 |
| ECH508VM-XXP | P75 |

Please refer to the related page number for the compatible headers.

2ESDSR-XXP

2ESDSRM-XXP



Socket

| | |
|--------------|-----|
| 5EHDR-XXP | P73 |
| 5EHDR-XXPL | P73 |
| 5EHDR-XXC | P73 |
| 5EHDR-XXPL | P73 |
| 5EHDRR-XXP | P73 |
| 5EHDRR-XXPL | P73 |
| 5EHDRRC-XXP | P73 |
| 5EHDV-XXP | P73 |
| 5EHDV-XXPL | P73 |
| 5EHDVC-XXP | P73 |
| 5EHDVC-XXPL | P73 |
| 5EHDRR-XXPL | P73 |
| 5EHDRRC-XXPL | P73 |

Please refer to the related page number for the compatible headers.

Socket

| | |
|--------------|-----|
| 5EHDKPM-XXP | P82 |
| 5EHDRM-XXP | P74 |
| 5EHDRM-XXPL | P74 |
| 5EHDVM-XXP | P74 |
| 5EHDVM-XXPL | P74 |
| 5EHDRRM-XXPL | P74 |

Please refer to the related page number for the compatible headers.

Socket

| | |
|--------------|-----|
| 2EHDA-XXP | P75 |
| 2EHDAC-XXP | P75 |
| 2EHDR-XXP | P76 |
| 2EHDR-XXPL | P76 |
| 2EHDRC-XXP | P76 |
| 2EHDRC-XXPL | P76 |
| 2EHDV-XXP | P76 |
| 2EHDV-XXPL | P76 |
| 2EHDVC-XXP | P76 |
| 2EHDVC-XXPL | P76 |
| 2EHDRR-XXPL | P76 |
| 2EHDRRC-XXPL | P76 |

Please refer to the related page number for the compatible headers.


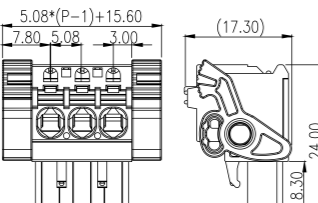
Socket

| | |
|--------------|-----|
| 2EHDRM-XXP | P76 |
| 2EHDRM-XXPL | P76 |
| 2EHDVM-XXP | P76 |
| 2EHDVM-XXPL | P76 |
| 2EHDRRM-XXPL | P76 |

Please refer to the related page number for the compatible headers.


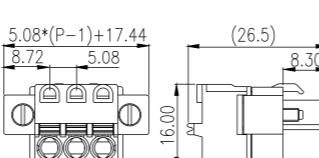
5.08mm 2ESDSVK-XXP

| Technical Data | UL | IEC |
|---------------------------------|---------|---------|
| Rated voltage | 300V | 630V |
| Rated current | 10A | 18A |
| Solid (AWG/mm ²) | 26-12 | 0.2-2.5 |
| Flexible (AWG/mm ²) | 26-12 | 0.2-2.5 |
| Rated impulse voltage | 4KV | |
| Wire strip length | 12-13mm | |
| Number of Positions | | |
| 02-24P | | |
| Accessories | | |
| ESDK1 | P66 | |
| ESDK2 | P66 | |


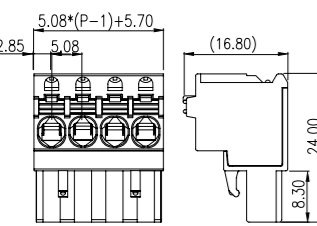



5.08mm 0121-01XX


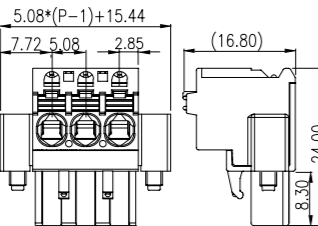
| Technical Data | UL | IEC |
|---------------------------------|---------|---------|
| Rated voltage | 300V | 1000V |
| Rated current | 10A | 12A |
| Solid (AWG/mm ²) | 26-12 | 0.2-2.5 |
| Flexible (AWG/mm ²) | 26-12 | 0.2-2.5 |
| Rated impulse voltage | 6KV | |
| Wire strip length | 11-12mm | |
| Number of Positions | | |
| 02-24P | | |
| Accessories | | |
| ESDK1 | P66 | |
| ESDK2 | P66 | |

2ESDSV-XXP

2ESDSVM-XXP

Socket

| | | | |
|-------------|-----|---|-----|
| 2EHDR-XXP | P76 | 2EHDRM-XXP | P76 |
| 2EHDR-XXPL | P76 | 2EHDRRM-XXPL | P76 |
| 2EHDRM-XXP | P76 | 2EHDRM-XXPL | P76 |
| 2EHDRM-XXPL | P76 | 2EHDRM-XXPL | P76 |
| 2EHDV-XXP | P76 | 2EHDVM-XXP | P76 |
| 2EHDV-XXPL | P76 | 2EHDVM-XXPL | P76 |
| 2EHDVC-XXPL | P76 | Please refer to the related page number for the compatible headers. | |

Please refer to the related page number for the compatible headers.

Socket

| | |
|-------------|-----|
| 2EHDRM-XXP | P76 |
| 2EHDRM-XXPL | P76 |
| 2EHDVM-XXP | P76 |
| 2EHDVM-XXPL | P76 |
| 2EHDBRM-XXP | P77 |
| 2EHDBVM-XXP | P77 |

Please refer to the related page number for the compatible headers.


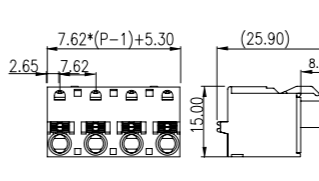
Socket

| | | | |
|-------------|-----|---|-----|
| 2EHDR-XXP | P76 | 2EHDRM-XXP | P76 |
| 2EHDR-XXPL | P76 | 2EHDRRM-XXPL | P76 |
| 2EHDRM-XXP | P76 | 2EHDRM-XXPL | P76 |
| 2EHDRM-XXPL | P76 | 2EHDRM-XXPL | P76 |
| 2EHDV-XXP | P76 | 2EHDVM-XXP | P76 |
| 2EHDV-XXPL | P76 | 2EHDVM-XXPL | P76 |
| 2EHDVC-XXPL | P76 | Please refer to the related page number for the compatible headers. | |


Please refer to the related page number for the compatible headers.

7.62mm 3ESDS-XXP


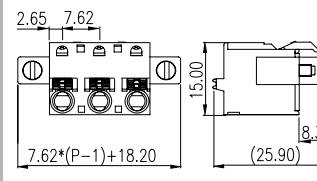
| Technical Data | UL | IEC |
|---------------------------------|---------|---------|
| Rated voltage | 300V | 800V |
| Rated current | | |
| 3ESDS-XXP | 10A | 15A |
| 3ESDSR-XXP | | |
| 3ESDSM-XXP | | |
| 3ESDSRM-XXP | | |
| 3ESDSRH | 18A | |
| 3ESDSRHM | | |
| Solid (AWG/mm ²) | 26-12 | 0.2-2.5 |
| Flexible (AWG/mm ²) | 26-12 | 0.2-2.5 |
| Rated impulse voltage | 6KV | |
| Wire strip length | | |
| 3ESDS-XXP | 10-11mm | |
| 3ESDSR-XXP | | |
| 3ESDSM-XXP | | |
| 3ESDSRM-XXP | | |
| 3ESDSRH | 8-9mm | |
| 3ESDSRHM | | |
| Number of Positions | | |
| 02-12P | | |
| Accessories | | |
| ESDK1 | P66 | |
| ESDK2 | P66 | |

3ESDSR-XXP




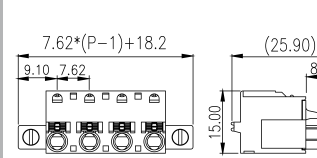

3ESDSM-XXP

3ESDSRH-XXP




3ESDSRHM-XXP

Socket

| | | | |
|------------|-----|---|-----|
| 3EHDR-XXP | P78 | 3EHDRM-XXP | P78 |
| 3EHDR-XXPL | P78 | 3EHDRM-XXPL | P78 |
| 3EHDV-XXP | P78 | Please refer to the related page number for the compatible headers. | |
| 3EHDVC-XXP | P78 | Please refer to the related page number for the compatible headers. | |


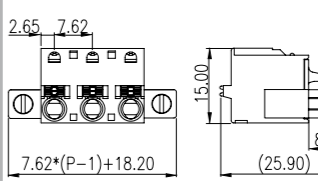
Please refer to the related page number for the compatible headers.

Socket


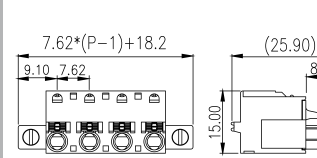
| | | | |
|------------|-----|---|-----|
| 3EHDR-XXP | P78 | 3EHDRM-XXP | P78 |
| 3EHDR-XXPL | P78 | 3EHDRM-XXPL | P78 |
| 3EHDV-XXP | P78 | Please refer to the related page number for the compatible headers. | |
| 3EHDVC-XXP | P78 | Please refer to the related page number for the compatible headers. | |

Please refer to the related page number for the compatible headers.


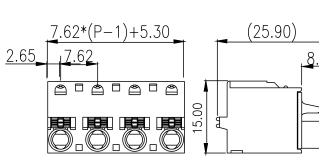
3ESDSR-XXP


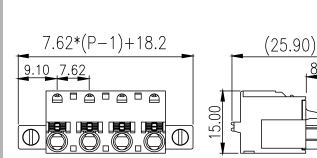
3ESDSM-XXP

3ESDSRH-XXP

3ESDSRHM-XXP

Socket

| | | | |
|------------|-----|---|-----|
| 3EHDR-XXP | P78 | 3EHDRM-XXP | P78 |
| 3EHDR-XXPL | P78 | 3EHDRM-XXPL | P78 |
| 3EHDV-XXP | P78 | Please refer to the related page number for the compatible headers. | |
| 3EHDVC-XXP | P78 | Please refer to the related page number for the compatible headers. | |

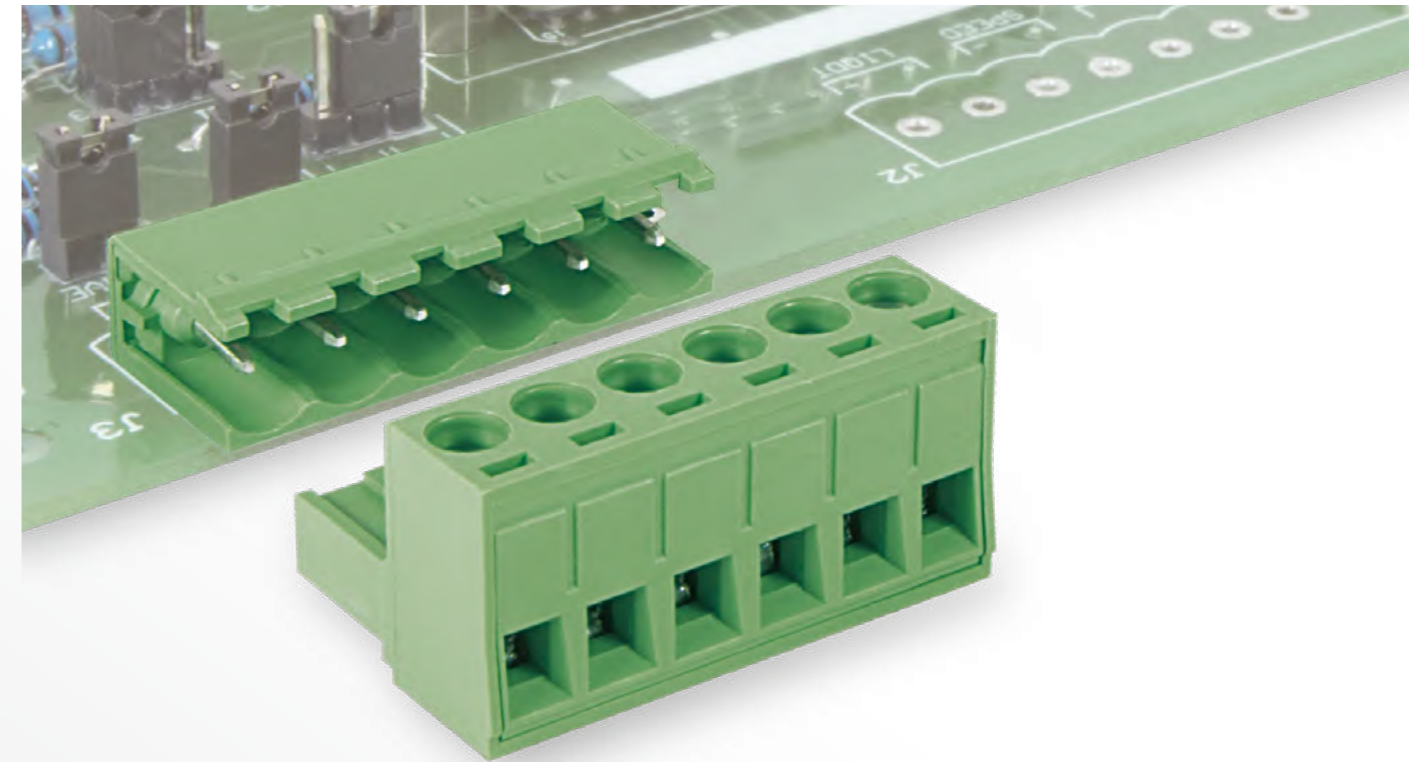
Please refer to the related page number for the compatible headers.

Socket

| | | | |
|------------|-----|---|-----|
| 3EHDR-XXP | P78 | 3EHDRM-XXP | P78 |
| 3EHDR-XXPL | P78 | 3EHDRM-XXPL | P78 |
| 3EHDV-XXP | P78 | Please refer to the related page number for the compatible headers. | |
| 3EHDVC-XXP | P78 | Please refer to the related page number for the compatible headers. | |

Please refer to the related page number for the compatible headers.

Screw Connection Plugs



Connection method: Screw connection

**Pitch: 3.50mm / 3.81mm / 5.00mm / 5.08mm / 6.35mm /
7.50mm / 7.62mm**

UL Rated: 300V / 8A ~ 600V / 20A

IEC Rated: 320V / 14A ~ 1000V / 16A

- Mating sockets include versions for wave soldering and reflow soldering
- Key codes available for fool-proof
- Rigid structure for excellent durability

The wire cage structure uses a high carbon steel material that undergoes a two-stage heat treatment process which strengthens the steel while maintaining ductility. The screw connection features a large contact surface that is suitable for solid and stranded wires. The wire cage is designed to ensure tight contact point which helps to achieve the low contact resistance and resistance to corrosion.

3.50mm

| Technical Data | UL | IEC |
|---------------------------------|----------|---------|
| Rated voltage | 300V | 320V |
| Rated current | 8A | 14A |
| Solid (AWG/mm ²) | 28~14 | 0.2~1.5 |
| Flexible (AWG/mm ²) | 28~14 | 0.2~1.5 |
| Rated impulse voltage | 2.5KV | |
| Torque (N-m) | 0.2~0.25 | |
| Screw | M2 | |
| Wire strip length | 6~7mm | |
| Number of Positions | | |
| EC350RM-XXP | 02~20P | |
| EC350RLM-XXP | 02~22P | |
| EC350R-XXP | 02~22P | |
| EC350V-XXP | 02~24P | |
| EC350VM-XXP | 02~24P | |

EC350V-XXP

EC350R-XXP

EC350RL-XXP

EC350VM-XXP

EC350RM-XXP

EC350RLM-XXP

3.81mm

| Technical Data | UL | IEC |
|---------------------------------|---------|---------|
| Rated voltage | 300V | 320V |
| Rated current | 8A | 14A |
| Solid (AWG/mm ²) | 28~14 | 0.2~1.5 |
| Flexible (AWG/mm ²) | 28~14 | 0.2~1.5 |
| Rated impulse voltage | 2.5KV | |
| Torque (N-m) | 0.2~2.5 | |
| Screw | M2 | |
| Wire strip length | 6~7mm | |
| Number of Positions | | |
| EC381RM-XXP | 02~20P | |
| EC381RLM-XXP | 02~22P | |
| EC381R-XXP | 02~22P | |
| EC381V-XXP | 02~24P | |
| EC381VM-XXP | 02~24P | |

EC381V-XXP

EC381R-XXP

EC381RL-XXP

EC381VM-XXP

EC381RM-XXP

EC381RLM-XXP

3.50mm

| Technical Data | UL | IEC |
|---------------------------------|-----------|---------|
| Rated voltage | 300V | 320V |
| Rated current | 8A | 14A |
| Solid (AWG/mm ²) | 30~14 | 0.2~1.5 |
| Flexible (AWG/mm ²) | 30~14 | 0.2~1.5 |
| Rated impulse voltage | 2KV 2.5KV | |
| Torque (N-m) | 0.2~0.25 | |
| Screw | M2 | |
| Wire strip length | 8~9mm | |
| Number of Positions | | |
| 02~24P | | |

EC350F-XXP

EC350FM-XXP

3.81mm

| Technical Data | UL | IEC |
|---------------------------------|---------|---------|
| Rated voltage | 300V | 320V |
| Rated current | 8A | 14A |
| Solid (AWG/mm ²) | 30~14 | 0.2~1.5 |
| Flexible (AWG/mm ²) | 30~14 | 0.2~1.5 |
| Rated impulse voltage | 2.5KV | |
| Torque (N-m) | 0.2~2.5 | |
| Screw | M2 | |
| Wire strip length | 8~9mm | |
| Number of Positions | | |
| EC381FM-XXP | 02~22P | |
| EC381F-XXP | 02~24P | |

EC381F-XXP

EC381FM-XXP

| Socket | | | |
|---------------|-----|--------------|-----|
| ECH350V-XXP | P69 | ECH350H-XXP | P70 |
| ECH350V-XXPL | P69 | ECH350R-XXP | P69 |
| ECHB350V-XXP | P70 | ECH350R-XXPL | P69 |
| EECH350V-XXP | P70 | ECHB350R-XXP | P70 |
| ECH350RR-XXP | P69 | EECH350R-XXP | P70 |
| ECH350RR-XXPL | P69 | | |

Please refer to the related page number for the compatible headers.

| Socket | | | |
|----------------|-----|---------------|-----|
| ECH350VM-XXP | P32 | ECH350RM-XXP | P32 |
| ECH350VM-XXPL | P32 | ECH350RM-XXPL | P32 |
| ECHB350VM-XXP | P70 | ECHB350RM-XXP | P68 |
| EECH350VM-XXP | P70 | EECH350RM-XXP | P68 |
| ECH350RRM-XXPL | P69 | ECH350RRM-XXP | P69 |

Please refer to the related page number for the compatible headers.

| Socket | | | |
|---------------|-----|--------------|-----|
| ECH381V-XXP | P71 | ECH381A-XXP | P72 |
| ECH381V-XXPL | P71 | ECH381H-XXP | P72 |
| ECHB381V-XXP | P72 | ECH381R-XXP | P71 |
| EECH381V-XXP | P72 | ECH381R-XXPL | P71 |
| ECH381RR-XXP | P71 | ECHB381R-XXP | P72 |
| ECH381RR-XXPL | P71 | EECH381R-XXP | P72 |


Please refer to the related page number for the compatible headers.

| Socket | | | |
|----------------|-----|---------------|-----|
| ECH381VM-XXP | P71 | ECH381AM-XXP | P72 |
| ECH381VM-XXPL | P71 | ECH381RM-XXP | P71 |
| ECHP381V-XXP | P81 | ECH381RM-XXPL | P71 |
| ECHB381VM-XXP | P72 | ECHB381RM-XXP | P72 |
| EECH381VM-XXP | P72 | EECH381RM-XXP | P72 |
| ECH381RRM-XXPL | P71 | ECH381RRM-XXP | P71 |

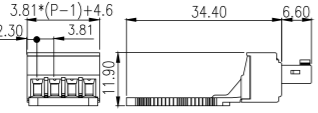
Please refer to the related page number for the compatible headers.

3.81mm EC381L-XXP

| Technical Data | UL | IEC |
|---------------------------------|----------|---------|
| Rated voltage | 300V | 320V |
| Rated current | 8A | 14A |
| Solid (AWG/mm ²) | 28~14 | 0.2~1.5 |
| Flexible (AWG/mm ²) | 28~14 | 0.2~1.5 |
| Rated impulse voltage | 2.5KV | |
| Torque (N-m) | 0.2~0.25 | |
| Screw | M2 | |
| Wire strip length | 6~7mm | |




Build to order



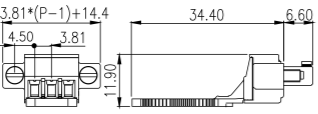
| Socket | | | |
|---------------|-----|--------------|-----|
| ECH381V-XXP | P71 | ECH381A-XXP | P72 |
| ECH381V-XXPL | P71 | ECH381H-XXP | P72 |
| ECHB381V-XXP | P72 | ECH381R-XXP | P71 |
| EECH381V-XXP | P72 | ECH381R-XXPL | P71 |
| ECH381RR-XXP | P71 | ECHB381R-XXP | P72 |
| ECH381RR-XXPL | P71 | EECH381R-XXP | P72 |

Please refer to the related page number for the compatible headers.

3.81mm EC381LM-XXP



Build to order


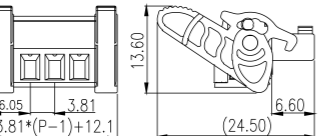


| Socket | | | |
|----------------|-----|---------------|-----|
| ECH381VM-XXP | P71 | ECH381AM-XXP | P72 |
| ECH381VM-XXPL | P71 | ECH381RM-XXP | P71 |
| ECHP381V-XXP | P81 | ECH381RM-XXPL | P71 |
| ECHB381VM-XXP | P72 | ECHB381RM-XXP | P72 |
| EECH381VM-XXP | P72 | EECH381RM-XXP | P72 |
| ECH381RRM-XXPL | P71 | ECH381RRM-XXP | P71 |

Please refer to the related page number for the compatible headers.

3.81mm EC381VK-XXP

| Technical Data | UL | IEC |
|---------------------------------|----------|---------|
| Rated voltage | 300V | 320V |
| Rated current | 8A | 14A |
| Solid (AWG/mm ²) | 28~14 | 0.2~1.5 |
| Flexible (AWG/mm ²) | 28~14 | 0.2~1.5 |
| Rated impulse voltage | 2.5KV | |
| Torque (N-m) | 0.2~0.25 | |
| Screw | M2 | |
| Wire strip length | 6~7mm | |


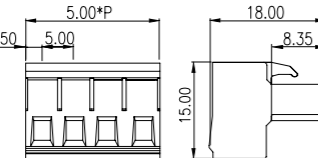



| Socket | | | |
|----------------|-----|--|--|
| ECHB381RRD-XXP | P72 | | |

Please refer to the related page number for the compatible headers.

5.00mm 5ESDT-XXP

| Technical Data | UL | IEC |
|---------------------------------|---------|---------|
| Rated voltage | 300V | 600V |
| Rated current | 15A | 18A |
| Solid (AWG/mm ²) | 28~12 | 0.2~4 |
| Flexible (AWG/mm ²) | 30~12 | 0.2~2.5 |
| Rated impulse voltage | 4KV | |
| Torque (N-m) | 0.4~0.5 | |
| Screw | M2.5 | |
| Wire strip length | 7~8mm | |


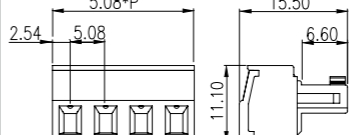



| 5ESDTS-XXP | | Socket | |
|------------|--|------------|------|
| | | 5EHDR-XXP | P73 |
| | | 5EHDRC-XXP | P73 |
| | | 5EHDV-XXP | P73 |
| | | 5EHDVC-XXP | P73 |
| | | 5EH-XPL | P129 |
| | | 5EH-XPR | P130 |
| | | 5EHDRR-XXP | P73 |
| | | 5EHDK-XXP | P82 |


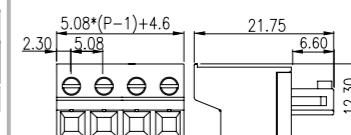
Please refer to the related page number for the compatible headers.

5.08mm EC508V-XXP

| Technical Data | UL | IEC |
|---------------------------------|----------|---------|
| Rated voltage | 300V | 630V |
| Rated current | 12A | 14A |
| Solid (AWG/mm ²) | | |
| EC508FM-XXP | 28~14 | 0.2~1.5 |
| EC508F-XXP | 28~14 | |
| EC508V-XXP | | |
| EC508VM-XXP | 30~14 | 0.2~1.5 |
| Flexible (AWG/mm ²) | | |
| EC508FM-XXP | 28~14 | |
| EC508F-XXP | | |
| EC508V-XXP | 30~14 | |
| EC508VM-XXP | | |
| Rated impulse voltage | 4KV | |
| Torque (N-m) | 0.2~0.25 | |
| Screw | M2 | |
| Wire strip length | 8~9mm | |
| Number of Positions | | |
| 02~24P | | |


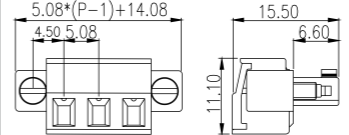
5.08mm EC508F-XXP


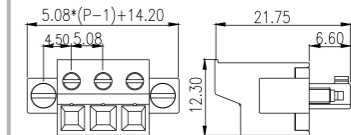
| Socket | |
|-------------|-----|
| ECH508V-XXP | P75 |
| ECH508R-XXP | P75 |

Please refer to the related page number for the compatible headers.

5.08mm EC508VM-XXP

5.08mm EC508FM-XXP


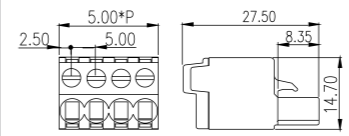



| Socket | |
|--------------|-----|
| ECH508VM-XXP | P75 |
| ECH508RM-XXP | P75 |

Please refer to the related page number for the compatible headers.

5.00mm 5ESDF-XXP


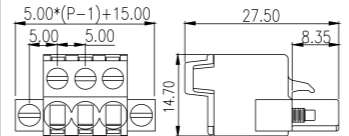
| Technical Data | UL | IEC |
|---------------------------------|---------|---------|
| Rated voltage | 300V | 600V |
| Rated current | 15A | 18A |
| Solid (AWG/mm ²) | 24~12 | 0.2~4 |
| Flexible (AWG/mm ²) | 24~12 | 0.2~2.5 |
| Rated impulse voltage | 4KV | |
| Torque (N-m) | 0.4~0.5 | |
| Screw | M2.5 | |
| Wire strip length | 9~10mm | |

| Socket | | | |
|-------------|-----|-------------|-----|
| 5EHDV-XXP | P73 | 5EHDRC-XXP | P73 |
| 5EHDV-XXPL | P73 | 5EHDRC-XXPL | P73 |
| 5EHDVC-XXP | P73 | 5EHDDB-XXP | P74 |
| 5EHDVC-XXPL | P73 | 5EHDRR-XXP | P73 |
| 5EHDVB-XXP | P74 | 5EHDRC-XXP | P73 |
| 5EEHDV-XXP | P74 | 5EEHDR-XXP | P74 |
| 5EHDR-XXP | P73 | 5EHDRC-XXPL | P73 |
| 5EHDR-XXPL | P73 | | |
| 5EHDRC-XXPL | P73 | | |

Please refer to the related page number for the compatible headers.

5.00mm 5ESDFM-XXP

| Socket | | | |
|-------------|-----|---------------|-----|
| 5EHDVM-XXP | P74 | 5EHDKPM-XXP/T | P82 |
| 5EHDVM-XXPL | P74 | 5EHDDB-XXP | P74 |
| 5EHDVB-XXP | P74 | 5EEHDR-XXP | P74 |
| 5EEHDVM-XXP | P74 | 5EHDRC-XXPL | P73 |
| 5EHDRM-XXP | P74 | | |
| 5EHDRM-XXPL | P74 | | |

Please refer to the related page number for the compatible headers.

| 5.00mm | | | 5ESDV-XXP | 5ESDA-XXP | 5ESDP-XXP | 5ESDPL-XXP | Socket | | | | | | | | | | | | | | | | | | | | | | | | | | | | | | | | | | | | | | | | | | | | | | | | | | | | | | | | | | | | | | | | | | | | | | | | | | | | | | | | | | | |
|--|----------------|--------------|-----------|---------------|-----------|------------|---------------|-----|-----|------------------------------|-------|-------|---------------------------------|-------|---------|-----------------------|--|-----|--------------|---------|--|-------|------|--|-------------------|-------|--|---------------------|--|--|--------|--|--|-------------|--|--|-------|-----|--|-------|-----|--|--|--|--|--|---|-----------|-----|------------|-----|------------|-----|------------|-----|------------|-----|------------|-----|-------------|-----|-------------|-----|------------|-----|------------|-----|------------|-----|-------------|-----|-----------|-----|--------------|-----|------------|-----|--|--|-----------|-----|--|--|--|--|--|--|---|--|--|
| <table border="1"> <tr><td>Technical Data</td><td>UL</td><td>IEC</td></tr> <tr><td>Rated voltage</td><td>300V</td><td>600V</td></tr> <tr><td>Rated current</td><td>15A</td><td>18A</td></tr> <tr><td>Solid (AWG/mm²)</td><td>30~12</td><td>0.2~4</td></tr> <tr><td>Flexible (AWG/mm²)</td><td>30~12</td><td>0.2~2.5</td></tr> <tr><td>Rated impulse voltage</td><td></td><td>4KV</td></tr> <tr><td>Torque (N-m)</td><td colspan="2">0.4~0.5</td></tr> <tr><td>Screw</td><td colspan="2">M2.5</td></tr> <tr><td>Wire strip length</td><td colspan="2">7~8mm</td></tr> <tr><td colspan="3">Number of Positions</td></tr> <tr><td colspan="3">02~24P</td></tr> <tr><td colspan="3">Accessories</td></tr> <tr><td>ESDK1</td><td colspan="2">P66</td></tr> <tr><td>ESDK2</td><td colspan="2">P66</td></tr> </table> | Technical Data | UL | IEC | Rated voltage | 300V | 600V | Rated current | 15A | 18A | Solid (AWG/mm ²) | 30~12 | 0.2~4 | Flexible (AWG/mm ²) | 30~12 | 0.2~2.5 | Rated impulse voltage | | 4KV | Torque (N-m) | 0.4~0.5 | | Screw | M2.5 | | Wire strip length | 7~8mm | | Number of Positions | | | 02~24P | | | Accessories | | | ESDK1 | P66 | | ESDK2 | P66 | | | | | | <table border="1"> <tr><td>5EHDV-XXP</td><td>P73</td><td>5EHDR-XXPL</td><td>P73</td></tr> <tr><td>5EHDV-XXPL</td><td>P73</td><td>5EHDBR-XXP</td><td>P74</td></tr> <tr><td>5EHDVC-XXP</td><td>P73</td><td>5EHDRR-XXP</td><td>P73</td></tr> <tr><td>5EHDVC-XXPL</td><td>P73</td><td>5EHDRRC-XXP</td><td>P73</td></tr> <tr><td>5EHDBV-XXP</td><td>P74</td><td>5EEHDR-XXP</td><td>P74</td></tr> <tr><td>5EEHDV-XXP</td><td>P74</td><td>5EHDRR-XXPL</td><td>P73</td></tr> <tr><td>5EHDR-XXP</td><td>P73</td><td>5EHDRRC-XXPL</td><td>P73</td></tr> <tr><td>5EHDR-XXPL</td><td>P73</td><td></td><td></td></tr> <tr><td>5EHDR-XXP</td><td>P73</td><td></td><td></td></tr> </table> | 5EHDV-XXP | P73 | 5EHDR-XXPL | P73 | 5EHDV-XXPL | P73 | 5EHDBR-XXP | P74 | 5EHDVC-XXP | P73 | 5EHDRR-XXP | P73 | 5EHDVC-XXPL | P73 | 5EHDRRC-XXP | P73 | 5EHDBV-XXP | P74 | 5EEHDR-XXP | P74 | 5EEHDV-XXP | P74 | 5EHDRR-XXPL | P73 | 5EHDR-XXP | P73 | 5EHDRRC-XXPL | P73 | 5EHDR-XXPL | P73 | | | 5EHDR-XXP | P73 | | | | | | | Please refer to the related page number for the compatible headers. | | |
| Technical Data | UL | IEC | | | | | | | | | | | | | | | | | | | | | | | | | | | | | | | | | | | | | | | | | | | | | | | | | | | | | | | | | | | | | | | | | | | | | | | | | | | | | | | | | | | | | | | | |
| Rated voltage | 300V | 600V | | | | | | | | | | | | | | | | | | | | | | | | | | | | | | | | | | | | | | | | | | | | | | | | | | | | | | | | | | | | | | | | | | | | | | | | | | | | | | | | | | | | | | | | |
| Rated current | 15A | 18A | | | | | | | | | | | | | | | | | | | | | | | | | | | | | | | | | | | | | | | | | | | | | | | | | | | | | | | | | | | | | | | | | | | | | | | | | | | | | | | | | | | | | | | | |
| Solid (AWG/mm ²) | 30~12 | 0.2~4 | | | | | | | | | | | | | | | | | | | | | | | | | | | | | | | | | | | | | | | | | | | | | | | | | | | | | | | | | | | | | | | | | | | | | | | | | | | | | | | | | | | | | | | | |
| Flexible (AWG/mm ²) | 30~12 | 0.2~2.5 | | | | | | | | | | | | | | | | | | | | | | | | | | | | | | | | | | | | | | | | | | | | | | | | | | | | | | | | | | | | | | | | | | | | | | | | | | | | | | | | | | | | | | | | |
| Rated impulse voltage | | 4KV | | | | | | | | | | | | | | | | | | | | | | | | | | | | | | | | | | | | | | | | | | | | | | | | | | | | | | | | | | | | | | | | | | | | | | | | | | | | | | | | | | | | | | | | |
| Torque (N-m) | 0.4~0.5 | | | | | | | | | | | | | | | | | | | | | | | | | | | | | | | | | | | | | | | | | | | | | | | | | | | | | | | | | | | | | | | | | | | | | | | | | | | | | | | | | | | | | | | | | |
| Screw | M2.5 | | | | | | | | | | | | | | | | | | | | | | | | | | | | | | | | | | | | | | | | | | | | | | | | | | | | | | | | | | | | | | | | | | | | | | | | | | | | | | | | | | | | | | | | | |
| Wire strip length | 7~8mm | | | | | | | | | | | | | | | | | | | | | | | | | | | | | | | | | | | | | | | | | | | | | | | | | | | | | | | | | | | | | | | | | | | | | | | | | | | | | | | | | | | | | | | | | |
| Number of Positions | | | | | | | | | | | | | | | | | | | | | | | | | | | | | | | | | | | | | | | | | | | | | | | | | | | | | | | | | | | | | | | | | | | | | | | | | | | | | | | | | | | | | | | | | | |
| 02~24P | | | | | | | | | | | | | | | | | | | | | | | | | | | | | | | | | | | | | | | | | | | | | | | | | | | | | | | | | | | | | | | | | | | | | | | | | | | | | | | | | | | | | | | | | | |
| Accessories | | | | | | | | | | | | | | | | | | | | | | | | | | | | | | | | | | | | | | | | | | | | | | | | | | | | | | | | | | | | | | | | | | | | | | | | | | | | | | | | | | | | | | | | | | |
| ESDK1 | P66 | | | | | | | | | | | | | | | | | | | | | | | | | | | | | | | | | | | | | | | | | | | | | | | | | | | | | | | | | | | | | | | | | | | | | | | | | | | | | | | | | | | | | | | | | |
| ESDK2 | P66 | | | | | | | | | | | | | | | | | | | | | | | | | | | | | | | | | | | | | | | | | | | | | | | | | | | | | | | | | | | | | | | | | | | | | | | | | | | | | | | | | | | | | | | | | |
| 5EHDV-XXP | P73 | 5EHDR-XXPL | P73 | | | | | | | | | | | | | | | | | | | | | | | | | | | | | | | | | | | | | | | | | | | | | | | | | | | | | | | | | | | | | | | | | | | | | | | | | | | | | | | | | | | | | | | |
| 5EHDV-XXPL | P73 | 5EHDBR-XXP | P74 | | | | | | | | | | | | | | | | | | | | | | | | | | | | | | | | | | | | | | | | | | | | | | | | | | | | | | | | | | | | | | | | | | | | | | | | | | | | | | | | | | | | | | | |
| 5EHDVC-XXP | P73 | 5EHDRR-XXP | P73 | | | | | | | | | | | | | | | | | | | | | | | | | | | | | | | | | | | | | | | | | | | | | | | | | | | | | | | | | | | | | | | | | | | | | | | | | | | | | | | | | | | | | | | |
| 5EHDVC-XXPL | P73 | 5EHDRRC-XXP | P73 | | | | | | | | | | | | | | | | | | | | | | | | | | | | | | | | | | | | | | | | | | | | | | | | | | | | | | | | | | | | | | | | | | | | | | | | | | | | | | | | | | | | | | | |
| 5EHDBV-XXP | P74 | 5EEHDR-XXP | P74 | | | | | | | | | | | | | | | | | | | | | | | | | | | | | | | | | | | | | | | | | | | | | | | | | | | | | | | | | | | | | | | | | | | | | | | | | | | | | | | | | | | | | | | |
| 5EEHDV-XXP | P74 | 5EHDRR-XXPL | P73 | | | | | | | | | | | | | | | | | | | | | | | | | | | | | | | | | | | | | | | | | | | | | | | | | | | | | | | | | | | | | | | | | | | | | | | | | | | | | | | | | | | | | | | |
| 5EHDR-XXP | P73 | 5EHDRRC-XXPL | P73 | | | | | | | | | | | | | | | | | | | | | | | | | | | | | | | | | | | | | | | | | | | | | | | | | | | | | | | | | | | | | | | | | | | | | | | | | | | | | | | | | | | | | | | |
| 5EHDR-XXPL | P73 | | | | | | | | | | | | | | | | | | | | | | | | | | | | | | | | | | | | | | | | | | | | | | | | | | | | | | | | | | | | | | | | | | | | | | | | | | | | | | | | | | | | | | | | | |
| 5EHDR-XXP | P73 | | | | | | | | | | | | | | | | | | | | | | | | | | | | | | | | | | | | | | | | | | | | | | | | | | | | | | | | | | | | | | | | | | | | | | | | | | | | | | | | | | | | | | | | | |

| 5.00mm | | | 5ESDVM-XXP | 5ESDAM-XXP | 5ESDPM-XXP | 5ESDPLM-XXP | Socket | | | | | | | | | | | | | | | | | | | | | | | | | | | | | | | | | | | | | | | | | | | | | | | | | | | | | | | | | | | | | | | | | | | |
|--|----------------|--------------|------------|---------------|------------|-------------|---------------|-----|-----|------------------------------|-------|-------|---------------------------------|-------|---------|-----------------------|--|-----|--------------|---------|--|-------|------|--|-------------------|-------|--|---------------------|--|--|--------|--|--|-------------|--|--|-------|-----|--|-------|-----|--|--|--|--|--|--|------------|-----|-------------|-----|-------------|-----|-------------|-----|-------------|-----|-------------|-----|-------------|-----|-------------|-----|------------|-----|--------------|-----|--|--|--|--|---|--|--|
| <table border="1"> <tr><td>Technical Data</td><td>UL</td><td>IEC</td></tr> <tr><td>Rated voltage</td><td>300V</td><td>600V</td></tr> <tr><td>Rated current</td><td>15A</td><td>18A</td></tr> <tr><td>Solid (AWG/mm²)</td><td>30~12</td><td>0.2~4</td></tr> <tr><td>Flexible (AWG/mm²)</td><td>30~12</td><td>0.2~2.5</td></tr> <tr><td>Rated impulse voltage</td><td></td><td>4KV</td></tr> <tr><td>Torque (N-m)</td><td colspan="2">0.4~0.5</td></tr> <tr><td>Screw</td><td colspan="2">M2.5</td></tr> <tr><td>Wire strip length</td><td colspan="2">7~8mm</td></tr> <tr><td colspan="3">Number of Positions</td></tr> <tr><td colspan="3">02~24P</td></tr> <tr><td colspan="3">Accessories</td></tr> <tr><td>ESDK1</td><td colspan="2">P66</td></tr> <tr><td>ESDK2</td><td colspan="2">P66</td></tr> </table> | Technical Data | UL | IEC | Rated voltage | 300V | 600V | Rated current | 15A | 18A | Solid (AWG/mm ²) | 30~12 | 0.2~4 | Flexible (AWG/mm ²) | 30~12 | 0.2~2.5 | Rated impulse voltage | | 4KV | Torque (N-m) | 0.4~0.5 | | Screw | M2.5 | | Wire strip length | 7~8mm | | Number of Positions | | | 02~24P | | | Accessories | | | ESDK1 | P66 | | ESDK2 | P66 | | | | | | <table border="1"> <tr><td>5EHDVM-XXP</td><td>P74</td><td>5EHDRM-XXPL</td><td>P74</td></tr> <tr><td>5EHDVM-XXPL</td><td>P74</td><td>5EHDKPM-XXP</td><td>P82</td></tr> <tr><td>5EHDBVM-XXP</td><td>P74</td><td>5EHDBRM-XXP</td><td>P74</td></tr> <tr><td>5EEHDVM-XXP</td><td>P74</td><td>5EEHDRM-XXP</td><td>P74</td></tr> <tr><td>5EHDRM-XXP</td><td>P74</td><td>5EHDRRM-XXPL</td><td>P74</td></tr> </table> | 5EHDVM-XXP | P74 | 5EHDRM-XXPL | P74 | 5EHDVM-XXPL | P74 | 5EHDKPM-XXP | P82 | 5EHDBVM-XXP | P74 | 5EHDBRM-XXP | P74 | 5EEHDVM-XXP | P74 | 5EEHDRM-XXP | P74 | 5EHDRM-XXP | P74 | 5EHDRRM-XXPL | P74 | | | | | Please refer to the related page number for the compatible headers. | | |
| Technical Data | UL | IEC | | | | | | | | | | | | | | | | | | | | | | | | | | | | | | | | | | | | | | | | | | | | | | | | | | | | | | | | | | | | | | | | | | | | | | | | |
| Rated voltage | 300V | 600V | | | | | | | | | | | | | | | | | | | | | | | | | | | | | | | | | | | | | | | | | | | | | | | | | | | | | | | | | | | | | | | | | | | | | | | | |
| Rated current | 15A | 18A | | | | | | | | | | | | | | | | | | | | | | | | | | | | | | | | | | | | | | | | | | | | | | | | | | | | | | | | | | | | | | | | | | | | | | | | |
| Solid (AWG/mm ²) | 30~12 | 0.2~4 | | | | | | | | | | | | | | | | | | | | | | | | | | | | | | | | | | | | | | | | | | | | | | | | | | | | | | | | | | | | | | | | | | | | | | | | |
| Flexible (AWG/mm ²) | 30~12 | 0.2~2.5 | | | | | | | | | | | | | | | | | | | | | | | | | | | | | | | | | | | | | | | | | | | | | | | | | | | | | | | | | | | | | | | | | | | | | | | | |
| Rated impulse voltage | | 4KV | | | | | | | | | | | | | | | | | | | | | | | | | | | | | | | | | | | | | | | | | | | | | | | | | | | | | | | | | | | | | | | | | | | | | | | | |
| Torque (N-m) | 0.4~0.5 | | | | | | | | | | | | | | | | | | | | | | | | | | | | | | | | | | | | | | | | | | | | | | | | | | | | | | | | | | | | | | | | | | | | | | | | | |
| Screw | M2.5 | | | | | | | | | | | | | | | | | | | | | | | | | | | | | | | | | | | | | | | | | | | | | | | | | | | | | | | | | | | | | | | | | | | | | | | | | |
| Wire strip length | 7~8mm | | | | | | | | | | | | | | | | | | | | | | | | | | | | | | | | | | | | | | | | | | | | | | | | | | | | | | | | | | | | | | | | | | | | | | | | | |
| Number of Positions | | | | | | | | | | | | | | | | | | | | | | | | | | | | | | | | | | | | | | | | | | | | | | | | | | | | | | | | | | | | | | | | | | | | | | | | | | |
| 02~24P | | | | | | | | | | | | | | | | | | | | | | | | | | | | | | | | | | | | | | | | | | | | | | | | | | | | | | | | | | | | | | | | | | | | | | | | | | |
| Accessories | | | | | | | | | | | | | | | | | | | | | | | | | | | | | | | | | | | | | | | | | | | | | | | | | | | | | | | | | | | | | | | | | | | | | | | | | | |
| ESDK1 | P66 | | | | | | | | | | | | | | | | | | | | | | | | | | | | | | | | | | | | | | | | | | | | | | | | | | | | | | | | | | | | | | | | | | | | | | | | | |
| ESDK2 | P66 | | | | | | | | | | | | | | | | | | | | | | | | | | | | | | | | | | | | | | | | | | | | | | | | | | | | | | | | | | | | | | | | | | | | | | | | | |
| 5EHDVM-XXP | P74 | 5EHDRM-XXPL | P74 | | | | | | | | | | | | | | | | | | | | | | | | | | | | | | | | | | | | | | | | | | | | | | | | | | | | | | | | | | | | | | | | | | | | | | | |
| 5EHDVM-XXPL | P74 | 5EHDKPM-XXP | P82 | | | | | | | | | | | | | | | | | | | | | | | | | | | | | | | | | | | | | | | | | | | | | | | | | | | | | | | | | | | | | | | | | | | | | | | |
| 5EHDBVM-XXP | P74 | 5EHDBRM-XXP | P74 | | | | | | | | | | | | | | | | | | | | | | | | | | | | | | | | | | | | | | | | | | | | | | | | | | | | | | | | | | | | | | | | | | | | | | | |
| 5EEHDVM-XXP | P74 | 5EEHDRM-XXP | P74 | | | | | | | | | | | | | | | | | | | | | | | | | | | | | | | | | | | | | | | | | | | | | | | | | | | | | | | | | | | | | | | | | | | | | | | |
| 5EHDRM-XXP | P74 | 5EHDRRM-XXPL | P74 | | | | | | | | | | | | | | | | | | | | | | | | | | | | | | | | | | | | | | | | | | | | | | | | | | | | | | | | | | | | | | | | | | | | | | | |

| 5.08mm | | | 2ESDF-XXP | Socket | | | | 5.08mm | | | 2ESDVH-XXP | Socket | | | | | | | | | | | | | | | | | | | | | | | | | | | | | | | | | | | | | | | | | | | | | | | | | | | | | | | | | | | | | | | | | | | | | | | | | | | | | | | | | | | | | | | | | | | | | | | | | | | | | | | | | | | | | | | | | | | | | | | | | | | | | | |
|---|----------------|--------------|------------|--|------------|--------|---------------|--------|-------------|------------------------------|-------------|--------|---------------------------------|-------|-------------|-----------------------|-------------|-----|--------------|---------|------------|-------|------|--|---|--------|--|---------------------|--|--|--------|--|--|--|---|-----------|-----|-----------|-----|------------|-----|------------|-----|------------|-----|-----------|-----|-------------|-----|------------|-----|------------|-----|------------|-----|------------|-----|------------|-----|-----------|-----|-------------|-----|------------|-----|--------------|-----|---|----------------|----|-----|---------------|------|------|---------------|-----|-----|------------------------------|-------|-------|---------------------------------|-------|---------|-----------------------|--|-----|--------------|---------|--|-------------------|-------|--|---------------------|--|--|--------|--|--|--|---|-----------|-----|-----------|-----|------------|-----|------------|-----|------------|-----|-----------|-----|-------------|-----|------------|-----|------------|-----|------------|-----|------------|-----|------------|-----|-----------|-----|-------------|-----|------------|-----|--------------|-----|--|--|---|--|--|--|
| <table border="1"> <tr><td>Technical Data</td><td>UL</td><td>IEC</td></tr> <tr><td>Rated voltage</td><td>300V</td><td>600V</td></tr> <tr><td>Rated current</td><td>15A</td><td>18A</td></tr> <tr><td>Solid (AWG/mm²)</td><td>24~12</td><td>0.2~4</td></tr> <tr><td>Flexible (AWG/mm²)</td><td>24~12</td><td>0.2~2.5</td></tr> <tr><td>Rated impulse voltage</td><td></td><td>4KV</td></tr> <tr><td>Torque (N-m)</td><td colspan="2">0.4~0.5</td></tr> <tr><td>Screw</td><td colspan="2">M2.5</td></tr> <tr><td>Wire strip length</td><td colspan="2">9~10mm</td></tr> <tr><td colspan="3">Number of Positions</td></tr> <tr><td colspan="3">02~24P</td></tr> </table> | Technical Data | UL | IEC | Rated voltage | 300V | 600V | Rated current | 15A | 18A | Solid (AWG/mm ²) | 24~12 | 0.2~4 | Flexible (AWG/mm ²) | 24~12 | 0.2~2.5 | Rated impulse voltage | | 4KV | Torque (N-m) | 0.4~0.5 | | Screw | M2.5 | | Wire strip length | 9~10mm | | Number of Positions | | | 02~24P | | | | <table border="1"> <tr><td>2EHDV-XXP</td><td>P76</td><td>2EHDR-XXP</td><td>P76</td></tr> <tr><td>2EHDV-XXPL</td><td>P76</td><td>2EHDR-XXPL</td><td>P76</td></tr> <tr><td>2EHDVC-XXP</td><td>P76</td><td>2EHDA-XXP</td><td>P75</td></tr> <tr><td>2EHDVC-XXPL</td><td>P76</td><td>2EHDAC-XXP</td><td>P75</td></tr> <tr><td>2EHDBV-XXP</td><td>P77</td><td>2EHDBR-XXP</td><td>P77</td></tr> <tr><td>2EEHDV-XXP</td><td>P77</td><td>2EEHDR-XXP</td><td>P77</td></tr> <tr><td>2EHDR-XXP</td><td>P76</td><td>2EHDRR-XXPL</td><td>P76</td></tr> <tr><td>2EHDR-XXPL</td><td>P76</td><td>2EHDRRC-XXPL</td><td>P76</td></tr> </table> | 2EHDV-XXP | P76 | 2EHDR-XXP | P76 | 2EHDV-XXPL | P76 | 2EHDR-XXPL | P76 | 2EHDVC-XXP | P76 | 2EHDA-XXP | P75 | 2EHDVC-XXPL | P76 | 2EHDAC-XXP | P75 | 2EHDBV-XXP | P77 | 2EHDBR-XXP | P77 | 2EEHDV-XXP | P77 | 2EEHDR-XXP | P77 | 2EHDR-XXP | P76 | 2EHDRR-XXPL | P76 | 2EHDR-XXPL | P76 | 2EHDRRC-XXPL | P76 | <table border="1"> <tr><td>Technical Data</td><td>UL</td><td>IEC</td></tr> <tr><td>Rated voltage</td><td>300V</td><td>600V</td></tr> <tr><td>Rated current</td><td>20A</td><td>24A</td></tr> <tr><td>Solid (AWG/mm²)</td><td>28~12</td><td>0.2~4</td></tr> <tr><td>Flexible (AWG/mm²)</td><td>30~12</td><td>0.2~2.5</td></tr> <tr><td>Rated impulse voltage</td><td></td><td>4KV</td></tr> <tr><td>Torque (N-m)</td><td colspan="2">0.4~0.5</td></tr> <tr><td>Wire strip length</td><td colspan="2">7~8mm</td></tr> <tr><td colspan="3">Number of Positions</td></tr> <tr><td colspan="3">02~24P</td></tr> </table> | Technical Data | UL | IEC | Rated voltage | 300V | 600V | Rated current | 20A | 24A | Solid (AWG/mm ²) | 28~12 | 0.2~4 | Flexible (AWG/mm ²) | 30~12 | 0.2~2.5 | Rated impulse voltage | | 4KV | Torque (N-m) | 0.4~0.5 | | Wire strip length | 7~8mm | | Number of Positions | | | 02~24P | | | | <table border="1"> <tr><td>2EHDV-XXP</td><td>P76</td><td>2EHDR-XXP</td><td>P76</td></tr> <tr><td>2EHDV-XXPL</td><td>P76</td><td>2EHDR-XXPL</td><td>P76</td></tr> <tr><td>2EHDVC-XXP</td><td>P76</td><td>2EHDA-XXP</td><td>P75</td></tr> <tr><td>2EHDVC-XXPL</td><td>P76</td><td>2EHDAC-XXP</td><td>P75</td></tr> <tr><td>2EHDBV-XXP</td><td>P77</td><td>2EHDBR-XXP</td><td>P77</td></tr> <tr><td>2EEHDV-XXP</td><td>P77</td><td>2EEHDR-XXP</td><td>P77</td></tr> <tr><td>2EHDR-XXP</td><td>P76</td><td>2EHDRR-XXPL</td><td>P76</td></tr> <tr><td>2EHDR-XXPL</td><td>P76</td><td>2EHDRRC-XXPL</td><td>P76</td></tr> </table> | 2EHDV-XXP | P76 | 2EHDR-XXP | P76 | 2EHDV-XXPL | P76 | 2EHDR-XXPL | P76 | 2EHDVC-XXP | P76 | 2EHDA-XXP | P75 | 2EHDVC-XXPL | P76 | 2EHDAC-XXP | P75 | 2EHDBV-XXP | P77 | 2EHDBR-XXP | P77 | 2EEHDV-XXP | P77 | 2EEHDR-XXP | P77 | 2EHDR-XXP | P76 | 2EHDRR-XXPL | P76 | 2EHDR-XXPL | P76 | 2EHDRRC-XXPL | P76 | | | Please refer to the related page number for the compatible headers. | | | |
| Technical Data | UL | IEC | | | | | | | | | | | | | | | | | | | | | | | | | | | | | | | | | | | | | | | | | | | | | | | | | | | | | | | | | | | | | | | | | | | | | | | | | | | | | | | | | | | | | | | | | | | | | | | | | | | | | | | | | | | | | | | | | | | | | | | | | | | | | | | | | | | | | | | | |
| Rated voltage | 300V | 600V | | | | | | | | | | | | | | | | | | | | | | | | | | | | | | | | | | | | | | | | | | | | | | | | | | | | | | | | | | | | | | | | | | | | | | | | | | | | | | | | | | | | | | | | | | | | | | | | | | | | | | | | | | | | | | | | | | | | | | | | | | | | | | | | | | | | | | | | |
| Rated current | 15A | 18A | | | | | | | | | | | | | | | | | | | | | | | | | | | | | | | | | | | | | | | | | | | | | | | | | | | | | | | | | | | | | | | | | | | | | | | | | | | | | | | | | | | | | | | | | | | | | | | | | | | | | | | | | | | | | | | | | | | | | | | | | | | | | | | | | | | | | | | | |
| Solid (AWG/mm ²) | 24~12 | 0.2~4 | | | | | | | | | | | | | | | | | | | | | | | | | | | | | | | | | | | | | | | | | | | | | | | | | | | | | | | | | | | | | | | | | | | | | | | | | | | | | | | | | | | | | | | | | | | | | | | | | | | | | | | | | | | | | | | | | | | | | | | | | | | | | | | | | | | | | | | | |
| Flexible (AWG/mm ²) | 24~12 | 0.2~2.5 | | | | | | | | | | | | | | | | | | | | | | | | | | | | | | | | | | | | | | | | | | | | | | | | | | | | | | | | | | | | | | | | | | | | | | | | | | | | | | | | | | | | | | | | | | | | | | | | | | | | | | | | | | | | | | | | | | | | | | | | | | | | | | | | | | | | | | | | |
| Rated impulse voltage | | 4KV | | | | | | | | | | | | | | | | | | | | | | | | | | | | | | | | | | | | | | | | | | | | | | | | | | | | | | | | | | | | | | | | | | | | | | | | | | | | | | | | | | | | | | | | | | | | | | | | | | | | | | | | | | | | | | | | | | | | | | | | | | | | | | | | | | | | | | | | |
| Torque (N-m) | 0.4~0.5 | | | | | | | | | | | | | | | | | | | | | | | | | | | | | | | | | | | | | | | | | | | | | | | | | | | | | | | | | | | | | | | | | | | | | | | | | | | | | | | | | | | | | | | | | | | | | | | | | | | | | | | | | | | | | | | | | | | | | | | | | | | | | | | | | | | | | | | | | |
| Screw | M2.5 | | | | | | | | | | | | | | | | | | | | | | | | | | | | | | | | | | | | | | | | | | | | | | | | | | | | | | | | | | | | | | | | | | | | | | | | | | | | | | | | | | | | | | | | | | | | | | | | | | | | | | | | | | | | | | | | | | | | | | | | | | | | | | | | | | | | | | | | | |
| Wire strip length | 9~10mm | | | | | | | | | | | | | | | | | | | | | | | | | | | | | | | | | | | | | | | | | | | | | | | | | | | | | | | | | | | | | | | | | | | | | | | | | | | | | | | | | | | | | | | | | | | | | | | | | | | | | | | | | | | | | | | | | | | | | | | | | | | | | | | | | | | | | | | | | |
| Number of Positions | | | | | | | | | | | | | | | | | | | | | | | | | | | | | | | | | | | | | | | | | | | | | | | | | | | | | | | | | | | | | | | | | | | | | | | | | | | | | | | | | | | | | | | | | | | | | | | | | | | | | | | | | | | | | | | | | | | | | | | | | | | | | | | | | | | | | | | | | | |
| 02~24P | | | | | | | | | | | | | | | | | | | | | | | | | | | | | | | | | | | | | | | | | | | | | | | | | | | | | | | | | | | | | | | | | | | | | | | | | | | | | | | | | | | | | | | | | | | | | | | | | | | | | | | | | | | | | | | | | | | | | | | | | | | | | | | | | | | | | | | | | | |
| 2EHDV-XXP | P76 | 2EHDR-XXP | P76 | | | | | | | | | | | | | | | | | | | | | | | | | | | | | | | | | | | | | | | | | | | | | | | | | | | | | | | | | | | | | | | | | | | | | | | | | | | | | | | | | | | | | | | | | | | | | | | | | | | | | | | | | | | | | | | | | | | | | | | | | | | | | | | | | | | | | | | |
| 2EHDV-XXPL | P76 | 2EHDR-XXPL | P76 | | | | | | | | | | | | | | | | | | | | | | | | | | | | | | | | | | | | | | | | | | | | | | | | | | | | | | | | | | | | | | | | | | | | | | | | | | | | | | | | | | | | | | | | | | | | | | | | | | | | | | | | | | | | | | | | | | | | | | | | | | | | | | | | | | | | | | | |
| 2EHDVC-XXP | P76 | 2EHDA-XXP | P75 | | | | | | | | | | | | | | | | | | | | | | | | | | | | | | | | | | | | | | | | | | | | | | | | | | | | | | | | | | | | | | | | | | | | | | | | | | | | | | | | | | | | | | | | | | | | | | | | | | | | | | | | | | | | | | | | | | | | | | | | | | | | | | | | | | | | | | | |
| 2EHDVC-XXPL | P76 | 2EHDAC-XXP | P75 | | | | | | | | | | | | | | | | | | | | | | | | | | | | | | | | | | | | | | | | | | | | | | | | | | | | | | | | | | | | | | | | | | | | | | | | | | | | | | | | | | | | | | | | | | | | | | | | | | | | | | | | | | | | | | | | | | | | | | | | | | | | | | | | | | | | | | | |
| 2EHDBV-XXP | P77 | 2EHDBR-XXP | P77 | | | | | | | | | | | | | | | | | | | | | | | | | | | | | | | | | | | | | | | | | | | | | | | | | | | | | | | | | | | | | | | | | | | | | | | | | | | | | | | | | | | | | | | | | | | | | | | | | | | | | | | | | | | | | | | | | | | | | | | | | | | | | | | | | | | | | | | |
| 2EEHDV-XXP | P77 | 2EEHDR-XXP | P77 | | | | | | | | | | | | | | | | | | | | | | | | | | | | | | | | | | | | | | | | | | | | | | | | | | | | | | | | | | | | | | | | | | | | | | | | | | | | | | | | | | | | | | | | | | | | | | | | | | | | | | | | | | | | | | | | | | | | | | | | | | | | | | | | | | | | | | | |
| 2EHDR-XXP | P76 | 2EHDRR-XXPL | P76 | | | | | | | | | | | | | | | | | | | | | | | | | | | | | | | | | | | | | | | | | | | | | | | | | | | | | | | | | | | | | | | | | | | | | | | | | | | | | | | | | | | | | | | | | | | | | | | | | | | | | | | | | | | | | | | | | | | | | | | | | | | | | | | | | | | | | | | |
| 2EHDR-XXPL | P76 | 2EHDRRC-XXPL | P76 | | | | | | | | | | | | | | | | | | | | | | | | | | | | | | | | | | | | | | | | | | | | | | | | | | | | | | | | | | | | | | | | | | | | | | | | | | | | | | | | | | | | | | | | | | | | | | | | | | | | | | | | | | | | | | | | | | | | | | | | | | | | | | | | | | | | | | | |
| Technical Data | UL | IEC | | | | | | | | | | | | | | | | | | | | | | | | | | | | | | | | | | | | | | | | | | | | | | | | | | | | | | | | | | | | | | | | | | | | | | | | | | | | | | | | | | | | | | | | | | | | | | | | | | | | | | | | | | | | | | | | | | | | | | | | | | | | | | | | | | | | | | | | |
| Rated voltage | 300V | 600V | | | | | | | | | | | | | | | | | | | | | | | | | | | | | | | | | | | | | | | | | | | | | | | | | | | | | | | | | | | | | | | | | | | | | | | | | | | | | | | | | | | | | | | | | | | | | | | | | | | | | | | | | | | | | | | | | | | | | | | | | | | | | | | | | | | | | | | | |
| Rated current | 20A | 24A | | | | | | | | | | | | | | | | | | | | | | | | | | | | | | | | | | | | | | | | | | | | | | | | | | | | | | | | | | | | | | | | | | | | | | | | | | | | | | | | | | | | | | | | | | | | | | | | | | | | | | | | | | | | | | | | | | | | | | | | | | | | | | | | | | | | | | | | |
| Solid (AWG/mm ²) | 28~12 | 0.2~4 | | | | | | | | | | | | | | | | | | | | | | | | | | | | | | | | | | | | | | | | | | | | | | | | | | | | | | | | | | | | | | | | | | | | | | | | | | | | | | | | | | | | | | | | | | | | | | | | | | | | | | | | | | | | | | | | | | | | | | | | | | | | | | | | | | | | | | | | |
| Flexible (AWG/mm ²) | 30~12 | 0.2~2.5 | | | | | | | | | | | | | | | | | | | | | | | | | | | | | | | | | | | | | | | | | | | | | | | | | | | | | | | | | | | | | | | | | | | | | | | | | | | | | | | | | | | | | | | | | | | | | | | | | | | | | | | | | | | | | | | | | | | | | | | | | | | | | | | | | | | | | | | | |
| Rated impulse voltage | | 4KV | | | | | | | | | | | | | | | | | | | | | | | | | | | | | | | | | | | | | | | | | | | | | | | | | | | | | | | | | | | | | | | | | | | | | | | | | | | | | | | | | | | | | | | | | | | | | | | | | | | | | | | | | | | | | | | | | | | | | | | | | | | | | | | | | | | | | | | | |
| Torque (N-m) | 0.4~0.5 | | | | | | | | | | | | | | | | | | | | | | | | | | | | | | | | | | | | | | | | | | | | | | | | | | | | | | | | | | | | | | | | | | | | | | | | | | | | | | | | | | | | | | | | | | | | | | | | | | | | | | | | | | | | | | | | | | | | | | | | | | | | | | | | | | | | | | | | | |
| Wire strip length | 7~8mm | | | | | | | | | | | | | | | | | | | | | | | | | | | | | | | | | | | | | | | | | | | | | | | | | | | | | | | | | | | | | | | | | | | | | | | | | | | | | | | | | | | | | | | | | | | | | | | | | | | | | | | | | | | | | | | | | | | | | | | | | | | | | | | | | | | | | | | | | |
| Number of Positions | | | | | | | | | | | | | | | | | | | | | | | | | | | | | | | | | | | | | | | | | | | | | | | | | | | | | | | | | | | | | | | | | | | | | | | | | | | | | | | | | | | | | | | | | | | | | | | | | | | | | | | | | | | | | | | | | | | | | | | | | | | | | | | | | | | | | | | | | | |
| 02~24P | | | | | | | | | | | | | | | | | | | | | | | | | | | | | | | | | | | | | | | | | | | | | | | | | | | | | | | | | | | | | | | | | | | | | | | | | | | | | | | | | | | | | | | | | | | | | | | | | | | | | | | | | | | | | | | | | | | | | | | | | | | | | | | | | | | | | | | | | | |
| 2EHDV-XXP | P76 | 2EHDR-XXP | P76 | | | | | | | | | | | | | | | | | | | | | | | | | | | | | | | | | | | | | | | | | | | | | | | | | | | | | | | | | | | | | | | | | | | | | | | | | | | | | | | | | | | | | | | | | | | | | | | | | | | | | | | | | | | | | | | | | | | | | | | | | | | | | | | | | | | | | | | |
| 2EHDV-XXPL | P76 | 2EHDR-XXPL | P76 | | | | | | | | | | | | | | | | | | | | | | | | | | | | | | | | | | | | | | | | | | | | | | | | | | | | | | | | | | | | | | | | | | | | | | | | | | | | | | | | | | | | | | | | | | | | | | | | | | | | | | | | | | | | | | | | | | | | | | | | | | | | | | | | | | | | | | | |
| 2EHDVC-XXP | P76 | 2EHDA-XXP | P75 | | | | | | | | | | | | | | | | | | | | | | | | | | | | | | | | | | | | | | | | | | | | | | | | | | | | | | | | | | | | | | | | | | | | | | | | | | | | | | | | | | | | | | | | | | | | | | | | | | | | | | | | | | | | | | | | | | | | | | | | | | | | | | | | | | | | | | | |
| 2EHDVC-XXPL | P76 | 2EHDAC-XXP | P75 | | | | | | | | | | | | | | | | | | | | | | | | | | | | | | | | | | | | | | | | | | | | | | | | | | | | | | | | | | | | | | | | | | | | | | | | | | | | | | | | | | | | | | | | | | | | | | | | | | | | | | | | | | | | | | | | | | | | | | | | | | | | | | | | | | | | | | | |
| 2EHDBV-XXP | P77 | 2EHDBR-XXP | P77 | | | | | | | | | | | | | | | | | | | | | | | | | | | | | | | | | | | | | | | | | | | | | | | | | | | | | | | | | | | | | | | | | | | | | | | | | | | | | | | | | | | | | | | | | | | | | | | | | | | | | | | | | | | | | | | | | | | | | | | | | | | | | | | | | | | | | | | |
| 2EEHDV-XXP | P77 | 2EEHDR-XXP | P77 | | | | | | | | | | | | | | | | | | | | | | | | | | | | | | | | | | | | | | | | | | | | | | | | | | | | | | | | | | | | | | | | | | | | | | | | | | | | | | | | | | | | | | | | | | | | | | | | | | | | | | | | | | | | | | | | | | | | | | | | | | | | | | | | | | | | | | | |
| 2EHDR-XXP | P76 | 2EHDRR-XXPL | P76 | | | | | | | | | | | | | | | | | | | | | | | | | | | | | | | | | | | | | | | | | | | | | | | | | | | | | | | | | | | | | | | | | | | | | | | | | | | | | | | | | | | | | | | | | | | | | | | | | | | | | | | | | | | | | | | | | | | | | | | | | | | | | | | | | | | | | | | |
| 2EHDR-XXPL | P76 | 2EHDRRC-XXPL | P76 | | | | | | | | | | | | | | | | | | | | | | | | | | | | | | | | | | | | | | | | | | | | | | | | | | | | | | | | | | | | | | | | | | | | | | | | | | | | | | | | | | | | | | | | | | | | | | | | | | | | | | | | | | | | | | | | | | | | | | | | | | | | | | | | | | | | | | | |
| | | | 2ESDFM-XXP | | | Socket | | | | | | | | | | | | | | | | | | | | | | | | | | | | | | | | | | | | | | | | | | | | | | | | | | | | | | | | | | | | | | | | | | | | | | | | | | | | | | | | | | | | | | | | | | | | | | | | | | | | | | | | | | | | | | | | | | | | | | | | | | | | | | | | | | | | |
| | | | | <table border="1"> <tr><td>2EHDVM-XXP</td><td>P76</td><td>2EHDRM-XXPL</td><td>P76</td></tr> <tr><td>2EHDVM-XXPL</td><td>P76</td><td>2EHDBRM-XXP</td><td>P77</td></tr> <tr><td>2EHDBVM-XXP</td><td>P77</td><td>2EEHDRM-XXP</td><td>P77</td></tr> <tr><td>2EEHDVM-XXP</td><td>P77</td><td>2EHDRRM-XXPL</td><td>P76</td></tr> <tr><td>2EHDRM-XXP</td><td>P76</td><td></td><td></td></tr> </table> | 2EHDVM-XXP | P76 | 2EHDRM-XXPL | P76 | 2EHDVM-XXPL | P76 | 2EHDBRM-XXP | P77 | 2EHDBVM-XXP | P77 | 2EEHDRM-XXP | P77 | 2EEHDVM-XXP | P77 | 2EHDRRM-XXPL | P76 | 2EHDRM-XXP | P76 | | | Please refer to the related page number for the compatible headers. | | | | | | | | | | | | | | | | | | | | | | | | | | | | | | | | | | | | | | | | | | | | | | | | | | | | | | | | | | | | | | | | | | | | | | | | | | | | | | | | | | | | | | | | | | | | | | | | | | | | | | | | | | | | | | | | | |
| 2EHDVM-XXP | P76 | 2EHDRM-XXPL | P76 | | | | | | | | | | | | | | | | | | | | | | | | | | | | | | | | | | | | | | | | | | | | | | | | | | | | | | | | | | | | | | | | | | | | | | | | | | | | | | | | | | | | | | | | | | | | | | | | | | | | | | | | | | | | | | | | | | | | | | | | | | | | | | | | | | | | | | | |
| 2EHDVM-XXPL | P76 | 2EHDBRM-XXP | P77 | | | | | | | | | | | | | | | | | | | | | | | | | | | | | | | | | | | | | | | | | | | | | | | | | | | | | | | | | | | | | | | | | | | | | | | | | | | | | | | | | | | | | | | | | | | | | | | | | | | | | | | | | | | | | | | | | | | | | | | | | | | | | | | | | | | | | | | |
| 2EHDBVM-XXP | P77 | 2EEHDRM-XXP | P77 | | | | | | | | | | | | | | | | | | | | | | | | | | | | | | | | | | | | | | | | | | | | | | | | | | | | | | | | | | | | | | | | | | | | | | | | | | | | | | | | | | | | | | | | | | | | | | | | | | | | | | | | | | | | | | | | | | | | | | | | | | | | | | | | | | | | | | | |
| 2EEHDVM-XXP | P77 | 2EHDRRM-XXPL | P76 | | | | | | | | | | | | | | | | | | | | | | | | | | | | | | | | | | | | | | | | | | | | | | | | | | | | | | | | | | | | | | | | | | | | | | | | | | | | | | | | | | | | | | | | | | | | | | | | | | | | | | | | | | | | | | | | | | | | | | | | | | | | | | | | | | | | | | | |
| 2EHDRM-XXP | P76 | | | | | | | | | | | | | | | | | | | | | | | | | | | | | | | | | | | | | | | | | | | | | | | | | | | | | | | | | | | | | | | | | | | | | | | | | | | | | | | | | | | | | | | | | | | | | | | | | | | | | | | | | | | | | | | | | | | | | | | | | | | | | | | | | | | | | | | | | |
| | | | | | | | | | | | | | | | | | | | | | | | | | | | | | | | | | | | | | | | | | | | | | | | | | | | | | | | | | | | | | | | | | | | | | | | | | | | | | | | | | | | | | | | | | | | | | | | | | | | | | | | | | | | | | | | | | | | | | | | | | | | | | | | | | | | | | | | | | | |

| 5.08mm | | |
|---------------------------------|---------|---------|
| Technical Data | UL | IEC |
| Rated voltage | 300V | 600V |
| Rated current | 15A | 18A |
| Solid (AWG/mm ²) | 28~12 | 0.2~4 |
| Flexible (AWG/mm ²) | 30~12 | 0.2~2.5 |
| Rated impulse voltage | 4KV | |
| Torque (N-m) | 0.4~0.5 | |
| Screw | M2.5 | |
| Wire strip length | 7~8mm | |
| Number of Positions | | |
| 2ESDV-XXP | 02~24P | |
| 2ESDA-XXP | | |
| 2ESDV-XXP | | |
| 2ESDAM-XXP | | |
| 2ESDPM-XXP | | |
| 2ESDPLM-XXP | | |
| 2ESDVNM-XXP | 02~26P | |
| 2ESDP-XXP | | |
| 2ESDPL-XXP | | |
| 2ESDL-XXP | 03~10P | |
| Accessories | | |
| ESDK1 | P66 | |
| ESDK2 | P66 | |

2ESDV-XXP

UL, IEC, CE, D'E

2ESDA-XXP

UL, IEC, CE, D'E

2ESDP-XXP

UL, IEC, CE, D'E

2ESDPL-XXP

UL, IEC, CE, D'E

2ESDL-XXP

UL, IEC, CE, D'E

Build to order

| Socket | | | |
|--------------------|-----|---------------------|-----|
| 2EHDV-XXP | P76 | 2EHDRC-XXP | P76 |
| 2EHDV-XXPL | P76 | 2EHDRC-XXPL | P76 |
| 2EHDVC-XXP | P76 | 2EHDA-XXP | P75 |
| 2EHDVC-XXPL | P76 | 2EHDAC-XXP | P75 |
| 2EHDVB-XXP | P77 | 2EHDBR-XXP | P77 |
| 2EEHDV-XXP | P77 | 2EEHDR-XXP | P77 |
| 2EHDR-XXP | P76 | 2EHDRR-XXPL | P76 |
| 2EHDR-XXPL | P76 | 2EHDRRC-XXPL | P76 |

Please refer to the related page number for the compatible headers.

2ESDVM-XXP

UL, IEC, CE, D'E

2ESDAM-XXP

UL, IEC, CE, D'E

2ESDPM-XXP

UL, IEC, CE, D'E

2ESDPLM-XXP

UL, IEC, CE, D'E

2ESDVNM-XXP

UL, IEC, CE, D'E

Hook Removed

| Socket | | | |
|--------------------|-----|---------------------|-----|
| 2EHDVM-XXP | P76 | 2EHDRM-XXPL | P76 |
| 2EHDVM-XXPL | P76 | 2EHDBRM-XXP | P77 |
| 2EHDBVM-XXP | P77 | 2EEHDRM-XXP | P77 |
| 2EEHDVM-XXP | P77 | 2EHDRRM-XXPL | P76 |
| 2EHDRM-XXP | P76 | | |

Please refer to the related page number for the compatible headers.

| 5.08mm | | |
|---------------------------------|---------|---------|
| Technical Data | UL | IEC |
| Rated voltage | 300V | 630V |
| Rated current | 15A | 18A |
| Solid (AWG/mm ²) | 28~12 | 0.2~4 |
| Flexible (AWG/mm ²) | 30~12 | 0.2~2.5 |
| Rated impulse voltage | 4KV | |
| Torque (N-m) | 0.4~0.6 | |
| Screw | M2.5 | |
| Wire strip length | 7~8mm | |
| Number of Positions | | |
| 03P | | |

2ESDVS-03P



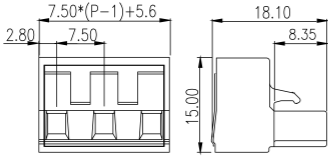
UL, IEC, CE, D'E

| Socket | | | |
|--------------------|-----|---------------------|-----|
| 2EHDA-XXP | P75 | 2EHDV-XXP | P76 |
| 2EHDAC-XXP | P75 | 2EHDVC-XXP | P76 |
| 2EHDR-XXP | P76 | 2EHDV-XXPL | P76 |
| 2EHDRC-XXP | P76 | 2EHDVC-XXPL | P76 |
| 2EHDR-XXPL | P76 | 2EHDRR-XXPL | P76 |
| 2EHDRC-XXPL | P76 | 2EHDRRC-XXPL | P76 |



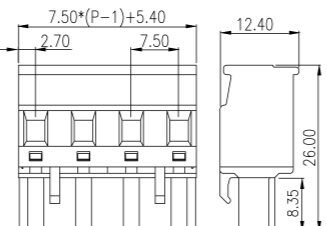
Please refer to the related page number for the compatible headers.

| 7.50mm | | |
|---------------------------------|---------|---------|
| Technical Data | UL | IEC |
| Rated voltage | 300V | 800V |
| Rated current | 15A | 18A |
| Solid (AWG/mm ²) | 28~12 | 0.2~4 |
| Flexible (AWG/mm ²) | 30~12 | 0.2~2.5 |
| Rated impulse voltage | | 6KV |
| Torque (N·m) | 0.4~0.5 | |
| Screw | M2.5 | |
| Wire strip length | 7~8mm | |
| Number of Positions | | |
| 7ESDP-XXP | 02~11P | |
| 7ESDPL-XXP | | |
| 7ESDPM-XXP | | |
| 7ESDPLM-XXP | | |
| 7ESDV-XXP | | |
| 7ESDVM-XXP | 02~12P | |
| Accessories | | |
| ESDK1 | P66 | |
| ESDK2 | P66 | |



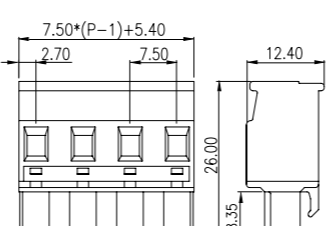
7ESDV-XXP



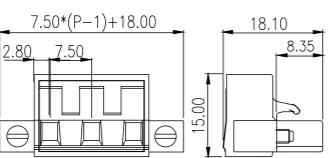
7ESDP-XXP



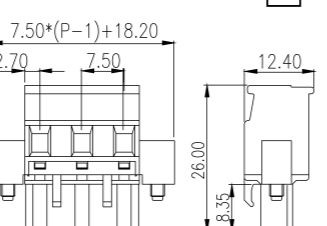
7ESDPL-XXP



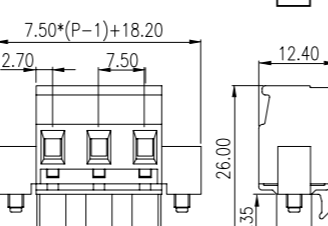
7ESDVM-XXP

7ESDPM-XXP



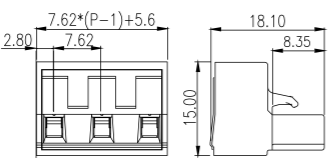




7ESDPLM-XXP



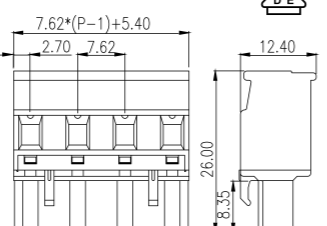




| 7.62mm | | |
|---------------------------------|---------|---------|
| Technical Data | UL | IEC |
| Rated voltage | 300V | 800V |
| Rated current | 15A | 18A |
| Solid (AWG/mm ²) | | |
| 3ESDV-XXP | 28~12 | |
| 3ESDP-XXP | | |
| 3ESDVM-XXP | | |
| 3ESDPM-XXP | 0.2~4 | |
| Flexible (AWG/mm ²) | 30~12 | 0.2~2.5 |
| Rated impulse voltage | | 6KV |
| Torque (N·m) | 0.4~0.5 | |
| Screw | M2.5 | |
| Wire strip length | 7~8mm | |
| Number of Positions | | |
| 3ESDV-XXP | 02~12P | |
| 3ESDP-XXP | | |
| 3ESDPL-XXP | | |
| 3ESDPM-XXP | | |
| 3ESDPLM-XXP | | |
| 3ESDVM-XXP | 02~14P | |
| Accessories | | |
| ESDK1 | P66 | |
| ESDK2 | P66 | |



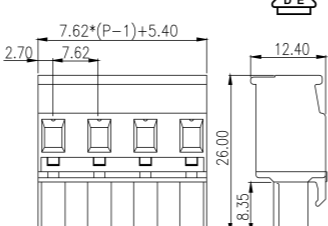
3ESDV-XXP



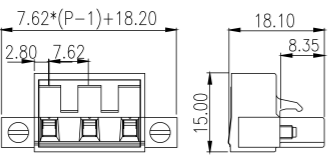
3ESDP-XXP



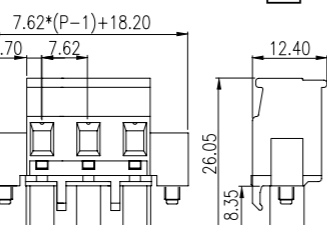
3ESDPL-XXP



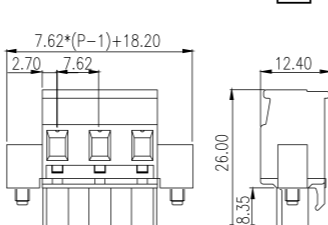
3ESDVM-XXP

3ESDPM-XXP

3ESDPLM-XXP

| Socket | |
|-------------------|-----|
| 7EHDV-XXP | P78 |
| 7EHDVC-XXP | P78 |
| 7EHDR-XXP | P78 |
| 7EHDRC-XXP | P78 |

Please refer to the related page number for the compatible headers.

| Socket | |
|-------------------|-----|
| 7EHDVM-XXP | P78 |
| 7EHDRM-XXP | P78 |

Please refer to the related page number for the compatible headers.

| Socket | |
|-------------------|-----|
| 3EHDV-XXP | P78 |
| 3EHDVC-XXP | P78 |
| 3EHDR-XXP | P78 |
| 3EHDRC-XXP | P78 |



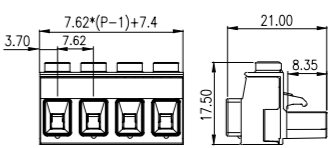
Please refer to the related page number for the compatible headers.

| Socket | |
|-------------------|-----|
| 3EHDVM-XXP | P78 |
| 3EHDRM-XXP | P78 |



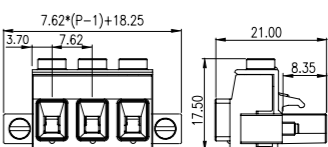
Please refer to the related page number for the compatible headers.

| 7.62mm | | |
|---------------------------------|-------|---------|
| Technical Data | UL | IEC |
| Rated voltage | 600V | 1000V |
| Rated current | 20A | 16A |
| Solid (AWG/mm ²) | 28~12 | 0.2~2.5 |
| Flexible (AWG/mm ²) | 30~12 | 0.2~2.5 |
| Rated impulse voltage | | 8KV |
| Torque (N·m) | 0.5 | |
| Screw | M2.5 | |
| Wire strip length | 7~8mm | |
| Number of Positions | | |
| 02~12P | | |

3ESDVH-XXP 600V

3ESDVHM-XXP 600V

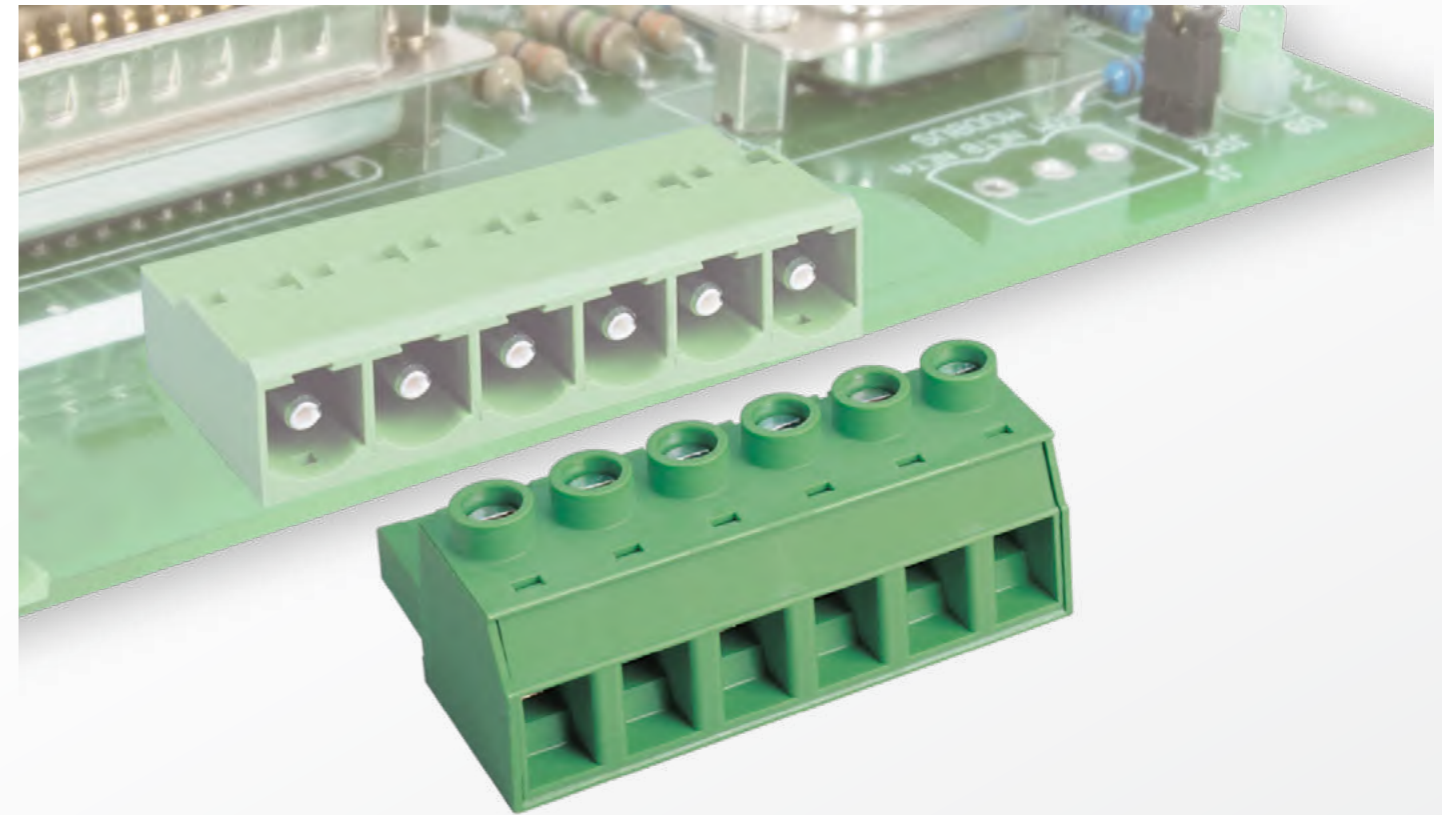
| Socket | |
|-------------------|-----|
| 3EHDV-XXP | P78 |
| 3EHDVC-XXP | P78 |
| 3EHDR-XXP | P78 |
| 3EHDRC-XXP | P78 |

Please refer to the related page number for the compatible headers.

| Socket | |
|-------------------|-----|
| 3EHDVM-XXP | P78 |
| 3EHDRM-XXP | P78 |

Please refer to the related page number for the compatible headers.

Screw Connection Plugs - High Power Application



Connection method: Screw connection

Pitch: 7.62mm / 10.16mm / 15.00mm

UL Rated: 600V / 15A ~ 600V / 115A

IEC Rated: 320V / 24A ~ 1000V / 125A

- 3ESNP series plug has a voltage capacity of 600V and current capacity up to 18A in a compact structure, and can be used with standard 3EHD series socket
- EC762 series has a high current capacity up to 40A UL rating , and adopts M3 screw with connection up to 4mm² stranded wire
- 02~06P are available in horizontal design
- EC116V series plug has a current capacity of 51A UL rating and 75A IEC rating

The socket versions include vertical and horizontal plug-in direction to the PCB and an inverted version is available where solder-in direction is rotated by 180.



3ESNP series



EC762 series

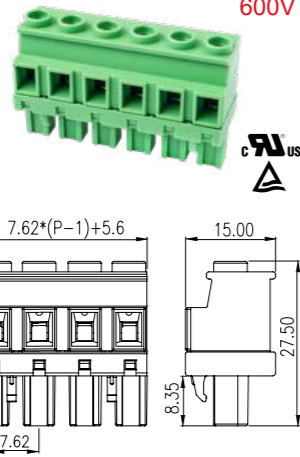


EC116V series

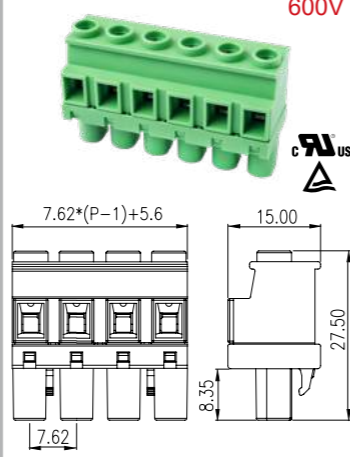
7.62mm

| Technical Data | UL | IEC |
|---------------------------------|---------|---------|
| Rated voltage | 600V | 1000V |
| Rated current | 15A | 24A |
| Solid (AWG/mm ²) | 28~12 | 0.2~2.5 |
| Flexible (AWG/mm ²) | 28~12 | 0.2~2.5 |
| Rated impulse voltage | | 8KV |
| Torque (N·m) | 0.4~0.5 | |
| Screw | M2.5 | |
| Wire strip length | 7~8mm | |
| Number of Positions | | |
| 02~12P | | |
| Accessories | | |
| ESDK1 | P66 | |
| ESDK2 | P66 | |

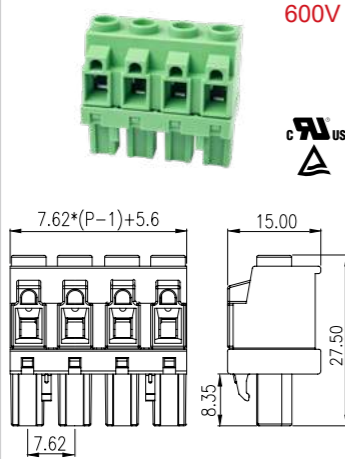
3ESNP-XXP



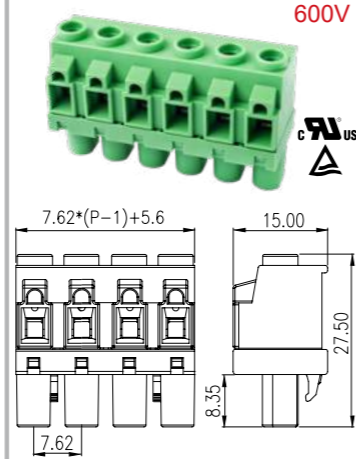
3ESNPL-XXP



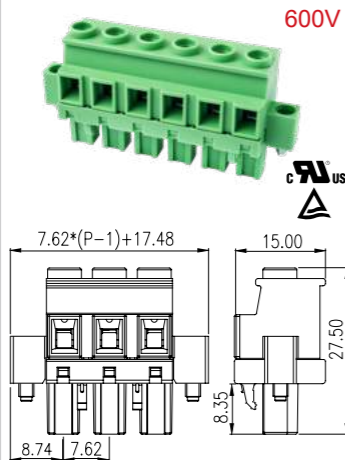
3ESNPS-XXP



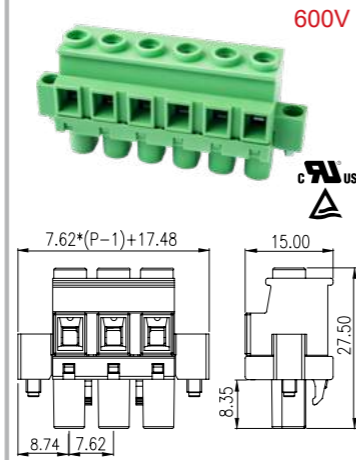
3ESNPLS-XXP



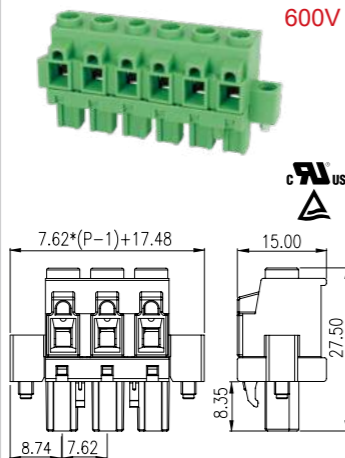
3ESNPM-XXP



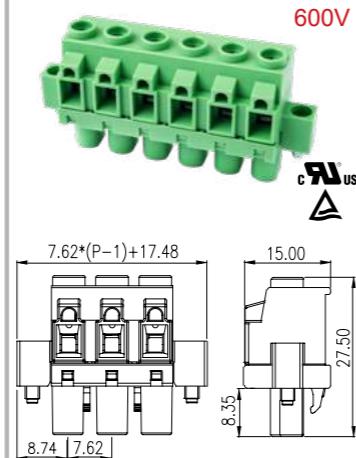
3ESNPLM-XXP



3ESNPSM-XXP



3ESNPLSM-XXP



Socket

| | |
|------------|-----|
| 3EHDV-XXP | P78 |
| 3EHDVC-XXP | P78 |
| 3EHDR-XXP | P78 |
| 3EHDRC-XXP | P78 |

Please refer to the related page number for the compatible headers.

Socket

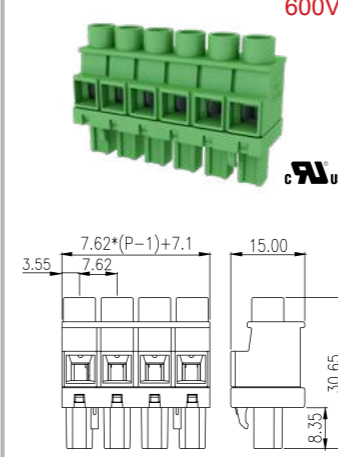
| | |
|------------|-----|
| 3EHDVM-XXP | P78 |
| 3EHDRM-XXP | P78 |

Please refer to the related page number for the compatible headers.

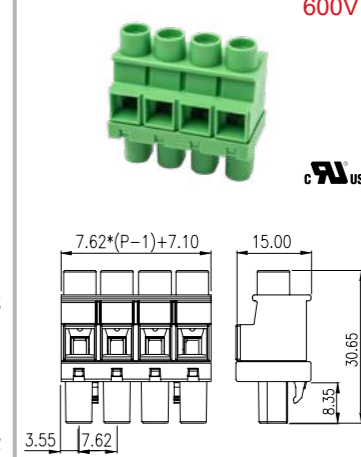
7.62mm

| Technical Data | UL | IEC |
|---------------------------------|---------|-------|
| Rated voltage | 600V | 1000V |
| Rated current | 25A | 24A |
| Solid (AWG/mm ²) | 28~10 | 0.2~4 |
| Flexible (AWG/mm ²) | 28~10 | 0.2~4 |
| Rated impulse voltage | | 8KV |
| Torque (N·m) | 0.5~0.6 | |
| Screw | M3 | |
| Wire strip length | 7~8mm | |
| Number of Positions | | |
| 02~12P | | |
| Accessories | | |
| ESDK1 | P66 | |
| ESDK2 | P66 | |

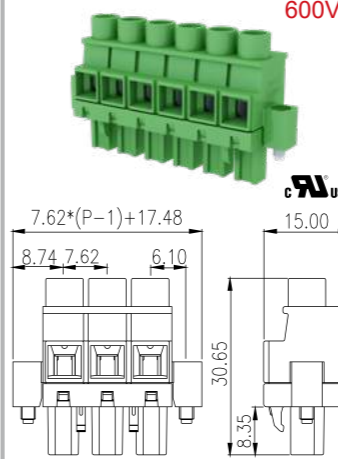
3ESNPH-XXP



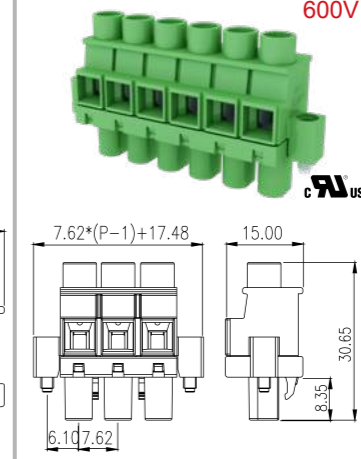
3ESNPHL-XXP



3ESNPHM-XXP



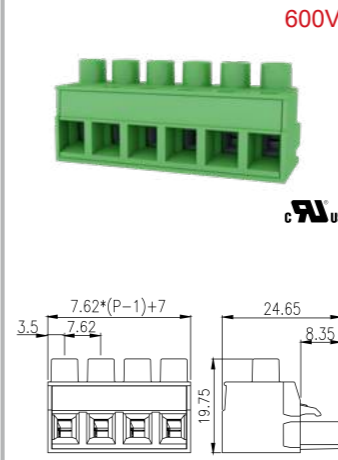
3ESNPHLM-XXP



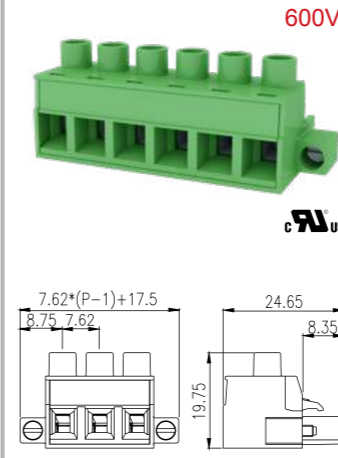
7.62mm

| Technical Data | UL | IEC |
|---------------------------------|---------|-------|
| Rated voltage | 600V | 1000V |
| Rated current | 25A | 24A |
| Solid (AWG/mm ²) | 28~10 | 0.2~4 |
| Flexible (AWG/mm ²) | 28~10 | 0.2~4 |
| Rated impulse voltage | | 8KV |
| Torque (N·m) | 0.5~0.6 | |
| Screw | M3 | |
| Wire strip length | 7~8mm | |
| Number of Positions | | |
| 02~12P | | |
| Accessories | | |
| ESDK1 | P66 | |

3ESNVH-XXP



3ESNVHM-XXP



Socket

| | |
|------------|-----|
| 3EHDV-XXP | P78 |
| 3EHDVC-XXP | P78 |
| 3EHDR-XXP | P78 |
| 3EHDRC-XXP | P78 |

Please refer to the related page number for the compatible headers.

Socket

| | |
|------------|-----|
| 3EHDVM-XXP | P78 |
| 3EHDRM-XXP | P78 |

Please refer to the related page number for the compatible headers.

Socket



| | |
|------------|-----|
| 3EHDV-XXP | P78 |
| 3EHDVC-XXP | P78 |
| 3EHDR-XXP | P78 |
| 3EHDRC-XXP | P78 |



Please refer to the related page number for the compatible headers.


Socket



| | |
|------------|-----|
| 3EHDVM-XXP | P78 |
| 3EHDRM-XXP | P78 |



Please refer to the related page number for the compatible headers.



| 7.62mm | | | EC762HV-XXP | | EC762HVN-XXP | | Socket | |
|---------------------------------|---------|-------|---|------|---|------|---|-----|
| Technical Data | UL | IEC |  | 600V |  | 600V | ECH762V-XXP | P79 |
| Rated voltage | 600V | 1000V | | | | | ECH762R-XXP | P79 |
| Rated current | 41A | 41A | | | | | ECH762RR-XXP | P79 |
| Solid (AWG/mm ²) | 30-8 | 0.2-6 | | | | | ECH762HR-XXP | P79 |
| Flexible (AWG/mm ²) | 30-8 | 0.2-6 | | | | | ECH762HRR-XXP | P79 |
| Rated impulse voltage | | 8KV | | | | | Please refer to the related page number for the compatible headers. | |
| Torque (N-m) | 0.5-0.6 | | | | | | | |
| Screw | M3 | | | | | | | |
| Wire strip length | 10-11mm | | | | | | | |
| Number of Positions | | | | | | | | |
| 02-12P | | | | | | | | |
| Accessories | | | | | | | | |
| ECHK2 | P66 | | | | | | | |



| 7.62mm | | | EC762HVM-XXP | | EC762HVM-XXP | | Socket | |
|---------------------------------|---------|-------|---|------|---|------|---|-----|
| Technical Data | UL | IEC |  | 600V |  | 600V | ECH762VM-XXP | P79 |
| Rated voltage | 600V | 1000V | | | | | ECH762RM-XXP | P79 |
| Rated current | 41A | 41A | | | | | ECH762RRM-XXP | P79 |
| Solid (AWG/mm ²) | 30-8 | 0.2-6 | | | | | ECH762RTM-XXP | P79 |
| Flexible (AWG/mm ²) | 30-8 | 0.2-6 | | | | | ECH762VTM-XXP | P79 |
| Rated impulse voltage | | 8KV | | | | | ECH762HRM-XXP | P79 |
| Torque (N-m) | 0.5-0.6 | | | | | | Please refer to the related page number for the compatible headers. | |
| Screw | M3 | | | | | | | |
| Wire strip length | 7-8mm | | | | | | | |
| Number of Positions | | | | | | | | |
| 02-12P | | | | | | | | |
| Accessories | | | | | | | | |
| ECHK2 | P66 | | | | | | | |

| 7.62mm | | | EC762HLNM-XXP | |
|---------------------------------|---------|-------|---|------|
| Technical Data | UL | IEC |  | 600V |
| Rated voltage | 600V | 1000V | | |
| Rated current | 41A | 41A | | |
| Solid (AWG/mm ²) | 30-8 | 0.2-6 | | |
| Flexible (AWG/mm ²) | 30-8 | 0.2-6 | | |
| Rated impulse voltage | | 8KV | | |
| Torque (N-m) | 0.5-0.6 | | | |
| Screw | M3 | | | |
| Wire strip length | 7-8mm | | | |
| Number of Positions | | | | |
| 02-04P&07P | | | | |
| Accessories | | | | |
| ESDK2 | P65 | | | |

| 7.62mm | | | 0183-01XX | | 7.62mm | | | 0183-11XX | |
|---------------------------------|---------|-------|---|--------|-----------------------|--------|------|---|------|
| Technical Data | UL | IEC |  | 600V | Technical Data | UL | IEC |  | 600V |
| Rated voltage | 600V | 630V | | | Rated voltage | 300V | 630V | | |
| Rated current | 25A | 32A | | | Rated current | 25A | 32A | | |
| Solid (AWG/mm ²) | 20-10 | 0.2-6 | | | Rated impulse voltage | | 6KV | | |
| Flexible (AWG/mm ²) | 20-10 | 0.2-6 | | | Number of Positions | | | | |
| Rated impulse voltage | | 6KV | | | 0183-11XX | 02-12P | | | |
| Torque (N-m) | 0.5-0.6 | | 0183-11XXTXX | 03-12P | | | | | |
| Screw | M3 | | | | | | | | |
| Wire strip length | 8-9mm | | | | | | | | |
| Number of Positions | | | | | | | | | |
| 0183-01XX | | | | | | | | | |
| 0183-01XXTXX | | | | | | | | | |


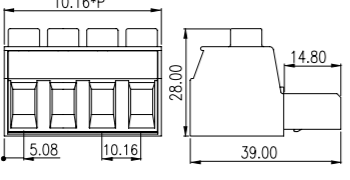
| 7.62mm | | | 0183-01XXTXX | | 7.62mm | | | 0183-11XXTXX | |
|---------------------------------|---------|-------|---|--------|-----------------------|--------|------|---|------|
| Technical Data | UL | IEC |  | 600V | Technical Data | UL | IEC |  | 600V |
| Rated voltage | 600V | 630V | | | Rated voltage | 300V | 630V | | |
| Rated current | 25A | 32A | | | Rated current | 25A | 32A | | |
| Solid (AWG/mm ²) | 20-10 | 0.2-6 | | | Rated impulse voltage | | 6KV | | |
| Flexible (AWG/mm ²) | 20-10 | 0.2-6 | | | Number of Positions | | | | |
| Rated impulse voltage | | 6KV | | | 0183-11XX | 02-12P | | | |
| Torque (N-m) | 0.5-0.6 | | 0183-11XXTXX | 03-12P | | | | | |
| Screw | M3 | | | | | | | | |
| Wire strip length | 8-9mm | | | | | | | | |
| Number of Positions | | | | | | | | | |
| 0183-01XX | | | | | | | | | |
| 0183-01XXTXX | | | | | | | | | |

| 8.80mm | | | EC880HV-XXP | | EC880HVT-XXP | |
|---------------------------------|-------|--------|---|------|---|------|
| Technical Data | UL | IEC |  | 600V |  | 600V |
| Rated voltage | 600V | 750V | | | | |
| Rated current | 65A | 57A | | | | |
| Solid (AWG/mm ²) | 20-6 | 0.5-10 | | | | |
| Flexible (AWG/mm ²) | 20-6 | 0.5-10 | | | | |
| Rated impulse voltage | | 8KV | | | | |
| Torque (N-m) | 1.8 | | | | | |
| Screw | M4 | | | | | |
| Wire strip length | 8-9mm | | | | | |
| Number of Positions | | | | | | |
| 02-12P | | | | | | |

| 8.80mm | | | ECH880HR-XXP | | ECH880RT-XXP | | | | | |
|-----------------------|------|------|---|------|---|------|--|--|--|--|
| Technical Data | UL | IEC |  | 600V |  | 600V | | | | |
| Rated voltage | 600V | 750V | | | | | | | | |
| Rated current | 65A | 57A | | | | | | | | |
| Rated impulse voltage | | 8KV | | | | | | | | |
| Number of Positions | | | | | | | | | | |
| 02-12P | | | | | | | | | | |

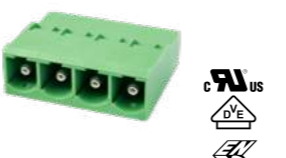
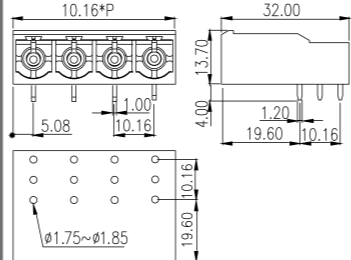
10.16mm EC116V-XXP

| Technical Data | UL | IEC |
|---------------------------------|---------|--------|
| Rated voltage | 600V | 1000V |
| Rated current | 51A | 76A |
| Solid (AWG/mm ²) | 16~6 | 0.5~16 |
| Flexible (AWG/mm ²) | 16~6 | 0.5~16 |
| Rated impulse voltage | 8KV | |
| Torque (N-m) | 1.2~1.5 | |
| Screw | M4 | |
| Wire strip length | 14~15mm | |
| Number of Positions | | |
| 02~10P | | |
| Accessories | | |
| ECHK2 | P66 | |

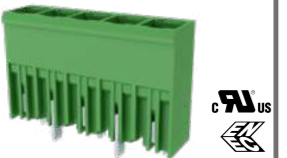
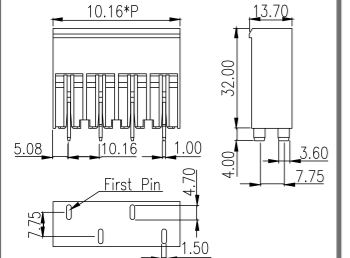



10.16mm ECH116R-XXP

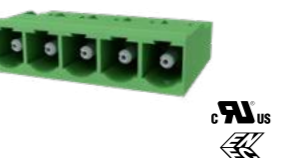
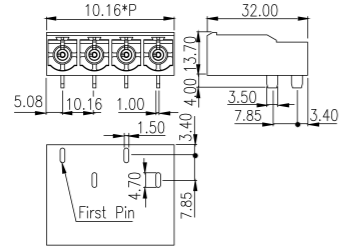
| Technical Data | UL | IEC |
|-----------------------|------|-------|
| Rated voltage | | |
| ECH116R-XXP | 300V | 1000V |
| ECH116L-XXP | | |
| ECH116HVS-XXP | 600V | |
| ECH116HRS-XXP | | |
| Rated current | 51A | 76A |
| Rated impulse voltage | 8KV | |
| Number of Positions | | |
| 02~10P | | |
| Accessories | | |
| ECHK2 | P66 | |

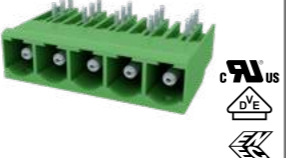
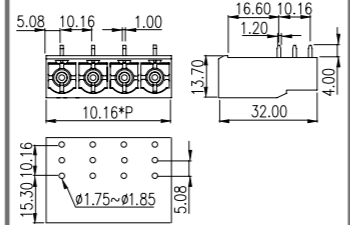
ECH116HVS-XXP

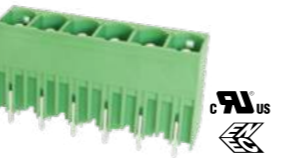
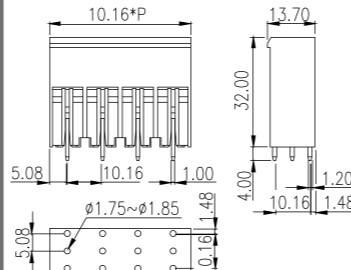
ECH116HRS-XXP

ECH116L-XXP


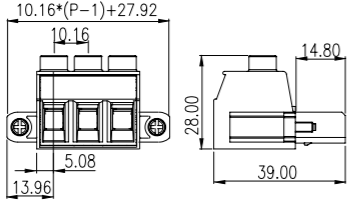



ECH116V-XXP


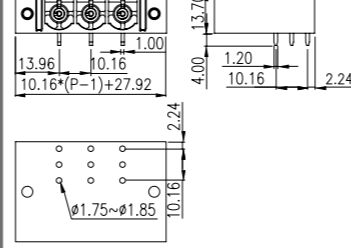
10.16mm EC116VM-XXP

| Technical Data | UL | IEC |
|---------------------------------|---------|--------|
| Rated voltage | 600V | 1000V |
| Rated current | 51A | 76A |
| Solid (AWG/mm ²) | 16~6 | 0.5~16 |
| Flexible (AWG/mm ²) | 16~6 | 0.5~16 |
| Rated impulse voltage | 8KV | |
| Torque (N-m) | 1.2~1.5 | |
| Screw | M4 | |
| Wire strip length | 14~15mm | |
| Number of Positions | | |
| 02~08P | | |
| Accessories | | |
| ECHK2 | P66 | |


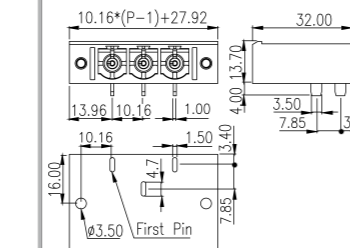



10.16mm ECH116RM-XXP


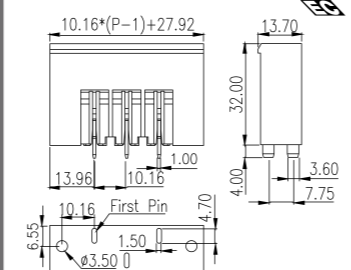
| Technical Data | UL | IEC |
|-----------------------|------|-------|
| Rated voltage | | |
| ECH116RM-XXP | 300V | 1000V |
| ECH116HVSM-XXP | | |
| ECH116HRSM-XXP | 600V | |
| Rated current | 51A | 76A |
| Rated impulse voltage | 8KV | |
| Number of Positions | | |
| 02~08P | | |
| Accessories | | |
| ECHK2 | P66 | |

ECH116HRSM-XXP


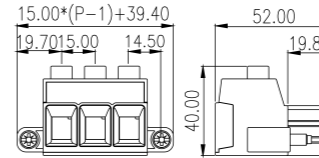



ECH116HVSM-XXP

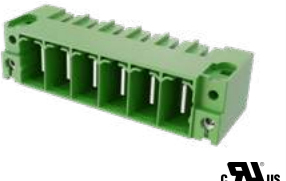
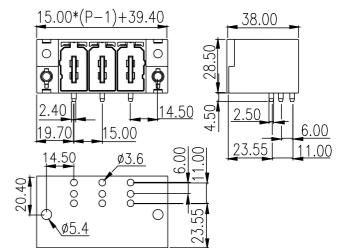
15.00mm EC150VM-XXP

| Technical Data | UL | IEC |
|---------------------------------|---------|--------|
| Rated voltage | 600V | 1000V |
| Rated current | 115A | 125A |
| Solid (AWG/mm ²) | 20~2 | 0.5~35 |
| Flexible (AWG/mm ²) | 20~2 | 0.5~35 |
| Rated impulse voltage | 8KV | |
| Torque (N-m) | 2.5~4 | |
| Screw | M5 | |
| Wire strip length | 19~20mm | |
| Number of Positions | | |
| 02~08P | | |

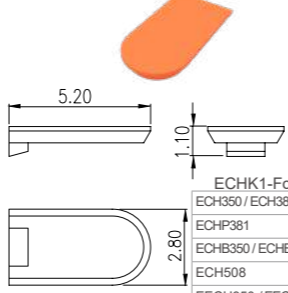



15.00mm ECH150RM-XXP

| Technical Data | UL | IEC |
|-----------------------|------|-------|
| Rated voltage | 600V | 1000V |
| Rated current | 115A | 125A |
| Rated impulse voltage | 8KV | |
| Number of Positions | | |
| 02~08P | | |

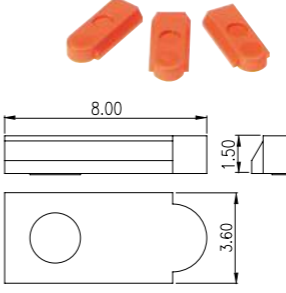



ECHK1



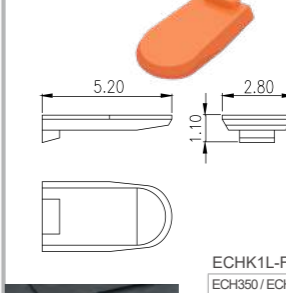
- ECHK1-For
- ECH350 / ECH381
- ECHP381
- ECHB350 / ECHB381
- ECH508
- EECH350 / EECH381
- 0221-25XX
- 0221-33XX
- 0221-39XX
- 0221-41XX
- 0221-51XX
- 0221-52XX

ECHK2



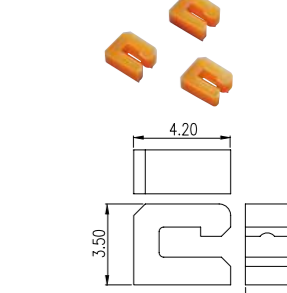
- ECHK2-For
- EC116
- EC762
- ECH116
- EC762

ECHK1L



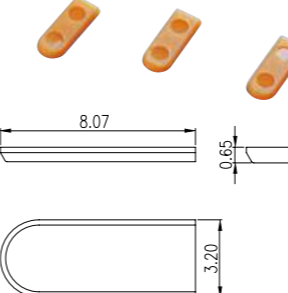
- ECHK1L-For
- ECH350 / ECH381
- 0221-25XX
- 0221-33XX
- 0221-39XX
- 0221-41XX
- 0221-51XX
- 0221-52XX

EHDK1



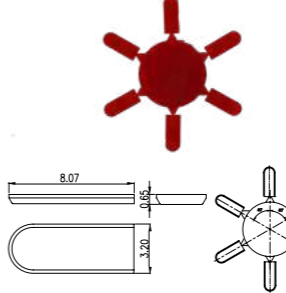
- EHDK1-For
- 2EHD
- 3EHD
- 5EHD
- 7EHD

ESDK1



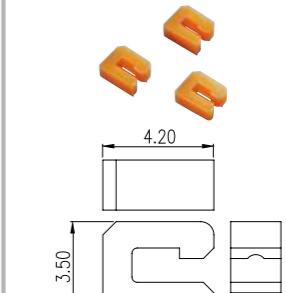
- ESDK1-For
- 2ESD
- 3ESD
- 5ESD
- 7ESD

ESDK2



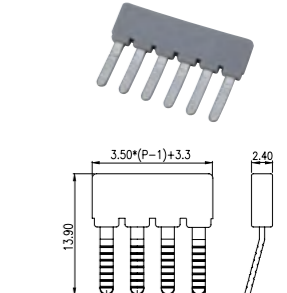
- ESDK2-For
- 2ESD
- 5ESD
- 7ESD

EHDK1L



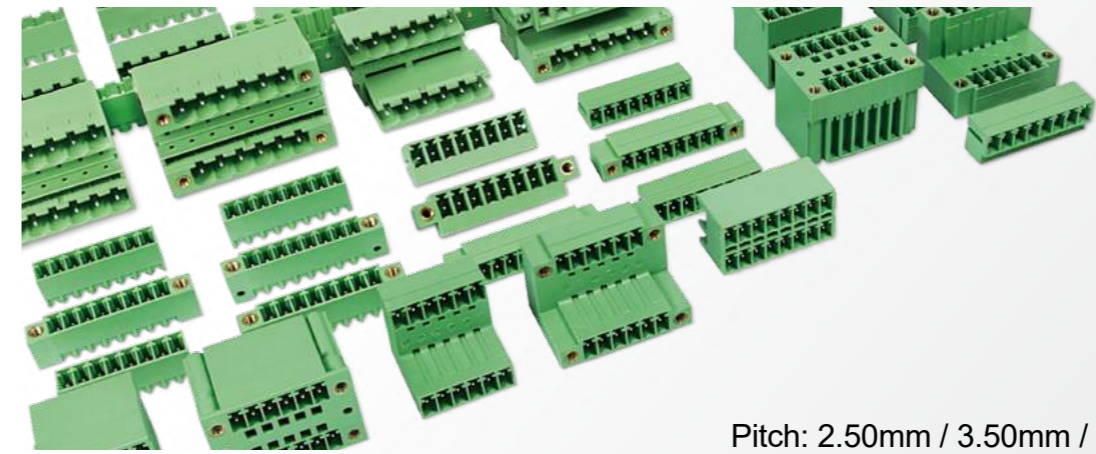
- EHDK1L-For
- 2EHD
- 5EHD

CSC-01XX



- CSC-01XX-For
- EC350

PCB Sockets



Materials: General engineering insulation for wave soldering process
temperature withstand insulation for reflow soldering process




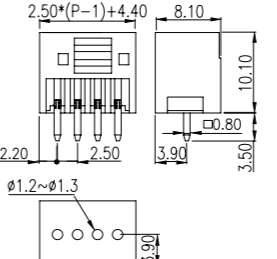
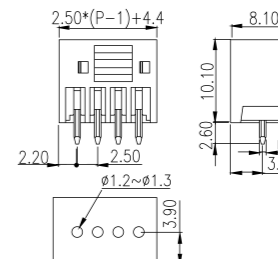
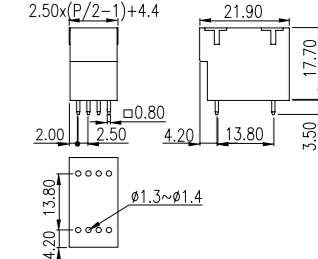



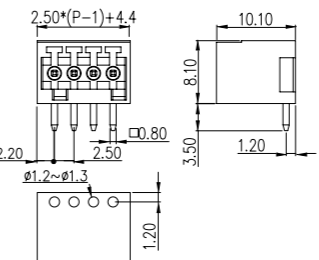
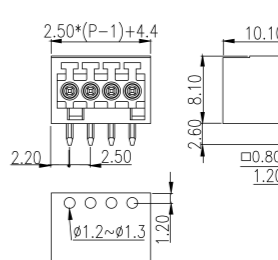
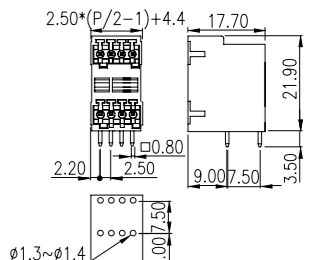
Pin lengths: Standard length 3.5mm for wave soldering process
Through-hole reflow (THR) version socket is available, standard pin length 2.6mm.
(The last suffix "L" represents THR version.)

Pitch: 2.50mm / 3.50mm / 3.81mm / 5.00mm / 5.08mm / 7.50mm / 7.62mm

UL Rated: 150V / 4A, 300V / 8A, 300V / 15A, 300V / 30A, 600V / 30A

IEC Rated: 320V / 4A ~ 1000V / 41A

- Single & double level and single & double row sockets for options
- Horizontal, vertical and 45 degrees plug-in direction
- with screw flange and lock flange versions.

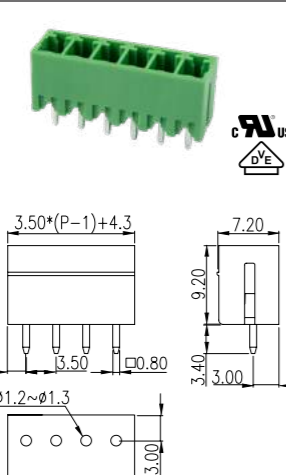
| 2.50mm | | | ECH250V-XXP | ECH250V-XXPL | ECHB250V-XXP |
|---|--------|-------|---|---|---|
| Technical Data | UL | IEC |  |  |  |
| Rated voltage | 150V | 320V |  |  |  |
| Rated current | 4A | 4A | | | |
| Rated impulse voltage | | 2.5KV | | | |
| Number of Positions | | | | | |
| ECH250V-XXP | 02~24P | | | | |
| ECH250R-XXP | 02~24P | | | | |
| ECH250V-XXPL | 04~48P | | | | |
| ECH250R-XXPL | 04~48P | | | | |
| ECHB250V-XXP | 04~48P | | | | |
| ECHB250R-XXP | 04~48P | | | | |
| * The last suffix "L" of part number represents THR version | | | | | |
| | | | ECH250R-XXP | ECH250R-XXPL | ECHB250R-XXP |
| | | |  |  |  |
| | | |  |  |  |

3.5mm

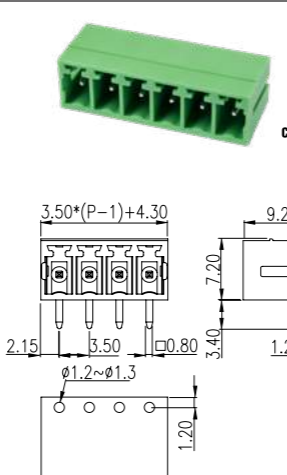
| Technical Data | UL | IEC |
|-----------------------|--------|-------|
| Rated voltage | 300V | 320V |
| Rated current | 8A | 14A |
| Rated impulse voltage | | 2.5kV |
| Number of Positions | | |
| ECH350RG-XXP | 02-10P | |
| ECHG1-XXP | | |
| ECH350H-XXP | 02-18P | |
| ECH350V-XXP | | |
| ECH350VD-XXP | | |
| ECH350R-XXP | | |
| ECH350RD-XXP | | |
| ECH350RR-XXP | | |
| ECH350VJ-XXPL | | |
| ECH350V-XXPL | | |
| ECH350R-XXPL | | |
| ECH350RR-XXPL | | |
| ECH350VJ-XXPL | 02-24P | |
| ECH350R-XXPL | | |
| ECH350V-XXPL | | |
| ECH350R-XXPL | | |
| ECH350RR-XXPL | | |
| ECH350V-XXPL | | |
| ECH350R-XXPL | | |
| ECH350RR-XXPL | | |
| ECH350V-XXPL | | |
| ECH350R-XXPL | | |
| ECH350RR-XXPL | | |
| ECH350V-XXPL | | |
| ECH350R-XXPL | | |
| ECH350RR-XXPL | | |
| ECH350V-XXPL | | |
| ECH350R-XXPL | | |
| ECH350RR-XXPL | | |
| ECH350V-XXPL | | |
| ECH350R-XXPL | | |
| ECH350RR-XXPL | | |
| ECH350V-XXPL | | |
| ECH350R-XXPL | | |
| ECH350RR-XXPL | | |
| ECH350V-XXPL | | |
| ECH350R-XXPL | | |
| ECH350RR-XXPL | | |
| Accessories | | |
| ECHK1 | P66 | |

* Applied with light pipe
 * The last suffix "L" of part number represents THR version and the accessories is EHDK1L (P66)

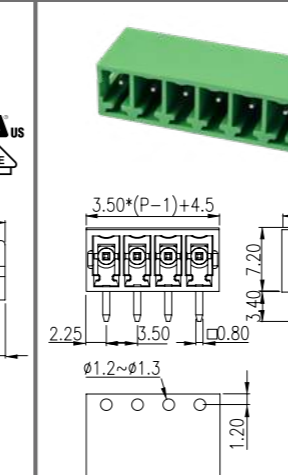
ECH350V-XXP



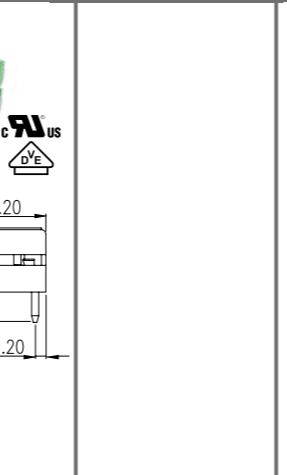
ECH350R-XXP



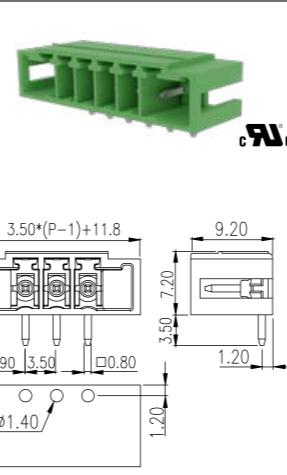
ECH350RR-XXP



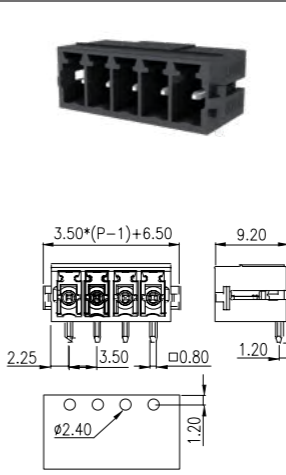
ECH350RJ-XXP



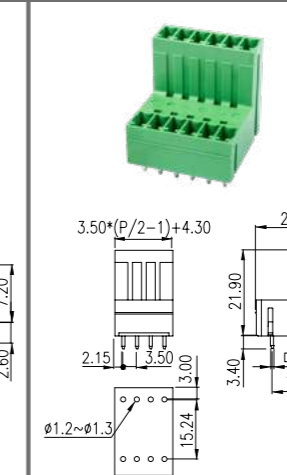
ECH350RT-XXPL



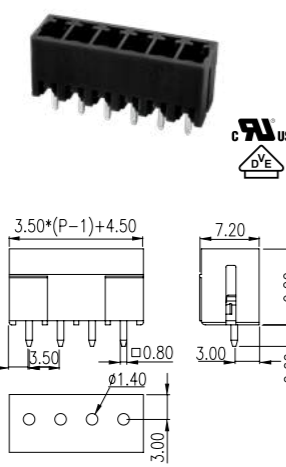
EECH350V-XXP



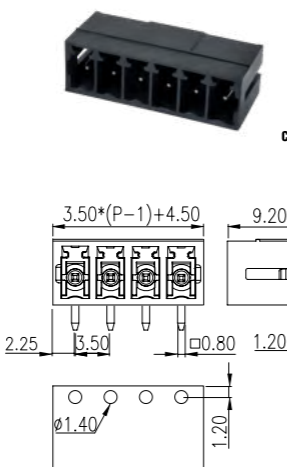
ECHB350V-XXP



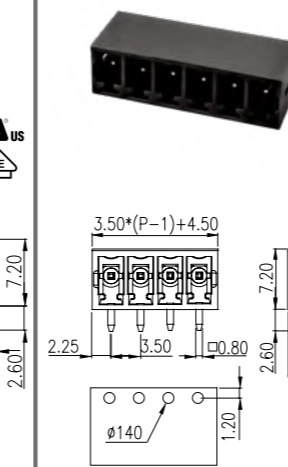
ECH350V-XXPL



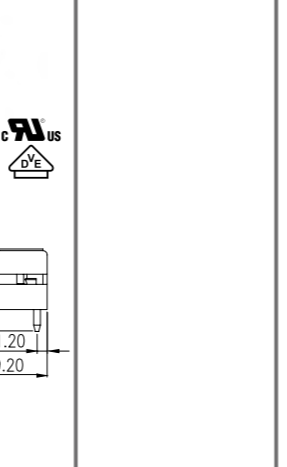
ECH350R-XXPL



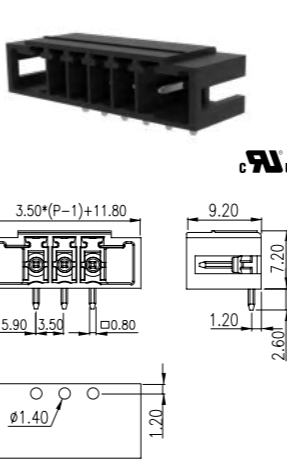
ECH350RR-XXPL



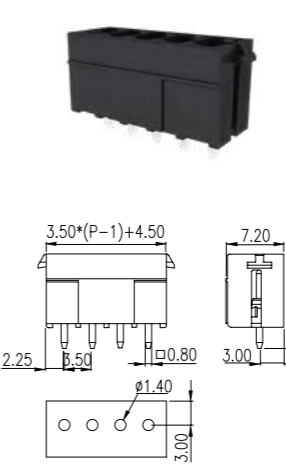
ECH350RJ-XXPL



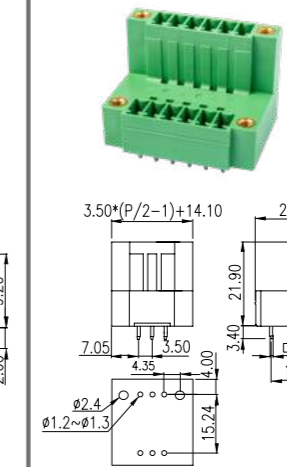
ECH350VT-XXPL



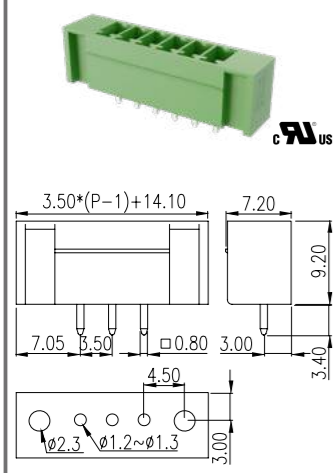
EECH350VM-XXP



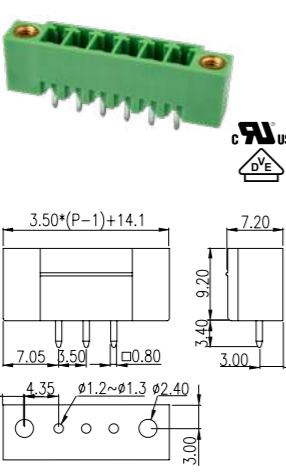
ECHB350VM-XXP



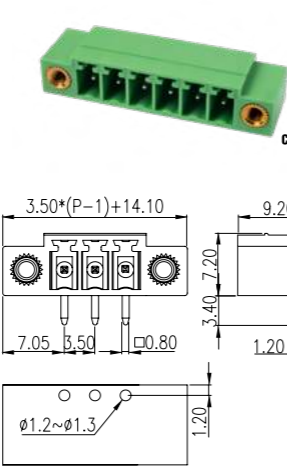
ECH350VD-XXP



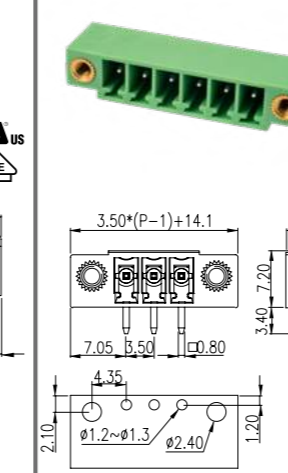
ECH350VM-XXP



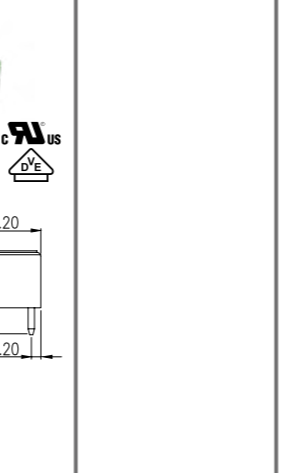
ECH350RM-XXP



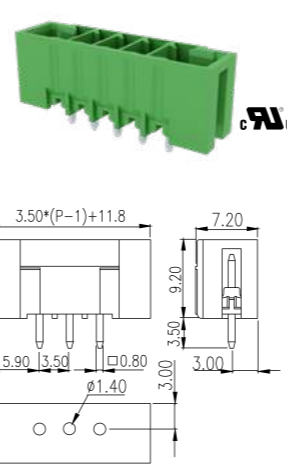
ECH350RRM-XXP



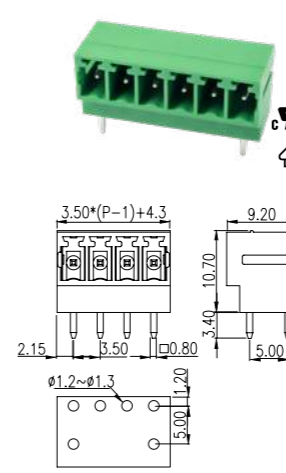
ECH350VJ-XXP



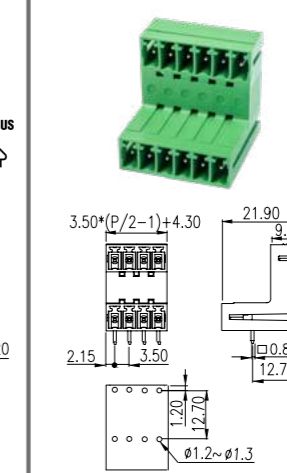
ECH350H-XXP



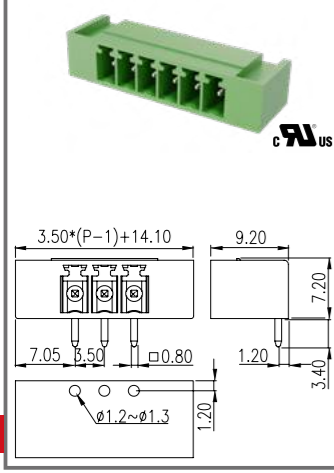
EECH350R-XXP



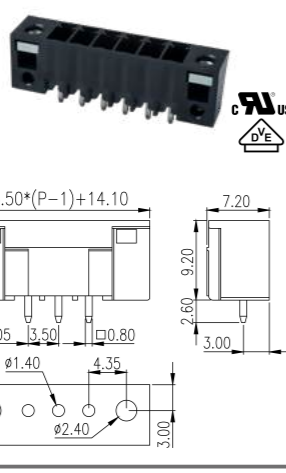
ECHB350R-XXP



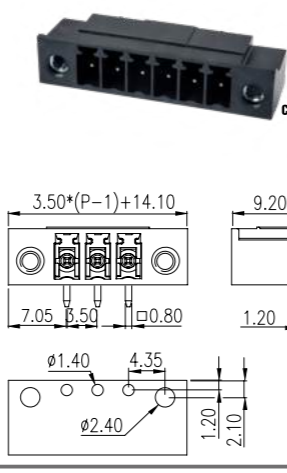
ECH350RD-XXP



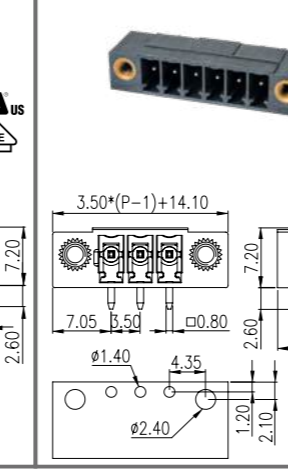
ECH350VM-XXPL



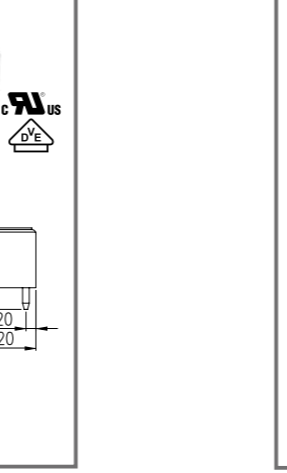
ECH350RM-XXPL



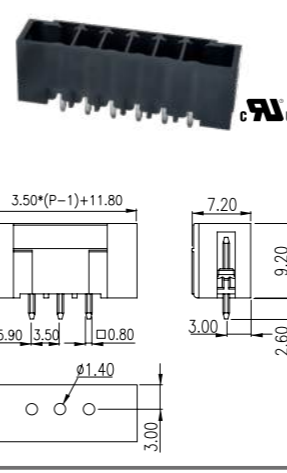
ECH350RRM-XXPL



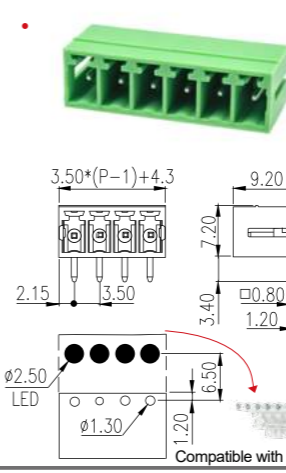
ECH350VJ-XXPL



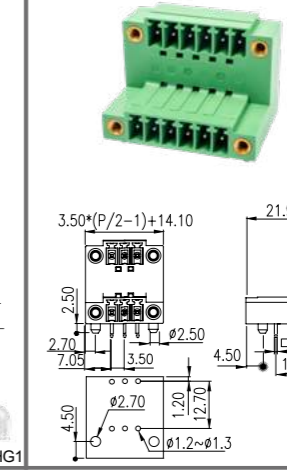
ECH350RG-XXP



EECH350RM-XXP



ECHB350RM-XXP



3.81mm

| | | |
|-----------------------|--------|-------|
| Technical Data | UL | IEC |
| Rated voltage | 300V | 320V |
| Rated current | 8A | 14A |
| Rated impulse voltage | | 2.5KV |
| Number of Positions | | |
| ECH381H-XXP | 02~18P | |
| ECH381V-XXP | | |
| ECH381VD-XXP | | |
| ECH381R-XXP | | |
| ECH381RD-XXP | | |
| ECH381RR-XXP | | |
| ECH381A-XXP | | |
| ECH381V-XXPL | | |
| ECH381R-XXPL | | |
| ECH381RR-XXPL | | |
| ECH381AM-XXP | | |
| ECH381VM-XXP | | |
| ECH381RM-XXP | | |
| ECH381RRM-XXP | | |
| ECH381VJ-XXP | | |
| ECH381VJ-XXPL | | |
| ECH381VM-XXPL | | |
| ECH381RM-XXPL | | |
| ECH381RRM-XXPL | | |
| ECH381RJ-XXP | | |
| ECH381RJ-XXPL | | |
| ECHB381VM-XXP | | |
| EECH381V-XXP | 04~32P | |
| ECHB381R-XXP | 04~36P | |
| EECH381R-XXP | 04~48P | |
| ECHB381RRD-XXP | | |
| Accessories | | |
| ECHK1 | P66 | |

* The last suffix "L" of part number represents THR version and the accessories is EHDK1L (P66)

| | | | | | | |
|---------------------------|---------------------------|----------------------------|---------------------------|----------------------------|----------------------------|----------------------------|
| <p>ECH381V-XXP</p> | <p>ECH381R-XXP</p> | <p>ECH381RR-XXP</p> | <p>ECH381A-XXP</p> | <p>EECH381V-XXP</p> | <p>ECHB381V-XXP</p> | <p>ECH381VJ-XXP</p> |
|---------------------------|---------------------------|----------------------------|---------------------------|----------------------------|----------------------------|----------------------------|

| | | | | | | |
|----------------------------|----------------------------|-----------------------------|----------------------------|-----------------------------|-----------------------------|-----------------------------|
| <p>ECH381V-XXPL</p> | <p>ECH381R-XXPL</p> | <p>ECH381RR-XXPL</p> | <p>ECH381AM-XXP</p> | <p>EECH381VM-XXP</p> | <p>ECHB381VM-XXP</p> | <p>ECH381VJ-XXPL</p> |
|----------------------------|----------------------------|-----------------------------|----------------------------|-----------------------------|-----------------------------|-----------------------------|

| | | | | | | | |
|----------------------------|----------------------------|----------------------------|-----------------------------|----------------------------|----------------------------|------------------------------|----------------------------|
| <p>ECH381VD-XXP</p> | <p>ECH381VM-XXP</p> | <p>ECH381RM-XXP</p> | <p>ECH381RRM-XXP</p> | <p>EECH381R-XXP</p> | <p>ECHB381R-XXP</p> | <p>ECHB381RRD-XXP</p> | <p>ECH381RJ-XXP</p> |
|----------------------------|----------------------------|----------------------------|-----------------------------|----------------------------|----------------------------|------------------------------|----------------------------|

| | | | | | | | |
|----------------------------|-----------------------------|-----------------------------|------------------------------|-----------------------------|-----------------------------|---------------------------|-----------------------------|
| <p>ECH381RD-XXP</p> | <p>ECH381VM-XXPL</p> | <p>ECH381RM-XXPL</p> | <p>ECH381RRM-XXPL</p> | <p>EECH381RM-XXP</p> | <p>ECHB381RM-XXP</p> | <p>ECH381H-XXP</p> | <p>ECH381RJ-XXPL</p> |
|----------------------------|-----------------------------|-----------------------------|------------------------------|-----------------------------|-----------------------------|---------------------------|-----------------------------|

5.00mm

| | | |
|-----------------------|--------|------|
| Technical Data | UL | IEC |
| Rated voltage | 300V | 600V |
| Rated current | 15A | 18A |
| Rated impulse voltage | | 4kV |
| Number of Positions | | |
| 5EHDRR-XXP | 02~13P | |
| 5EHDRRC-XXP | | |
| 5EHDV-XXP | | |
| 5EHDV-XXPL | | |
| 5EHDVC-XXP | | |
| 5EHDVC-XXPL | | |
| 5EHDVG-XXP | | |
| 5EHDVG-XXPL | | |
| 5EHDR-XXP | | |
| 5EHDR-XXPL | | |
| 5EHDRC-XXP | 02~24P | |
| 5EHDRC-XXPL | | |
| 5EHDRG-XXP | | |
| 5EHDRG-XXPL | | |
| 5EHDV-XXP | | |
| 5EHDV-XXPL | | |
| 5EHDVM-XXP | | |
| 5EHDVM-XXPL | | |
| 5EHDV-XXP | | |
| 5EHDV-XXPL | | |
| 5EHDV-XXP | 04~24P | |
| 5EHDV-XXPL | | |
| 5EHDV-XXP | | |
| 5EHDV-XXPL | | |
| 5EHDV-XXP | | |
| 5EHDV-XXPL | | |
| 5EHDV-XXP | | |
| 5EHDV-XXPL | | |
| 5EHDV-XXP | | |
| 5EHDV-XXPL | | |
| 5EHDV-XXP | 04~36P | |
| 5EHDV-XXPL | | |
| 5EHDV-XXP | | |
| 5EHDV-XXPL | | |
| 5EHDV-XXP | | |
| 5EHDV-XXPL | | |
| 5EHDV-XXP | | |
| 5EHDV-XXPL | | |
| 5EHDV-XXP | | |
| 5EHDV-XXPL | | |
| 5EHDV-XXP | 04~40P | |
| 5EHDV-XXPL | | |
| 5EHDV-XXP | | |
| 5EHDV-XXPL | | |
| 5EHDV-XXP | | |
| 5EHDV-XXPL | | |
| 5EHDV-XXP | | |
| 5EHDV-XXPL | | |
| 5EHDV-XXP | | |
| 5EHDV-XXPL | | |
| 5EHDV-XXP | 04~48P | |
| 5EHDV-XXPL | | |
| 5EHDV-XXP | | |
| 5EHDV-XXPL | | |
| 5EHDV-XXP | | |
| 5EHDV-XXPL | | |
| 5EHDV-XXP | | |
| 5EHDV-XXPL | | |
| 5EHDV-XXP | | |
| 5EHDV-XXPL | | |
| 5EHDV-XXP | 04~56P | |
| 5EHDV-XXPL | | |
| 5EHDV-XXP | | |
| 5EHDV-XXPL | | |
| 5EHDV-XXP | | |
| 5EHDV-XXPL | | |
| 5EHDV-XXP | | |
| 5EHDV-XXPL | | |
| 5EHDV-XXP | | |
| 5EHDV-XXPL | | |

Accessories
EHDK1 P66
* The last suffix "L" of part number represents THR version and the accessories is EHDK1L (P66)

| | | | | | | |
|----------|----------|----------|----------|----------|----------|----------|
| | | | | | | |
| | | | | | | |
| | | | | | | |
| | | | | | | |

5.08mm

ECH508V-XXP

5.08mm

2EHDV-XXP

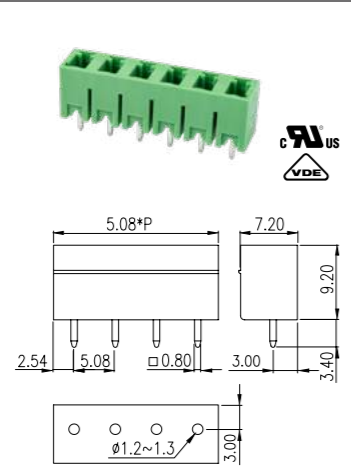
2EHDV-XXP

2EHDR-XXP

2EHDV-XXP

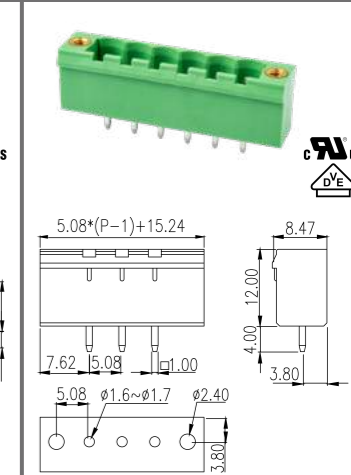
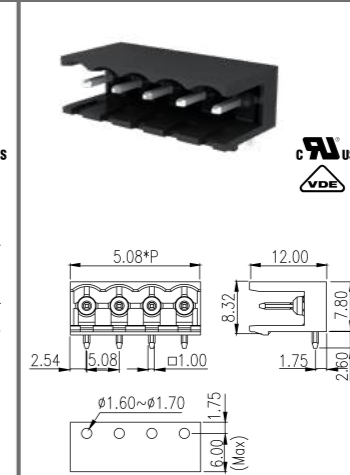
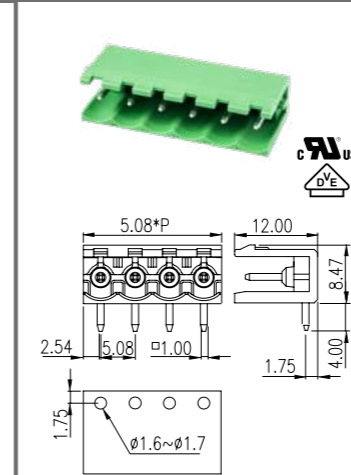
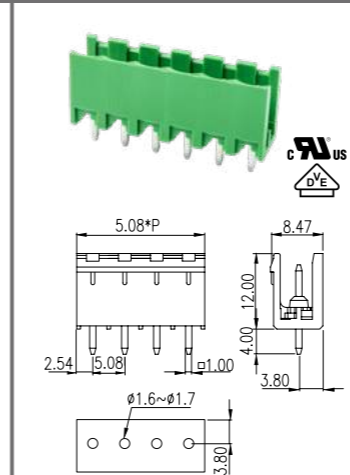
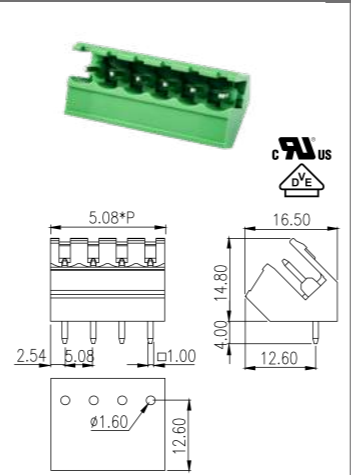
2EHDV-XXP

| | | |
|-----------------------|------|------|
| Technical Data | UL | IEC |
| Rated voltage | 300V | 600V |
| Rated current | 12A | 14A |
| Rated impulse voltage | | 4KV |
| Number of Positions | | |
| 02-24P | | |
| Accessories | | |
| EHDK1 | | P66 |

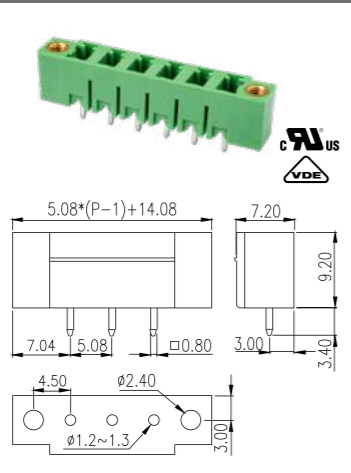


| | | |
|-----------------------|------|------|
| Technical Data | UL | IEC |
| Rated voltage | 300V | 630V |
| Rated current | 20A | 18A |
| Rated impulse voltage | | 4KV |
| Number of Positions | | |
| 02-24P | | |
| Accessories | | |
| EHDK1 | | P66 |

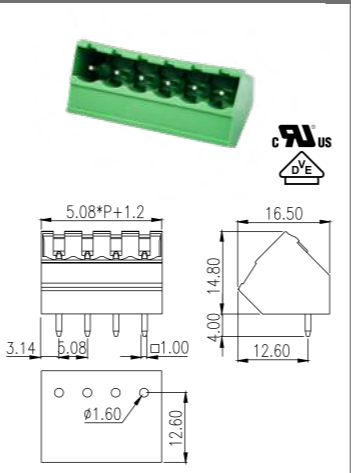
* The last suffix "L" of part number represents THR version and the accessories is EHDK1L (P66)



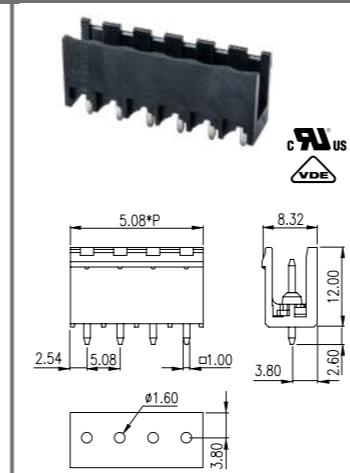
ECH508VM-XXP



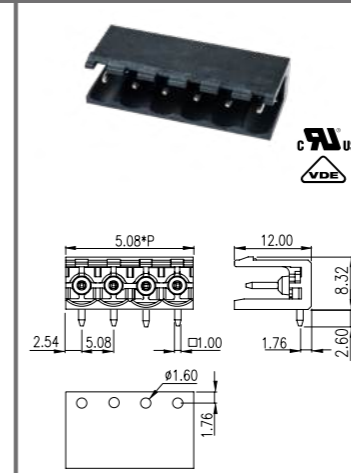
2EHDAC-XXP



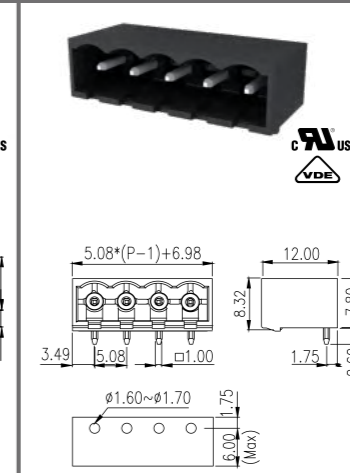
2EHDV-XXPL



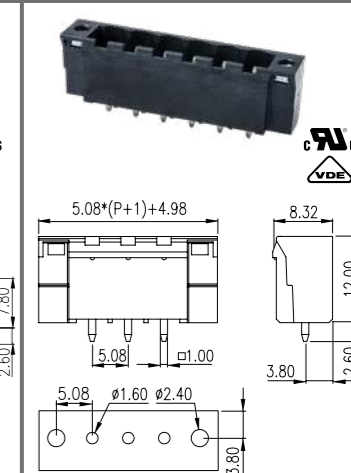
2EHDR-XXPL



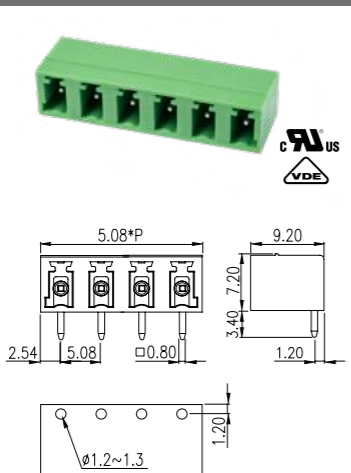
2EHDRC-XXPL



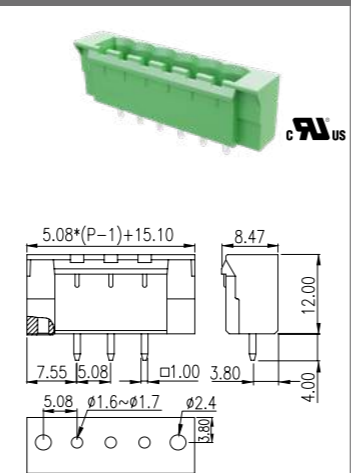
2EHDV-XXPL



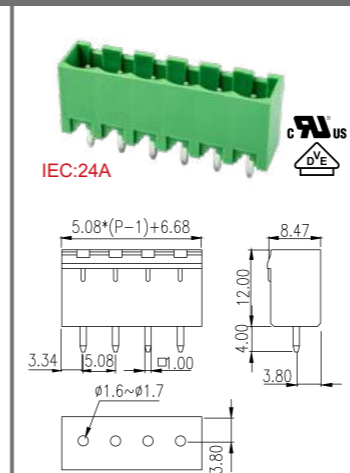
ECH508R-XXP



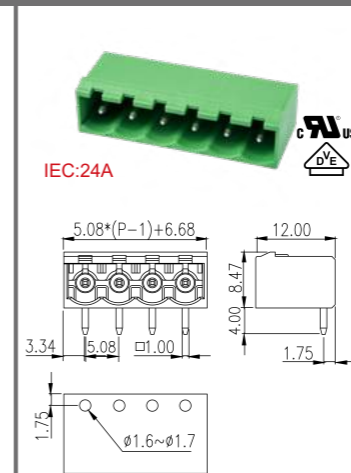
2EHDVG-XXP



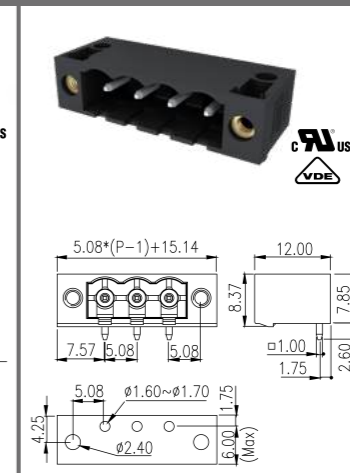
2EHDVC-XXP



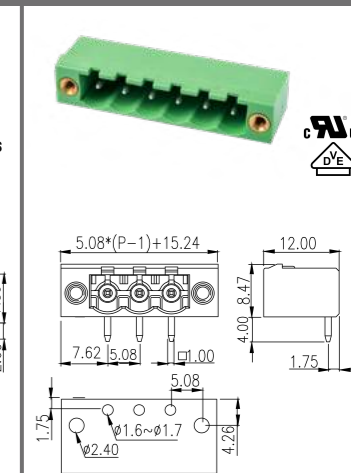
2EHDRC-XXP



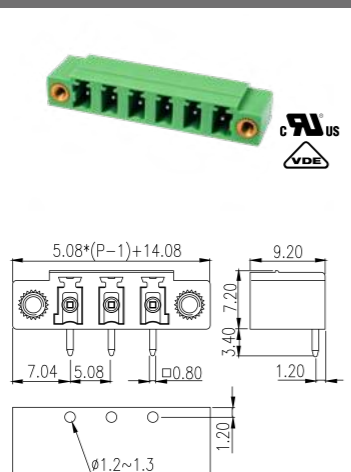
2EHDV-XXPL



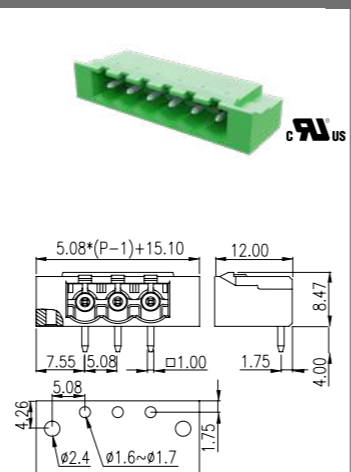
2EHDV-XXPL



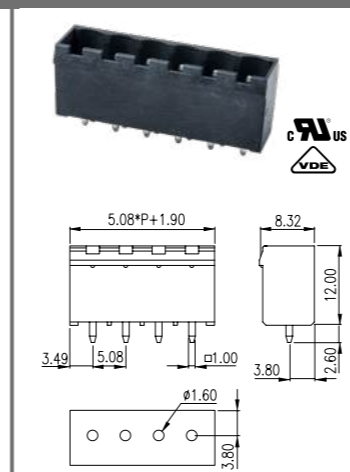
ECH508RM-XXP



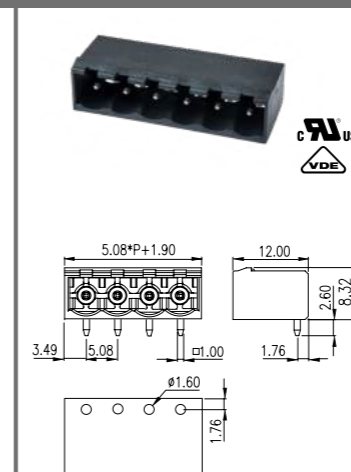
2EHDRG-XXP



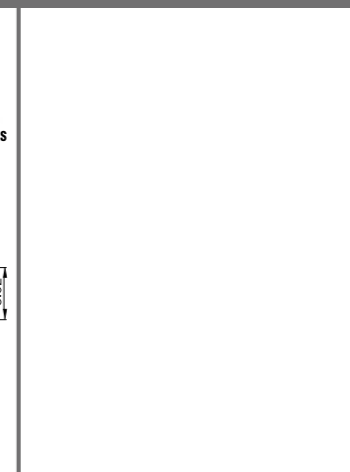
2EHDV-XXPL



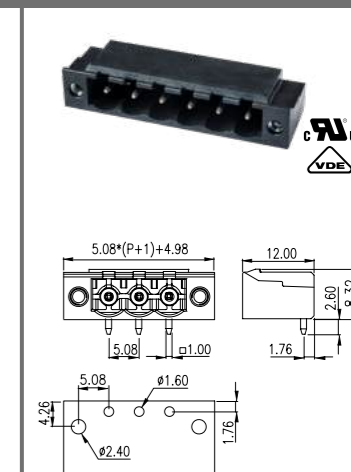
2EHDRC-XXPL



2EHDV-XXPL



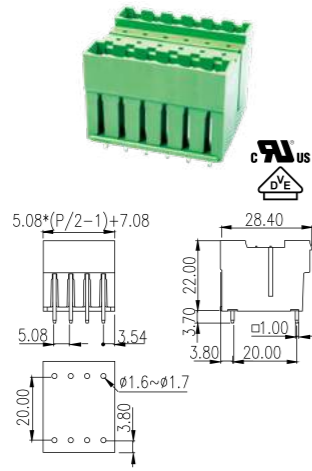
2EHDV-XXPL



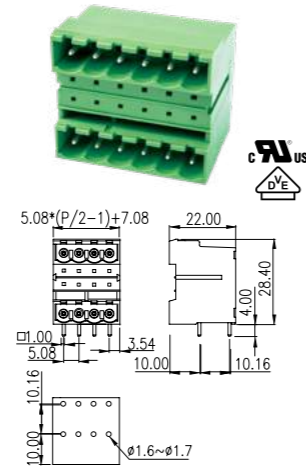
5.08mm

| Technical Data | UL | IEC |
|-----------------------|--------|------|
| Rated voltage | 300V | 630V |
| Rated current | 15A | 18A |
| Rated impulse voltage | | 4KV |
| Number of Positions | | |
| 2EHDBVM-XXP | 04~44P | |
| 2EHDBR-XXP | | |
| 2EHDV-XXP | 04~48P | |
| 2EHDVM-XXP | | |
| 2EHDR-XXP | | |
| 2EHDRM-XXP | | |
| Accessories | | |
| EHDK1 | P65 | |

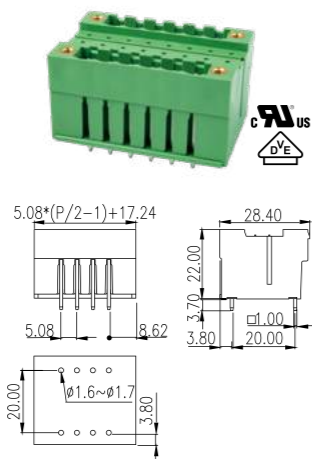
2EHDBV-XXP



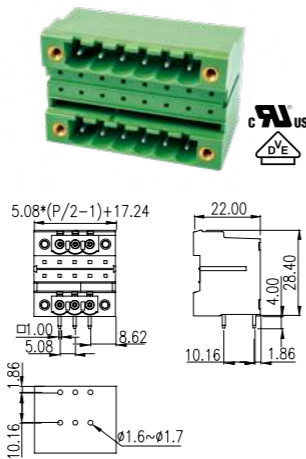
2EHDBR-XXP



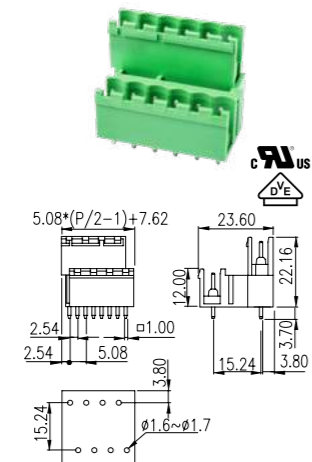
2EHDVM-XXP



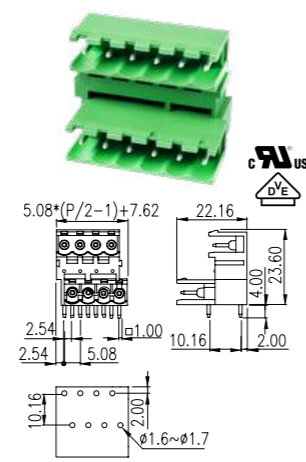
2EHDBRM-XXP



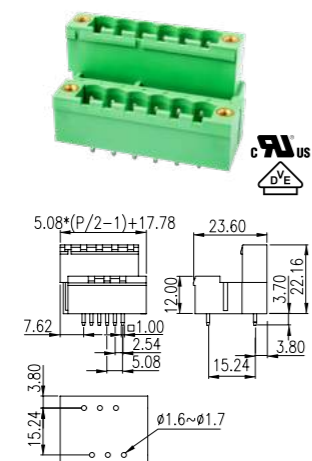
2EHDV-XXP



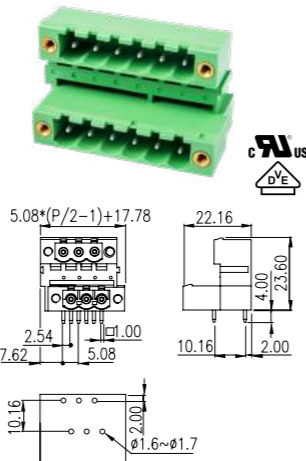
2EHDR-XXP



2EHDVM-XXP



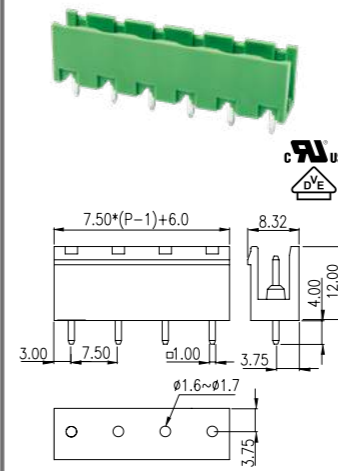
2EHDRM-XXP



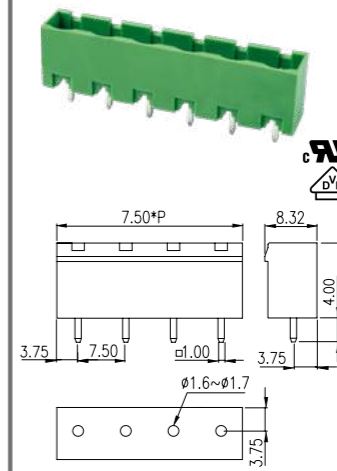
7.50mm

| Technical Data | UL | IEC |
|-----------------------|--------|------|
| Rated voltage | 300V | 800V |
| Rated current | 15A | 18A |
| Rated impulse voltage | | 6KV |
| Number of Positions | | |
| | 02~12P | |
| Accessories | | |
| EHDK1 | P65 | |

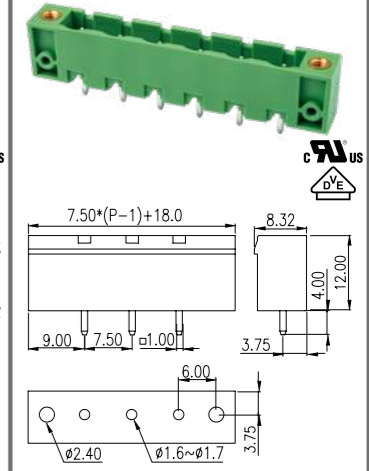
7EHDV-XXP



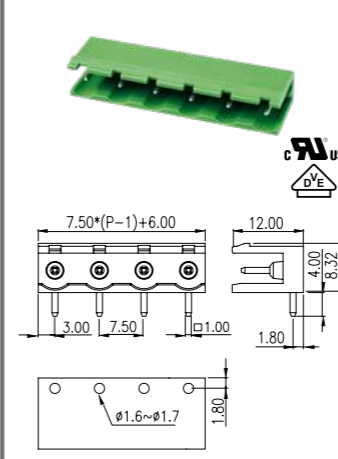
7EHDVC-XXP



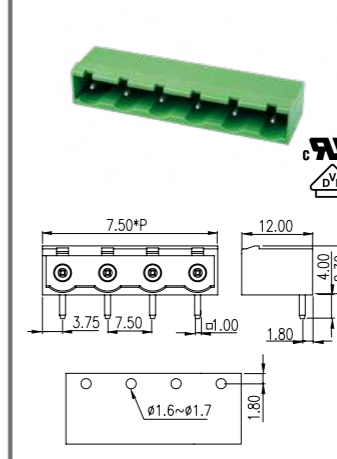
7EHDVM-XXP



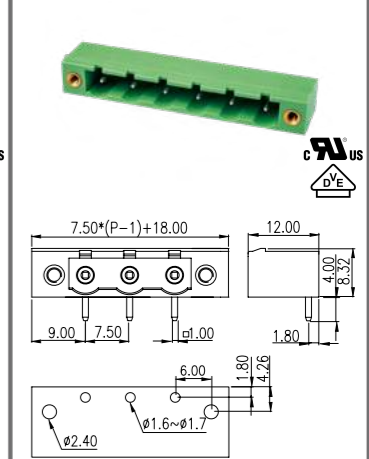
7EHDR-XXP



7EHDRC-XXP



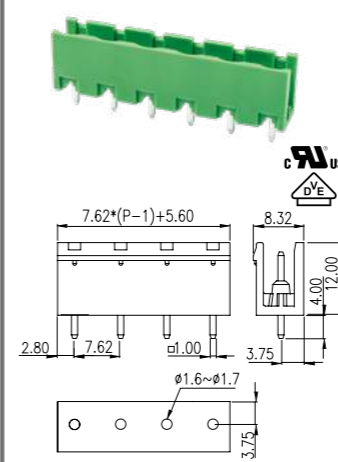
7EHDRM-XXP



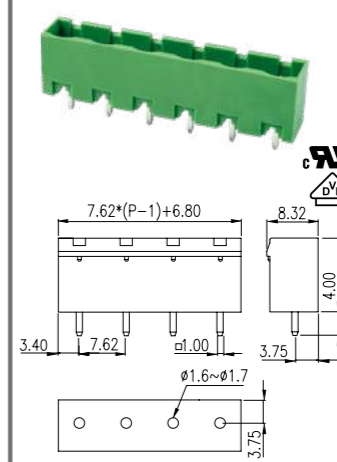
7.62mm

| Technical Data | UL | IEC |
|-----------------------|--------|------|
| Rated voltage | 300V | 800V |
| Rated current | 25A | 18A |
| Rated impulse voltage | | 6KV |
| Number of Positions | | |
| | 02~14P | |
| Accessories | | |
| EHDK1 | P65 | |

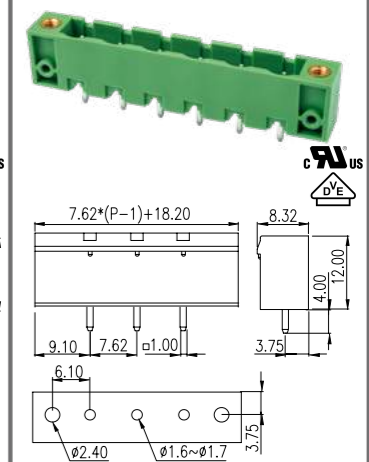
3EHDV-XXP



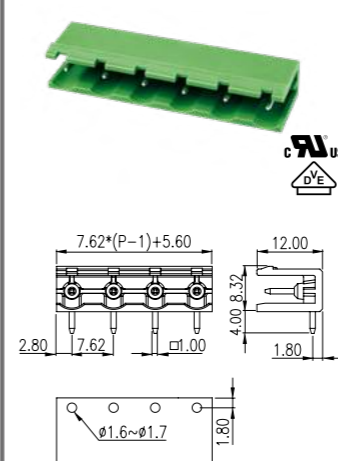
3EHDVC-XXP



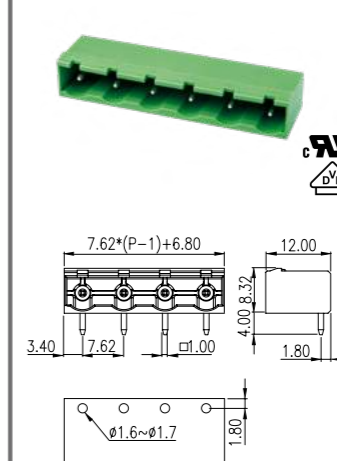
3EHDVM-XXP



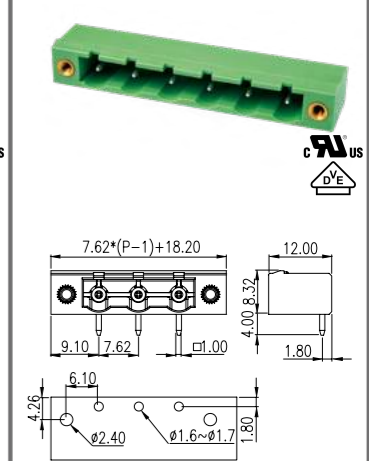
3EHDR-XXP



3EHDRC-XXP


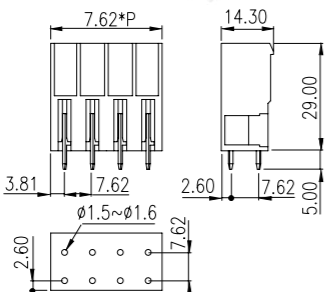


3EHDRM-XXP


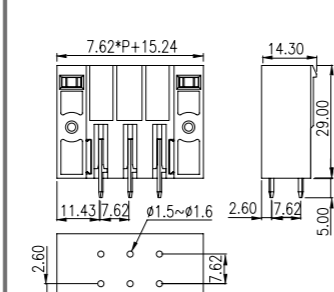


| 7.62mm | | |
|-----------------------|------|-------|
| Technical Data | UL | IEC |
| Rated voltage | 300V | 1000V |
| Rated current | 30A | 41A |
| Rated impulse voltage | | 8KV |
| Number of Positions | | |
| 02~12P | | |
| Accessories | | |
| ECHK2 | P66 | |


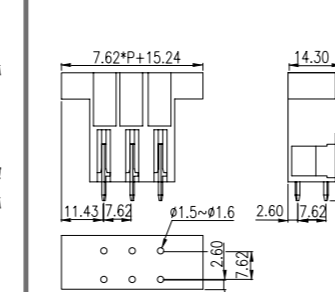
ECH762V-XXP


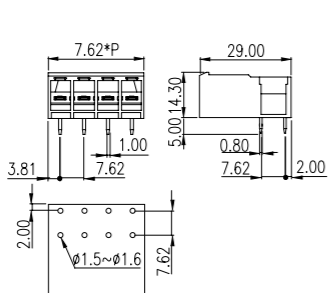
ECH762VM-XXP


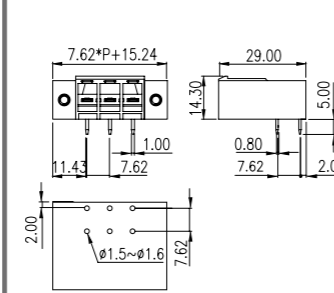
ECH762VTM-XXP


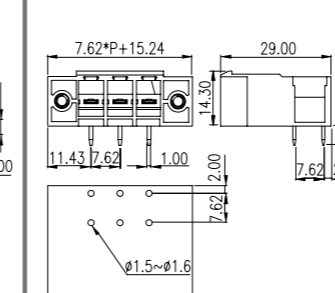
ECH762R-XXP

ECH762RM-XXP


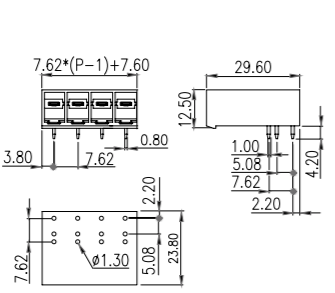



ECH762RTM-XXP


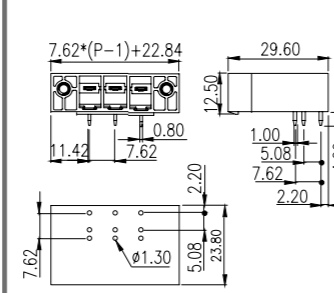



| 7.62mm | | |
|-----------------------|------|-------|
| Technical Data | UL | IEC |
| Rated voltage | 300V | 1000V |
| Rated current | 41A | 41A |
| Rated impulse voltage | | 6KV |
| Number of Positions | | |
| 02~12P | | |
| Accessories | | |
| ECHK2 | P66 | |

ECH762RR-XXP


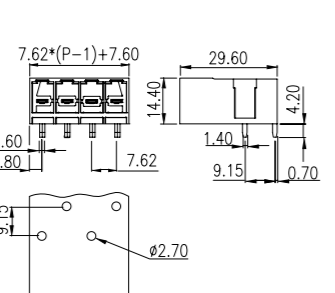



ECH762RRM-XXP


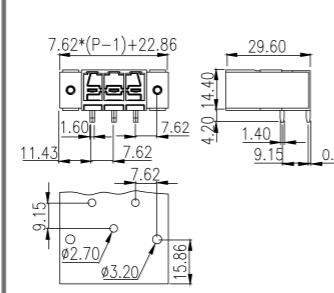



| 7.62mm | | |
|-----------------------|------|-------|
| Technical Data | UL | IEC |
| Rated voltage | 600V | 1000V |
| Rated current | 41A | 41A |
| Rated impulse voltage | | 8KV |
| Number of Positions | | |
| 02~12P | | |
| Accessories | | |
| ECHK2 | P66 | |


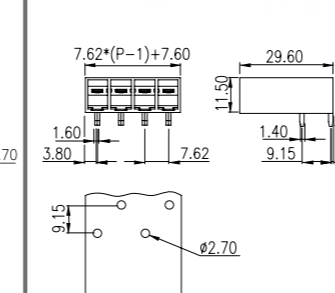
ECH762HR-XXP

ECH762HRM-XXP


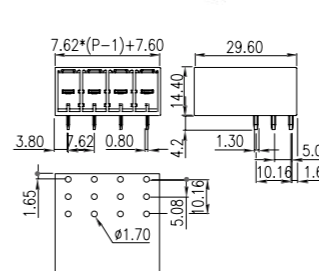



ECH762HRR-XXP


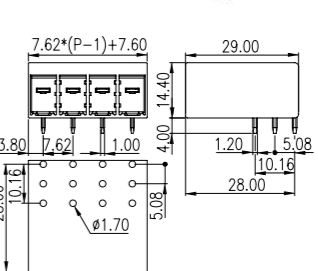




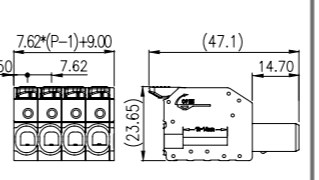
| 7.62mm | | |
|-----------------------|------|-------|
| Technical Data | UL | IEC |
| Rated voltage | 300V | 1000V |
| Rated current | 35A | 41A |
| Rated impulse voltage | | 8KV |
| Number of Positions | | |
| 02~12P | | |
| Accessories | | |
| ECHK2 | P66 | |


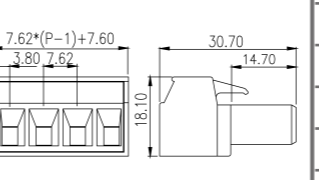
ECH762RE-XXP


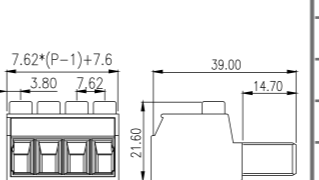



ECH762RRE-XXP

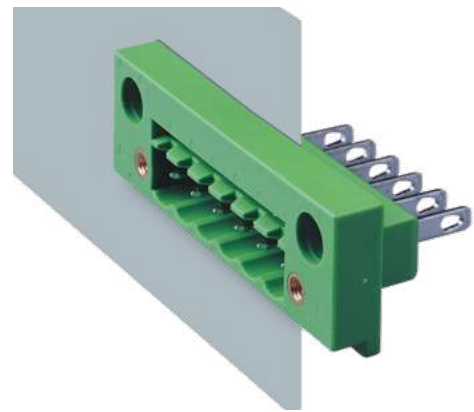



| 0258-61XX | Socket | Rated Current |
|--|----------------------|---------------|
|   | ECH762RE-XXP | 35A |
| | ECH762RRE-XXP | 35A |

| EC762V-XXP | Socket | Rated Current |
|---|----------------------|---------------|
|   | ECH762V-XXP | 30A |
| | ECH762VM-XXP | |
| | ECH762VTM-XXP | |
| | ECH762R-XXP | |
| | ECH762RM-XXP | |
| | ECH762RTM-XXP | |
| | ECH762RR-XXP | |
| | ECH762RRM-XXP | |
| | ECH762HR-XXP | |
| ECH762HRM-XXP | | |
| ECH762HRR-XXP | | |

| EC762H-XXP | Socket | Rated Current |
|---|----------------------|---------------|
|   | ECH762V-XXP | 30A |
| | ECH762VM-XXP | |
| | ECH762VTM-XXP | |
| | ECH762R-XXP | |
| | ECH762RM-XXP | |
| | ECH762RTM-XXP | |
| | ECH762RR-XXP | 41A |
| | ECH762RRM-XXP | |
| | ECH762HRR-XXP | |

Feed-Through Headers

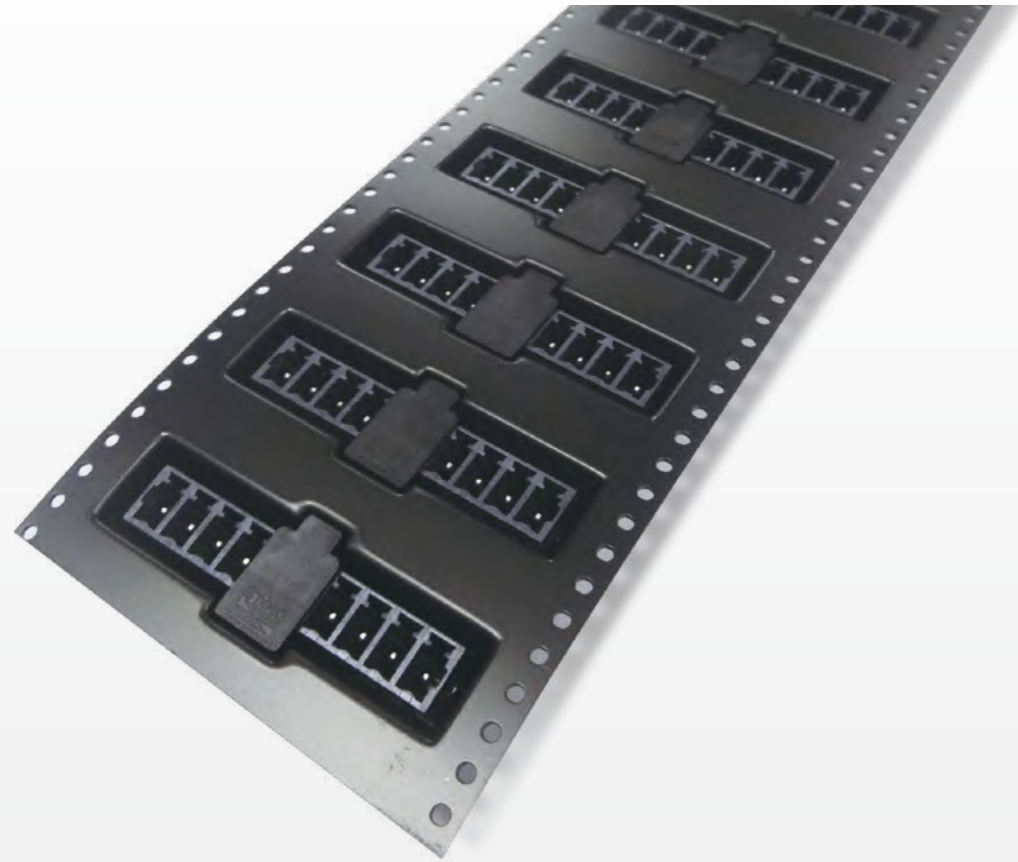


Feed-through headers create a pluggable connection with devices/equipment on its housing/cabinet. The pin design can be a permanent solution or a temporary solution, which brings extremely flexibility in your application, you can choose PID connection plug or screw connection plug to mate with your demand.

- Pin design can be soldered with wire as a permanent solution, for temporary use it can slip the wire on the pin to solve your connection demand
- The feed-through headers are universal for plugs in push-in connection or screw connection
- Cable connections inside the device allow flexible positioning of the panel feedthroughs

| 3.81mm | | | 5.00mm | | | | | 5.08mm | | | | | | | | | | | | | | | | | | | | | | | | | | | | | | | | | | | | | | | | | | | | | | | | | | | | | | | | | | | | | | | | | | | | | | | | | | | | | | | |
|---|----------------|-------|--------|---------------|------|------|---------------|--------|--|-----------------------|--|-------|---------------------|---------------|--|--------|--|--|-------------|----------------|--|-------|--|-----|--|--|--|--------|--|--------------|--|--|--|--|--|---|--|-----------|---------------|--|--|--|--|--|----------------|--|--|--|---------------|--|--|--|--------|--|----------------|--|--|--|--|--|--|--|------------|--------------|--|--|--|--|--|--|--------|--|--|--|--|--|--|--|--|--|--|--------------|--|--|--|--|--|
| <table border="1"> <tr><th>Technical Data</th><th>UL</th><th>IEC</th></tr> <tr><td>Rated voltage</td><td>300V</td><td>320V</td></tr> <tr><td>Rated current</td><td>8A</td><td>14A</td></tr> <tr><td>Rated impulse voltage</td><td></td><td>2.5KV</td></tr> <tr><td colspan="3">Number of Positions</td></tr> <tr><td colspan="3">02~24P</td></tr> <tr><td colspan="3">Accessories</td></tr> <tr><td>ECHK1</td><td></td><td>P66</td></tr> </table> | Technical Data | UL | IEC | Rated voltage | 300V | 320V | Rated current | 8A | 14A | Rated impulse voltage | | 2.5KV | Number of Positions | | | 02~24P | | | Accessories | | | ECHK1 | | P66 | <table border="1"> <tr><th colspan="2">ECHP381V-XXP</th></tr> <tr><td colspan="2"></td></tr> <tr><td colspan="2"></td></tr> </table> | | | | | ECHP381V-XXP | | | | | | <table border="1"> <tr><th colspan="2">2EHDP-XXP</th></tr> <tr><td colspan="2"></td></tr> <tr><td colspan="2"></td></tr> </table> | | 2EHDP-XXP | | | | | | <table border="1"> <tr><th colspan="2">5EHDK-XXP/1.0</th></tr> <tr><td colspan="2"></td></tr> <tr><td colspan="2"></td></tr> <tr><th colspan="2">5EHDKM-XXP/1.0</th></tr> <tr><td colspan="2"></td></tr> <tr><td colspan="2"></td></tr> </table> | | | | | 5EHDK-XXP/1.0 | | | | | | 5EHDKM-XXP/1.0 | | | | | | <table border="1"> <tr><th colspan="2">2EHDPN-XXP</th></tr> <tr><td colspan="2"></td></tr> <tr><td colspan="2"></td></tr> </table> | | 2EHDPN-XXP | | | | | | <table border="1"> <tr><th colspan="2">7.62mm</th></tr> <tr><td colspan="2"></td></tr> <tr><td colspan="2"></td></tr> </table> | | 7.62mm | | | | | | <table border="1"> <tr><th colspan="2">ECHP762V-XXP</th></tr> <tr><td colspan="2"></td></tr> <tr><td colspan="2"></td></tr> </table> | | | | | ECHP762V-XXP | | | | | |
| Technical Data | UL | IEC | | | | | | | | | | | | | | | | | | | | | | | | | | | | | | | | | | | | | | | | | | | | | | | | | | | | | | | | | | | | | | | | | | | | | | | | | | | | | | | | | | | | | |
| Rated voltage | 300V | 320V | | | | | | | | | | | | | | | | | | | | | | | | | | | | | | | | | | | | | | | | | | | | | | | | | | | | | | | | | | | | | | | | | | | | | | | | | | | | | | | | | | | | | |
| Rated current | 8A | 14A | | | | | | | | | | | | | | | | | | | | | | | | | | | | | | | | | | | | | | | | | | | | | | | | | | | | | | | | | | | | | | | | | | | | | | | | | | | | | | | | | | | | | |
| Rated impulse voltage | | 2.5KV | | | | | | | | | | | | | | | | | | | | | | | | | | | | | | | | | | | | | | | | | | | | | | | | | | | | | | | | | | | | | | | | | | | | | | | | | | | | | | | | | | | | | |
| Number of Positions | | | | | | | | | | | | | | | | | | | | | | | | | | | | | | | | | | | | | | | | | | | | | | | | | | | | | | | | | | | | | | | | | | | | | | | | | | | | | | | | | | | | | | | |
| 02~24P | | | | | | | | | | | | | | | | | | | | | | | | | | | | | | | | | | | | | | | | | | | | | | | | | | | | | | | | | | | | | | | | | | | | | | | | | | | | | | | | | | | | | | | |
| Accessories | | | | | | | | | | | | | | | | | | | | | | | | | | | | | | | | | | | | | | | | | | | | | | | | | | | | | | | | | | | | | | | | | | | | | | | | | | | | | | | | | | | | | | | |
| ECHK1 | | P66 | | | | | | | | | | | | | | | | | | | | | | | | | | | | | | | | | | | | | | | | | | | | | | | | | | | | | | | | | | | | | | | | | | | | | | | | | | | | | | | | | | | | | |
| ECHP381V-XXP | | | | | | | | | | | | | | | | | | | | | | | | | | | | | | | | | | | | | | | | | | | | | | | | | | | | | | | | | | | | | | | | | | | | | | | | | | | | | | | | | | | | | | | |
| | | | | | | | | | | | | | | | | | | | | | | | | | | | | | | | | | | | | | | | | | | | | | | | | | | | | | | | | | | | | | | | | | | | | | | | | | | | | | | | | | | | | | | | |
| | | | | | | | | | | | | | | | | | | | | | | | | | | | | | | | | | | | | | | | | | | | | | | | | | | | | | | | | | | | | | | | | | | | | | | | | | | | | | | | | | | | | | | | |
| 2EHDP-XXP | | | | | | | | | | | | | | | | | | | | | | | | | | | | | | | | | | | | | | | | | | | | | | | | | | | | | | | | | | | | | | | | | | | | | | | | | | | | | | | | | | | | | | | |
| | | | | | | | | | | | | | | | | | | | | | | | | | | | | | | | | | | | | | | | | | | | | | | | | | | | | | | | | | | | | | | | | | | | | | | | | | | | | | | | | | | | | | | | |
| | | | | | | | | | | | | | | | | | | | | | | | | | | | | | | | | | | | | | | | | | | | | | | | | | | | | | | | | | | | | | | | | | | | | | | | | | | | | | | | | | | | | | | | |
| 5EHDK-XXP/1.0 | | | | | | | | | | | | | | | | | | | | | | | | | | | | | | | | | | | | | | | | | | | | | | | | | | | | | | | | | | | | | | | | | | | | | | | | | | | | | | | | | | | | | | | |
| | | | | | | | | | | | | | | | | | | | | | | | | | | | | | | | | | | | | | | | | | | | | | | | | | | | | | | | | | | | | | | | | | | | | | | | | | | | | | | | | | | | | | | | |
| | | | | | | | | | | | | | | | | | | | | | | | | | | | | | | | | | | | | | | | | | | | | | | | | | | | | | | | | | | | | | | | | | | | | | | | | | | | | | | | | | | | | | | | |
| 5EHDKM-XXP/1.0 | | | | | | | | | | | | | | | | | | | | | | | | | | | | | | | | | | | | | | | | | | | | | | | | | | | | | | | | | | | | | | | | | | | | | | | | | | | | | | | | | | | | | | | |
| | | | | | | | | | | | | | | | | | | | | | | | | | | | | | | | | | | | | | | | | | | | | | | | | | | | | | | | | | | | | | | | | | | | | | | | | | | | | | | | | | | | | | | | |
| | | | | | | | | | | | | | | | | | | | | | | | | | | | | | | | | | | | | | | | | | | | | | | | | | | | | | | | | | | | | | | | | | | | | | | | | | | | | | | | | | | | | | | | |
| 2EHDPN-XXP | | | | | | | | | | | | | | | | | | | | | | | | | | | | | | | | | | | | | | | | | | | | | | | | | | | | | | | | | | | | | | | | | | | | | | | | | | | | | | | | | | | | | | | |
| | | | | | | | | | | | | | | | | | | | | | | | | | | | | | | | | | | | | | | | | | | | | | | | | | | | | | | | | | | | | | | | | | | | | | | | | | | | | | | | | | | | | | | | |
| | | | | | | | | | | | | | | | | | | | | | | | | | | | | | | | | | | | | | | | | | | | | | | | | | | | | | | | | | | | | | | | | | | | | | | | | | | | | | | | | | | | | | | | |
| 7.62mm | | | | | | | | | | | | | | | | | | | | | | | | | | | | | | | | | | | | | | | | | | | | | | | | | | | | | | | | | | | | | | | | | | | | | | | | | | | | | | | | | | | | | | | |
| | | | | | | | | | | | | | | | | | | | | | | | | | | | | | | | | | | | | | | | | | | | | | | | | | | | | | | | | | | | | | | | | | | | | | | | | | | | | | | | | | | | | | | | |
| | | | | | | | | | | | | | | | | | | | | | | | | | | | | | | | | | | | | | | | | | | | | | | | | | | | | | | | | | | | | | | | | | | | | | | | | | | | | | | | | | | | | | | | |
| ECHP762V-XXP | | | | | | | | | | | | | | | | | | | | | | | | | | | | | | | | | | | | | | | | | | | | | | | | | | | | | | | | | | | | | | | | | | | | | | | | | | | | | | | | | | | | | | | |
| | | | | | | | | | | | | | | | | | | | | | | | | | | | | | | | | | | | | | | | | | | | | | | | | | | | | | | | | | | | | | | | | | | | | | | | | | | | | | | | | | | | | | | | |
| | | | | | | | | | | | | | | | | | | | | | | | | | | | | | | | | | | | | | | | | | | | | | | | | | | | | | | | | | | | | | | | | | | | | | | | | | | | | | | | | | | | | | | | |
| <table border="1"> <tr><th colspan="2">5.08mm</th></tr> <tr><td colspan="2"></td></tr> <tr><td colspan="2"></td></tr> </table> | | | 5.08mm | | | | | | <table border="1"> <tr><th colspan="2">5EHDK-XXP/1.2</th></tr> <tr><td colspan="2"></td></tr> <tr><td colspan="2"></td></tr> <tr><th colspan="2">5EHDKM-XXP/1.2</th></tr> <tr><td colspan="2"></td></tr> <tr><td colspan="2"></td></tr> </table> | | | | | 5EHDK-XXP/1.2 | | | | | | 5EHDKM-XXP/1.2 | | | | | | <table border="1"> <tr><th colspan="2">5.08mm</th></tr> <tr><td colspan="2"></td></tr> <tr><td colspan="2"></td></tr> </table> | | 5.08mm | | | | | | <table border="1"> <tr><th colspan="2">5EHDK-XXP/1.4</th></tr> <tr><td colspan="2"></td></tr> <tr><td colspan="2"></td></tr> <tr><th colspan="2">5EHDKM-XXP/1.4</th></tr> <tr><td colspan="2"></td></tr> <tr><td colspan="2"></td></tr> </table> | | | | | 5EHDK-XXP/1.4 | | | | | | 5EHDKM-XXP/1.4 | | | | | | <table border="1"> <tr><th colspan="2">7.62mm</th></tr> <tr><td colspan="2"></td></tr> <tr><td colspan="2"></td></tr> </table> | | 7.62mm | | | | | | <table border="1"> <tr><th colspan="2">ECHP762V-XXP</th></tr> <tr><td colspan="2"></td></tr> <tr><td colspan="2"></td></tr> </table> | | | | | ECHP762V-XXP | | | | | | | | | | | | | | | | | | | | | | | |
| 5.08mm | | | | | | | | | | | | | | | | | | | | | | | | | | | | | | | | | | | | | | | | | | | | | | | | | | | | | | | | | | | | | | | | | | | | | | | | | | | | | | | | | | | | | | | |
| | | | | | | | | | | | | | | | | | | | | | | | | | | | | | | | | | | | | | | | | | | | | | | | | | | | | | | | | | | | | | | | | | | | | | | | | | | | | | | | | | | | | | | | |
| | | | | | | | | | | | | | | | | | | | | | | | | | | | | | | | | | | | | | | | | | | | | | | | | | | | | | | | | | | | | | | | | | | | | | | | | | | | | | | | | | | | | | | | |
| 5EHDK-XXP/1.2 | | | | | | | | | | | | | | | | | | | | | | | | | | | | | | | | | | | | | | | | | | | | | | | | | | | | | | | | | | | | | | | | | | | | | | | | | | | | | | | | | | | | | | | |
| | | | | | | | | | | | | | | | | | | | | | | | | | | | | | | | | | | | | | | | | | | | | | | | | | | | | | | | | | | | | | | | | | | | | | | | | | | | | | | | | | | | | | | | |
| | | | | | | | | | | | | | | | | | | | | | | | | | | | | | | | | | | | | | | | | | | | | | | | | | | | | | | | | | | | | | | | | | | | | | | | | | | | | | | | | | | | | | | | |
| 5EHDKM-XXP/1.2 | | | | | | | | | | | | | | | | | | | | | | | | | | | | | | | | | | | | | | | | | | | | | | | | | | | | | | | | | | | | | | | | | | | | | | | | | | | | | | | | | | | | | | | |
| | | | | | | | | | | | | | | | | | | | | | | | | | | | | | | | | | | | | | | | | | | | | | | | | | | | | | | | | | | | | | | | | | | | | | | | | | | | | | | | | | | | | | | | |
| | | | | | | | | | | | | | | | | | | | | | | | | | | | | | | | | | | | | | | | | | | | | | | | | | | | | | | | | | | | | | | | | | | | | | | | | | | | | | | | | | | | | | | | |
| 5.08mm | | | | | | | | | | | | | | | | | | | | | | | | | | | | | | | | | | | | | | | | | | | | | | | | | | | | | | | | | | | | | | | | | | | | | | | | | | | | | | | | | | | | | | | |
| | | | | | | | | | | | | | | | | | | | | | | | | | | | | | | | | | | | | | | | | | | | | | | | | | | | | | | | | | | | | | | | | | | | | | | | | | | | | | | | | | | | | | | | |
| | | | | | | | | | | | | | | | | | | | | | | | | | | | | | | | | | | | | | | | | | | | | | | | | | | | | | | | | | | | | | | | | | | | | | | | | | | | | | | | | | | | | | | | |
| 5EHDK-XXP/1.4 | | | | | | | | | | | | | | | | | | | | | | | | | | | | | | | | | | | | | | | | | | | | | | | | | | | | | | | | | | | | | | | | | | | | | | | | | | | | | | | | | | | | | | | |
| | | | | | | | | | | | | | | | | | | | | | | | | | | | | | | | | | | | | | | | | | | | | | | | | | | | | | | | | | | | | | | | | | | | | | | | | | | | | | | | | | | | | | | | |
| | | | | | | | | | | | | | | | | | | | | | | | | | | | | | | | | | | | | | | | | | | | | | | | | | | | | | | | | | | | | | | | | | | | | | | | | | | | | | | | | | | | | | | | |
| 5EHDKM-XXP/1.4 | | | | | | | | | | | | | | | | | | | | | | | | | | | | | | | | | | | | | | | | | | | | | | | | | | | | | | | | | | | | | | | | | | | | | | | | | | | | | | | | | | | | | | | |
| | | | | | | | | | | | | | | | | | | | | | | | | | | | | | | | | | | | | | | | | | | | | | | | | | | | | | | | | | | | | | | | | | | | | | | | | | | | | | | | | | | | | | | | |
| | | | | | | | | | | | | | | | | | | | | | | | | | | | | | | | | | | | | | | | | | | | | | | | | | | | | | | | | | | | | | | | | | | | | | | | | | | | | | | | | | | | | | | | |
| 7.62mm | | | | | | | | | | | | | | | | | | | | | | | | | | | | | | | | | | | | | | | | | | | | | | | | | | | | | | | | | | | | | | | | | | | | | | | | | | | | | | | | | | | | | | | |
| | | | | | | | | | | | | | | | | | | | | | | | | | | | | | | | | | | | | | | | | | | | | | | | | | | | | | | | | | | | | | | | | | | | | | | | | | | | | | | | | | | | | | | | |
| | | | | | | | | | | | | | | | | | | | | | | | | | | | | | | | | | | | | | | | | | | | | | | | | | | | | | | | | | | | | | | | | | | | | | | | | | | | | | | | | | | | | | | | |
| ECHP762V-XXP | | | | | | | | | | | | | | | | | | | | | | | | | | | | | | | | | | | | | | | | | | | | | | | | | | | | | | | | | | | | | | | | | | | | | | | | | | | | | | | | | | | | | | | |
| | | | | | | | | | | | | | | | | | | | | | | | | | | | | | | | | | | | | | | | | | | | | | | | | | | | | | | | | | | | | | | | | | | | | | | | | | | | | | | | | | | | | | | | |
| | | | | | | | | | | | | | | | | | | | | | | | | | | | | | | | | | | | | | | | | | | | | | | | | | | | | | | | | | | | | | | | | | | | | | | | | | | | | | | | | | | | | | | | |
| <table border="1"> <tr><th colspan="2">5.00mm</th></tr> <tr><td colspan="2"></td></tr> <tr><td colspan="2"></td></tr> </table> | | | 5.00mm | | | | | | <table border="1"> <tr><th colspan="2">5EHDK-XXP/1.6</th></tr> <tr><td colspan="2"></td></tr> <tr><td colspan="2"></td></tr> <tr><th colspan="2">5EHDKM-XXP/1.6</th></tr> <tr><td colspan="2"></td></tr> <tr><td colspan="2"></td></tr> </table> | | | | | 5EHDK-XXP/1.6 | | | | | | 5EHDKM-XXP/1.6 | | | | | | <table border="1"> <tr><th colspan="2">5.08mm</th></tr> <tr><td colspan="2"></td></tr> <tr><td colspan="2"></td></tr> </table> | | 5.08mm | | | | | | <table border="1"> <tr><th colspan="2">5EHDK-XXP/1.2</th></tr> <tr><td colspan="2"></td></tr> <tr><td colspan="2"></td></tr> <tr><th colspan="2">5EHDKM-XXP/1.2</th></tr> <tr><td colspan="2"></td></tr> <tr><td colspan="2"></td></tr> </table> | | | | | 5EHDK-XXP/1.2 | | | | | | 5EHDKM-XXP/1.2 | | | | | | <table border="1"> <tr><th colspan="2">7.62mm</th></tr> <tr><td colspan="2"></td></tr> <tr><td colspan="2"></td></tr> </table> | | 7.62mm | | | | | | <table border="1"> <tr><th colspan="2">ECHP762V-XXP</th></tr> <tr><td colspan="2"></td></tr> <tr><td colspan="2"></td></tr> </table> | | | | | ECHP762V-XXP | | | | | | | | | | | | | | | | | | | | | | | |
| 5.00mm | | | | | | | | | | | | | | | | | | | | | | | | | | | | | | | | | | | | | | | | | | | | | | | | | | | | | | | | | | | | | | | | | | | | | | | | | | | | | | | | | | | | | | | |
| | | | | | | | | | | | | | | | | | | | | | | | | | | | | | | | | | | | | | | | | | | | | | | | | | | | | | | | | | | | | | | | | | | | | | | | | | | | | | | | | | | | | | | | |
| | | | | | | | | | | | | | | | | | | | | | | | | | | | | | | | | | | | | | | | | | | | | | | | | | | | | | | | | | | | | | | | | | | | | | | | | | | | | | | | | | | | | | | | |
| 5EHDK-XXP/1.6 | | | | | | | | | | | | | | | | | | | | | | | | | | | | | | | | | | | | | | | | | | | | | | | | | | | | | | | | | | | | | | | | | | | | | | | | | | | | | | | | | | | | | | | |
| | | | | | | | | | | | | | | | | | | | | | | | | | | | | | | | | | | | | | | | | | | | | | | | | | | | | | | | | | | | | | | | | | | | | | | | | | | | | | | | | | | | | | | | |
| | | | | | | | | | | | | | | | | | | | | | | | | | | | | | | | | | | | | | | | | | | | | | | | | | | | | | | | | | | | | | | | | | | | | | | | | | | | | | | | | | | | | | | | |
| 5EHDKM-XXP/1.6 | | | | | | | | | | | | | | | | | | | | | | | | | | | | | | | | | | | | | | | | | | | | | | | | | | | | | | | | | | | | | | | | | | | | | | | | | | | | | | | | | | | | | | | |
| | | | | | | | | | | | | | | | | | | | | | | | | | | | | | | | | | | | | | | | | | | | | | | | | | | | | | | | | | | | | | | | | | | | | | | | | | | | | | | | | | | | | | | | |
| | | | | | | | | | | | | | | | | | | | | | | | | | | | | | | | | | | | | | | | | | | | | | | | | | | | | | | | | | | | | | | | | | | | | | | | | | | | | | | | | | | | | | | | |
| 5.08mm | | | | | | | | | | | | | | | | | | | | | | | | | | | | | | | | | | | | | | | | | | | | | | | | | | | | | | | | | | | | | | | | | | | | | | | | | | | | | | | | | | | | | | | |
| | | | | | | | | | | | | | | | | | | | | | | | | | | | | | | | | | | | | | | | | | | | | | | | | | | | | | | | | | | | | | | | | | | | | | | | | | | | | | | | | | | | | | | | |
| | | | | | | | | | | | | | | | | | | | | | | | | | | | | | | | | | | | | | | | | | | | | | | | | | | | | | | | | | | | | | | | | | | | | | | | | | | | | | | | | | | | | | | | |
| 5EHDK-XXP/1.2 | | | | | | | | | | | | | | | | | | | | | | | | | | | | | | | | | | | | | | | | | | | | | | | | | | | | | | | | | | | | | | | | | | | | | | | | | | | | | | | | | | | | | | | |
| | | | | | | | | | | | | | | | | | | | | | | | | | | | | | | | | | | | | | | | | | | | | | | | | | | | | | | | | | | | | | | | | | | | | | | | | | | | | | | | | | | | | | | | |
| | | | | | | | | | | | | | | | | | | | | | | | | | | | | | | | | | | | | | | | | | | | | | | | | | | | | | | | | | | | | | | | | | | | | | | | | | | | | | | | | | | | | | | | |
| 5EHDKM-XXP/1.2 | | | | | | | | | | | | | | | | | | | | | | | | | | | | | | | | | | | | | | | | | | | | | | | | | | | | | | | | | | | | | | | | | | | | | | | | | | | | | | | | | | | | | | | |
| | | | | | | | | | | | | | | | | | | | | | | | | | | | | | | | | | | | | | | | | | | | | | | | | | | | | | | | | | | | | | | | | | | | | | | | | | | | | | | | | | | | | | | | |
| | | | | | | | | | | | | | | | | | | | | | | | | | | | | | | | | | | | | | | | | | | | | | | | | | | | | | | | | | | | | | | | | | | | | | | | | | | | | | | | | | | | | | | | |
| 7.62mm | | | | | | | | | | | | | | | | | | | | | | | | | | | | | | | | | | | | | | | | | | | | | | | | | | | | | | | | | | | | | | | | | | | | | | | | | | | | | | | | | | | | | | | |
| | | | | | | | | | | | | | | | | | | | | | | | | | | | | | | | | | | | | | | | | | | | | | | | | | | | | | | | | | | | | | | | | | | | | | | | | | | | | | | | | | | | | | | | |
| | | | | | | | | | | | | | | | | | | | | | | | | | | | | | | | | | | | | | | | | | | | | | | | | | | | | | | | | | | | | | | | | | | | | | | | | | | | | | | | | | | | | | | | |
| ECHP762V-XXP | | | | | | | | | | | | | | | | | | | | | | | | | | | | | | | | | | | | | | | | | | | | | | | | | | | | | | | | | | | | | | | | | | | | | | | | | | | | | | | | | | | | | | | |
| | | | | | | | | | | | | | | | | | | | | | | | | | | | | | | | | | | | | | | | | | | | | | | | | | | | | | | | | | | | | | | | | | | | | | | | | | | | | | | | | | | | | | | | |
| | | | | | | | | | | | | | | | | | | | | | | | | | | | | | | | | | | | | | | | | | | | | | | | | | | | | | | | | | | | | | | | | | | | | | | | | | | | | | | | | | | | | | | | |

Tape & Reel Packaging



PCB Headers are delivered in tape-on-reel packaging according to IEC 60283-3 allowing for easy integration into automated assembly in the reflow process.

For 3.50 / 3.81 / 5.0 / 5.08 / 7.62 mm Pitches

- Part number contains letter "L" means its suitable for reflow process (e.g., 0156-24XXLWR, this item is suitable for reflow process.)
- Part number without "L" means it's suitable for wave soldering
- For headers with plug-in direction vertical to The PCB, pick up cap is included

Embossed Tape and Reel is used to facilitate automatic pick and place equipment feed requirements. The tape is used as the shipping container for various products and requires a minimum of handling. The antistatic/conductive tape provides a secure cavity for the product when sealed with the "peel-back" cover tape.



Pick up cap for vertical socket/header



T & R packaging in antistatic material



Customized tape, tube magazine packing by request

| 3.50mm | | | 0156-26XX-BK-WR 0156-26XXLWR | 0156-25XX-BK-WR 0156-25XXLWR | 0156-29XX-BK-WR 0156-29XXLWR |
|---|------|--------|---------------------------------|---------------------------------|---------------------------------|
| Technical Data | UL | IEC | | | |
| Rated voltage | 150V | 320V | | | |
| Rated current | 10A | 10A | | | |
| Rated impulse voltage | | 2.5KV | | | |
| Number of Positions | | | | | |
| 0156-24XX-BK-WR | | 04~28P | | | |
| 0156-24XXLWR | | | | | |
| 0156-20XX-BK-WR | | | | | |
| 0156-20XXLWR | | | | | |
| 0156-21XX-BK-WR | | | | | |
| 0156-21XXLWR | | | | | |
| 0156-21XX-BK-WR | | 04~32P | | | |
| 0156-26XX-BK-WR | | | | | |
| 0156-26XXLWR | | | | | |
| 0156-29XX-BK-WR | | | | | |
| 0156-29XXLWR | | | | | |
| 0156-25XX-BK-WR | | | | | |
| 0156-25XXLWR | | 04~36P | | | |
| * The last suffix "L" of part number represents THR version and the accessories is EHDK1L (P66) | | | | | |
| 3.50mm | | | 0156-21XX-BK-WR 0156-21XXLWR | 0156-20XX-BK-WR 0156-20XXLWR | 0156-24XX-BK-WR 0156-24XXLWR |
| | | | | | |
| | | | | | |
| 3.50mm | | | 0159-11XXWR 0159-11XXLWR | 0159-31XXWR 0159-31XXLWR | |
| Technical Data | UL | IEC | | | |
| Rated voltage | 150V | 320V | | | |
| Rated current | | | 10A | 8A | |
| 0159-11XXWR | | | | | |
| 0159-11XXLWR | | | | | |
| 0159-12XXWR | | | | | |
| 0159-12XXLWR | | | | | |
| 0159-31XXWR | | | | | |
| 0159-31XXLWR | | | | | |
| 0159-32XXWR | | | | | |
| 0159-32XXLWR | | | | | |
| Rated impulse voltage | | | | 2.5KV | |
| Number of Positions | | | | | |
| 0159-11XXWR | | 04~36P | | | |
| 0159-11XXLWR | | | | | |
| 0159-12XXWR | | | | | |
| 0159-12XXLWR | | | | | |
| 0159-31XXWR | | | | | |
| 0159-31XXLWR | | 04~40P | | | |
| 0159-32XXWR | | | | | |
| 0159-32XXLWR | | | | | |
| * The last suffix "L" of part number represents THR version and the accessories is EHDK1L (P66) | | | | | |
| 3.50mm | | | 0159-12XXWR 0159-12XXLWR | 0159-32XXWR 0159-32XXLWR | |
| | | | | | |
| | | | | | |

5.08mm

| Technical Data | UL | IEC |
|-------------------------------|-----------|------|
| Rated voltage | 300V | 630V |
| Rated current | 15A / 20A | 18A |
| Rated impulse voltage | 4KV | |
| Number of Positions | | |
| 2EHDVM-XXPWR 2EHDVM-XXPLWR | 02~10P | |
| 2EHDRC-XXPWR 2EHDRC-XXPLWR | 02~11P | |
| 2EHDV-XXPWR 2EHDV-XXPLWR | 02~12P | |
| 2EHDV-XXPWR 2EHDV-XXPLWR | 02~13P | |
| Accessories | | |
| EHDK1 | P66 | |

*The last suffix "L" of part number represents THR version and the accessories is EHDK1L (P66)

| 2EHDV-XXPWR 2EHDV-XXPLWR | 2EHDVC-XXPWR 2EHDVC-XXPLWR | 2EHDVM-XXPWR 2EHDVM-XXPLWR |
|-----------------------------|-------------------------------|-------------------------------|
| | | |
| | | |

7.62mm

| Technical Data | UL | IEC |
|-------------------------------|--------|------|
| Rated voltage | 300V | 800V |
| Rated current | 15A | 18A |
| Rated impulse voltage | 6KV | |
| Number of Positions | | |
| 3EHDRC-XXPWR 3EHDVM-XXPWR | 02~07P | |
| 3EHDRC-XXPWR 3EHDRC-XXPLWR | 02~08P | |
| 3EHDV-XXPWR 3EHDV-XXPLWR | 02~09P | |
| Accessories | | |
| EHDK1 | P65 | |

| 3EHDV-XXPWR 3EHDV-XXPLWR | 3EHDVC-XXPWR 3EHDVC-XXPLWR | 3EHDVM-XXPWR 3EHDVM-XXPLWR |
|-----------------------------|-------------------------------|-------------------------------|
| | | |
| | | |

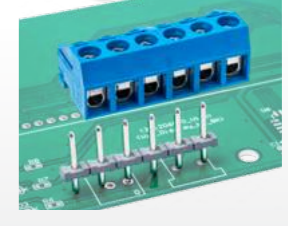
PID Plugs & Pin Strips



**Connection method: Push-in connection
Screw connection**

Pitch: 3.50 / 4.0 / 5.0 / 5.08mm
UL Rated: 150V/2A ~ 300V/12A
IEC Rated: 160V/4A ~ 320V/17.5A

Screw Plugs & Pin Strips



- 0191 connector cover, as the function of a lever, helps to remove the plug from the pin strip
- Reliable contact structure with high current capacity
- The plug "ED130T-XXP" is designed with a snap-in locking feet making installation on a mounting plate quick and easy
- For the pin strip part number which contains "TH" meaning the plastic is in high temperature withstand material for reflow soldering process.
- 0162 and 0164 series plugs are easy to plug in the pin socket, which is designed to make the combination more stable and solid
- Various lengths of pin strip are available by request

3.50mm

| Technical Data | UL | IEC |
|---------------------------------|-------|---------|
| Rated voltage | 300V | 320V |
| Rated current | 8A | 9A |
| Solid (AWG/mm ²) | 24~16 | 0.2~1.5 |
| Flexible (AWG/mm ²) | 24~16 | 0.2~1.5 |
| Rated impulse voltage | 4KV | |
| Wire strip length | 8~9mm | |
| Number of Positions | | |
| 02~20P | | |

*UL=150V IEC=160V
Pin strip:0191-16XXTH
Various pin lengths available

| 0191-06XX | 0191-06XXC | 0191-16XXTH |
|-----------|------------|-------------|
| | | |
| | | |

5.00mm

| Technical Data | UL | IEC |
|---------------------------------|-------|---------|
| Rated voltage | 300V | 630V |
| Rated current | 12A | 10A |
| Solid (AWG/mm ²) | 22~14 | 0.5~1.5 |
| Flexible (AWG/mm ²) | 22~14 | 0.5~1.5 |
| Rated impulse voltage | 4KV | |
| Torque (N-m) | 0.3 | |
| Screw | M2.5 | |
| Wire strip length | 5~6mm | |
| Number of Positions | | |
| 02~20P | | |

| ED130T-XXP | EDH130-21XX | EDH130-21XXTH |
|------------|-------------|---------------|
| | | |
| | | |

5.00mm

| Technical Data | UL | IEC |
|---------------------------------|---------|---------|
| Rated voltage | 300V | 320V |
| Rated current | 7A | 10A |
| Solid (AWG/mm ²) | 22~14 | 0.5~1.5 |
| Flexible (AWG/mm ²) | 22~14 | 0.5~1.5 |
| Rated impulse voltage | 4KV | |
| Torque (N-m) | 0.3~0.4 | |
| Screw | M2.5 | |
| Wire strip length | 5~6mm | |
| Number of Positions | | |
| ED130F-XXP | 02~20P | |
| EDH130F-XXTH126 | 02~24P | |
| EDH130F-XX/12.6 | 02~24P | |

| ED130F-XXP | EDH130F-XX/12.6 | EDH130F-XXTH126 |
|------------|-----------------|-----------------|
| | | |
| | | |

3.50mm

| Technical Data | | UL | IEC |
|---------------------------------|--|--------|---------|
| Rated voltage | | 150V | 160V |
| Rated current | | 2A | 4A |
| Solid (AWG/mm ²) | | 28~16 | 0.5~1.5 |
| Flexible (AWG/mm ²) | | 28~16 | 0.5~1.5 |
| Rated impulse voltage | | | 3KV |
| Wire strip length | | 8~9mm | |
| Number of Positions | | 02~20P | |

· Pin strip: 0191-11XXTH

0191-01XX

0191-01XXC

0191-11XXTH

5.00mm

| Technical Data | | UL | IEC |
|---------------------------------|--|--------|---------|
| Rated voltage | | 300V | 320V |
| Rated current | | 2A | 4A |
| Solid (AWG/mm ²) | | 28~16 | 0.5~1.5 |
| Flexible (AWG/mm ²) | | 28~16 | 0.5~1.5 |
| Rated impulse voltage | | | 4KV |
| Screw | | 8~9mm | |
| Number of Positions | | 02~20P | |

*UL=5A
Pin strip: 0191-12XXTH
Various pin lengths available

0191-02XX

0191-02XXC

0191-12XXTH

5.00mm

| Technical Data | | UL | IEC |
|---------------------------------|--|--------|---------|
| Rated voltage | | 300V | 320V |
| Rated current | | 5A | 5A |
| Solid (AWG/mm ²) | | 24~16 | 0.5~1.5 |
| Flexible (AWG/mm ²) | | 24~16 | 0.5~1.5 |
| Rated impulse voltage | | | 4KV |
| Wire strip length | | 8mm | |
| Number of Positions | | 02~20P | |

0191-04XX

0191-04XXC

5.00mm

| Technical Data | | UL | IEC |
|---------------------------------|--|-----------------------------|----------|
| Rated voltage | | 300V | 630A |
| Rated current | | 7A | 9A |
| Solid (AWG/mm ²) | | 24~18 | 0.2~0.75 |
| Flexible (AWG/mm ²) | | 24~18 | 0.2~0.75 |
| Rated impulse voltage | | | 4KV |
| Wire strip length | | 6~7mm | |
| Number of Positions | | 0190-05XX 02~24P | |
| | | EDH130S-20XXTHT 03P,05P,06P | |

0191-05XX

EDH130S-20XXTHT

4.00mm

| Technical Data | | UL | IEC |
|---------------------------------|--|--------|---------|
| Rated voltage | | 300V | 320V |
| Rated current | | 10A | 17.5A |
| Solid (AWG/mm ²) | | 24~14 | 0.2~2.5 |
| Flexible (AWG/mm ²) | | 24~14 | 0.2~2.5 |
| Rated impulse voltage | | | 4KV |
| Torque (N-m) | | 0.45 | |
| Screw | | M2.5 | |
| Wire strip length | | 6~7mm | |
| Number of Positions | | 02~24P | |

· Socket: 0162-11XX

0162-01XX

0162-A1XX

0162-11XX

4.00mm

| Technical Data | | UL | IEC |
|---------------------------------|--|---------|---------|
| Rated voltage | | 300V | 320V |
| Rated current | | 10A | 10A |
| Solid (AWG/mm ²) | | 24~14 | 0.2~1.5 |
| Flexible (AWG/mm ²) | | 24~14 | 0.2~1.5 |
| Rated impulse voltage | | | 4KV |
| Wire strip length | | 10~11mm | |
| Number of Positions | | 02~24P | |

· Socket: 0162-11XX

0162-06XX

0162-A6XX

5.08mm

| Technical Data | | UL | IEC |
|---------------------------------|--|---------|---------|
| Rated voltage | | 300V | 320V |
| Rated current | | 10A | 15A |
| Solid (AWG/mm ²) | | 26~12 | 0.2~2.5 |
| Flexible (AWG/mm ²) | | 26~12 | 0.2~2.5 |
| Rated impulse voltage | | | 4KV |
| Torque (N-m) | | 0.5~0.6 | |
| Screw | | M3/M2.5 | |
| Wire strip length | | 6~7mm | |
| Number of Positions | | 02~24P | |

· Socket: 0164-11XX, 0164-12XX

0164-01XX 0164-01XX(T)

0164-A1XX 0164-A1XX(T)

0164-11XX 0164-11XXL

0164-02XX

0164-A2XX

0164-12XX

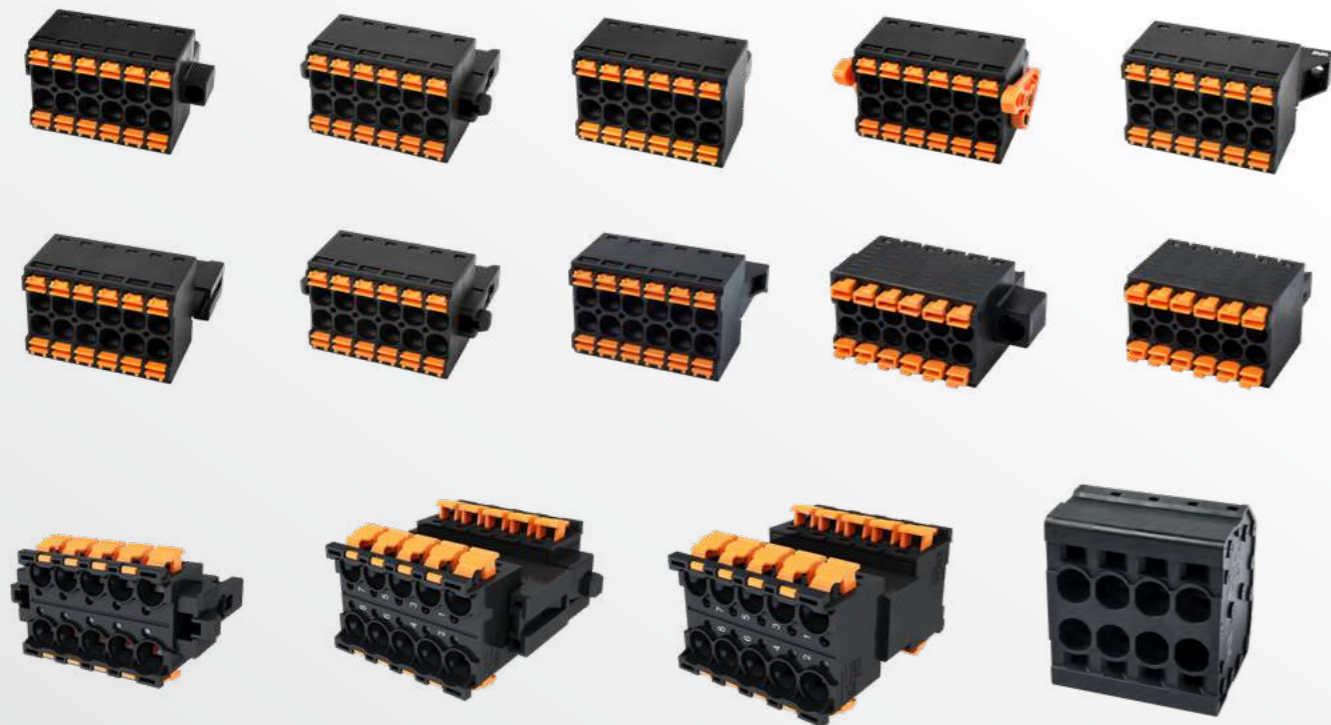
Feed-Through connectors

Dual-output feed-through connector is an electrical connector which is between frequently plugged/unplugged cables and their applications to secure electrical contacts and to provide high-speed data transmission.

These connectors are typically used in products that require data transfer or internet connectivity which needs to convey signals between devices like PLC or other controllers.

0161, 0181 and 0187 series products can provide serial communication solutions, in the communication protocol applications such as Profibus, CANbus and Modbus 485, the communication signals are transmitted between the master station and the slave stations via the connector's connections.

With Dinkle wide range of PCB sockets, 0161, 0181 and 0187 series can mate with 3.50mm, 5.00mm and 10.16mm pitch socket to carry out the applications of PCB-to-Wire and Wire-to-Wire solutions.



| 3.50mm | | 0181-A1XX | Socket | |
|---------------------------------|-------|-------------|---|-----|
| Technical Data | UL | IEC | ECH350RM-XXP | P32 |
| Rated voltage | 300V | 320V | ECH350RM-XXPL | P32 |
| Rated current | 8A | 8A | ECH350VM-XXP | P32 |
| Solid (AWG/mm ²) | 24~16 | 0.2~1.5 | ECH350VM-XXPL | P32 |
| Flexible (AWG/mm ²) | 24~16 | 0.2~1.5 | ECH350RRM-XXP | P69 |
| Rated impulse voltage | | 2.5KV | ECH350RRM-XXPL | P69 |
| Wire strip length | | 9~10mm | Please refer to the related page number for the compatible headers. | |
| Number of Positions | | | | |
| | | 02~24P | | |
| | | | | |
| 3.50mm | | 0181-A3XX | Socket | |
| Technical Data | UL | IEC | ECH350H-XXP | P68 |
| Rated voltage | 300V | 320V | ECH350R-XXP | P69 |
| Rated current | 8A | 8A | ECH350R-XXPL | P69 |
| Solid (AWG/mm ²) | 24~16 | 0.2~1.5 | ECH350V-XXP | P69 |
| Flexible (AWG/mm ²) | 24~16 | 0.2~1.5 | ECH350V-XXPL | P69 |
| Rated impulse voltage | | 2.5KV | ECH350RR-XXP | P69 |
| Wire strip length | | 9~10mm | ECH350RR-XXPL | P69 |
| Number of Positions | | | Please refer to the related page number for the compatible headers. | |
| | | 02~24P | | |
| | | | | |
| 5.08mm | | 2ESDVB-XXP | Socket | |
| Technical Data | UL | IEC | 2EHDVC-XXP | P76 |
| Rated voltage | 300V | 630V | 2EHDVC-XXPL | P76 |
| Rated current | 15A | 18A | 2EHDR-XXP | P76 |
| Solid (AWG/mm ²) | 28~12 | 0.2~4 | 2EHDR-XXPL | P76 |
| Flexible (AWG/mm ²) | 30~12 | 0.2~2.5 | 2EHDRC-XXP | P76 |
| Rated impulse voltage | | 4KV | 2EHDRC-XXPL | P76 |
| Torque (N-m) | | 0.5~0.6 | 2EHDAC-XXP | P75 |
| Screw | | M2.5 | Please refer to the related page number for the compatible headers. | |
| Wire strip length | | 7~8mm | | |
| Number of Positions | | | | |
| | | 02~12P | | |
| | | | | |
| 5.08mm | | 2ESDVBM-XXP | Socket | |
| Technical Data | UL | IEC | 2EHDVM-XXP | P76 |
| Rated voltage | 300V | 630V | 2EHDVM-XXPL | P76 |
| Rated current | 15A | 18A | 2EHDRM-XXP | P76 |
| Solid (AWG/mm ²) | 28~12 | 0.2~4 | 2EHDRM-XXPL | P76 |
| Flexible (AWG/mm ²) | 30~12 | 0.2~2.5 | 2EHDP-XXP | P81 |
| Rated impulse voltage | | 4KV | Please refer to the related page number for the compatible headers. | |
| Torque (N-m) | | 0.5~0.6 | | |
| Screw | | M2.5 | | |
| Wire strip length | | 7~8mm | | |
| Number of Positions | | | | |
| | | 02~12P | | |
| | | | | |

| 5.00mm | | 0161-01XX | 0161-11XX | Socket | | | | | | | | | | | | | | | | | | | | | | | | | | | | | | | | | | | | | | | | | | |
|--|----------------|-----------|--|---------------|-----------|------|---------------|-----|-----------|------------------------------|------------|---------|---------------------------------|-------|---------|-----------------------|-----|--|-------------------|---------|--|---------------------|--|--|--------|--|--|-------------|--|--|--------|-----|--|--|--|--|-----------|-----|------------|-----|-----------|-----|------------|-----|--|--|
| <table border="1"> <tr><td>Technical Data</td><td>UL</td><td>IEC</td></tr> <tr><td>Rated voltage</td><td>300V</td><td>630V</td></tr> <tr><td>Rated current</td><td>15A</td><td>18A</td></tr> <tr><td>Solid (AWG/mm²)</td><td>26~12</td><td>0.2~2.5</td></tr> <tr><td>Flexible (AWG/mm²)</td><td>26~12</td><td>0.2~2.5</td></tr> <tr><td>Rated impulse voltage</td><td colspan="2">4KV</td></tr> <tr><td>Wire strip length</td><td colspan="2">12~13mm</td></tr> <tr><td colspan="3">Number of Positions</td></tr> <tr><td colspan="3">02~24P</td></tr> <tr><td colspan="3">Accessories</td></tr> <tr><td>0227K1</td><td colspan="2">P27</td></tr> </table> | Technical Data | UL | IEC | Rated voltage | 300V | 630V | Rated current | 15A | 18A | Solid (AWG/mm ²) | 26~12 | 0.2~2.5 | Flexible (AWG/mm ²) | 26~12 | 0.2~2.5 | Rated impulse voltage | 4KV | | Wire strip length | 12~13mm | | Number of Positions | | | 02~24P | | | Accessories | | | 0227K1 | P27 | | | | <table border="1"> <tr><td>0227-16XX</td><td>P24</td></tr> <tr><td>0227-16XXL</td><td>P24</td></tr> <tr><td>0227-17XX</td><td>P24</td></tr> <tr><td>0227-17XXL</td><td>P24</td></tr> </table> <p>Please refer to the related page number for the compatible headers.</p> | 0227-16XX | P24 | 0227-16XXL | P24 | 0227-17XX | P24 | 0227-17XXL | P24 | | |
| Technical Data | UL | IEC | | | | | | | | | | | | | | | | | | | | | | | | | | | | | | | | | | | | | | | | | | | | |
| Rated voltage | 300V | 630V | | | | | | | | | | | | | | | | | | | | | | | | | | | | | | | | | | | | | | | | | | | | |
| Rated current | 15A | 18A | | | | | | | | | | | | | | | | | | | | | | | | | | | | | | | | | | | | | | | | | | | | |
| Solid (AWG/mm ²) | 26~12 | 0.2~2.5 | | | | | | | | | | | | | | | | | | | | | | | | | | | | | | | | | | | | | | | | | | | | |
| Flexible (AWG/mm ²) | 26~12 | 0.2~2.5 | | | | | | | | | | | | | | | | | | | | | | | | | | | | | | | | | | | | | | | | | | | | |
| Rated impulse voltage | 4KV | | | | | | | | | | | | | | | | | | | | | | | | | | | | | | | | | | | | | | | | | | | | | |
| Wire strip length | 12~13mm | | | | | | | | | | | | | | | | | | | | | | | | | | | | | | | | | | | | | | | | | | | | | |
| Number of Positions | | | | | | | | | | | | | | | | | | | | | | | | | | | | | | | | | | | | | | | | | | | | | | |
| 02~24P | | | | | | | | | | | | | | | | | | | | | | | | | | | | | | | | | | | | | | | | | | | | | | |
| Accessories | | | | | | | | | | | | | | | | | | | | | | | | | | | | | | | | | | | | | | | | | | | | | | |
| 0227K1 | P27 | | | | | | | | | | | | | | | | | | | | | | | | | | | | | | | | | | | | | | | | | | | | | |
| 0227-16XX | P24 | | | | | | | | | | | | | | | | | | | | | | | | | | | | | | | | | | | | | | | | | | | | | |
| 0227-16XXL | P24 | | | | | | | | | | | | | | | | | | | | | | | | | | | | | | | | | | | | | | | | | | | | | |
| 0227-17XX | P24 | | | | | | | | | | | | | | | | | | | | | | | | | | | | | | | | | | | | | | | | | | | | | |
| 0227-17XXL | P24 | | | | | | | | | | | | | | | | | | | | | | | | | | | | | | | | | | | | | | | | | | | | | |
| | | | <table border="1"> <tr><td>0227-26XX</td><td>P24</td></tr> <tr><td>0227-26XXL</td><td>P24</td></tr> <tr><td>0227-27XX</td><td>P24</td></tr> <tr><td>0227-27XXL</td><td>P24</td></tr> </table> <p>Please refer to the related page number for the compatible headers.</p> | | 0227-26XX | P24 | 0227-26XXL | P24 | 0227-27XX | P24 | 0227-27XXL | P24 | | | | | | | | | | | | | | | | | | | | | | | | | | | | | | | | | | |
| 0227-26XX | P24 | | | | | | | | | | | | | | | | | | | | | | | | | | | | | | | | | | | | | | | | | | | | | |
| 0227-26XXL | P24 | | | | | | | | | | | | | | | | | | | | | | | | | | | | | | | | | | | | | | | | | | | | | |
| 0227-27XX | P24 | | | | | | | | | | | | | | | | | | | | | | | | | | | | | | | | | | | | | | | | | | | | | |
| 0227-27XXL | P24 | | | | | | | | | | | | | | | | | | | | | | | | | | | | | | | | | | | | | | | | | | | | | |
| | | | <table border="1"> <tr><td>0227-26XX</td><td>P24</td></tr> <tr><td>0227-26XXL</td><td>P24</td></tr> <tr><td>0227-27XX</td><td>P24</td></tr> <tr><td>0227-27XXL</td><td>P24</td></tr> </table> <p>Please refer to the related page number for the compatible headers.</p> | | 0227-26XX | P24 | 0227-26XXL | P24 | 0227-27XX | P24 | 0227-27XXL | P24 | | | | | | | | | | | | | | | | | | | | | | | | | | | | | | | | | | |
| 0227-26XX | P24 | | | | | | | | | | | | | | | | | | | | | | | | | | | | | | | | | | | | | | | | | | | | | |
| 0227-26XXL | P24 | | | | | | | | | | | | | | | | | | | | | | | | | | | | | | | | | | | | | | | | | | | | | |
| 0227-27XX | P24 | | | | | | | | | | | | | | | | | | | | | | | | | | | | | | | | | | | | | | | | | | | | | |
| 0227-27XXL | P24 | | | | | | | | | | | | | | | | | | | | | | | | | | | | | | | | | | | | | | | | | | | | | |
| | | | <table border="1"> <tr><td>0227-09XX</td><td></td></tr> </table> | | 0227-09XX | | | | | | | | | | | | | | | | | | | | | | | | | | | | | | | | | | | | | | | | | |
| 0227-09XX | | | | | | | | | | | | | | | | | | | | | | | | | | | | | | | | | | | | | | | | | | | | | | |

| 5.08mm | | 2ESDB-XXP | 2ESDBA-XXP | Socket | | | | | | | | | | | | | | | | | | | | | | | | | | | | | | | | | | | | | | | | | | | | | | | | | | | | | | | | | | | | | |
|---|----------------|-----------|---|---------------|-------------|------|---------------|-----|-------------|------------------------------|---------------|---------|---------------------------------|-------|-------------|-----------------------|-------------|-----|-------------------|---------|--|---------------------|--|--|--------|--|--|-------------|--|--|-------|-----|--|-------|-----|--|--|--|---|-----------|-----|------------|-----|-----------|-----|------------|-----|------------|-----|-------------|-----|-----------|-----|------------|-----|------------|-----|-------------|-----|-------------|-----|-------------|-----|--|--|
| <table border="1"> <tr><td>Technical Data</td><td>UL</td><td>IEC</td></tr> <tr><td>Rated voltage</td><td>300V</td><td>600V</td></tr> <tr><td>Rated current</td><td>12A</td><td>15A</td></tr> <tr><td>Solid (AWG/mm²)</td><td>24~12</td><td>0.2~2.5</td></tr> <tr><td>Flexible (AWG/mm²)</td><td>24~12</td><td>0.2~2.5</td></tr> <tr><td>Rated impulse voltage</td><td colspan="2">4KV</td></tr> <tr><td>Wire strip length</td><td colspan="2">11~12mm</td></tr> <tr><td colspan="3">Number of Positions</td></tr> <tr><td colspan="3">02~24P</td></tr> <tr><td colspan="3">Accessories</td></tr> <tr><td>ESDK1</td><td colspan="2">P66</td></tr> <tr><td>ESDK2</td><td colspan="2">P66</td></tr> </table> | Technical Data | UL | IEC | Rated voltage | 300V | 600V | Rated current | 12A | 15A | Solid (AWG/mm ²) | 24~12 | 0.2~2.5 | Flexible (AWG/mm ²) | 24~12 | 0.2~2.5 | Rated impulse voltage | 4KV | | Wire strip length | 11~12mm | | Number of Positions | | | 02~24P | | | Accessories | | | ESDK1 | P66 | | ESDK2 | P66 | | | | <table border="1"> <tr><td>2EHDA-XXP</td><td>P75</td></tr> <tr><td>2EHDAC-XXP</td><td>P75</td></tr> <tr><td>2EHDR-XXP</td><td>P76</td></tr> <tr><td>2EHDR-XXPL</td><td>P76</td></tr> <tr><td>2EHDRC-XXP</td><td>P76</td></tr> <tr><td>2EHDRC-XXPL</td><td>P76</td></tr> <tr><td>2EHDV-XXP</td><td>P76</td></tr> <tr><td>2EHDV-XXPL</td><td>P76</td></tr> <tr><td>2EHDVC-XXP</td><td>P76</td></tr> <tr><td>2EHDVC-XXPL</td><td>P76</td></tr> <tr><td>2EHDRC-XXPL</td><td>P76</td></tr> <tr><td>2EHDRC-XXPL</td><td>P76</td></tr> </table> <p>Please refer to the related page number for the compatible headers.</p> | 2EHDA-XXP | P75 | 2EHDAC-XXP | P75 | 2EHDR-XXP | P76 | 2EHDR-XXPL | P76 | 2EHDRC-XXP | P76 | 2EHDRC-XXPL | P76 | 2EHDV-XXP | P76 | 2EHDV-XXPL | P76 | 2EHDVC-XXP | P76 | 2EHDVC-XXPL | P76 | 2EHDRC-XXPL | P76 | 2EHDRC-XXPL | P76 | | |
| Technical Data | UL | IEC | | | | | | | | | | | | | | | | | | | | | | | | | | | | | | | | | | | | | | | | | | | | | | | | | | | | | | | | | | | | | | | |
| Rated voltage | 300V | 600V | | | | | | | | | | | | | | | | | | | | | | | | | | | | | | | | | | | | | | | | | | | | | | | | | | | | | | | | | | | | | | | |
| Rated current | 12A | 15A | | | | | | | | | | | | | | | | | | | | | | | | | | | | | | | | | | | | | | | | | | | | | | | | | | | | | | | | | | | | | | | |
| Solid (AWG/mm ²) | 24~12 | 0.2~2.5 | | | | | | | | | | | | | | | | | | | | | | | | | | | | | | | | | | | | | | | | | | | | | | | | | | | | | | | | | | | | | | | |
| Flexible (AWG/mm ²) | 24~12 | 0.2~2.5 | | | | | | | | | | | | | | | | | | | | | | | | | | | | | | | | | | | | | | | | | | | | | | | | | | | | | | | | | | | | | | | |
| Rated impulse voltage | 4KV | | | | | | | | | | | | | | | | | | | | | | | | | | | | | | | | | | | | | | | | | | | | | | | | | | | | | | | | | | | | | | | | |
| Wire strip length | 11~12mm | | | | | | | | | | | | | | | | | | | | | | | | | | | | | | | | | | | | | | | | | | | | | | | | | | | | | | | | | | | | | | | | |
| Number of Positions | | | | | | | | | | | | | | | | | | | | | | | | | | | | | | | | | | | | | | | | | | | | | | | | | | | | | | | | | | | | | | | | | |
| 02~24P | | | | | | | | | | | | | | | | | | | | | | | | | | | | | | | | | | | | | | | | | | | | | | | | | | | | | | | | | | | | | | | | | |
| Accessories | | | | | | | | | | | | | | | | | | | | | | | | | | | | | | | | | | | | | | | | | | | | | | | | | | | | | | | | | | | | | | | | | |
| ESDK1 | P66 | | | | | | | | | | | | | | | | | | | | | | | | | | | | | | | | | | | | | | | | | | | | | | | | | | | | | | | | | | | | | | | | |
| ESDK2 | P66 | | | | | | | | | | | | | | | | | | | | | | | | | | | | | | | | | | | | | | | | | | | | | | | | | | | | | | | | | | | | | | | | |
| 2EHDA-XXP | P75 | | | | | | | | | | | | | | | | | | | | | | | | | | | | | | | | | | | | | | | | | | | | | | | | | | | | | | | | | | | | | | | | |
| 2EHDAC-XXP | P75 | | | | | | | | | | | | | | | | | | | | | | | | | | | | | | | | | | | | | | | | | | | | | | | | | | | | | | | | | | | | | | | | |
| 2EHDR-XXP | P76 | | | | | | | | | | | | | | | | | | | | | | | | | | | | | | | | | | | | | | | | | | | | | | | | | | | | | | | | | | | | | | | | |
| 2EHDR-XXPL | P76 | | | | | | | | | | | | | | | | | | | | | | | | | | | | | | | | | | | | | | | | | | | | | | | | | | | | | | | | | | | | | | | | |
| 2EHDRC-XXP | P76 | | | | | | | | | | | | | | | | | | | | | | | | | | | | | | | | | | | | | | | | | | | | | | | | | | | | | | | | | | | | | | | | |
| 2EHDRC-XXPL | P76 | | | | | | | | | | | | | | | | | | | | | | | | | | | | | | | | | | | | | | | | | | | | | | | | | | | | | | | | | | | | | | | | |
| 2EHDV-XXP | P76 | | | | | | | | | | | | | | | | | | | | | | | | | | | | | | | | | | | | | | | | | | | | | | | | | | | | | | | | | | | | | | | | |
| 2EHDV-XXPL | P76 | | | | | | | | | | | | | | | | | | | | | | | | | | | | | | | | | | | | | | | | | | | | | | | | | | | | | | | | | | | | | | | | |
| 2EHDVC-XXP | P76 | | | | | | | | | | | | | | | | | | | | | | | | | | | | | | | | | | | | | | | | | | | | | | | | | | | | | | | | | | | | | | | | |
| 2EHDVC-XXPL | P76 | | | | | | | | | | | | | | | | | | | | | | | | | | | | | | | | | | | | | | | | | | | | | | | | | | | | | | | | | | | | | | | | |
| 2EHDRC-XXPL | P76 | | | | | | | | | | | | | | | | | | | | | | | | | | | | | | | | | | | | | | | | | | | | | | | | | | | | | | | | | | | | | | | | |
| 2EHDRC-XXPL | P76 | | | | | | | | | | | | | | | | | | | | | | | | | | | | | | | | | | | | | | | | | | | | | | | | | | | | | | | | | | | | | | | | |
| | | | <table border="1"> <tr><td>2EHDRC-XXP</td><td>P76</td></tr> <tr><td>2EHDRC-XXPL</td><td>P76</td></tr> <tr><td>2EHDV-XXP</td><td>P76</td></tr> <tr><td>2EHDV-XXPL</td><td>P76</td></tr> <tr><td>2EHDVC-XXP</td><td>P76</td></tr> <tr><td>2EHDVC-XXPL</td><td>P76</td></tr> <tr><td>2EHDRC-XXPL</td><td>P76</td></tr> <tr><td>2EHDRC-XXPL</td><td>P76</td></tr> </table> <p>Please refer to the related page number for the compatible headers.</p> | | 2EHDRC-XXP | P76 | 2EHDRC-XXPL | P76 | 2EHDV-XXP | P76 | 2EHDV-XXPL | P76 | 2EHDVC-XXP | P76 | 2EHDVC-XXPL | P76 | 2EHDRC-XXPL | P76 | 2EHDRC-XXPL | P76 | | | | | | | | | | | | | | | | | | | | | | | | | | | | | | | | | | | | | | | | | | | | | |
| 2EHDRC-XXP | P76 | | | | | | | | | | | | | | | | | | | | | | | | | | | | | | | | | | | | | | | | | | | | | | | | | | | | | | | | | | | | | | | | |
| 2EHDRC-XXPL | P76 | | | | | | | | | | | | | | | | | | | | | | | | | | | | | | | | | | | | | | | | | | | | | | | | | | | | | | | | | | | | | | | | |
| 2EHDV-XXP | P76 | | | | | | | | | | | | | | | | | | | | | | | | | | | | | | | | | | | | | | | | | | | | | | | | | | | | | | | | | | | | | | | | |
| 2EHDV-XXPL | P76 | | | | | | | | | | | | | | | | | | | | | | | | | | | | | | | | | | | | | | | | | | | | | | | | | | | | | | | | | | | | | | | | |
| 2EHDVC-XXP | P76 | | | | | | | | | | | | | | | | | | | | | | | | | | | | | | | | | | | | | | | | | | | | | | | | | | | | | | | | | | | | | | | | |
| 2EHDVC-XXPL | P76 | | | | | | | | | | | | | | | | | | | | | | | | | | | | | | | | | | | | | | | | | | | | | | | | | | | | | | | | | | | | | | | | |
| 2EHDRC-XXPL | P76 | | | | | | | | | | | | | | | | | | | | | | | | | | | | | | | | | | | | | | | | | | | | | | | | | | | | | | | | | | | | | | | | |
| 2EHDRC-XXPL | P76 | | | | | | | | | | | | | | | | | | | | | | | | | | | | | | | | | | | | | | | | | | | | | | | | | | | | | | | | | | | | | | | | |
| | | | <table border="1"> <tr><td>ECH116L-XXP</td><td>P65</td></tr> <tr><td>ECH116V-XXP</td><td>P65</td></tr> <tr><td>ECH116R-XXP</td><td>P65</td></tr> <tr><td>ECH116HVS-XXP</td><td>P65</td></tr> <tr><td>ECH116HRS-XXP</td><td>P65</td></tr> </table> <p>Please refer to the related page number for the compatible headers.</p> | | ECH116L-XXP | P65 | ECH116V-XXP | P65 | ECH116R-XXP | P65 | ECH116HVS-XXP | P65 | ECH116HRS-XXP | P65 | | | | | | | | | | | | | | | | | | | | | | | | | | | | | | | | | | | | | | | | | | | | | | | | | | | |
| ECH116L-XXP | P65 | | | | | | | | | | | | | | | | | | | | | | | | | | | | | | | | | | | | | | | | | | | | | | | | | | | | | | | | | | | | | | | | |
| ECH116V-XXP | P65 | | | | | | | | | | | | | | | | | | | | | | | | | | | | | | | | | | | | | | | | | | | | | | | | | | | | | | | | | | | | | | | | |
| ECH116R-XXP | P65 | | | | | | | | | | | | | | | | | | | | | | | | | | | | | | | | | | | | | | | | | | | | | | | | | | | | | | | | | | | | | | | | |
| ECH116HVS-XXP | P65 | | | | | | | | | | | | | | | | | | | | | | | | | | | | | | | | | | | | | | | | | | | | | | | | | | | | | | | | | | | | | | | | |
| ECH116HRS-XXP | P65 | | | | | | | | | | | | | | | | | | | | | | | | | | | | | | | | | | | | | | | | | | | | | | | | | | | | | | | | | | | | | | | | |

Wire-to-Wire Connection








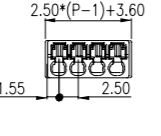







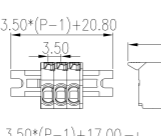
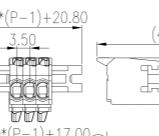
Connection method:
screw connection /
PID Plug & Sockets






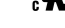









Pitch:
2.50mm / 3.50mm /
5.08mm / 10.16mm
UL Rated:
300V / 8A~600V / 51A
IEC Rated:
300V / 14A~1000V / 76A

This series of connectors is to connect two or more wires to each other safely and reliably.

In the industrial environment, make two wires be securely connected and easily disconnected. No need to remove and install the wires one by one to achieve the wire connections.

Full range Connectors provide highly reliable and safe industrial wiring solutions and save operating time.

| 2.50mm | | | 0288-AAXX | 0288-ADXX |
|---------------------------------|--|---|---|---|
| Technical Data | UL | IEC |  |  |
| Rated voltage | 150V | 320V |  |  |
| Rated current | 6A | 6A | | |
| Solid (AWG/mm ²) | 26~18 | 0.14~0.5 | | |
| Flexible (AWG/mm ²) | 26~18 | 0.2~0.5 | | |
| Rated impulse voltage | | 2.5kV | | |
| Wire strip length | 7~8mm | | | |
| Number of Positions | | | | |
| 02~12P | | | | |
| | | |  | |
| | | |  | |
| Comparison table | | | | |
| | 0288-1AXX | 0288-1DXX | | |
| Plug/Socket |  |  | | |
| | P.15 | P.16 | | |
| | 0288-2AXX | 0288-AAXX | 0288-ADXX | |
| |  |  |  | |
| 3.50mm | | | 0218-2GXXM0256-13 | 0218-2GXXM0256-33 |
| Technical Data | UL | IEC |  |  |
| Rated voltage | 300V | 320V | | |
| Rated current | 8A | 10A | | |
| Solid (AWG/mm ²) | 28~16 | 0.14~1.5 | | |
| Flexible (AWG/mm ²) | 28~16 | 0.14~1.5 | | |
| Rated impulse voltage | | 2.5kV | | |
| Wire strip length | 9~10mm | | | |
| Number of Positions | | | | |
| 02~24P | | | | |
| | | |  |  |

| 3.50mm | | | 0218-21XXM0256-11 | 0218-21XXM0256-21 | 0218-21XXM0256-31 |
|---------------------------------|--------|----------|---|---|---|
| Technical Data | UL | IEC |  |  |  |
| Rated voltage | 300V | 320V |  |  |  |
| Rated current | 8A | 10A | | | |
| Solid (AWG/mm ²) | 28~16 | 0.14~1.5 | | | |
| Flexible (AWG/mm ²) | 28~16 | 0.14~1.5 | | | |
| Rated impulse voltage | | 2.5kV | | | |
| Wire strip length | 9~10mm | | | | |
| Number of Positions | | | | | |
| 02~24P | | | | | |
| | | |  |  |  |
| | | |  |  |  |
| | | |  |  |  |

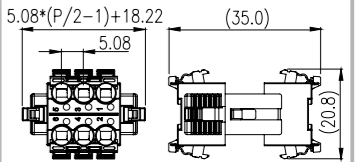
| Plug/Socket | 0218-21XX | 0218-25XX | 0218-23XX | 0218-27XX |
|-------------|-----------------------|-----------------------|-----------------------|-----------------------|
| 0256-11XX | 0218-21XXM0256-11 | 0218-25XXM0256-11 | | |
| 0256-21XX | 0218-21XXM0256-21 | 0218-25XXM0256-21 | | |
| 0256-31XX | 0218-21XXM0256-31 | 0218-25XXM0256-31 | | |
| 0256-13XX | | | 0218-23XXM0256-13 | 0218-27XXM0256-13 |
| 0256-23XX | | | 0218-23XXM0256-23 | 0218-27XXM0256-23 |
| 0256-33XX | | | 0218-23XXM0256-33 | 0218-27XXM0256-33 |
| Plug/Socket | 0218-2GXX | | | |
| 0256-13XX | 0218-2GXXM0256-13 | | | |
| 0256-33XX | 0218-2GXXM0256-33 | | | |

5.08mm

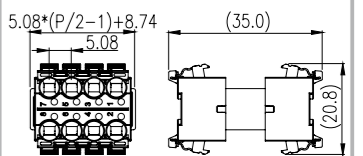
| Technical Data | UL | IEC |
|---------------------------------|-------|---------|
| Rated voltage | 300V | 320V |
| Rated current | 12A | 14A |
| Solid (AWG/mm ²) | 28-16 | 0.2-1.5 |
| Flexible (AWG/mm ²) | 28-16 | 0.2-1.5 |
| Rated impulse voltage | | 4KV |
| Wire strip length | 8-9mm | |
| Number of Positions | | |
| 04-16P | | |



0229-M5XXY



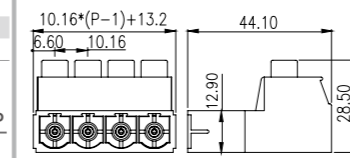
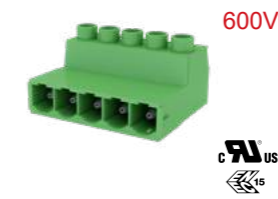
0229-M9XXY



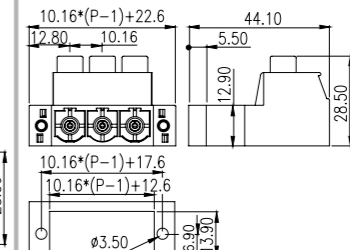
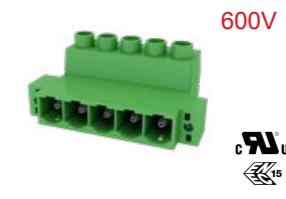
10.16mm

| Technical Data | UL | IEC |
|---------------------------------|---------|--------|
| Rated voltage | 600V | 1000V |
| Rated current | 51A | 76A |
| Rated impulse voltage | | 8KV |
| Solid (AWG/mm ²) | 16-6 | 0.5-16 |
| Flexible (AWG/mm ²) | 16-6 | 0.5-16 |
| Torque (N-m) | 1.2 | |
| Screw | M4 | |
| Wire strip length | 14-15mm | |
| Number of Positions | | |
| ECSH116MK-XXP | 02-08P | |
| ECSH116V-XXP | | |
| ECSH116K-XXP | 02-10P | |
| ECSH116M-XXP | | |
| Accessories | | |
| ECHK2 | P66 | |

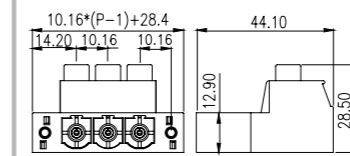
ECSH116V-XXP



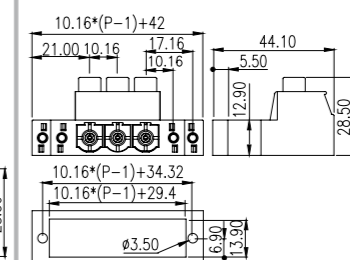
ECSH116K-XXP



ECSH116M-XXP



ECSH116MK-XXP



0187-A4XX (PID) ECSH116V-XXP

EC116V-XXP (Screw) ECSH116V-XXP

Plug

| | |
|------------|-----|
| EC116V-XXP | P65 |
| 0187-A4XX | P94 |

Please refer to the related page number for the compatible headers.

Plug

| | |
|-------------|-----|
| EC116VM-XXP | P65 |
|-------------|-----|

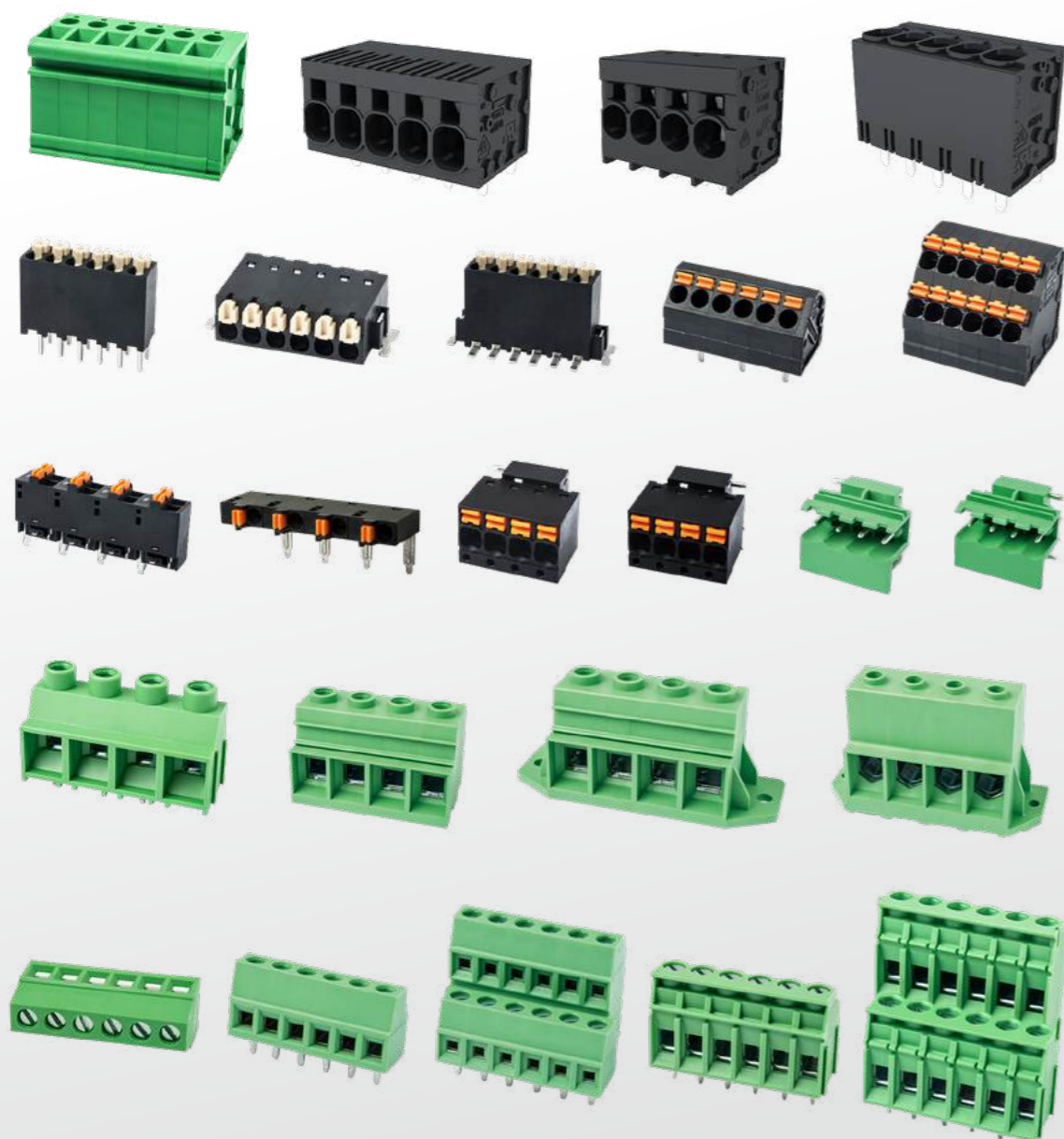
Please refer to the related page number for the compatible headers.

PCB Terminal Blocks

Dinkle PCB terminal blocks include 2.5 mm pitch miniature PCB terminals and max. 20 mm pitch terminals in both metric and imperial pitch. All product is compatible to standards UL1059 and IEC/EN60947-7-4 with safety approvals.

Provide suitable terminal blocks for your application, especially in the field of process interface, automation components and frequency converters.

Dinkle PCB terminal block products can meet your needs always. Provide you with different connection solutions for various manufacturing processes, such as push-in, Screw and spring clamp connection technologies. Makes PCB assembly efficiently and reliably.







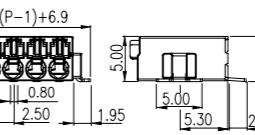
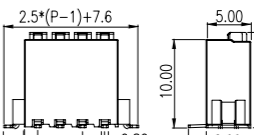

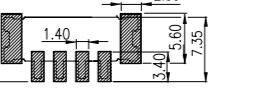
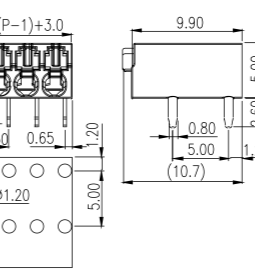
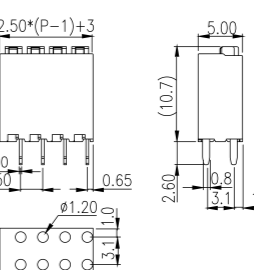

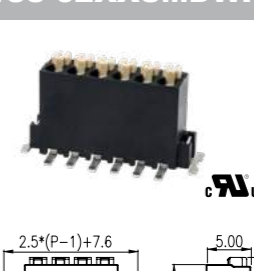
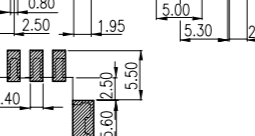
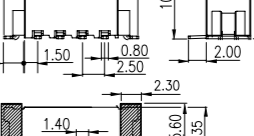


PID (Push-in Design) PCB Terminal Blocks



Connection method: Push-in connection
Pitch: 2.50mm / 2.54mm / 3.50mm / 3.81mm / 5.00mm / 5.08mm / 10.00mm
UL Rated: 150V/5A~ 600V/20A
IEC Rated: 130V/6A~ 1000V/24A

- Push-in connection single and double level PCB terminal blocks
- Horizontal, vertical and 45 degrees plug-in directions
- Versions with support pin for additional stability on PCB
- Color identification for each individual pole is available by request

The Push-in design adopts specially designed spring technology which allows fast and easy wiring free of tool. The structure is rigid, durable and takes moderate force to release the wire with a screwdriver.

| 2.50mm | | 0188-01XXL | 0188-02XXL |
|---------------------------------|---------------|---|---|
| Technical Data | UL IEC |  |  |
| Rated voltage | 150V 160V |  |  |
| Rated current | 5A 6A |  |  |
| Solid (AWG/mm ²) | 26~18 0.2~0.5 |  |  |
| Flexible (AWG/mm ²) | 26~18 0.2~0.5 | | |
| Rated impulse voltage | 2.5KV | | |
| Wire strip length | 7~8mm | | |
| Number of Positions 02~20P | | | |
| | |  |  |
| | |  |  |
| | |  |  |
| | |  |  |

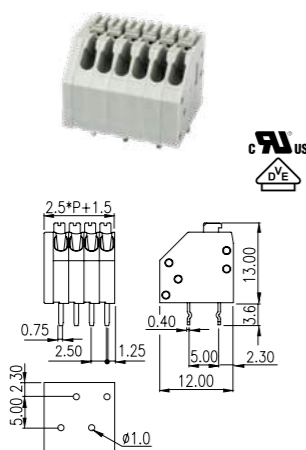
2.50mm

0136-10XX

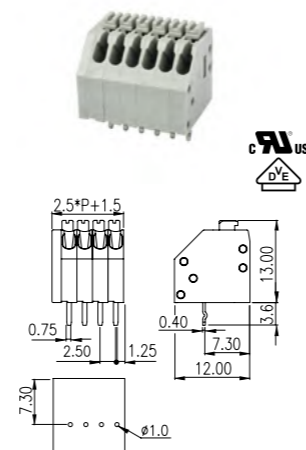
2.50mm

0136-11XX

| Technical Data | UL | IEC |
|---------------------------------|-------|---------|
| Rated voltage | 300V | 400V |
| Rated current | 2A | 2A |
| Solid (AWG/mm ²) | 28~20 | 0.2~0.5 |
| Flexible (AWG/mm ²) | 28~20 | 0.2~0.5 |
| Rated impulse voltage | 4KV | |
| Wire strip length | 8~9mm | |
| Number of Positions | | |
| 02~24P | | |



| Technical Data | UL | IEC |
|---------------------------------|-------|---------|
| Rated voltage | 150V | 250V |
| Rated current | 2A | 2A |
| Solid (AWG/mm ²) | 28~20 | 0.2~0.5 |
| Flexible (AWG/mm ²) | | 0.2~0.5 |
| Rated impulse voltage | 2.5KV | |
| Wire strip length | 8~9mm | |
| Number of Positions | | |
| 0136-11XX 02~24P | | |

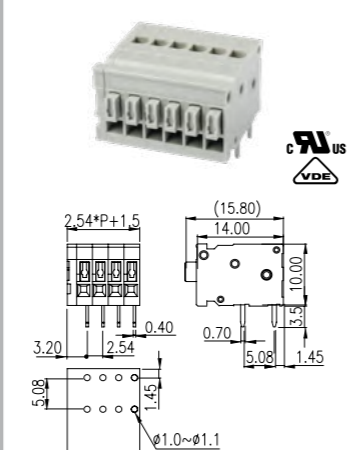
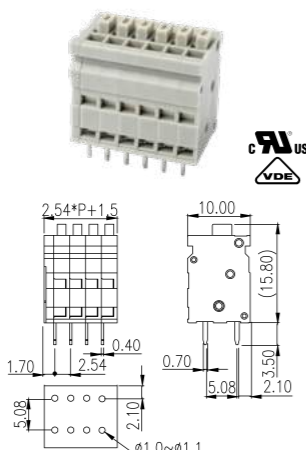


2.54mm

0138-10XX

0138-11XX

| Technical Data | UL | IEC |
|---------------------------------|---------|---------|
| Rated voltage | 150V | 130V |
| Rated current | 5A | 6A |
| Solid (AWG/mm ²) | 28~20 | 0.2~0.5 |
| Flexible (AWG/mm ²) | 28~20 | 0.2~0.5 |
| Rated impulse voltage | 2.5KV | |
| Wire strip length | 10~11mm | |
| Number of Positions | | |
| 02~24P | | |

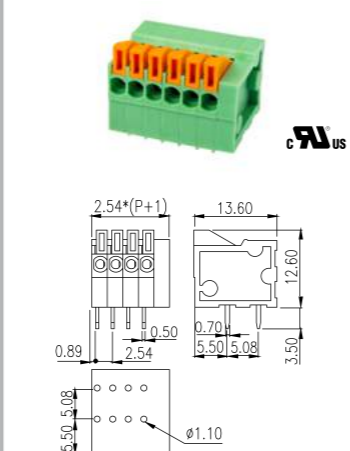
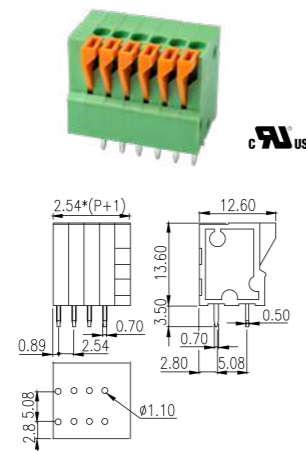


2.54mm

141V-XXP

141R-XXP

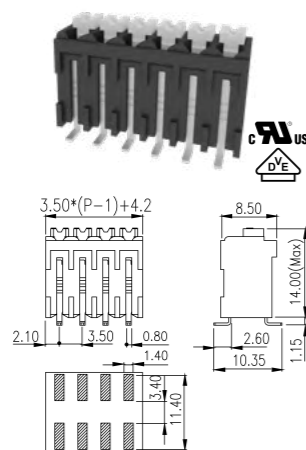
| Technical Data | UL | IEC |
|---------------------------------|---------|---------|
| Rated voltage | 150V | 160V |
| Rated current | 5A | 6A |
| Solid (AWG/mm ²) | 26~20 | 0.2~0.5 |
| Flexible (AWG/mm ²) | 26~20 | 0.2~0.5 |
| Rated impulse voltage | 2.5KV | |
| Wire strip length | 10~11mm | |
| Number of Positions | | |
| 141V-XXP 01~24P | | |
| 141R-XXP 01~32P | | |



3.50mm

0138-50XXSMDWR

| Technical Data | UL | IEC |
|---------------------------------|-------|----------|
| Rated voltage | 300V | 160V |
| Rated current | 12A | 17.5A |
| Solid (AWG/mm ²) | 28~16 | 0.14~1.5 |
| Flexible (AWG/mm ²) | 28~16 | 0.14~1.5 |
| Rated impulse voltage | 2.5KV | |
| Wire strip length | 8~9mm | |
| Number of Positions | | |
| 02~06P | | |

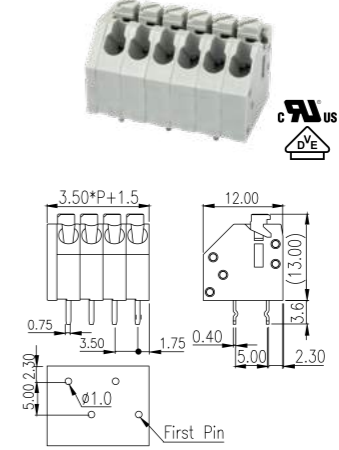
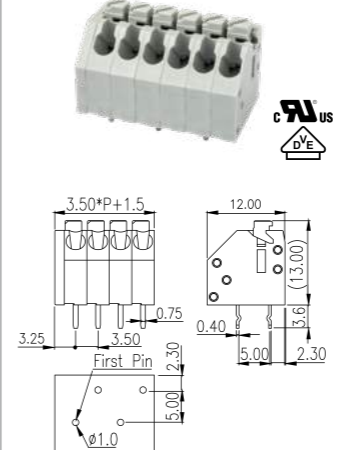


3.50mm

0136-20XX

0136-23XX

| Technical Data | UL | IEC |
|---------------------------------|-------|---------|
| Rated voltage | 300V | 400V |
| Rated current | 6A | 10A |
| Solid (AWG/mm ²) | 28~16 | 0.2~1.5 |
| Flexible (AWG/mm ²) | | 0.2~1.5 |
| Rated impulse voltage | 4KV | |
| Wire strip length | 8~9mm | |
| Number of Positions | | |
| 02~24P | | |

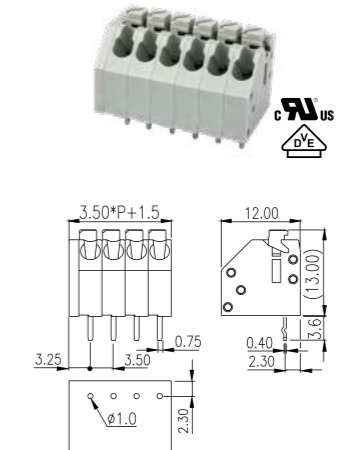
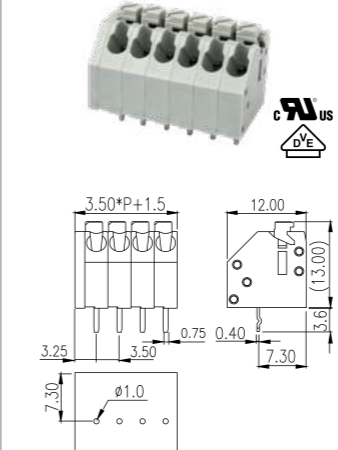


3.50mm

0136-21XX

0136-22XX

| Technical Data | UL | IEC |
|---------------------------------|-------|---------|
| Rated voltage | 300V | 400V |
| Rated current | 6A | 10A |
| Solid (AWG/mm ²) | 28~16 | 0.2~1.5 |
| Flexible (AWG/mm ²) | | 0.2~1.5 |
| Rated impulse voltage | 4KV | |
| Wire strip length | 8~9mm | |
| Number of Positions | | |
| 02~24P | | |

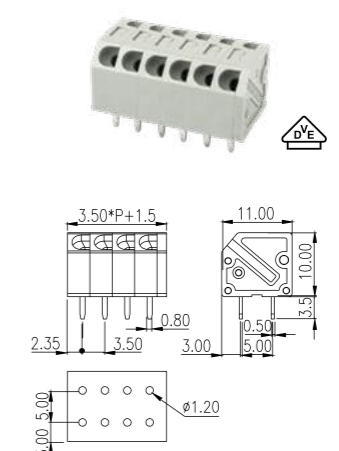
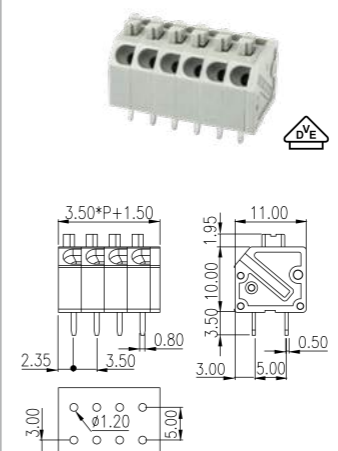


3.50mm

0137-40XX

0137-41XX

| Technical Data | UL | IEC |
|---------------------------------|--------|---------|
| Rated voltage | 300V | 160V |
| Rated current | 5A | 17.5A |
| Solid (AWG/mm ²) | 26~16 | 0.2~1.5 |
| Flexible (AWG/mm ²) | 24~20 | 0.2~1.5 |
| Rated impulse voltage | 2.5KV | |
| Wire strip length | 9~10mm | |
| Number of Positions | | |
| 02~24P | | |

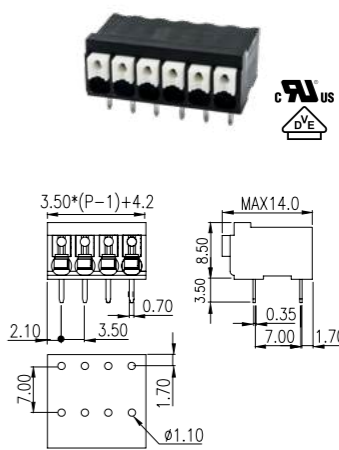
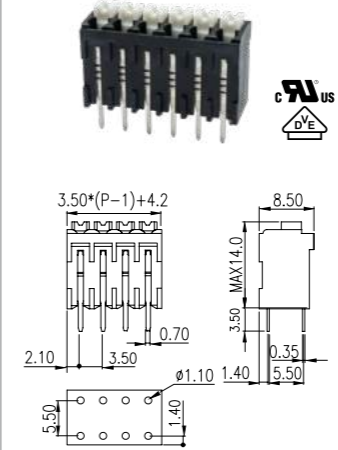


3.50mm

0138-50XX 0138-50XXL

0138-51XX 0138-51XXL

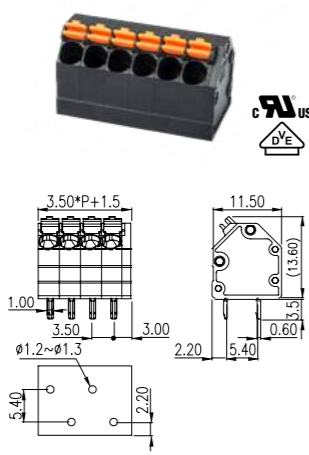
| Technical Data | UL | IEC |
|---------------------------------|-------|---------|
| Rated voltage | 300V | 160V |
| Rated current | 12A | 17.5A |
| Solid (AWG/mm ²) | 28~16 | 0.2~1.5 |
| Flexible (AWG/mm ²) | 28~16 | 0.2~1.5 |
| Rated impulse voltage | 2.5KV | |
| Wire strip length | 8~9mm | |
| Number of Positions | | |
| 02~24P | | |



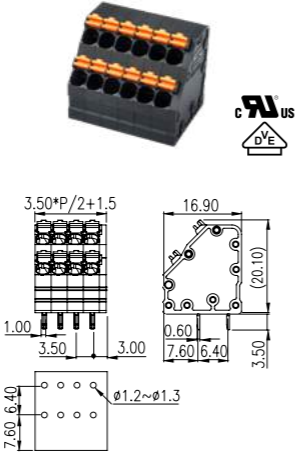
3.50mm

0151-01XX (0151-01XXL)

| Technical Data | UL | IEC |
|---------------------------------|--------|---------|
| Rated voltage | 300V | 320V |
| 0151-01XX | 300V | 160V |
| 0151-02XX | 300V | 160V |
| Rated current | 9A | 14A |
| Solid (AWG/mm ²) | 28~16 | 0.2~1.5 |
| Flexible (AWG/mm ²) | 28~16 | 0.2~1.5 |
| Rated impulse voltage | 4KV | |
| Wire strip length | 9~10mm | |
| Number of Positions | | |
| 0151-01XX | 02~24P | |
| 0151-01XXL | | |
| 0151-02XX | 04~48P | |
| 0151-02XXL | | |



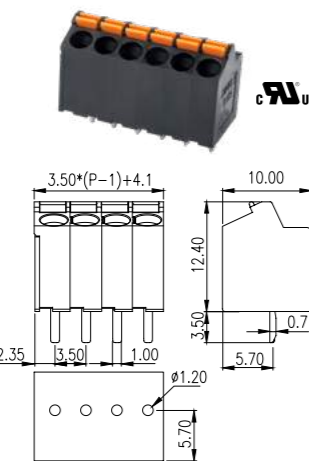
0151-02XX (0151-02XXL)



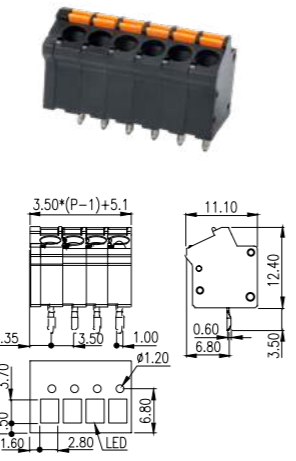
3.50mm

0185-13XX

| Technical Data | UL | IEC |
|---------------------------------|-------|---------|
| Rated voltage | 300V | 200V |
| Rated current | 10A | 14A |
| Solid (AWG/mm ²) | 26~16 | 0.2~1.5 |
| Flexible (AWG/mm ²) | 26~16 | 0.2~1.5 |
| Rated impulse voltage | 2.5KV | |
| Wire strip length | 8~9mm | |
| Number of Positions | | |
| 02~24P | | |



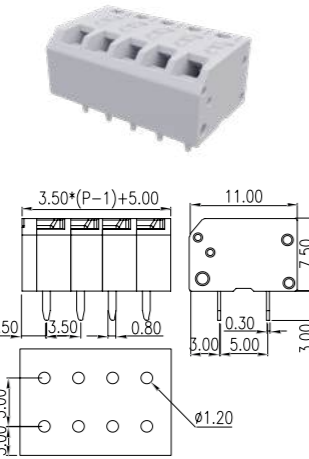
0185-12XX



3.50mm

0137-41XXM

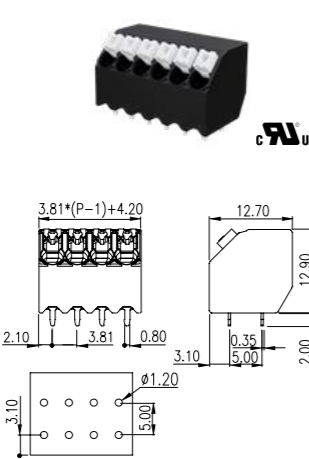
| Technical Data | UL | IEC |
|---------------------------------|-------|----------|
| Rated voltage | 300V | 250V |
| Rated current | 5A | 9A |
| Solid (AWG/mm ²) | 24~18 | 0.2~0.75 |
| Flexible (AWG/mm ²) | 24~18 | 0.2~0.75 |
| Rated impulse voltage | 2.5KV | |
| Wire strip length | 7~8mm | |
| Number of Positions | | |
| 02~20P | | |



3.81mm

0138-42XXL20

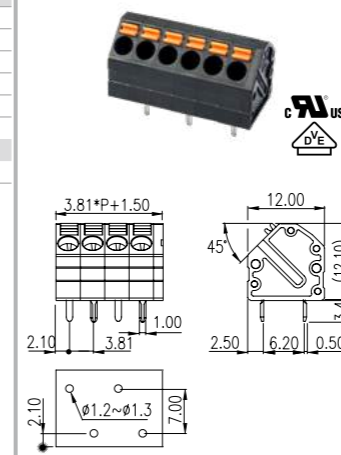
| Technical Data | UL | IEC |
|---------------------------------|-------|---------|
| Rated voltage | 300V | 160V |
| Rated current | 12A | 17.5A |
| Solid (AWG/mm ²) | 28~14 | 0.2~1.5 |
| Flexible (AWG/mm ²) | 28~14 | 0.2~1.5 |
| Rated impulse voltage | 2.5KV | |
| Wire strip length | 8~9mm | |
| Number of Positions | | |
| 02~24P | | |



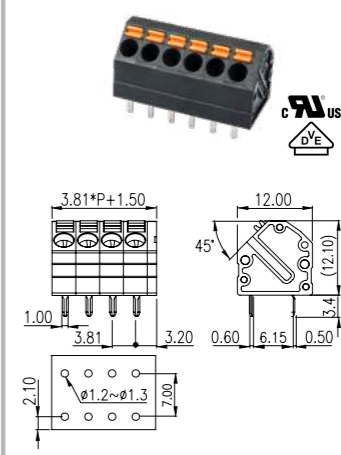
3.81mm

0141-01XX

| Technical Data | UL | IEC |
|---------------------------------|--------|---------|
| Rated voltage | 300V | 320V |
| Rated current | 10A | 10A |
| Solid (AWG/mm ²) | 26~16 | 0.2~1.5 |
| Flexible (AWG/mm ²) | 26~16 | 0.2~1.5 |
| Rated impulse voltage | 4KV | |
| Wire strip length | 9~10mm | |
| Number of Positions | | |
| 02~24P | | |



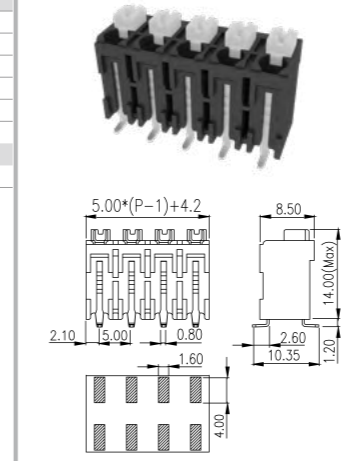
0141-22XX



5.00mm

0188-12XXSMDWR

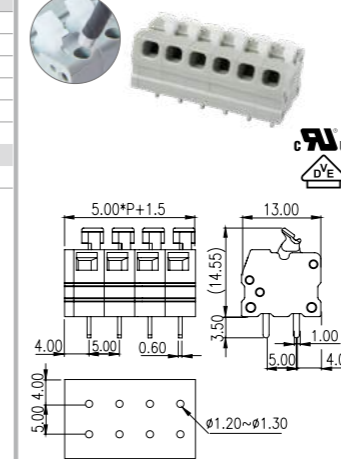
| Technical Data | UL | IEC |
|---------------------------------|-------|---------|
| Rated voltage | 300V | 320V |
| Rated current | 10A | 13.5A |
| Solid (AWG/mm ²) | 28~16 | 0.2~1.5 |
| Flexible (AWG/mm ²) | 28~16 | 0.2~1.5 |
| Rated impulse voltage | 4KV | |
| Wire strip length | 8~9mm | |
| Number of Positions | | |
| 02~08P | | |



5.00mm

0137-11XX

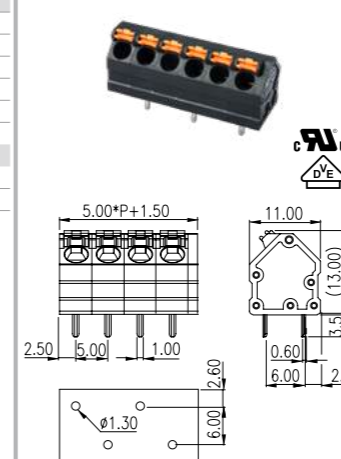
| Technical Data | UL | IEC |
|---------------------------------|--------|---------|
| Rated voltage | 300V | 320V |
| Rated current | 10A | 17.5A |
| Solid (AWG/mm ²) | 26~14 | 0.2~1.5 |
| Flexible (AWG/mm ²) | 26~16 | 0.2~1.5 |
| Rated impulse voltage | 4KV | |
| Wire strip length | 9~10mm | |
| Number of Positions | | |
| 02~24P | | |



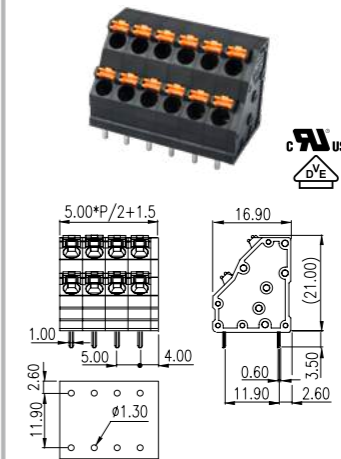
5.00mm

0152-01XX

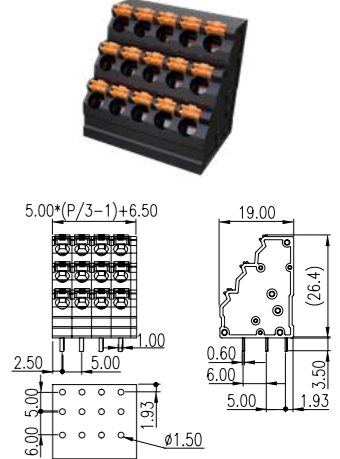
| Technical Data | UL | IEC |
|---------------------------------|-------|---------|
| Rated voltage | 300V | 320V |
| Rated current | 10A | 17.5A |
| Solid (AWG/mm ²) | 28~16 | 0.2~1.5 |
| Flexible (AWG/mm ²) | 28~16 | 0.2~1.5 |
| Rated impulse voltage | 4KV | |
| Wire strip length | 8~9mm | |
| Number of Positions | | |
| 0152-01XX 02~24P | | |
| 0152-02XX 04~48P | | |



0152-02XX



0152-03XX



5.00mm

| Technical Data | UL | IEC |
|---------------------------------|--------|---------|
| Rated voltage | 300V | 320V |
| Rated current | 10A | 14A |
| Solid (AWG/mm ²) | 26~16 | 0.2~1.5 |
| Flexible (AWG/mm ²) | 26~16 | 0.2~1.5 |
| Rated impulse voltage | 4KV | |
| Wire strip length | 8~9mm | |
| Number of Positions | | |
| 0185-31XX | 02~24P | |
| 0185-32XX | 02~20P | |

0185-31XX

0185-32XX

5.00mm

| Technical Data | UL | IEC |
|---------------------------------|---------|---------|
| Rated voltage | 300V | 320V |
| Rated current | 10A | 17.5A |
| Solid (AWG/mm ²) | 26~14 | 0.2~1.5 |
| Flexible (AWG/mm ²) | 26~16 | 0.2~1.5 |
| Rated impulse voltage | 4KV | |
| Wire strip length | 10~11mm | |
| Number of Positions | | |
| 02~24P | | |

0138-70XX

0138-76XX

5.00mm

| Technical Data | UL | IEC |
|---------------------------------|---------|---------|
| Rated voltage | 300V | 320V |
| Rated current | 20A | 24A |
| Solid (AWG/mm ²) | 24~12 | 0.2~2.5 |
| Flexible (AWG/mm ²) | 24~12 | 0.2~2.5 |
| Rated impulse voltage | 4KV | |
| Wire strip length | 12~14mm | |
| Number of Positions | | |
| 0153-01XX | 02~24P | |
| 0153-91XX | 04~48P | |

0153-01XX

0153-91XX

0153-02XX

5.08mm

| Technical Data | UL | IEC |
|---------------------------------|--------|---------|
| Rated voltage | 300V | 450V |
| Rated current | 10A | 17.5A |
| Solid (AWG/mm ²) | 22~14 | 0.5~1.5 |
| Flexible (AWG/mm ²) | 22~14 | 0.5~1.5 |
| Rated impulse voltage | 4KV | |
| Wire strip length | 9~10mm | |
| Number of Positions | | |
| 02~24P | | |

142V-XXP

142R-XXP

5.08mm

| Technical Data | UL | IEC |
|---------------------------------|--------|---------|
| Rated voltage | 300V | 320V |
| Rated current | 12A | 17.5A |
| Solid (AWG/mm ²) | 28~14 | 0.2~1.5 |
| Flexible (AWG/mm ²) | 28~14 | 0.2~1.5 |
| Rated impulse voltage | 4KV | |
| Wire strip length | 8~9mm | |
| Number of Positions | | |
| 0138-61XX | 02~16P | |
| 0138-60XX | 02~18P | |
| 0138-60XXL | 02~24P | |
| 0138-61XXL | 02~24P | |

0138-60XX 0138-60XXL

0138-61XX 0138-61XXL

5.08mm

| Technical Data | UL | IEC |
|---------------------------------|--------|---------|
| Rated voltage | 300V | 320V |
| Rated current | 10A | 10A |
| Solid (AWG/mm ²) | 26~16 | 0.2~1.5 |
| Flexible (AWG/mm ²) | 26~16 | 0.2~1.5 |
| Rated impulse voltage | 4KV | |
| Wire strip length | 9~10mm | |
| Number of Positions | | |
| 02~24P | | |

0141-21XX

0141-24XX

7.50mm

| Technical Data | UL | IEC |
|---------------------------------|---------|---------|
| Rated voltage | 300V | 320V |
| Rated current | 10A | 17.5A |
| Solid (AWG/mm ²) | 26~14 | 0.2~1.5 |
| Flexible (AWG/mm ²) | 0.2~1.5 | |
| Rated impulse voltage | 4KV | |
| Wire strip length | 8~9mm | |
| Number of Positions | | |
| 06~33P | | |

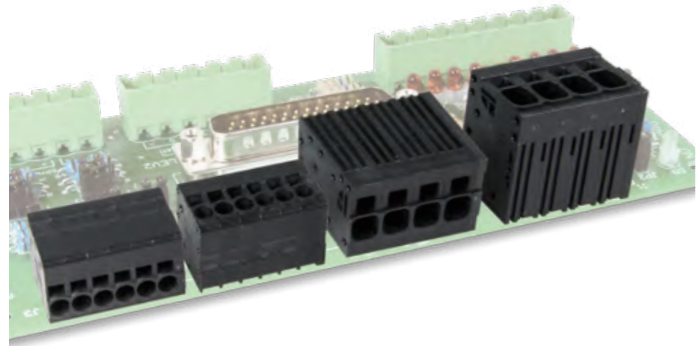
0152-53XX

10.00mm

| Technical Data | UL | IEC |
|---------------------------------|---------|---------|
| Rated voltage | 600V | 1000V |
| Rated current | 20A | 24A |
| Solid (AWG/mm ²) | 24~12 | 0.2~2.5 |
| Flexible (AWG/mm ²) | 24~12 | 0.2~2.5 |
| Rated impulse voltage | 8KV | |
| Wire strip length | 12~14mm | |
| Number of Positions | | |
| 02~12P | | |

0153-41XX

Front Entry PID Terminal Blocks



Connection method: Push-in connection
Pitch: 3.50mm / 5.00mm / 6.35mm / 7.50mm / 10.00mm / 15.00mm
UL Rated: 300V / 10A ~ 600V / 101A
IEC Rated: 320V / 17.5A ~ 1000V / 125A

- 2 pins on each pole for excellent stability on PCB
- Versions with horizontal and vertical wire entry direction
- For stranded wire connection without ferrules, the clamp shall be opened by a screwdriver

3.50mm 0177-31XX

| Technical Data | UL | IEC |
|---------------------------------|--------|---------|
| Rated voltage | 300V | 320V |
| Rated current | 10A | 17.5A |
| Solid (AWG/mm ²) | 26~16 | 0.2~1.5 |
| Flexible (AWG/mm ²) | 26~16 | 0.2~1.5 |
| Rated impulse voltage | 2.5KV | |
| Wire strip length | 9~10mm | |

Number of Positions: 02~24P

0177-33XX

5.00mm 0177-51XX

| Technical Data | UL | IEC |
|---------------------------------|--------|---------|
| Rated voltage | 300V | 320V |
| Rated current | 20A | 24A |
| Solid (AWG/mm ²) | 26~12 | 0.2~2.5 |
| Flexible (AWG/mm ²) | 26~12 | 0.2~2.5 |
| Rated impulse voltage | 4KV | |
| Wire strip length | 9~10mm | |

Number of Positions: 02~24P

6.35mm 0177-53XX

6.35mm 0177-76XX 600V

7.50mm 0177-81XX

| Technical Data | UL | IEC |
|---------------------------------|------|--------|
| Rated voltage | 300V | 630V |
| Rated current | 36A | 41A |
| Solid (AWG/mm ²) | 24~8 | 0.2~10 |
| Flexible (AWG/mm ²) | 24~8 | 0.2~6 |
| Rated impulse voltage | 6KV | |
| Wire strip length | 15mm | |

Number of Positions: 02~16P

7.50mm 0177-83XX

7.50mm 0177-86XX

| Technical Data | UL | IEC |
|---------------------------------|---------|--------|
| Rated voltage | 600V | 1000V |
| Rated current | 36A | 41A |
| Solid (AWG/mm ²) | 24~8 | 0.2~10 |
| Flexible (AWG/mm ²) | 24~8 | 0.2~6 |
| Rated impulse voltage | 8KV | |
| Wire strip length | 15~16mm | |

Number of Positions: 02~16P

7.50mm 0177-88XX

10.00mm 0177-06XX 600V

| Technical Data | UL | IEC |
|---------------------------------|---------|---------|
| Rated voltage | 600V | 1000V |
| Rated current | 66A | 76A |
| Solid (AWG/mm ²) | 20~4 | 0.75~16 |
| Flexible (AWG/mm ²) | 20~4 | 0.75~16 |
| Rated impulse voltage | 8KV | |
| Wire strip length | 18~20mm | |

Number of Positions: 02~12P

10.00mm 0177-08XX 600V

10.00mm 0177-03XX

15.00mm 0177-08XX 600V

15.00mm 0177-B3XX 600V

15.00mm 0177-08XX 600V

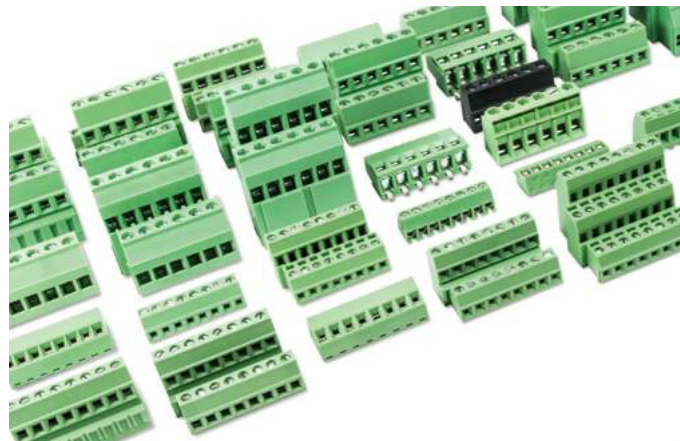
15.00mm 0177-B3XX 600V

15.00mm 0177-08XX 600V

15.00mm 0177-B3XX 600V

15.00mm 0177-B3XX 600V

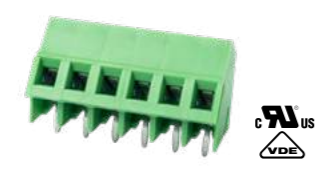

















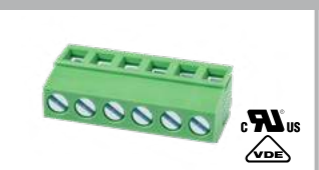

Screw Connection PCB Terminal Blocks



Connection method: Screw connection
Pitch: 2.54mm / 3.50mm / 3.81mm /
5.00mm / 6.35mm / 7.50mm /
9.52mm / 10.10mm / 15.00mm /
17.50mm / 20.00mm
UL Rated: 150V / 10A ~ 600V / 200A
IEC Rated: 160V / 8A ~ 1000V / 232A

- Versions with single, double and triple-level PCB terminal blocks
- Horizontal, vertical and 45 degrees wire entry directions
- Space saving and finger-safe housing design
- Special markings on the housing for identification are available by request

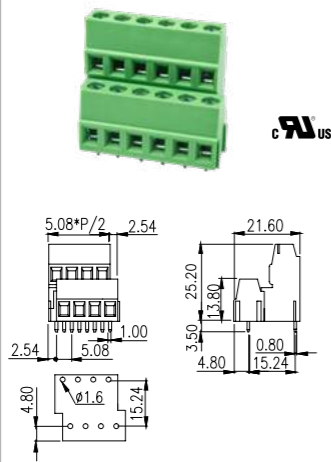
| 3.50mm | | EK350V-XXP | | EK350A-XXP | | 3.50mm | | EK350V4L-XXP | | | | | | | |
|-----------------------|-------|--------------|---------------------|---------------------|-----------------------|---------------------|---------------------|--------------|---------------------|---------------------|--|---------------------|--|-------------|--|
| Technical Data | UL | IEC | | | Technical Data | UL | IEC | | | | | | | | |
| Rated voltage | 300V | 130V | | | Rated voltage | 300V | 130V | | | | | | | | |
| Rated current | 10A | 12A | | | Rated current | 10A | 10A | | | | | | | | |
| Solid (AWG/mm²) | 30~16 | 0.14~1.5 | | | Solid (AWG/mm²) | 30~16 | 0.2~1.5 | | | | | | | | |
| Flexible (AWG/mm²) | 30~16 | 0.14~1.5 | | | Flexible (AWG/mm²) | 30~16 | 0.2~1.5 | | | | | | | | |
| Rated impulse voltage | | 2.5KV | | | Rated impulse voltage | | 2.5KV | | | | | | | | |
| Torque (N-m) | | 0.2~0.25 | | | Torque (N-m) | | 0.2~0.25 | | | | | | | | |
| Screw | | M2 | | | Screw | | M2 | | | | | | | | |
| Wire strip length | | 5~6mm | | | Wire strip length | | 5~6mm | | | | | | | | |
| Number of Positions | | | | | Number of Positions | | | | | | | | | | |
| 02~24P | | | | | 04~40P | | | | | | | | | | |
| 3.81mm | | EK381V-XXP | | EK381A-XXP | | EEK381V-XXP | | E3K381V-XXP | | EHK381V-XXP | | | | | |
| Technical Data | UL | IEC | | | | | | | | | | | | | |
| Rated voltage | 300V | 250V | | | | | | | | | | | | | |
| Rated current | 12A | 12A | | | | | | | | | | | | | |
| Solid (AWG/mm²) | 30~16 | 0.5~1.5 | | | | | | | | | | | | | |
| Flexible (AWG/mm²) | 30~16 | 0.5~1.5 | | | | | | | | | | | | | |
| Rated impulse voltage | | 2.5KV | | | | | | | | | | | | | |
| Torque (N-m) | | 0.2~0.25 | | | | | | | | | | | | | |
| Screw | | M2 | | | | | | | | | | | | | |
| Wire strip length | | 5~6mm | | | | | | | | | | | | | |
| Number of Positions | | | | | Number of Positions | | | | | Number of Positions | | | | | |
| 02~16P | | | | | 02~24P | | | | | 02~24P | | | | | |
| EK381V-XXP | | | | | E3K381V-XXP | | | | | E3K381V-XXP | | | | | |
| EK381A-XXP | | | | | EEK381V-XXP | | | | | E3K381V-XXP | | | | | |
| E3K381V-XXP | | | | | E3K381V-XXP | | | | | E3K381V-XXP | | | | | |
| E3K381V-XXP | | | | | E3K381V-XXP | | | | | E3K381V-XXP | | | | | |
| E3K381V-XXP | | | | | E3K381V-XXP | | | | | E3K381V-XXP | | | | | |
| E3K381V-XXP | | | | | E3K381V-XXP | | | | | E3K381V-XXP | | | | | |
| 2.54mm | | EK254V-XXP | | 3.81mm | | ESK381V-XXP | | ESK381R-XXP | | EESK381V-XXP | | ESK381V4L-XXP | | | |
| Technical Data | UL | IEC | | | | | | | | | | | | | |
| Rated voltage | 150V | 160V | | | | | | | | | | | | | |
| Rated current | 10A | 8A | | | | | | | | | | | | | |
| Solid (AWG/mm²) | 28~16 | 0.2~1.5 | | | | | | | | | | | | | |
| Flexible (AWG/mm²) | 28~16 | 0.2~1.5 | | | | | | | | | | | | | |
| Rated impulse voltage | | 2.5KV | | | | | | | | | | | | | |
| Torque (N-m) | | 0.2 | | | | | | | | | | | | | |
| Screw | | M1.6 | | | | | | | | | | | | | |
| Wire strip length | | 4~5mm | | | | | | | | | | | | | |
| Number of Positions | | | | Number of Positions | | | Number of Positions | | | Number of Positions | | | | | |
| 02~16P | | | | 02~24P | | | 02~24P | | | 02~24P | | | | | |
| E3K381V-XXP | | | | E3K381V-XXP | | | E3K381V-XXP | | | E3K381V-XXP | | | | | |
| E3K381V-XXP | | | | E3K381V-XXP | | | E3K381V-XXP | | | E3K381V-XXP | | | | | |
| E3K381V-XXP | | | | E3K381V-XXP | | | E3K381V-XXP | | | E3K381V-XXP | | | | | |
| E3K381V-XXP | | | | E3K381V-XXP | | | E3K381V-XXP | | | E3K381V-XXP | | | | | |
| E3K381V-XXP | | | | E3K381V-XXP | | | E3K381V-XXP | | | E3K381V-XXP | | | | | |
| 3.81mm | | EK381V4L-XXP | | EK381V3L-XXP | | 5.00mm | | ELK500V-XXP | | ELK500S-XXP | | 5.00mm | | ELK500B-XXP | |
| Technical Data | UL | IEC | | | | | | | | | | | | | |
| Rated voltage | 300V | 250V | | | | | | | | | | | | | |
| Rated current | 12A | 12A | | | | | | | | | | | | | |
| Solid (AWG/mm²) | 30~16 | 0.5~1.5 | | | | | | | | | | | | | |
| Flexible (AWG/mm²) | 30~16 | 0.5~1.5 | | | | | | | | | | | | | |
| Rated impulse voltage | | 2.5KV | | | | | | | | | | | | | |
| Torque (N-m) | | 0.2~0.25 | | | | | | | | | | | | | |
| Screw | | M2 | | | | | | | | | | | | | |
| Wire strip length | | 5~6mm | | | | | | | | | | | | | |
| Number of Positions | | | Number of Positions | | | Number of Positions | | | Number of Positions | | | Number of Positions | | | |
| 04~48P | | | 06~72P | | | 02~24P | | | 02~24P | | | 02~24P | | | |
| EK381V4L-XXP | | | EK381V3L-XXP | | | ELK500V-XXP | | | ELK500S-XXP | | | ELK500B-XXP | | | |
| EK381V3L-XXP | | | ELK500V-XXP | | | ELK500S-XXP | | | ELK500B-XXP | | | ELK500B-XXP | | | |
| EK381V3L-XXP | | | ELK500V-XXP | | | ELK500S-XXP | | | ELK500B-XXP | | | ELK500B-XXP | | | |
| EK381V3L-XXP | | | ELK500V-XXP | | | ELK500S-XXP | | | ELK500B-XXP | | | ELK500B-XXP | | | |
| EK381V3L-XXP | | | ELK500V-XXP | | | ELK500S-XXP | | | ELK500B-XXP | | | ELK500B-XXP | | | |
| EK381V3L-XXP | | | ELK500V-XXP | | | ELK500S-XXP | | | ELK500B-XXP | | | ELK500B-XXP | | | |

| 5.00mm | | | EK500A-XXP | | | EK500V-XXP | | | EK500R-XXP | | | 5.00mm | | | EK500V4L-XXP | | | EK500V2L-XXP | | | EK500V3L-XXP | | |
|--|--|--|--|--|--|---|--|--|---|--|--|--|--|--|---|--|--|--|--|--|--|--|--|
| Technical Data Rated voltage: 300V Rated current: 20A Solid (AWG/mm ²): 24~12 Flexible (AWG/mm ²): 0.5~2.5 Rated impulse voltage: 4KV Torque (N-m): 0.4~0.5 Screw: M2.5 Wire strip length: 6~7mm Number of Positions: 02~24P | | |  | | |  | | |  | | | Technical Data Rated voltage: 300V Rated current: 20A Solid (AWG/mm ²): 24~12 Flexible (AWG/mm ²): 0.5~2.5 Rated impulse voltage: 4KV Torque (N-m): 0.4~0.5 Screw: M2.5 Wire strip length: 6~7mm Number of Positions: 04~60P EK500V4L-XXP: 04~60P EK500V2L-XXP: 04~20P EK500V3L-XXP: 06~72P | | |  | | |  | | |  | | |
| Technical Data Rated voltage: 300V Rated current: 20A Solid (AWG/mm ²): 24~12 Flexible (AWG/mm ²): 0.5~2.5 Rated impulse voltage: 4KV Torque (N-m): 0.4~0.5 Screw: M2.5 Wire strip length: 6~7mm Number of Positions: 02~24P | | | E3K500V-XXP  | | | EEK500V-XXP  | | | 5.00mm Technical Data Rated voltage: 300V Rated current: 25A Solid (AWG/mm ²): 24~12 Flexible (AWG/mm ²): 0.2~2.5 Rated impulse voltage: 4KV Torque (N-m): 0.4~0.5 Screw: M2.5 Wire strip length: 7~8mm Number of Positions: 02~24P | | | EHK5V-XXP  | | | 5.00mm Technical Data Rated voltage: 300V Rated current: 25A Solid (AWG/mm ²): 24~12 Flexible (AWG/mm ²): 0.5~2.5 Rated impulse voltage: 4KV Torque (N-m): 0.4~0.5 Screw: M2.5 Wire strip length: 6~7mm Number of Positions: 02~24P EHK500R-XXP: 25A E2HK500V-XXPAM: 20A Solid (AWG/mm ²): 24~12 Flexible (AWG/mm ²): 24~12 Rated impulse voltage: 4KV Torque (N-m): 0.4~0.5 Screw: M2.5 Wire strip length: 6~7mm Number of Positions: 02~24P EHK500R-XXP: 02~24P E2HK500V-XXPAM: 02~16P | | | EHK500R-XXP  | | | E2HK500V-XXPAM  | | |
| 5.00mm Technical Data Rated voltage: 300V Rated current: 20A Solid (AWG/mm ²): 24~12 Flexible (AWG/mm ²): 0.2~2.5 Rated impulse voltage: 4KV Torque (N-m): 0.4~0.5 Screw: M2.5 Wire strip length: 6~7mm Number of Positions: 06~72P | | | EHK5V3L-XXP  | | | 5.08mm Technical Data Rated voltage: 300V Rated current: 13.5A Solid (AWG/mm ²): 30~16 Flexible (AWG/mm ²): 0.5~1.5 Rated impulse voltage: 4KV Torque (N-m): 0.4~0.5 Screw: M2.5 Wire strip length: 5~6mm Number of Positions: 02~24P | | | ELK508V-XXP  | | | 5.08mm Technical Data Rated voltage: 300V Rated current: 13.5A Solid (AWG/mm ²): 30~14 Flexible (AWG/mm ²): 0.14~1.5 Rated impulse voltage: 4KV Torque (N-m): 0.4~0.5 Screw: M2.5 Wire strip length: 5~6mm Number of Positions: 02~24P | | | ELK508S-XXP  | | | 5.08mm Technical Data Rated voltage: 300V Rated current: 13.5A Solid (AWG/mm ²): 30~14 Flexible (AWG/mm ²): 0.14~1.5 Rated impulse voltage: 4KV Torque (N-m): 0.4~0.5 Screw: M2.5 Wire strip length: 6~7mm Number of Positions: 02~24P | | | E2LK508V-XXP  | | |
| 5.08mm Technical Data Rated voltage: 300V Rated current: 13.5A Solid (AWG/mm ²): 26~16 Flexible (AWG/mm ²): 0.5~1.5 Rated impulse voltage: 4KV Torque (N-m): 0.4~0.5 Screw: M2.5 Wire strip length: 6~7mm Number of Positions: 04~32P EELK508V-XXP: 04~32P ELK508V3L-XXP: 06~48P | | | EELK508V-XXP  | | | ELK508V3L-XXP  | | | 5.08mm Technical Data Rated voltage: 300V Rated current: 20A Solid (AWG/mm ²): 24~12 Flexible (AWG/mm ²): 0.5~2.5 Rated impulse voltage: 4KV Torque (N-m): 0.4~0.5 Screw: M2.5 Wire strip length: 6~7mm Number of Positions: 02~24P EK508V-XXP: 24~12 EK508R-XXP: 0.14~2.5 EK508A-XXP: 0.14~2.5 Rated impulse voltage: 4KV Torque (N-m): 0.4~0.5 Screw: M2.5 Wire strip length: 6~7mm Number of Positions: 02~24P EK508V-XXP: 6~7mm EK508R-XXP: 7~8mm EK508A-XXP: 02~25P | | | EK508V-XXP  | | | EK508R-XXP  | | | EK508A-XXP  | | | | | |

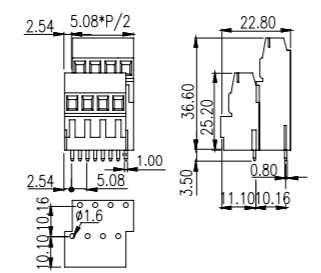
5.08mm

| Technical Data | UL | IEC |
|---------------------------------|---------|---------|
| Rated voltage | 300V | 320V |
| Rated current | 20A | 24A |
| Solid (AWG/mm ²) | 24-12 | 0.5-2.5 |
| Flexible (AWG/mm ²) | 24-12 | 0.5-2.5 |
| Rated impulse voltage | 4KV | |
| Torque (N-m) | 0.4-0.5 | |
| Screw | M2.5 | |
| Wire strip length | 6-7mm | |

| Number of Positions | | |
|---------------------|----------------------|--|
| EK508V4L-XXP | 04~70P | |
| EK508V2L-XXP | 04~36P | |
| EK508V3L-XXP | 06P, 09P...up to 72P | |
| E3K508V-XXP | 02P, 03P...up to 24P | |
| EEK508V-XXP | 02~15P | |



EK508V2L-XXP



E3K508V-XXP



EEK508V-XXP



| Technical Data | UL | IEC |
|---------------------------------|---------|---------|
| Rated voltage | 300V | 250V |
| Rated current | 23A | 24A |
| Solid (AWG/mm ²) | 26-12 | 0.5-2.5 |
| Flexible (AWG/mm ²) | 26-12 | 0.5-2.5 |
| Rated impulse voltage | 4KV | |
| Torque (N-m) | 0.5-0.6 | |
| Screw | M3 | |
| Wire strip length | 7-8mm | |

| Number of Positions | | |
|---------------------|--|--|
| 02~24P | | |

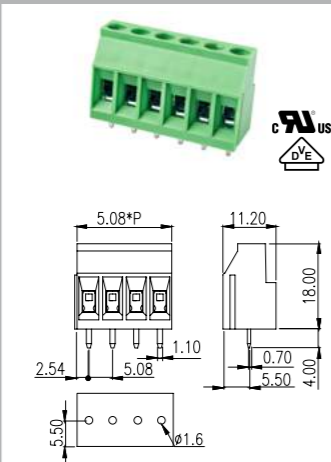
ESK508V-XXP



5.08mm

| Technical Data | UL | IEC |
|---------------------------------|---------|---------|
| Rated voltage | 300V | 300V |
| Rated current | 300V | 250V |
| Rated current | 25A | 24A |
| Solid (AWG/mm ²) | 24-12 | 0.2-4 |
| Flexible (AWG/mm ²) | 24-12 | 0.5-2.5 |
| Rated impulse voltage | 4KV | |
| Torque (N-m) | 0.4-0.5 | |
| Screw | M2.5 | |
| Wire strip length | 6-7mm | |

| Number of Positions | | |
|---------------------|--------|--|
| EHK2V-XXP | 02~24P | |
| EEHK2V-XXP | 04~48P | |



EEHK2V-XXP



5.08mm

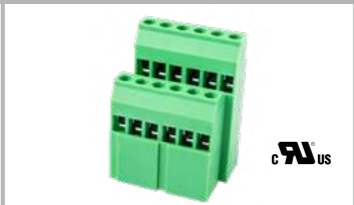
| Technical Data | UL | IEC |
|---------------------------------|---------|---------|
| Rated voltage | 300V | 400V |
| Rated current | 25A | 24A |
| Solid (AWG/mm ²) | 24-12 | 0.5-2.5 |
| Flexible (AWG/mm ²) | 24-12 | 0.5-2.5 |
| Rated impulse voltage | 4KV | |
| Torque (N-m) | 0.4-0.5 | |
| Screw | M2.5 | |
| Wire strip length | 6-7mm | |

| Number of Positions | | |
|---------------------|----------------------|--|
| E2HK508V-XXP | 02P, 03P...up to 16P | |
| EHK508V2L-XXP | 04P, 06P...up to 48P | |
| EHK508V3L-XXP | 06P, 09P...up to 72P | |

E2HK508V-XXP



EHK508V2L-XXP



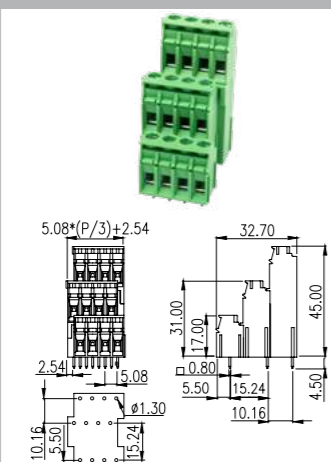
EHK508V3L-XXP



5.08mm

| Technical Data | UL | IEC |
|---------------------------------|---------|---------|
| Rated voltage | 300V | 400V |
| Rated current | 20A | 24A |
| Solid (AWG/mm ²) | 26-12 | 0.2-2.5 |
| Flexible (AWG/mm ²) | 26-12 | 0.2-2.5 |
| Rated impulse voltage | 4KV | |
| Torque (N-m) | 0.5-0.6 | |
| Screw | M3 | |
| Wire strip length | 7-8mm | |

| Number of Positions | | |
|---------------------|--------|--|
| ESK508V3L-XXP | 06~48P | |
| ESK508V4L-XXP | 04~32P | |



ESK508V4L-XXP



6.35mm

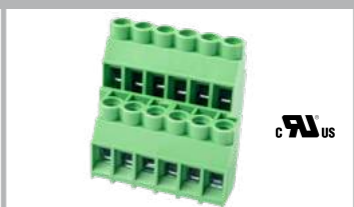
| Technical Data | UL | IEC |
|---------------------------------|---------|---------|
| Rated voltage | 300V | 450V |
| Rated current | 30A | 32A |
| Solid (AWG/mm ²) | 26-10 | 0.2-4.0 |
| Flexible (AWG/mm ²) | 26-10 | 0.2-4.0 |
| Rated impulse voltage | 4KV | |
| Torque (N-m) | 0.5-0.6 | |
| Screw | M3 | |
| Wire strip length | 8-9mm | |

| Number of Positions | | |
|---------------------|----------------------|--|
| ESK635V-XXP | 02~24P | |
| EKB635V-XXP | 04P, 06P...up to 48P | |

ESK635V-XXP



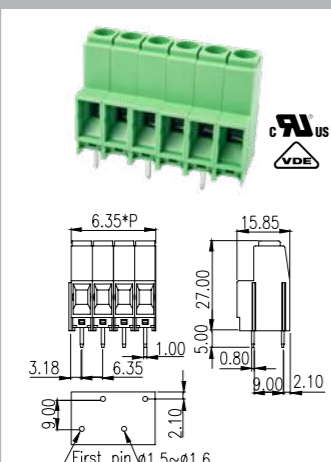
EKB635V-XXP



6.35mm

| Technical Data | UL | IEC |
|---------------------------------|---------|-------|
| Rated voltage | 600V | 1000V |
| Rated current | 35A | 41A |
| Solid (AWG/mm ²) | 18-8 | 0.2-6 |
| Flexible (AWG/mm ²) | 18-8 | 0.2-6 |
| Rated impulse voltage | 8KV | |
| Torque (N-m) | 0.5-0.6 | |
| Screw | M3 | |
| Wire strip length | 9-10mm | |

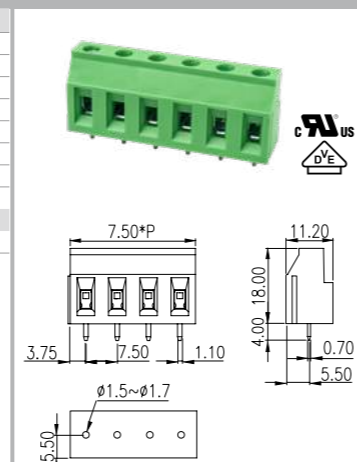
| Number of Positions | | |
|---------------------|--|--|
| 02~16P | | |



7.50mm

| Technical Data | UL | IEC |
|---------------------------------|---------|---------|
| Rated voltage | 300V | 600V |
| Rated current | 25A | 24A |
| Solid (AWG/mm ²) | 24-12 | 0.2-4 |
| Flexible (AWG/mm ²) | 24-12 | 0.2-2.5 |
| Rated impulse voltage | 6KV | |
| Torque (N-m) | 0.4-0.5 | |
| Screw | M2.5 | |
| Wire strip length | 7-8mm | |

| Number of Positions | | |
|---------------------|--|--|
| 02~16P | | |



7.50mm

| Technical Data | UL | IEC |
|---------------------------------|---------|---------|
| Rated voltage | 300V | 320V |
| Rated current | 20A | 24A |
| Solid (AWG/mm ²) | 28-12 | 0.2-4 |
| Flexible (AWG/mm ²) | 28-12 | 0.2-2.5 |
| Rated impulse voltage | 4KV | |
| Torque (N-m) | 0.4-0.5 | |
| Screw | M2.5 | |
| Wire strip length | 6-7mm | |

| Number of Positions | | |
|---------------------|--|--|
| 02~16P | | |

EK750V-XXP



7.50mm

| Technical Data | UL | IEC |
|---------------------------------|-------|-------|
| Rated voltage | 300V | 450V |
| Rated current | 30A | 32A |
| Solid (AWG/mm ²) | 24-10 | 0.2-4 |
| Flexible (AWG/mm ²) | 24-10 | 0.2-4 |
| Rated impulse voltage | 6KV | |
| Torque (N-m) | 0.8-1 | |
| Screw | M3.5 | |
| Wire strip length | 7-8mm | |

| Number of Positions | | |
|---------------------|--|--|
| 02~12P | | |

ESK750V-XXP



7.62mm EHK3V-XXP

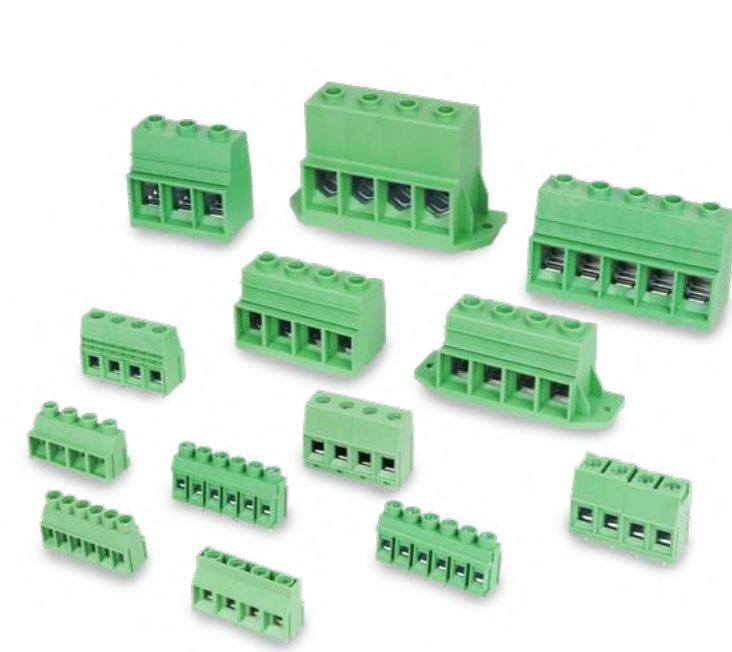
| Technical Data | | |
|---------------------------------|---------|---------|
| UL | UL | IEC |
| Rated voltage | 300V | 600V |
| Rated current | 25A | 24A |
| Solid (AWG/mm ²) | 24~12 | 0.2~4 |
| Flexible (AWG/mm ²) | 24~12 | 0.2~2.5 |
| Rated impulse voltage | 6KV | |
| Torque (N-m) | 0.4~0.5 | |
| Screw | M2.5 | |
| Wire strip length | 6~7mm | |
| Number of Positions | | |
| 02~16P | | |

7.62mm ESK762V-XXP

| Technical Data | | |
|---------------------------------|-------|-------|
| UL | UL | IEC |
| Rated voltage | 300V | 750V |
| Rated current | 30A | 32A |
| Solid (AWG/mm ²) | 24~10 | 0.2~4 |
| Flexible (AWG/mm ²) | 24~10 | 0.2~4 |
| Rated impulse voltage | 6KV | |
| Torque (N-m) | 0.8~1 | |
| Screw | M3.5 | |
| Wire strip length | 7~8mm | |
| Number of Positions | | |
| 02~12P | | |

7.62mm EKB762V-XXP

| Technical Data | | |
|---------------------------------|-------|-------|
| UL | UL | IEC |
| Rated voltage | 300V | 750V |
| Rated current | 30A | 32A |
| Solid (AWG/mm ²) | 24~10 | 0.2~4 |
| Flexible (AWG/mm ²) | 24~10 | 0.2~4 |
| Rated impulse voltage | 6KV | |
| Torque (N-m) | 0.8~1 | |
| Screw | M3.5 | |
| Wire strip length | 7~8mm | |
| Number of Positions | | |
| 04P, 06P...32P | | |



9.52mm EK950V-XXP

| Technical Data | | |
|---------------------------------|---------|---------|
| UL | UL | IEC |
| Rated voltage | 300V | 1000V |
| Rated current | 30A | 32A |
| Solid (AWG/mm ²) | 26~10 | 0.5~4.0 |
| Flexible (AWG/mm ²) | 26~10 | 0.2~6 |
| Rated impulse voltage | 8KV | |
| Torque (N-m) | 0.5~1.0 | |
| Screw | M3 | |
| Wire strip length | 7~8mm | |
| Number of Positions | | |
| 02~25P | | |

9.52mm EK950HVN-XXP

| Technical Data | | |
|---------------------------------|---------|--------|
| UL | UL | IEC |
| Rated voltage | 300V | 630V |
| Rated current | 65A | 76A |
| Solid (AWG/mm ²) | 22~6 | 0.5~16 |
| Flexible (AWG/mm ²) | 22~6 | 0.5~16 |
| Rated impulse voltage | 6KV | |
| Torque (N-m) | 1.2~1.5 | |
| Screw | M4 | |
| Wire strip length | 13~14mm | |
| Number of Positions | | |
| 02~10P | | |

10.16mm ESKW116V-XXP

| Technical Data | | |
|---------------------------------|---------|--------|
| UL | UL | IEC |
| Rated voltage | 300V | 630V |
| Rated current | 65A | 76A |
| Solid (AWG/mm ²) | 20~6 | 0.5~16 |
| Flexible (AWG/mm ²) | 20~6 | 0.5~16 |
| Rated impulse voltage | 6KV | |
| Torque (N-m) | 1.2~1.5 | |
| Screw | M4 | |
| Wire strip length | 10~11mm | |
| Number of Positions | | |
| 02P, 03P..... | | |

ESK series transfers signals, data and power to printed circuit boards simply and securely. It is suitable for applications in many fields in various industries, such as frequency converters, servo drives, PLCs, inverters and other equipments. It can also be used in industrial Internet of Things applications.

The product range with pitches from 2.54mm to 20 mm is available in metric and inch pitches. The low-loss conductive structure design makes the load temperature rise lower. It can provide high-efficiency output while having excellent conductive properties and also an excellent choice for small to high power Electronic device for a wide range of applications.

- Compact dimension, easy connection, wide application
- Easy to integrate into panels of the devices for simple operations
- Multi-row layout enables high-density PCB connections

The pitches above 6.35mm are applied in greater power demand and provides reliable driving and control forces, allowing users to have excellent actuating and control capabilities in high-power equipment.

10.16mm EPK116VN-XXP

| Technical Data | | |
|---------------------------------|-----------|--------|
| UL | UL | IEC |
| Rated voltage | 600V | 1000V |
| Rated current | 57A / 65A | 76A |
| Solid (AWG/mm ²) | 20~6 | 0.5~16 |
| Flexible (AWG/mm ²) | 20~6 | 0.5~16 |
| Rated impulse voltage | 8KV | |
| Torque (N-m) | 1.2~1.5 | |
| Screw | M4 | |
| Wire strip length | 12~13mm | |
| Number of Positions | | |
| 02~16P | | |

10.16mm EPK116VS-XXP

| Technical Data | | |
|---------------------------------|---------|--------|
| UL | UL | IEC |
| Rated voltage | 300V | 1000V |
| Rated current | 65A | 76A |
| Solid (AWG/mm ²) | 20~6 | 0.5~16 |
| Flexible (AWG/mm ²) | 20~6 | 0.5~10 |
| Rated impulse voltage | 8KV | |
| Torque (N-m) | 1.2~1.5 | |
| Screw | M4 | |
| Wire strip length | 10~11mm | |
| Number of Positions | | |
| 02P, 03P..... | | |

10.16mm ESK116V-XXP

| Technical Data | | |
|---------------------------------|---------|--------|
| UL | UL | IEC |
| Rated voltage | 300V | 1000V |
| Rated current | 65A | 76A |
| Solid (AWG/mm ²) | 20~6 | 0.5~16 |
| Flexible (AWG/mm ²) | 20~6 | 0.5~10 |
| Rated impulse voltage | 8KV | |
| Torque (N-m) | 1.2~1.5 | |
| Screw | M4 | |
| Wire strip length | 10~11mm | |
| Number of Positions | | |
| 02P, 03P..... | | |

10.16mm ESK116R-XXPAM

| Technical Data | | |
|---------------------------------|---------|-------|
| UL | UL | IEC |
| Rated voltage | 600V | 1000V |
| Rated current | 200A | 232A |
| Solid (AWG/mm ²) | 6~3/0 | 16~95 |
| Flexible (AWG/mm ²) | 6~3/0 | 25~95 |
| Rated impulse voltage | 8KV | |
| Torque (N-m) | 10~12 | |
| Screw | M8 | |
| Wire strip length | 25~26mm | |
| Number of Positions | | |
| 01~06P | | |

15.00mm ESK150V-XXP

| Technical Data | | |
|---------------------------------|---------|--------|
| UL | UL | IEC |
| Rated voltage | 600V | 1000V |
| Rated current | 115A | 125A |
| Solid (AWG/mm ²) | 20~2 | 0.5~35 |
| Flexible (AWG/mm ²) | 20~2 | 0.5~35 |
| Rated impulse voltage | 8KV | |
| Torque (N-m) | 3.8~4.5 | |
| Screw | M5 | |
| Wire strip length | 18~19mm | |
| Number of Positions | | |
| 02~09P | | |

15.00mm ESK150VM-XXP

| Technical Data | | |
|---------------------------------|---------|--------|
| UL | UL | IEC |
| Rated voltage | 600V | 1000V |
| Rated current | 160A | 192A |
| Solid (AWG/mm ²) | 16~2/0 | 1.5~70 |
| Flexible (AWG/mm ²) | 16~2/0 | 1.5~70 |
| Rated impulse voltage | 8KV | |
| Torque (N-m) | 5~6 | |
| Screw | M6 | |
| Wire strip length | 19~21mm | |
| Number of Positions | | |
| 01~13P | | |

17.50mm ESK175V-XXP

| Technical Data | | |
|---------------------------------|---------|--------|
| UL | UL | IEC |
| Rated voltage | 600V | 1000V |
| Rated current | 160A | 192A |
| Solid (AWG/mm ²) | 16~2/0 | 1.5~70 |
| Flexible (AWG/mm ²) | 16~2/0 | 1.5~70 |
| Rated impulse voltage | 8KV | |
| Torque (N-m) | 5~6 | |
| Screw | M6 | |
| Wire strip length | 19~21mm | |
| Number of Positions | | |
| 01~11P | | |

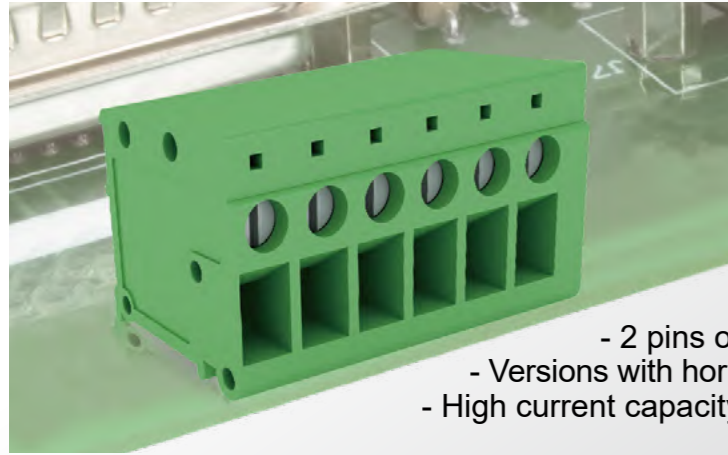
17.50mm ESK175VM-XXP

| Technical Data | | |
|---------------------------------|---------|-------|
| UL | UL | IEC |
| Rated voltage | 600V | 1000V |
| Rated current | 200A | 232A |
| Solid (AWG/mm ²) | 6~3/0 | 16~95 |
| Flexible (AWG/mm ²) | 6~3/0 | 25~95 |
| Rated impulse voltage | 8KV | |
| Torque (N-m) | 10~12 | |
| Screw | M8 | |
| Wire strip length | 25~26mm | |
| Number of Positions | | |
| 01~06P | | |

20.00mm ESK200VM-XXP

| Technical Data | | |
|---------------------------------|---------|-------|
| UL | UL | IEC |
| Rated voltage | 600V | 1000V |
| Rated current | 200A | 232A |
| Solid (AWG/mm ²) | 6~3/0 | 16~95 |
| Flexible (AWG/mm ²) | 6~3/0 | 25~95 |
| Rated impulse voltage | 8KV | |
| Torque (N-m) | 10~12 | |
| Screw | M8 | |
| Wire strip length | 25~26mm | |
| Number of Positions | | |
| 01~06P | | |

Front Entry Screw Connection Terminal Blocks



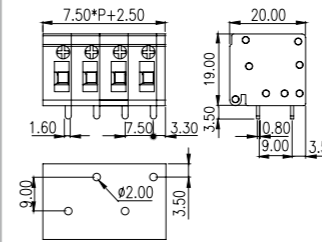
Connection method: Screw connection
Pitch: 5.00mm / 6.35mm / 7.50mm / 7.62mm / 10.00mm
UL Rated Voltage: 300V ~ 600V
UL Rated Current: 20A ~ 65A
IEC Rated Voltage: 300V ~ 1000V
IEC Rated Current: 24A ~ 57A

- 2 pins on each pole for excellent stability on PCB
- Versions with horizontal and vertical wire entry direction to the PCB
- High current capacity up to 30A for 7.62mm pitch products

7.50mm

DT-123HVR-XXP

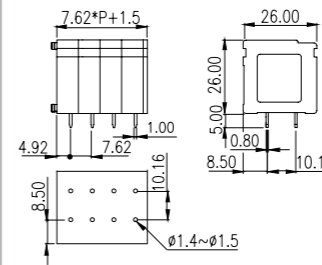
| Technical Data | UL | IEC |
|---------------------------------|---------|-------|
| Rated voltage | 600V | 1000V |
| Rated current | 20A | 24A |
| Solid (AWG/mm ²) | 22~12 | 0.5~4 |
| Flexible (AWG/mm ²) | 22~12 | 0.5~4 |
| Rated impulse voltage | | 8KV |
| Torque (N-m) | 0.4~0.5 | |
| Screw | M2.5 | |
| Wire strip length | 13~14mm | |



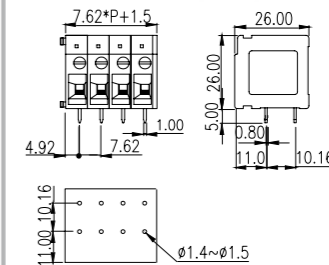
7.62mm

DT-2321-XXP

| Technical Data | UL | IEC |
|---------------------------------|---------|-------|
| Rated voltage | 300V | 630V |
| Rated current | 30A | 32A |
| Solid (AWG/mm ²) | 22~10 | 0.5~6 |
| Flexible (AWG/mm ²) | 22~10 | 0.5~4 |
| Rated impulse voltage | | 6KV |
| Torque (N-m) | 0.5~0.6 | |
| Screw | M3 | |
| Wire strip length | 13~14mm | |



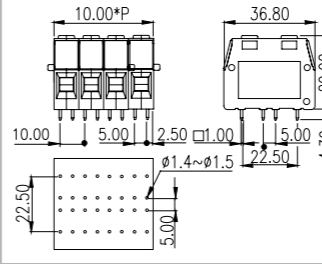
DT-2320-XXP



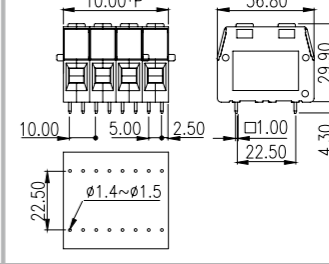
10.00mm

PDS-10-XX

| Technical Data | UL | IEC |
|---------------------------------|---------|--------|
| Rated voltage | 300V | 630V |
| Rated current | 65A | 57A |
| Solid (AWG/mm ²) | 24~6 | 0.5~10 |
| Flexible (AWG/mm ²) | 24~6 | 0.5~10 |
| Rated impulse voltage | | 4KV |
| Torque (N-m) | 1.2~1.5 | |
| Screw | M4 | |
| Wire strip length | 12~13mm | |
| Marking label | TM28 | |



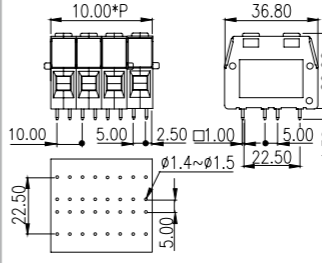
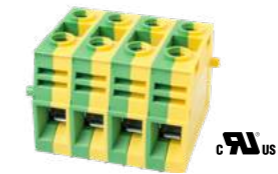
PDS-10S-XX



10.00mm

PDS-10A-XX

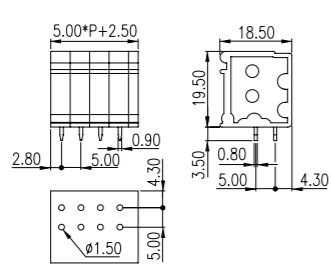
| Technical Data | UL | IEC |
|---------------------------------|---------|--------|
| Rated voltage | 300V | 630V |
| Rated current | 65A | 57A |
| Solid (AWG/mm ²) | 24~6 | 0.5~10 |
| Flexible (AWG/mm ²) | 24~6 | 0.5~10 |
| Rated impulse voltage | | 4KV |
| Torque (N-m) | 1.2~1.5 | |
| Screw | M4 | |
| Wire strip length | 12~13mm | |
| Marking label | TM28 | |



5.00mm

DT-123VA-XXP

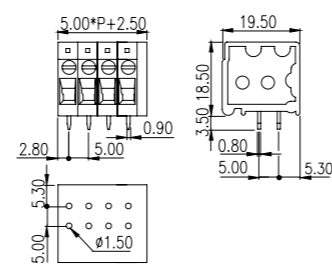
| Technical Data | UL | IEC |
|---------------------------------|-----------|---------|
| Rated voltage | 300V | 300V |
| Rated current | 20A / 26A | 24A |
| Solid (AWG/mm ²) | 22~12 | 0.5~2.5 |
| Flexible (AWG/mm ²) | 22~12 | 0.5~2.5 |
| Rated impulse voltage | | 4KV |
| Torque (N-m) | 0.4~0.5 | |
| Screw | M2.5 | |
| Wire strip length | 13~14mm | |



5.00mm

DT-123RA-XXP

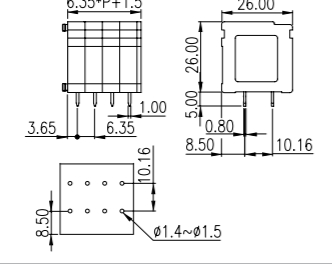
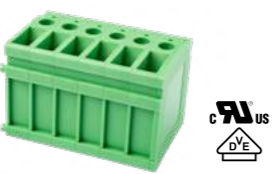
| Technical Data | UL | IEC |
|---------------------------------|-----------|-------|
| Rated voltage | 300V | 320V |
| Rated current | 20A / 26A | 32A |
| Solid (AWG/mm ²) | 22~12 | 0.5~4 |
| Flexible (AWG/mm ²) | 22~12 | 0.5~4 |
| Rated impulse voltage | | 4KV |
| Torque (N-m) | 0.4~0.5 | |
| Screw | M2.5 | |
| Wire strip length | 13~14mm | |



6.35mm

DT-2301-XXP

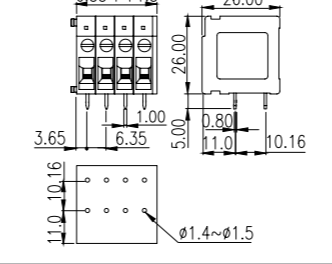
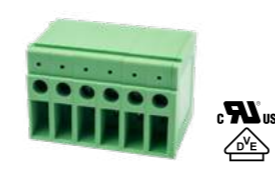
| Technical Data | UL | IEC |
|---------------------------------|---------|-------|
| Rated voltage | 300V | 320V |
| Rated current | 30A | 32A |
| Solid (AWG/mm ²) | 22~10 | 0.5~6 |
| Flexible (AWG/mm ²) | 22~10 | 0.5~6 |
| Rated impulse voltage | | 4KV |
| Torque (N-m) | 0.5~0.6 | |
| Screw | M3 | |
| Wire strip length | 13~14mm | |



6.35mm

DT-2300-XXP

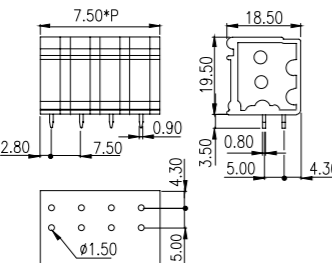
| Technical Data | UL | IEC |
|---------------------------------|---------|-------|
| Rated voltage | 300V | 320V |
| Rated current | 30A | 32A |
| Solid (AWG/mm ²) | 22~10 | 0.5~6 |
| Flexible (AWG/mm ²) | 22~10 | 0.5~6 |
| Rated impulse voltage | | 4KV |
| Torque (N-m) | 0.5~0.6 | |
| Screw | M3 | |
| Wire strip length | 13~14mm | |



7.50mm

DT-123VA-XXP3

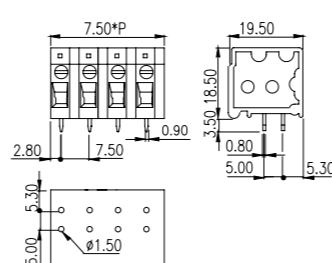
| Technical Data | UL | IEC |
|---------------------------------|-----------|---------|
| Rated voltage | 300V | 630V |
| Rated current | 20A / 26A | 24A |
| Solid (AWG/mm ²) | 22~12 | 0.5~2.5 |
| Flexible (AWG/mm ²) | 22~12 | 0.5~2.5 |
| Rated impulse voltage | | 6KV |
| Torque (N-m) | 0.5 | |
| Screw | M2.5 | |
| Wire strip length | 13~14mm | |



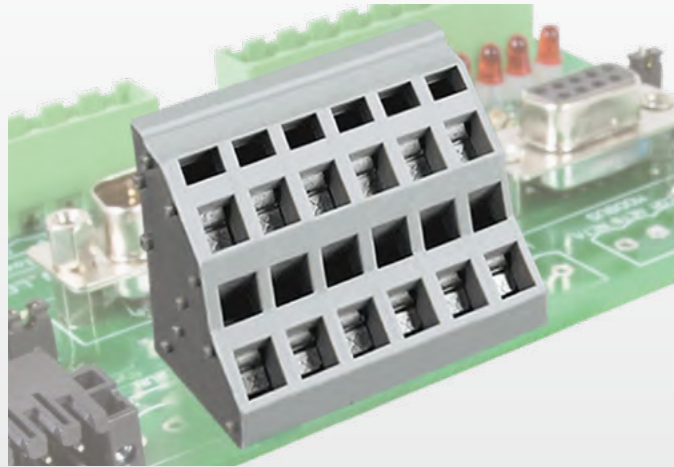
7.50mm

DT-123RA-XXP3

| Technical Data | UL | IEC |
|---------------------------------|-----------|-------|
| Rated voltage | 300V | 500V |
| Rated current | 20A / 26A | 32A |
| Solid (AWG/mm ²) | 22~12 | 0.5~4 |
| Flexible (AWG/mm ²) | 22~12 | 0.5~4 |
| Rated impulse voltage | | 6KV |
| Torque (N-m) | 0.5 | |
| Screw | M2.5 | |
| Wire strip length | 13~14mm | |



Spring Clamp Connection PCB Terminal Blocks



Connection method: Spring clamp connection
 Pitch: 2.50mm / 5.00mm / 5.08mm / 7.50mm / 10.00mm
 UL Rated: 300V/4A~ 300V/57A
 IEC Rated: 130V/6A~ 450V/76A

- Versions with single, double, triple and four-level PCB terminal blocks
- Colored marking of individual pole is available by request

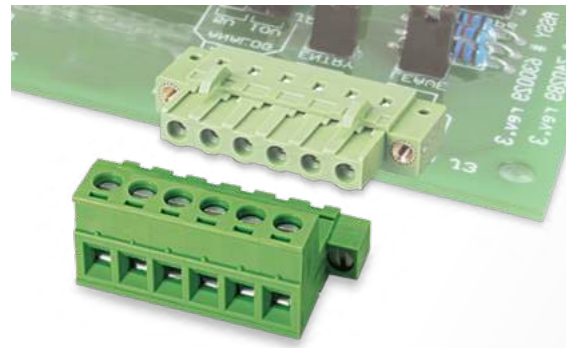
| 2.50mm | | WKA250A-XXP | | WKV250A-XXP | | 2.54mm | | WKA254A-XXP | | WKV254A-XXP | |
|---------------------------------|-------|-------------|--|--|---------------------------------|---------------------|-------|--|---|-------------|--|
| Technical Data | UL | IEC | | | Technical Data | UL | IEC | | | | |
| Rated voltage | 300V | 130V | $2.50 \times P + 1.5$ 12.1, 15.50, 4.00, 0.75, 2.55, 2.70, 5.00, 2.70, 5.00, 0.75, 2.50, 1.50, 5.00, 4.00, 1.90, 5.00, 1.10 | $2.50 \times P + 1.5$ 14.2, 13.80, 0.75, 0.50, 2.55, 2.50, 1.50, 5.00, 4.00, 5.00, 1.10 | Rated voltage | 300V | 130V | $2.54 \times P + 1.5$ 13.9, 15.50, 0.75, 2.55, 2.54, 5.00, 2.70, 5.00, 2.70, 5.00, 0.75, 2.54, 1.50, 5.00, 4.00, 1.90, 5.00, 1.10 | $2.54 \times P + 1.5$ 14.20, 13.80, 0.75, 0.50, 2.55, 2.54, 1.50, 5.00, 4.00, 5.00, 1.10 | | |
| Rated current | 4A | 6A | | | Rated current | 4A | 6A | | | | |
| Solid (AWG/mm ²) | 28~20 | 0.5 | | | Solid (AWG/mm ²) | 28~20 | 0.5 | | | | |
| Flexible (AWG/mm ²) | 28~20 | 0.5 | | | Flexible (AWG/mm ²) | 28~20 | 0.5 | | | | |
| Rated impulse voltage | | 2.5KV | | | Rated impulse voltage | | 2.5KV | | | | |
| Wire strip length | 5~6mm | | Wire strip length | | 5~6mm | | | | | | |
| Number of Positions | | | Number of Positions | | | Number of Positions | | | Number of Positions | | |
| WKA250A-XXP | | | 02P, 03P, 04P..... | | | WKA254A-XXP | | | 02P, 03P, 04P..... | | |
| WKV250A-XXP | | | 02P, 03P, 04P..... | | | WKV254A-XXP | | | 02P, 03P, 04P..... | | |
| • Made to order | | | | | | • Made to order | | | | | |

| 5.00mm | | WKA500-XXP | | 5.00mm | | WKK500-XXP | | W3K500-XXP | | W4K500-XXP | |
|---------------------------------|-------|------------|--|--|---------------------------------|---------------------|---------|--|--|------------|--|
| Technical Data | UL | IEC | | | Technical Data | UL | IEC | | | | |
| Rated voltage | 300V | 450V | $5.00 \times P + 1$ 14.25, 13.00, 3.15, 5.00, 0.70, 0.70, 5.00, 5.00, 4.00, 5.00, 5.00, 1.1~1.2 | $5.00 \times P / 2 + 1$ 21.00, 26.70, 1.50, 5.00, 2.50, 0.70, 4.30, 15.24, 4.00, 4.30, 1.2, 15.24 | Rated voltage | 300V | 450V | $5.00 \times P / 3 + 1$ 31.20, 39.00, 1.50, 5.00, 0.70, 4.30, 15.24, 10.16, 4.30, 1.2, 15.24, 10.16 | $5.00 \times P / 4 + 1$ 42.00, 51.50, 1.50, 5.00, 0.70, 4.30, 15.24, 10.16, 4.30, 1.2, 15.24, 10.16 | | |
| Rated current | 15A | 24A | | | Rated current | 10A | 24A | | | | |
| Solid (AWG/mm ²) | 28~12 | 0.5~2.5 | | | Solid (AWG/mm ²) | 28~12 | 0.5~2.5 | | | | |
| Flexible (AWG/mm ²) | 28~12 | 0.5~2.5 | | | Flexible (AWG/mm ²) | 28~12 | 0.5~2.5 | | | | |
| Rated impulse voltage | | 4KV | | | Rated impulse voltage | | 4KV | | | | |
| Wire strip length | 5~6mm | | Wire strip length | | 6~7mm | | | | | | |
| Number of Positions | | | Number of Positions | | | Number of Positions | | | Number of Positions | | |
| WKA500-XXP | | | 02P, 03P, 04P..... | | | WKK500-XXP | | | 04P, 06P, 08P..... | | |
| | | | | | | W3K500-XXP | | | 06P, 09P, 12P..... | | |
| | | | | | | W4K500-XXP | | | 08P, 12P, 16P..... | | |

| 5.00mm | | WKA500-XXPL | | 5.08mm | | WKA508-XXP | | 5.08mm | | WKK508-XXP | | W3K508-XXP | | W4K508-XXP | |
|---------------------------------|-------|-------------|--|---|---------------------------------|---------------------|---------|--|--|------------|--|------------|--|------------|--|
| Technical Data | UL | IEC | | | Technical Data | UL | IEC | | | | | | | | |
| Rated voltage | 300V | 320V | $5.00 \times P + 1$ 14.00, 13.00, 3.15, 5.00, 0.70, 0.70, 5.00, 5.00, 2.60, 5.00, 5.00, 1.1~1.2 | $5.08 \times P + 1.0$ 14.25, 13.00, 3.15, 5.08, 0.70, 4.00, 13.00, 5.00, 5.00, 4.00, 1.1~1.2 | Rated voltage | 300V | 450V | $5.08 \times P / 2 + 1$ 21.00, 26.70, 1.54, 5.08, 2.54, 0.70, 4.30, 15.24, 4.00, 4.30, 1.2, 15.24 | $5.08 \times P / 3 + 1$ 31.20, 39.00, 2.54, 5.08, 2.00, 4.00, 4.30, 15.24, 10.16, 4.30, 1.2, 15.24, 10.16 | | | | | | |
| Rated current | 15A | 24A | | | Rated current | 10A | 24A | | | | | | | | |
| Solid (AWG/mm ²) | 28~12 | 0.2~2.5 | | | Solid (AWG/mm ²) | 28~12 | 0.5~2.5 | | | | | | | | |
| Flexible (AWG/mm ²) | 28~12 | 0.2~2.5 | | | Flexible (AWG/mm ²) | 28~12 | 0.5~2.5 | | | | | | | | |
| Rated impulse voltage | | 4KV | | | Rated impulse voltage | | 4KV | | | | | | | | |
| Wire strip length | 5~6mm | | Wire strip length | | 6~7mm | | | | | | | | | | |
| Number of Positions | | | Number of Positions | | | Number of Positions | | | Number of Positions | | | | | | |
| 02~12P | | | 02P, 03P, 04P..... | | | WKK508-XXP | | | 04P, 06P, 08P..... | | | | | | |
| | | | | | | W3K508-XXP | | | 06P, 09P, 12P..... | | | | | | |
| | | | | | | W4K508-XXP | | | 08P, 12P, 16P..... | | | | | | |

| 5.00mm | | WKA50B-XXP | | 5.00mm | | WSKA500S-XXP | | 7.50mm | | WSKA750S-XXP | | 10.00mm | | WSKA100-XXP | |
|---------------------------------|--------|------------|---|--|---------------------------------|---------------------|-------|--|--|--------------|--|---------|--|-------------|--|
| Technical Data | UL | IEC | | | Technical Data | UL | IEC | | | | | | | | |
| Rated voltage | 300V | 320V | $5.00 \times P + 1.50$ 17.00, 19.00, 3.80, 5.00, 0.80, 0.50, 8.80, 3.50, 8.80, 1.1~1.2 | $5.00 \times P + 1.50$ 22.90, 19.00, 3.75, 5.00, 1.20, 6.20, 10.00, 4.00, 6.20, 10.00, 1.80 | Rated voltage | 300V | 250V | $7.50 \times P + 1.70$ 29.10, 23.00, 4.95, 7.50, 1.40, 8.00, 12.50, 4.50, 12.50, 2.20, 8.00 | $10.00 \times P + 1.7$ 33.50, 27.10, 10.00, 4.00, 1.60, 15.00, 9.8, 6.50, 15.00, 2.20 | | | | | | |
| Rated current | 10A | 17.5A | | | Rated current | 30A | 41A | | | | | | | | |
| Solid (AWG/mm ²) | 24~16 | 0.2~1.5 | | | Solid (AWG/mm ²) | 26~10 | 0.5~6 | | | | | | | | |
| Flexible (AWG/mm ²) | 24~16 | 0.2~1.5 | | | Flexible (AWG/mm ²) | 26~10 | 0.5~6 | | | | | | | | |
| Rated impulse voltage | | 4KV | | | Rated impulse voltage | | 6KV | | | | | | | | |
| Wire strip length | 9~10mm | | Wire strip length | | 14~15mm | | | | | | | | | | |
| Number of Positions | | | Number of Positions | | | Number of Positions | | | Number of Positions | | | | | | |
| 02P, 03P..... | | | 02P, 03P..... | | | WSKA750S-XXP | | | 02P, 03P..... | | | | | | |
| | | | | | | | | | WSKA100-XXP | | | | | | |
| | | | | | | | | | | | | | | | |

Screw connection Inverted Headers



Connection method: screw connection / inverted plugs

Pitch: 3.50mm / 3.81mm / 5.08mm / 7.62mm / 10.16mm
 UL Rated: 300V / 8A~600V / 51A
 IEC Rated: 320V / 8A ~ 1000V / 76A

Inverted connectors and its mating parts provide PCB-to-PCB and wire-to-wire connections. It is ideal for applications that require power to be drawn from the PCB. To enhance the insertion and extraction force of the connector, it is equipped with screw flanges, which can be securely locked to the connector. Screw flanges can also be used as panel feedthroughs on the header side, providing additional stability within the unit. These connectors have been certified by UL1059

| 3.50mm | | | EC350CV-XXP | EC350CR-XXP | Socket | |
|-----------------------|------|-------|-------------|-------------|---|-----|
| Technical Data | UL | IEC | | | ECH350V-XXP | P69 |
| Rated voltage | 300V | 320V | | | ECH350R-XXP | P69 |
| Rated current | 8A | 8A | | | Please refer to the related page number for the compatible headers. | |
| Rated impulse voltage | | 2.5KV | | | | |
| Number of Positions | | | | | | |
| 02~16P | | | | | | |
| | | | | | | |

| 5.08mm | | | 2ESDCV-XXP | 2ESDCR-XXP | Socket | |
|-----------------------|---------|--------|------------|------------|---|-----|
| Technical Data | UL | IEC | | | 2EHDV-XXP | P76 |
| Rated voltage | 300V | 630V | | | 2EHDVC-XXP | P76 |
| Rated current | 15A/12A | 12A | | | 2EHDR-XXP | P76 |
| Rated impulse voltage | | 4KV | | | 2EHDRC-XXP | P76 |
| Number of Positions | | | | | Please refer to the related page number for the compatible headers. | |
| 2ESDCVM-XXP | | 02~20P | | | | |
| 2ESDCRM-XXP | | | | | | |
| 2ESDCV-XXP | | 02~24P | | | | |
| 2ESDCR-XXP | | | | | | |
| | | | | | | |

| 5.08mm | | | 2ESDCVM-XXP | 2ESDCRM-XXP | Socket | |
|-----------------------|------|-------|-------------|-------------|---|------|
| Technical Data | UL | IEC | | | 2ESHM-XXP | P122 |
| Rated voltage | 300V | 320V | | | Please refer to the related page number for the compatible headers. | |
| Rated current | 15A | 12A | | | | |
| Rated impulse voltage | | 2.5KV | | | | |
| Number of Positions | | | | | | |
| 02~12P | | | | | | |
| | | | | | | |



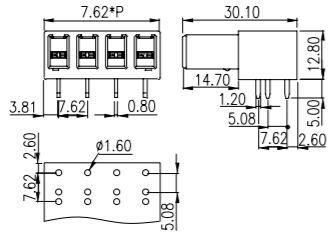
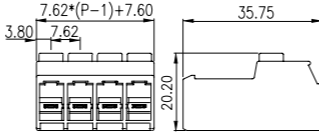
| 3.81mm | | | EC381CV-XXP | EC381CR-XXP | Socket | |
|-----------------------|------|-------|-------------|-------------|---|-----|
| Technical Data | UL | IEC | | | ECH381V-XXP | P71 |
| Rated voltage | 300V | 320V | | | ECH381R-XXP | P71 |
| Rated current | 8A | 12A | | | Please refer to the related page number for the compatible headers. | |
| Rated impulse voltage | | 2.5KV | | | | |
| Number of Positions | | | | | | |
| 02~16P | | | | | | |
| | | | | | | |

| 3.81mm | | | ECSH381V-XXP | ECSH381VM-XXP | Plug | |
|---------------------------------|-------|---------|--------------|---------------|---|------|
| Technical Data | UL | IEC | | | For ECSH381V-XXP | |
| Rated voltage | 300V | 320V | | | EC381CV-XXP | P122 |
| Rated current | 8A | 12A | | | EC381CR-XXP | P122 |
| Solid (AWG/mm ²) | 30~14 | 0.2~1.5 | | | EC381V-XXP | P49 |
| Flexible (AWG/mm ²) | 30~14 | 0.2~1.5 | | | EC381R-XXP | P49 |
| Rated impulse voltage | | 2.5KV | | | EC381RL-XXP | P49 |
| Torque (N-m) | | 0.2 | | | EC381F-XXP | P50 |
| Screw | | M2 | | | For ECSH381VM-XXP | |
| Wire strip length | | 6~7mm | | | EC381VM-XXP | P49 |
| Number of Positions | | | | | ECH381RM-XXP | P71 |
| 02~24P | | | | | Please refer to the related page number for the compatible headers. | |
| | | | | | | |

| 3.81mm | | | ECSH381MK-XXP | ECSH381K-XXP | Socket | |
|---------------------------------|-------|---------|---------------|--------------|---|--|
| Technical Data | UL | IEC | | | Please refer to the related page number for the compatible headers. | |
| Rated voltage | 300V | 320V | | | | |
| Rated current | 8A | 12A | | | | |
| Solid (AWG/mm ²) | 30~14 | 0.2~1.5 | | | | |
| Flexible (AWG/mm ²) | 30~14 | 0.2~1.5 | | | | |
| Rated impulse voltage | | 2.5KV | | | | |
| Torque (N-m) | | 0.2 | | | | |
| Screw | | M2 | | | | |
| Wire strip length | | 6~7mm | | | | |
| Number of Positions | | | | | | |
| ECSH381MK-XXP | | 02~22P | | | | |
| ECSH381K-XXP | | 02~24P | | | | |
| Accessories | | | | | | |
| EHDK1 | | P66 | | | | |
| | | | | | | |

| 5.08mm | | | 2ESH-XXP | 2ESHM-XXP | Plug | |
|---------------------------------|-------|---------|----------|-----------|---|------|
| Technical Data | UL | IEC | | | For 2ESH-XXP | |
| Rated voltage | 300V | 320V | | | 2ESDCV-XXP | P121 |
| Rated current | 15A | 12A | | | 2ESDCR-XXP | P121 |
| Solid (AWG/mm ²) | 24~12 | 0.2~2.5 | | | For 2ESHM-XXP | |
| Flexible (AWG/mm ²) | 24~12 | 0.2~2.5 | | | 2ESDCVM-XXP | P121 |
| Rated impulse voltage | | 2.5KV | | | 2ESDCRM-XXP | P121 |
| Torque (N-m) | | 0.6 | | | Please refer to the related page number for the compatible headers. | |
| Screw | | M2.5 | | | | |
| Wire strip length | | 7mm | | | | |
| Number of Positions | | | | | | |
| 02~12P | | | | | | |
| Accessories | | | | | | |
| EHDK1 | | P65 | | | | |
| | | | | | | |

| 7.62mm | | | 7.62mm | | |
|-----------------------|------|-------|---------------------------------|------|-------|
| EC762CR-XXP | | | ECSH762V-XXP | | |
| Technical Data | UL | IEC | Technical Data | UL | IEC |
| Rated voltage | 300V | 1000V | Rated voltage | 600V | 1000V |
| Rated current | 41A | 41A | Rated current | 41A | 41A |
| Rated impulse voltage | | 6KV | Solid (AWG/mm ²) | 30~8 | 0.2~6 |
| | | | Flexible (AWG/mm ²) | 30~8 | 0.2~6 |
| | | | Rated impulse voltage | | 8KV |
| Number of Positions | | | Torque (N-m) | | |
| 02~12P | | | 0.5~0.6 | | |
| Accessories | | | Screw | | |
| ECHK2 | P66 | | M3 | | |
| Wire strip length | | | 10~11mm | | |
| Number of Positions | | | Number of Positions | | |
| 02~12P | | | 02~12P | | |
| Accessories | | | Accessories | | |
| ECHK2 | P66 | | ECHK2 | | |
| P66 | | | P66 | | |

| 7.62mm | | | 7.62mm | | |
|---------------------|--|--|---------------------|--|--|
| ECSH762SS-XXP | | | ECSH762SS-XXP | | |
| 600V | | | 600V | | |
| Technical Data | | | Technical Data | | |
| Rated voltage | | | Rated voltage | | |
| Rated current | | | Rated current | | |
| Screw | | | Screw | | |
| Wire strip length | | | Wire strip length | | |
| Number of Positions | | | Number of Positions | | |
| 02~12P | | | 02~12P | | |
| Accessories | | | Accessories | | |
| ECHK2 | | | ECHK2 | | |
| P66 | | | P66 | | |




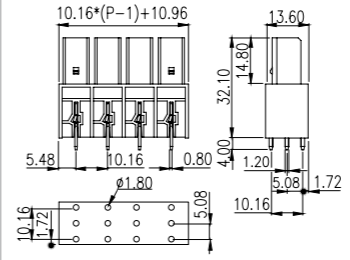

| 7.62mm | | | 7.62mm | | |
|---------------------|--|--|---------------------|--|--|
| ECSH762FS-XXP | | | ECSH762FS-XXP | | |
| 600V | | | 600V | | |
| Technical Data | | | Technical Data | | |
| Rated voltage | | | Rated voltage | | |
| Rated current | | | Rated current | | |
| Screw | | | Screw | | |
| Wire strip length | | | Wire strip length | | |
| Number of Positions | | | Number of Positions | | |
| 02~10P | | | 02~10P | | |
| Accessories | | | Accessories | | |
| ECHK2 | | | ECHK2 | | |
| P66 | | | P66 | | |




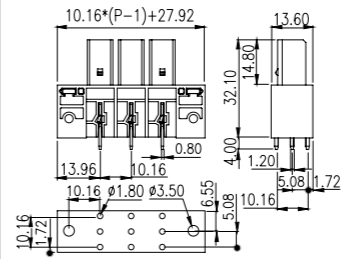

| 7.62mm | | | 7.62mm | | |
|---------------------|--|--|---------------------|--|--|
| ECSH762FS-XXP | | | ECSH762FS-XXP | | |
| 600V | | | 600V | | |
| Technical Data | | | Technical Data | | |
| Rated voltage | | | Rated voltage | | |
| Rated current | | | Rated current | | |
| Screw | | | Screw | | |
| Wire strip length | | | Wire strip length | | |
| Number of Positions | | | Number of Positions | | |
| 02~10P | | | 02~10P | | |
| Accessories | | | Accessories | | |
| ECHK2 | | | ECHK2 | | |
| P66 | | | P66 | | |





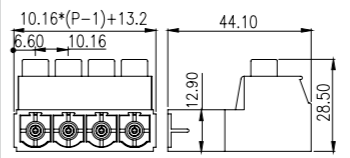
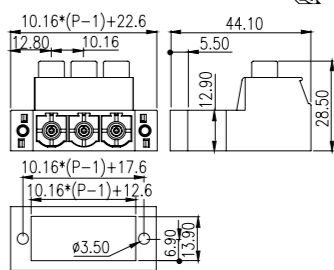

| 10.16mm | | | 10.16mm | | | Socket | |
|-----------------------|------|-------|-----------------------|------|-------|---|--|
| EC116CV-XXP | | | EC116CV-XXP | | | ECH116V-XXP | |
| Technical Data | UL | IEC | Technical Data | UL | IEC | P64 | |
| Rated voltage | 300V | 1000V | Rated voltage | 300V | 1000V | ECH116R-XXP | |
| Rated current | 51A | 76A | Rated current | 51A | 76A | P64 | |
| Rated impulse voltage | | 8KV | Rated impulse voltage | | 8KV | ECH116L-XXP | |
| | | | | | | P64 | |
| Number of Positions | | | Number of Positions | | | ECH116HVS-XXP | |
| 02~10P | | | 02~10P | | | P64 | |
| Accessories | | | Accessories | | | ECH116HRS-XXP | |
| ECHK2 | P66 | | ECHK2 | | | P64 | |
| Wire strip length | | | Wire strip length | | | Please refer to the related page number for the compatible headers. | |
| 10~11mm | | | 10~11mm | | | | |


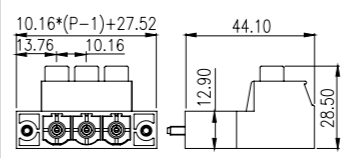
| 10.16mm | | | 10.16mm | | | Socket | |
|---------------------|--|--|---------------------|--|--|---|--|
| EC116CVM-XXP | | | EC116CVM-XXP | | | ECSH116VM-XXP | |
| 600V | | | 600V | | | P110 | |
| Technical Data | | | Technical Data | | | Please refer to the related page number for the compatible headers. | |
| Rated voltage | | | Rated voltage | | | | |
| Rated current | | | Rated current | | | | |
| Screw | | | Screw | | | | |
| Wire strip length | | | Wire strip length | | | | |
| Number of Positions | | | Number of Positions | | | | |
| 02~10P | | | 02~10P | | | | |
| Accessories | | | Accessories | | | | |
| ECHK2 | | | ECHK2 | | | | |
| P66 | | | P66 | | | | |

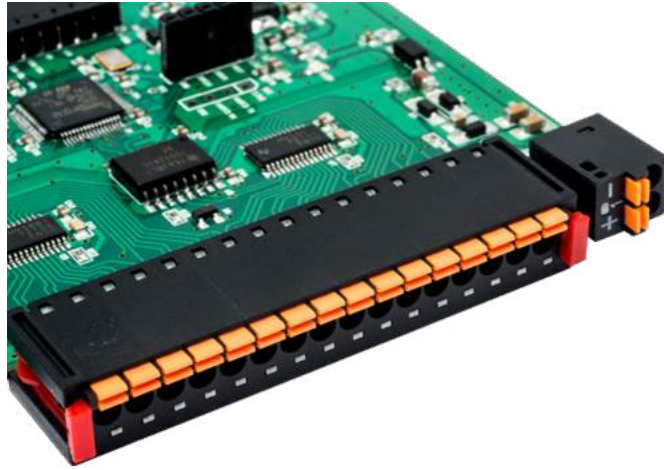
| 10.16mm | | | 10.16mm | | | Plug | |
|---------------------------------|---------|--------|---------------------------------|---------|--------|---|--|
| ECSH116V-XXP | | | ECSH116K-XXP | | | EC116V-XXP | |
| Technical Data | UL | IEC | Technical Data | UL | IEC | P64 | |
| Rated voltage | 600V | 1000V | Rated voltage | 600V | 1000V | EC116CV-XXP | |
| Rated current | 51A | 76A | Rated current | 51A | 76A | P110 | |
| Solid (AWG/mm ²) | 16~6 | 0.5~16 | Solid (AWG/mm ²) | 16~6 | 0.5~16 | Please refer to the related page number for the compatible headers. | |
| Flexible (AWG/mm ²) | 16~6 | 0.5~16 | Flexible (AWG/mm ²) | 16~6 | 0.5~16 | | |
| Rated impulse voltage | | 8KV | Rated impulse voltage | | 8KV | | |
| Screw | M4 | | Screw | M4 | | | |
| Wire strip length | 14~15mm | | Wire strip length | 14~15mm | | | |
| Number of Positions | | | Number of Positions | | | | |
| 02~10P | | | 02~10P | | | | |
| Accessories | | | Accessories | | | | |
| ECHK2 | P66 | | ECHK2 | | | | |
| P66 | | | P66 | | | | |

| 10.16mm | | | 10.16mm | | | Plug | |
|---------------------|--|--|---------------------|--|--|---|--|
| ECSH116VM-XXP | | | ECSH116VM-XXP | | | EC116CVM-XXP | |
| 600V | | | 600V | | | P110 | |
| Technical Data | | | Technical Data | | | Please refer to the related page number for the compatible headers. | |
| Rated voltage | | | Rated voltage | | | | |
| Rated current | | | Rated current | | | | |
| Screw | | | Screw | | | | |
| Wire strip length | | | Wire strip length | | | | |
| Number of Positions | | | Number of Positions | | | | |
| 02~10P | | | 02~10P | | | | |
| Accessories | | | Accessories | | | | |
| ECHK2 | | | ECHK2 | | | | |
| P66 | | | P66 | | | | |

Card Edge Connectors Connection to PCB




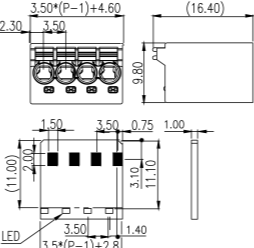
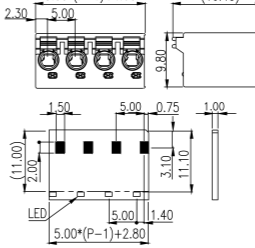



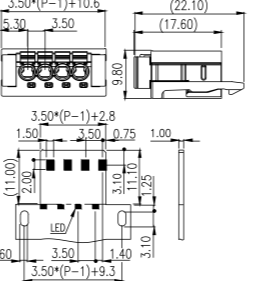
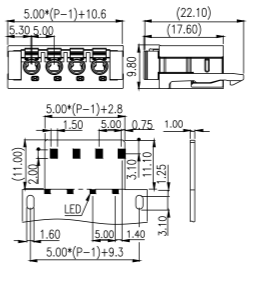
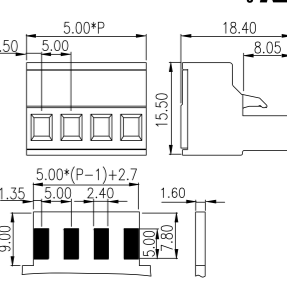



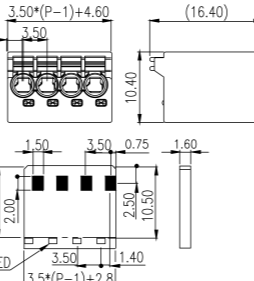
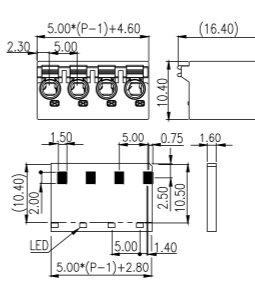
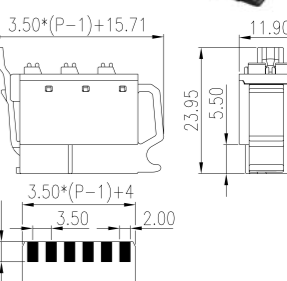


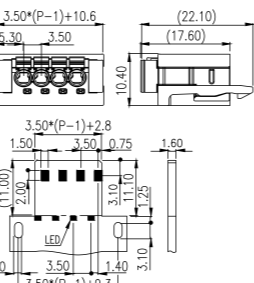
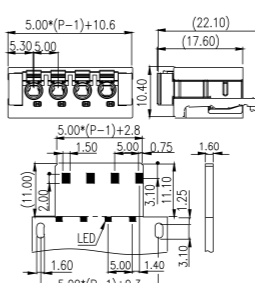


Connection method: push-in or screw connection

Pitch: 3.5mm / 5.0mm
(7.0mm & 10.0mm available on request)

UL Rated: 150V/12A ~300V/6A
IEC Rated: 320V/5A ~400V/12A

- Card-edge connection on a 1.0 or 1.6mm thick PCB
- Push-in connection for quick and easy wiring
- Special indication design on each pole allows integration
- Special indication design on each pole allows integration LED on the PCB for clear signal identification
- CPC350 and 5ESDG are screw connection on a 1.6mm thick PCB

| 3.50mm | | 0184-11XX | | 5.00mm | | 0184-31XX | | 3.50mm | | CPC350-XXP | |
|---------------------------------|---------------|---|--|---------------------------------|---------------|---|--|---|---------------|---|--|
| Technical Data | UL IEC |  | | Technical Data | UL IEC |  | | Technical Data | UL IEC |  | |
| Rated voltage | 150V 320V | | | Rated voltage | 300V 320V | | | Rated voltage | 150V 320V | | |
| Rated current | 6A 7A | | | Rated current | 6A 7A | | | Rated current | 12A 14A | | |
| Solid (AWG/mm ²) | 24~16 0.2~1.5 | | | Solid (AWG/mm ²) | 24~16 0.2~1.5 | | | Solid (AWG/mm ²) | 28~14 0.2~1.5 | | |
| Flexible (AWG/mm ²) | 24~16 0.2~1.5 | | | Flexible (AWG/mm ²) | 24~16 0.2~1.5 | | | Flexible (AWG/mm ²) | 28~14 0.2~1.5 | | |
| Rated impulse voltage | 2.5KV | | | Rated impulse voltage | 4KV | | | Rated impulse voltage | 2.5KV | | |
| Wire strip length | 8~9mm | | | Wire strip length | 8~9mm | | | Torque (N-m) | 0.2~0.25 | | |
| Number of Positions | | | | Number of Positions | | | | Screw | M2 | | |
| Q2~24P | | | | Q2~18P | | | | Wire strip length | 5~6mm | | |
| PCB thickness | | | | PCB thickness | | | | Number of Positions | | | |
| 0184-11XX | 1.0 mm |  | | 0184-31XX | 1.0 mm |  | | 02~24P | | | |
| 0184-15XX | 1.6 mm | | | 0184-35XX | 1.6 mm | | | PCB thickness | | | |
| 0184-13XX | | | | 0184-33XX | | | | 1.6 mm | | | |
| 0184-16XX | | | | 0184-36XX | | | | | | | |
| | | 0184-15XX | | | | 0184-35XX | | 5.00mm | | 5ESDG-XXP | |
| | |  | | | |  | |  | | | |
| | |  | | | |  | |  | | | |
| | | 0184-13XX | | | | 0184-33XX | | 3.50mm | | 0184-01XX | |
| | |  | | | |  | |  | | | |
| | |  | | | |  | |  | | | |
| | | 0184-16XX | | | | 0184-36XX | | | | | |
| | |  | | | |  | | | | | |
| | |  | | | |  | | | | | |

PCB Terminal Blocks For Electronic Housing Applications



Connection method: Push-in connection / screw connection

Pitch: 3.81mm / 5.00mm / 5.08mm / 9.00mm / 12.50mm

UL Rated: 150V / 8A ~ 300V / 15A

IEC Rated: 320V / 14A ~ 320V / 20A

- Versions with LED light pipe on 0171 series

- 5ESDT plug (p. 51) is the mating plug for 5EH-XXP sockets

- The terminal block design aims to increase the density of connections on PCB while using as less space as possible, the terminal pins are situated at a right angle of the wire entry direction.

DIN rail connector for DIN rail mounting in 5 pole gold-plated contacts, which helps to connect the modules on the DIN rail to play the role of power and signal transmission. BST-220-05 in black housing is for output function. The connectors fit enclosures in the width of 6.2mm, 17.5mm and 22mm.

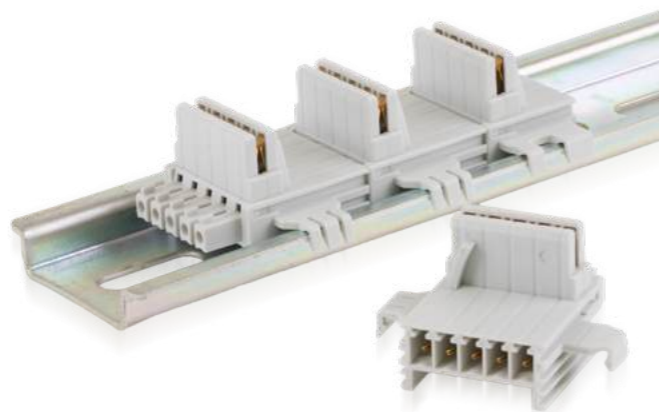
| 3.81mm | | | BST-111-05 | | | BST-112-05 | | | BST-120-05 | | |
|--------------------------------|------|------|------------|--|--|------------|--|--|------------|--|--|
| Technical Data | UL | IEC | | | | | | | | | |
| Rated voltage | 150V | 320V | | | | | | | | | |
| Rated current | 8A | 14A | | | | | | | | | |
| Number of Positions | | | 05P | | | 05P | | | 05P | | |
| Thickness of applied enclosure | | | 17.5 mm | | | 22.5 mm | | | 6.2 mm | | |
| BST-111-05 | | | 17.5 mm | | | 22.5 mm | | | 6.2 mm | | |
| BST-112-05 | | | 22.5 mm | | | 6.2 mm | | | | | |
| BST-120-05 | | | 6.2 mm | | | | | | | | |

| 3.81mm | | | BST-220-05 | | |
|--------------------------------|------|------|------------|--|--|
| Technical Data | UL | IEC | | | |
| Rated voltage | 150V | 320V | | | |
| Rated current | 8A | 14A | | | |
| Number of Positions | | | 05P | | |
| Thickness of applied enclosure | | | 6.2 mm | | |
| BST-220-05 | | | 6.2 mm | | |

| 5.08mm | | | 0228-21XX | | | 0228-22XX | | | 0228-23XX | | |
|---------------------|------|------|-----------|--|--|-----------|--|--|-----------|--|--|
| Technical Data | UL | IEC | | | | | | | | | |
| Rated voltage | 300V | 320V | | | | | | | | | |
| Rated current | 8A | 10A | | | | | | | | | |
| Number of Positions | | | 04-40P | | | 04-40P | | | 04-40P | | |

| 9.00mm | | | 0171-10XX | | | 0171-11XX | | | 0171-60XX | | |
|-----------------------|----|-----|-----------|--|--|-----------|--|--|-----------|--|--|
| Technical Data | UL | IEC | | | | | | | | | |
| Number of Positions | | | 01-04P | | | 02-08P | | | 01-04P | | |
| Rated voltage | | | 300V | | | 320V | | | 630V | | |
| Rated current | | | 8A | | | 14A | | | 15A | | |
| Solid (AWG/mm²) | | | 28-16 | | | 0.2-1.5 | | | 0.2-1.5 | | |
| Flexible (AWG/mm²) | | | 28-16 | | | 0.2-1.5 | | | 0.2-1.5 | | |
| Rated impulse voltage | | | 4KV | | | 6KV | | | 4KV | | |
| Wire strip length | | | 7-8mm | | | 7-8mm | | | 7-8mm | | |

| 12.50mm | | | 0171-20XX | | | 0171-21XX | | |
|-----------------------|------|------|-----------|--|--|-----------|--|--|
| Technical Data | UL | IEC | | | | | | |
| Rated voltage | 300V | 320V | | | | | | |
| Rated current | 15A | 20A | | | | | | |
| Number of Positions | | | 02-08P | | | 02-08P | | |
| Rated impulse voltage | | | 4KV | | | 4KV | | |
| Wire strip length | | | 9-10mm | | | 9-10mm | | |



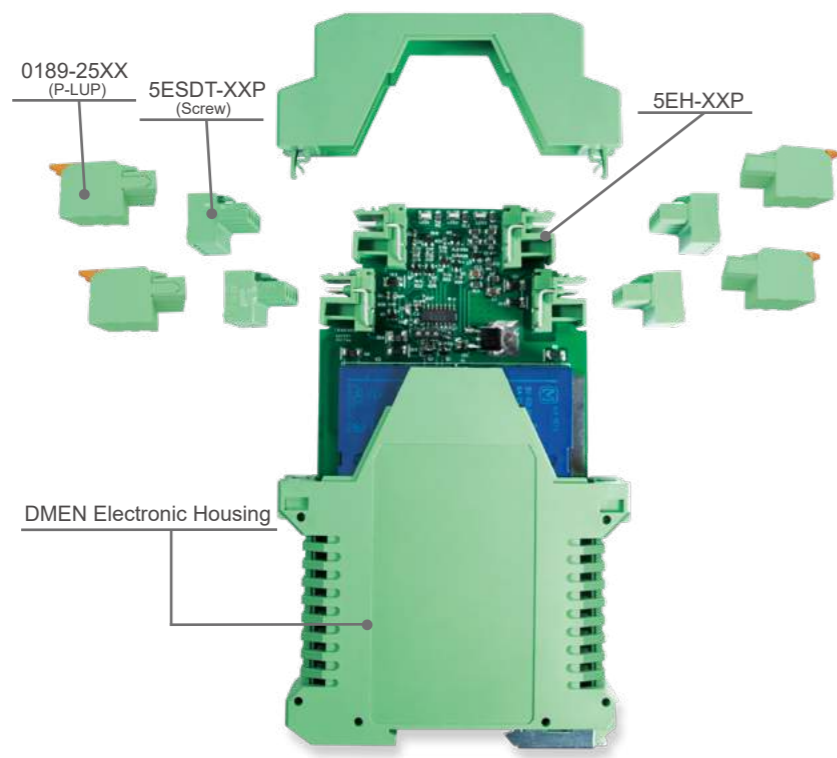
| 5.00mm | | 5ES-2PL | 5ES-3PL | 5ES-4PL | 5ES-2PR | 5ES-3PR | 5ES-4PR |
|---------------------------------|---------|---------|---------|---------|---------|---------|---------|
| Technical Data | UL | IEC | | | | | |
| Rated voltage | 300V | 400V | | | | | |
| Rated current | 10A | 24A | | | | | |
| Solid (AWG/mm ²) | 22~14 | 0.2~2.5 | | | | | |
| Flexible (AWG/mm ²) | 22~14 | 0.2~2.5 | | | | | |
| Rated impulse voltage | 2KV | 4KV | | | | | |
| Torque (N·m) | 0.4~0.5 | | | | | | |
| Screw | M2.5 | | | | | | |
| Wire strip length | 7~8mm | | | | | | |
| Number of Positions | | | | | | | |
| 5ES-2PL | | 02P | | | | | |
| 5ES-2PR | | | | | | | |
| 5ES-3PL | | | 03P | | | | |
| 5ES-3PR | | | | | | | |
| 5ES-4PL | | | | 04P | | | |
| 5ES-4PR | | | | | | | |

| 5.00mm | | 5EH-2PL 5EH-2PLL | 5EH-3PL 5EH-3PLL | 5EH-4PL 5EH-4PLL | 5EH-2PR 5EH-2PRL | 5EH-3PR 5EH-3PRL | 5EH-4PR 5EH-4PRL | 5ESDT-XXP |
|-----------------------|------|---------------------|---------------------|---------------------|---------------------|---------------------|---------------------|---------------|
| Technical Data | UL | IEC | | | | | | |
| Rated voltage | 300V | 630V | | | | | | |
| Rated current | 15A | 18A | | | | | | |
| Rated impulse voltage | | 4KV | | | | | | |
| Number of Positions | | | | | | | | |
| 5EH-2PL | | 02P | | | | | | |
| 5EH-2PR | | | | | | | | |
| 5EH-3PL | | | 03P | | | | | |
| 5EH-3PR | | | | | | | | |
| 5EH-4PL | | | | 04P | | | | |
| 5EH-4PR | | | | | | | | |
| Accessories | | | | | | | | |
| EHDK1 | | P66 | | | | | | |
| EHDK1L | | P66 | | | | | | Refer to P.51 |

| 5.00mm | | 0189-202PL | 0189-203PL | 0189-204PL | 0189-202PR | 0189-203PR | 0189-204PR | 5.00mm |
|---------------------------------|-------|------------|------------|------------|------------|------------|------------|--------|
| Technical Data | UL | IEC | | | | | | |
| Rated voltage | 300V | 320V | | | | | | |
| Rated current | 20A | 24A | | | | | | |
| Solid (AWG/mm ²) | 24~12 | 0.2~2.5 | | | | | | |
| Flexible (AWG/mm ²) | 24~12 | 0.2~4 | | | | | | |
| Rated impulse voltage | | 4KV | | | | | | |
| Wire strip length | | 10~11mm | | | | | | |
| Number of Positions | | | | | | | | |
| 0189-202PL | | 02P | | | | | | |
| 0189-202PR | | | | | | | | |
| 0189-212PL | | | | | | | | |
| 0189-212PR | | | | | | | | |
| 0189-203PL | | | 03P | | | | | |
| 0189-203PR | | | | | | | | |
| 0189-213PL | | | | | | | | |
| 0189-213PR | | | | | | | | |
| 0189-204PL | | | | 04P | | | | |
| 0189-204PR | | | | | | | | |
| 0189-214PL | | | | | | | | |
| 0189-214PR | | | | | | | | |

| 5.00mm | | 0189-212PL | 0189-213PL | 0189-214PL | 0189-212PR | 0189-213PR | 0189-214PR | 0189-25XX |
|---------------------------------|-------|------------|------------|------------|------------|------------|------------|-----------|
| Technical Data | UL | IEC | | | | | | |
| Rated voltage | 300V | 1000V | | | | | | |
| Rated current | 15A | 18A | | | | | | |
| Solid (AWG/mm ²) | 30~12 | 0.2~4 | | | | | | |
| Flexible (AWG/mm ²) | 30~12 | 0.2~2.5 | | | | | | |
| Rated impulse voltage | | 4KV | | | | | | |
| Wire strip length | | 11~12mm | | | | | | |
| Number of Positions | | | | | | | | |
| 0189-25XX | | | | | | | | 02~6P |

| 7.50mm | | 7ES-3PL | 7ES-3PR |
|---------------------------------|---------|---------|---------|
| Technical Data | UL | IEC | |
| Rated voltage | 300V | 630V | |
| Rated current | 20A | 24A | |
| Solid (AWG/mm ²) | 30-12 | 0.2-2.5 | |
| Flexible (AWG/mm ²) | 30-12 | 0.2-2.5 | |
| Rated impulse voltage | | 6KV | |
| Torque (N-m) | 0.4-0.5 | | |
| Screw | M2.5 | | |
| Wire strip length | 7-8mm | | |
| Number of Positions | | | |
| 03P | | | |



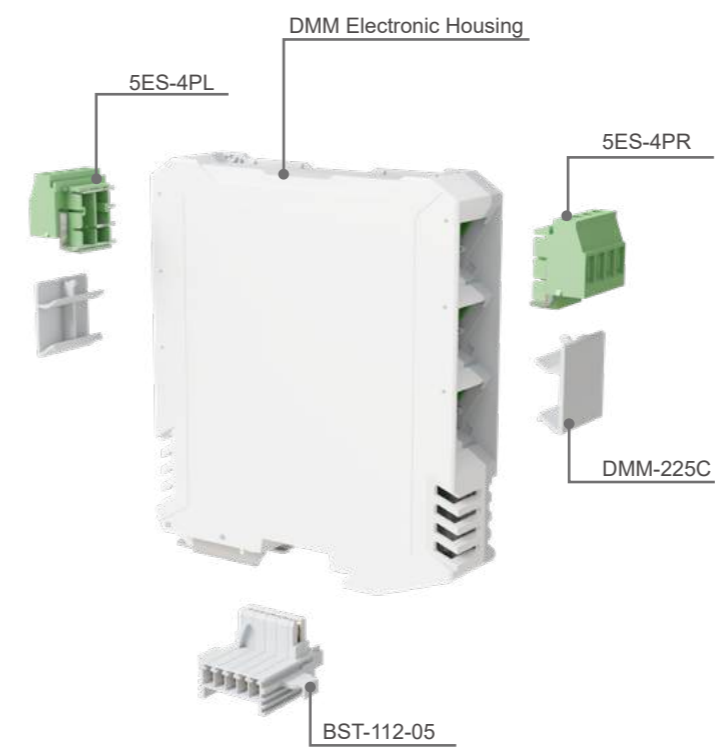
5ES and 5EH series terminal blocks are designed specifically for electronic housing DMEN type.

5ES series are PCB type terminal blocks, and is adopting elevated wire cage with screw connection.

5EH series are headers(sockets) which are compatible with 5ESDT plug (P. 51).

Please pay attention to identify left and right side features when using this product range. Please visit www.dinkle.com for more information on electronic housing DMEN type.

| Specification | DMM-2251-22 | DMM-2252-22 | |
|-----------------------|----------------------|-------------|--|
| Width | | | |
| DMM-2251-22 | 22.5mm | 22.50 | |
| DMM-2252-22 | | | |
| DMM-2251-33 | | | |
| DMM-2252-33 | | | |
| Accessories | | | |
| PCB Terminal block | 5ES-4PL / 5ES-4PR | | |
| Terminal block/Plug | 2ESDT-04P | | |
| Terminal block/Socket | 5EH-4PL / 5EH-4PR | | |
| Earthing Plug | 0073-B001 | | |
| Blind cover | DMM-225C / DMM-TBUSC | | |
| Bus connectors | BST-112-05 | | |
| | DMM-2251-33 | DMM-2252-33 | |
| | | | |
| | DMM-2254-33 | | |
| | | | |
| | | | |



DEG / DMEN

Electronic Housing

- Electronic housings are supplied with high effective components, which is suitable for system integration.

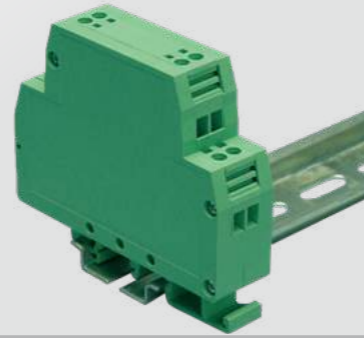
Various dimensions for customers' options:

Width of DEG series: 20mm, 22.5mm, 25mm, 30mm, 40mm, 45mm

Width of DMEN series: 12.5mm, 17.5mm, 22.5mm, 35mm

Width of DMM series: 22.5mm

- All the electronic housings are produced by engineering insulation PA materials which feature low flammability and qualified insulation levels that meet UL and IEC standards.



| Specification | | DEG-02P | DEG-04P |
|------------------------------|----------|---------|---------|
| Rated voltage | 500V | | |
| Rated current | 10A | | |
| Solid (AWG/mm ²) | 24~12 | | |
| Torque (N-m) | 0.4 | | |
| Width | | | |
| DEG-02P | 20mm | | |
| DEG-04P | 30mm | | |
| Accessories | | | |
| Terminal block/Plug | DEG-TB2P | | |

| Specification | | DEGM-03P | DEGM-06P |
|---------------------------------|---------------|----------|----------|
| Technical Data | UL IEC | | |
| Rated voltage | 300V 500V | | |
| Rated current | 12A 16A | | |
| Solid (AWG/mm ²) | 24~12 0.2~2.5 | | |
| Flexible (AWG/mm ²) | 24~12 0.2~2.5 | | |
| Rated impulse voltage | 4KV | | |
| Torque (N-m) | 0.4 | | |
| Width | | | |
| DEGM-03P | 25mm | | |
| DEGM-06P | 40mm | | |
| Accessories | | | |
| Terminal block/Plug | DEGM-TB3P | | |

| Specification | | DEGM-12P | |
|-----------------------|------------|----------|--|
| Rated voltage | 250V | | |
| Rated current | 12A | | |
| Width | | | |
| DEGM-12P | 25mm | | |
| Accessories | | | |
| Terminal block/Plug | 2EHDR-4375 | | |
| Terminal block/Socket | 2ESDV-12P | | |

| Specification | | DEGH-03P | DEGH-06P |
|------------------------------|-----------|----------|----------|
| Rated voltage | 500V | | |
| Rated current | 10A | | |
| Solid (AWG/mm ²) | 24~12 | | |
| Torque (N-m) | 0.4 | | |
| Width | | | |
| DEGH-03P | 25mm | | |
| DEGH-06P | 40mm | | |
| Accessories | | | |
| Terminal block/Plug | DEGH-TB3P | | |

| Specification | | DMUG-22 | DMUG-45 | | |
|-----------------------|---------------|---------|---------|--|--|
| Rated voltage | 250A | | | | |
| Rated current | 15A | | | | |
| Width | | | | | |
| DMUG-22 | 22.5mm | | | | |
| DMUG-45 | 40mm | | | | |
| Accessories | | | | | |
| Terminal block/Plug | 5EHDR-06P/08P | | | | |
| Terminal block/Socket | 5ESDV-06P/08P | | | | |

| Specification | | DMEN-S2P | DMEN-S3P | DMEN-S4P |
|------------------------------|-----------|----------|----------|----------|
| Rated voltage | 250V | | | |
| Rated current | 12A | | | |
| Solid (AWG/mm ²) | 28~12 | | | |
| Torque (N-m) | 0.4 | | | |
| Width | | | | |
| DMEN-S2P | 12.5mm | | | |
| DMEN-S3P | 17.5mm | | | |
| DMEN-S4P | 22.5mm | | | |
| DMEN-T2P | 12.5mm | | | |
| DMEN-T3P | 17.5mm | | | |
| DMEN-T4P | 22.5mm | | | |
| DMES-T2P | 12.5mm | | | |
| DEGM-12P | 25mm | | | |
| Accessories | | | | |
| Earthing Plug | 0073-B001 | | | |

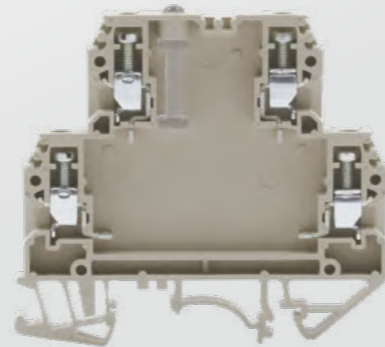
| Specification | | DMEN-T2P | DMEN-T3P | DMEN-T4P | DMES-T2P | | | | |
|---------------|--|----------|----------|----------|----------|--|--|--|--|
| | | | | | | | | | |
| | | | | | | | | | |
| | | | | | | | | | |
| | | | | | | | | | |


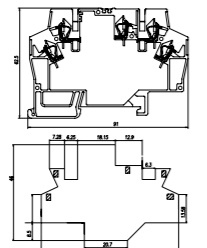
*NO Earthing Plug


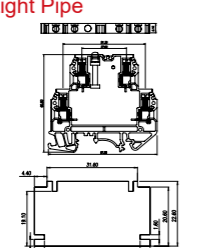
DMER

Component Housing

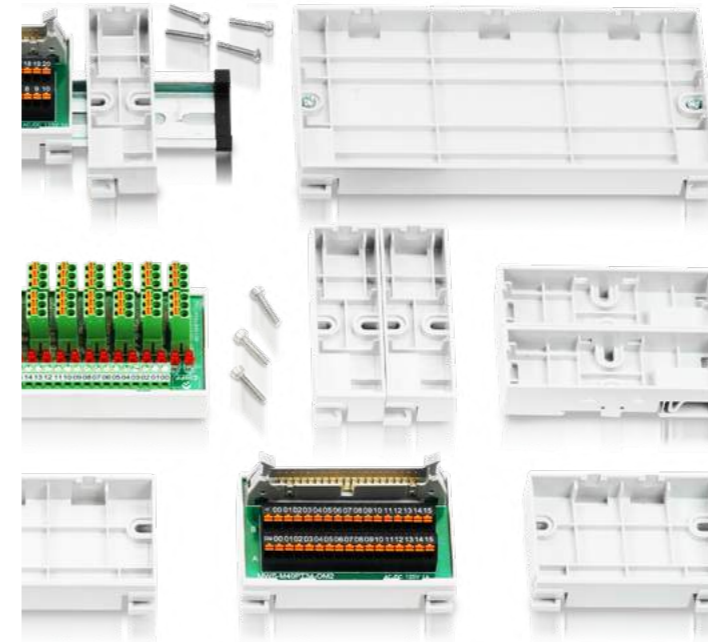
- DMER series housing is designed for DIN Rail installation with an external thickness of 6.0~6.2 mm, internal thickness at 4.1~5.2mm and large internal space which is suitable for various components assembly requirement.
- The housings feature a compact structure which allows large PCB to be installed in the limited space
- UL 94-V0 PA material for exceptional insulation and protection in application.
- Screw connection, spring clamp connection and push-in connection terminal block are available for options.



| Specification | | DMER-10 | |
|---------------|----------|---|---|
| Width | 6 |  |  |
| Accessories | DMER-10C | | |
| End cover | DMER-10C | | |

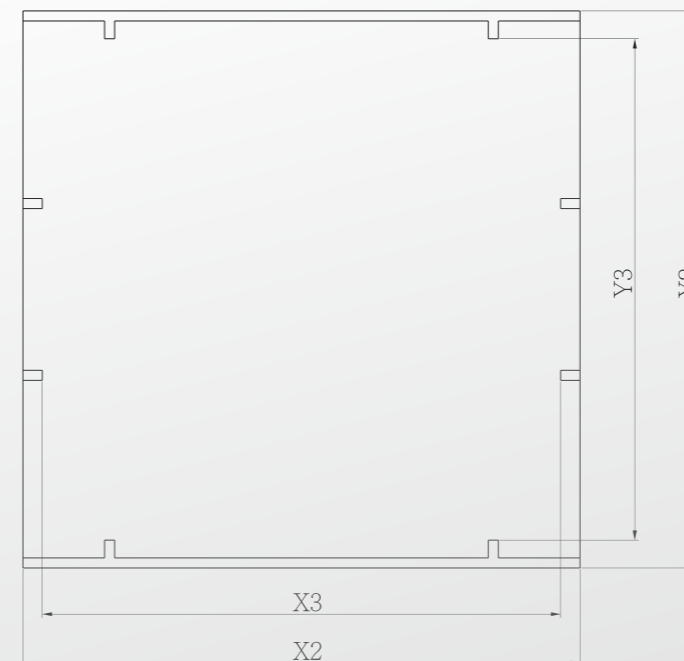
| Specification | | DMER-41 | |
|---------------------------------|-------|---|---|
| Technical Data | UL |  |  |
| Rated voltage | 300V | | |
| Rated current | 20A | | |
| Solid (AWG/mm ²) | 24~12 | *With Light Pipe | |
| Flexible (AWG/mm ²) | 24~12 | | |
| Torque (N-m) | 0.4 | | |
| Width | 6.1 | | |
| Accessories | DMERC | | |
| End cover | DMERC | | |

PCB Carrier DIN Rail/ Panel Mounting



Product advantages

- Flammability rating: UL94-V2
- Available in three commonly used widths, one-piece molding, beautiful and convenient, with strong stability.
- Each set of module racks is designed with reserved holes for panel locking, and can be used regardless of track installation without plate fixation.
- The bottom track slot is suitable for TS-35 and TS-35/15 standard DIN tracks.
- The 0040-03 series has a width of 107mm. The specially designed side wall can be installed with a label card slot, which is suitable for DINKLE TM-R110 signs.



| Part No. | PCB Dimensions | | PCB effective dimensions | |
|------------|----------------|---------|--------------------------|---------|
| | Y2 (mm) | X2 (mm) | Y3 (mm) | X3 (mm) |
| 0040-0108E | 42 | 35 | 33.9 | 34 |
| 0040-0105E | 42 | 46.8 | 32.4 | 45.8 |
| 0040-0101E | 42 | 57.5 | 33.9 | 56.5 |
| 0040-0106E | 42 | 64.8 | 33.9 | 63.8 |
| 0040-0107E | 42 | 72.8 | 33.9 | 71.8 |
| 0040-0102E | 42 | 108 | 33.9 | 107 |
| 0040-0103E | 42 | 140 | 33.9 | 139 |
| 0040-0104E | 42 | 208 | 33.9 | 207 |
| 0040-0212E | 72 | 22 | 64.9 | 17 |
| 0040-0213E | 72 | 32 | 64.9 | 27 |
| 0040-0214E | 72 | 42 | 64.9 | 37 |
| 0040-0215E | 72 | 52 | 64.9 | 47 |
| 0040-0216E | 72 | 62 | 64.9 | 57 |
| 0040-0217E | 72 | 72 | 64.9 | 67 |
| 0040-0218E | 72 | 82 | 64.9 | 77 |
| 0040-0219E | 72 | 92 | 64.9 | 87 |
| 0040-0220E | 72 | 102 | 64.9 | 97 |
| 0040-0221E | 72 | 112 | 64.9 | 107 |
| 0040-0222E | 72 | 122 | 64.9 | 117 |
| 0040-0223E | 72 | 152 | 64.9 | 147 |
| 0040-0224E | 72 | 172 | 64.9 | 167 |
| 0040-0225E | 72 | 202 | 64.9 | 197 |
| 0040-0226E | 72 | 222 | 64.9 | 217 |
| 0040-0227E | 72 | 252 | 64.9 | 247 |
| 0040-0228E | 72 | 272 | 64.9 | 267 |
| 0040-0229E | 72 | 302 | 64.9 | 297 |
| 0040-0301E | 107 | 25 | 99 | 19 |
| 0040-0302E | 107 | 35 | 99 | 29 |
| 0040-0303E | 107 | 50 | 99 | 44 |
| 0040-0305E | 107 | 75 | 99 | 69 |
| 0040-0308E | 107 | 100 | 99 | 94 |
| 0040-0311E | 107 | 125 | 99 | 119 |
| 0040-0314E | 107 | 150 | 99 | 144 |
| 0040-0316E | 107 | 175 | 99 | 169 |
| 0040-0318E | 107 | 200 | 99 | 194 |
| 0040-0320E | 107 | 225 | 99 | 219 |
| 0040-0322E | 107 | 250 | 99 | 244 |
| 0040-0324E | 107 | 275 | 99 | 269 |
| 0040-0326E | 107 | 300 | 99 | 294 |



| Part No. | PCB Dimensions | | PCB Carrier Size | | | Unit : mm | Corresponding KMR Carrier |
|------------|----------------|--------|------------------|--------|-------|-----------|---------------------------|
| | Width | Length | Width | Length | Hight | | |
| 0040-0101E | 42 | 57.5 | 47.9 | 60.5 | 17.9 | 22.4 | KMSR-0047~KMSR-0057 |
| 0040-0102E | 42 | 108 | 47.9 | 111.1 | 17.9 | 22.4 | KMSR-0072~KMSR-0108 |
| 0040-0103E | 42 | 140 | 47.9 | 143.1 | 17.9 | 22.4 | KMSR-0109~KMSR-0140 |
| 0040-0104E | 42 | 208 | 47.9 | 211.2 | 17.9 | 22.4 | KMSR-0141~KMSR-0208 |
| 0040-0105E | 42 | 46.8 | 47.9 | 49.8 | 17.9 | 22.4 | KMSR-0036~KMSR-0046 |
| 0040-0106E | 42 | 64.8 | 47.9 | 68 | 17.9 | 22.4 | KMSR-0058~KMSR-0064 |
| 0040-0107E | 42 | 72.8 | 47.9 | 76 | 17.9 | 22.4 | KMSR-0065~KMSR-0072 |
| 0040-0108E | 42 | 35 | 47.9 | 38.2 | 17.9 | 22.4 | KMSR-0031~KMSR-0035 |



| Part No. | PCB Dimensions | | PCB Carrier Size | | | Unit : mm | Corresponding KMR Carrier |
|------------|----------------|--------|------------------|--------|-------|-----------|---------------------------|
| | Width | Length | Width | Length | Hight | | |
| 0040-0212E | 72 | 22 | 77.9 | 25.2 | 17.9 | 22.4 | |
| 0040-0213E | 72 | 32 | 77.9 | 35.2 | 17.9 | 22.4 | |
| 0040-0214E | 72 | 42 | 77.9 | 45.2 | 17.9 | 22.4 | KMR-0038~KMR-0042 |
| 0040-0215E | 72 | 52 | 77.9 | 55.2 | 17.9 | 22.4 | KMR-0043~KMR-0052 |
| 0040-0216E | 72 | 62 | 77.9 | 65.2 | 17.9 | 22.4 | KMR-0053~KMR-0062 |
| 0040-0217E | 72 | 72 | 77.9 | 75.2 | 17.9 | 22.4 | KMR-0063~KMR-0072 |
| 0040-0218E | 72 | 82 | 77.9 | 85.2 | 17.9 | 22.4 | KMR-0073~KMR-0082 |
| 0040-0219E | 72 | 92 | 77.9 | 95.2 | 17.9 | 22.4 | KMR-0083~KMR-0092 |
| 0040-0220E | 72 | 102 | 77.9 | 105.2 | 17.9 | 22.4 | KMR-0093~KMR-0102 |
| 0040-0221E | 72 | 112 | 77.9 | 115.2 | 17.9 | 22.4 | KMR-0103~KMR-0112 |
| 0040-0222E | 72 | 122 | 77.9 | 125.2 | 17.9 | 22.4 | KMR-0113~KMR-0122 |
| 0040-0223E | 72 | 152 | 77.9 | 155.2 | 17.9 | 22.4 | KMR-0123~KMR-0152 |
| 0040-0224E | 72 | 172 | 77.9 | 175.2 | 17.9 | 22.4 | KMR-0153~KMR-0172 |
| 0040-0225E | 72 | 202 | 77.9 | 205.2 | 17.9 | 22.4 | KMR-0173~KMR-0202 |
| 0040-0226E | 72 | 222 | 77.9 | 225.2 | 17.9 | 22.4 | KMR-0203~KMR-0222 |
| 0040-0227E | 72 | 252 | 77.9 | 255.2 | 17.9 | 22.4 | KMR-0223~KMR-0252 |
| 0040-0228E | 72 | 272 | 77.9 | 275.2 | 17.9 | 22.4 | KMR-0253~KMR-0272 |
| 0040-0229E | 72 | 302 | 77.9 | 305.2 | 17.9 | 22.4 | KMR-0273~KMR-0302 |



| Part No. | PCB Dimensions | | PCB Carrier Size | | | Unit : mm | Corresponding KMR Carrier |
|------------|----------------|--------|------------------|--------|-------|-----------|---------------------------|
| | Width | Length | Width | Length | Hight | | |
| 0040-0301E | 107 | 25 | 115 | 28.2 | 17.9 | 22.4 | |
| 0040-0302E | 107 | 35 | 115 | 38.2 | 17.9 | 22.4 | |
| 0040-0303E | 107 | 50 | 115 | 53.2 | 17.9 | 22.4 | KMLR-0041~KMLR-0050 |
| 0040-0305E | 107 | 75 | 115 | 78.2 | 17.9 | 22.4 | KMLR-0051~KMLR-0075 |
| 0040-0308E | 107 | 100 | 115 | 103.2 | 17.9 | 22.4 | KMLR-0076~KMLR-0100 |
| 0040-0311E | 107 | 125 | 115 | 128.2 | 17.9 | 22.4 | KMLR-0101~KMLR-0125 |
| 0040-0314E | 107 | 150 | 115 | 153.2 | 17.9 | 22.4 | KMLR-0126~KMLR-0150 |
| 0040-0316E | 107 | 175 | 115 | 178.2 | 17.9 | 22.4 | KMLR-0151~KMLR-0175 |
| 0040-0318E | 107 | 200 | 115 | 203.2 | 17.9 | 22.4 | KMLR-0176~KMLR-0200 |
| 0040-0320E | 107 | 225 | 115 | 228.2 | 17.9 | 22.4 | KMLR-0201~KMLR-0225 |
| 0040-0322E | 107 | 250 | 115 | 253.2 | 17.9 | 22.4 | KMLR-0226~KMLR-0250 |
| 0040-0324E | 107 | 275 | 115 | 278.2 | 17.9 | 22.4 | KMLR-0251~KMLR-0275 |
| 0040-0326E | 107 | 300 | 115 | 303.2 | 17.9 | 22.4 | KMLR-0276~KMLR-0300 |

RYPS



Relay Socket

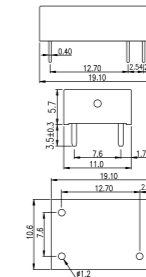
- Dinkle relay sockets allow reliable connection with the PCB relay and offer excellent soldering performance.

- Dinkle relay sockets are compatible with various brands of PCB relay in the market

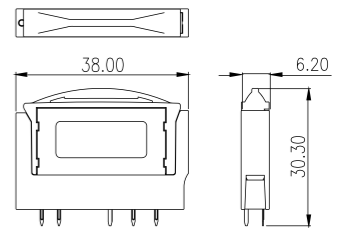
Specification

| | |
|---------------|------|
| Rated voltage | 250V |
| Rated current | 10A |

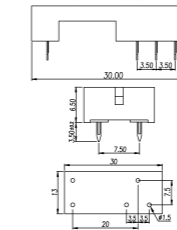
RYPSA-04N



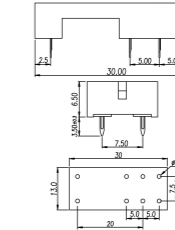
RYPSM-05F



RYPS-05N



RYPS-08N



Compatible models

| RYPSA-04N | |
|-----------------|----------------|
| OMRON | OJE-SS-124HMF |
| RYPSM-05F | |
| Hongfa | HF41F/024-ZS |
| | HF41F/060-ZS |
| RYPS-05N | |
| OMRON | G2RL-1-HA DC12 |
| TE Connectivity | RT214012 |
| | RTD14005 |
| RYPS-08N | |
| OMRON | G2R-1A-E-DC24 |
| | G2RN5112M |

KM



PCB Carrier

- KMRX series PCB carriers offer various dimensions that can accommodate PCB width of 42mm, 72mm and 107mm. The length of the carrier can be cut according to customer's requirement.

- KMRX PCB carrier set includes 4 screws for assembly.

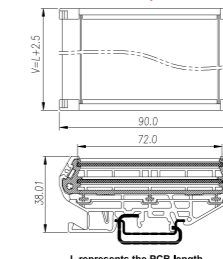
- KMRT and KMRF designs offer large PCB assembly area, which is suitable for accommodating double PCB of width 107mm.

- Dinkle PCB carriers have been widely applied in system integration and interface integration applications.

KMRT-XXXX

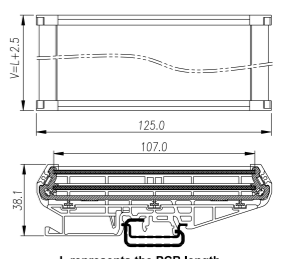


*PCB width:72mm(Bi-level)



L represents the PCB length.

KMRF-XXXX

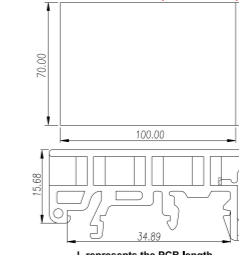


L represents the PCB length.

KMRH-K175

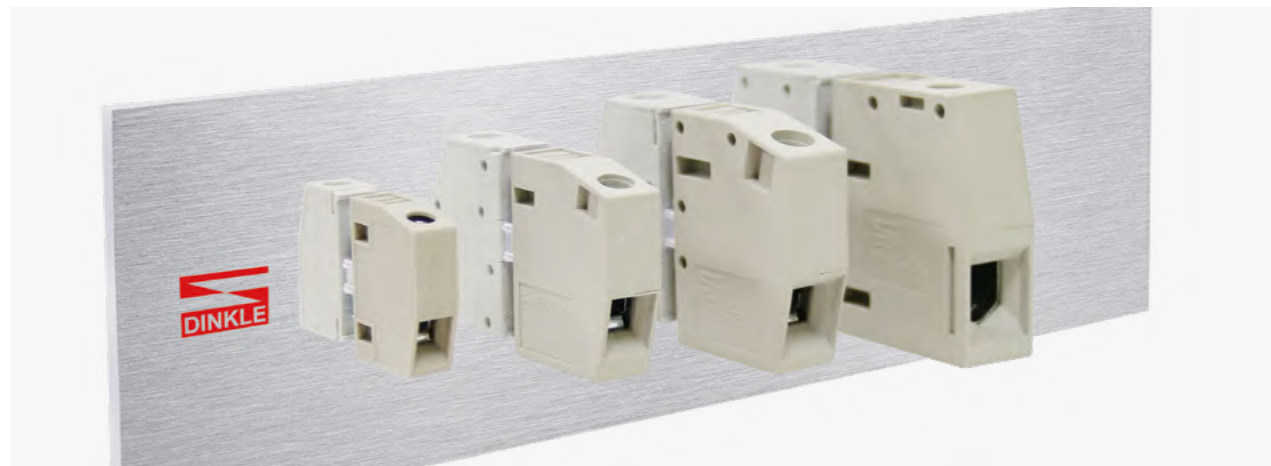


*PCB width:107mm(Bi-level)



L represents the PCB length.

Panel Feed-through Terminal Blocks





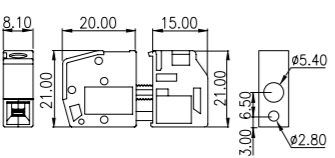
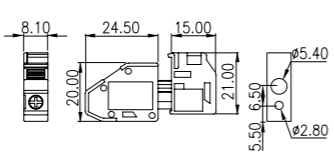
Solutions for many industrial applications: for wall thicknesses from 1 mm to 6 mm, currents up to 230A, voltages up to 630V (IEC).




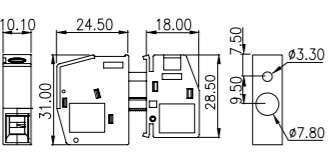
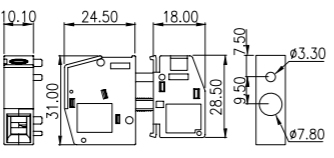
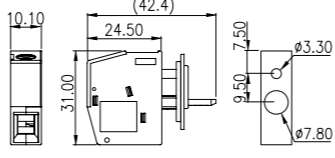
Cross section: 4~95mm²




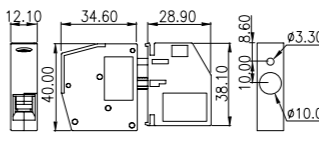
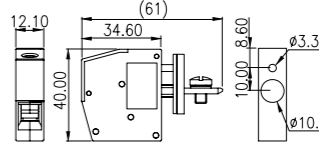
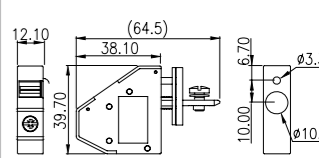
UL Rated: 300V / 30A ~ 600V / 230A


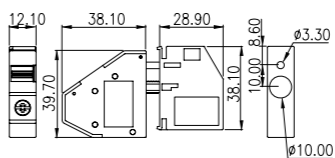
IEC Rated: 400V / 41A ~ 800V / 150A



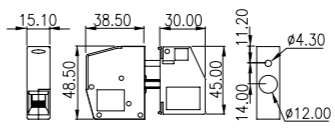
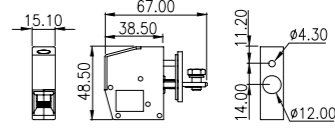
PPAC series terminal blocks are particularly useful in the field of telecommunications and power distribution. The product range also supports electrical equipment manufacturers of filters, converters, inverters, transformers, power supplies and industrial batteries.



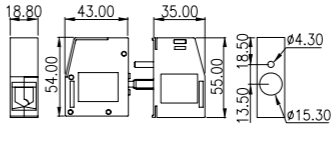
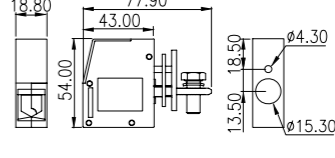
| Specification | | | PPACN-4 | | PPACNV-4 | |
|-----------------------------------|----------------------------------|-------|---|--|--|--|
| Technical Data | UL | IEC |  | |  | |
| Rated voltage | 300V | 400V | | | | |
| Rated current | 30A | 41A | | | | |
| Wire range (AWG/mm ²) | 30~10 | 0.2~6 | | | | |
| Rated impulse voltage | | 6KV | | | | |
| Torque (N-m) | 0.5~0.6 | | | | | |
| Screw | M3 | | | | | |
| Wire strip length | 9~10mm | | | | | |
| Insulating material | PA | | | | | |
| Outer dimension | T x H x W (mm) | | | | | |
| PPACN-4 | 8.1 x 21 x 20 | | | | | |
| PPACNV-4 | 8.1 x 21 x 24.5 | | | | | |
| Inner dimension | T x H x W (mm) | | | | | |
| PPACN-4 | 8.1 x 21 x 15 | | | | | |
| PPACNV-4 | 8.1 x 21 x 15 | | | | | |
| Marking label | TM44 | | | | | |
| Voltage on metal panel: | 1.0~2.5mm 400V 2.5~4.0mm 320V | |  | |  | |
| Voltage on plastic panel: | 500V | | | | | |

| Specification | | | PPACN-10 | | PPACN-10Z | | PPACN-10AS | |
|-----------------------------------|------------------------------|--------|---|--|--|--|---|--|
| Technical Data | UL | IEC |  | |  | |  | |
| Rated voltage | 300V | 400V | | | | | | |
| Rated current | 65A | 76A | | | | | | |
| Wire range (AWG/mm ²) | 24~6 | 0.5~16 | | | | | | |
| Rated impulse voltage | | 6KV | | | | | | |
| Torque (N-m) | 1.5~1.7 | | | | | | | |
| Screw | M4 | | | | | | | |
| Wire strip length | 10~11mm | | | | | | | |
| Insulating material | PA | | | | | | | |
| Outer dimension | T x H x W (mm) | | | | | | | |
| PPACN-10 | 10.1 x 31 x 24.5 | | | | | | | |
| PPACN-10Z | 10.1 x 31 x 24.5 | | | | | | | |
| PPACN-10AS | 10.1 x 31 x 24.5 | | | | | | | |
| Inner dimension | T x H x W (mm) | | | | | | | |
| PPACN-10 | 10.1 x 28.5 x 18 | | | | | | | |
| PPACN-10Z | 10.1 x 28.5 x 18 | | | | | | | |
| Marking label | TM44 | | | | | | | |
| Voltage on metal panel: | 1~2.5mm 500V 2.5~4mm 320V | |  | |  | |  | |
| Voltage on plastic panel: | 500V | | | | | | | |

| Specification | | | PPAC-16 | | PPAC-16AS | | PPACV-16AS | |
|-----------------------------------|--|--------|---|--|---|--|---|--|
| Technical Data | UL | IEC |  | |  | |  | |
| Rated voltage | 600V | 500V | | | | | | |
| Rated current | 85A | 101A | | | | | | |
| Wire range (AWG/mm ²) | 22~4 | 0.5~25 | | | | | | |
| Rated impulse voltage | | 6KV | | | | | | |
| Torque (N-m) | 2.5~3.4 | | | | | | | |
| Screw | M5 | | | | | | | |
| Wire strip length | 16~17mm | | | | | | | |
| Insulating material | PA | | | | | | | |
| Outer dimension | T x H x W (mm) | | | | | | | |
| PPAC-16 | 12.1 x 40 x 34.6 | | | | | | | |
| PPAC-16AS | 12.1 x 40 x 34.6 | | | | | | | |
| PPACV-16 | 12.1 x 39.7 x 38.1 | | | | | | | |
| PPACV-16AS | 12.1 x 39.7 x 38.1 | | | | | | | |
| Inner dimension | T x H x W (mm) | | | | | | | |
| PPAC-16 | 12.1 x 38.1 x 28.9 | | | | | | | |
| PPAC-16AS | 12.1 x 26 x 25.4 | | | | | | | |
| PPACV-16 | 12.1 x 38.1 x 28.9 | | | | | | | |
| PPACV-16AS | 10.1 x 25 x 16.9 | | | | | | | |
| Marking label | TM49 | | | | | | | |
| Voltage on Metal panel: | 1~2mm 800V 2~3mm 630V 3~6mm 500V | |  | |  | |  | |
| Voltage on Plastic panel: | 800V | | | | | | | |


| Specification | | | PPACV-16 | |
|-----------------------------------|--|-----|--|--|
| Technical Data | UL | IEC |  | |
| Rated voltage | 600V | | | |
| Rated current | | | | |
| Wire range (AWG/mm ²) | | | | |
| Rated impulse voltage | | | | |
| Torque (N-m) | | | | |
| Screw | | | | |
| Wire strip length | | | | |
| Insulating material | | | | |
| Outer dimension | T x H x W (mm) | | | |
| PPACV-16 | 12.1 x 38.1 x 28.9 | | | |
| Inner dimension | T x H x W (mm) | | | |
| PPACV-16 | 12.1 x 38.1 x 28.9 | | | |
| Marking label | TM49 | | | |
| Voltage on Metal panel: | 1~2mm 800V 2~3mm 630V 3~6mm 500V | |  | |
| Voltage on Plastic panel: | 800V | | | |

| Specification | | | PPAC-25 | | PPAC-25AS | |
|-----------------------------------|--------------------------|------|---|--|---|--|
| Technical Data | UL | IEC |  | |  | |
| Rated voltage | 600V | 800V | | | | |
| Rated current | 115A | 125A | | | | |
| Wire range (AWG/mm ²) | 8~2 | 6~35 | | | | |
| Rated impulse voltage | | 6KV | | | | |
| Torque (N-m) | 3.4~3.9 | | | | | |
| Screw | M5 | | | | | |
| Wire strip length | 19~20mm | | | | | |
| Insulating material | PA | | | | | |
| Outer dimension | T x H x W (mm) | | | | | |
| PPAC-25 | 15.1 x 48.5 x 38.5 | | | | | |
| PPAC-25AS | 15.1 x 48.5 x 38.5 | | | | | |
| PPAC-25MAS | 15.1 x 71 x 38.5 | | | | | |
| Inner dimension | T x H x W (mm) | | | | | |
| PPAC-25 | 15.1 x 45 x 30 | | | | | |
| PPAC-25AS | 15.1 x 33.3 x 27.5 | | | | | |
| PPAC-25MAS | 15.1 x 33.3 x 27.5 | | | | | |
| Marking label | TM49 | | | | | |
| Voltage on metal panel: | 1~5mm 800V 5~6mm 630V | |  | |  | |
| Voltage on plastic panel: | 800V | | | | | |

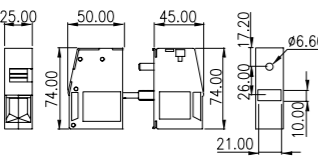
| Specification | | | PPAC-50 | | PPAC-50AS | |
|-----------------------------------|--------------------------|-------|---|--|---|--|
| Technical Data | UL | IEC |  | |  | |
| Rated voltage | 600V | 800V | | | | |
| Rated current | 150A | 150A | | | | |
| Wire range (AWG/mm ²) | 6~1/0 | 16~50 | | | | |
| Rated impulse voltage | | 8KV | | | | |
| Torque (N-m) | 5.9~6 | | | | | |
| Screw | M6 | | | | | |
| Wire strip length | 24~25mm | | | | | |
| Insulating material | PA | | | | | |
| Outer dimension | T x H x W (mm) | | | | | |
| PPAC-50 | 18.8 x 54 x 43 | | | | | |
| PPAC-50AS | 18.8 x 54 x 43 | | | | | |
| PPAC-50M | 18.8 x 78 x 43 | | | | | |
| Inner dimension | T x H x W (mm) | | | | | |
| PPAC-50 | 18.8 x 55 x 35 | | | | | |
| PPAC-50AS | 18.8 x 37 x 33.9 | | | | | |
| PPAC-50M | 18.8 x 55 x 35 | | | | | |
| Marking label | TM49 | | | | | |
| Voltage on metal panel: | 1~5mm 800V 5~6mm 630V | |  | |  | |
| Voltage on plastic panel: | 800V | | | | | |

| Specification | | |
|---|----------------|-------|
| Technical Data | UL | IEC |
| Rated voltage | 600V | 630V |
| Rated current | 230A | 232A |
| Wire range (AWG/mm ²) | 4~4/0 | 25~95 |
| Rated impulse voltage | 8kV | |
| Torque (N·m) | 14.7~15 | |
| Screw | M8 | |
| Wire strip length | 27~28mm | |
| Insulating material | PA | |
| Outer dimension | T x H x W (mm) | |
| PPAC-95 | 25 x 74 x 50 | |
| PPAC-95MAS | 25 x 100 x 50 | |
| Inner dimension | T x H x W (mm) | |
| PPAC-95 | 25 x 74 x 45 | |
| PPAC-95MAS | 25 x 50 x 40.5 | |
| Marking label | TM49 | |
| Voltage on metal panel: 1~2.5mm 1000V 2.5~5mm 800V 5~6mm 630V | | |
| Voltage on plastic panel: 1000V | | |


PPAC-95



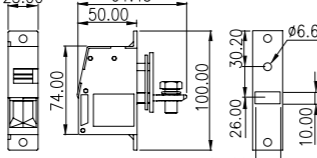
600V



PPAC-95MAS


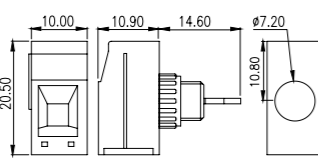


Metal panel: 1~5mm 630V
5~6mm 500V
Plastic panel: 630V

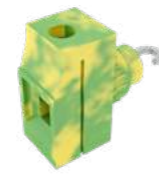
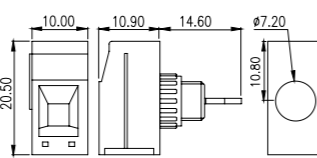


| Specification | | |
|--|------------------|-------|
| Technical Data | UL | IEC |
| Rated voltage | 300V | 400V |
| Rated current | 30A | 41A |
| Wire range (AWG/mm ²) | 30~10 | 0.2~6 |
| Rated impulse voltage | 6kV | |
| Torque (N·m) | 0.5~0.8 | |
| Screw | M3 | |
| Wire strip length | 9~10mm | |
| Insulating material | PA | |
| Outer dimension | T x H x W (mm) | |
| PPAC-4SS | 10 x 20.5 x 25.5 | |
| PPAC-4SSG | 10 x 20.5 x 25.5 | |
| Voltage on metal panel: 1~3mm 400V Voltage on plastic panel: 1~3mm 500V 3.5~4.0mm 400V | | |

PPAC-4SS


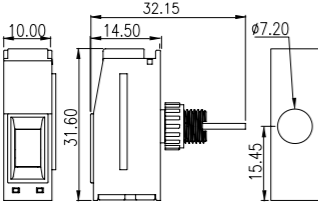



PPAC-4SSG


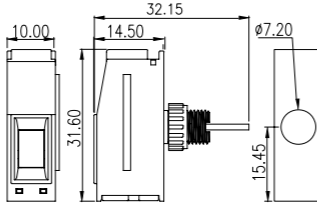



| Specification | | |
|--|-------------------|--------|
| Technical Data | UL | IEC |
| Rated voltage | 300V | 630V |
| Rated current | 65A | 57A |
| Wire range (AWG/mm ²) | 22~6 | 0.2~10 |
| Rated impulse voltage | 6kV | |
| Torque (N·m) | 1.2~1.5 | |
| Screw | M4 | |
| Wire strip length | 11~12 | |
| Insulating material | PA | |
| Outer dimension | T x H x W (mm) | |
| PPAC-10SS | 10 x 31.6 x 32.15 | |
| PPAC-10SSG | 10 x 31.6 x 32.15 | |
| Voltage on thickness: 1~2mm 630V 2.1~3mm 500V 3.1~4mm 400V | | |

PPAC-10SS


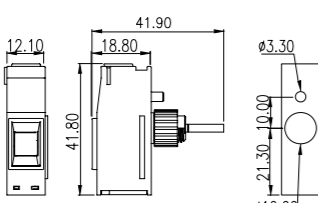



PPAC-10SSG


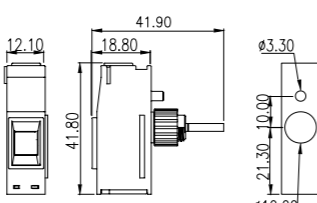



| Specification | | |
|--|--------------------|--------|
| Technical Data | UL | IEC |
| Rated voltage | 300V | 630V |
| Rated current | 85A | 76A |
| Wire range (AWG/mm ²) | 22~4 | 0.2~16 |
| Rated impulse voltage | 6kV | |
| Torque (N·m) | 2.7~2.8 | |
| Screw | M5 | |
| Wire strip length | 14~15 | |
| Insulating material | PA | |
| Outer dimension | T x H x W (mm) | |
| PPAC-16SS | 12.1 x 41.8 x 41.9 | |
| PPAC-16SSG | 12.1 x 41.8 x 41.9 | |
| Voltage on thickness: 1~2mm 800V 2.1~4mm 630V | | |

PPAC-16SS


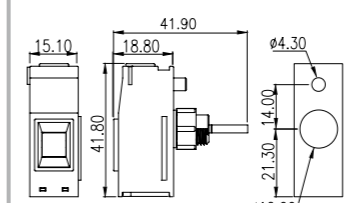



PPAC-16SSG


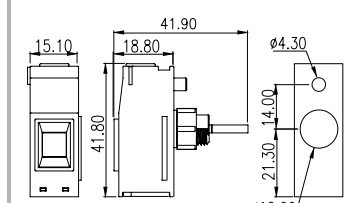
| Specification | | |
|--|------------------|--------|
| Technical Data | UL | IEC |
| Rated voltage | 300V | 800V |
| Rated current | 85A | 101A |
| Wire range (AWG/mm ²) | 22~4 | 0.2~25 |
| Rated impulse voltage | 8kV | |
| Torque (N·m) | 2~2.5 | |
| Screw | M5 | |
| Wire strip length | 14~15 | |
| Insulating material | PA | |
| Outer dimension | T x H x W (mm) | |
| PPAC-4SS | 10 x 20.5 x 25.5 | |
| Voltage on thickness: 1~3mm 800V 3.1~5mm 630V | | |

PPAC-25SS

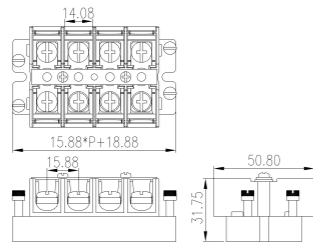
| Specification | | |
|--|------------------|--------|
| Technical Data | UL | IEC |
| Rated voltage | 300V | 800V |
| Rated current | 85A | 101A |
| Wire range (AWG/mm ²) | 22~4 | 0.2~25 |
| Rated impulse voltage | 8kV | |
| Torque (N·m) | 2~2.5 | |
| Screw | M5 | |
| Wire strip length | 14~15 | |
| Insulating material | PA | |
| Outer dimension | T x H x W (mm) | |
| PPAC-4SS | 10 x 20.5 x 25.5 | |
| Voltage on thickness: 1~3mm 800V 3.1~5mm 630V | | |

PPAC-25SS

15.88mm**0113-22XX**

| Technical Data | UL | IEC |
|-----------------------------------|------------|---------------|
| Rated voltage | 300V | 800V |
| Rated current | 60A | 76A |
| Wire range (AWG/mm ²) | 22~6 (O&Y) | 0.34~16 (O&Y) |
| Rated impulse voltage | | 8kV |
| Torque (N·m) | 2~2.5 | |
| Wire strip length | 13~14 | |
| Number of Positions | | |
| 02~08P | | |



Barrier type terminal blocks

Barrier type terminal blocks are screw connection electrical connectors that connect multiple circuits to one another. Clamp the wire to the metal part with the locking screw. Each wiring structure is separated by the insulation barrier.

Barrier terminal blocks are designed for electrical applications and can be fitted with a transparent safety cover. When using, it should be noted that the wires do not exceed the barriers, which can prevent electrical short-circuits between positions on the same contact and between adjacent components.

The design generally is supplied in 5 categories: double-barrier, triple-barrier, triple-barrier in double levels, pluggable type and panel feed-through. Each type of barrier is available in a variety of industry standard centerline spacings, which allowing you to choose from high density to high current applications. Double and triple barriers are very similar in that they can both be used in PCB or panel mount applications.



Double-barrier, single row



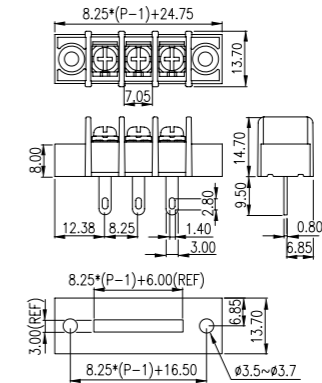
The double barrier in single row terminal blocks offer pitches from 7.62mm~16mm and options of various terminal pin designs that are suitable for voltage ratings 150V/15A~600V/65A.

The product range provide a wide variety of screw, terminal and mounting options, fitting a multitude of applications.

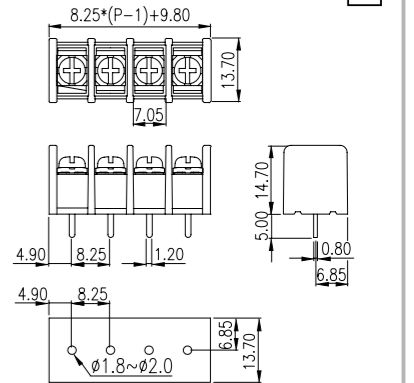
8.25mm

| Technical Data | | UL | |
|-----------------------|----------------------|------|--|
| UL use group | B/C | D | |
| Rated voltage | 300V/150V | 300V | |
| Rated current | 20A | 10A | |
| Wire range (AWG) | 22~12 | | |
| Withstand voltage | AC2000V / 1 minute | | |
| Insulation resistance | ≥500MΩ / DC 500V | | |
| Housing | PA66, UL94-V0, black | | |
| Terminal | Brass, Tin plated | | |
| Screw | M3, Steel, Ni plated | | |
| Torque value (N-m) | 0.5~1.4 | | |
| Operating temperature | -40°C ~ +120°C | | |
| Wiring type | FW2 | | |
| Number of Positions | | | |
| DT-35-A02W-XX | 02~31P | | |
| DT-35-B01W-XX | 02~33P | | |

DT-35-A02W-XX



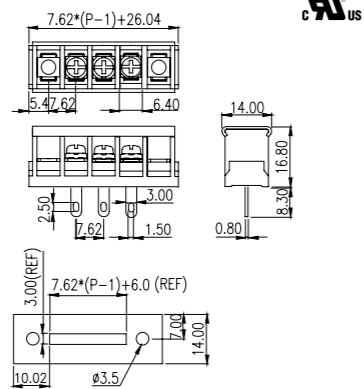
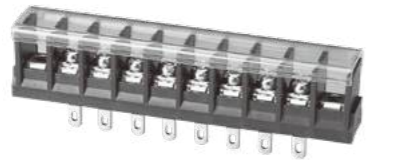
DT-35-B01W-XX



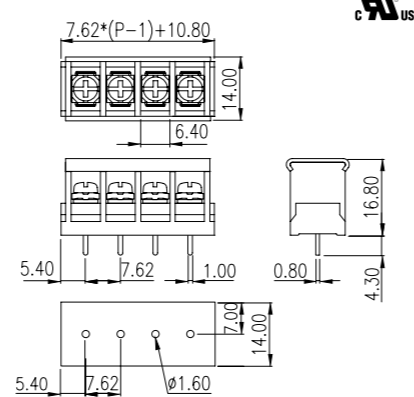
7.62mm

| Technical Data | | UL | |
|-----------------------|----------------------|-------------|--|
| UL use group | B | D <td></td> | |
| Rated voltage | 300V | 300V | |
| Rated current | 15A | 10A | |
| Wire range (AWG) | 24~14 | | |
| Withstand voltage | AC2000V / 1 minute | | |
| Insulation resistance | ≥1000MΩ / DC 500V | | |
| Housing | PBT, UL94-V0, black | | |
| Terminal | Brass, Tin plated | | |
| Screw | M3, Steel, Ni plated | | |
| Torque value (N-m) | 0.8 | | |
| Operating temperature | -40°C ~ +130°C | | |
| Wiring type | FW2 | | |
| Number of Positions | | | |
| DT-2G-A02W-XX | 02~26P | | |
| DT-2G-B01W-XX | 02~28P | | |
| DT-2G-B14W-XX | | | |

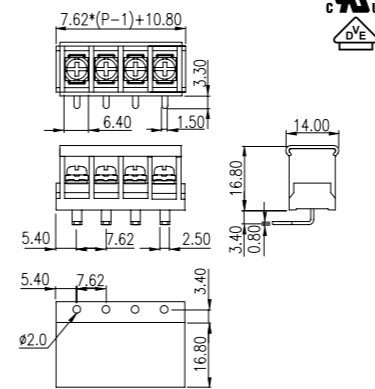
DT-2G-A02W-XX



DT-2G-B01W-XX



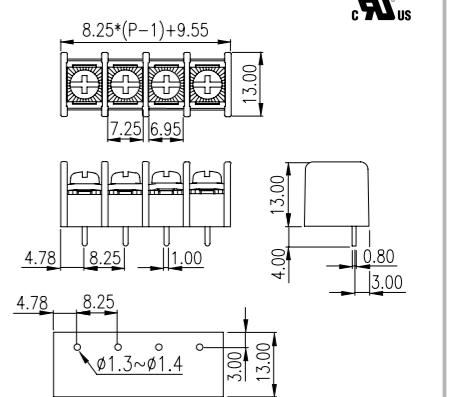
DT-2G-B14W-XX



8.25mm

| Technical Data | | UL | |
|-----------------------|-------------------------|------|--|
| UL use group | B / C | D | |
| Rated voltage | 300V / 150V | 300V | |
| Rated current | 20A | 10A | |
| Wire range (AWG) | 22~12 | | |
| Withstand voltage | AC2000V / 1 minute | | |
| Insulation resistance | ≥500MΩ / DC 500V | | |
| Housing | PA66, UL94-V0, black | | |
| Terminal | Brass, Tin plated | | |
| Screw | #6-32, Steel, Ni plated | | |
| Torque value (N-m) | 1 | | |
| Operating temperature | -40°C ~ +105°C | | |
| Wiring type | FW2 | | |
| Number of Positions | | | |
| 02~30P | | | |

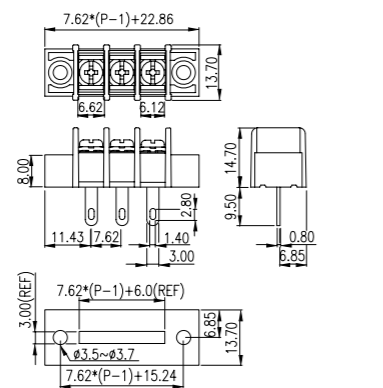
DT-31-B01W-XX



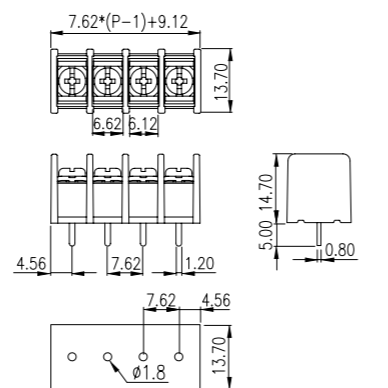
7.62mm

| Technical Data | | UL | |
|-----------------------|----------------------|------|--|
| UL use group | B / C | D | |
| Rated voltage | 300V / 150V | 300V | |
| Rated current | 15A | 15A | |
| Wire range (AWG) | 22~14 | | |
| Withstand voltage | AC2000V / 1 minute | | |
| Insulation resistance | ≥500MΩ / DC 500V | | |
| Housing | PA66, UL94-V0, black | | |
| Terminal | Brass, Tin plated | | |
| Screw | M3, Steel, Ni plated | | |
| Torque value (N-m) | 0.5~1.4 | | |
| Operating temperature | -40°C ~ +120°C | | |
| Wiring type | FW2 | | |
| Number of Positions | | | |
| DT-25-A02W-XX | 02~31P | | |
| DT-25-B01W-XX | | | |
| DT-25-B07W-XX | 02~33P | | |
| DT-25-B14W-XX | | | |

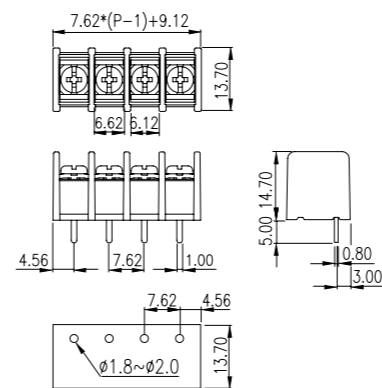
DT-25-A02W-XX



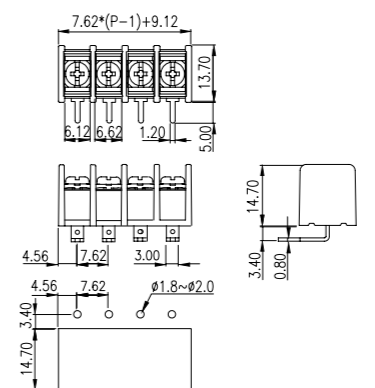
DT-25-B01W-XX



DT-25-B07W-XX



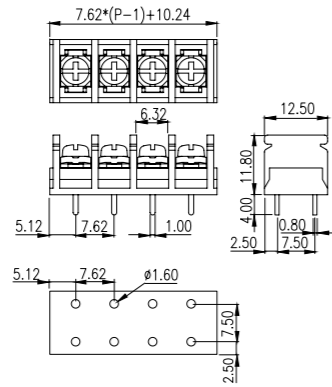
DT-25-B14W-XX



7.62mm

0186-10XX

| Technical Data | | UL | |
|-----------------------|----------------------|------|--|
| UL use group | B | D | |
| Rated voltage | 300V | 300V | |
| Rated current | 10A | 10A | |
| Wire range (AWG) | 22-16 | | |
| Withstand voltage | AC2000V / 1 minute | | |
| Insulation resistance | ≥1000MΩ / DC 500V | | |
| Housing | PBT(G15), black | | |
| Terminal | Brass, Tin plated | | |
| Screw | M3, Steel, Ni plated | | |
| Torque value (N-m) | 0.8 | | |
| Operating temperature | -40°C ~ +130°C | | |
| Wiring type | FW2 | | |

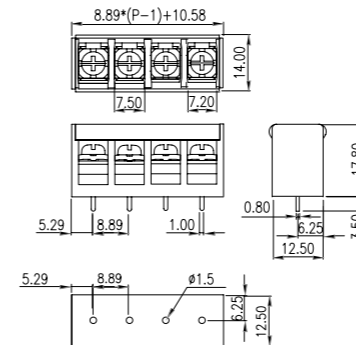


8.89mm

| Technical Data | | UL | |
|-----------------------|------------------------|------|--|
| UL use group | B | D | |
| Rated voltage | 300V | 300V | |
| Rated current | 15A | 15A | |
| Wire range (AWG) | 22-12 | | |
| Withstand voltage | AC2000V / 1 minute | | |
| Insulation resistance | ≥1000MΩ / DC 500V | | |
| Housing | PBT, UL94-V0, black | | |
| Terminal | Brass, Tin plated | | |
| Screw | M3.5, Steel, Ni plated | | |
| Torque value (N-m) | 0.8-1 | | |
| Operating temperature | -40°C ~ +130°C | | |
| Wiring type | FW2 | | |

Number of Positions
02-17P

DT-3C-B01W-XX

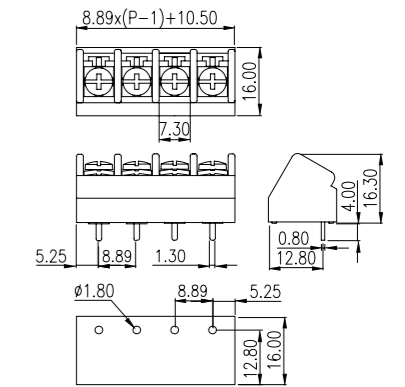
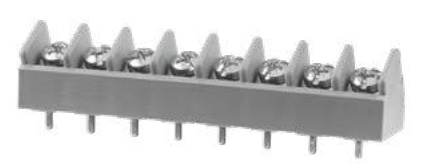


8.89mm

| Technical Data | | UL | |
|-----------------------|----------------------|------|--|
| UL use group | B / C | D | |
| Rated voltage | 300V / 150V | 300V | |
| Rated current | 15A | 10A | |
| Wire range (AWG) | 22-14 | | |
| Withstand voltage | AC2000V / 1 minute | | |
| Insulation resistance | ≥1000MΩ / DC 500V | | |
| Housing | PBT, UL94-V0, blue | | |
| Terminal | Brass, Tin plated | | |
| Screw | M3, Brass, Ni plated | | |
| Torque value (N-m) | 0.8 | | |
| Operating temperature | -40°C ~ +130°C | | |
| Wiring type | FW2 | | |

Number of Positions
02-26P

DT-89-B01W-XX



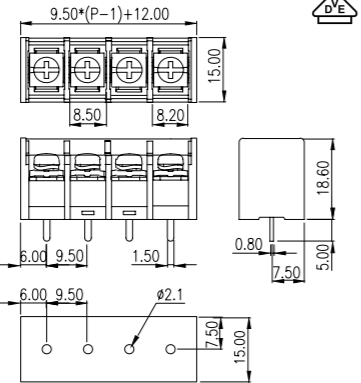
9.5mm

DT-4C-B01W-XX

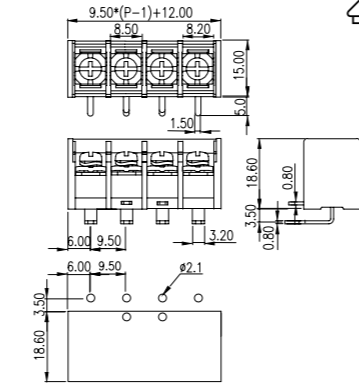
| Technical Data | | UL | |
|-----------------------|------------------------|------|--|
| UL use group | B | D | |
| Rated voltage | 300V | 300V | |
| Rated current | 20A | 10A | |
| Wire range (AWG) | 22-12 | | |
| Withstand voltage | AC2000V / 1 minute | | |
| Insulation resistance | ≥1000MΩ / DC 500V | | |
| Housing | PBT, UL94-V0, black | | |
| Terminal | Brass, Tin plated | | |
| Screw | M3.5, Steel, Ni plated | | |
| Torque value (N-m) | 1.1 | | |
| Operating temperature | -40°C ~ +130°C | | |
| Wiring type | FW2 | | |

Number of Positions
02-25P

* UG:C Class 300V 20A



DT-4C-B14W-XX

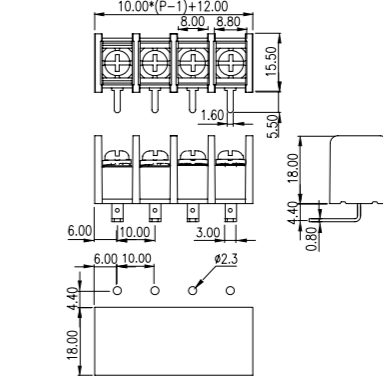


10.00mm

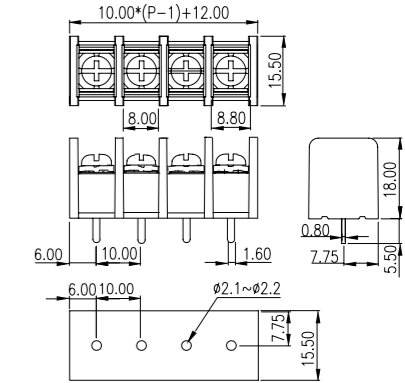
DT-55-B14W-XX

| Technical Data | | UL | |
|-----------------------|------------------------|------|--|
| UL use group | B/C | D | |
| Rated voltage | 300V/150V | 300V | |
| Rated current | 25A | 10A | |
| Wire range (AWG) | 22-12 | | |
| Withstand voltage | AC2000V / 1 minute | | |
| Insulation resistance | ≥500MΩ / DC 500V | | |
| Housing | PA66, UL94-V0, black | | |
| Terminal | Brass, Tin plated | | |
| Screw | M3.5, Brass, Ni plated | | |
| Torque value (N-m) | 1.8 | | |
| Operating temperature | -40°C ~ +120°C | | |
| Wiring type | FW2 | | |

Number of Positions
02-30P



DT-55-B01W-XX

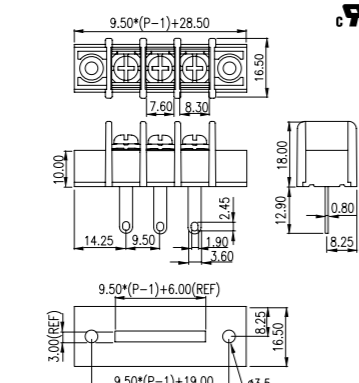


9.5mm

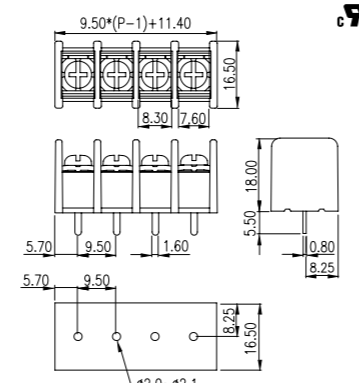
DT-45-A02W-XX

| Technical Data | | UL | |
|-----------------------|------------------------|------|--|
| UL use group | B/C | D | |
| Rated voltage | 300V/150V | 300V | |
| Rated current | 25A | 10A | |
| Wire range (AWG) | 22-12 | | |
| Withstand voltage | AC2000V / 1 minute | | |
| Insulation resistance | ≥500MΩ / DC 500V | | |
| Housing | PA66, UL94-V0, black | | |
| Terminal | Brass, Tin plated | | |
| Screw | M3.5, Steel, Ni plated | | |
| Torque value (N-m) | 1.4 | | |
| Operating temperature | -40°C ~ +120°C | | |
| Wiring type | FW2 | | |

Number of Positions
DT-45-A02W-XX 02-28P
DT-45-B01W-XX 02-30P



DT-45-B01W-XX

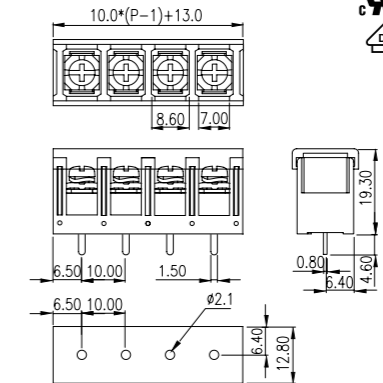


10.00mm

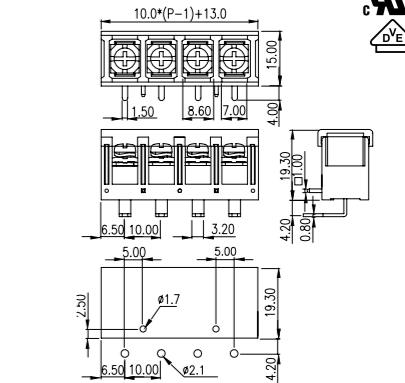
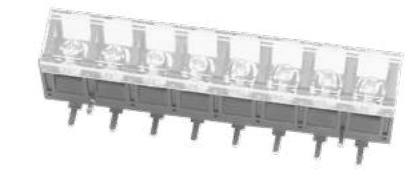
DT-5C-B81W-XX

| Technical Data | | UL | |
|-----------------------|------------------------|------|--|
| UL use group | B/C | D | |
| Rated voltage | 300V | 300V | |
| Rated current | 20A | 10A | |
| Wire range (AWG) | 22-14 | | |
| Withstand voltage | AC2200V / 1 minute | | |
| Insulation resistance | ≥1000MΩ / DC 500V | | |
| Housing | PBT, UL94-V0, black | | |
| Terminal | Brass, Tin plated | | |
| Screw | M3.5, Steel, Ni plated | | |
| Torque value (N-m) | 1.1 | | |
| Operating temperature | -40°C ~ +130°C | | |
| Wiring type | FW2 | | |

Number of Positions
02-30P



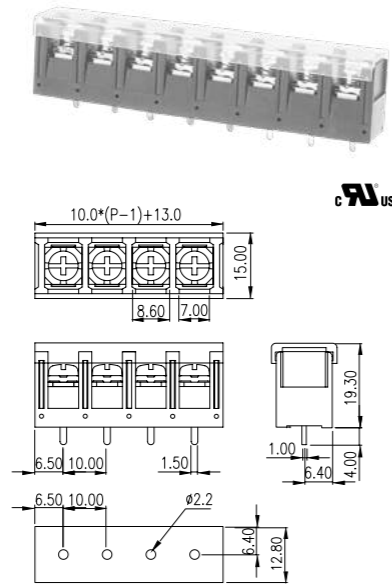
DT-5C-B84W-XX



10.00mm

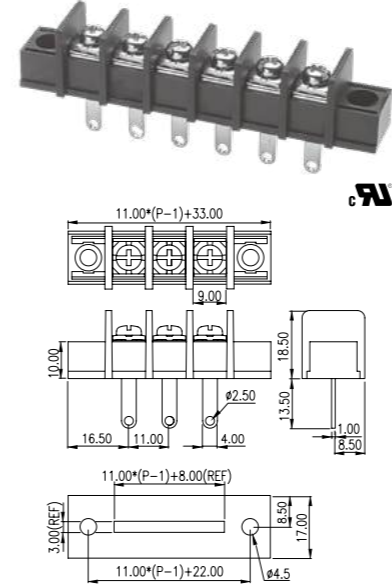
DT-5C-B01W-XX

| Technical Data | | UL | |
|-----------------------|----------------------|--------|--|
| UL use group | B/C | D | |
| Rated voltage | 300V | 300V | |
| Rated current | 20A | 10A | |
| Wire range (AWG) | 22-14 | | |
| Withstand voltage | AC2200V / 1 minute | | |
| Insulation resistance | ≥1000MΩ / DC 500V | | |
| Housing | PBT, UL94-V0, black | | |
| Terminal | Brass, Tin plated | | |
| Screw | M4, Steel, Ni plated | | |
| Torque value (N-m) | 1.1 | | |
| Operating temperature | -40°C ~ +130°C | | |
| Wiring type | FW2 | | |
| Number of Positions | | 02-30P | |

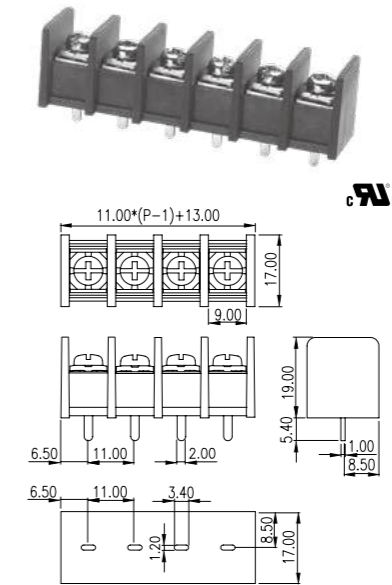


11.00mm

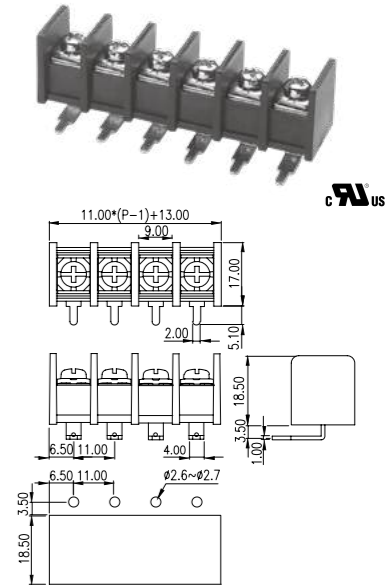
| Technical Data | | UL | |
|-----------------------|----------------------|--------|--|
| UL use group | B/C | D | |
| Rated voltage | 300V/150V | 300V | |
| Rated current | 25A | 10A | |
| Wire range (AWG) | 22-12 | | |
| Withstand voltage | AC2000V / 1 minute | | |
| Insulation resistance | ≥500MΩ / DC 500V | | |
| Housing | PA66, UL94-V0, black | | |
| Terminal | Brass, Tin plated | | |
| Screw | M4, Steel, Ni plated | | |
| Torque value (N-m) | 1.8 | | |
| Operating temperature | -40°C ~ +120°C | | |
| Wiring type | FW2 | | |
| Number of Positions | | 02-24P | |
| DT-65-A02W-XX | | 02-24P | |
| DT-65-B01W-XX | | 02-26P | |
| DT-65-B14W-XX | | 02-26P | |



DT-65-B01W-XX



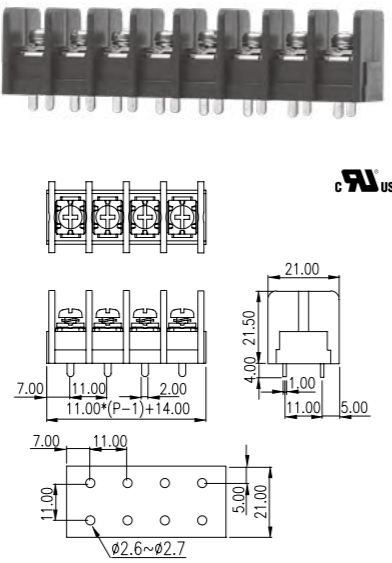
DT-65-B14W-XX



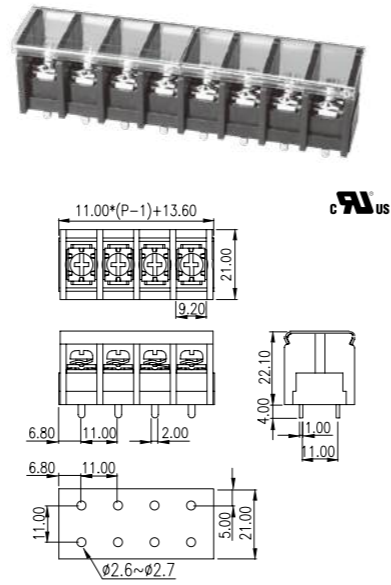
11.00mm

DT-66-B01W-XX

| Technical Data | | UL | |
|-----------------------|----------------------|--------|--|
| UL use group | B/C | D | |
| Rated voltage | 300V | 600V | |
| Rated current | 40A | 5A | |
| Wire range (AWG) | 18-8 | | |
| Withstand voltage | AC2000V / 1 minute | | |
| Insulation resistance | ≥1000MΩ / DC 500V | | |
| Housing | PBT, UL94-V0, black | | |
| Terminal | Copper, Tin plated | | |
| Screw | M4, Steel, Ni plated | | |
| Torque value (N-m) | 1.8 | | |
| Operating temperature | -40°C ~ +130°C | | |
| Wiring type | FW2 | | |
| Number of Positions | | 02-26P | |
| DT-66-B01W-XX | | 02-26P | |
| DT-66-C01W-XX | | 02-24P | |



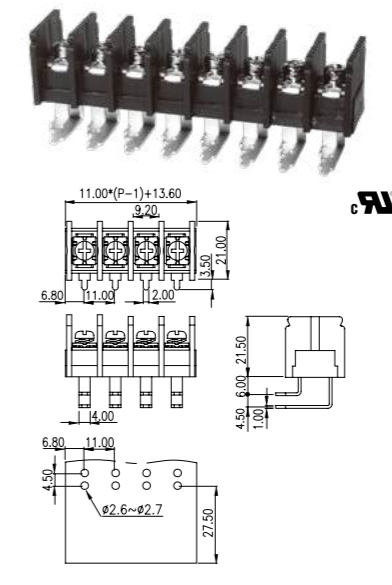
DT-66-C01W-XX



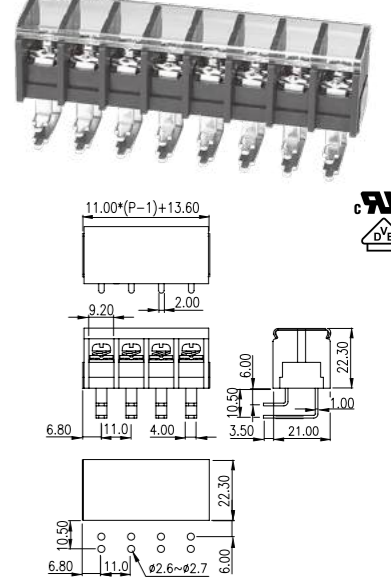
11.00mm

DT-66-B11W-XX

| Technical Data | | UL | |
|-----------------------|----------------------|--------|--|
| UL use group | B | D | |
| Rated voltage | 300V | 300V | |
| Rated current | 40A | 10A | |
| Wire range (AWG) | 18-8 | | |
| Withstand voltage | AC2500V / 1 minute | | |
| Insulation resistance | ≥1000MΩ / DC 500V | | |
| Housing | PBT, UL94-V0, black | | |
| Terminal | Brass, Tin plated | | |
| Screw | M4, Steel, Ni plated | | |
| Torque value (N-m) | 1.8 | | |
| Operating temperature | -40°C ~ +130°C | | |
| Wiring type | FW2 | | |
| Number of Positions | | 02-24P | |



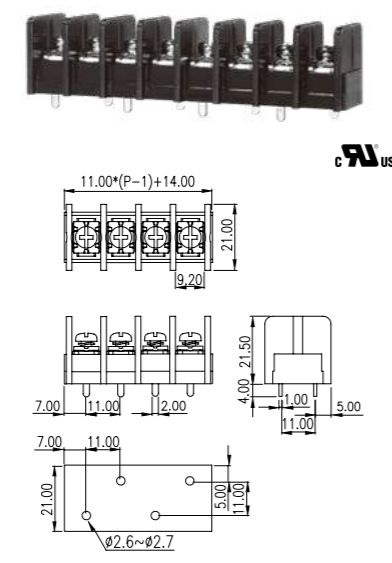
DT-66-C11W-XX



11.00mm

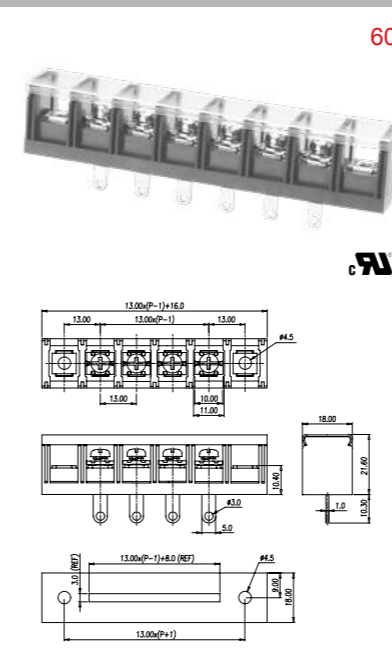
DT-66-B02W-XX

| Technical Data | | UL | |
|-----------------------|----------------------|--------|--|
| UL use group | B | C | |
| Rated voltage | 600V | 600V | |
| Rated current | 40A | 40A | |
| Wire range (AWG) | 18-8 | | |
| Withstand voltage | AC2000V / 1 minute | | |
| Insulation resistance | ≥1000MΩ / DC 500V | | |
| Housing | PBT, UL94-V0, black | | |
| Terminal | Copper, Tin plated | | |
| Screw | M4, Steel, Ni plated | | |
| Torque value (N-m) | 1.8 | | |
| Operating temperature | -40°C ~ +130°C | | |
| Wiring type | FW2 | | |
| Number of Positions | | 02-24P | |

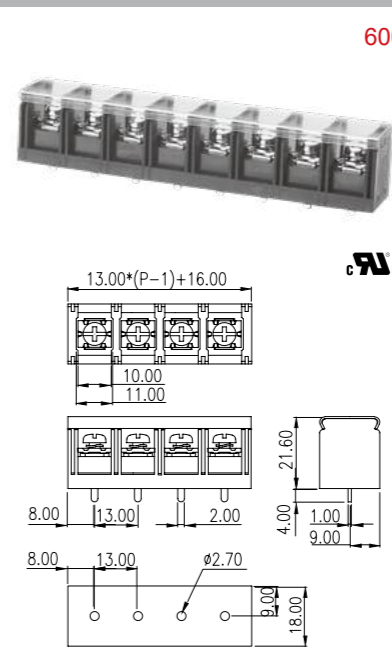


13.00mm

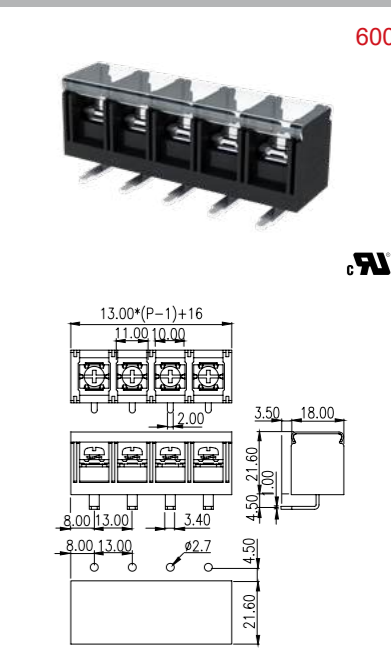
| Technical Data | | UL | |
|-----------------------|----------------------|--------|--|
| UL use group | B/C | D | |
| Rated voltage | 600V | 600V | |
| Rated current | 40A | 5A | |
| Wire range (AWG) | 18-8 | | |
| Withstand voltage | AC2500V / 1 minute | | |
| Insulation resistance | ≥1000MΩ / DC 500V | | |
| Housing | PBT, UL94-V0, black | | |
| Terminal | Brass, Tin plated | | |
| Screw | M4, Steel, Ni plated | | |
| Torque value (N-m) | 1.6 | | |
| Operating temperature | -40°C ~ +130°C | | |
| Wiring type | FW2 | | |
| Number of Positions | | 02-12P | |
| DT-7C-A02W-XX | | 02-12P | |
| DT-7C-B01W-XX | | 02-14P | |
| DT-7C-B18W-XX | | 02-14P | |



DT-7C-B01W-XX



DT-7C-B18W-XX



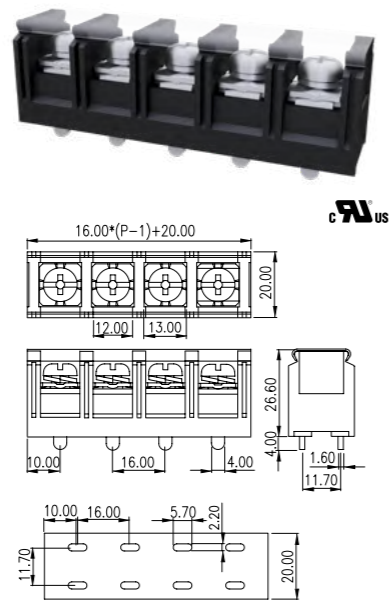
* UG: B&C Class 300V
D Class 600V

16.00mm

0032-11XX

600V

| Technical Data | | UL | |
|-----------------------|----------------------|------|------|
| UL use group | B/C | B/C | B/C |
| Rated voltage | 600V | 600V | 600V |
| Rated current | 50A | 80A | 80A |
| Wire range (AWG) | 14~8 | 6~4 | 6~4 |
| Withstand voltage | AC3000V / 1 minute | | |
| Insulation resistance | ≥1000MΩ / DC 500V | | |
| Housing | PBT, UL94-V0, black | | |
| Terminal | Copper, Tin plated | | |
| Screw | M6, Steel, Ni plated | | |
| Torque value (N-m) | 3.1 | | |
| Operating temperature | -40°C ~ +130°C | | |
| Wiring type | FW2 | | |
| Number of Positions | | | |
| 02~10P | | | |



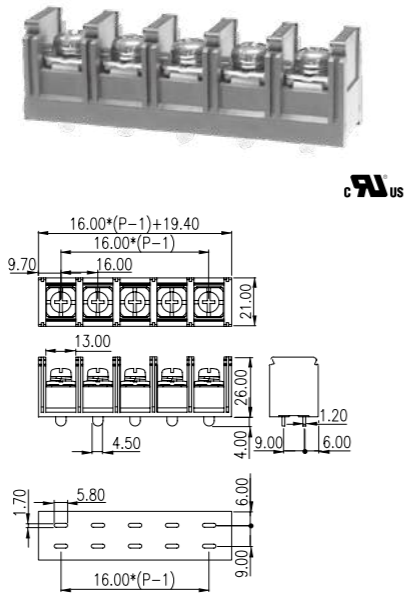
cULus

16.00mm

0166-80XX

600V

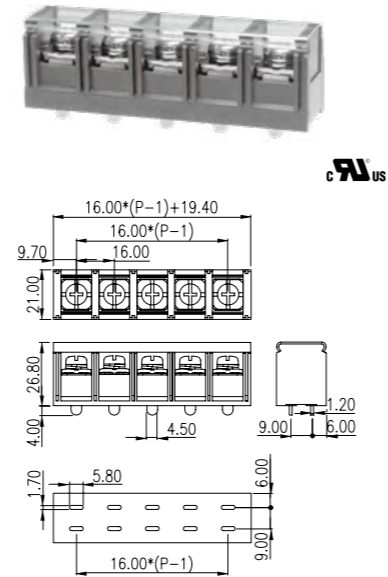
| Technical Data | | UL | |
|-----------------------|----------------------|---------------|---------------|
| UL use group | B/C | B/C | B/C |
| Rated voltage | 600V | 85A / 600V | 85A / 600V |
| Rated current | 65A | 100A | 100A |
| Wire range (AWG) | 14~6 | 4(sol)~3(str) | 4(sol)~3(str) |
| Withstand voltage | AC2500V / 1 minute | | |
| Insulation resistance | ≥1000MΩ / DC 500V | | |
| Housing | PBT, UL94-V0, black | | |
| Terminal | Copper, Tin plated | | |
| Screw | M5, Steel, Zn plated | | |
| Torque value (N-m) | 2.4 | | |
| Operating temperature | -40°C ~ +130°C | | |
| Wiring type | FW2 | | |
| Number of Positions | | | |
| 02~20P | | | |



cULus

0166-80XXC

600V



cULus

Triple-barrier, single row



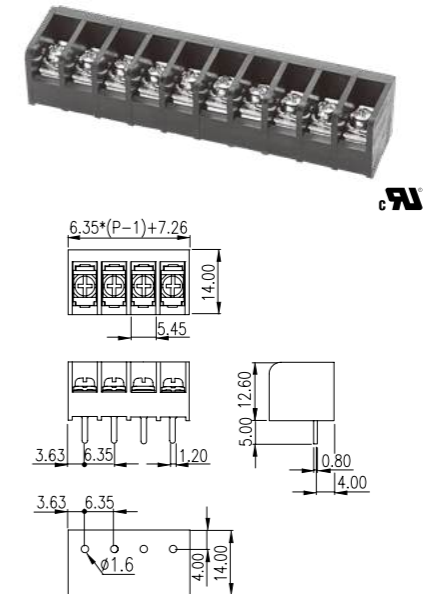
The triple-barrier in single row terminal blocks offer pitches from 6.35mm~16mm and options of various terminal pin designs that are suitable for voltage ratings 300V/6A~600V/65A.

The product range provide a wide variety of screw, terminal and mounting options, fitting a multitude of applications.

6.35mm

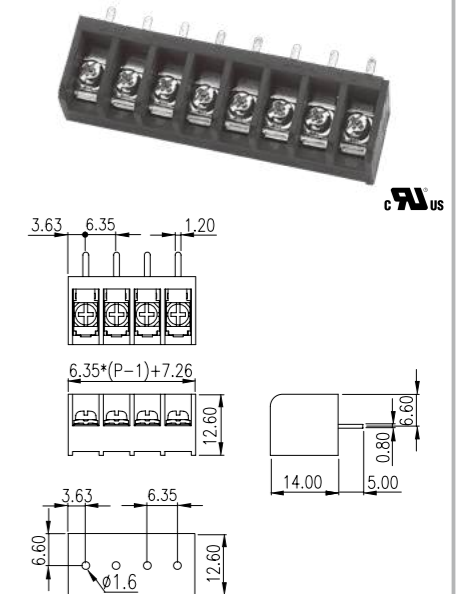
DT-29-B01W-XX

| Technical Data | | UL | |
|-----------------------|------------------------|------|------|
| UL use group | B | D | D |
| Rated voltage | 300V | 300V | 300V |
| Rated current | 15A | 10A | 10A |
| Wire range (AWG) | 22~16 | | |
| Withstand voltage | AC2000V / 1 minute | | |
| Insulation resistance | ≥500MΩ / DC 500V | | |
| Housing | PA66, UL94-V0, black | | |
| Terminal | Brass, Tin plated | | |
| Screw | M2.6, Steel, Ni plated | | |
| Torque value (N-m) | 0.5 | | |
| Operating temperature | -40°C ~ +120°C | | |
| Wiring type | FW2 | | |
| Number of Positions | | | |
| 02~30P | | | |



cULus

DT-29-B02W-XX

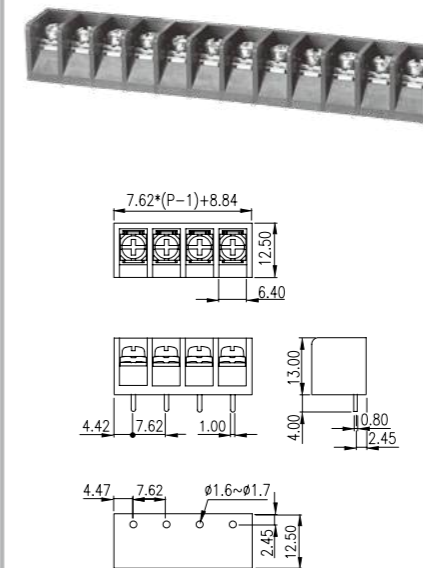


cULus

7.62mm

0032-09XX

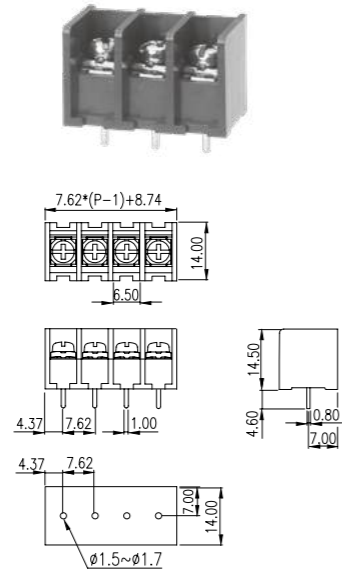
| Technical Data | | UL | |
|-----------------------|----------------------|------|------|
| UL use group | B | D | D |
| Rated voltage | 300V | 300V | 300V |
| Rated current | 6A | 6A | 6A |
| Wire range (AWG) | 24~16 | | |
| Withstand voltage | AC2500V / 1 minute | | |
| Insulation resistance | ≥1000MΩ / DC 500V | | |
| Housing | PBT, UL94-V0, black | | |
| Terminal | Brass, Tin plated | | |
| Screw | M3, Steel, Zn plated | | |
| Torque value (N-m) | 0.5~0.6 | | |
| Operating temperature | -40°C ~ +130°C | | |
| Wiring type | FW2 | | |
| Number of Positions | | | |
| 02~22P | | | |



7.62mm

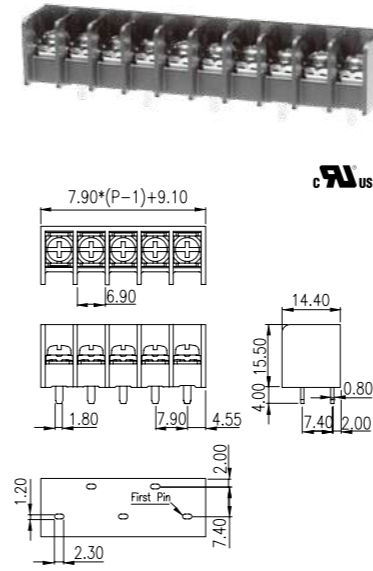
0032-14XX

| Technical Data | UL | |
|-----------------------|----------------------|------|
| | B | D |
| UL use group | B | D |
| Rated voltage | 300V | 300V |
| Rated current | 10A | 10A |
| Wire range (AWG) | 24~14 | |
| Withstand voltage | AC2000V / 1 minute | |
| Insulation resistance | ≥1000MΩ / DC 500V | |
| Housing | PBT, UL94-V0, black | |
| Terminal | Brass, Tin plated | |
| Screw | M3, Steel, Ni plated | |
| Torque value (N-m) | 0.5~0.6 | |
| Operating temperature | -40°C ~ +130°C | |
| Wiring type | FW2 | |
| Number of Positions | | |
| 02~13P | | |



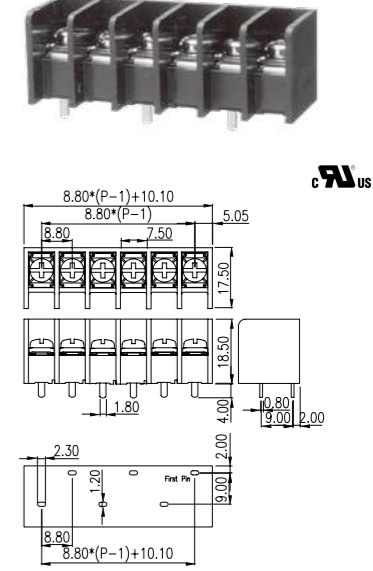
7.90mm

| Technical Data | UL | |
|-----------------------|------------------------|------|
| | B/C | B/C |
| UL use group | B/C | B/C |
| Rated voltage | 300V | 300V |
| Rated current | 20A | 30A |
| Wire range (AWG) | 22~12 | 10 |
| Withstand voltage | AC2500V / 1 minute | |
| Insulation resistance | ≥1000MΩ / DC 500V | |
| Housing | PBT, UL94-V0, black | |
| Terminal | Copper, Tin plated | |
| Screw | M3.5, Steel, Zn plated | |
| Torque value (N-m) | 1.4 | |
| Operating temperature | -40°C ~ +130°C | |
| Wiring type | FW2 | |
| Number of Positions | | |
| 02~25P | | |



0167-10XX

| Technical Data | UL | |
|-----------------------|------------------------|------|
| | B | C |
| UL use group | B | C |
| Rated voltage | 600V | 600V |
| Rated current | 20A | 20A |
| Wire range (AWG) | 24~12 | |
| Withstand voltage | AC2500V / 1 minute | |
| Insulation resistance | ≥1000MΩ / DC 500V | |
| Housing | PBT, UL94-V0, black | |
| Terminal | Copper, Tin plated | |
| Screw | M3.5, Steel, Zn plated | |
| Torque value (N-m) | 1 | |
| Operating temperature | -40°C ~ +130°C | |
| Wiring type | FW2 | |
| Number of Positions | | |
| 02~24P | | |

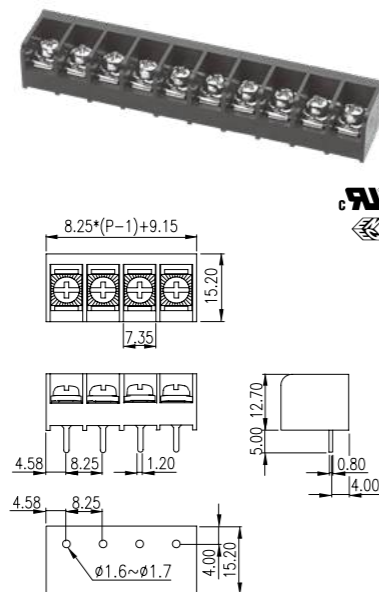


0167-90XX

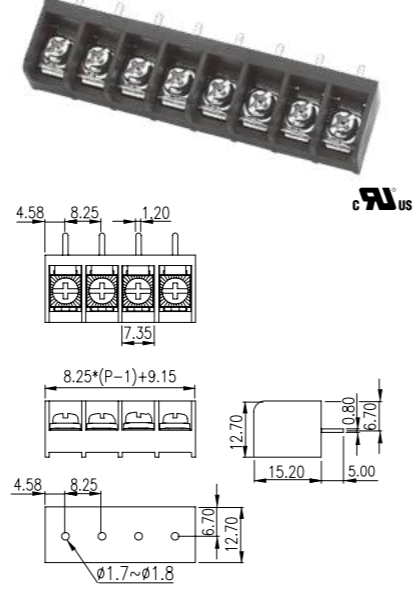
8.25mm

DT-39-B01W-XX

| Technical Data | UL | |
|-----------------------|-------------------------|------|
| | B | D |
| UL use group | B | D |
| Rated voltage | 300V | 300V |
| Rated current | 20A | 10A |
| Wire range (AWG) | 22~12 | |
| Withstand voltage | AC2000V / 1 minute | |
| Insulation resistance | ≥500MΩ / DC 500V | |
| Housing | PA66, UL94-V0, black | |
| Terminal | Brass, Tin plated | |
| Screw | #6-32, Steel, Ni plated | |
| Torque value (N-m) | 1.4 | |
| Operating temperature | -40°C ~ +120°C | |
| Wiring type | FW2 | |
| Number of Positions | | |
| 02~33P | | |



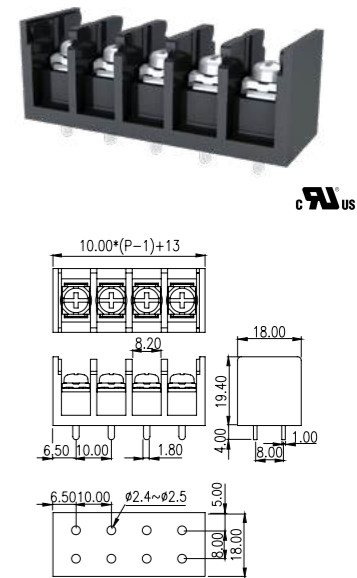
DT-39-B02W-XX



10.00mm

0186-40XX

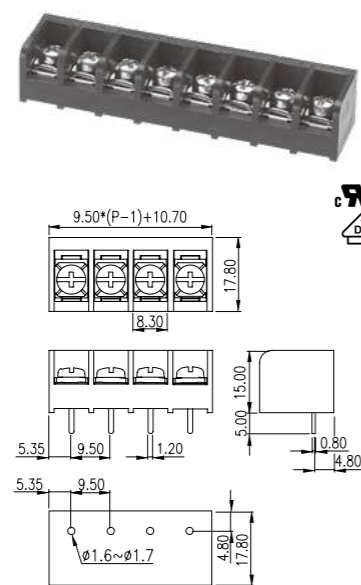
| Technical Data | UL | |
|-----------------------|----------------------|-------|
| | B | C |
| UL use group | B | C |
| Rated voltage | 300V | 300V |
| Rated current | 45A | 30A |
| Wire range (AWG) | 8 | 22~10 |
| Withstand voltage | AC2000V / 1 minute | |
| Insulation resistance | ≥1000MΩ / DC 500V | |
| Housing | PBT, UL94-V0, black | |
| Terminal | Copper, Tin plated | |
| Screw | M4, Steel, Ni plated | |
| Torque value (N-m) | 0.8~1 | |
| Operating temperature | -40°C ~ +130°C | |
| Wiring type | FW2 | |
| Number of Positions | | |
| 02~08P | | |



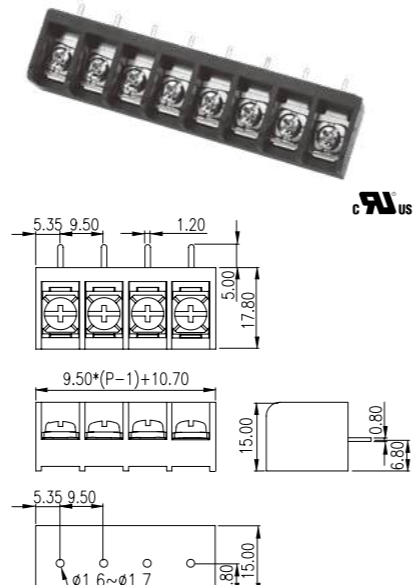
9.50mm

DT-49-B01W-XX

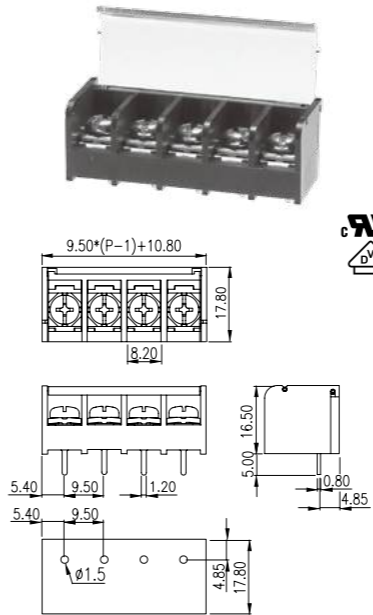
| Technical Data | UL | |
|-----------------------|-------------------------|------|
| | B | D |
| UL use group | B | D |
| Rated voltage | 300V | 300V |
| Rated current | 25A | 10A |
| Wire range (AWG) | 22~12 | |
| Withstand voltage | AC2000V / 1 minute | |
| Insulation resistance | ≥500MΩ / DC 500V | |
| Housing | PA66, UL94-V0, black | |
| Terminal | Brass, Tin plated | |
| Screw | | |
| DT-49-B01W-XX | #6-32, Steel, Ni plated | |
| DT-49-B02W-XX | | |
| DT-49-C91W-XX | M3.5, Steel, Ni plated | |
| Torque value (N-m) | 1.4 | |
| Operating temperature | -40°C ~ +120°C | |
| Wiring type | FW2 | |
| Number of Positions | | |
| DT-49-B01W-XX | 02~31P | |
| DT-49-B02W-XX | | |
| DT-49-C91W-XX | 02~15P | |



DT-49-B02W-XX



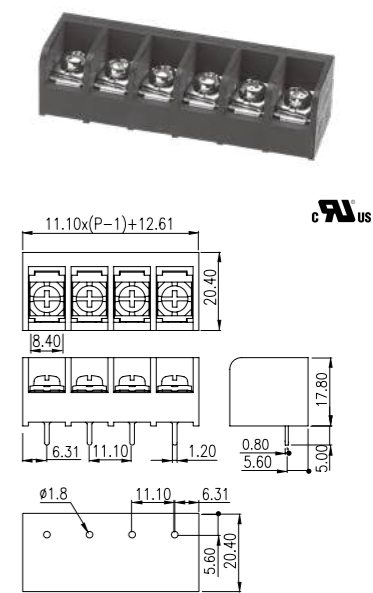
DT-49-C91W-XX



11.00mm

DT-69-B01W-XX

| Technical Data | UL | |
|-----------------------|----------------------|------|
| | B/C | D |
| UL use group | B/C | D |
| Rated voltage | 300V/150V | 300V |
| Rated current | 30A | 10A |
| Wire range (AWG) | 22~10 | |
| Withstand voltage | AC2000V / 1 minute | |
| Insulation resistance | ≥500MΩ / DC 500V | |
| Housing | PA66, UL94-V0, black | |
| Terminal | Brass, Tin plated | |
| Screw | M4, Steel, Ni plated | |
| Torque value (N-m) | 1.8 | |
| Operating temperature | -40°C ~ +120°C | |
| Wiring type | FW2 | |
| Number of Positions | | |
| 02~26P | | |

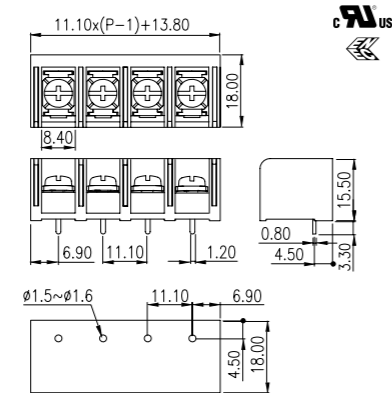


11.00mm

DT-69-H53W-XX

600V

| Technical Data | | UL | |
|-----------------------|-------------------------|------|------|
| UL use group | B/C | B/C | B/C |
| Rated voltage | 600V | 600V | 600V |
| Rated current | 20A | 45A | 45A |
| Wire range (AWG) | 22~12 | 10~8 | 10~8 |
| Withstand voltage | AC3000V / 1 minute | | |
| Insulation resistance | ≥1000MΩ / DC 500V | | |
| Housing | PBT, UL94-V0, black | | |
| Terminal | Copper, Tin plated | | |
| Screw | #6-32, Steel, Zn plated | | |
| Torque value (N-m) | 1 | | |
| Operating temperature | -40°C ~ +130°C | | |
| Wiring type | FW2 | | |
| Number of Positions | | | |
| 02~16P | | | |

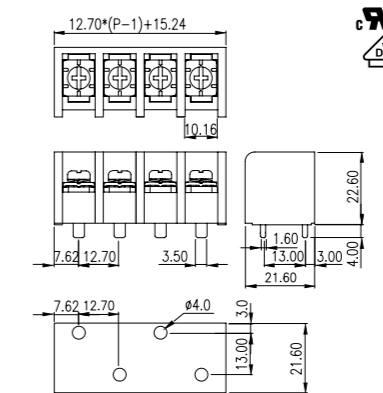


12.70mm

DT-79-B01W-XX

600V

| Technical Data | | UL | |
|-----------------------|----------------------|------|------|
| UL use group | B/C | D | D |
| Rated voltage | 600V | 600V | 600V |
| Rated current | 45A(str)/43A(sol) | 5A | 5A |
| Wire range (AWG) | 18~8 | | |
| Withstand voltage | AC2500V / 1 minute | | |
| Insulation resistance | ≥1000MΩ / DC 500V | | |
| Housing | PBT, UL94-V0, black | | |
| Terminal | Brass, Tin plated | | |
| Screw | M4, Steel, Zn plated | | |
| Torque value (N-m) | 1.8 | | |
| Operating temperature | -40°C ~ +130°C | | |
| Wiring type | FW2 | | |
| Number of Positions | | | |
| 02~16P | | | |

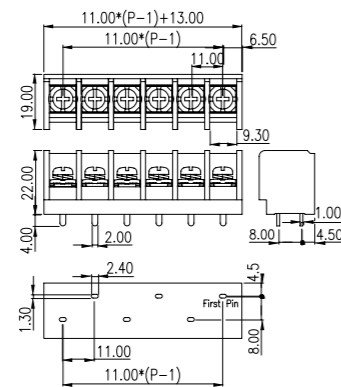
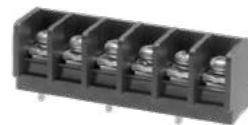


11.00mm

0167-50XX

600V

| Technical Data | | UL | |
|-----------------------|----------------------|------|------|
| UL use group | B/C | B/C | B/C |
| Rated voltage | 600V | 600V | 600V |
| Rated current | 30A | 50A | 50A |
| Wire range (AWG) | 22~10 | 8 | 8 |
| Withstand voltage | AC3000V / 1 minute | | |
| Insulation resistance | ≥1000MΩ / DC 500V | | |
| Housing | PBT, UL94-V0, black | | |
| Terminal | Copper, Tin plated | | |
| Screw | M4, Steel, Zn plated | | |
| Torque value (N-m) | 1.8 | | |
| Operating temperature | -40°C ~ +130°C | | |
| Wiring type | FW2 | | |
| Number of Positions | | | |
| 02~25P | | | |

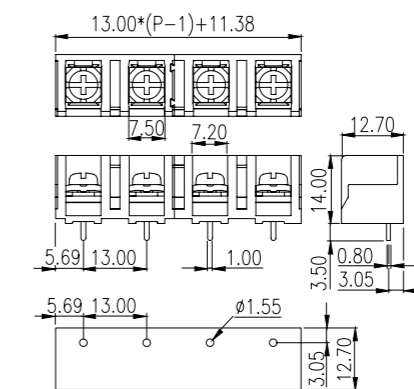


13.00mm

0167-70XX

600V

| Technical Data | | UL | |
|-----------------------|------------------------|------|------|
| UL use group | B/C | D | D |
| Rated voltage | 600V | 600V | 600V |
| Rated current | 20A | 5A | 5A |
| Wire range (AWG) | 22~12 | | |
| Withstand voltage | AC2500V / 1 minute | | |
| Insulation resistance | ≥1000MΩ / DC 500V | | |
| Housing | PBT, UL94-V0, black | | |
| Terminal | Brass, Tin plated | | |
| Screw | M3.5, Steel, Ni plated | | |
| Torque value (N-m) | 0.8~1 | | |
| Operating temperature | -40°C ~ +130°C | | |
| Wiring type | FW2 | | |
| Number of Positions | | | |
| 02~10P | | | |

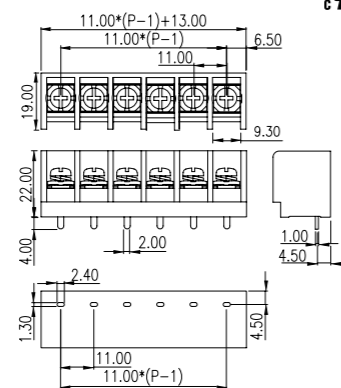


11.00mm

0167-52XX

600V

| Technical Data | | UL | |
|-----------------------|----------------------|------|------|
| UL use group | B/C | B/C | B/C |
| Rated voltage | 300V | 300V | 300V |
| Rated current | 30A | 50A | 50A |
| Wire range (AWG) | 22~10 | 8 | 8 |
| Withstand voltage | AC2500V / 1 minute | | |
| Insulation resistance | ≥1000MΩ / DC 500V | | |
| Housing | PBT, UL94-V0, black | | |
| Terminal | Copper, Tin plated | | |
| Screw | M4, Steel, Zn plated | | |
| Torque value (N-m) | 1.8 | | |
| Operating temperature | -40°C ~ +130°C | | |
| Wiring type | FW2 | | |
| Number of Positions | | | |
| 02~25P | | | |

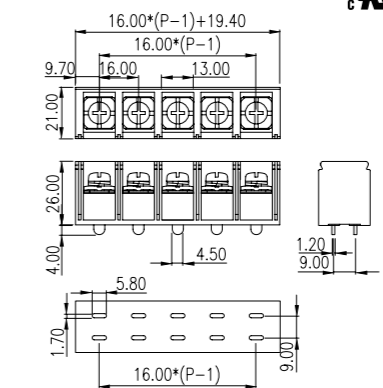


16.00mm

0167-80XX

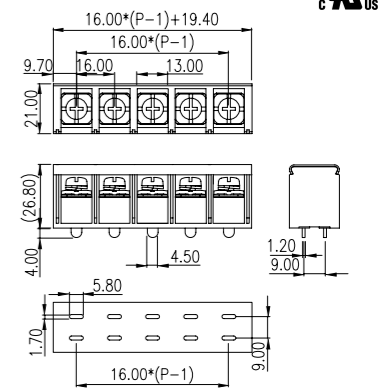
600V

| Technical Data | | UL | |
|-----------------------|----------------------|-----------------|-----------------|
| UL use group | B/C | B/C | B/C |
| Rated voltage | 600V | 600V | 600V |
| Rated current | 65A | 85A/100A | 85A/100A |
| Wire range (AWG) | 14~6 | 4(sol)/3~4(str) | 4(sol)/3~4(str) |
| Withstand voltage | AC2500V / 1 minute | | |
| Insulation resistance | ≥1000MΩ / DC 500V | | |
| Housing | PBT, UL94-V0, black | | |
| Terminal | Copper, Tin plated | | |
| Screw | M5, Steel, Zn plated | | |
| Torque value (N-m) | 2.4 | | |
| Operating temperature | -40°C ~ +130°C | | |
| Wiring type | FW2 | | |
| Number of Positions | | | |
| 02~20P | | | |



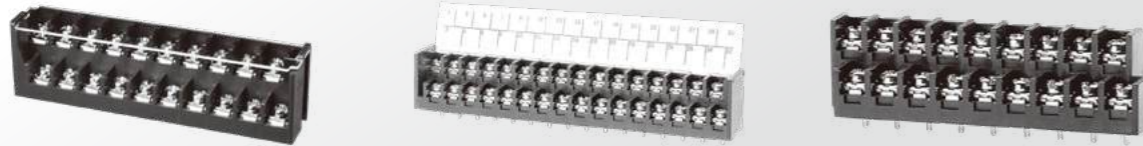
0167-80XXC

600V



Triple-barrier, Bi-level

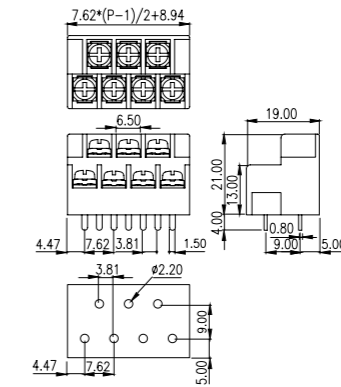
The bi-level barrier terminal block is in triple-barrier housing, the solution is for high density wiring in small spaces. Available pitches from 7.62mm ~14.3mm and options of various terminal pin designs that are suitable for voltage ratings 300V/10A~ 600V/35A. The optional top cover offers additional protection and can have markings printed on for clearer wire indication.



7.62mm

0032-23XX

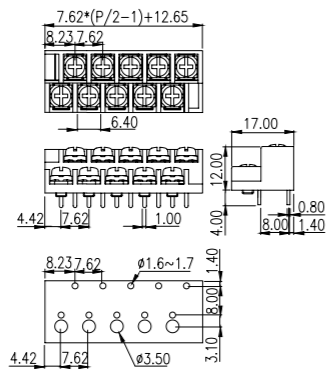
| Technical Data | | UL | |
|-----------------------|----------------------|------|--|
| UL use group | B | D | |
| Rated voltage | 300V | 300V | |
| Rated current | 20A | 10A | |
| Wire range (AWG) | 22~12 | | |
| Withstand voltage | AC2000V / 1 minute | | |
| Insulation resistance | ≥1000MΩ / DC 500V | | |
| Housing | PBT, UL94-V0, black | | |
| Terminal | Brass, Tin plated | | |
| Screw | M3, Steel, Ni plated | | |
| Torque value (N-m) | 0.5~0.6 | | |
| Operating temperature | -40°C ~ +130°C | | |
| Wiring type | FW2 | | |
| Number of Positions | | | |
| 03~05.....23P | | | |



7.62mm

0032-15XX

| Technical Data | | UL | |
|-----------------------|----------------------|------|--|
| UL use group | B | D | |
| Rated voltage | 300V | 300V | |
| Rated current | 10A | 10A | |
| Wire range (AWG) | 24~16 | | |
| Withstand voltage | AC2000V / 1 minute | | |
| Insulation resistance | ≥1000MΩ / DC 500V | | |
| Housing | PBT, UL94-V0, black | | |
| Terminal | Brass, Tin plated | | |
| Screw | M3, Steel, Zn plated | | |
| Torque value (N-m) | 0.5~0.8 | | |
| Operating temperature | -40°C ~ +130°C | | |
| Wiring type | FW2 | | |
| Number of Positions | | | |
| 04~32P | | | |

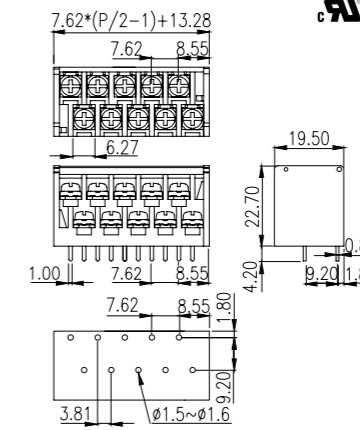
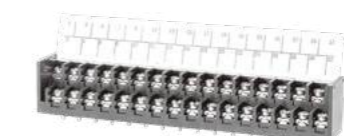
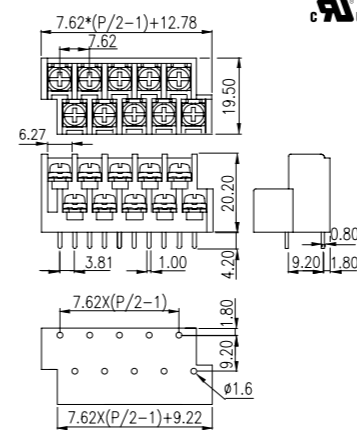
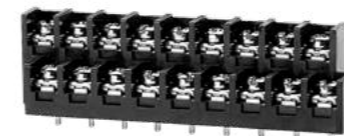


7.62mm

| Technical Data | | UL | |
|-----------------------|----------------------|------|--|
| UL use group | B | D | |
| Rated voltage | 300V | 300V | |
| Rated current | 15A | 15A | |
| Wire range (AWG) | 22~14 | | |
| Withstand voltage | AC2000V / 1 minute | | |
| Insulation resistance | ≥1000MΩ / DC 500V | | |
| Housing | PBT, UL94-V0, black | | |
| Terminal | Brass, Tin plated | | |
| Screw | M3, Steel, Ni plated | | |
| Torque value (N-m) | 0.8 | | |
| Operating temperature | -40°C ~ +130°C | | |
| Wiring type | FW2 | | |
| Number of Positions | | | |
| 04~60P | | | |

2DD-B01W-XX

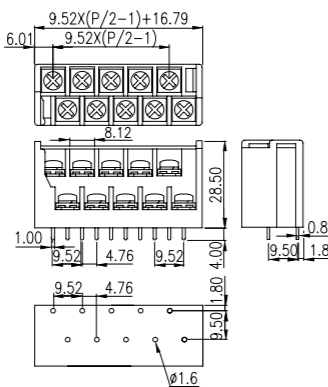
2DC-B01W-XX



9.52mm

4DC-B01W-XX

| Technical Data | | UL | |
|-----------------------|------------------------|------|--|
| UL use group | B | D | |
| Rated voltage | 300V | 300V | |
| Rated current | 20A | 10A | |
| Wire range (AWG) | 18~12(sol)/14~12(str) | | |
| Withstand voltage | AC2000V / 1 minute | | |
| Insulation resistance | ≥1000MΩ / DC 500V | | |
| Housing | PBT, UL94-V0, black | | |
| Terminal | Brass, Tin plated | | |
| Screw | M3.5, Steel, Ni plated | | |
| Torque value (N-m) | 1.4 | | |
| Operating temperature | -40°C ~ +130°C | | |
| Wiring type | FW2 | | |
| Number of Positions | | | |
| 04~48P | | | |

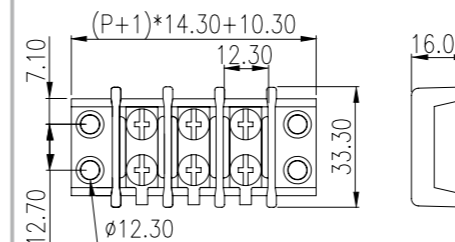


14.3mm

| Technical Data | | UL | |
|-----------------------|-------------------------|------|--|
| UL use group | B/C | D | |
| Rated voltage | 600V | 600V | |
| Rated current | 35A | 5A | |
| Wire range (AWG) | 18~10 (O&Y) | | |
| Withstand voltage | AC2500V / 1 minute | | |
| Insulation resistance | ≥1000MΩ / DC 500V | | |
| Housing | PBT, UL94-V0, black | | |
| Terminal | Brass, Ni plated | | |
| Screw | #8-32, Steel, Zn plated | | |
| Torque value (N-m) | 1.8 | | |
| Operating temperature | -40°C ~ +130°C | | |
| Wiring type | FW1 | | |
| Number of Positions | | | |
| 02~16P | | | |

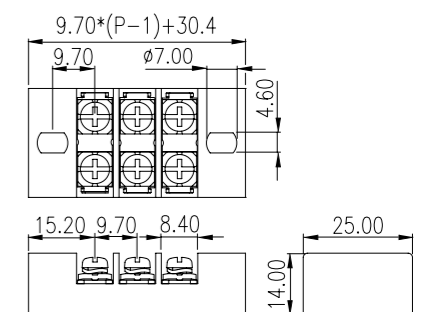
0113-10XX

600V

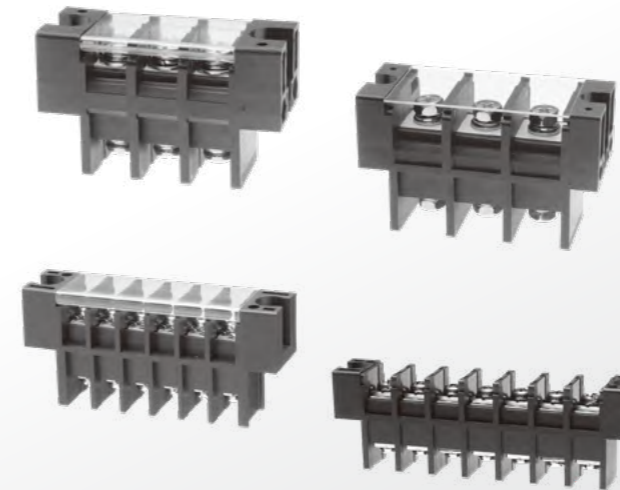


9.7mm

| Technical Data | | UL | |
|-----------------------|------------------------|------|--|
| UL use group | B | D | |
| Rated voltage | 300V | 300V | |
| Rated current | 15A | 10A | |
| Wire range (AWG) | 22~12 | | |
| Withstand voltage | AC2500V / 1 minute | | |
| Insulation resistance | ≥1000MΩ / DC 500V | | |
| Housing | PBT, UL94-V0, black | | |
| Terminal | Brass, Ni plated | | |
| Screw | M3.5, Steel, Ni plated | | |
| Torque value (N-m) | 0.8~1 | | |
| Operating temperature | -40°C ~ +130°C | | |
| Wiring type | FW2 | | |
| Number of Positions | | | |
| 08P, 12P | | | |



Panel Feed-Through

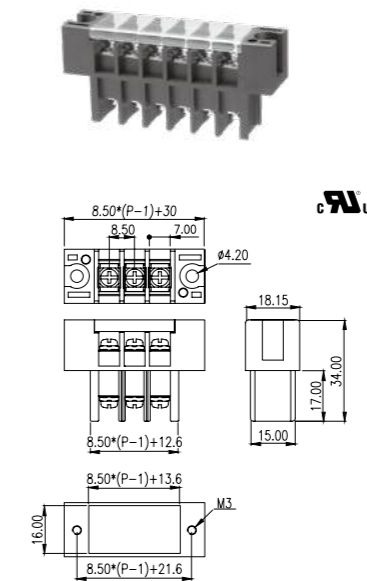


High quality copper material is used for a safer, more effective connection through panels. Available pitches from 8.50mm ~ 27.00mm with a max. amp rating of 175A and a max. voltage rating of 600V. Top protection covers and washers are optional.

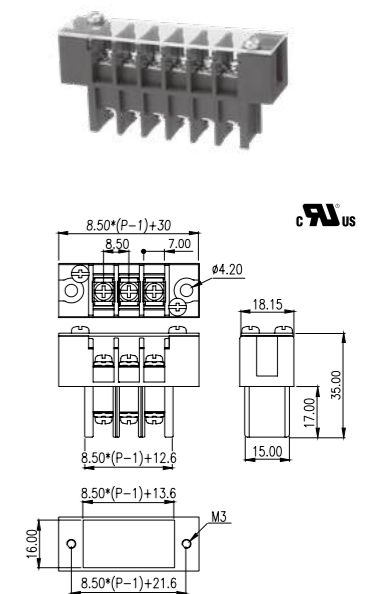
8.50mm

| Technical Data | | UL | |
|-----------------------|--|----------------------|------|
| UL use group | | B | C |
| Rated voltage | | 300V | 300V |
| Rated current | | 20A | 20A |
| Wire range (AWG) | | 22~12 | |
| Withstand voltage | | AC2000V / 1 minute | |
| Insulation resistance | | ≥1000MΩ / DC 500V | |
| Housing | | PBT, UL94-V0, black | |
| Terminal | | Copper, Tin plated | |
| Screw | | M3, Steel, Ni plated | |
| Torque value (N-m) | | 1 | |
| Operating temperature | | -40°C ~ +130°C | |
| Wiring type | | FW2 | |
| Number of Positions | | | |
| 02~15P | | | |

0168-10XX



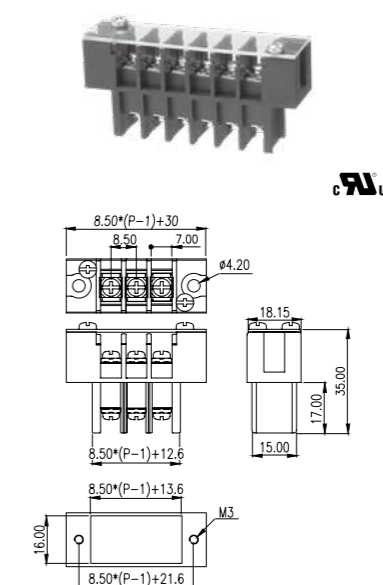
0168-14XX



8.50mm

| Technical Data | | UL | |
|-----------------------|--|------------------------|------|
| UL use group | | B | D |
| Rated voltage | | 300V | 300V |
| Rated current | | 20A | 20A |
| Wire range (AWG) | | 22~12 | |
| Withstand voltage | | AC2000V / 1 minute | |
| Insulation resistance | | ≥1000MΩ / DC 500V | |
| Housing | | PBT, UL94-V0, black | |
| Terminal | | Copper, Tin plated | |
| Screw | | M3.5, Steel, Ni plated | |
| Torque value (N-m) | | 1 | |
| Operating temperature | | -40°C ~ +130°C | |
| Wiring type | | FW2 | |
| Number of Positions | | | |
| 02~15P | | | |

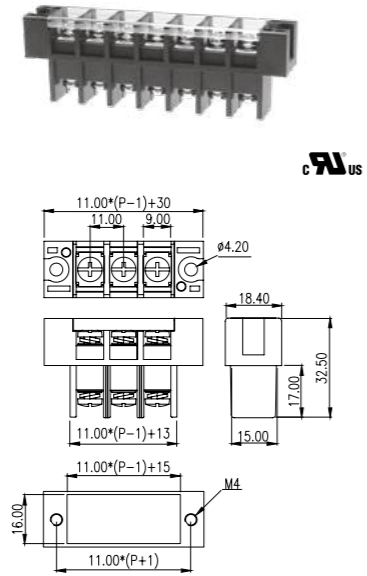
0168-15XX



11.00mm

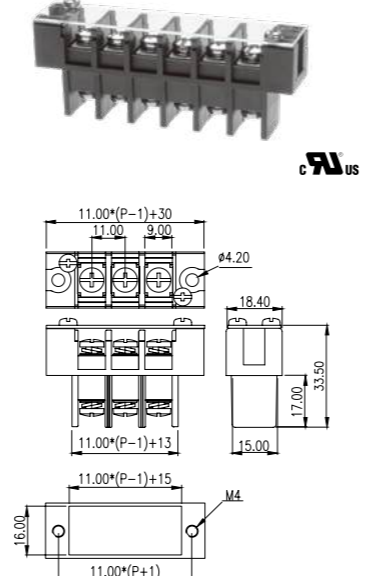
0168-20XX

| Technical Data | | UL | |
|-----------------------|----------------------|------|--|
| UL use group | B | C | |
| Rated voltage | 300V | 300V | |
| Rated current | 30A | 30A | |
| Wire range (AWG) | 22~10 | | |
| Withstand voltage | AC2500V / 1 minute | | |
| Insulation resistance | ≥1000MΩ / DC 500V | | |
| Housing | PBT, UL94-V0, black | | |
| Terminal | Copper, Tin plated | | |
| Screw | M4, Steel, Ni plated | | |
| Torque value (N-m) | 1.8 | | |
| Operating temperature | -40°C ~ +130°C | | |
| Wiring type | FW2 | | |
| Number of Positions | | | |
| 02~23P | | | |



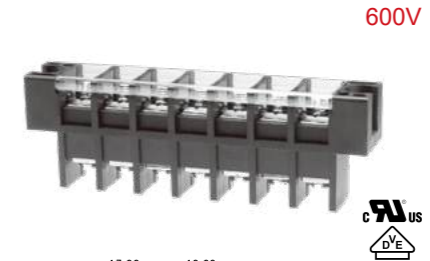
0168-24XX

| Technical Data | | UL | |
|-----------------------|----------------------|------|--|
| UL use group | B | C | |
| Rated voltage | 600V | 600V | |
| Rated current | 50A | 50A | |
| Wire range (AWG) | 22~8 | | |
| Withstand voltage | AC2500V / 1 minute | | |
| Insulation resistance | ≥1000MΩ / DC 500V | | |
| Housing | PBT, UL94-V0, black | | |
| Terminal | Copper, Tin plated | | |
| Screw | M4, Steel, Zn plated | | |
| Torque value (N-m) | 1.8 | | |
| Operating temperature | -40°C ~ +130°C | | |
| Wiring type | FW2 | | |
| Number of Positions | | | |
| 02~12P | | | |

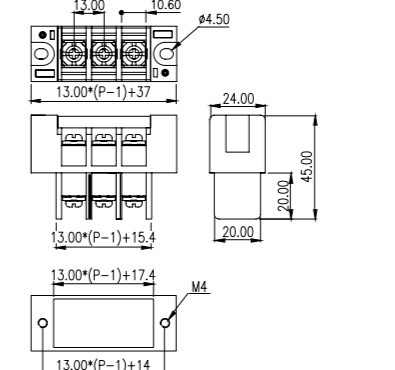


13.00mm

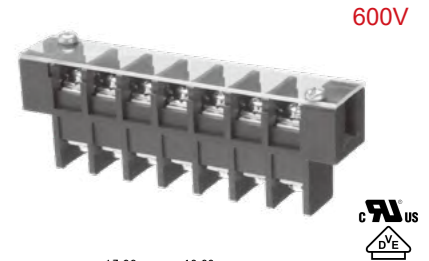
0168-32XX



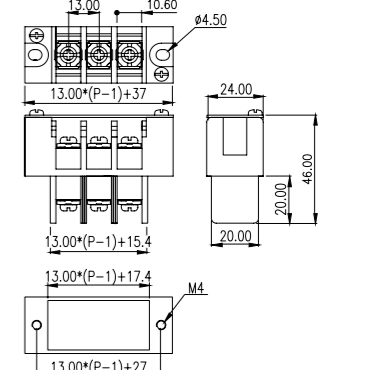
600V



0168-35XX



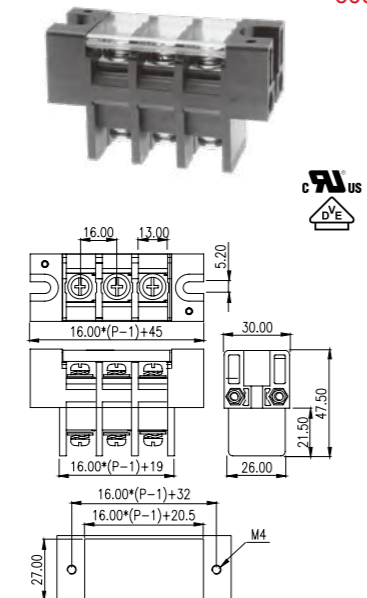
600V



16.00mm

0168-40XX

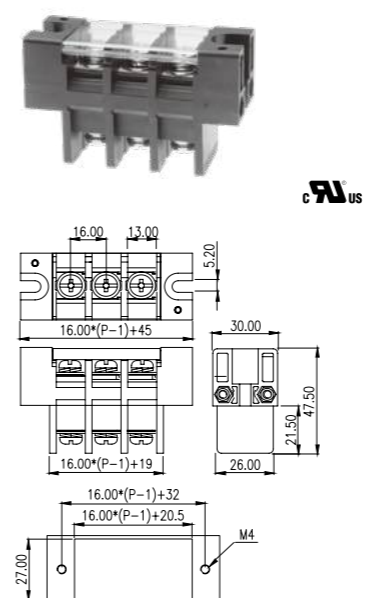
| Technical Data | | UL | |
|-----------------------|----------------------|------|--|
| UL use group | B | C | |
| Rated voltage | 600V | 600V | |
| Rated current | 115A | 115A | |
| Wire range (AWG) | 14~2 | | |
| Withstand voltage | AC2500V / 1 minute | | |
| Insulation resistance | ≥1000MΩ / DC 500V | | |
| Housing | PBT, UL94-V0, black | | |
| Terminal | Copper, Tin plated | | |
| Screw | M5, Steel, Ni plated | | |
| Torque value (N-m) | 2.5 | | |
| Operating temperature | -40°C ~ +130°C | | |
| Wiring type | FW2 | | |
| Number of Positions | | | |
| 02~15P | | | |



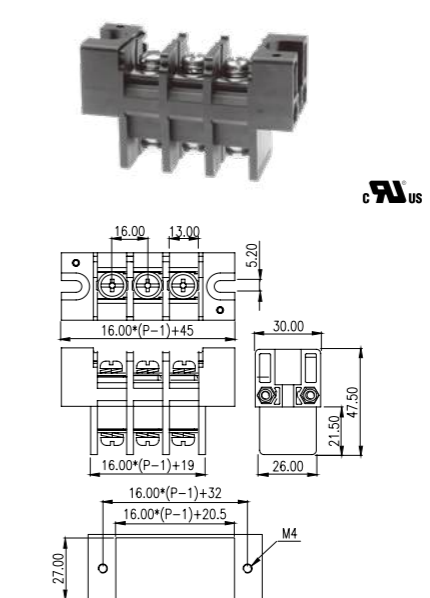
16.00mm

0168-42XX

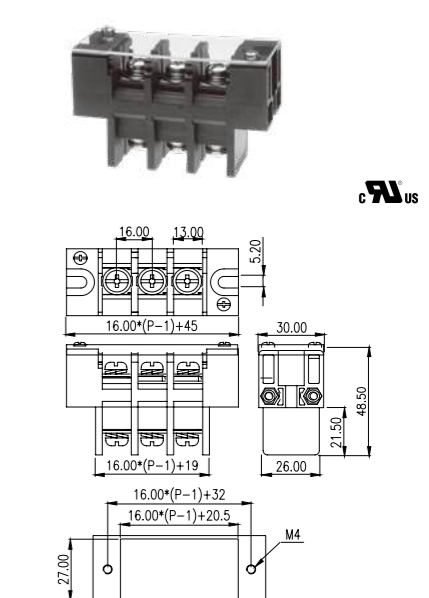
| Technical Data | | UL | |
|-----------------------|----------------------|------|--|
| UL use group | B | C | |
| Rated voltage | 600V | 600V | |
| Rated current | 115A | 115A | |
| Wire range (AWG) | 14~2 | | |
| Withstand voltage | AC2500V / 1 minute | | |
| Insulation resistance | ≥1000MΩ / DC 500V | | |
| Housing | PBT, UL94-V0, black | | |
| Terminal | Copper, Tin plated | | |
| Screw | M6, Steel, Ni plated | | |
| Torque value (N-m) | 2.5 | | |
| Operating temperature | -40°C ~ +130°C | | |
| Wiring type | FW2 | | |
| Number of Positions | | | |
| 02~15P | | | |



0168-43XX



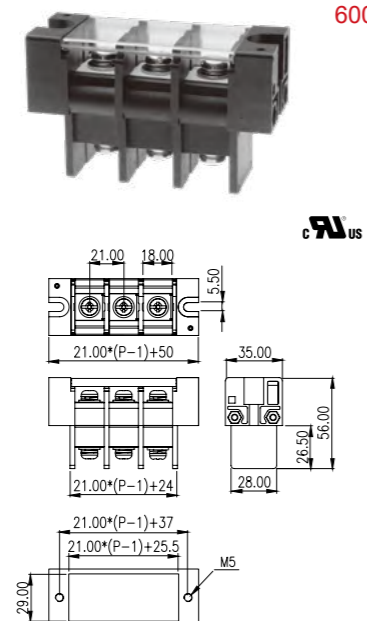
0168-45XX



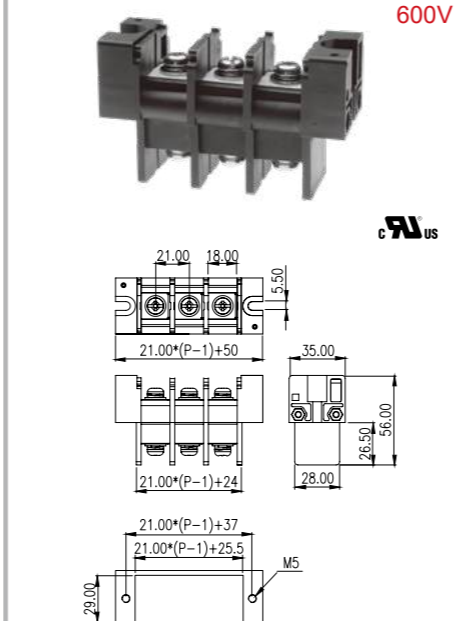
21.00mm

0168-50XX

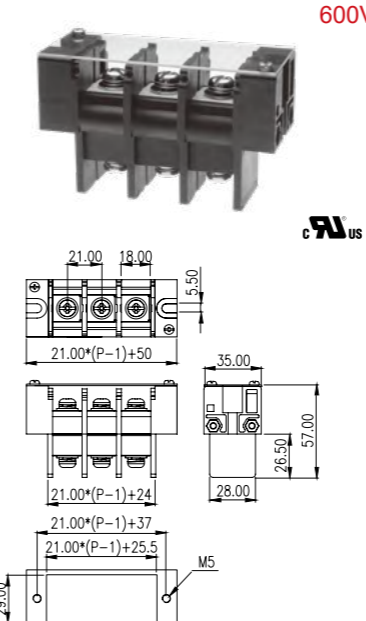
| Technical Data | | UL | |
|-----------------------|----------------------|------|--|
| UL use group | B | C | |
| Rated voltage | 600V | 600V | |
| Rated current | 130A | 130A | |
| Wire range (AWG) | 8~1 | | |
| Withstand voltage | AC2500V / 1 minute | | |
| Insulation resistance | ≥1000MΩ / DC 500V | | |
| Housing | PBT, UL94-V0, black | | |
| Terminal | Copper, Tin plated | | |
| Screw | M6, Steel, Ni plated | | |
| Torque value (N-m) | 3 | | |
| Operating temperature | -40°C ~ +130°C | | |
| Wiring type | FW2 | | |
| Number of Positions | | | |
| 02~15P | | | |



0168-51XX



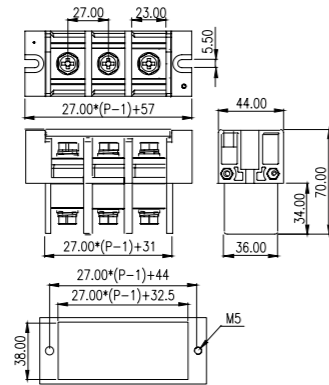
0168-54XX



27.00mm

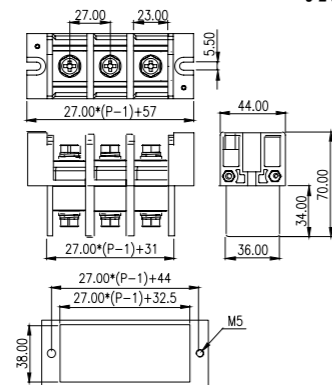
0168-62XX

600V



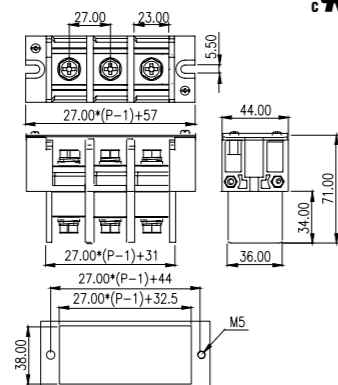
0168-63XX

600V



0168-65XX

600V

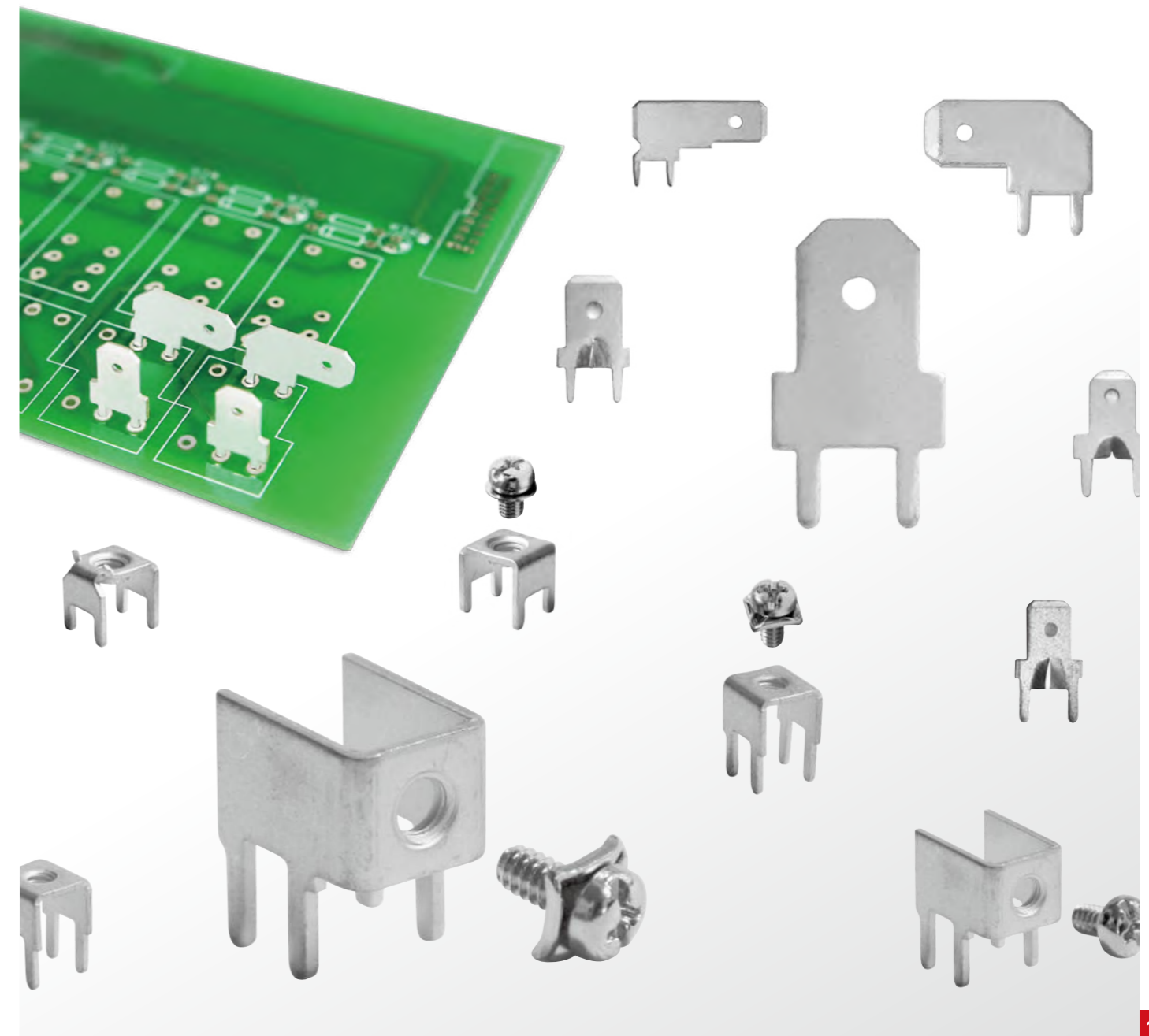


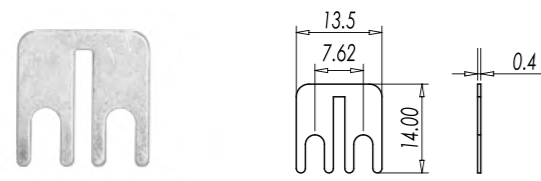
Quick Terminals / Tabs

Quick terminals meet the dimensional and performance requirements of the standard UL310.

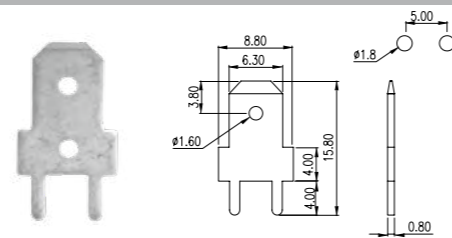
The series of quick terminals is for reliable and cost-effective connections.

These products are designed to terminate wires and components to printed circuit boards (PCBs). Our quick terminals/tabs provide reliable, cost-effective solutions for connecting assemblies with pin contacts to printed circuit boards.

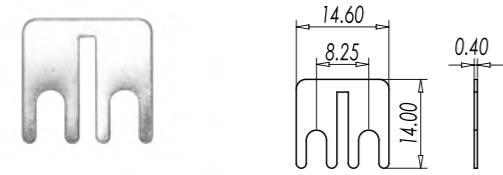


DS-201

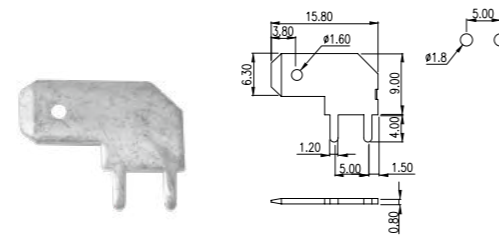
| | |
|----------|-------------------|
| Material | Brass, Tin plated |
| Rating | 15A |

P-850

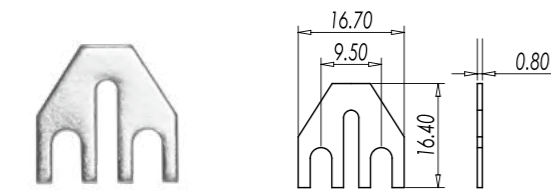
| | |
|----------|-------------------|
| Material | Brass, Tin plated |
| Rating | 30A |

DS-301

| | |
|----------|-------------------|
| Material | Brass, Tin plated |
| Rating | 20A |

P-860

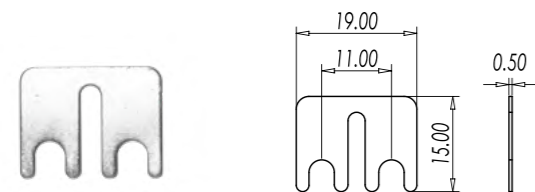
| | |
|----------|-------------------|
| Material | Brass, Tin plated |
| Rating | 30A |

DS-401

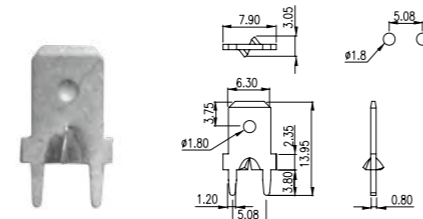
| | |
|----------|-------------------|
| Material | Brass, Tin plated |
| Rating | 25A |

P-861

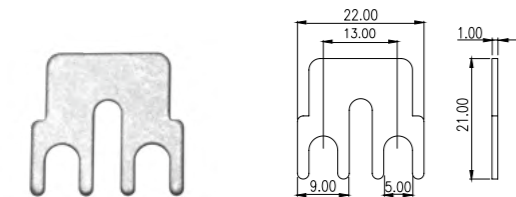
| | |
|----------|-------------------|
| Material | Brass, Tin plated |
| Rating | 30A |

DS-601

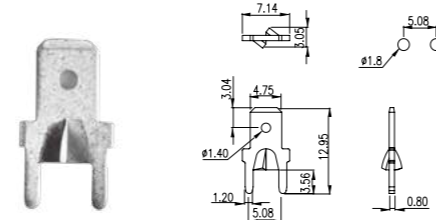
| | |
|----------|-------------------|
| Material | Brass, Tin plated |
| Rating | 25A |

P-851

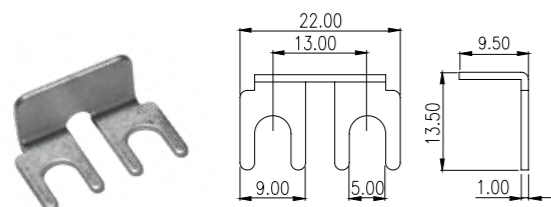
| | |
|----------|-------------------|
| Material | Brass, Tin plated |
| Rating | 30A |

DS-701

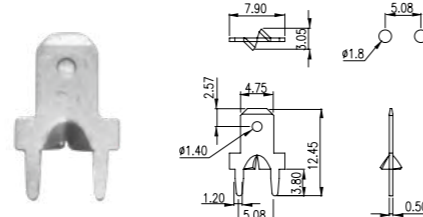
| | |
|----------|-------------------|
| Material | Brass, Tin plated |
| Rating | 40A |

P-871

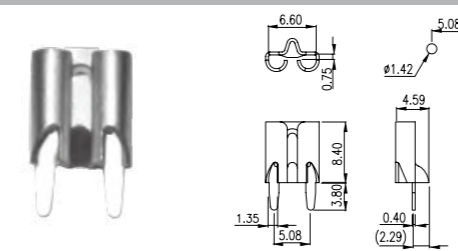
| | |
|----------|-------------------|
| Material | Brass, Tin plated |
| Rating | 30A |

DS-701R

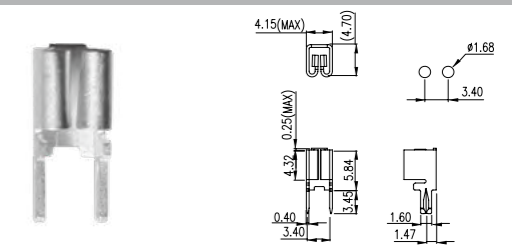
| | |
|----------|-------------------|
| Material | Brass, Tin plated |
| Rating | 40A |

P-872

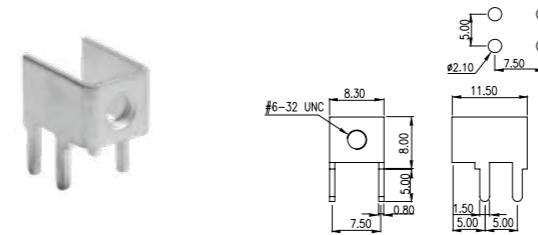
| | |
|----------|-------------------|
| Material | Brass, Tin plated |
| Rating | 30A |

P-610

| | |
|----------|-------------------|
| Material | Brass, Tin plated |
| Rating | 30A |

P-620

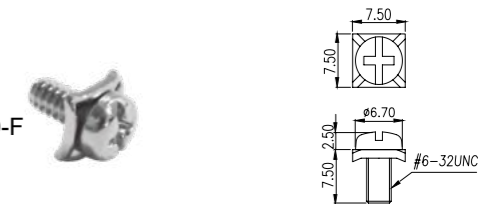
| | |
|----------|-------------------|
| Material | Brass, Tin plated |
| Rating | 20A |

P-810

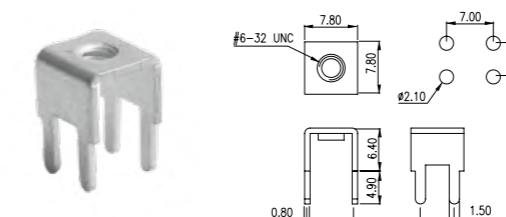
| | |
|----------|-------------------|
| Material | Brass, Tin plated |
| Rating | 80A |

Screw

S000001100-F

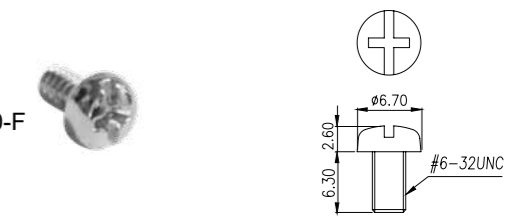


| | |
|---------------|------------------|
| Material | Steel, Ni plated |
| Size | #6-32 |
| Torque (N-m): | 0.8 |

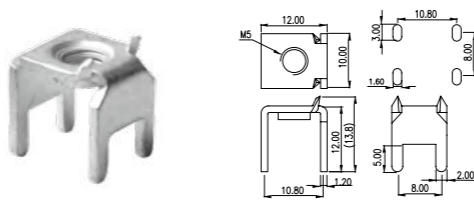
P-820

| | |
|----------|-------------------|
| Material | Brass, Tin plated |
| Rating | 50A |

S000001200-F



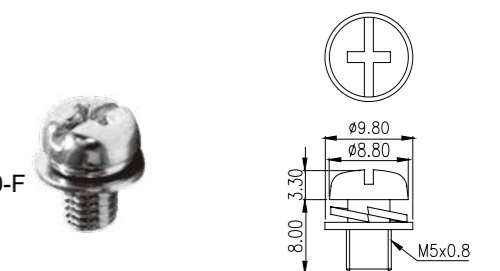
| | |
|---------------|------------------|
| Material | Steel, Ni plated |
| Size | #6-32 |
| Torque (N-m): | 0.8 |

P-830

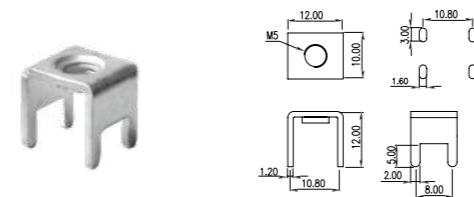
| | |
|----------|-------------------|
| Material | Brass, Tin plated |
| Rating | 85A |

Screw

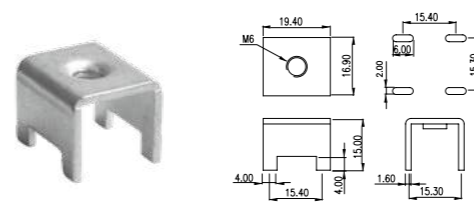
S000004700-F



| | |
|---------------|------------------|
| Material | Steel, Zn plated |
| Size | M5 |
| Torque (N-m): | 2 |

P-831

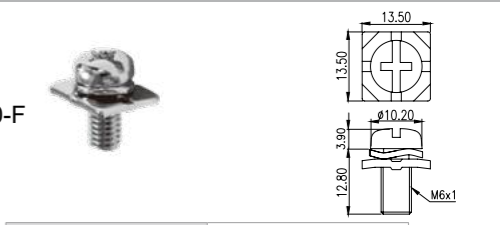
| | |
|----------|-------------------|
| Material | Brass, Tin plated |
| Rating | 85A |

P-840

| | |
|----------|-------------------|
| Material | Brass, Tin plated |
| Rating | 150A |

Screw

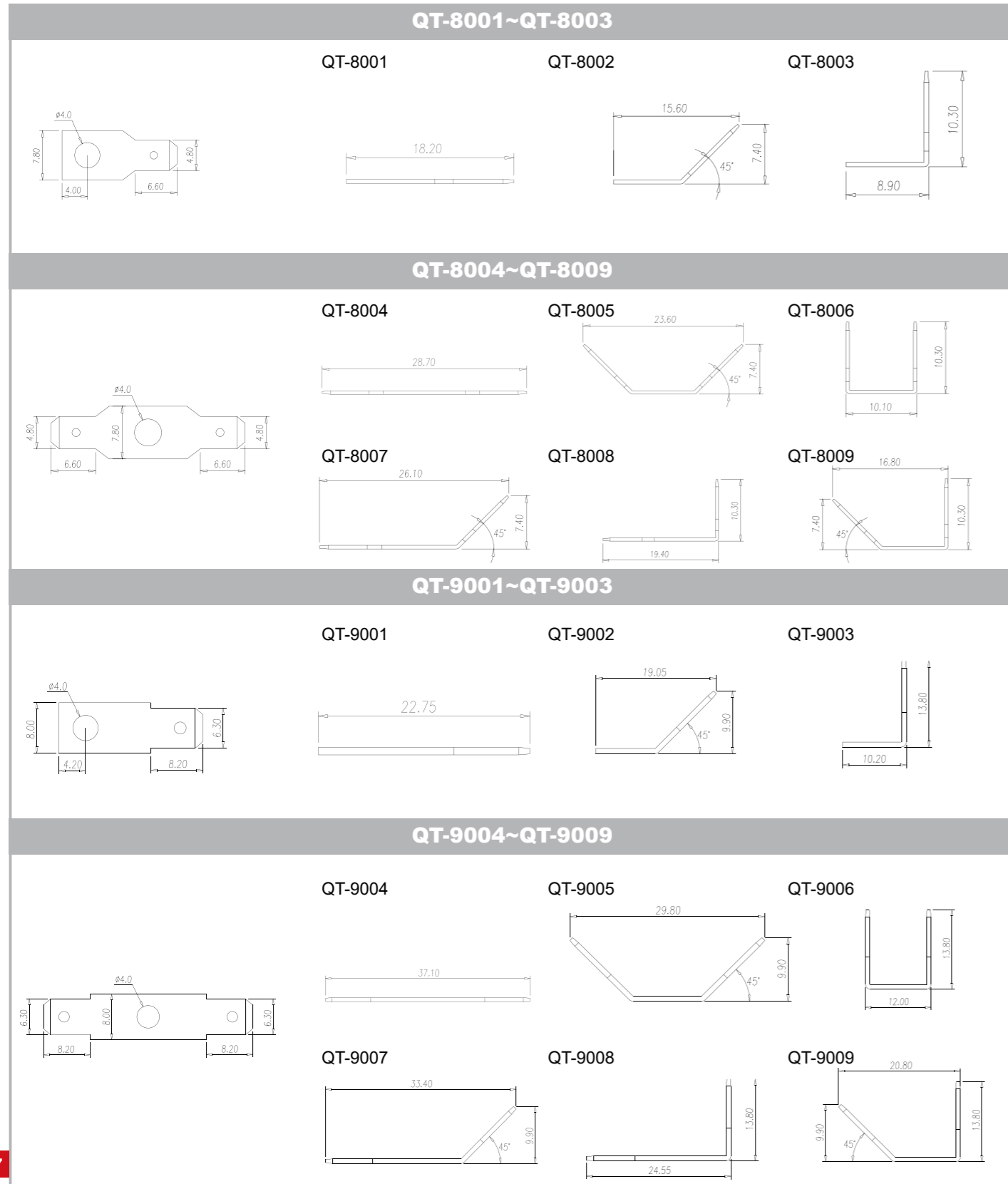
S000008400-F



| | |
|---------------|------------------|
| Material | Steel, Ni plated |
| Size | M6 |
| Torque (N-m): | 2.5 |

Quick PCB Tabs

PCB tabs are used to test receptacle insertion/extraction requirements quickly and simply. Double-ended test tab can be used for electrical and temperature rise testing. These terminals are designed according to the electrical test setup outlined in UL 310.



Index

| Part number | Page | Part number | Page | Part number | Page | Part number | Page |
|-------------|------|----------------|------|-----------------|------|--------------|------|
| 00 | | 0121-01XX | 45 | 0156-12XX | 17 | 0156-2DXX-BK | 19 |
| 0032-09XX | 152 | 0136-10XX | 101 | 0156-12XXL | 17 | 0156-9AXX | 20 |
| 0032-11XX | 151 | 0136-11XX | 101 | 0156-13XX | 17 | 0156-9BXX | 19 |
| 0032-14XX | 153 | 0136-20XX | 102 | 0156-13XXL | 17 | 0156-9CXX | 19 |
| 0032-15XX | 157 | 0136-21XX | 102 | 0156-15XX | 16 | 0156-9DXX | 20 |
| 0032-23XX | 158 | 0136-22XX | 102 | 0156-15XXL | 16 | 0157-10XXL | 18 |
| 0032-45XX | 158 | 0136-23XX | 102 | 0156-16XX | 17 | 0157-15XXL | 18 |
| 0040-0101E | 137 | 0137-11XX | 104 | 0156-16XXL | 17 | 0157-1BXX | 18 |
| 0040-0102E | 137 | 0137-40XX | 102 | 0156-17XX | 17 | 0159-01XX | 21 |
| 0040-0103E | 137 | 0137-41XX | 102 | 0156-17XXL | 17 | 0159-03XX | 21 |
| 0040-0104E | 137 | 0137-41XXM | 103 | 0156-18XX | 17 | 0159-04XX | 21 |
| 0040-0105E | 137 | 0138-10XX | 101 | 0156-18XXL | 17 | 0159-05XX | 22 |
| 0040-0106E | 137 | 0138-11XX | 101 | 0156-19XX | 17 | 0159-07XX | 22 |
| 0040-0107E | 137 | 0138-42XXL20 | 103 | 0156-19XXL | 17 | 0159-08XX | 22 |
| 0040-0108E | 137 | 0138-50XX | 102 | 0156-1AXX-BK | 17 | 0159-11XX | 21 |
| 0040-0212E | 137 | 0138-50XXL | 102 | 0156-1BXX-BK | 16 | 0159-11XXL | 21 |
| 0040-0213E | 137 | 0138-50XXSMDWR | 101 | 0156-1CXX-BK | 17 | 0159-11XXLWR | 84 |
| 0040-0214E | 137 | 0138-51XX | 102 | 0156-1DXX-BK | 17 | 0159-11XXWR | 84 |
| 0040-0215E | 137 | 0138-51XXL | 102 | 0156-20XX-BK | 19 | 0159-12XX | 21 |
| 0040-0216E | 137 | 0138-60XX | 106 | 0156-20XX-BK-WR | 84 | 0159-12XXL | 21 |
| 0040-0217E | 137 | 0138-60XXL | 106 | 0156-20XXL | 19 | 0159-12XXLWR | 84 |
| 0040-0218E | 137 | 0138-61XX | 106 | 0156-20XXLWR | 84 | 0159-12XXWR | 84 |
| 0040-0219E | 137 | 0138-61XXL | 106 | 0156-21XX-BK | 19 | 0159-13XX | 21 |
| 0040-0220E | 137 | 0138-70XX | 105 | 0156-21XX-BK-WR | 84 | 0159-13XXL | 21 |
| 0040-0221E | 137 | 0138-76XX | 105 | 0156-21XXL | 19 | 0159-31XX | 21 |
| 0040-0222E | 137 | 0141-01XX | 104 | 0156-21XXLWR | 84 | 0159-31XXL | 21 |
| 0040-0223E | 137 | 0141-21XX | 106 | 0156-22XX-BK | 20 | 0159-31XXLWR | 84 |
| 0040-0224E | 137 | 0141-22XX | 104 | 0156-22XXL | 20 | 0159-31XXWR | 84 |
| 0040-0225E | 137 | 0141-24XX | 106 | 0156-24XX-BK | 19 | 0159-32XX | 21 |
| 0040-0226E | 137 | 0150-20XX | 37 | 0156-24XX-BK-WR | 84 | 0159-32XXL | 21 |
| 0040-0227E | 137 | 0150-26XX | 37 | 0156-24XXL | 19 | 0159-32XXLWR | 84 |
| 0040-0228E | 137 | 0150-30XX | 38 | 0156-24XXLWR | 84 | 0159-32XXWR | 84 |
| 0040-0229E | 137 | 0150-36XX | 38 | 0156-25XX-BK | 19 | 0159-33XX | 22 |
| 0040-0301E | 137 | 0150-40XX | 38 | 0156-25XX-BK-WR | 84 | 0159-33XXL | 22 |
| 0040-0302E | 137 | 0150-46XX | 38 | 0156-25XXL | 19 | 0159K1L | 22 |
| 0040-0303E | 137 | 0151-01XX | 103 | 0156-25XXLWR | 84 | 0161-01XX | 93 |
| 0040-0305E | 137 | 0151-01XXL | 103 | 0156-26XX-BK | 19 | 0161-02XX | 93 |
| 0040-0308E | 137 | 0151-02XX | 103 | 0156-26XX-BK-WR | 84 | 0161-03XX | 93 |
| 0040-0311E | 137 | 0151-02XXL | 103 | 0156-26XXL | 19 | 0161-04XX | 93 |
| 0040-0314E | 137 | 0152-01XX | 104 | 0156-26XXLWR | 84 | 0161-11XX | 93 |
| 0040-0316E | 137 | 0152-02XX | 104 | 0156-27XX-BK | 20 | 0161-12XX | 93 |
| 0040-0318E | 137 | 0152-03XX | 104 | 0156-27XXL | 20 | 0161-13XX | 93 |
| 0040-0320E | 137 | 0152-53XX | 106 | 0156-29XX-BK | 19 | 0161-14XX | 93 |
| 0040-0322E | 137 | 0153-01XX | 105 | 0156-29XX-BK-WR | 84 | 0162-01XX | 90 |
| 0040-0324E | 137 | 0153-02XX | 105 | 0156-29XXL | 19 | 0162-06XX | 90 |
| 0040-0326E | 137 | 0153-41XX | 106 | 0156-29XXLWR | 84 | 0162-11XX | 90 |
| 01 | | 0153-91XX | 105 | 0156-2AXX-BK | 19 | 0162-A1XX | 90 |
| 0113-10XX | 158 | 0156-10XX | 16 | 0156-2BXX-BK | 19 | 0162-A6XX | 90 |
| 0113-22XX | 143 | 0156-10XXL | 16 | 0156-2CXX-BK | 19 | 0164-01XX | 90 |

| Part number | Page | Part number | Page | Part number | Page | Part number | Page |
|--------------|------|----------------|------|-------------------|------|--------------|------|
| 0164-01XX(T) | 90 | 0177-81XX | 107 | 0191-04XX | 89 | 0221-42XX | 33 |
| 0164-02XX | 90 | 0177-83XX | 107 | 0191-04XXC | 89 | 0221-43XX | 33 |
| 0164-11XX | 90 | 0177-86XX | 107 | 0191-05XX | 89 | 0221-44XX | 33 |
| 0164-11XXL | 90 | 0177-88XX | 107 | 0191-06XX | 88 | 0221-51XX-BK | 33 |
| 0164-12XX | 90 | 0177-B3XX | 108 | 0191-06XXC | 88 | 0221-51XXL | 33 |
| 0164-12XXL | 90 | 0181-A1XX | 92 | 0191-11XXTH | 89 | 0221-52XX-BK | 33 |
| 0164-A1XX | 90 | 0181-A3XX | 92 | 0191-12XXTH | 89 | 0221-52XXL | 33 |
| 0164-A1XX(T) | 90 | 0183-01XX | 64 | 0191-16XXTH | 88 | 0225-01XX | 23 |
| 0164-A2XX | 90 | 0183-01XXTXX | 64 | 02 | | 0225-02XX | 23 |
| 0166-80XX | 151 | 0183-11XX | 64 | 0218-21XX | 4 | 0225-03XX | 24 |
| 0166-80XXC | 151 | 0183-11XXTXX | 64 | 0218-21XXM0256-11 | 96 | 0225-04XX | 29 |
| 0167-10XX | 154 | 0184-01XX | 126 | 0218-21XXM0256-21 | 96 | 0225-05XX | 29 |
| 0167-50XX | 155 | 0184-11XX | 125 | 0218-21XXM0256-31 | 96 | 0225-06XX | 24 |
| 0167-52XX | 155 | 0184-13XX | 125 | 0218-23XX | 4 | 0225-07XX | 24 |
| 0167-70XX | 156 | 0184-15XX | 125 | 0218-23XXM0256-13 | 96 | 0225-08XX | 24 |
| 0167-80XX | 156 | 0184-16XX | 125 | 0218-23XXM0256-23 | 96 | 0225-09XX | 29 |
| 0167-80XXC | 156 | 0184-31XX | 126 | 0218-23XXM0256-33 | 96 | 0225-0AXX | 30 |
| 0167-90XX | 154 | 0184-33XX | 126 | 0218-25XX | 4 | 0225-13XX | 23 |
| 0168-10XX | 160 | 0184-35XX | 126 | 0218-25XXM0256-11 | 96 | 0225-13XXL | 23 |
| 0168-14XX | 160 | 0184-36XX | 126 | 0218-25XXM0256-21 | 96 | 0225-14XX | 23 |
| 0168-15XX | 160 | 0185-12XX | 103 | 0218-25XXM0256-31 | 96 | 0225-14XXL | 23 |
| 0168-20XX | 161 | 0185-13XX | 103 | 0218-27XX | 4 | 0225-16XX | 24 |
| 0168-24XX | 161 | 0185-31XX | 105 | 0218-27XXM0256-13 | 96 | 0225-16XXL | 24 |
| 0168-32XX | 162 | 0185-32XX | 105 | 0218-27XXM0256-23 | 96 | 0225-17XX | 24 |
| 0168-35XX | 162 | 0186-10XX | 147 | 0218-27XXM0256-33 | 96 | 0225-17XXL | 24 |
| 0168-40XX | 161 | 0186-40XX | 154 | 0218-2GXX | 4 | 0225-23XX | 23 |
| 0168-42XX | 162 | 0187-A4XX | 94 | 0218-2GXXM0256-13 | 95 | 0225-23XXL | 23 |
| 0168-43XX | 162 | 0188-01XXL | 100 | 0218-2GXXM0256-33 | 95 | 0225-24XX | 23 |
| 0168-45XX | 162 | 0188-01XXSMDWR | 100 | 0221-20XX | 31 | 0225-24XXL | 23 |
| 0168-50XX | 161 | 0188-02XXL | 100 | 0221-21XX | 32 | 0225-26XX | 24 |
| 0168-51XX | 161 | 0188-02XXSMDWR | 100 | 0221-22XX-BK | 31 | 0225-26XXL | 24 |
| 0168-54XX | 162 | 0188-12XXSMDWR | 104 | 0221-22XXL | 31 | 0225-27XX | 24 |
| 0168-62XX | 163 | 0189-202PL | 129 | 0221-23XXL | 31 | 0225-27XXL | 24 |
| 0168-63XX | 163 | 0189-202PR | 130 | 0221-24XX | 32 | 0225-33XX | 24 |
| 0168-65XX | 163 | 0189-203PL | 129 | 0221-25XX-BK | 31 | 0225-33XXL | 24 |
| 0171-10XX | 128 | 0189-203PR | 130 | 0221-25XXL | 31 | 0225-34XX | 24 |
| 0171-11XX | 128 | 0189-204PL | 129 | 0221-26XXL | 32 | 0225-34XXL | 24 |
| 0171-20XX | 128 | 0189-204PR | 130 | 0221-27XX-BK | 32 | 0225-36XX | 24 |
| 0171-21XX | 128 | 0189-212PL | 129 | 0221-27XXL | 32 | 0225-36XXL | 24 |
| 0171-60XX | 128 | 0189-212PR | 130 | 0221-28XX | 32 | 0225-37XX | 24 |
| 0177-03XX | 108 | 0189-213PL | 129 | 0221-29XX | 32 | 0225-37XXL | 24 |
| 0177-06XX | 108 | 0189-213PR | 130 | 0221-33XX-BK | 33 | 0225-46XX | 29 |
| 0177-08XX | 108 | 0189-214PL | 129 | 0221-33XXL | 33 | 0225-47XX | 29 |
| 0177-31XX | 107 | 0189-214PR | 130 | 0221-35XXL | 32 | 0225-56XX | 29 |
| 0177-33XX | 107 | 0189-25XX | 130 | 0221-36XXL | 32 | 0225-57XX | 29 |
| 0177-51XX | 108 | 0191-01XX | 89 | 0221-39XX-BK | 33 | 0225-66XX | 29 |
| 0177-53XX | 108 | 0191-01XXC | 89 | 0221-39XXL | 33 | 0225-67XX | 29 |
| 0177-76XX | 108 | 0191-02XX | 89 | 0221-41XX-BK | 31 | 0225-76XX | 30 |
| 0177-78XX | 108 | 0191-02XXC | 89 | 0221-41XXL | 31 | 0225-77XX | 30 |

| Part number | Page | Part number | Page | Part number | Page | Part number | Page |
|-------------|------|--------------|------|----------------|------|---------------|------|
| 0225K1 | 24 | 0227-17XXL | 28 | 0256-34XX | 4 | 0288-ADXX | 95 |
| 0225K2L | 24 | 0227-23XX | 27 | 0256-61XX | 5 | 0290-11XX | 11 |
| 0225K3 | 24 | 0227-23XXL | 27 | 0256-62XX | 5 | 0290-21XX | 11 |
| 0225K4L | 24 | 0227-24XX | 27 | 0256-63XX | 5 | 0290-31XX | 12 |
| 0226-01XX | 25 | 0227-24XXL | 27 | 0256-64XX | 6 | 0290-32XX | 12 |
| 0226-02XX | 25 | 0227-26XX | 28 | 0256-71XX | 5 | 0290-41XXYB | 13 |
| 0226-03XX | 25 | 0227-26XXL | 28 | 0256-72XX | 5 | 0290-42XXP3YD | 13 |
| 0226-06XX | 26 | 0227-27XX | 28 | 0256-73XX | 5 | 0290-42XXYD | 13 |
| 0226-07XX | 26 | 0227-27XXL | 28 | 0256-74XX | 6 | 0290-51XX | 13 |
| 0226-08XX | 26 | 0227-33XX | 27 | 0256-81XX | 5 | 0290-51XXM | 13 |
| 0226-13XX | 25 | 0227-33XXL | 27 | 0256-82XX | 5 | 1 | |
| 0226-13XXL | 25 | 0227-34XX | 27 | 0256-83XX | 5 | 141R-XXP | 101 |
| 0226-14XX | 25 | 0227-34XXL | 27 | 0256-84XX | 6 | 141V-XXP | 101 |
| 0226-14XXL | 25 | 0227-36XX | 28 | 0257-11XX | 7 | 142R-XXP | 105 |
| 0226-16XX | 26 | 0227-36XXL | 28 | 0257-12XX | 7 | 142V-XXP | 105 |
| 0226-16XXL | 26 | 0227-37XX | 28 | 0257-14XX | 7 | 2 | |
| 0226-17XX | 26 | 0227-37XXL | 28 | 0257-21XX | 7 | 2DC-B01W-XX | 158 |
| 0226-17XXL | 26 | 0227K1 | 27 | 0257-22XX | 7 | 2DD-B01W-XX | 158 |
| 0226-23XX | 25 | 0227K2L | 28 | 0257-24XX | 7 | 2EEHDR-XXP | 77 |
| 0226-23XXL | 25 | 0228-21XX | 128 | 0257-31XX | 7 | 2EEHDRM-XXP | 77 |
| 0226-24XX | 25 | 0228-22XX | 128 | 0257-32XX | 7 | 2EEHDV-XXP | 77 |
| 0226-24XXL | 25 | 0228-23XX | 128 | 0257-34XX | 7 | 2EEHDVM-XXP | 77 |
| 0226-26XX | 26 | 0229-A5XXY | 98 | 0257-61XX | 8 | 2EHDA-XXP | 75 |
| 0226-26XXL | 26 | 0229-A9XXY | 98 | 0257-62XX | 8 | 2EHDAC-XXP | 75 |
| 0226-27XX | 26 | 0229-F4XX | 29 | 0257-64XX | 8 | 2EHDBR-XXP | 77 |
| 0226-27XXL | 26 | 0229-F5XX | 29 | 0257-71XX | 8 | 2EHDBRM-XXP | 77 |
| 0226-33XX | 25 | 0229-F5XXY | 98 | 0257-72XX | 8 | 2EHDBV-XXP | 77 |
| 0226-33XXL | 25 | 0229-F9XX | 29 | 0257-74XX | 8 | 2EHDBVM-XXP | 77 |
| 0226-34XX | 25 | 0229-F9XXY | 98 | 0257-81XX | 8 | 2EHDP-XXP | 81 |
| 0226-34XXL | 25 | 0229-FAXX | 30 | 0257-82XX | 8 | 2EHDPN-XXP | 82 |
| 0226-36XX | 26 | 0229-M5XXY | 98 | 0257-84XX | 8 | 2EHDR-XXP | 76 |
| 0226-36XXL | 26 | 0229-M9XXY | 98 | 0258-61XX | 9 | 2EHDR-XXPL | 76 |
| 0226-37XX | 26 | 0234-20XX-MW | 40 | 0275-11XX | 11 | 2EHDR-XXPLWR | 87 |
| 0226-37XXL | 26 | 0234-26XX | 40 | 0275-11XXY5 | 11 | 2EHDR-XXPWR | 87 |
| 0227-01XX | 27 | 0234-30XX-MW | 40 | 0275-21XX | 11 | 2EHDRC-XXP | 76 |
| 0227-02XX | 27 | 0234-36XX | 40 | 0275-31XX | 12 | 2EHDRC-XXPL | 76 |
| 0227-03XX | 27 | 0254-20XX | 40 | 0275-32XX | 12 | 2EHDRC-XXPLWR | 87 |
| 0227-04XX | 27 | 0254-30XX | 40 | 0276-21XX | 11 | 2EHDRC-XXPWR | 87 |
| 0227-06XX | 28 | 0256-11XX | 3 | 0288-1AXX | 15 | 2EHDRG-XXP | 75 |
| 0227-07XX | 28 | 0256-12XX | 3 | 0288-1DXX | 16 | 2EHDRM-XXP | 76 |
| 0227-08XX | 28 | 0256-13XX | 3 | 0288-2AXX | 95 | 2EHDRM-XXPL | 76 |
| 0227-09XX | 28 | 0256-14XX | 4 | 0288-6AXXSMDWR | 15 | 2EHDRM-XXPLWR | 87 |
| 0227-13XX | 27 | 0256-21XX | 3 | 0288-6AXXLWR | 15 | 2EHDRM-XXPWR | 87 |
| 0227-13XXL | 27 | 0256-22XX | 3 | 0288-6BXXSMDWR | 15 | 2EHDRR-XXPL | 76 |
| 0227-14XX | 27 | 0256-23XX | 3 | 0288-6BXXLWR | 16 | 2EHDRRC-XXPL | 76 |
| 0227-14XXL | 27 | 0256-24XX | 4 | 0288-8AXXSMDWR | 16 | 2EHDRRM-XXPL | 76 |
| 0227-16XX | 28 | 0256-31XX | 3 | 0288-8BXXSMDWR | 16 | 2EHDV-XXP | 76 |
| 0227-16XXL | 28 | 0256-32XX | 3 | 0288-9AXXSMDWR | 15 | 2EHDV-XXPL | 76 |
| 0227-17XX | 28 | 0256-33XX | 3 | 0288-AAXX | 95 | 2EHDV-XXPLWR | 87 |

| Part number | Page | Part number | Page | Part number | Page | Part number | Page |
|---------------|------|--------------|------|----------------|------|----------------|------|
| 2EHDV-XXPWR | 87 | 2ESVK-XXP | 36 | 5EEHDVC-XXP | 74 | 5EHDRRM-XXPLWR | 85 |
| 2EHDVC-XXP | 76 | 2ESVM-XXP | 36 | 5EEHDVM-XXP | 74 | 5EHDV-XXP | 73 |
| 2EHDVC-XXPL | 76 | 3 | | 5EH-2PL | 129 | 5EHDV-XXPL | 73 |
| 2EHDVC-XXPLWR | 87 | 3EHDR-XXP | 78 | 5EH-2PLL | 129 | 5EHDV-XXPLWR | 86 |
| 2EHDVC-XXPWR | 87 | 3EHDR-XXPWR | 87 | 5EH-2PR | 130 | 5EHDV-XXPWR | 86 |
| 2EHDVG-XXP | 75 | 3EHDR-XXP | 78 | 5EH-2PRL | 130 | 5EHDVC-XXP | 73 |
| 2EHDVM-XXP | 76 | 3EHDR-XXPWR | 87 | 5EH-3PL | 129 | 5EHDVC-XXPL | 73 |
| 2EHDVM-XXPL | 76 | 3EHDRM-XXP | 78 | 5EH-3PLL | 129 | 5EHDVC-XXPLWR | 86 |
| 2EHDVM-XXPLWR | 87 | 3EHDRM-XXPWR | 87 | 5EH-3PR | 130 | 5EHDVC-XXPWR | 86 |
| 2EHDVM-XXPWR | 87 | 3EHDV-XXP | 78 | 5EH-3PRL | 130 | 5EHDVG-XXP | 74 |
| 2ESDA-XXP | 55 | 3EHDV-XXPWR | 87 | 5EH-4PL | 129 | 5EHDVM-XXP | 74 |
| 2ESDAM-XXP | 55 | 3EHDVC-XXP | 78 | 5EH-4PLL | 129 | 5EHDVM-XXPL | 74 |
| 2ESDB-XXP | 94 | 3EHDVC-XXPWR | 87 | 5EH-4PR | 130 | 5EHDVM-XXPLWR | 86 |
| 2ESDBA-XXP | 94 | 3EHDVM-XXP | 78 | 5EH-4PRL | 130 | 5EHDVM-XXPWR | 86 |
| 2ESDBAM-XXP | 94 | 3EHDVM-XXPWR | 87 | 5EHDBR-XXP | 74 | 5ES-2PL | 129 |
| 2ESDBM-XXP | 94 | 3ESDPL-XXP | 57 | 5EHDBRM-XXP | 74 | 5ES-2PR | 130 |
| 2ESDCR-XXP | 121 | 3ESDPLM-XXP | 57 | 5EHDBV-XXP | 74 | 5ES-3PL | 129 |
| 2ESDCRM-XXP | 121 | 3ESDP-XXP | 57 | 5EHDBVM-XXP | 74 | 5ES-3PR | 130 |
| 2ESDCV-XXP | 121 | 3ESDPM-XXP | 57 | 5EHDKM-XXP/1.0 | 81 | 5ES-4PL | 129 |
| 2ESDCVM-XXP | 121 | 3ESDS-XXP | 46 | 5EHDKM-XXP/1.2 | 82 | 5ES-4PR | 130 |
| 2ESDF-XXP | 53 | 3ESDSM-XXP | 46 | 5EHDKM-XXP/1.4 | 82 | 5ESDA-XXP | 53 |
| 2ESDFM-XXP | 53 | 3ESDSR-XXP | 46 | 5EHDKM-XXP/1.6 | 82 | 5ESDAM-XXP | 53 |
| 2ESDL-XXP | 56 | 3ESDSRH-XXP | 46 | 5EHDKM-XXP/1.0 | 81 | 5ESDF-XXP | 52 |
| 2ESDPL-XXP | 56 | 3ESDSRHM-XXP | 46 | 5EHDK-XXP/1.0 | 81 | 5ESDFM-XXP | 52 |
| 2ESDPLM-XXP | 56 | 3ESDSRM-XXP | 46 | 5EHDK-XXP/1.2 | 82 | 5ESDG-XXP | 126 |
| 2ESDP-XXP | 55 | 3ESDVH-XXP | 58 | 5EHDK-XXP/1.4 | 82 | 5ESDPL-XXP | 54 |
| 2ESDPM-XXP | 55 | 3ESDVHM-XXP | 58 | 5EHDK-XXP/1.6 | 82 | 5ESDPLM-XXP | 54 |
| 2ESDS-XXP | 44 | 3ESDV-XXP | 57 | 5EHDR-XXP | 73 | 5ESDP-XXP | 53 |
| 2ESDSM-XXP | 44 | 3ESDVM-XXP | 57 | 5EHDR-XXPL | 73 | 5ESDPM-XXP | 53 |
| 2ESDSR-XXP | 44 | 3ESNPH-XXP | 62 | 5EHDR-XXPLWR | 86 | 5ESDSM-XXP | 43 |
| 2ESDSRM-XXP | 44 | 3ESNPHL-XXP | 62 | 5EHDR-XXPWR | 86 | 5ESDSR-XXP | 43 |
| 2ESDSV-XXP | 45 | 3ESNPHLM-XXP | 62 | 5EHDR-XXP | 73 | 5ESDSRM-XXP | 43 |
| 2ESDSVK-XXP | 45 | 3ESNPHM-XXP | 62 | 5EHDR-XXPL | 73 | 5ESDS-XXP | 43 |
| 2ESDSVM-XXP | 45 | 3ESNPL-XXP | 61 | 5EHDR-XXPLWR | 86 | 5ESDTS-XXP | 51 |
| 2ESDV-XXP | 92 | 3ESNPLM-XXP | 61 | 5EHDR-XXPWR | 86 | 5ESDT-XXP | 51 |
| 2ESDVBM-XXP | 92 | 3ESNPLS-XXP | 61 | 5EHDRG-XXP | 74 | 5ESDV-XXP | 53 |
| 2ESDV-XXP | 55 | 3ESNPLSM-XXP | 61 | 5EHDRM-XXP | 74 | 5ESDVM-XXP | 53 |
| 2ESDVH-XXP | 54 | 3ESNP-XXP | 61 | 5EHDRM-XXPL | 74 | 5ESR-XXP | 34 |
| 2ESDVM-XXP | 55 | 3ESNPM-XXP | 61 | 5EHDRM-XXPLWR | 86 | 5ESRK-XXP | 34 |
| 2ESDVNM-XXP | 56 | 3ESNPS-XXP | 61 | 5EHDRM-XXPWR | 86 | 5ESRM-XXP | 34 |
| 2ESDVS-03P | 55 | 3ESNPSM-XXP | 61 | 5EHDR-XXP | 73 | 5ESV-XXP | 34 |
| 2ESH-XXP | 122 | 3ESNVH-XXP | 62 | 5EHDR-XXPL | 73 | 5ESVK-XXP | 34 |
| 2ESHM-XXP | 122 | 3ESNVHM-XXP | 62 | 5EHDR-XXPLWR | 85 | 5ESVM-XXP | 34 |
| 2ESR-XXP | 36 | 4 | | 5EHDR-XXPWR | 85 | 6 | |
| 2ESRK-XXP | 36 | 4DC-B01W-XX | 157 | 5EHDRRC-XXP | 73 | 7 | |
| 2ESRM-XXP | 36 | 5 | | 5EHDRRC-XXPL | 73 | 7EHDR-XXP | 78 |
| 2ESS-XXP | 35 | 5EEHDR-XXP | 74 | 5EHDRRC-XXPLWR | 85 | 7EHDR-XXP | 78 |
| 2ESSM-XXP | 35 | 5EEHDRM-XXP | 74 | 5EHDRRC-XXPWR | 85 | 7EHDRM-XXP | 78 |
| 2ESV-XXP | 36 | 5EEHDV-XXP | 74 | 5EHDRRM-XXPL | 74 | 7EHDV-XXP | 78 |

| Part number | Page | Part number | Page | Part number | Page | Part number | Page |
|-------------|------|---------------|------|----------------|------|------------------|------|
| 7EHDVC-XXP | 78 | DT-123HVR-XXP | 118 | DT-7C-B18W-XX | 150 | EC880HV-XXP | 64 |
| 7EHDVM-XXP | 78 | DT-123RA-XXP | 117 | DT-89-B01W-XX | 148 | EC880HVT-XXP | 64 |
| 7ES-3PL | 131 | DT-123RA-XXP3 | 117 | E | | ECH116HRS-XXP | 65 |
| 7ES-3PR | 131 | DT-123VA-XXP | 117 | E2HK500V-XXPAM | 112 | ECH116HRSM-XXP | 65 |
| 7ESDPL-XXP | 57 | DT-123VA-XXP3 | 117 | E2HK508V-XXPAM | 114 | ECH116HVS-XXP | 65 |
| 7ESDPLM-XXP | 57 | DT-2300-XXP | 117 | E2LK508V-XXP | 112 | ECH116HVSM-XXP | 65 |
| 7ESDP-XXP | 57 | DT-2301-XXP | 117 | E3K381V-XXP | 110 | ECH116L-XXP | 65 |
| 7ESDPM-XXP | 57 | DT-2320-XXP | 118 | E3K500V-XXP | 111 | ECH116R-XXP | 65 |
| 7ESDV-XXP | 57 | DT-2321-XXP | 118 | E3K508V-XXP | 114 | ECH116RM-XXP | 65 |
| 7ESDVM-XXP | 57 | DT-25-A02W-XX | 145 | EC116CV-XXP | 124 | ECH116V-XXP | 65 |
| A | | DT-25-B01W-XX | 145 | EC116CVM-XXP | 124 | ECH150RM-XXP | 66 |
| B | | DT-25-B07W-XX | 146 | EC116V-XXP | 65 | ECH250R-XXP | 68 |
| BST-111-05 | 127 | DT-25-B14W-XX | 146 | EC116VM-XXP | 65 | ECH250R-XXPL | 68 |
| BST-112-05 | 127 | DT-29-B01W-XX | 152 | EC150VM-XXP | 66 | ECH250V-XXP | 68 |
| BST-120-05 | 127 | DT-29-B02W-XX | 152 | EC350CR-XXP | 121 | ECH250V-XXPL | 68 |
| BST-220-05 | 127 | DT-2G-A02W-XX | 145 | EC350CV-XXP | 121 | ECH350H-XXP | 70 |
| C | | DT-2G-B01W-XX | 145 | EC350F-XXP | 50 | ECH350R-XXP | 69 |
| CPC350-XXP | 126 | DT-2G-B14W-XX | 146 | EC350FM-XXP | 50 | ECH350R-XXPL | 69 |
| CSC-01XX | 66 | DT-31-B01W-XX | 146 | EC350R-XXP | 49 | ECH350R-XXPLWR | 85 |
| D | | DT-35-A02W-XX | 146 | EC350RL-XXP | 49 | ECH350R-XXPWR | 85 |
| DEG-02P | 133 | DT-35-B01W-XX | 146 | EC350RLM-XXP | 49 | ECH350RD-XXP | 69 |
| DEG-04P | 133 | DT-39-B01W-XX | 153 | EC350RM-XXP | 49 | ECH350RG-XXP | 70 |
| DEGH-03P | 134 | DT-39-B02W-XX | 153 | EC350V-XXP | 49 | ECH350RJ-XXP | 32 |
| DEGH-06P | 134 | DT-3C-B01W-XX | 148 | EC350VM-XXP | 49 | ECH350RJ-XXPL | 32 |
| DEGM-03P | 133 | DT-45-A02W-XX | 147 | EC381CR-XXP | 122 | ECH350RM-XXP | 32 |
| DEGM-06P | 133 | DT-45-B01W-XX | 147 | EC381CV-XXP | 122 | ECH350RM-XXPL | 32 |
| DEGM-12P | 133 | DT-49-B01W-XX | 153 | EC381F-XXP | 50 | ECH350RM-XXPLWR | 85 |
| DMEN-S2P | 134 | DT-49-B02W-XX | 153 | EC381FM-XXP | 50 | ECH350RM-XXPWR | 85 |
| DMEN-S3P | 134 | DT-49-C91W-XX | 154 | EC381L-XXP | 51 | ECH350RR-XXP | 69 |
| DMEN-S4P | 134 | DT-4C-B01W-XX | 147 | EC381LM-XXP | 51 | ECH350RR-XXPL | 69 |
| DMEN-T2P | 134 | DT-4C-B14W-XX | 147 | EC381R-XXP | 49 | ECH350RR-XXPLWR | 85 |
| DMEN-T3P | 134 | DT-55-B01W-XX | 148 | EC381RL-XXP | 49 | ECH350RR-XXPWR | 85 |
| DMEN-T4P | 134 | DT-55-B14W-XX | 148 | EC381RLM-XXP | 49 | ECH350RRM-XXP | 69 |
| DMER-10 | 135 | DT-5C-B01W-XX | 149 | EC381RM-XXP | 49 | ECH350RRM-XXPL | 69 |
| DMER-41 | 135 | DT-5C-B81W-XX | 148 | EC381V-XXP | 49 | ECH350RRM-XXPLWR | 85 |
| DMES-T2P | 134 | DT-5C-B84W-XX | 148 | EC381VK-XXP | 51 | ECH350RRM-XXPWR | 85 |
| DMM-2251-22 | 132 | DT-65-A02W-XX | 150 | EC381VM-XXP | 49 | ECH350RT-XXPL | 70 |
| DMM-2251-33 | 132 | DT-65-B01W-XX | 150 | EC508F-XXP | 52 | ECH350RT-XXPLWR | 85 |
| DMM-2252-22 | 132 | DT-65-B14W-XX | 150 | EC508FM-XXP | 52 | ECH350V-XXP | 69 |
| DMM-2252-33 | 132 | DT-66-B01W-XX | 149 | EC508V-XXP | 52 | ECH350V-XXPL | 69 |
| DMM-2254-33 | 132 | DT-66-B02W-XX | 149 | EC508VM-XXP | 52 | ECH350V-XXPLWR | 85 |
| DMUG-22 | 134 | DT-66-B11W-XX | 150 | EC762CR-XXP | 123 | ECH350V-XXPWR | 85 |
| DMUG-45 | 134 | DT-66-C01W-XX | 149 | EC762H-XXP | 80 | ECH350VD-XXP | 69 |
| DS-201 | 165 | DT-66-C11W-XX | 150 | EC762HLNM-XXP | 63 | ECH350VJ-XXP | 32 |
| DS-301 | 165 | DT-69-B01W-XX | 154 | EC762HV-XXP | 63 | ECH350VJ-XXPL | 32 |
| DS-401 | 165 | DT-69-H53W-XX | 155 | EC762HVM-XXP | 63 | ECH350VM-XXP | 32 |
| DS-601 | 165 | DT-79-B01W-XX | 156 | EC762HVM-XXP | 63 | ECH350VM-XXPL | 32 |
| DS-701 | 165 | DT-7C-A02W-XX | 150 | EC762HVN-XXP | 63 | ECH350VM-XXPLWR | 85 |
| DS-701R | 165 | DT-7C-B01W-XX | 150 | EC762V-XXP | 80 | ECH350VM-XXPWR | 85 |

| Part number | Page | Part number | Page | Part number | Page | Part number | Page |
|------------------|------|-----------------|------|---------------|------|---------------|------|
| ECH350VT-XXPL | 70 | ECH762V-XXP | 79 | EEK381V-XXP | 110 | EPK635VN-XXP | 113 |
| ECH350VT-XXPLWR | 85 | ECH762VM-XXP | 79 | EEK500V-XXP | 111 | ESC250L-XXP | 41 |
| ECH381A-XXP | 72 | ECH762VTM-XXP | 79 | EEK508V-XXP | 114 | ESC250V-XXP | 41 |
| ECH381AM-XXP | 72 | ECH880HR-XXP | 64 | EELK508V-XXP | 111 | ESC350V-XXP | 42 |
| ECH381H-XXP | 72 | ECH880RT-XXP | 64 | EESK381V-XXP | 110 | ESC350VK-XXP | 42 |
| ECH381R-XXP | 71 | ECHB250R-XXP | 68 | EHDK1 | 66 | ESC350VM-XXP | 42 |
| ECH381R-XXPL | 71 | ECHB250V-XXP | 68 | EHDK1L | 66 | ESC381V-XXP | 42 |
| ECH381R-XXPLWR | 86 | ECHB350R-XXP | 70 | EHK2V-XXP | 113 | ESC381VK-XXP | 42 |
| ECH381R-XXPWR | 86 | ECHB350RM-XXP | 70 | EHK381V-XXP | 110 | ESC381VM-XXP | 42 |
| ECH381RD-XXP | 71 | ECHB350V-XXP | 70 | EHK3V-XXP | 115 | ESC508V-XXP | 44 |
| ECH381RJ-XXP | 33 | ECHB350VM-XXP | 70 | EHK500R-XXP | 112 | ESC508VM-XXP | 44 |
| ECH381RJ-XXPL | 33 | ECHB381R-XXP | 72 | EHK508V2L-XXP | 114 | ESDK1 | 66 |
| ECH381RM-XXP | 71 | ECHB381RM-XXP | 72 | EHK508V3L-XXP | 114 | ESDK2 | 66 |
| ECH381RM-XXPL | 71 | ECHB381RRD-XXP | 72 | EHK5V3L-XXP | 111 | ESK116R-XXPAM | 116 |
| ECH381RM-XXPLWR | 86 | ECHB381V-XXP | 72 | EHK5V-XXP | 112 | ESK116V-XXP | 116 |
| ECH381RM-XXPWR | 86 | ECHB381VM-XXP | 72 | EHK7V-XXP | 113 | ESK150V-XXP | 115 |
| ECH381RR-XXP | 71 | ECHK1 | 66 | EK254V-XXP | 109 | ESK150VM-XXP | 115 |
| ECH381RR-XXPL | 71 | ECHK1L | 66 | EK350A-XXP | 110 | ESK175V-XXP | 116 |
| ECH381RR-XXPLWR | 86 | ECHK2 | 66 | EK350V-XXP | 109 | ESK175VM-XXP | 116 |
| ECH381RR-XXPWR | 86 | ECHP381V-XXP | 81 | EK350V4L-XXP | 110 | ESK200VM-XXP | 116 |
| ECH381RRM-XXP | 71 | ECHP762V-XXP | 82 | EK381A-XXP | 110 | ESK381R-XXP | 110 |
| ECH381RRM-XXPL | 71 | ECSH116K-XXP | 98 | EK381V-XXP | 109 | ESK381V-XXP | 109 |
| ECH381RRM-XXPLWR | 86 | ECSH116MK-XXP | 98 | EK381V3L-XXP | 109 | ESK381V4L-XXP | 110 |
| ECH381RRM-XXPWR | 86 | ECSH116M-XXP | 98 | EK381V4L-XXP | 109 | ESK508V-XXP | 114 |
| ECH381V-XXP | 71 | ECSH116V-XXP | 98 | EK500A-XXP | 111 | ESK508V3L-XXP | 113 |
| ECH381V-XXPL | 71 | ECSH116VM-XXP | 124 | EK500R-XXP | 111 | ESK508V4L-XXP | 113 |
| ECH381V-XXPLWR | 86 | ECSH381K-XXP | 122 | EK500V-XXP | 111 | ESK635V-XXP | 114 |
| ECH381V-XXPWR | 86 | ECSH381MK-XXP | 122 | EK500V2L-XXP | 112 | ESK750V-XXP | 114 |
| ECH381VD-XXP | 71 | ECSH381V-XXP | 122 | EK500V3L-XXP | 112 | ESK762V-XXP | 116 |
| ECH381VJ-XXP | 33 | ECSH381VM-XXP | 122 | EK500V4L-XXP | 112 | ESKW116V-XXP | 116 |
| ECH381VJ-XXPL | 33 | ECSH762FS-XXP | 123 | EK508A-XXP | 112 | F~J | |
| ECH381VM-XXP | 71 | ECSH762SS-XXP | 123 | EK508R-XXP | 112 | K | |
| ECH381VM-XXPL | 71 | ECSH762V-XXP | 123 | EK508V-XXP | 112 | KMRF-XXXX | 138 |
| ECH381VM-XXPLWR | 86 | ED130F-XXP | 88 | EK508V2L-XXP | 113 | KMRH-K175 | 138 |
| ECH381VM-XXPWR | 86 | ED130T-XXP | 88 | EK508V3L-XXP | 113 | KMRT-XXXX | 138 |
| ECH508R-XXP | 75 | EDH130-21XX | 88 | EK508V4L-XXP | 113 | L~O | |
| ECH508RM-XXP | 75 | EDH130-21XXTHT | 88 | EK750V-XXP | 114 | P | |
| ECH508V-XXP | 75 | EDH130F-XX/12.6 | 88 | EK950HVN-XXP | 115 | P-610 | 166 |
| ECH508VM-XXP | 75 | EDH130F-XXTH126 | 88 | EK950V-XXP | 115 | P-620 | 166 |
| ECH762HR-XXP | 79 | EDH130S-20XXTHT | 89 | EKB635V-XXP | 114 | P-810 | 166 |
| ECH762HRM-XXP | 79 | EECH350R-XXP | 70 | EKB762V-XXP | 116 | P-820 | 166 |
| ECH762HRR-XXP | 79 | EECH350RM-XXP | 70 | ELK500B-XXP | 110 | P-830 | 166 |
| ECH762R-XXP | 79 | EECH350V-XXP | 70 | ELK500S-XXP | 110 | P-831 | 166 |
| ECH762RE-XXP | 80 | EECH350VM-XXP | 70 | ELK500V-XXP | 110 | P-840 | 166 |
| ECH762RM-XXP | 79 | EECH381R-XXP | 72 | ELK508S-XXP | 112 | P-850 | 165 |
| ECH762RR-XXP | 79 | EECH381RM-XXP | 72 | ELK508V-XXP | 111 | P-851 | 165 |
| ECH762RRE-XXP | 80 | EECH381V-XXP | 72 | ELK508V3L-XXP | 111 | P-860 | 165 |
| ECH762RRM-XXP | 79 | EECH381VM-XXP | 72 | EPK116VN-XXP | 115 | P-861 | 165 |
| ECH762RTM-XXP | 79 | EEHK2V-XXP | 113 | EPK116VS-XXP | 115 | P-871 | 165 |

| Part number | Page | Part number | Page | Part number | Page | Part number | Page |
|-------------|------|--------------|------|-------------|------|-------------|------|
| P-872 | 165 | RYPSM-05F | 138 | | | | |
| PDS-10-XX | 118 | S | | | | | |
| PDS-10A-XX | 118 | S000001100-F | 166 | | | | |
| PDS-10S-XX | 118 | S000001200-F | 166 | | | | |
| PPAC-10SS | 141 | S000004700-F | 166 | | | | |
| PPAC-10SSG | 141 | S000008400-F | 166 | | | | |
| PPAC-16 | 140 | SDH-002 | 38 | | | | |
| PPAC-16AS | 140 | SDH-003 | 38 | | | | |
| PPAC-16SS | 141 | T ~ V | | | | | |
| PPAC-16SSG | 141 | W | | | | | |
| PPAC-25 | 140 | W3K500-XXP | 120 | | | | |
| PPAC-25AS | 140 | W3K508-XXP | 120 | | | | |
| PPAC-25SS | 142 | W4K500-XXP | 120 | | | | |
| PPAC-4SS | 141 | W4K508-XXP | 120 | | | | |
| PPAC-4SSG | 141 | WKA250A-XXP | 119 | | | | |
| PPAC-50 | 140 | WKA254A-XXP | 120 | | | | |
| PPAC-50AS | 140 | WKA500-XXP | 119 | | | | |
| PPAC-95 | 141 | WKA500-XXPL | 119 | | | | |
| PPAC-95MAS | 141 | WKA508-XXP | 119 | | | | |
| PPACN-10 | 139 | WKA50B-XXP | 119 | | | | |
| PPACN-10AS | 139 | WKK500-XXP | 120 | | | | |
| PPACN-10Z | 139 | WKK508-XXP | 120 | | | | |
| PPACN-4 | 139 | WKV250A-XXP | 120 | | | | |
| PPACNV-4 | 139 | WKV254A-XXP | 120 | | | | |
| PPACV-16 | 140 | WSKA100-XXP | 120 | | | | |
| PPACV-16AS | 140 | WSKA500S-XXP | 119 | | | | |
| Q | | WSKA750S-XXP | 120 | | | | |
| QT-8001 | 167 | | | | | | |
| QT-8002 | 167 | | | | | | |
| QT-8003 | 167 | | | | | | |
| QT-8004 | 167 | | | | | | |
| QT-8005 | 167 | | | | | | |
| QT-8006 | 167 | | | | | | |
| QT-8007 | 167 | | | | | | |
| QT-8008 | 167 | | | | | | |
| QT-8009 | 167 | | | | | | |
| QT-9001 | 167 | | | | | | |
| QT-9002 | 167 | | | | | | |
| QT-9003 | 167 | | | | | | |
| QT-9004 | 167 | | | | | | |
| QT-9005 | 167 | | | | | | |
| QT-9006 | 167 | | | | | | |
| QT-9007 | 167 | | | | | | |
| QT-9008 | 167 | | | | | | |
| QT-9009 | 167 | | | | | | |
| R | | | | | | | |
| RYPS-05N | 138 | | | | | | |
| RYPS-08N | 138 | | | | | | |
| RYPSA-04N | 138 | | | | | | |

