



**因联结而喜悦!!**  
Delight Through Connections

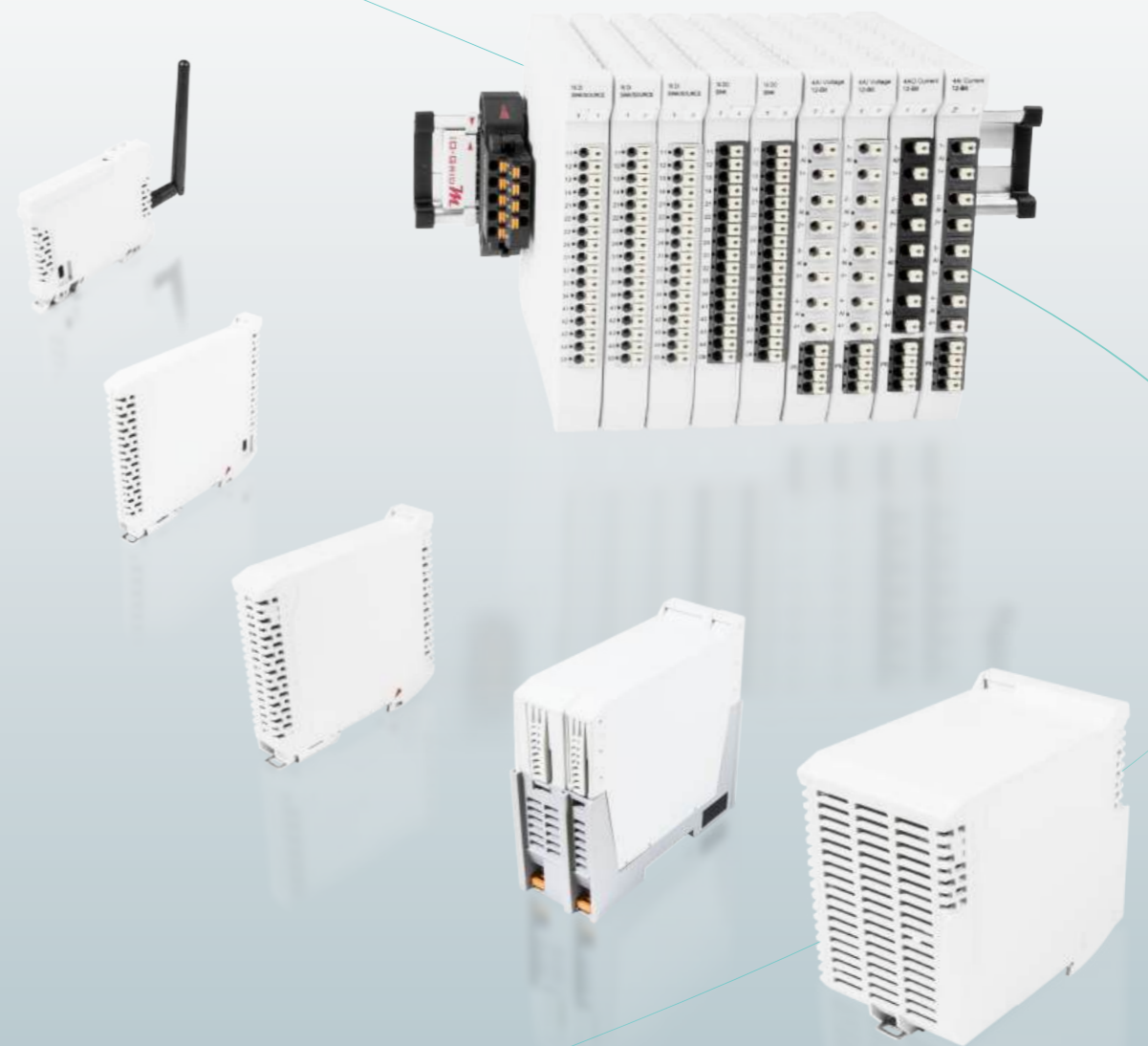
<b>町洋企業股份有限公司</b> DINKLE ENTERPRISE CO., LTD.	臺灣新北市五股區五權二路19號(新北產業園區)	TEL:+886-2-8069-9000 7705-6900	FAX:+886-2-2290-1702 (代表號)
<b>町洋國際股份有限公司</b> DINKLE INTERNATIONAL CO., LTD.	臺灣新北市五股區五權二路19號(新北產業園區)	TEL:+886-2-8069-9000 7705-6900	FAX:+886-2-2290-1702 (代表號)
<b>町洋机电(中国)有限公司</b> DINKLE ELECTRIC MACHINERY (CHINA) CO., LTD.	中國江蘇省昆山市千燈鎮石浦興浦中路388號	TEL:+86-512-5708-8588	FAX:+86-512-5708-8600
<b>东莞立洋电机有限公司</b> LI YANG ELECTRIC MACHINERY (DONGGUAN) CO., LTD.	中國廣東省東莞市黃江鎮雞啼崗村金錢嶺一街2號	TEL:+86-769-8336-4350 8336-4370	FAX:+86-769-8384-8634
<b>DINKLE CORPORATION, USA</b>	13748 Pike Road, Missouri City, Texas, USA 77489	TEL:+1-832-539-4703	Toll-Free:+1-844-273-1850 FAX:+1-832-532-7226
<b>DINKLE S.R.L., ITALY</b>	Via Stabilini n°14, 23864 Malgrate (LC), Italia	TEL:+39/0341176154	
<b>町洋电气贸易(上海)有限公司</b> DINKLE ELECTRIC TRADING (SHANGHAI) CO., LTD.	上海市徐匯區虹橋路3號港匯中心二座3706單元	TEL:+86-21-6487-0636 6427-3157	FAX:+86-21-3356-2500
<b>北京辦事處</b>	北京市海澱區知春路甲48號盈都大廈C座1單元5B	TEL:+86-10-5873-4338	FAX:+86-10-5873-4337
<b>西安辦事處</b>	陝西省西安市雁塔區科技路209號新西藍1-1-1705室	TEL:+86-29-8885-8475	FAX:+86-21-3356-2500

Dinkle remains the right of product modification and engineering change of design. The catalogue is for reference only. The final product is made according to actual engineering drawing.  
弊社標準品に関しては、修正や設計変更等が行われるため、カタログは参考であり、詳細仕様は図面を基準とする。  
本公司對產品保有修改、設變權，目錄僅供參考，實際產品仍需依照工程圖面為準。

APR./2025

# 總線專用殼體

# Enclosures for BUS System



町洋企業股份有限公司  
DINKLE ENTERPRISE CO., LTD.

DC-32.2

## 町洋，因联结而喜悦

町洋企業成立於 1983 年，是全球領先的工業自動化技術電氣連接和組件製造商之一。專業開發並製造端子台、電氣連接、電氣櫃和通信電子領域的產品。町洋的研發中心擁有 400 多名工程師，所有零組件都是廠內製造，確保產品的優異性能和質量。各廠生產設施均獲得 ISO 9001 和 ISO 14001 認證，產品通過國際安全認證，包括 UL、ENEC、VDE 及 / 或 TUV。

## Dinkle, Delight Through Connections

Founded in 1983, Dinkle is one of the leading global manufacturers of electrical connection and components for industrial automation technology. The company develops and manufactures products in the fields for electrical connectivity, electrical cabinets and communication electronics. Dinkle has an R&D center with over 400 engineers, coupled with every component being manufactured in-house, ensures the outstanding product performance and quality. All production facilities are granted ISO 9001 and ISO 14001 certifications, and the products are certified by safety approvals including UL, VDE and / or TUV.



# 產品介紹 / Product Introduction

隨著越來越多使用者將工業物聯網 (IIoT) 傳感器和設備集成到機械設備上的趨勢，現在有更多的應用需要將電子設備直接分配到現場位置和遠程自動化面板中。電子產品的緊湊配置以及用於工業應用時需要對其進行保護的需求，導致對具有集成連接、易於安裝的小尺寸外殼的需求不斷增加。町洋供應的一系列緊湊外殼解決了這些用戶的擔憂，這些外殼很容易安裝在 TS-35 標準 DIN 導軌上，並具有足夠的內部空間來容納印刷電路板 (PCB)，並易於連接到其他小型設備。

With the trend of users increasingly incorporating industrial internet of things (IIoT) sensors and devices on machinery and equipment, there are many more applications now where it is necessary to directly distribute electronic devices into field locations and remote automation panels. The compact configuration of today's electronics and the need to protect them when used for industrial applications is leading to more demands for small footprint enclosures with integrated connections for easy installation. Dinkle addresses these user concerns with a compact series of enclosures which are readily mounted on TS-35 standard DIN rail, and feature enough internal space to accommodate a printed circuit board (PCB) or other small device.

預留標示空間  
Available for clear markings

標準導軌 TS-35  
Standard DIN rail TS-35

易於安裝  
Easy to install



## 易於安裝 / Easy installation

預配置的設計和免工具的安裝方法最大程度地減少了最終用戶的組裝工作。

Pre-configured designs and tool-free installation methods minimize end user assembly efforts.

靈活開孔服務  
Smart opening service

## 模塊化設計 / Modular designs

用戶可以將外殼款式庫存降至最低，根據每種應用的具體需要於上蓋開孔。

Users can stock fewer housings, and open up holes as needed for each application.

## 靈活的連接技術 / Flexible connectivity

有串列訊號和併列訊號模組殼體做為標準選項，町洋殼體可搭配直插式設計 (PID) 端子台和金手指設計 (Card-edge) 端子台，大大地節省接線時間和成本。

Standard options are available for serial communications and parallel wiring connectivity, while push-in design (PID) and card-edge terminal blocks save wiring time and cost.

## 清晰的標記 / Clear markings

為了提高現場裝配易用性，產品具有高度可見且易於使用的標記系統來標示組件和設備。

Highly visible and easily used marking systems for connecting components and the devices themselves are necessary for best usability in the field.

## 客製化解決方案 / Customization

町洋可以與最終用戶合作，設計量身定制的完整解決方案，以結合 PCB 和其他組件，因此 OEM 用戶可以直接安裝組件並節省時間。

Dinkle can work with end users to design complete solutions tailor-made to incorporate PCBs and other components, so OEMs can obtain ready-to install assemblies and save time.



# 電子殼體的客製化開孔服務 – 從創意到實現

## Customized enclosures by specific hole cutting service - from idea to realization

町洋提供客製化開孔服務，最終用戶只需定義外殼需求、允許的尺寸和必要的孔位。一旦滿足了這些要求，致力於與用戶合作，以通用外殼產品創建客制解決方案。町洋提供全方位服務的電子殼體一站式解決方案，幫助最終用戶提高應用效率。

**End users only need to define the enclosure contents, allowable size, and necessary holes. Dinkle has committed to working with users once these requirements are provided in order to create customized solutions based on universal housing products. A full-service electronics enclosure provider like Dinkle can act as a one-stop solution to help end users achieve greatly improved application efficiency.**

兩步驟輕鬆達成需求：

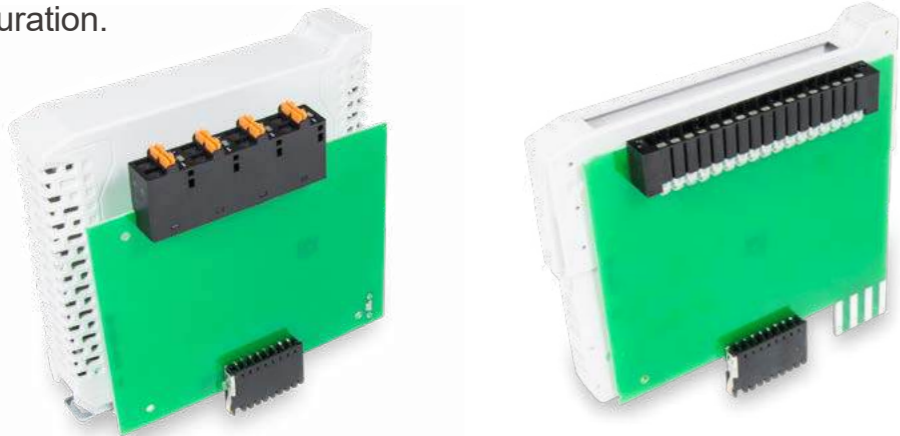
Only 2 steps to meet specific demands :

步驟 1：設計規劃

確定好 PCB 設計後選擇適用殼體，依據 PCB 配置確認開孔位置。

STEP 1 : Design and Plan

After confirming the PCB design, select the applicable housing, and confirm the opening position according to the PCB configuration.

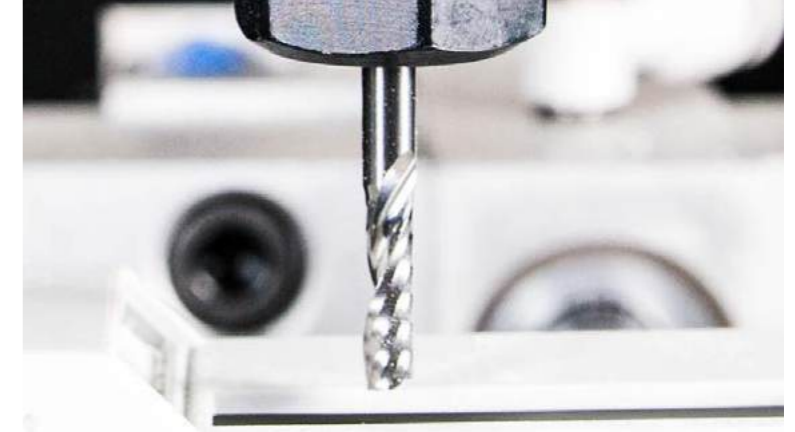


步驟 2：機器設定及切割加工

依圖面定義區域確認開孔尺寸和位置設定好雕刻機，完成客製開孔作業。客戶端無需進行額外開孔，一站式服務滿足特殊需求。

Step 2 : Setting and cutting

Confirm the dimensions and position of the holes according to the defined area of the drawing, and set the engraving machine to complete the customized opening operation. The users do not need to make additional holes. One-stop service achieves your specific demands.



精準客製少量多樣需求










































在標準殼體上量身訂做各應用開孔，完全適合個別應用場域。町洋致力於開發通用型產品，提供各類客製化解決方案，歡迎聯絡我們以瞭解更多應用解決方案。

**Precise customization of a small amount and diverse needs**

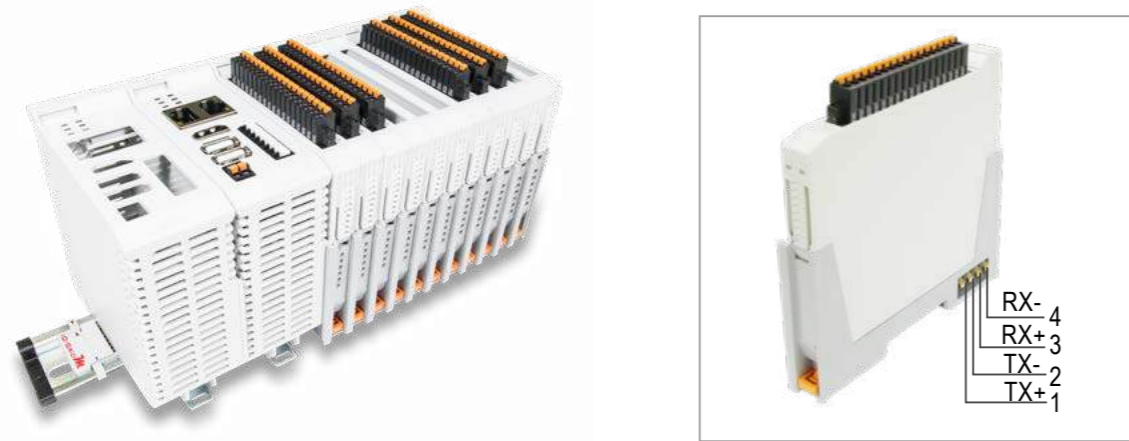
Tailor-made openings on standard housing for various applications, which are perfectly suited to the individual application field. Dinkle is committed to developing universal housing products and providing various customized solutions. Welcome to contact us for more application solutions.



# Index

Page 9						
	BS-5360	BS-5361	BS-5362	BS-5363		
Page 10-11						
	BS-526X	BS-527X				
Page 12-13						
	BS-537X	BS-560X				
Page 14-15						
	BS-550X	BS-555X				
Page 16-17						
	BS-521XUN	BS-531XN				
Page 19-20						
	DMEB-S2P	DMEB-S3P	DMEB-S4P	DMEB-T2P	DMEB-T3P	DMEB-T4P
Page 22						
	BS-210	0225-0509	BS-100	BS-110	SS2N	SS5N
Page 23						
	BS-0X123457RM	BS-7XX123457RM				
Page 24						
	BS-WR00XXX	TM42LW				
Page 26-27						
	0188 series	0138 series	0177 series	0171 series	0228 series	0225 series - Plug
Page 28-29						
	0225 series - Socket	0156 series - Plug	0156 series - Socket	0184 series		
Page 30						
	Ferrule for single wire	DNT13-0102	DNT04-2010A			

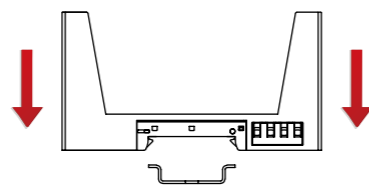
# 串列訊號座 / Serial Communication Enclosure Base



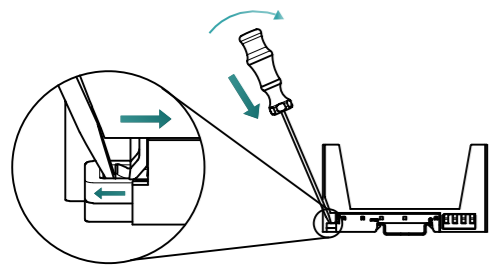
基座上有兩種連接方法，模塊側面的連接器可以連接相鄰的兩組模塊，從而兩組模塊可以通過該連接器傳輸電源或信號。這個功能讓用戶在產品設計上具有極大的靈活性。底座的底部有一個供模塊接插連接器的空間，用來連接模塊和總線板以傳輸功率或信號。這兩種連接方式使用戶擁有可自由設計功能和應用程序的優勢。

There are two connection methods on the enclosures. The connector assembled on the enclosure side can connect two adjacent groups of modules, so that the two groups of modules can transmit power or signals through the connector. This function allows users to have great flexibility in product design. There is a space on the bottom of the module base to plug-in connector, which is used to connect the module and the bus plate to transmit power or signal. These two connection methods give users the advantage of freely designing functions and applications.

**基座組裝至軌道：直接將基座下壓卡入軌道**  
**Installation: push down the base on to the rail directly**

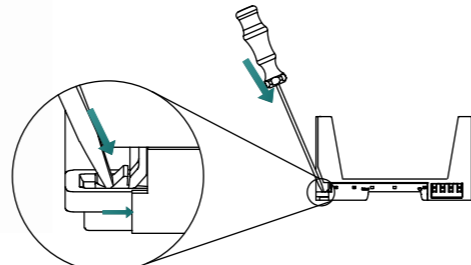


**移除基座1：以螺絲起子拉出卡扣**  
**Remove the base: 1. Tick out the lock by screwdriver**

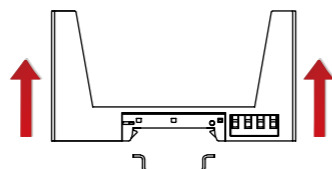


符合人體工學的設計易於操作  
Ergonomic slope for easy operation

**基座復位：將卡扣推回原位**  
**Reset the base lock: push the lock back in place**



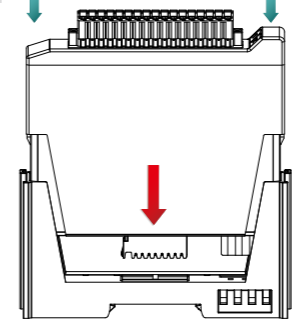
**移除基座2：取出基座**  
**Remove the base: 2. Take out the base**



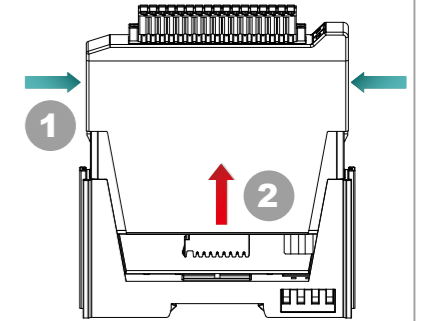
基座有 12MM 寬及 24MM 寬兩種規格可選擇，依方向卡入模組到基座，側面卡勾結構可將模組穩定保持住，不會脫出。釋放時只要輕按殼體兩側即可脫勾取出。

The module bases are optional for 12mm and 24mm wide. They allow modules snapped into the base according to the direction. The side hook structure can keep the module stable and firm in the base. When release the module from the base, just gently press on both sides and draw the module out.

**組裝模組**  
**Press down to install**



**取出模組**  
**Press both sides and take out the module**



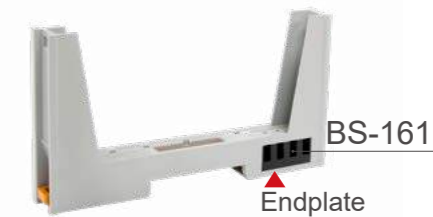
基座的應用包括中間片和尾片。中間片可以串聯多個模塊，而尾片是終端模塊。使用尾片可以成組管理模塊。

The module base application includes middle and end plates. The middle plate can connect many modules in series, and the end plate is the terminating module. Using the end plates can manage the modules in groups.

**基座/Module Base**  
**BS-5360**



**基座末端/Module Base (Endplate)**  
**BS-5361**



**包裝 / Package**  
20 套/盒  
20 stes/per box



BS-5360 串列座  
(中間片 · 12mm 寬)  
BS-5360 Module base  
(Middle Plate, W : 12 mm)



BS-5361 串列座  
(尾片 · 12mm 寬)  
BS-5361 Module base  
(End Plate, W : 12 mm)



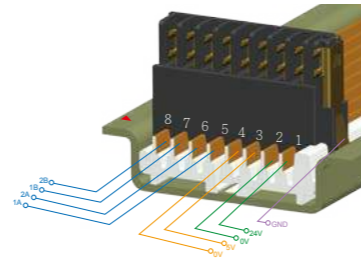
BS-5362 串列座  
(中間片 · 24mm 寬)  
BS-5362 Module base  
(Middle Plate, W : 24 mm)



BS-5363 串列座  
(尾片 · 24mm 寬)  
BS-5363 Module base  
(End Plate, W : 24 mm)

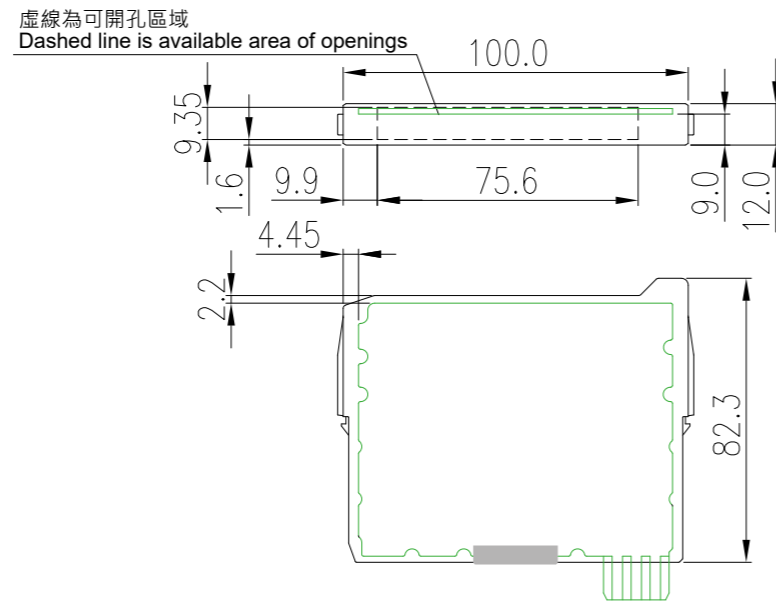
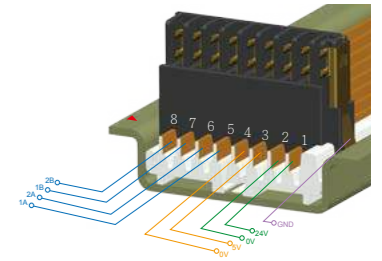
# BS-526X (12mm)

## 串列訊號模組殼體 Enclosure for Serial Communication

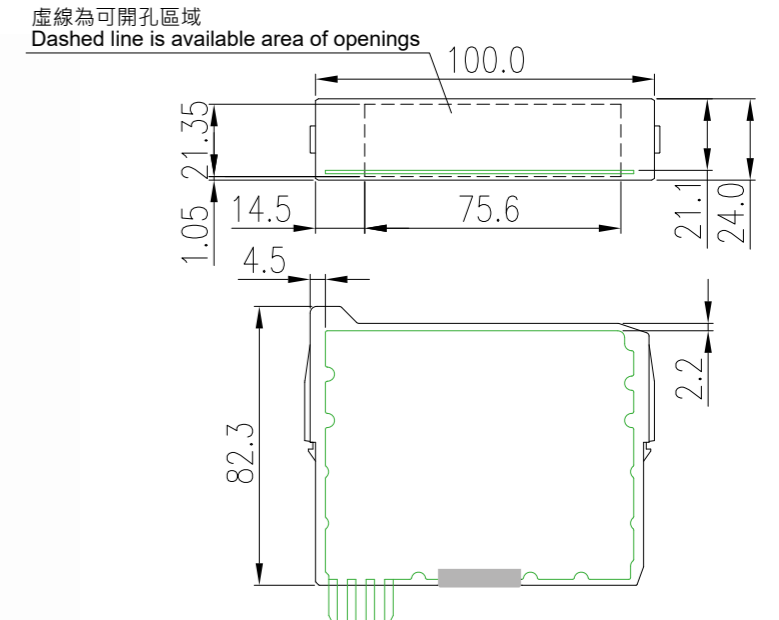


# BS-527X (24mm)

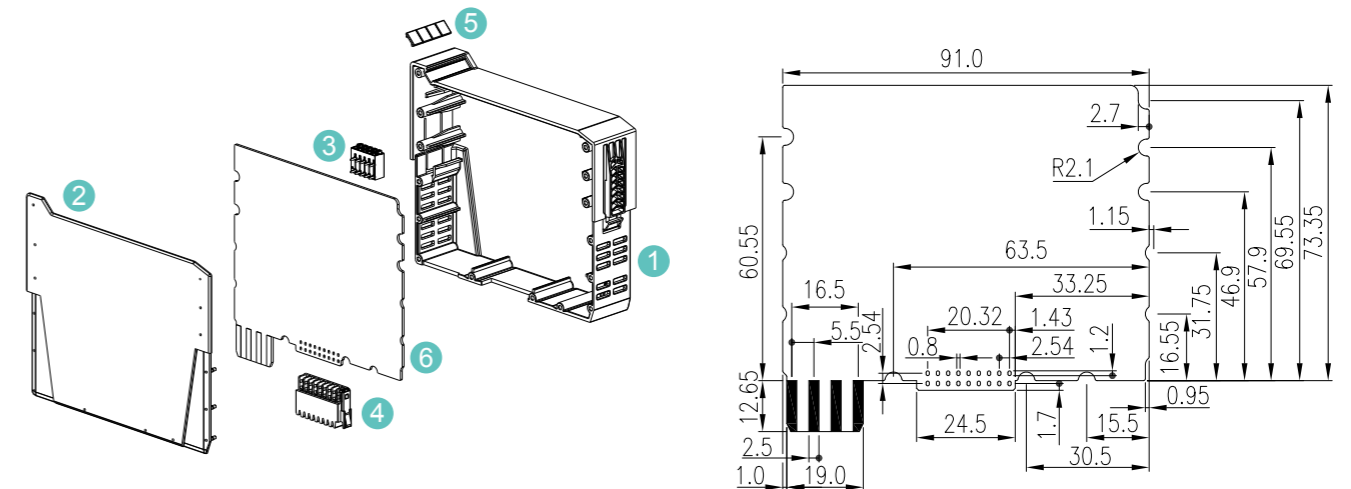
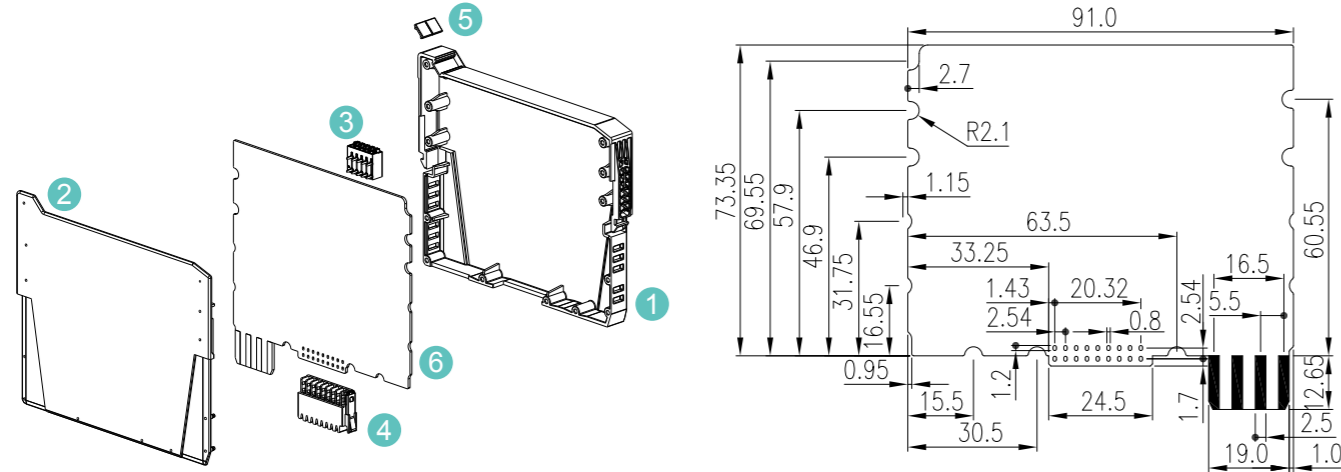
## 串列訊號模組殼體 Enclosure for Serial Communication



尺寸 / Dimensions: 100 x 82.3 x 12 mm (L x H x W)  
材質 / Material : PC



尺寸 / Dimensions: 100 x 82.3 x 24 mm (L x H x W)  
材質 / Material : PC

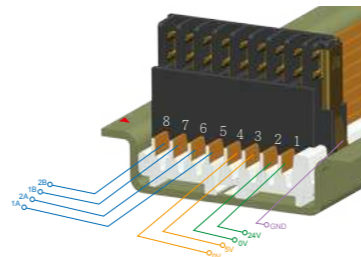


項目 / No.	名稱 / Name of part	品號 / Part number	數量 / Q'ty	備註 / Notes
1	大本體 / Main housing	BS-526X-01	1	淺灰 / Light grey
2	小本體 / Side housing	BS-526X-02	1	淺灰 / Light grey
3	端子台 / Terminal block	見第 27-30 頁 / See page 27-30	0	可選 / Optional
4	總線連接器 / Bus connector	見第 23 頁 / See page 23	0	可選 / Optional
5	標示牌 / Marking Label	TM42LW	0	可選 / Optional
下列為應用參考或選用 / The following is reference or selection for application.				
6	PCB	PCB Layout 參考 / Reference of PCB Layout		

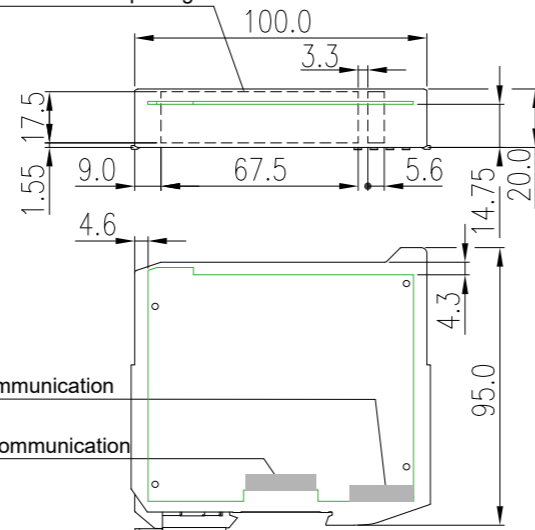
項目 / No.	名稱 / Name of part	品號 / Part number	數量 / Q'ty	備註 / Notes
1	大本體 / Main housing	BS-527X-01	1	淺灰 / Light grey
2	小本體 / Side housing	BS-527X-02	1	淺灰 / Light grey
3	端子台 / Terminal block	見第 27-30 頁 / See page 27-30	0	可選 / Optional
4	總線連接器 / Bus connector	見第 23 頁 / See page 23	0	可選 / Optional
5	標示牌 / Marking Label	TM42LW	0	可選 / Optional
下列為應用參考或選用 / The following is reference or selection for application.				
6	PCB	PCB Layout 參考 / Reference of PCB Layout		

# BS-537X (20mm)

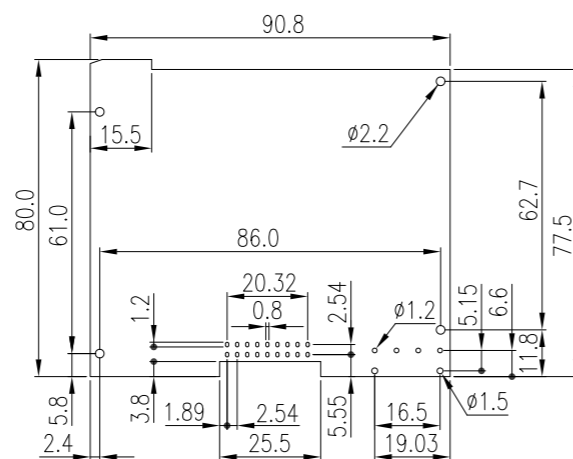
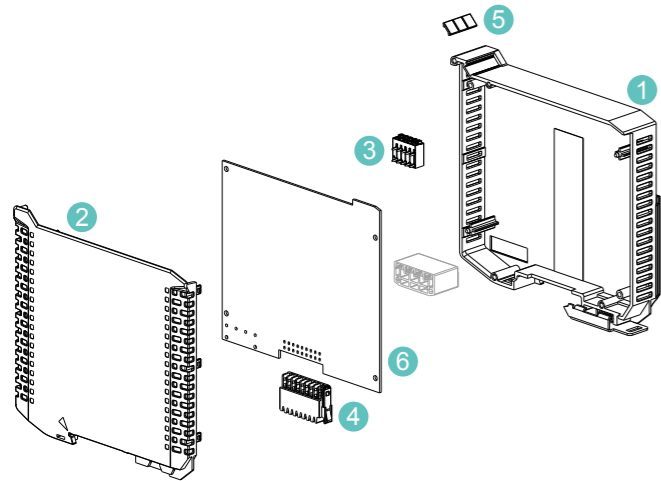
串列 & 並列訊號共用殼體  
Enclosure for Either Serial or Parallel Communication



虛線為可開孔區域  
Dashed line is available area of openings



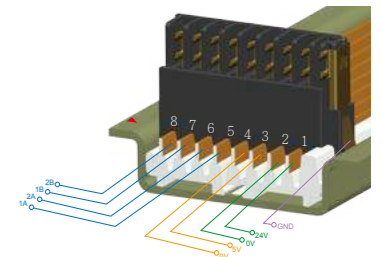
尺寸 / Dimensions: 100 x 96 x 20 mm (L x H x W)  
材質 / Material : PC



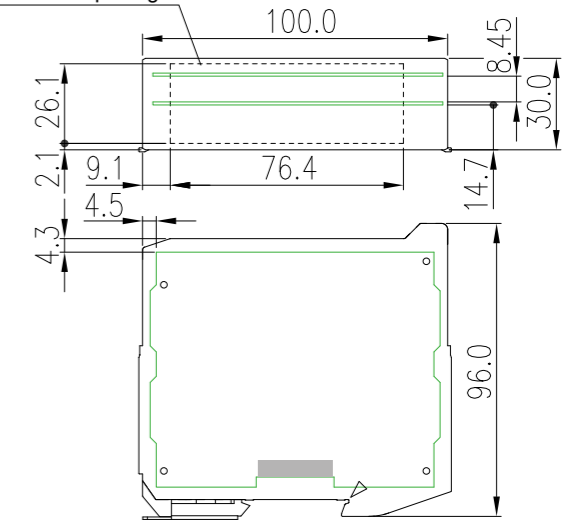
項目 / No.	名稱 / Name of part	品號 / Part number	數量 / Q'ty	備註 / Notes
1	大本體 / Main housing	BS-537X-01	1	淺灰 / Light grey
2	小本體 / Side housing	BS-537X-02	1	淺灰 / Light grey
3	端子台 / Terminal block	見第 27-30 頁 / See page 27-30	0	可選 / Optional
4	總線連接器 / Bus connector	見第 23 頁 / See page 23	0	可選 / Optional
5	標示牌 / Marking Label	TM42LW	0	可選 / Optional
6	模組連接器 / Module connector	BS-110	0	可選 / Optional
下列為應用參考或選用 / The following is reference or selection for application.				
7	PCB	PCB Layout 參考 / Reference of PCB Layout		

# BS-560X (30mm)

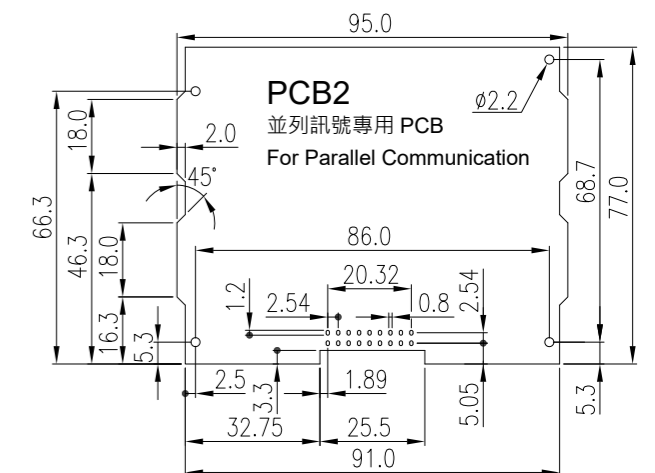
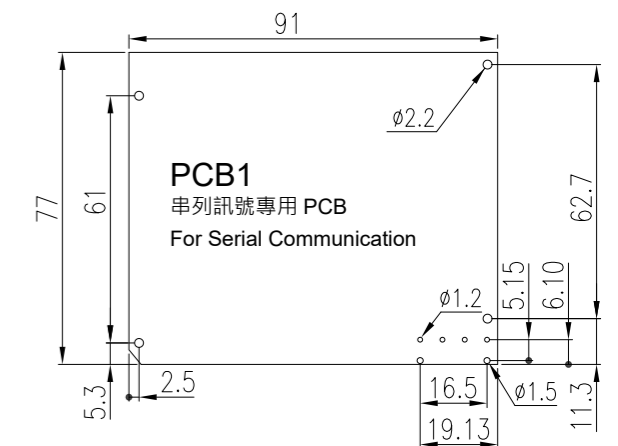
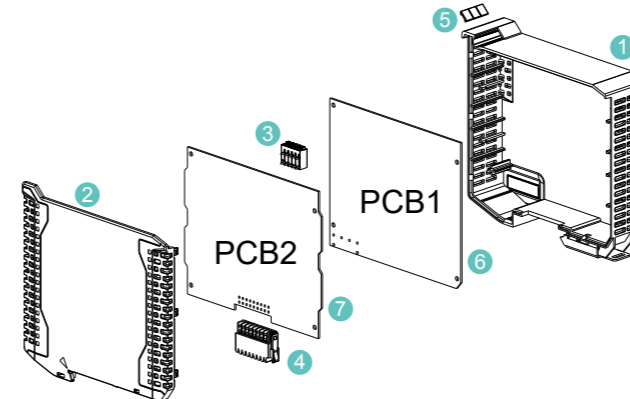
串列 & 並列訊號共用殼體  
Enclosure for Either Serial or Parallel Communication



虛線為可開孔區域  
Dashed line is available area of openings



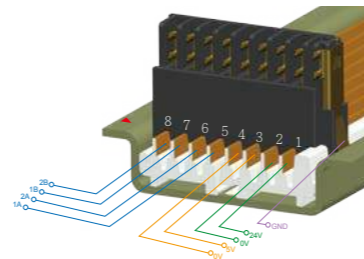
尺寸 / Dimensions: 100 x 96 x 30 mm (L x H x W)  
材質 / Material : PC



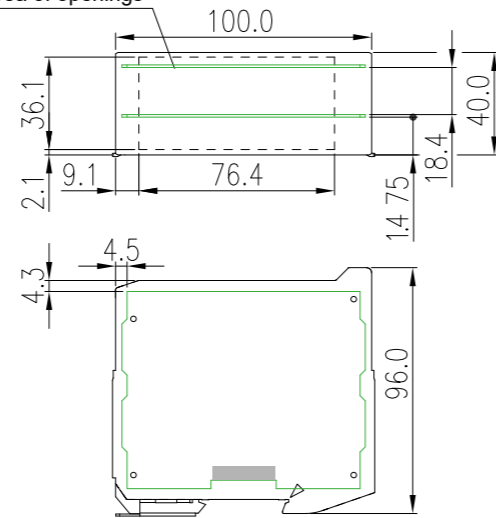
項目 / No.	名稱 / Name of part	品號 / Part number	數量 / Q'ty	備註 / Notes
1	大本體 / Main Housing	BS-560X-01	1	淺灰 / Light grey
2	小本體 / Side housing	BS-560X-02	1	淺灰 / Light grey
3	端子台 / Terminal block	見第 27-30 頁 / See page 27-30	0	可選 / Optional
4	總線連接器 / Bus connector	見第 23 頁 / See page 23	0	可選 / Optional
5	標示牌 / Marking Label	TM42LW	0	可選 / Optional
下列為應用參考或選用 / The following is reference or selection for application.				
6	PCB1	PCB Layout 參考 / Reference of PCB Layout		
7	PCB2	Reference of PCB Layout		

# BS-550X (40mm)

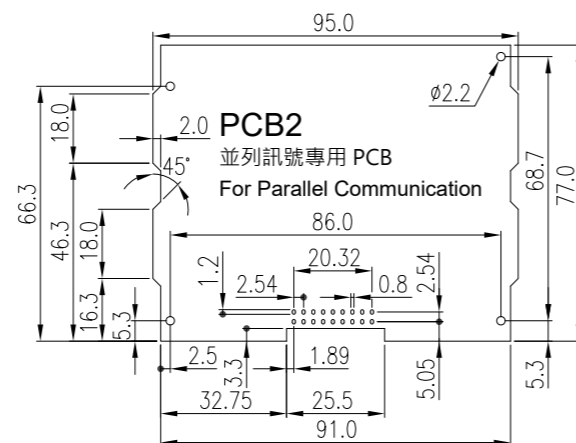
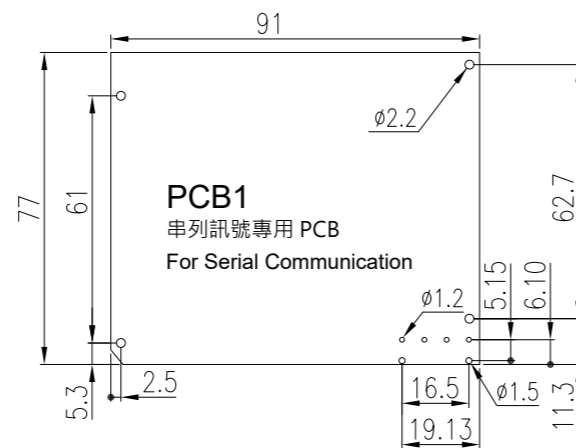
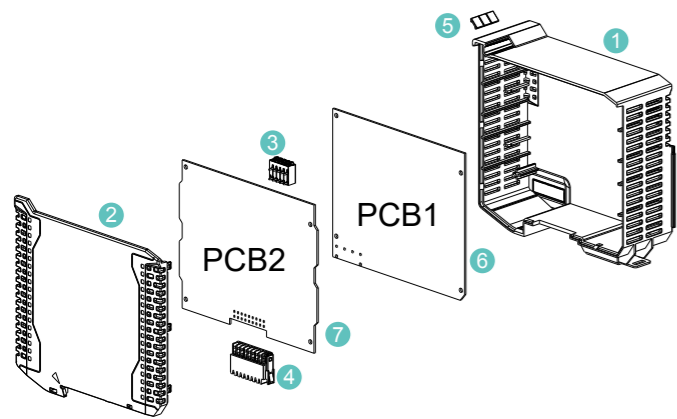
串列 & 並列訊號共用殼體  
Enclosure for Either Serial or Parallel Communication



虛線為可開孔區域  
Dashed line is available area of openings



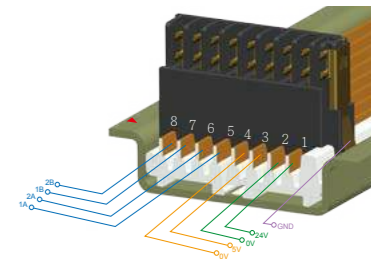
尺寸 / Dimensions: 100 x 96 x 40 mm (L x H x W)  
材質 / Material : PC



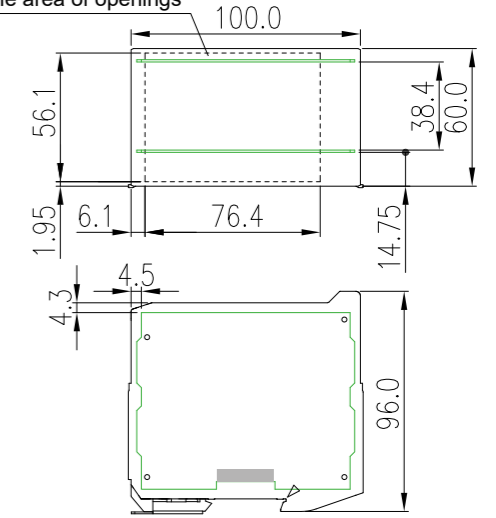
項目 / No.	名稱 / Name of part	品號 / Part number	數量 / Q'ty	備註 / Notes
1	大本體 / Main Housing	BS-550X-01	1	淺灰 / Light grey
2	小本體 / Side housing	BS-550X-02	1	淺灰 / Light grey
3	端子台 / Terminal block	見第 27-30 頁 / See page 27-30	0	可選 / Optional
4	總線連接器 / Bus connector	見第 23 頁 / See page 23	0	可選 / Optional
5	標示牌 / Marking Label	TM42LW	0	可選 / Optional
下列為應用參考或選用 / The following is reference or selection for application.				
6	PCB1	PCB Layout 參考 / Reference of PCB Layout		
7	PCB2	Reference of PCB Layout		

# BS-555X (60mm)

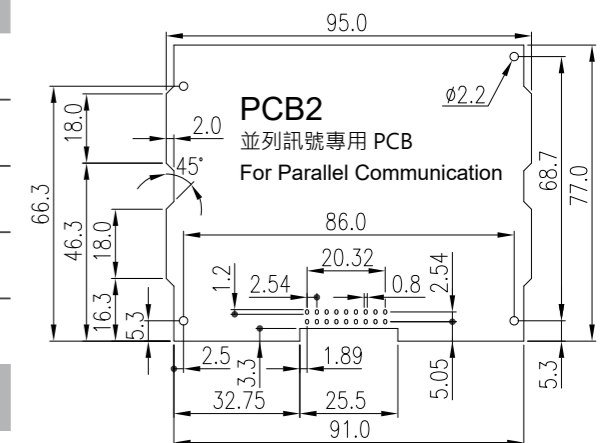
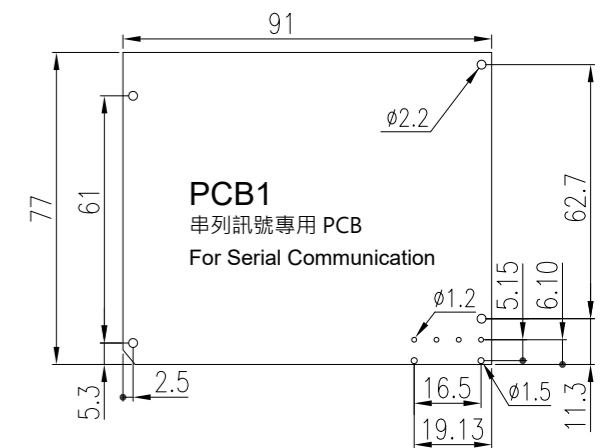
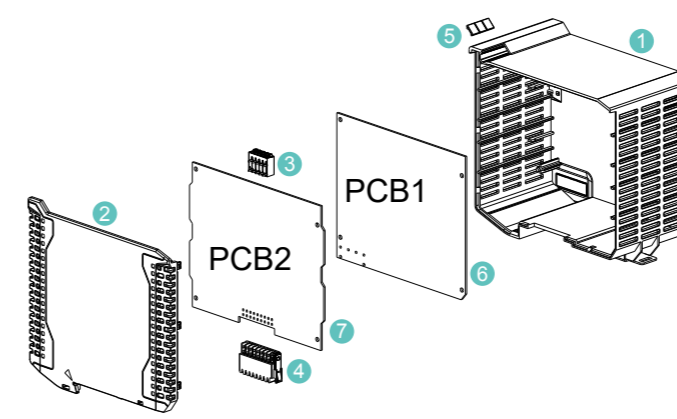
串列 & 並列訊號共用殼體  
Enclosure for Either Serial or Parallel Communication



虛線為可開孔區域  
Dashed line is available area of openings



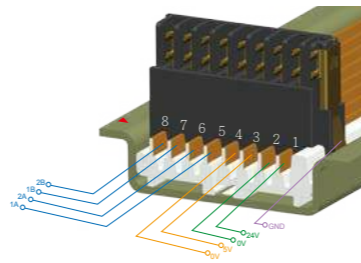
尺寸 / Dimensions: 100 x 96 x 60 mm (L x H x W)  
材質 / Material : PC



項目 / No.	名稱 / Name of part	品號 / Part number	數量 / Q'ty	備註 / Notes
1	大本體 / Main Housing	BS-555X-01	1	淺灰 / Light grey
2	小本體 / Side housing	BS-555X-02	1	淺灰 / Light grey
3	端子台 / Terminal block	見第 27-30 頁 / See page 27-30	0	可選 / Optional
4	總線連接器 / Bus connector	見第 23 頁 / See page 23	0	可選 / Optional
5	標示牌 / Marking Label	TM42LW	0	可選 / Optional
下列為應用參考或選用 / The following is reference or selection for application.				
6	PCB1	PCB Layout 參考 / Reference of PCB Layout		
7	PCB2	Reference of PCB Layout		

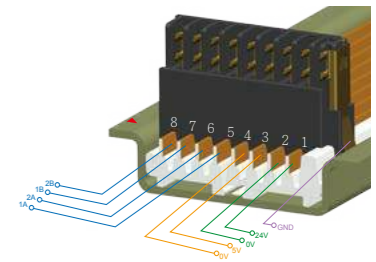
# BS-521XUN (12mm)

## 並列訊號殼體 Enclosure for Parallel Communication

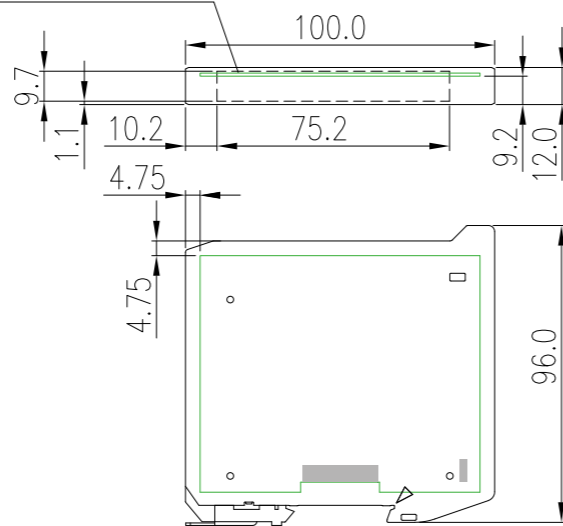


# BS-531XN (20mm)

## 並列訊號殼體 Enclosure for Parallel Communication

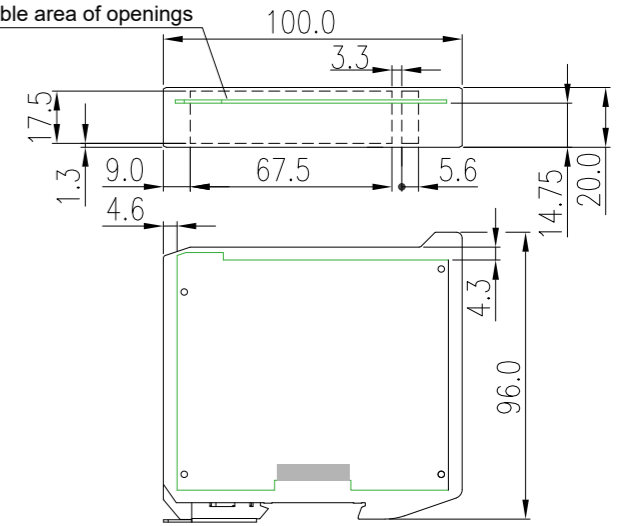


虛線為可開孔區域  
Dashed line is available area of openings

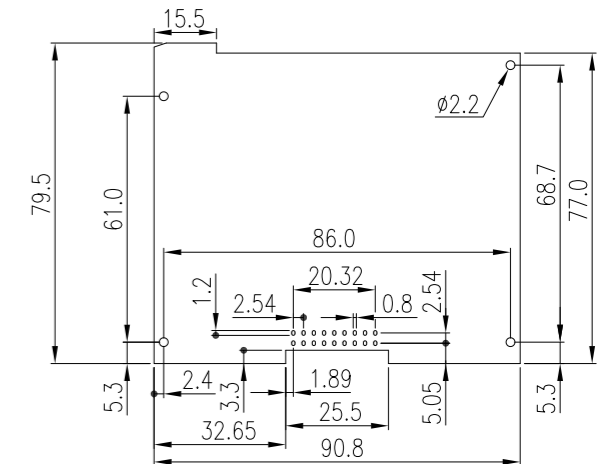
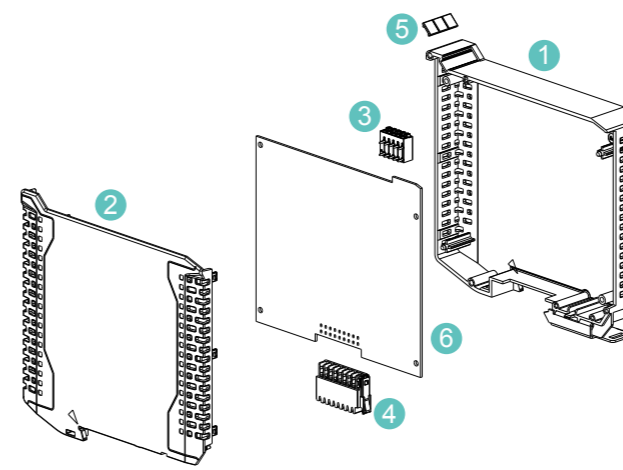
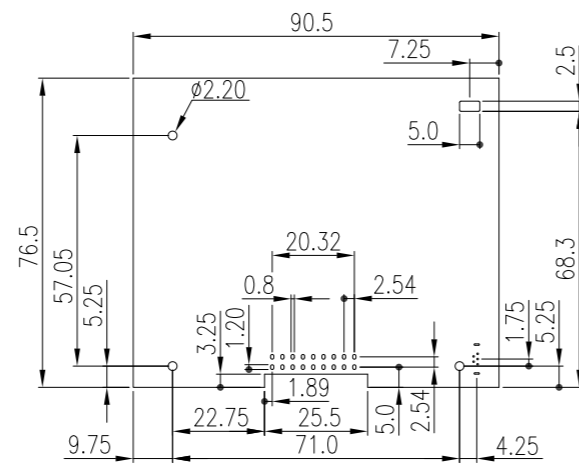
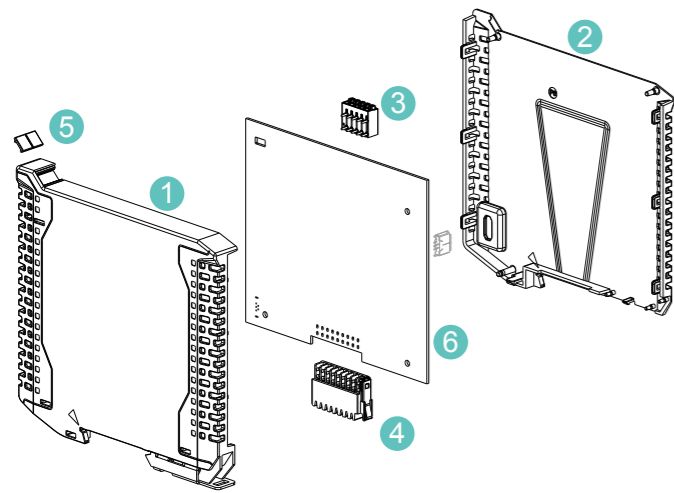


尺寸 / Dimensions: 100 x 96 x 12 mm (L x H x W)  
材質 / Material : PC

虛線為可開孔區域  
Dashed line is available area of openings



尺寸 / Dimensions: 100 x 96 x 20 mm (L x H x W)  
材質 / Material : PC



項目 / No.	名稱 / Name of part	品號 / Part number	數量 / Q'ty	備註 / Notes
1	大本體 / Main housing	BS-521XUN-01	1	淺灰 / Light grey
2	小本體 / Side housing	BS-521XUN-02	1	淺灰 / Light grey
3	端子台 / Terminal block	見第 27-30 頁 / See page 27-30	0	可選 / Optional
4	總線連接器 / Bus connector	見第 23 頁 / See page 23	0	可選 / Optional
5	標示牌 / Marking Label	TM42LW	0	可選 / Optional
下列為應用參考或選用 / The following is reference or selection for application.				
6	PCB	PCB Layout 參考 / Reference of PCB Layout		

項目 / No.	名稱 / Name of part	品號 / Part number	數量 / Q'ty	備註 / Notes
1	大本體 / Main housing	BS-531XN-01	1	淺灰 / Light grey
2	小本體 / Side housing	BS-531XN-02	1	淺灰 / Light grey
3	端子台 / Terminal block	見第 27-30 頁 / See page 27-30	0	可選 / Optional
4	總線連接器 / Bus connector	見第 23 頁 / See page 23	0	可選 / Optional
5	標示牌 / Marking Label	TM42LW	0	可選 / Optional
下列為應用參考或選用 / The following is reference or selection for application.				
6	PCB	PCB Layout 參考 / Reference of PCB Layout		

# DMEB 電子殼體 / DMEB Component housing

## 可選用及定制範圍 Customized requirement

上部殼體可提供開孔定制需求，如 LED 孔與 USB 及液晶孔等。

The upper cover has the options of various dimensions of openings according to customer's requirement, such as LED hole, USB port, RJ45 hole or other dimension openings for display purposes.

排氣孔可依產品防護需求提供開孔密封定制。

The ventilation holes on both sides of the housing allow better release of heat.

依 DINKLE BUS 總線需求，提供底部總線開孔定制。

Additional opening on the bottom of DMEB electronic housing can be arranged for Dinkle BUS application.

端子接口提供封孔蓋選擇

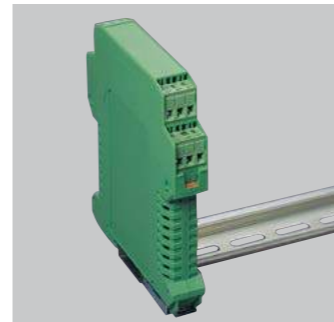
Safety covering is available for cover up the wiring entry holes for DMEB.

產品標準色為綠色，可提供常規顏色供用戶定制選擇。

The standard color of the component housing is in green. Any special color can be arranged by customer's specific requirements

可搭配總線連接器

Can be used with Bus Connector

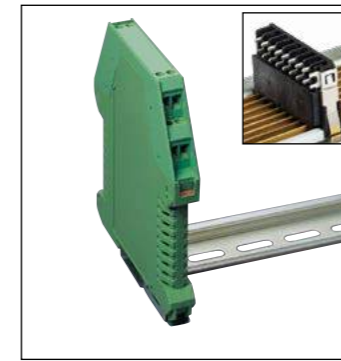


電子外殼提供有效組件防護及集成功能，有多種高度及寬度供用戶選擇。使用工業尼龍材料，防火性及耐壓等級均符合 UL 及 IEC 要求。可實現定制化的開孔設計及顏色選配服務，同時提供 DINKLE BUS 總線規格，可快速適用於中大型項目集成使用。

Dinkle electronic housing offers effective component protection and suitable for system integration. There are wide selections of varies dimensions for customer usage, such as a width of 12.5, 17.5 and 22.5 mm.

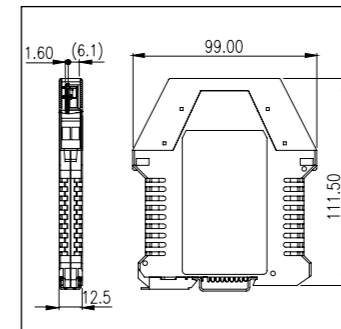
Industrial PA materials are used in electronic housings which feature low flammability and insulation levels that meet UL and IEC standards.

## DMEB

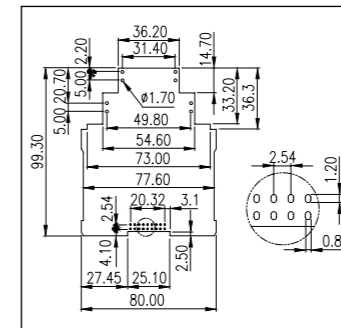


DMEB-S2P	
產品寬度 Width (mm)	12.50mm
顏色 Color	● 型號 Part number
	● DMEB-S2P-BK
	● DMEB-S2P-GY
配件規格 Accessories	型號 Part number
上部殼體 Top cover	DMEN-HS2T
下部殼體 Bottom housing	DMEB-H2U
插座 (左) PCB connector socket(Left)	--
插座 (右) PCB connector socket(Right)	--
端子插頭 (左) PCB terminal block (Left)	5ES-2PL
端子插頭 (右) PCB terminal block (Right)	5ES-2PR
封口蓋 Safety Cover	5ES-2PC

### 產品尺寸 / Dimensions

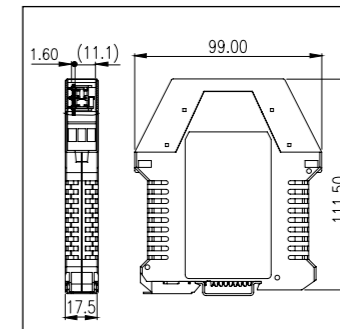


### PCB 安裝尺寸 / PCB installation layout

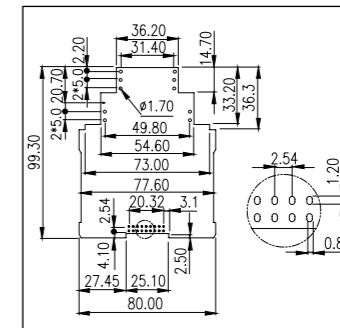


DMEB-S3P	
產品寬度 Width (mm)	17.50mm
顏色 Color	● 型號 Part number
	● DMEB-S3P-BK
	● DMEB-S3P-GY
配件規格 Accessories	型號 Part number
上部殼體 Top cover	DMEN-HS3T
下部殼體 Bottom housing	DMEB-H3U
插座 (左) PCB connector socket(Left)	--
插座 (右) PCB connector socket(Right)	--
端子插頭 (左) PCB terminal block (Left)	5ES-3PL
端子插頭 (右) PCB terminal block (Right)	5ES-3PR
封口蓋 Safety Cover	5ES-3PC

### 產品尺寸 / Dimensions

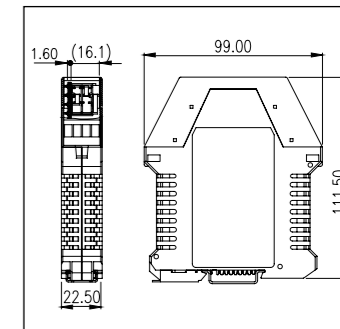


### PCB 安裝尺寸 / PCB installation layout

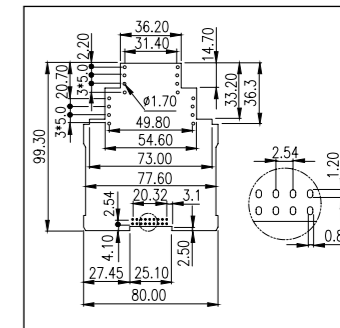


DMEB-S4P	
產品寬度 Width (mm)	22.50mm
顏色 Color	● 型號 Part number
	● DMEB-S4P-BK
	● DMEB-S4P-GY
配件規格 Accessories	型號 Part number
上部殼體 Top cover	DMEN-HS4T
下部殼體 Bottom housing	DMEB-H4U
插座 (左) PCB connector socket(Left)	--
插座 (右) PCB connector socket(Right)	--
端子插頭 (左) PCB terminal block (Left)	5ES-4PL
端子插頭 (右) PCB terminal block (Right)	5ES-4PR
封口蓋 Safety Cover	5ES-4PC

### 產品尺寸 / Dimensions



### PCB 安裝尺寸 / PCB installation layout



## DMEB 電子殼體的拆卸方式 Disassembly method of DMEB electronic housing

DMEB 殼體可提供用戶終端產品良好的絕緣防護效果及可靠的機械使用性能，其明亮的卡扣位置，可滿足現場多角度的裝卸需求，電路板可通過殼體結構實現緊密的固定。

- 打開外殼時，僅需將兩側的橙色卡扣往裡輕推，卡扣的工作角度可滿足 90 度到 180 度角。
- 少許用力即可將殼體上部連同電路板拉出。
- 裝配時，需留意將電路板對準滑入殼體內側的固定槽內，並聽到卡扣固定的“卡擦”聲後，即完成有效固定。

DMEB electronic housing offers excellent isolation and reliable mechanical performance. The orange color push button is clear to see. Adopting the rigid structure design, PCB can be securely installed.

- With gentle press of the orange push button on both side of the housing to lift up the top cover. The push button can be easily pressed by using a screw driver from an angle of 90 degrees to 180 degrees.
- Only a small amount of force is required to lift up the upper cover and PCB.
- For putting the PCB back into the housing, carefully align the PCB with the slots of the housing and slide the PCB in gently until hearing a“click” sound.





電子外殼提供有效組件防護及集成功能，有多種高度及寬度供用戶選擇。使用工業尼龍材料，防火性及耐壓等級均符合 UL 及 IEC 要求。可實現客制化的開孔設計及顏色選配服務，同時提供 DINKLE BUS 總線規格，可快速運用於中大型項目集成使用。

Dinkle electronic housing offers effective component protection and suitable for system integration. There are wide selections of varies dimensions for customer usage, such as a width of 12.5, 17.5 and 22.5 mm.

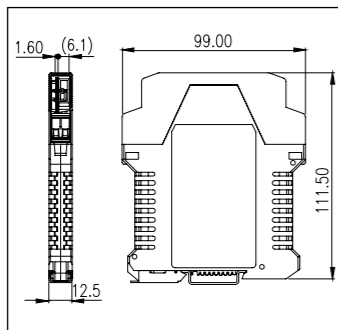
Industrial PA materials are used in electronic housings which feature low flammability and insulation levels that meet UL and IEC standards.

## DMEB

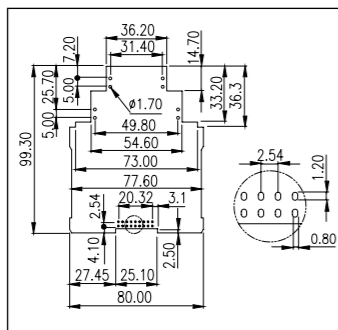


DMEB-T2P	
產品寬度 Width (mm)	12.50mm
顏色 Color	型號 Part number
●	DMEB-T2P-BK
●	DMEB-T2P-GY
配件規格 Accessories	型號 Part number
上部殼體 Top cover	DMEN-HT2T
下部殼體 Bottom housing	DMEB-H2U
插座 (左) PCB connector socket(Left)	5EH-2PL
插座 (右) PCB connector socket(Right)	5EH-2PR
端子插頭 (左) PCB terminal block (Left)	5ESDT-02P
端子插頭 (右) PCB terminal block (Right)	5ESDT-02P
封口蓋 Safety Cover	5EH-2PC

### 產品尺寸 / Dimensions

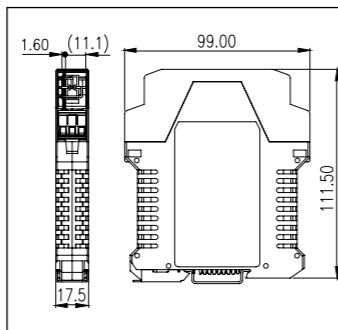


### PCB 安裝尺寸 / PCB installation layout

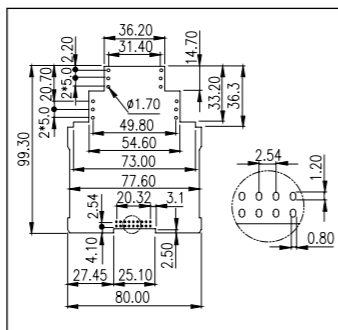


DMEB-T3P	
產品寬度 Width (mm)	17.50mm
顏色 Color	型號 Part number
●	DMEB-T3P-BK
●	DMEB-T3P-GY
配件規格 Accessories	型號 Part number
上部殼體 Top cover	DMEN-HT3T
下部殼體 Bottom housing	DMEB-H3U
插座 (左) PCB connector socket(Left)	5EH-3PL
插座 (右) PCB connector socket(Right)	5EH-3PR
端子插頭 (左) PCB terminal block (Left)	5ESDT-03P
端子插頭 (右) PCB terminal block (Right)	5ESDT-03P
封口蓋 Safety Cover	5EH-3PC

### 產品尺寸 / Dimensions

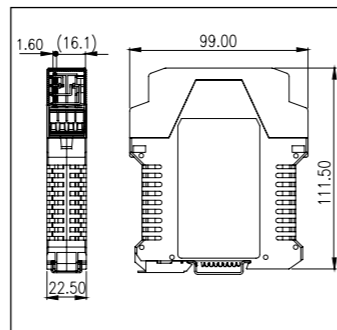


### PCB 安裝尺寸 / PCB installation layout

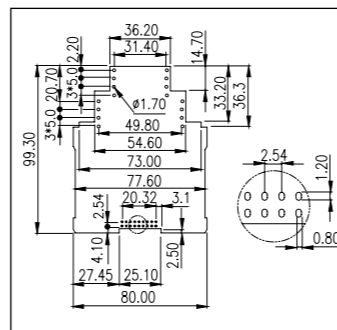


DMEB-T4P	
產品寬度 Width (mm)	22.50mm
顏色 Color	型號 Part number
●	DMEB-T4P-BK
●	DMEB-T4P-GY
配件規格 Accessories	型號 Part number
上部殼體 Top cover	DMEN-HT4T
下部殼體 Bottom housing	DMEB-H4U
插座 (左) PCB connector socket(Left)	5EH-4PL
插座 (右) PCB connector socket(Right)	5EH-4PR
端子插頭 (左) PCB terminal block (Left)	5ESDT-04P
端子插頭 (右) PCB terminal block (Right)	5ESDT-04P
封口蓋 Safety Cover	5EH-4PC

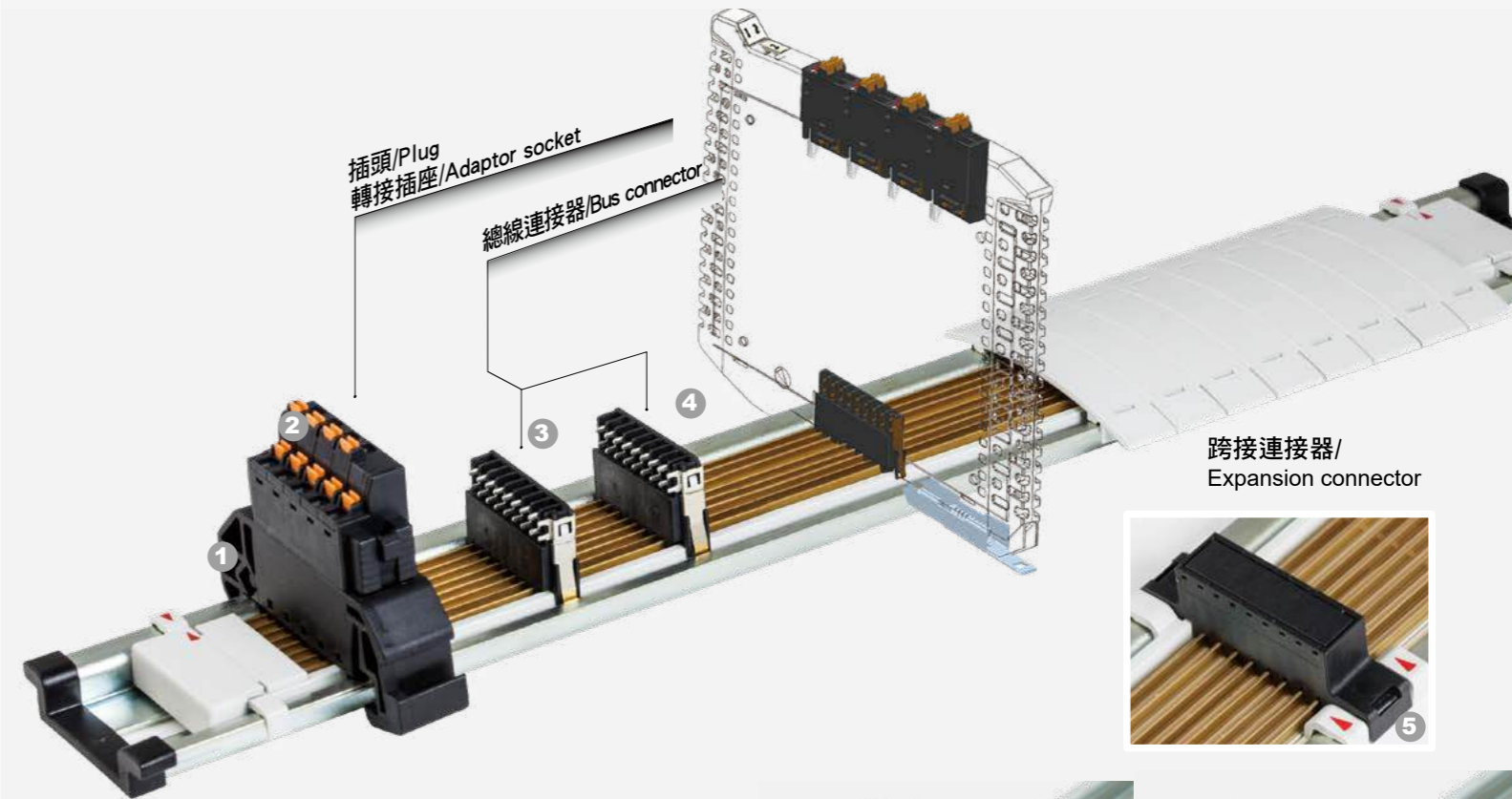
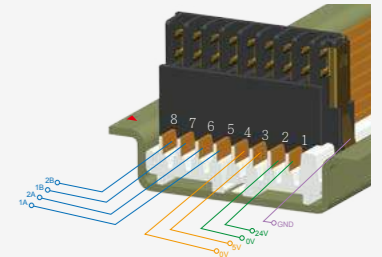
### 產品尺寸 / Dimensions



### PCB 安裝尺寸 / PCB installation layout



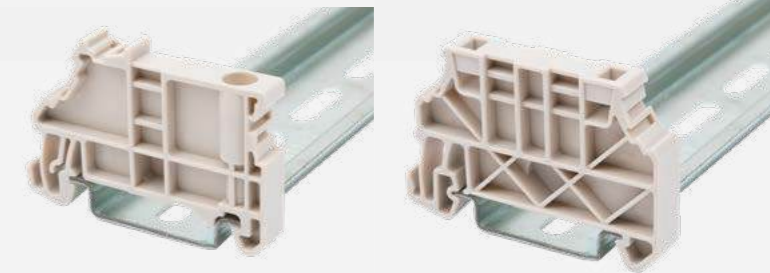
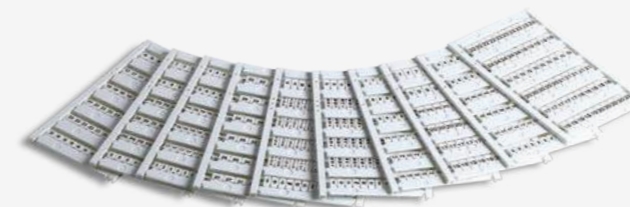
# 配件 ACCESSORIES





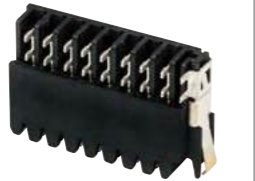
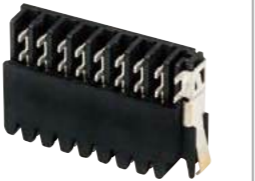

## 線材 / Wire Harness

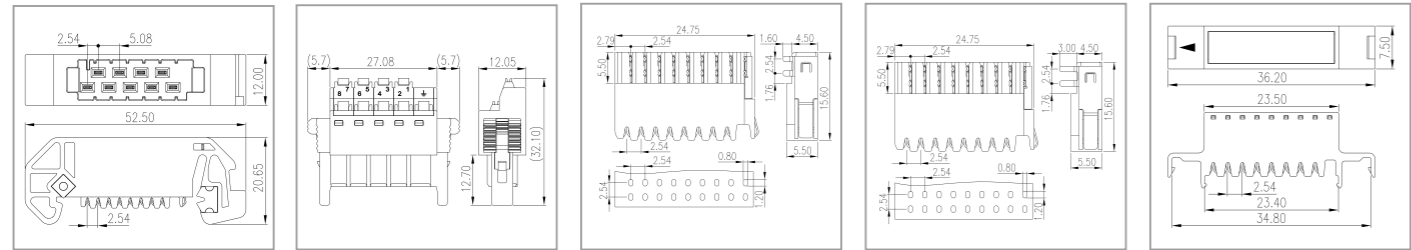


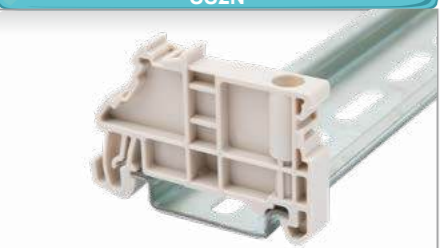

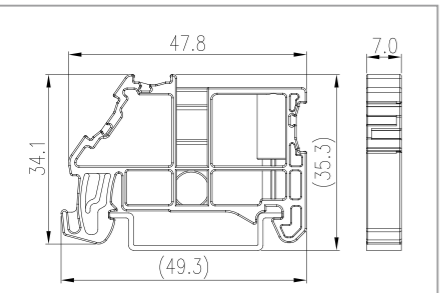
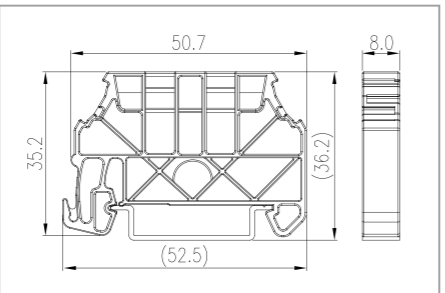
## 標示牌 / Marking Label



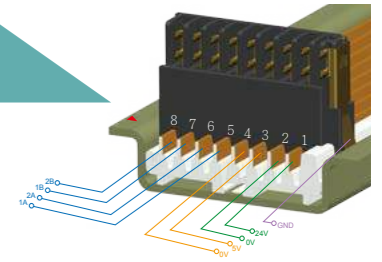
# 殼體配件 / Accessories for Enclosures

轉接插座/Adaptor socket BS-210		插頭/Plug 0225-0509		總線連接器/Bus connector BS-100		總線連接器/Bus connector BS-110		跨接連接器/Expansion connector BS-200	
	1		2		3		4		5
通道數/No. of channel	9	通道數/No. of channel	9	焊針長度/pin length(mm)	1.60	焊針長度/pin length(mm)	3.00	焊針長度/pin length(mm)	-
額定電壓/Rated voltage	150V	額定電壓/Rated voltage	150V	通道數/No of channel	8	通道數/No of channel	8	通道數/No of channel	8
額定電流/Rated current	8A	額定電流/Rated current	8A	間距/pitch (mm)	2.54	間距/pitch (mm)	2.54	間距/pitch (mm)	2.54
耐電壓(UL/IEC) Max. / Rated withstand voltage	1600V	耐電壓(UL/IEC) Max. / Rated withstand voltage	1600V	額定電壓/Rated voltage	150V	額定電壓/Rated voltage	150V	額定電壓/Rated voltage	150V
適用環境溫度/ Applied temperature	-40°C~+105°C	適用環境溫度/ Applied temperature	-40°C~+105°C	額定電流/Rated current	Max.8A	額定電流/Rated current	Max.8A	額定電流/Rated current	Max.8A
				耐電壓(UL/IEC) Max./ Rated withstand voltage	1600V	耐電壓(UL/IEC) Max./ Rated withstand voltage	1600V	耐電壓(UL/IEC) Max./ Rated withstand voltage	1600V
				適用環境溫度/ Applied temperature	-40°C~+105°C	適用環境溫度/ Applied temperature	-40°C~+105°C	適用環境溫度/ Applied temperature	-40°C~+105°C



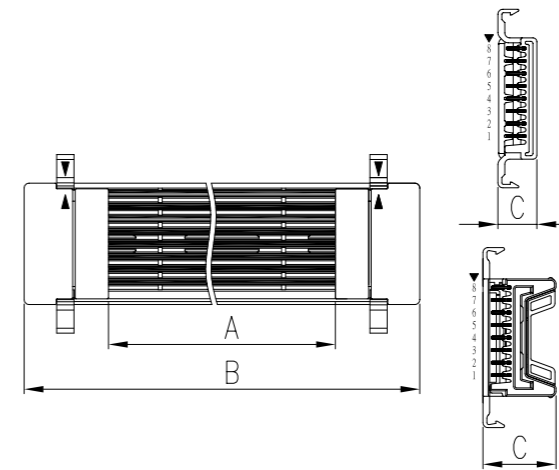
軌道擋板/Rail end bracket SS2N		軌道擋板/Rail end bracket SS5N	
			
	47.8, 7.0, 34.1, 49.3, 35.3		50.7, 8.0, 35.2, 52.5, 36.2

# 標準總線版 / Standard Bus

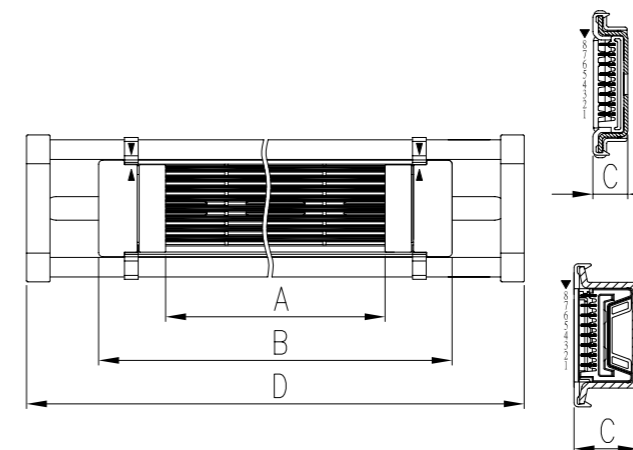


Terminal Code Table

Terminal #	1	2	3	4	5	6	7	8	9
Definition	24V	0V	5V	0V	1A	2A	1B	2B	GND

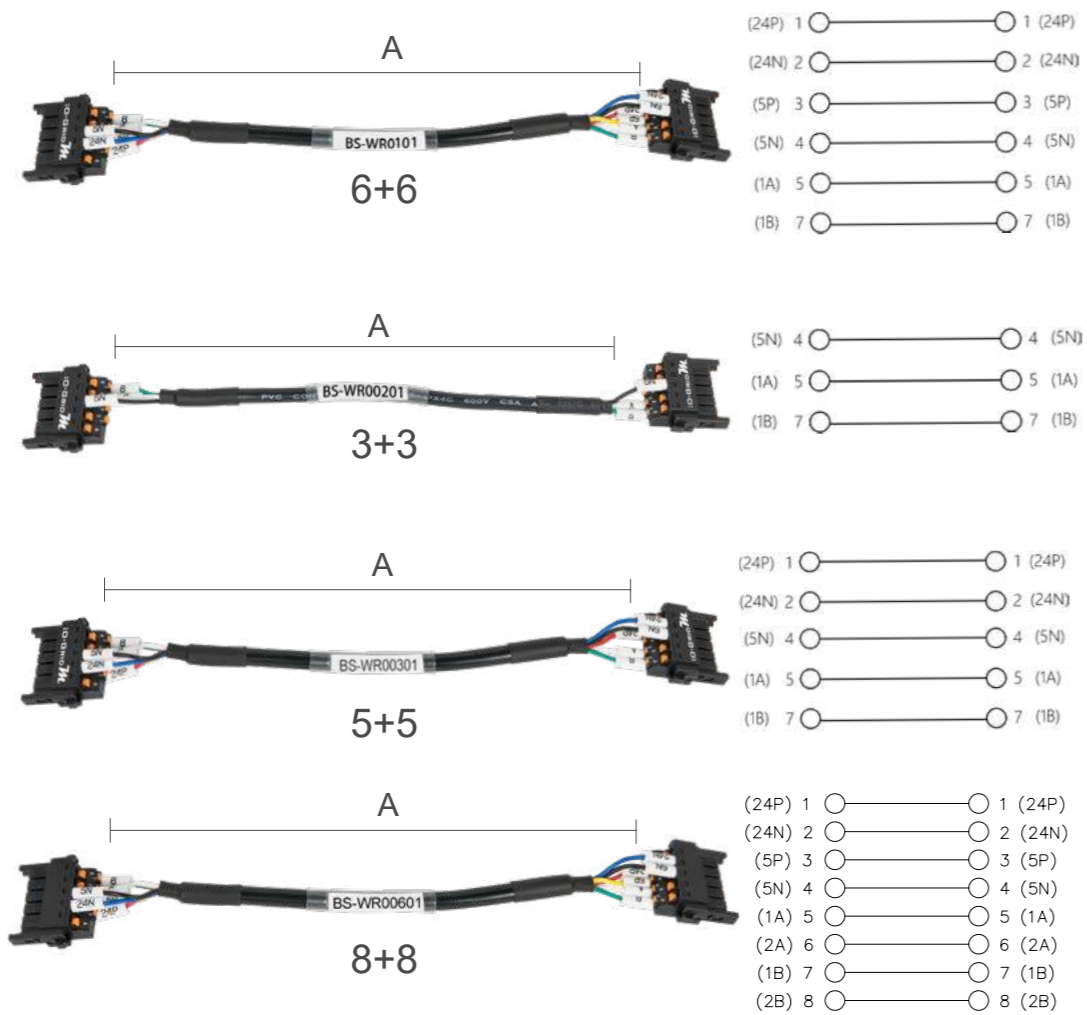


Part No.	A	B	C
BS-070	61	95.2	7.9
BS-000	91	125.2	7.9
BS-010	121	155.2	7.9
BS-020	171	205.2	7.9
BS-030	221	255.2	7.9
BS-040	271	305.2	7.9
BS-050	331	365.2	7.9
BS-600	97	129	14.8
BS-610	127	159	14.8
BS-620	177	209	14.8
BS-630	227	259	14.8
BS-640	277	309	14.8
BS-650	337	369	14.8
BS-660	377	409	14.8



Part No.	A	B	C	D
BS-740	61	95.2	8.9	200
BS-700	91	125.2	8.9	200
BS-701	121	155.2	8.9	200
BS-702	171	205.2	8.9	300
BS-703	221	255.2	8.9	300
BS-704	271	305.2	8.9	400
BS-705	331	365.2	8.9	400
BS-760	97	129	16.4	200
BS-761	127	159	16.4	200
BS-762	177	209	16.4	300
BS-763	227	259	16.4	300
BS-764	277	309	16.4	400
BS-765	337	369	16.4	400
BS-766	377	409	16.4	500

## 線材 / Wire Harness



Part No.	A
<b>BS-WR00101</b>	0.25M
<b>BS-WR00102</b>	0.4M

Part No.	A
<b>BS-WR00201</b>	0.25M
<b>BS-WR00202</b>	0.50M
<b>BS-WR00203</b>	1M
<b>BS-WR00204</b>	1.5M
<b>BS-WR00205</b>	2M

Part No.	A
<b>BS-WR00301</b>	0.25M
<b>BS-WR00302</b>	0.5M
<b>BS-WR00303</b>	1M
<b>BS-WR00304</b>	1.5M
<b>BS-WR00305</b>	2M

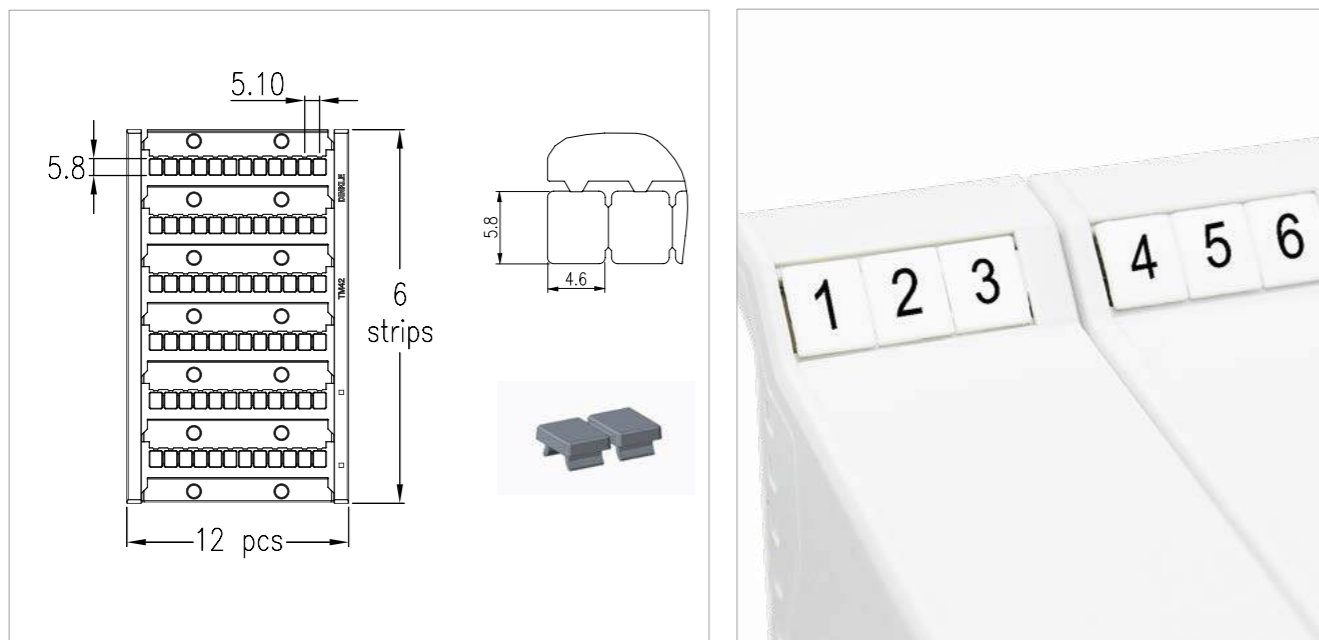
Part No.	A
<b>BS-WR00601</b>	0.25M
<b>BS-WR00602</b>	0.4M

## 殼體專用端子台 / Terminal blocks for Enclosures




適用端子台 / Applicable terminal block	BS-521XUN	BS-531XN	BS-537X	BS-560X	BS-550X	BS-555X	BS-526X	BS-527X
0184-11	●	●	●	●	●	●		●
0184-31	●	●	●	●	●	●		●
0184-51	●	●	●	●	●	●		●
0184-81	●	●	●	●	●	●		●
0188-01XXL	●	●	●	●	●	●	●	●
0188-01XXSMD	●	●	●	●	●	●	●	●
0138-51	●	●	●	●	●	●		●
0177-51		●	●	●	●	●		●
0177-31		●	●	●	●	●		●
0138-61	●	●	●	●	●	●		●
0171-10	●	●	●	●	●	●		●
0171-11	●	●	●	●	●	●		●
0171-20		●	●	●	●	●		●
0171-21		●	●	●	●	●		●
0228-22	●	●	●	●	●	●	●	●
0228-23		●	●	●	●	●		●
0156-1A		●	●	●	●	●		●
0156-1B		●	●	●	●	●		●
0156-1C		●	●	●	●	●		●
0156-1D		●	●	●	●	●		●
0156-15		●	●	●	●	●		●
0156-17		●	●	●	●	●		●
0156-18		●	●	●	●	●		●
0156-19		●	●	●	●	●		●
0225-01	●	●	●	●	●	●	●	●
0225-02	●	●	●	●	●	●	●	●
0225-03	●	●	●	●	●	●	●	●
0225-13	●	●	●	●	●	●	●	●
0225-23	●	●	●	●	●	●	●	●
0225-33	●	●	●	●	●	●	●	●

## 標示牌 / Marking Label



### TM42LW





# PCB 型端子台 / PCB Terminal Blocks

2.50mm			0188-01XXL			0188-01XXSMD			0188-02XXL		
Technical Data	UL	IEC									
Rated voltage	150V	160V	2.50*(P-1)+3.0			2.50*(P-1)+6.9			2.5*(P-1)+3.0		
Rated current	5A	6A	9.90			(10.7)			9.90		
Solid (AWG/mm <sup>2</sup> )	26~18	0.2~0.5	0.30			1.50			0.30		
Flexible (AWG/mm <sup>2</sup> )	26~18	0.2~0.5	0.65			2.50			0.65		
Rated impulse voltage	2.5KV		1.20			5.00			1.20		
Wire strip length	7~8mm		0.80			5.00			0.80		
Number of Positions	0188-01XXL 02~20P		0188-02XXL 02~20P			0188-01XXSMD 02~20P					




  

3.50mm			0138-51XX 0138-51XXL			3.50mm			0177-31XX		
Technical Data	UL	IEC									
Rated voltage	300V	160V	3.50*(P-1)+4.2			14.30			3.50*P+1.4		
Rated current	12A	17.5A	MAX 14.0			13.00			14.30		
Solid (AWG/mm <sup>2</sup> )	28~16	0.2~1.5	0.70			0.35			0.80		
Flexible (AWG/mm <sup>2</sup> )	28~16	0.2~1.5	2.10			3.50			3.50		
Rated impulse voltage	2.5KV		1.70			7.00			3.60		
Wire strip length	8~9mm		0.70			7.00			3.60		
Number of Positions	0138-51XX 02~24P		0138-51XXL 02~24P			0177-31XX 02~24P					



  

5.00mm			0177-51XX			5.08mm			0138-60XX 0138-60XXL		
Technical Data	UL	IEC									
Rated voltage	300V	320V	5.00*P+1.4			14.30			5.08*(P-1)+4.20		
Rated current	20A	24A	14.30			13.00			8.50		
Solid (AWG/mm <sup>2</sup> )	26~12	0.2~2.5	0.80			0.80			2.10		
Flexible (AWG/mm <sup>2</sup> )	26~12	0.2~2.5	5.00			4.10			5.08		
Rated impulse voltage	4KV		4.10			0.80			0.70		
Wire strip length	9~10mm		3.65			8.20			1.40		
Number of Positions	0177-51XX 02~12P		0177-53XX 02~12P			0138-60XX 02~18P			0138-60XXL 02~24P		




  

9.00mm			0171-10XX			0171-11XX			0171-60XX		
Technical Data	UL	IEC									
Rated voltage	300V	320V	9.00*(P/2-1)+10			9.00*(P/2-1)+10			9.00*P+1.00		
Rated current	300V	630V	7.70			7.70			12.70		
Rated current	8A	14A	0.30			0.30			0.30		
Rated current	8A	15A	1.50			1.50			1.80		
Solid (AWG/mm <sup>2</sup> )	28~16	0.2~1.5	4.50			4.50			6.50		
Flexible (AWG/mm <sup>2</sup> )	28~16	0.2~1.5	9.00			9.00			9.00		
Rated impulse voltage	4KV		1.30			1.30			1.30		
Rated impulse voltage	4KV		1.60			1.60			1.80		
Rated impulse voltage	6KV		4.00			4.00			3.20		
Wire strip length	7~8mm		0.60			0.60			1.80		
Number of Positions	0171-10XX / 0171-11XX 02~08P		0171-60XX 01~04P								




# PCB 型端子台 / PCB Terminal Blocks

12.50mm			0171-20XX			0171-21XX		
Technical Data	UL	IEC						
Rated voltage	300V	320V	12.50*(P/2-1)+13.50			12.50*(P/2-1)+13.50		
Rated current	15A	20A	10.10			10.10		
Solid (AWG/mm <sup>2</sup> )	24~12	0.2~2.5	1.85			1.85		
Flexible (AWG/mm <sup>2</sup> )	24~12	0.2~2.5	6.45			6.45		
Rated impulse voltage	4KV		3.00			3.00		
Wire strip length	9~10mm		1.65			1.65		
Number of Positions	0171-20XX 02~08P		0171-21XX 02~08P					




  

5.08mm			0228-21XX			0228-22XX			0228-23XX		
Technical Data	UL	IEC									
Rated voltage	300V	320V	5.08*(P/2-1)+6.76			5.08*(P/2-1)+6.76			5.08*(P/2-1)+6.76		
Rated current	8A	10A	12.00			12.00			12.00		
Solid (AWG/mm <sup>2</sup> )	28~16	0.2~1.5	3.38			3.38			3.38		
Flexible (AWG/mm <sup>2</sup> )	28~16	0.2~1.5	5.08			5.08			5.08		
Rated impulse voltage	4KV		1.30			1.30			1.90		
Wire strip length	8~9mm		0.60			0.60			0.60		
Number of Positions	0228-21XX 04~40P		0228-22XX 04~40P			0228-23XX 04~40P					

3.50mm			0225-01XX			0225-02XX			0225-03XX		
Technical Data	UL	IEC									
Rated voltage	300V	630V	3.50*(P-1)+11.4			3.50*(P-1)+14.4			3.50*(P-1)+4.2		
Rated current	8A	10A	21.40			24.4			21.4		
Solid (AWG/mm <sup>2</sup> )	28~16	0.2~1.5	8.55			8.55			8.55		
Flexible (AWG/mm <sup>2</sup> )	28~16	0.2~1.5	3.50			3.50			3.50		
Rated impulse voltage	4KV		8.00			11.00			8.00		
Wire strip length	8~9mm		0.60			0.60			0.60		
Number of Positions	0225-01XX 02~24P		0225-02XX 02~24P			0225-03XX 02~24P					

3.50mm			0225-13XX			0225-23XX			0225-33XX		
Technical Data	UL	IEC									
Rated voltage	300V	400V	3.50*(P-1)+11.40			3.50*(P-1)+11.40			3.50*(P-1)+5.0		
Rated current	8A	10A	11.35			11.35			11.35		
Rated impulse voltage	4KV		7.00			7.00			7.00		
Number of Positions	0225-13XX 02~14P		0225-23XX 02~14P			0225-33XX 02~24P					

• The product integrates light pipe for better indication

# 插拔式端子台 / Pluggable Terminal Blocks

2.54mm			0156-1AXX-BK	0156-1BXX-BK	0156-1CXX-BK
Technical Data	UL	IEC			
Rated voltage	150V	320V			
Rated current	5A	6A			
Rated impulse voltage		2.5KV			
Number of Positions					
0156-1AXX-BK		04~44P			
0156-1BXX-BK		06~44P			
0156-1CXX-BK		06~44P			
0156-1DXX-BK		04~44P			

2.54mm			0156-1DXX-BK
Technical Data	UL	IEC	
Rated voltage	150V	320V	
Rated current	5A	6A	
Rated impulse voltage		2.5KV	
Number of Positions			
0156-1DXX-BK		04~44P	

2.54mm			0156-17XX (0156-17XXL)	0156-15XX (0156-15XXL)	0156-19XX (0156-19XXL)
Technical Data	UL	IEC			
Rated voltage	150V	320V			
Rated current	5A	6A			
Rated impulse voltage		2.5KV			
Number of Positions					
0156-15XX		06~44P			
0156-15XXL		06~44P			
0156-17XX		06~44P			
0156-17XXL		06~44P			
0156-18XX		04~44P			
0156-18XXL		04~44P			
0156-19XX		06~44P			
0156-19XXL		06~44P			

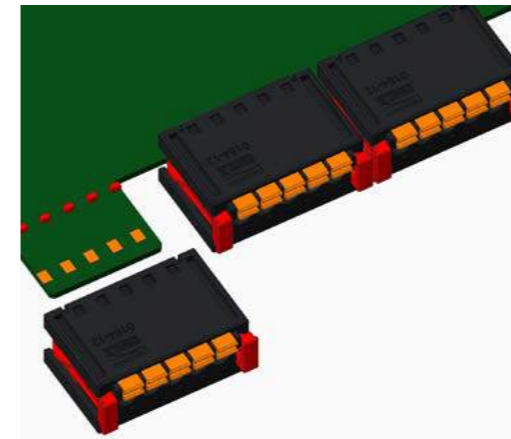
2.54mm			0156-18XX (0156-18XXL)
Technical Data	UL	IEC	
Rated voltage	150V	320V	
Rated current	5A	6A	
Rated impulse voltage		2.5KV	
Number of Positions			
0156-18XX		04~44P	
0156-18XXL		04~44P	

For THR products,  
Surge voltage category/pollution degree  
III/2 II/2

Rated voltage  
160 160

# 插拔式端子台 / Card-Edge Terminal Blocks

## Card-Edge – direct connection



**Wire connection method: Push-in connection**  
**Pitch: 3.50/ 5.0mm**  
**UL Rated: 150V/5A ~ 300V/6A**  
**IEC Rated: 320V/7A ~ 320V/7A**  
 - Direct connection on a 1.0 thick PCB without additional pin strip.  
 - Push-in connection for quick and easy wiring.  
 - Special indication design on each pole allows integration LED on the PCB for clear signal identification.

**0 1 8 4 - 1 5 X X**

①      ②③ ④

① series number

③ Compatible PCB thickness & Release tool  
1.0mm PCB thickness, with release tool

② Pitch  
1 = 3.5mm  
3 = 5.0mm

④ Pole number

3.50mm			0184-15XX	5.00mm			0184-35XX
Technical Data	UL	IEC					
Rated voltage	150V	320V					
Rated current	6A	7A					
Rated impulse voltage		2.5KV					
Wire strip length			8~9mm				
PCB thickness			1.0 mm				
0184-15XX							

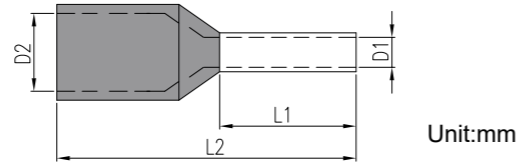
  

3.50mm			0184-15XX
Technical Data	UL	IEC	
Rated voltage	150V	320V	
Rated current	6A	7A	
Rated impulse voltage		2.5KV	
Wire strip length			8~9mm
PCB thickness			1.0 mm





  

5.00mm			0184-35XX
Technical Data	UL	IEC	
Rated voltage	300V	320V	
Rated current	6A	7A	
Rated impulse voltage		4KV	
Wire strip length			8~9mm
PCB thickness			1.0 mm

# 歐式端子及工具 / Ferrules and Tools



## Wire Ferrules

Part No.	Wire Range		Dimension				DIN Color	Package		Tools
	AWG	mm <sup>2</sup>	D1	D2	L1	L2		pcs/bag	bags/box	
DN00206D	24	0.2	0.75	1.9	6	10	Light Blue	100	10	<p><b>Note:</b> The wire diameter of the table is determined according to UL486E, IEC998-1 and IEC947-7. Please refer to the table to select suitable ferrules. All recommended ferrules in this catalogue are in accordance with this table.</p>  <p>DNT13-0102 28-7 AWG 0.08-10 mm<sup>2</sup></p>  <p>DNT13-0102 28-7 AWG 0.08-10 mm<sup>2</sup></p>   <p>DNT04-2010A 20~10 AWG 0.6-5 mm<sup>2</sup></p>
DN00208D					8	12				
DN00306D	22	0.34	0.8	1.9	6	10	Turquoise	500	8	
DN00308D					8	12				
DN00506D	20	0.5	1	2.6	6	12	White	500	6	
DN00508D					8	14				
DN00510D					10	16				
DN00706D	18	0.75	1.2	2.8	6	12	Grey	500	4	
DN00708D					8	14				
DN00710D					10	16				
DN00712D					12	18				
DN01006D	1	1.4	3	3	6	12	Red	500	3	
DN01008D					8	14				
DN01010D					10	16				
DN01012D					12	18				
DN01508D	16	1.5	1.7	3.5	8	14	Black	500	2	
DN01510D					10	16				
DN01512D					12	18				
DN01518D					18	24				
DN02508D	14	2.5	2.2	4.2	8	14	Blue	500	1	
DN02510D					10	16				
DN02512D					12	18				
DN02518D					18	24				
DN04010D	12	4	2.8	4.8	10	17	Grey	200	1	
DN04012D					12	20				
DN04018D	10	6	3.5	6.3	18	26	Yellow	100	1	
DN06012D					12	20				
DN06018D	7	10	4.5	7.6	18	26	Red	100	1	
DN10012D					12	20				
DN10018D	5	16	5.8	8.8	18	26	Blue	100	1	
DN16012D					12	20				
DN16018D	4	25	7.3	11.2	16	30	Yellow	50	1	
DN25016D					18	30				
DN25018D	2	35	8.3	12.7	22	36	Red	20	1	
DN25022D					16	30				
DN35016D	1	50	10.3	15	18	32	Blue	50	1	
DN35018D					25	39				
DN35025D	1	50	10.3	15	25	40	Yellow	20	1	
DN50020D					16	30				
DN50025D	2/0	70	13.5	16	18	32	Red	20	1	
DN70021D					21	37				
DN95025D	3/0	95	14.7	18	25	44	Blue	20	1	
DN96027D					27	48				
DN97032D	4/0	120	16.7	20	27	48	Yellow	20	1	

