

DINKLE ENTERPRISE CO., LTD.

No. 19, Wuquan 2nd Road, Wugu District,
New Taipei City 248020, Taiwan
TEL:+886-2-8069-9000 7705-6900
FAX:+886-2-2290-1705
E-mail:service@dinkle.com
Web:www.dinkle.com

DINKLE INTERNATIONAL CO., LTD.

No. 19, Wuquan 2nd Road, Wugu District,
New Taipei City 248020, Taiwan
TEL:+886-2-8069-9000 7705-6900
FAX:+886-2-2290-1703
E-mail:service@dinkle.com
Web:www.dinkle.com

OPTIKLE INTERNATIONAL CO., LTD.

Unit 29, 1/F, Block B, Proficient Industrial Center,
No 6, Wang Kwun Rd., Kowloon Bay,
Kowloon, Hong Kong
TEL:+852-2795-3840 2758-8005
FAX:+852-2753-6919
E-mail:Service.LY.Sales@dinkle.com.cn
Web:www.dinkle.com

DINKLE ELECTRIC MACHINERY (CHINA) CO., LTD.

No. 388, Xingpu Mid Road, Shipu, Qiandeng Town,
Kunshan City, Jiangsu Province 215343, China
TEL:+86-512-5708-8588
FAX:+86-512-5708-8600
E-mail:Service.SH.Sales@dinkle.com.cn
Web:www.dinkle.com/ks-cn/

DONGGUAN LI YANG ELECTRIC MACHINERY CO., LTD.

No.2 1st Street, Jinqianling, Huangjiang Town,
Dongguan City, Guangdong Province 523757, China
TEL:+86-769-8336-4350 8336-4370
FAX:+86-769-8384-8634
E-mail:Service.LY.Sales@dinkle.com.cn
Web:www.dinkle.com

DINKLE CORPORATION, USA

13748 Pike Road, Missouri City, Texas 77489, United States
TEL: +1-832-391-8231
Toll-Free:+1-844-273-1850
FAX:+1-832-532-7226
E-mail:Service.US.Sales@dinkle.com
Web:www.dinkle.com/en/home

DINKLE S.R.L., ITALY

Via Stabilini 14, Malgrate Lombardia 23864, Italia
TEL:+39-34-1171-6154
E-mail:Service.It.Sales@dinkle.com
Web:www.dinkle.com/it/

DINKLE ELECTRIC TRADING (SHANGHAI) CO., LTD.

Room 1601, No 18, North Caoxi Road, Xuhui district, Shanghai,
China
TEL:+86-21-6487-0636 6487-5423
FAX:+86-21-3356-2500
E-mail:Service.SH.Sales@dinkle.com.cn
Web:www.dinkle.com/cn/

Beijing Sales Office

TEL:+86-10-5873-4338
FAX:+86-10-5873-4337
E-mail: Service.SH.Sales@dinkle.com.cn
Web: www.dinkle.com/cn/



E-mail : service@dinkle.com

Web : www.dinkle.com

Dinkle remains the right of product modification and engineering change of design.
The catalogue is for reference only. The final product is made according to actual
engineering drawing.

弊社標準品に関しては、修正や設計変更等が行われるため、カタログは参考であり、
詳細仕様は図面を基準とする。

本公司對產品保有修改、設變權，目錄僅供參考，實際產品仍需依照工程圖面
為準。

MAR./2026.V05

Terminal Block

Delight Through Connections



DINKLE , Delight Through Connections !!

Established on July 22, 1983, Dinkle, after decades of market refinement, has been improving over time, providing globalization services by the core capability of terminal block manufacturing, and becoming the best partner in the industrial fields.

Headquartered in Taiwan, there are five manufacturing sites around the world, it's easy to find Dinkle service locations in every country. We cultivate professionals from various countries to provide excellent services for electrical connections, electrical cabinets and communication electronic products.

The R&D center has more than 400 engineers to innovate product design, carry out digital transformation from information digitization to technology digitization, and develop products suitable for industrial fields. The automated manufacturing of production lines at each site ensures excellent product performance and quality.

All production bases are certified by ISO9001 and ISO 14001, and the products have passed UL, cUL, VDE, TUV, ENEC, LR and other safety certifications.



Table of Contents

PID (Push-In Design) PCB Connectors

Pitch (mm)	Voltage (V)	Current (A)	Part number	Page	Remarks	Pitch (mm)	Voltage (V)	Current (A)	Part number	Page	Remarks
2.50	150	4	ESC250L-XXP	41		3.50	300	8	0225-01XX	23	Screw flange/light pipe
2.50	150	4	ESC250V-XXP	41		3.50	300	8	0225-02XX	23	Engaging lever locking
2.50	150	6	0288-1AXX	15		3.50	300	8	0225-03XX	24	Light pipe
2.50	150	6	0288-1DXX	16	Snap-in locking	3.50	300	8	0225-06XX	24	Screw flange
2.50	150	6	0288-2AXX	95	Engaging lever locking	3.50	300	8	0225-07XX	24	Engaging lever locking
2.50	150	6	0288-AAXX	95	Assembly	3.50	300	8	0225-08XX	24	
2.50	150	6	0288-ADXX	95	Assembly	3.50	300	8	0256-11XX	3	
2.54	150	5	0156-1AXX-BK	17	Screw flange	3.50	300	8	0256-12XX	3	Screw flange
2.54	150	5	0156-1BXX-BK	16		3.50	300	8	0256-13XX	3	Engaging lever locking
2.54	150	5	0156-1CXX-BK	17	Snap-in locking	3.50	300	8	0256-14XX	4	Rotary hook locking
2.54	150	5	0156-1DXX-BK	17	Rotary hook locking	3.50	300	8	0256-21XX	3	
2.54	150	6	0157-1BXX	18		3.50	300	8	0256-22XX	3	Screw flange
3.50	150	8	0156-2AXX-BK	19	Screw flange	3.50	300	8	0256-23XX	3	Engaging lever locking
3.50	150	8	0156-2BXX-BK	19		3.50	300	8	0256-24XX	4	Rotary hook locking
3.50	150	8	0156-2CXX-BK	19	Engaging lever locking	3.50	300	8	0256-31XX	3	
3.50	150	8	0156-2DXX-BK	19	Rotary hook locking	3.50	300	8	0256-32XX	3	Screw flange
3.50	300	8	0159-05XX	22	Screw flange/light pipe	3.50	300	8	0256-33XX	3	Engaging lever locking
3.50	300	8	0159-07XX	22	Light pipe	3.50	300	8	0256-34XX	4	Rotary hook locking
3.50	300	8	0159-08XX	22	Rotary hook locking	3.50	300	8	ESC350V-XXP	42	
3.50	300	8	0181-A1XX	92	Screw flange	3.50	300	8	ESC350VK-XXP	42	Rotary hook locking
3.50	300	8	0181-A3XX	92		3.50	300	8	ESC350VM-XXP	42	Screw flange
3.50	300	8	0218-21XX	4		3.50	300	10	0156-9AXX	20	Screw flange
3.50	300	8	0218-21XXM0256-11	96	Assembly	3.50	300	10	0156-9BXX	19	
3.50	300	8	0218-21XXM0256-21	96	Assembly	3.50	300	10	0156-9CXX	19	Press buckle locking
3.50	300	8	0218-21XXM0256-31	96	Assembly	3.50	300	10	0156-9DXX	20	Rotary hook locking
3.50	300	8	0218-23XX	4		3.50	300	10	0159-01XX	21	Screw flange
3.50	300	8	0218-23XXM0256-13	96	Assembly	3.50	300	10	0159-03XX	21	
3.50	300	8	0218-23XXM0256-23	96	Assembly	3.50	300	10	0159-04XX	21	Rotary hook locking
3.50	300	8	0218-23XXM0256-33	96	Assembly	3.81	300	8	0221-42XX	33	
3.50	300	8	0218-25XX	4		3.81	300	8	0221-43XX	33	Screw flange
3.50	300	8	0218-25XXM0256-11	96	Assembly	3.81	300	8	0221-44XX	33	Engaging lever locking
3.50	300	8	0218-25XXM0256-21	96	Assembly	3.81	300	8	0256-61XX	5	
3.50	300	8	0218-25XXM0256-31	96	Assembly	3.81	300	8	0256-62XX	5	Screw flange
3.50	300	8	0218-27XX	4		3.81	300	8	0256-63XX	5	Engaging lever locking
3.50	300	8	0218-27XXM0256-13	96	Assembly	3.81	300	8	0256-64XX	6	Rotary hook locking
3.50	300	8	0218-27XXM0256-23	96	Assembly	3.81	300	8	0256-71XX	5	
3.50	300	8	0218-27XXM0256-33	96	Assembly	3.81	300	8	0256-72XX	5	Screw flange
3.50	300	8	0218-2GXX	4		3.81	300	8	0256-73XX	5	Engaging lever locking
3.50	300	8	0218-2GXXM0256-13	95	Assembly	3.81	300	8	0256-74XX	6	Rotary hook locking
3.50	300	8	0218-2GXXM0256-33	95	Assembly	3.81	300	8	0256-81XX	5	
3.50	300	8	0221-20XX	31		3.81	300	8	0256-82XX	5	Screw flange
3.50	300	8	0221-21XX	32	Engaging lever locking	3.81	300	8	0256-83XX	5	Engaging lever locking
3.50	300	8	0221-24XX	32	Snap-in locking	3.81	300	8	0256-84XX	6	Rotary hook locking
3.50	300	8	0221-28XX	32	Screw flange	3.81	300	8	ESC381V-XXP	42	
3.50	300	8	0221-29XX	32	Rotary hook locking	3.81	300	8	ESC381VK-XXP	42	Rotary hook locking



PID (Push-In Design) PCB Connectors

Pitch (mm)	Voltage (V)	Current (A)	Part number	Page	Remarks	Pitch (mm)	Voltage (V)	Current (A)	Part number	Page	Remarks
3.81	300	8	ESC381VM-XXP	42	Screw flange	5.08	300	8	ESC508VM-XXP	44	Screw flange
5.00	300	10	0226-01XX	25	Screw flange/light pipe	5.08	300	10	0121-01XX	45	Screw flange / test holes
5.00	300	10	0226-02XX	25	Engaging lever locking	5.08	300	10	2ESDS-XXP	44	
5.00	300	10	0226-03XX	25	Light pipe	5.08	300	10	2ESDSM-XXP	44	Screw flange
5.00	300	10	0226-06XX	26	Screw flange	5.08	300	10	2ESDSR-XXP	44	
5.00	300	10	0226-07XX	26	Engaging lever locking	5.08	300	10	2ESDSRM-XXP	44	Screw flange
5.00	300	10	0226-08XX	26		5.08	300	10	2ESDSV-XXP	45	
5.00	300	10	5ESDS-XXP	43		5.08	300	10	2ESDSVK-XXP	45	Rotary hook locking
5.00	300	10	5ESDSM-XXP	43	Screw flange	5.08	300	10	2ESDSVM-XXP	45	Screw flange
5.00	300	10	5ESDSR-XXP	43		5.08	300	10	2ESR-XXP	36	
5.00	300	10	5ESDSRM-XXP	43	Screw flange	5.08	300	10	2ESRK-XXP	36	Rotary hook locking
5.00	300	10	5ESR-XXP	34		5.08	300	10	2ESRM-XXP	36	Screw flange
5.00	300	10	5ESRK-XXP	34	Rotary hook locking	5.08	300	10	2ESV-XXP	36	
5.00	300	10	5ESRM-XXP	34	Screw flange	5.08	300	10	2ESVK-XXP	36	Rotary hook locking
5.00	300	10	5ESV-XXP	34		5.08	300	10	2ESVM-XXP	36	Screw flange
5.00	300	10	5ESVK-XXP	34	Rotary hook locking	5.08	300	12	0229-A5XXY	98	Inverted plug
5.00	300	10	5ESVM-XXP	34	Screw flange	5.08	300	12	0229-A9XXY	98	Inverted plug
5.00	300	15	0161-01XX	93	Screw flange	5.08	300	12	0229-F4XX	29	Screw flange
5.00	300	15	0161-02XX	93	Engaging lever locking	5.08	300	12	0229-F5XX	29	Engaging lever locking
5.00	300	15	0161-03XX	93		5.08	300	12	0229-F5XXY	98	Snap-in locking
5.00	300	15	0161-04XX	93	Rotary hook locking	5.08	300	12	0229-F9XX	29	
5.00	300	15	0189-25XX	130		5.08	300	12	0229-F9XXY	98	
5.00	300	15	0227-01XX	27	Screw flange/light pipe	5.08	300	12	0229-FAXX	30	Rotary hook locking
5.00	300	15	0227-02XX	27	Engaging lever locking	5.08	300	12	0229-M5XXY	98	Assembly
5.00	300	15	0227-03XX	27	Light pipe	5.08	300	12	0229-M9XXY	98	Assembly
5.00	300	15	0227-04XX	27	Rotary hook locking	5.08	300	12	2ESDB-XXP	94	
5.00	300	15	0227-06XX	28	Screw flange	5.08	300	12	2ESDBA-XXP	94	
5.00	300	15	0227-07XX	28	Engaging lever locking	5.08	300	12	2ESDBAM-XXP	94	Screw flange
5.00	300	15	0227-08XX	28		5.08	300	12	2ESDBM-XXP	94	Screw flange
5.00	300	15	0227-09XX	28	Rotary hook locking	5.08	300	15	0257-61XX	8	
5.00	300	15	0257-11XX	7		5.08	300	15	0257-62XX	8	Screw flange
5.00	300	15	0257-12XX	7	Screw flange	5.08	300	15	0257-64XX	8	Rotary hook locking
5.00	300	15	0257-14XX	7	Rotary hook locking	5.08	300	15	0257-71XX	8	
5.00	300	15	0257-21XX	7		5.08	300	15	0257-72XX	8	Screw flange
5.00	300	15	0257-22XX	7	Screw flange	5.08	300	15	0257-74XX	8	Rotary hook locking
5.00	300	15	0257-24XX	7	Rotary hook locking	5.08	300	15	0257-81XX	8	
5.00	300	15	0257-31XX	7		5.08	300	15	0257-82XX	8	Screw flange
5.00	300	15	0257-32XX	7	Screw flange	5.08	300	15	0257-84XX	8	Rotary hook locking
5.00	300	15	0257-34XX	7	Rotary hook locking	5.08	300	15	2ESS-XXP	35	
5.00	300	15.5	0234-20XX-MW	40	Snap-in locking	5.08	300	15	2ESSM-XXP	35	Screw flange
5.08	300	8	0225-04XX	29	Screw flange	5.08	300	16	0150-20XX	37	Lock flange beneath
5.08	300	8	0225-05XX	29	Engaging lever locking	6.35	600	20	0150-30XX	38	Lock flange beneath
5.08	300	8	0225-09XX	29		7.50	600	15	0150-40XX	38	Lock flange beneath
5.08	300	8	0225-0AXX	30	Rotary hook locking	7.50	300	15.5	0254-20XX	40	Snap-in locking
5.08	300	8	ESC508V-XXP	44		7.50	300	16	0254-30XX	40	Snap-in locking

Table of Contents

PID (Push-In Design) PCB Connectors

Pitch (mm)	Voltage (V)	Current (A)	Part number	Page	Remarks	Pitch (mm)	Voltage (V)	Current (A)	Part number	Page	Remarks
7.50	300	16	0234-30XX-MW	40	Snap-in locking	7.62	300	16	0258-61XX	9	
7.62	300	10	3ESDS-XXP	46		7.62	300	18	3ESDSRH-XXP	46	
7.62	300	10	3ESDSM-XXP	46	Screw flange	7.62	300	18	3ESDSRHM-XXP	46	Screw flange
7.62	300	10	3ESDSR-XXP	46		10.16	600	51	0187-A4XX	94	
7.62	300	10	3ESDSRM-XXP	46	Screw flange						

Sockets (Headers)

Pitch (mm)	Voltage (V)	Current (A)	Part number	Page	Remarks	Pitch (mm)	Voltage (V)	Current (A)	Part number	Page	Remarks
2.50	150	4	ECH250V-XXP	68		3.50	150	8	0159-31XXWR	84	T&R package
2.50	150	4	ECH250V-XXPL	68	THR	3.50	150	8	0159-32XX	21	
2.50	150	4	ECH250R-XXP	68		3.50	150	8	0159-32XXL	21	THR
2.50	150	4	ECH250R-XXPL	68	THR	3.50	150	8	0159-32XXLWR	84	THR, T&R package
2.50	150	4	ECHB250V-XXP	68		3.50	150	8	0159-32XXWR	84	T&R package
2.50	150	4	ECHB250R-XXP	68		3.50	150	8	0159-33XX	22	
2.54	150	5	0156-10XX	16		3.50	150	8	0159-33XXL	22	THR
2.54	150	5	0156-10XXL	16	THR	3.50	300	8	0221-22XX-BK	31	Dual row
2.54	150	5	0156-12XX	17	Threaded flange	3.50	300	8	0221-22XXL	31	THR, dual row
2.54	150	5	0156-12XXL	17	THR	3.50	300	8	0221-23XXL	31	THR, dual row
2.54	150	5	0156-13XX	17	Threaded flange	3.50	300	8	0221-25XX-BK	31	Triple row
2.54	150	5	0156-13XXL	17	THR	3.50	300	8	0221-25XXL	31	THR
2.54	150	5	0156-15XX	16		3.50	300	8	0221-26XXL	32	Snap-in locking/THR
2.54	150	5	0156-15XXL	16	THR	3.50	300	8	0221-27XX-BK	32	Snap-in locking, dual row
2.54	150	5	0156-16XX	17	Snap-in locking	3.50	300	8	0221-27XXL	32	THR
2.54	150	5	0156-16XXL	17	THR	3.50	300	8	0221-35XXL	32	Threaded flange/THR
2.54	150	5	0156-17XX	17	Threaded flange	3.50	300	8	0221-36XXL	32	Threaded flange/THR
2.54	150	5	0156-17XXL	17	THR	3.50	300	8	0221-41XX-BK	31	Triple row
2.54	150	5	0156-18XX	17	Threaded flange	3.50	300	8	0221-41XXL	31	THR
2.54	150	5	0156-18XXL	17	THR	3.50	300	8	0225-13XX	23	Threaded flange
2.54	150	5	0156-19XX	17	Snap-in locking	3.50	300	8	0225-13XXL	23	THR
2.54	150	5	0156-19XXL	17	THR	3.50	300	8	0225-14XX	23	Threaded flange
2.54	150	6	0157-10XXL	18	THR	3.50	300	8	0225-14XXL	23	THR
2.54	150	6	0157-15XXL	18	THR	3.50	300	8	0225-16XX	24	Threaded flange
3.50	150	8	0159-11XX	21	Threaded flange	3.50	300	8	0225-16XXL	24	THR
3.50	150	8	0159-11XXL	21	THR	3.50	300	8	0225-17XX	24	Threaded flange
3.50	150	8	0159-11XXLWR	84	THR, T&R package	3.50	300	8	0225-17XXL	24	THR
3.50	150	8	0159-11XXWR	84	T&R package	3.50	300	8	0225-23XX	23	Engaging lever locking
3.50	150	8	0159-12XX	21	Threaded flange	3.50	300	8	0225-23XXL	23	THR
3.50	150	8	0159-12XXL	21	THR	3.50	300	8	0225-24XX	23	Engaging lever locking
3.50	150	8	0159-12XXLWR	84	THR, T&R package	3.50	300	8	0225-24XXL	23	THR
3.50	150	8	0159-12XXWR	84	T&R package	3.50	300	8	0225-26XX	24	Engaging lever locking
3.50	150	8	0159-13XX	22	Threaded flange	3.50	300	8	0225-26XXL	24	THR
3.50	150	8	0159-13XXL	22	THR	3.50	300	8	0225-27XX	24	Engaging lever locking
3.50	150	8	0159-31XX	21		3.50	300	8	0225-27XXL	24	THR
3.50	150	8	0159-31XXL	21	THR	3.50	300	8	0225-33XX	24	Light hole
3.50	150	8	0159-31XXLWR	84	THR, T&R package	3.50	300	8	0225-33XXL	24	THR



Sockets (Headers)

Pitch (mm)	Voltage (V)	Current (A)	Part number	Page	Remarks	Pitch (mm)	Voltage (V)	Current (A)	Part number	Page	Remarks
3.50	300	8	0225-34XX	24	Light hole	3.50	300	8	ECH350VM-XXPLWR	85	THR, T&R package
3.50	300	8	0225-34XXL	24	THR	3.50	300	8	ECH350VM-XXPWR	85	T&R package
3.50	300	8	0225-36XX	24		3.50	300	8	ECH350VT-XXPL	70	THR
3.50	300	8	0225-36XXL	24	THR	3.50	300	8	ECH350VT-XXPLWR	85	THR, T&R package
3.50	300	8	0225-37XX	24		3.50	300	8	ECHB350R-XXP	70	
3.50	300	8	0225-37XXL	24	THR	3.50	300	8	ECHB350RM-XXP	70	Threaded flange
2.50	150	6	0288-6AXXSMDWR	15		3.50	300	8	ECHB350V-XXP	70	
2.50	150	6	0288-6AXXLWR	15		3.50	300	8	ECHB350VM-XXP	70	Threaded flange
2.50	150	6	0288-6BXXSMDWR	15		3.50	300	8	EECH350R-XXP	70	
2.50	150	6	0288-6BXXLWR	16		3.50	300	8	EECH350RM-XXP	70	Threaded flange
2.50	150	6	0288-8AXXSMDWR	16	Snap-in locking	3.50	300	8	EECH350V-XXP	70	
2.50	150	6	0288-8BXXSMDWR	16	Snap-in locking	3.50	300	8	EECH350VM-XXP	70	Threaded flange
2.50	150	6	0288-9AXXSMDWR	15		3.50	150	10	0156-20XX-BK	19	
3.50	300	8	ECH350H-XXP	70		3.50	150	10	0156-20XX-BK-WR	84	T&R package
3.50	300	8	ECH350R-XXP	69		3.50	150	10	0156-20XXL	19	THR
3.50	300	8	ECH350R-XXPL	69	THR	3.50	150	10	0156-20XXLWR	84	THR, T&R package
3.50	300	8	ECH350R-XXPLWR	85	T&R package/THR	3.50	150	10	0156-21XX-BK	19	Threaded flange
3.50	300	8	ECH350R-XXPWR	85	T&R package	3.50	150	10	0156-21XX-BK-WR	84	T&R package
3.50	300	8	ECH350RD-XXP	69	Rotary hook locking	3.50	150	10	0156-21XXL	19	THR
3.50	300	8	ECH350RG-XXP	70	Light pipe	3.50	150	10	0156-21XXLWR	84	THR, T&R package
3.50	300	8	ECH350RJ-XXP	32	Engaging lever locking	3.50	150	10	0156-22XX-BK	20	Threaded flange
3.50	300	8	ECH350RJ-XXPL	32	THR	3.50	150	10	0156-22XXL	20	THR
3.50	300	8	ECH350RM-XXP	32	Threaded flange	3.50	150	10	0156-24XX-BK	19	Press buckle locking
3.50	300	8	ECH350RM-XXPL	32	THR	3.50	150	10	0156-24XX-BK-WR	84	T&R package
3.50	300	8	ECH350RM-XXPLWR	85	T&R package/THR	3.50	150	10	0156-24XXL	19	THR
3.50	300	8	ECH350RM-XXPWR	85	T&R package	3.50	150	10	0156-24XXLWR	84	THR, T&R package
3.50	300	8	ECH350RR-XXP	69		3.50	150	10	0156-25XX-BK	19	
3.50	300	8	ECH350RR-XXPL	69	THR	3.50	150	10	0156-25XX-BK-WR	84	T&R package
3.50	300	8	ECH350RR-XXPLWR	85	T&R package/THR	3.50	150	10	0156-25XXL	19	THR
3.50	300	8	ECH350RR-XXPWR	85	T&R package	3.50	150	10	0156-25XXLWR	84	THR, T&R package
3.50	300	8	ECH350RRM-XXP	69	Threaded flange	3.50	150	10	0156-26XX-BK	19	Threaded flange
3.50	300	8	ECH350RRM-XXPL	69	THR	3.50	150	10	0156-26XX-BK-WR	84	T&R package
3.50	300	8	ECH350RRM-XXPLWR	85	T&R package/THR	3.50	150	10	0156-26XXL	19	THR
3.50	300	8	ECH350RRM-XXPWR	85	T&R package	3.50	150	10	0156-26XXLWR	84	THR, T&R package
3.50	300	8	ECH350RT-XXPL	70	THR	3.50	150	10	0156-27XX-BK	20	Threaded flange
3.50	300	8	ECH350RT-XXPLWR	85	THR, T&R package	3.50	150	10	0156-27XXL	20	THR
3.50	300	8	ECH350V-XXP	69		3.50	150	10	0156-29XX-BK	19	Press buckle locking
3.50	300	8	ECH350V-XXPL	69	THR	3.50	150	10	0156-29XX-BK-WR	84	T&R package
3.50	300	8	ECH350V-XXPLWR	85	THR, T&R package	3.50	150	10	0156-29XXL	19	THR
3.50	300	8	ECH350V-XXPWR	85	T&R package	3.50	150	10	0156-29XXLWR	84	THR, T&R package
3.50	300	8	ECH350VD-XXP	69	Rotary hook locking	3.81	300	8	0221-33XX-BK	33	Dual row
3.50	300	8	ECH350VJ-XXP	32		3.81	300	8	0221-33XXL	33	THR
3.50	300	8	ECH350VJ-XXPL	32	THR	3.81	300	8	0221-39XX-BK	33	Dual row
3.50	300	8	ECH350VM-XXP	32	Threaded flange	3.81	300	8	0221-39XXL	33	THR
3.50	300	8	ECH350VM-XXPL	32	THR	3.81	300	8	0221-51XX-BK	33	Threaded flange

Table of Contents



Sockets (Headers)

Pitch (mm)	Voltage (V)	Current (A)	Part number	Page	Remarks	Pitch (mm)	Voltage (V)	Current (A)	Part number	Page	Remarks
5.08	300	20	2EHDR-XXPLWR	87	T&R package/THR	7.62	300	15	3EHDVM-XXP	78	Threaded flange
5.08	300	20	2EHDR-XXPWR	87	T&R package	7.62	300	15	3EHDVM-XXPWR	87	T&R package
5.08	300	20	2EHDRG-XXP	75	Rotary hook locking	7.62	300	25	0183-11XX	64	
5.08	300	20	2EHDV-XXP	76		7.62	300	25	0183-11XXTXX	64	
5.08	300	20	2EHDV-XXPL	76	THR	7.62	300	30	ECH762R-XXP	79	
5.08	300	20	2EHDV-XXPLWR	87	T&R package/THR	7.62	300	30	ECH762RM-XXP	79	Threaded flange
5.08	300	20	2EHDV-XXPWR	87		7.62	300	30	ECH762RRM-XXP	79	Threaded flange
5.08	300	20	2EHDVG-XXP	75	Rotary hook locking	7.62	300	30	ECH762RR-XXP	79	
6.35	600	20	0150-36XX	38		7.62	300	30	ECH762RTM-XXP	79	Threaded flange
7.50	300	15	7EHDR-XXP	78		7.62	300	30	ECH762V-XXP	79	
7.50	300	15	7EHDR-XXP	78		7.62	300	30	ECH762VM-XXP	79	Threaded flange
7.50	300	15	7EHDRM-XXP	78	Threaded flange	7.62	300	30	ECH762VTM-XXP	79	Threaded flange
7.50	300	15	7EHDV-XXP	78		7.62	600	41	ECH762HR-XXP	79	
7.50	300	15	7EHDVC-XXP	78		7.62	600	41	ECH762HRM-XXP	79	Threaded flange
7.50	300	15	7EHDVM-XXP	78	Threaded flange	7.62	600	41	ECH762HRR-XXP	79	
7.50	300	15.5	0234-26XX	40		7.62	600	41	ECH762RE-XXP	80	
7.50	300	16	0234-36XX	40		7.62	300	41	ECH762RRE-XXP	80	
7.50	300	18	0150-46XX	38	With support pins	8.80	600	65	ECH880HR-XXP	64	
7.62	300	15	3EHDR-XXP	78		8.80	600	65	ECH880RT-XXP	64	Snap-in locking
7.62	300	15	3EHDR-XXPWR	87	T&R package	10.16	600	51	ECH116HRS-XXP	65	
7.62	300	15	3EHDR-XXPWR	87	T&R package	10.16	600	51	ECH116HRSM-XXP	65	Threaded flange
7.62	300	15	3EHDRM-XXP	78	Threaded flange	10.16	600	51	ECH116HVS-XXP	65	
7.62	300	15	3EHDRM-XXPWR	87	T&R package	10.16	600	51	ECH116HVS-XXP	65	Threaded flange
7.62	300	15	3EHDV-XXP	78		10.16	300	51	ECH116L-XXP	65	
7.62	300	15	3EHDV-XXPWR	87	T&R package	10.16	300	51	ECH116R-XXP	65	
7.62	300	15	3EHDVC-XXP	78		10.16	300	51	ECH116RM-XXP	65	Threaded flange
7.62	300	15	3EHDVC-XXPWR	87	T&R package	10.16	300	51	ECH116V-XXP	65	
7.62	300	15	3EHDVC-XXPWR	87	T&R package	15.00	600	115	ECH150RM-XXP	66	Threaded flange

PID & Screw Connection Inverted headers

Pitch (mm)	Voltage (V)	Current (A)	Part number	Page	Remarks	Pitch (mm)	Voltage (V)	Current (A)	Part number	Page	Remarks
3.50	300	8	EC350CR-XXP	121		5.08	300	15 / 12	2ESDCVM-XXP	121	Threaded flange
3.50	300	8	EC350CV-XXP	121		5.08	300	15	2ESH-XXP	122	Inverted contact
3.81	300	8	EC381CR-XXP	122		5.08	300	15	2ESHM-XXP	122	Screw flange
3.81	300	8	EC381CV-XXP	122		7.62	300	41	EC762CR-XXP	123	
3.81	300	8	ECSH381K-XXP	122		7.62	600	41	ECSH762FS-XXP	123	Mounting flange
3.81	300	8	ECSH381MK-XXP	122	Screw flange	7.62	600	41	ECSH762SS-XXP	123	Mounting flange
3.81	300	8	ECSH381V-XXP	122	Inverted contact	7.62	600	41	ECSH762V-XXP	123	
3.81	300	8	ECSH381VM-XXP	122	Screw flange	10.16	300	51	EC116CV-XXP	124	Inverted contact
5.00	300	15	0161-11XX	93	Screw flange	10.16	300	51	EC116CVM-XXP	124	Screw flange
5.00	300	15	0161-12XX	93	Engaging lever locking	10.16	600	51	ECSH116K-XXP	98	Screw flange
5.00	300	15	0161-13XX	93	Inverted contact	10.16	600	51	ECSH116M-XXP	98	Screw flange
5.00	300	15	0161-14XX	93	Rotary hook locking	10.16	600	51	ECSH116MK-XXP	98	Screw flange
5.08	300	15 / 12	2ESDCR-XXP	121		10.16	600	51	ECSH116V-XXP	98	Threaded flange
5.08	300	15 / 12	2ESDCRM-XXP	121	Threaded flange	10.16	600	51	ECSH116VM-XXP	124	Screw flange
5.08	300	15 / 12	2ESDCV-XXP	121							

Card-Edge Connectors

Pitch (mm)	Voltage (V)	Current (A)	Part number	Page	Remarks	Pitch (mm)	Voltage (V)	Current (A)	Part number	Page	Remarks
3.50	150	6	0184-11XX	125	Light pipe	5.00	300	6	0184-31XX	126	Light pipe
3.50	150	6	0184-13XX	125	Light pipe	5.00	300	6	0184-33XX	126	Light pipe
3.50	150	6	0184-15XX	125	Engaging lever locking	5.00	300	6	0184-35XX	126	Engaging lever locking
3.50	150	6	0184-16XX	125	Engaging lever locking	5.00	300	6	0184-36XX	126	Engaging lever locking
3.50	150	8	0184-01XX	126		5.00	300	16	5ESDG-XXP	126	PCB connection
3.50	150	12	CPC350-XXP	126	PCB connection						



Screw Connection PCB Connectors

Pitch (mm)	Voltage (V)	Current (A)	Part number	Page	Remarks	Pitch (mm)	Voltage (V)	Current (A)	Part number	Page	Remarks
3.50	300	8	EC350F-XXP	50		3.81	300	8	EC381VM-XXP	49	Screw flange
3.50	300	8	EC350FM-XXP	50	Screw flange	5.00	300	15	5ESDA-XXP	53	
3.50	300	8	EC350RL-XXP	49	With strain relief	5.00	300	15	5ESDAM-XXP	53	Screw flange
3.50	300	8	EC350RLM-XXP	49	Screw flange	5.00	300	15	5ESDF-XXP	52	
3.50	300	8	EC350R-XXP	49		5.00	300	15	5ESDFM-XXP	52	Screw flange
3.50	300	8	EC350RM-XXP	49	Screw flange	5.00	300	15	5ESDPL-XXP	54	
3.50	300	8	EC350V-XXP	49		5.00	300	15	5ESDPLM-XXP	54	Screw flange
3.50	300	8	EC350VM-XXP	49	Screw flange	5.00	300	15	5ESDP-XXP	53	
3.81	300	8	EC381F-XXP	50		5.00	300	15	5ESDP-XXP	53	Screw flange
3.81	300	8	EC381FM-XXP	50	Screw flange	5.00	300	15	5ESDPM-XXP	53	Screw flange
3.81	300	8	EC381L-XXP	51	With strain relief	5.00	300	15	5ESDT-XXP	51	
3.81	300	8	EC381LM-XXP	51	Screw flange	5.00	300	15	5ESDTS-XXP	51	With test hole
3.81	300	8	EC381R-XXP	49		5.00	300	15	5ESDV-XXP	53	
3.81	300	8	EC381RL-XXP	49		5.00	300	15	5ESDVM-XXP	53	Screw flange
3.81	300	8	EC381RLM-XXP	49	Screw flange	5.08	300	12	EC508F-XXP	52	
3.81	300	8	EC381RM-XXP	49	Screw flange	5.08	300	12	EC508FM-XXP	52	Screw flange
3.81	300	8	EC381V-XXP	49		5.08	300	12	EC508V-XXP	52	Screw flange
3.81	300	8	EC381VK-XXP	51	Rotary hook locking	5.08	300	15	2ESDA-XXP	55	

PID & Screw Connection Plugs & Pin Strips

Pitch (mm)	Voltage (V)	Current (A)	Part number	Page	Remarks	Pitch (mm)	Voltage (V)	Current (A)	Part number	Page	Remarks
3.50	150	2	0191-01XX	89		5.00	300	2	0191-12XXTH	89	Pin strip, THR
3.50	150	2	0191-01XXC	89	With cover	5.00	300	7	ED130F-XXP	88	
3.50	150	2	0191-11XXTH	89	Pin strip, THR	5.00	300	7	EDH130F-XX/12.6	88	
3.50	300	8	0191-06XX	88		5.00	300	7	EDH130F-XXTH126	88	Pin strip
3.50	300	8	0191-06XXC	88	With cover	5.00	300	7	EDH130S-20XXTHT	89	
3.50	300	8	0191-16XXTH	88	Pin strip, THR	5.00	300	12	ED130T-XXP	88	
4.00	300	10	0162-01XX	90		5.00	300	12	EDH130-21XX	88	
4.00	300	10	0162-06XX	90		5.00	300	12	EDH130-21XXTHT	88	Pin strip
4.00	300	10	0162-11XX	90	Pin socket	5.08	300	10	0164-01XX	90	
4.00	300	10	0162-A1XX	90		5.08	300	10	0164-01XX(T)	90	
4.00	300	10	0162-A6XX	90		5.08	300	10	0164-02XX	90	
5.00	300	2	0191-02XX	89		5.08	300	10	0164-11XX	90	Pin socket
5.00	300	2	0191-02XXC	89	With cover	5.08	300	10	0164-11XXL	90	Pin socket, THR
5.00	300	5	0191-04XX	89		5.08	300	10	0164-12XX	90	Pin socket
5.00	300	5	0191-04XXC	89	With cover	5.08	300	10	0164-12XXL	90	Pin socket, THR
5.00	300	7	0191-05XX	89		5.08	300	10	0164-A1XX	90	
5.08	300	10	0164-A1XX(T)	90		5.08	300	10	0164-A2XX	90	

Table of Contents



Screw Connection PCB Connectors

Pitch (mm)	Voltage (V)	Current (A)	Part number	Page	Remarks	Pitch (mm)	Voltage (V)	Current (A)	Part number	Page	Remarks
5.08	300	15	2ESDAM-XXP	55	Screw flange	7.62	600	15	3ESNPLS-XXP	61	
5.08	300	15	2ESDF-XXP	53		7.62	600	15	3ESNPLSM-XXP	61	Screw flange
5.08	300	15	2ESDFM-XXP	53	Screw flange	7.62	600	15	3ESNPM-XXP	61	Screw flange
5.08	300	15	2ESDL-XXP	56		7.62	600	15	3ESNPS-XXP	61	
5.08	300	15	2ESDP-XXP	55		7.62	600	15	3ESNPSM-XXP	61	Screw flange
5.08	300	15	2ESDPM-XXP	55	Screw flange	7.62	600	18	3ESNPH-XXP	62	
5.08	300	15	2ESDPL-XXP	56		7.62	600	18	3ESNPHM-XXP	62	Screw flange
5.08	300	15	2ESDPLM-XXP	56	Screw flange	7.62	600	18	3ESNPHL-XXP	62	
5.08	300	15	2ESDV-XXP	55		7.62	600	18	3ESNPHLM-XXP	62	Screw flange
5.08	300	15	2ESDV-XXP	92		7.62	600	20	3ESDVH-XXP	58	High current
5.08	300	15	2ESDVBM-XXP	92	Screw flange	7.62	600	20	3ESDVHM-XXP	58	High current
5.08	300	15	2ESDVM-XXP	55	Screw flange	7.62	600	25	0183-01XX	64	
5.08	300	15	2ESDVNM-XXP	56		7.62	600	25	0183-01XXTX	64	
5.08	300	15	2ESDVS-03P	55		7.62	600	25	3ESNVH-XXP	62	High current
5.08	300	20	2ESDVH-XXP	54	High current	7.62	600	25	3ESNVHM-XXP	62	High current
7.50	300	15	7ESDP-XXP	57		7.62	600	40	EC762HV-XXP	63	High voltage
7.50	300	15	7ESDPL-XXP	57		7.62	600	40	EC762HVM-XXP	63	High current
7.50	300	15	7ESDPLM-XXP	57	Screw flange	7.62	600	40	EC762HVN-XXP	63	High voltage
7.50	300	15	7ESDPM-XXP	57	Screw flange	7.62	600	40	EC762HVM-XXP	63	High current
7.50	300	15	7ESDV-XXP	57		7.62	600	41	EC762H-XXP	80	High current
7.50	300	15	7ESDVM-XXP	57	Screw flange	7.62	600	41	EC762HLNM-XXP	63	Screw flange
7.62	300	15	3ESDP-XXP	57		8.80	600	65	EC880HV-XXP	64	
7.62	300	15	3ESDPL-XXP	57		8.80	600	65	EC880HVT-XXP	64	Snap-in locking
7.62	300	15	3ESDPLM-XXP	57	Screw flange	10.16	600	51	EC116V-XXP	65	
7.62	300	15	3ESDPM-XXP	57	Screw flange	10.16	600	51	EC116VM-XXP	65	Screw flange
7.62	300	15	3ESDV-XXP	57		15.00	600	115	EC150VM-XXP	66	Screw flange
7.62	300	15	3ESDVM-XXP	57	Screw flange						
7.62	300	30	EC762V-XXP	63							
7.62	600	15	3ESNP-XXP	61							
7.62	600	15	3ESNPL-XXP	61							
7.62	600	15	3ESNPLM-XXP	61	Screw flange						



PID (Push-In Design) PCB Terminal Blocks

Pitch (mm)	Voltage (V)	Current (A)	Part number	Page	Remarks	Pitch (mm)	Voltage (V)	Current (A)	Part number	Page	Remarks
2.50	150	2	0136-11XX	101		5.00	300	20	0153-01XX	105	
2.50	150	5	0188-01XXL	100	THR	5.00	300	20	0153-02XX	105	
2.50	150	5	0188-01XXSMDWR	100	THR	5.00	300	20	0153-91XX	105	
2.50	150	5	0188-02XXL	100	THR	5.00	300	20	0177-51XX	108	
2.50	150	5	0188-02XXSMDWR	100	THR	5.00	300	20	0177-53XX	108	
2.50	300	2	0136-10XX	101		5.00	300	20	0275-21XX	11	
2.54	150	5	0138-10XX	101		5.00	300	20	0276-21XX	11	
2.54	150	5	0138-11XX	101		5.00	300	20	0290-21XX	11	
2.54	150	5	141R-XXP	101		5.08	300	10	0141-21XX	106	
2.54	150	5	141V-XXP	101		5.08	300	10	0141-24XX	106	
3.50	300	5	0137-40XX	102		5.08	300	10	142R-XXP	105	
3.50	300	5	0137-41XX	102		5.08	300	10	142V-XXP	105	
3.50	300	5	0137-41XXM	103		5.08	300	12	0138-60XX	106	THR
3.50	300	6	0136-20XX	102		5.08	300	12	0138-60XXL	106	
3.50	300	6	0136-21XX	102		5.08	300	12	0138-61XX	106	
3.50	300	6	0136-22XX	102		5.08	300	12	0138-61XXL	106	THR
3.50	300	6	0136-23XX	102		6.35	600	25	0177-76XX	108	
3.50	300	9	0151-01XX	103		6.35	600	25	0177-78XX	108	
3.50	300	9	0151-01XXL	103	THR	7.50	300	10	0152-53XX	106	
3.50	300	9	0151-02XX	103		7.50	300	32	0275-31XX	12	
3.50	300	9	0151-02XXL	103	THR	7.50	300	32	0290-31XX	12	
3.50	300	10	0177-31XX	107		7.50	600	32	0275-32XX	12	
3.50	300	10	0177-33XX	107		7.50	600	32	0290-32XX	12	
3.50	300	10	0185-12XX	103		7.50	300	36	0177-81XX	107	
3.50	300	10	0185-13XX	103		7.50	300	36	0177-83XX	107	
3.50	300	10	0275-11XX	11		7.50	600	36	0177-86XX	107	
3.50	300	10	0275-11XXY5	11		7.50	600	36	0177-88XX	107	
3.50	300	10	0290-11XX	11		10.00	300	66	0290-41XXYB	13	
3.50	300	12	0138-50XX	102		10.00	300	66	0290-42XXYD	13	
3.50	300	12	0138-50XXL	102	THR	10.00	300	66	0177-03XX	108	
3.50	300	12	0138-50XXSMDWR	101		10.00	600	20	0153-41XX	106	
3.50	300	12	0138-51XX	102		10.00	600	66	0177-06XX	108	
3.50	300	12	0138-51XXL	102	THR	10.00	600	66	0177-08XX	108	
3.81	300	10	0141-01XX	104		15.00	600	101	0177-B3XX	108	
3.81	300	10	0141-22XX	104		15.00	600	101	0290-51XX	13	
3.81	300	12	0138-42XXL20	103		15.00	600	101	0290-51XXM	13	
5.00	300	10	0137-11XX	104		15.00	1000	72	0290-42XXP3YD	13	
5.00	300	10	0138-70XX	105							
5.00	300	10	0138-76XX	105							
5.00	300	10	0152-01XX	104							
5.00	300	10	0152-02XX	104							
5.00	300	10	0152-03XX	104							
5.00	300	10	0185-31XX	105							
5.00	300	10	0185-32XX	105							
5.00	300	10	0188-12XXSMDWR	104							

Feed Through Headers

Pitch (mm)	Voltage (V)	Current (A)	Part number	Page	Remarks	Pitch (mm)	Voltage (V)	Current (A)	Part number	Page	Remarks
3.81	300	8	ECHP381V-XXP	81	Solder/Slip-on connection	5.00	300	15	5EHDKM-XXP/1.6	82	Threaded flange
5.00	300	15	5EHDK-XXP/1.0	81	Snap-in locking	5.00	300	15	5EHDKPM-XXP	82	Threaded flange
5.00	300	15	5EHDK-XXP/1.2	82	Snap-in locking	5.08	300	15	2EHDP-XXP	81	Solder/Slip-on connection
5.00	300	15	5EHDK-XXP/1.4	82	Snap-in locking	5.08	300	15	2EHDPN-XXP	82	Solder/Slip-on connection
5.00	300	15	5EHDK-XXP/1.6	82	Snap-in locking	7.62	300	30	ECHP762V-XXP	82	Solder/Slip-on connection
5.00	300	15	5EHDKM-XXP/1.0	81	Threaded flange						
5.00	300	15	5EHDKM-XXP/1.2	82	Threaded flange						
5.00	300	15	5EHDKM-XXP/1.4	82	Threaded flange						

Table of Contents



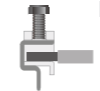
Spring Clamp Connection PCB Terminal Blocks

Pitch (mm)	Voltage (V)	Current (A)	Part number	Page	Remarks	Pitch (mm)	Voltage (V)	Current (A)	Part number	Page	Remarks
2.50	300	4	WKA250A-XXP	119		5.00	300	15	WKA500-XXPL	119	THR
2.50	300	4	WKV250A-XXP	120		5.00	300	15	WSKA500S-XXP	119	
2.54	300	4	WKA254A-XXP	120		5.08	300	10	W3K508-XXP	120	
2.54	300	4	WKV254A-XXP	120		5.08	300	10	W4K508-XXP	120	
5.00	300	10	W3K500-XXP	120		5.08	300	10	WKK508-XXP	120	
5.00	300	10	W4K500-XXP	120		5.08	300	15	WKA508-XXP	119	
5.00	300	10	WKA50B-XXP	119		7.50	300	30	WSKA750S-XXP	120	
5.00	300	10	WKK500-XXP	120		10.00	300	57	WSKA100-XXP	120	
5.00	300	15	WKA500-XXP	119							



Screw Connection PCB Terminal Blocks

Pitch (mm)	Voltage (V)	Current (A)	Part number	Page	Remarks	Pitch (mm)	Voltage (V)	Current (A)	Part number	Page	Remarks
2.54	150	10	EK254V-XXP	109		5.08	300	13.5	E2LK508V-XXP	112	
3.50	300	10	EK350A-XXP	110		5.08	300	13.5	EELK508V-XXP	111	Double decked
3.50	300	10	EK350V-XXP	109		5.08	300	13.5	ELK508S-XXP	112	
3.50	300	10	EK350V4L-XXP	110	Double decked	5.08	300	13.5	ELK508V-XXP	111	
3.81	300	12	E3K381V-XXP	110	High profile	5.08	300	13.5	ELK508V3L-XXP	111	
3.81	300	12	EEK381V-XXP	110		5.08	300	20	E3K508V-XXP	114	High profile
3.81	300	12	EHK381V-XXP	110		5.08	300	20	EEK508V-XXP	114	High profile
3.81	300	12	EK381A-XXP	110		5.08	300	20	EK508A-XXP	112	
3.81	300	12	EK381V-XXP	109		5.08	300	20	EK508R-XXP	112	
3.81	300	12	EK381V3L-XXP	109	Triple decked	5.08	300	20	EK508V-XXP	112	
3.81	300	12	EK381V4L-XXP	109	Double decked	5.08	300	20	EK508V2L-XXP	113	Double decked
3.81	300	15	EESK381V-XXP	110	High profile	5.08	300	20	EK508V3L-XXP	113	Triple decked
3.81	300	15	ESK381R-XXP	110		5.08	300	20	EK508V4L-XXP	113	Double decked
3.81	300	15	ESK381V-XXP	109		5.08	300	20	ESK508V3L-XXP	113	Triple decked
3.81	300	15	ESK381V4L-XXP	110		5.08	300	20	ESK508V4L-XXP	113	Double decked
5.00	300	13.5	ELK500B-XXP	110	Low profile	5.08	300	23	ESK508V-XXP	114	
5.00	300	13.5	ELK500S-XXP	110	Low profile	5.08	300	25	E2HK508V-XXPAM	114	High profile
5.00	300	13.5	ELK500V-XXP	110	Low profile	5.08	300	25	EEHK2V-XXP	113	Double decked
5.00	300	20	E2HK500V-XXPAM	112	High profile	5.08	300	25	EHK2V-XXP	113	
5.00	300	20	E3K500V-XXP	111	High profile	5.08	300	25	EHK508V2L-XXP	114	Double decked
5.00	300	20	EEK500V-XXP	111		5.08	300	25	EHK508V3L-XXP	114	Triple decked
5.00	300	20	EHK5V3L-XXP	111		6.35	300	30	DT-2300-XXP	117	
5.00	300	20	EK500A-XXP	111		6.35	300	30	DT-2301-XXP	117	
5.00	300	20	EK500R-XXP	111		6.35	300	30	EKB635V-XXP	114	Double decked
5.00	300	20	EK500V-XXP	111		6.35	300	30	ESK635V-XXP	114	
5.00	300	20	EK500V2L-XXP	112	Double decked	6.35	600	35	EPK635VN-XXP	113	
5.00	300	20	EK500V3L-XXP	112	Triple decked	7.50	300	20	EK750V-XXP	114	
5.00	300	20	EK500V4L-XXP	112		7.50	300	25	EHK7V-XXP	113	
5.00	300	20 / 26	DT-123RA-XXP	117		7.50	300	20 / 26	DT-123RA-XXP3	117	
5.00	300	20 / 26	DT-123VA-XXP	117		7.50	300	20 / 26	DT-123VA-XXP3	117	
5.00	300	25	EHK500R-XXP	112		7.50	300	30	ESK750V-XXP	114	
5.00	300	25	EHK5V-XXP	112		7.50	600	20	DT-123HVR-XXP	118	



Screw Connection PCB Terminal Blocks

Pitch (mm)	Voltage (V)	Current (A)	Part number	Page	Remarks	Pitch (mm)	Voltage (V)	Current (A)	Part number	Page	Remarks
7.62	300	25	EHK3V-XXP	115		10.16	300	65	ESKW116V-XXP	116	
7.62	300	30	DT-2320-XXP	118		10.16	300 / 600	65 / 5	ESK116R-XXPAM	116	
7.62	300	30	DT-2321-XXP	118		10.16	300 / 600	65 / 5	ESK116V-XXP	116	
7.62	300	30	EKB762V-XXP	116		10.16	600	57(sol) / 65(str)	EPK116VS-XXP	115	
7.62	300	30	ESK762V-XXP	116		10.16	600	57(sol) / 65(str)	EPK116VN-XXP	115	
9.52	300	30	EK950V-XXP	115		15.00	600	115	ESK150V-XXP	115	
9.52	600	30	EK950HVN-XXP	115		15.00	600	115	ESK150VM-XXP	115	
10.00	300	65	PDS-10-XX	118		17.50	600	160	ESK175V-XXP	116	
10.00	300		PDS-10A-XX	118		17.50	600	160	ESK175VM-XXP	116	
10.00	300	65	PDS-10S-XX	118		20.00	600	200	ESK200VM-XXP	116	



PCB Terminal Blocks for I/O Enclosures

Pitch (mm)	Voltage (V)	Current (A)	Part number	Page	Remarks	Pitch (mm)	Voltage (V)	Current (A)	Part number	Page	Remarks
3.81	150	8	BST-111-05	127		5.00	300	20	0189-213PL	129	
3.81	150	8	BST-112-05	127		5.00	300	20	0189-213PR	130	
3.81	150	8	BST-120-05	127		5.00	300	20	0189-214PL	129	
3.81	150	8	BST-220-05	127		5.00	300	20	0189-214PR	130	
5.00	300	10	5ES-2PL	129		5.08	300	8	0228-21XX	128	
5.00	300	10	5ES-2PR	130		5.08	300	8	0228-22XX	128	
5.00	300	10	5ES-3PL	129		5.08	300	8	0228-23XX	128	
5.00	300	10	5ES-3PR	130		7.50	300	20	7ES-3PL	131	
5.00	300	10	5ES-4PL	129		7.50	300	20	7ES-3PR	131	
5.00	300	10	5ES-4PR	130		9.00	300	8	0171-10XX	128	Light pipe
5.00	300	15	5EH-2PL	129		9.00	300	8	0171-11XX	128	Light pipe
5.00	300	15	5EH-2PLL	129	THR	9.00	300	8	0171-60XX	128	
5.00	300	15	5EH-2PR	130		12.50	300	15	0171-20XX	128	Light pipe
5.00	300	15	5EH-2PRL	130	THR	12.50	300	15	0171-21XX	128	Light pipe
5.00	300	15	5EH-3PL	129							
5.00	300	15	5EH-3PLL	129	THR						
5.00	300	15	5EH-3PR	130							
5.00	300	15	5EH-3PRL	130	THR						
5.00	300	15	5EH-4PL	129							
5.00	300	15	5EH-4PLL	129	THR						
5.00	300	15	5EH-4PR	130							
5.00	300	15	5EH-4PRL	130	THR						
5.00	300	20	0189-202PL	129							
5.00	300	20	0189-202PR	130							
5.00	300	20	0189-203PL	129							
5.00	300	20	0189-203PR	130							
5.00	300	20	0189-204PL	129							
5.00	300	20	0189-204PR	130							
5.00	300	20	0189-212PL	129							
5.00	300	20	0189-212PR	130							

Table of Contents

DEG/DMEN Electronic Housing & DMER Component Housing

Pitch (mm)	Voltage (V)	Current (A)	Part number	Page	Remarks	Pitch (mm)	Voltage (V)	Current (A)	Part number	Page	Remarks
	250	12	DEGM-12P	133			300	20	DMER-41	135	
	250	15	DMUG-22	134			500	10	DEG-02P	133	
	250	15	DMUG-45	134			500	10	DEG-04P	133	
	250	12	DMEN-S2P	134			500	10	DEGH-03P	134	
	250	12	DMEN-S3P	134			500	10	DEGH-06P	134	
	250	12	DMEN-S4P	134					DMM-2251-22	132	
	250	12	DMEN-T2P	134					DMM-2252-22	132	
	250	12	DMEN-T3P	134					DMM-2251-33	132	
	250	12	DMEN-T4P	134					DMM-2252-33	132	
	250	12	DMES-T2P	134					DMM-2254-33	132	
	300	12	DEGM-03P	133					DMER-10	135	
	300	12	DEGM-06P	133							

PCB Carrier Din Rail/ Panel Mounting

Pitch (mm)	Voltage (V)	Current (A)	Part number	Page	Remarks	Pitch (mm)	Voltage (V)	Current (A)	Part number	Page	Remarks
			0040-0301E	137					0040-0322E	137	
			0040-0302E	137					0040-0324E	37	
			0040-0303E	137					0040-0326E	137	
			0040-0305E	137			250	10	RYPSA-04N	138	
			0040-0308E	137			250	10	RYPSM-05F	138	
			0040-0311E	137			250	10	RYPS-05N	138	
			0040-0314E	137			250	10	RYPS-08N	138	
			0040-0316E	137					KMRT-XXXX	138	
			0040-0318E	137					KMRF-XXXX	138	
			0040-0320E	137					KMRH-K175	138	

Panel Feed-through Terminal Blocks

Pitch (mm)	Voltage (V)	Current (A)	Part number	Page	Remarks	Pitch (mm)	Voltage (V)	Current (A)	Part number	Page	Remarks
8.10	300	30	PPACN-4	139		12.10	600	85	PPAC-16	140	
8.10	300	30	PPACNV-4	139		12.10	600	85	PPACV-16	140	
10.00	300	30	PPAC-4SS	141		12.10	600	85	PPAC-16AS	140	
10.00	300		PPAC-4SSG	141	Grounding	12.10	600	85	PPACV-16AS	140	
10.00	300	65	PPAC-10SS	141		15.10	300	115	PPAC-25	140	
10.00	300		PPAC-10SSG	141		15.10	300	115	PPAC-25AS	140	
10.10	300	65	PPACN-10	139		15.10	300	85	PPAC-25SS	142	
10.10	300	65	PPACN-10AS	139		18.80	600	150	PPAC-50	140	
10.10	300	65	PPACN-10Z	139		18.80	300/600	150/5	PPAC-50AS	140	
12.10	300	85	PPAC-16SS	141		25.00	600	230	PPAC-95	141	
12.10	300		PPAC-16SSG	141		25.00	600	230	PPAC-95MAS	141	

Barrier Type Terminal Blocks

Pitch (mm)	Voltage (V)	Current (A)	Part number	Page	Remarks	Pitch (mm)	Voltage (V)	Current (A)	Part number	Page	Remarks
7.62	300	10	0186-10XX	147		11.00	600	40	DT-66-B02W-XX	149	
7.62	300	15	DT-25-A02W-XX	145		13.00	600	40	DT-7C-A02W-XX	150	
7.62	300	15	DT-25-B01W-XX	145		13.00	600	40	DT-7C-B01W-XX	150	
7.62	300	15	DT-25-B07W-XX	146		13.00	600	40	DT-7C-B18W-XX	150	
7.62	300	15	DT-25-B14W-XX	146		16.00	600	50	0032-11XX	151	
7.62	300	15	DT-2G-A02W-XX	145		16.00	600	65	0166-80XX	151	
7.62	300	15	DT-2G-B01W-XX	145		16.00	600	65	0166-80XXC	151	
7.62	300	15	DT-2G-B14W-XX	146		Triple Barrier, Single Row					
8.25	300	20	DT-31-B01W-XX	146		6.35	300	15	DT-29-B01W-XX	152	
8.25	300	20	DT-35-A02W-XX	146		6.35	300	15	DT-29-B02W-XX	152	
8.25	300	20	DT-35-B01W-XX	146		7.62	300	6	0032-09XX	152	
8.89	300	15	DT-3C-B01W-XX	148		7.62	300	10	0032-14XX	153	
8.89	300	15	DT-89-B01W-XX	148		7.90	300	30	0167-10XX	154	
9.50	300	25	DT-45-A02W-XX	147		8.25	300	20	DT-39-B01W-XX	153	
9.50	300	25	DT-45-B01W-XX	147		8.25	300	20	DT-39-B02W-XX	153	
9.50	300	20	DT-4C-B01W-XX	147		8.80	600	20	0167-90XX	154	
9.50	300	20	DT-4C-B14W-XX	147		9.50	300	25	DT-49-B01W-XX	153	
10.00	300	20	DT-5C-B01W-XX	149		9.50	300	25	DT-49-B02W-XX	153	
10.00	300	20	DT-5C-B81W-XX	148		9.50	300	25	DT-49-C91W-XX	154	
10.00	300	20	DT-5C-B84W-XX	148		10.00	300	45	0186-40XX	154	
10.00	300	25	DT-55-B01W-XX	148		11.00	300	30	DT-69-B01W-XX	154	
10.00	300	25	DT-55-B14W-XX	148		11.00	300	30 / 50	0167-52XX	155	
11.00	300	40	DT-66-B01W-XX	149		11.00	600	20 / 45	DT-69-H53W-XX	155	
11.00	300	40	DT-66-B11W-XX	150		11.00	600	30 / 50	0167-50XX	155	
11.00	300	40	DT-66-C01W-XX	149		12.70	600	43(sol)/45(str)	DT-79-B01W-XX	156	
11.00	300	40	DT-66-C11W-XX	150		13.00	300	65	0167-80XX	156	
11.00	300	25	DT-65-A02W-XX	150		13.00	300	65	0167-80XXC	156	
11.00	300	25	DT-65-B01W-XX	150		13.00	600	20	0167-70XX	156	
11.00	300	25	DT-65-B14W-XX	150							

PCB Carrier Din Rail / Panel Mounting

Pitch (mm)	Voltage (V)	Current (A)	Part number	Page	Remarks	Pitch (mm)	Voltage (V)	Current (A)	Part number	Page	Remarks
			0040-0101E	136					0040-0217E	136	
			0040-0102E	136					0040-0218E	136	
			0040-0103E	136					0040-0219E	136	
			0040-0104E	136					0040-0220E	136	
			0040-0105E	136					0040-0221E	136	
			0040-0106E	136					0040-0222E	136	
			0040-0107E	136					0040-0223E	136	
			0040-0108E	136					0040-0224E	136	
			0040-0212E	136					0040-0225E	136	
			0040-0213E	136					0040-0226E	136	
			0040-0214E	136					0040-0227E	136	
			0040-0215E	136					0040-0228E	136	
			0040-0216E	136					0040-0229E	136	

Table of Contents

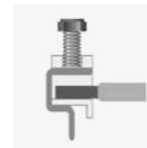
Barrier Type Terminal Blocks

Pitch (mm)	Voltage (V)	Current (A)	Part number	Page	Remarks	Pitch (mm)	Voltage (V)	Current (A)	Part number	Page	Remarks
Test Terminal Blocks											
11.58	300	60	0113-22XX	143							
Triple Barrier, Bi-Level											
7.62	300	10	0032-15XX	157		9.52	300	20	4DC-B01W-XX	157	
7.62	300	15	2DC-B01W-XX	158		9.70	300	15	0032-45XX	158	
7.62	300	15	2DD-B01W-XX	158		14.30	600	35	0113-10XX	158	
7.62	300	20	0032-23XX	158							
Barrier Type Panel Feed Through Terminal Blocks											
8.50	300	20	0168-10XX	160		21.00	600	130	0168-51XX	161	
8.50	300	20	0168-14XX	160		21.00	600	130	0168-54XX	162	
8.50	300	20	0168-15XX	160		27.00	600	175	0168-62XX	163	
11.00	300	30	0168-20XX	161		27.00	600	175	0168-63XX	163	
11.00	300	30	0168-24XX	161		27.00	600	175	0168-65XX	163	
13.00	600	50	0168-32XX	162							
13.00	600	50	0168-35XX	162							
16.00	600	115	0168-40XX	161							
16.00	600	115	0168-42XX	162							
16.00	600	115	0168-43XX	162							
16.00	600	115	0168-45XX	162							
21.00	600	130	0168-50XX	161							
Quick Terminals / Tabs											
3.40		20	P-620	166		9.50		25	DS-401	165	
5.00		30	P-850	165		10.80		85	P-830	166	
5.00		30	P-851	165		10.80		85	P-831	166	
5.08		30	P-610	166		11.00		25	DS-601	165	
5.08		30	P-860	165		13.00		40	DS-701	165	
5.08		30	P-861	165		13.00		40	DS-701R	165	
5.08		30	P-871	165		15.40		150	P-840	166	
5.08		30	P-872	165					S000001100-F	166	
7.00		50	P-820	166					S000001200-F	166	
7.50		80	P-810	166					S000004700-F	166	
7.62		15	DS-201	165					S000008400-F	166	
8.25		20	DS-301	165							

Accessories

Pitch (mm)	Voltage (V)	Current (A)	Part number	Page	Remarks	Pitch (mm)	Voltage (V)	Current (A)	Part number	Page	Remarks
			0159K1L	22	Key coding				ECHK1L	66	Key coding, THR
			0225K1	24	Key coding				ECHK2	66	Key coding
			0225K2L	24	Key coding				EHDK1	66	Key coding
			0225K3	24	Key coding				EHDK1L	66	Key coding, THR
			0225K4L	24	Key coding				ESDK1	66	Key coding
			0227K1	27	Key coding				ESDK2	66	Key coding
			0227K2L	28	Key coding				SDH-002	38	Wire entry tool
			CSC-01XX	66	Jumper				SDH-003	38	Wire entry tool
			ECHK1	66	Key coding						

Connection methods



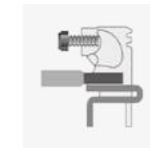
Screw connection



Spring clamp connection



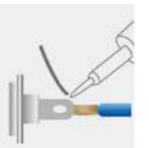
Push-in design



Front screw connection

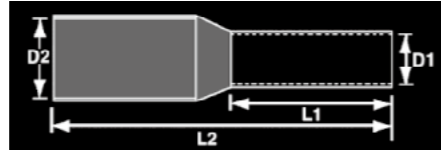


Wire protector type



Iron soldering

Wire Ferrules



Unit:mm

Part No.	Wire Range		Dimension Unit: mm		Dimension Unit: mm		DIN Color	Package		Tools																																																																																																																																																																																																																																																					
	AWG	mm ²	D1	D2	L1	L2		pcs/bag	bags/box																																																																																																																																																																																																																																																						
DN00206D	24	0.2	0.75	1.9	6	10	Light Blue	1000	10	Note: The wire diameter of the table is determined according to UL486E, IEC998-1 and IEC947-7. Please refer to the table to select suitable ferrules. All recommended ferrules in this catalogue are in accordance with this table.																																																																																																																																																																																																																																																					
DN00208D					8	12					DN00306D	22	0.34	0.8	1.9	6	10	Turquoise	10	DN00308D	8	12	DN00506D	20	0.5	1	2.6	6	12	White	500	DN00508D	8	14	DN00510D	10	16	DN00706D	18/20	0.75	1.2	2.8	6	12	Grey	500	8	DN00708D	8	14	DN00710D	10	16	DN00712D	12	18	DN01006D	18	1	1.4	3	6	12	Red	500	6	DN01008D	8	14	DN01010D	10	16	DN01012D	12	18	DN01508D	16	1.5	1.7	3.5	8	14	Black	500	4	DN01510D	10	16	DN01512D	12	18	DN01518D	18	24	DN02508D	14	2.5	2.2	4.2	8	14	Blue	500	3	DN02510D	10	16	DN02512D	12	18	DN02518D	18	24	DN04010D	12	4	2.8	4.8	10	17	Grey	500	2	DN04012D	12	20	DN04018D	18	26	DN06012D	10	6	3.5	6.3	12	20	Yellow	500	1	DN06018D	18	26	DN10012D	8	10	4.5	7.6	12	22	Red	200	1	DN10018D	18	28	DN16012D	6	16	5.8	8.8	12	22	Blue	DN16018D	18	28	DN25016D	4	25	7.3	11.2	16	30	Yellow	DN25018D	18	30	DN25022D	22	36	DN35016D	2	35	8.3	12.7	16	30	Red	100	1	DN35018D	18	32	DN35025D	25	39	DN50020D	1	50	10.3	15	20	36	Blue	50	1	DN50025D	25	40	DN70021D	2/0	70	13.5	16	21	37	Yellow	50	1	DN95025D	3/0	95	14.7	18	25	44	Red	DN96027D	4/0	120	16.7	20	27	48	Blue	DN97032D	250kcmil	150	19.5	23	32	58	Yellow	20											
DN00306D	22	0.34	0.8	1.9	6	10	Turquoise	10																																																																																																																																																																																																																																																							
DN00308D					8	12			DN00506D		20	0.5	1	2.6	6	12	White	500	DN00508D	8	14	DN00510D	10					16	DN00706D			18/20	0.75	1.2	2.8	6	12	Grey					500	8				DN00708D	8	14	DN00710D	10	16	DN00712D	12	18	DN01006D					18	1				1.4	3	6	12	Red	500	6	DN01008D	8	14					DN01010D	10				16	DN01012D	12	18	DN01508D	16	1.5	1.7	3.5	8					14	Black				500	4	DN01510D	10	16	DN01512D	12	18	DN01518D	18					24	DN02508D				14	2.5	2.2	4.2	8	14	Blue	500	3	DN02510D	10	16	DN02512D	12	18	DN02518D	18	24	DN04010D	12					4	2.8				4.8	10	17	Grey					500	2		DN04012D	12	20	DN04018D					18	26		DN06012D	10	6	3.5	6.3	12	20					Yellow	500				1	DN06018D	18	26	DN10012D	8	10	4.5	7.6	12	22	Red	200	1	DN10018D	18	28	DN16012D	6	16	5.8	8.8	12	22	Blue	DN16018D	18			28	DN25016D	4	25	7.3	11.2	16	30	Yellow	DN25018D	18	30	DN25022D	22	36	DN35016D	2	35	8.3	12.7	16	30	Red	100	1	DN35018D	18	32	DN35025D	25	39	DN50020D	1	50	10.3	15
DN00506D	20	0.5	1	2.6	6	12	White	500																																																																																																																																																																																																																																																							
DN00508D					8	14																																																																																																																																																																																																																																																									
DN00510D					10	16																																																																																																																																																																																																																																																									
DN00706D	18/20	0.75	1.2	2.8	6	12	Grey	500	8																																																																																																																																																																																																																																																						
DN00708D					8	14																																																																																																																																																																																																																																																									
DN00710D					10	16																																																																																																																																																																																																																																																									
DN00712D					12	18																																																																																																																																																																																																																																																									
DN01006D	18	1	1.4	3	6	12	Red	500	6																																																																																																																																																																																																																																																						
DN01008D					8	14																																																																																																																																																																																																																																																									
DN01010D					10	16																																																																																																																																																																																																																																																									
DN01012D					12	18																																																																																																																																																																																																																																																									
DN01508D	16	1.5	1.7	3.5	8	14	Black	500	4																																																																																																																																																																																																																																																						
DN01510D					10	16																																																																																																																																																																																																																																																									
DN01512D					12	18																																																																																																																																																																																																																																																									
DN01518D					18	24																																																																																																																																																																																																																																																									
DN02508D	14	2.5	2.2	4.2	8	14	Blue	500	3																																																																																																																																																																																																																																																						
DN02510D					10	16																																																																																																																																																																																																																																																									
DN02512D					12	18																																																																																																																																																																																																																																																									
DN02518D					18	24																																																																																																																																																																																																																																																									
DN04010D	12	4	2.8	4.8	10	17	Grey	500	2																																																																																																																																																																																																																																																						
DN04012D					12	20																																																																																																																																																																																																																																																									
DN04018D					18	26																																																																																																																																																																																																																																																									
DN06012D	10	6	3.5	6.3	12	20	Yellow	500	1																																																																																																																																																																																																																																																						
DN06018D					18	26																																																																																																																																																																																																																																																									
DN10012D	8	10	4.5	7.6	12	22	Red	200	1																																																																																																																																																																																																																																																						
DN10018D					18	28																																																																																																																																																																																																																																																									
DN16012D					6	16				5.8	8.8	12	22	Blue																																																																																																																																																																																																																																																	
DN16018D	18	28																																																																																																																																																																																																																																																													
DN25016D	4	25	7.3	11.2			16	30	Yellow																																																																																																																																																																																																																																																						
DN25018D					18	30																																																																																																																																																																																																																																																									
DN25022D					22	36																																																																																																																																																																																																																																																									
DN35016D	2	35	8.3	12.7	16	30	Red	100	1																																																																																																																																																																																																																																																						
DN35018D					18	32																																																																																																																																																																																																																																																									
DN35025D					25	39																																																																																																																																																																																																																																																									
DN50020D	1	50	10.3	15	20	36	Blue	50	1																																																																																																																																																																																																																																																						
DN50025D					25	40																																																																																																																																																																																																																																																									
DN70021D	2/0	70	13.5	16	21	37	Yellow	50	1																																																																																																																																																																																																																																																						
DN95025D	3/0	95	14.7	18	25	44	Red																																																																																																																																																																																																																																																								
DN96027D	4/0	120	16.7	20	27	48	Blue																																																																																																																																																																																																																																																								
DN97032D	250kcmil	150	19.5	23	32	58	Yellow			20																																																																																																																																																																																																																																																					



DNT13-0102
28-7 AWG
0.08-10 mm²

Wire Ferrules

PID connection PCB connectors



Wire range	Terminal blocks	Page	Strip length	Applicable Ferrules				Wire range	Terminal blocks	Page	Strip length	Applicable Ferrules			
AWG			mm	Ferrule P/N	AWG	mm ²	L1	AWG			mm	Ferrule P/N	AWG	mm ²	L1
30~20	0156-1AXX-BK	17	8	DN00308D	22	0.34	8	28~16	0225-01XX	23	9	DN01010D	/	1	10
	0156-1BXX-BK	16	8	DN00208D	24	0.25	8		0225-02XX	23	9	DN00710D	18	0.75	10
	0156-1CXX-BK	17	8						0225-03XX	24	9	DN00510D	20	0.5	10
	0156-1DXX-BK	17	8						0225-06XX	24	9	DN00308D	22	0.34	8
30~12	0189-25XX	130	11~12	DN02512D	14	2.5	12	28~16	0225-07XX	24	9	DN00208D	24	0.25	8
				DN01512D	16	1.5	12		0225-08XX	24	9				
				DN01012D	18	1	12		0225-04XX	29	9	DN01008D	/	1	8
				DN00712D	18/20	0.75	12		0225-05XX	29	9	DN00708D	18	0.75	8
				DN00510D	20	0.5	10		0225-09XX	29	9	DN00508D	20	0.5	8
28~20	ESC250L-XXP	41	9	DN00308D	22	0.34	8	28~16	0225-0AXX	30	9	DN00308D	22	0.34	8
	ESC250V-XXP	41	9	DN00208D	24	0.25	8		DN00208D	24	0.25	8			
28~16	0156-2AXX-BK	19	8	DN01010D	/	1	10	28~16	0256-11XX	3	10	DN00710D	18	0.75	10
	0156-2BXX-BK	19	8	DN00710D	18	0.75	10		0256-12XX	3	10	DN00510D	20	0.5	10
	0156-2CXX-BK	19	8	DN00508D	20	0.5	8		0256-13XX	3	10	DN00308D	22	0.34	8
	0156-2DXX-BK	19	8	DN00308D	22	0.34	8		0256-14XX	4	10	DN00208D	24	0.25	8
28~16	0191-01XX	89	9	DN00710D	18	0.75	10	28~16	0256-21XX	3	10				
	0191-01XXC	89	9	DN00510D	20	0.5	10		0256-22XX	3	10				
	0191-02XX	89	9	DN00308D	22	0.34	8		0256-23XX	3	10				
	0191-02XXC	89	9	DN00208D	24	0.25	8		0256-24XX	4	10				
28~16	0218-21XX	4	9~10	DN00710D	18	0.75	10	28~16	0256-31XX	3	10				
	0218-21XXM0256-11	96	9~10	DN00510D	20	0.5	10		0256-32XX	3	10				
	0218-21XXM0256-21	96	9~10	DN00308D	22	0.34	8		0256-33XX	3	10				
	0218-21XXM0256-31	96	9~10	DN00208D	24	0.25	8		0256-34XX	4	10				
	0218-23XX	4	9~10						0256-61XX	5	10				
	0218-23XXM0256-13	96	9~10						0256-62XX	5	10				
	0218-23XXM0256-23	96	9~10						0256-63XX	5	10				
	0218-23XXM0256-33	96	9~10						0256-64XX	6	10				
	0218-25XX	4	9~10						0256-71XX	5	10	DN00710D	18	0.75	10
	0218-25XXM0256-11	96	9~10						0256-72XX	5	10	DN00510D	20	0.5	10
	0218-25XXM0256-21	96	9~10						0256-73XX	5	10	DN00308D	22	0.34	8
	0218-25XXM0256-31	96	9~10						0256-74XX	6	10	DN00208D	24	0.25	8
	0218-27XX	4	9~10						0256-81XX	5	10				
	0218-27XXM0256-13	96	9~10						0256-82XX	5	10				
	0218-27XXM0256-23	96	9~10						0256-83XX	5	10				
0218-27XXM0256-33	96	9~10					0256-84XX	6	10						
0218-2GXX	4	9~10					28~16	ESC350V-XXP	42	10~11	DN00710D	18	0.75	10	
0218-2GXXM0256-13	95	9~10				ESC350VK-XXP		42	10~11	DN00508D	20	0.5	8		
0218-2GXXM0256-33	95	9~10				ESC350VM-XXP		42	10~11	DN00308D	22	0.34	8		
28~16	ESC381V-XXP	42	10~11	DN01010D	/	1	10	28~16	ESC381VK-XXP	42	10~11	DN00208D	24	0.25	8
												DN01010D	/	1	10
												DN00710D	18	0.75	10
28~16	ESC381VM-XXP	42	10~11	DN00508D	20	0.5	8	28~16	ESC381VM-XXP	42	10~11	DN00308D	22	0.34	8
												DN00508D	20	0.5	8
												DN00308D	22	0.34	8
				DN00208D	24	0.25	8								

Wire Ferrules

PID connection PCB connectors



Wire range	Terminal blocks	Page	Strip length	Applicable Ferrules				Wire range	Terminal blocks	Page	Strip length	Applicable Ferrules				
AWG			mm	Ferrule P/N	AWG	mm ²	L1	AWG			mm	Ferrule P/N	AWG	mm ²	L1	
28~16	ESC508V-XXP	44	10~11	DN01010D	/	1	10	26~12	0161-01XX	93	13	DN02512D	14	2.5	12	
	ESC508VM-XXP	44	10~11	DN00708D	18	0.75	8		0161-02XX	93	13	DN01510D	16	1.5	10	
				DN00508D	20	0.5	8		0161-03XX	93	13	DN01010D	/	1	10	
				DN00308D	22	0.34	8		0161-04XX	93	13	DN00710D	18	0.75	10	
				DN00208D	24	0.25	8					DN00510D	20	0.5	10	
28~14	0229-A5XXY	98	9	DN01508D	16	1.5	8	26~12	0227-01XX	27	12~13	DN02512D	14	2.5	12	
	0229-A9XXY	98	9	DN01008D	/	1	8		0227-02XX	27	12~13	DN01510D	16	1.5	10	
	0229-F4XX	98	9	DN00708D	18	0.75	8		0227-03XX	27	12~13	DN01010D	/	1	10	
	0229-F5XX	98	9	DN00508D	20	0.5	8		0227-04XX	27	12~13	DN00710D	18	0.75	10	
	0229-F5XXY	98	9	DN00308D	22	0.34	8		0227-06XX	28	12~13	DN00510D	20	0.5	10	
	0229-F9XX	98	9	DN00208D	24	0.25	8		0227-07XX	28	12~13	DN00308D	22	0.34	8	
	0229-F9XXY	98	9						0227-08XX	28	12~13	DN00208D	24	0.25	8	
	0229-FAXX	98	9						0227-09XX	28	12~13					
	0229-M5XXY	98	9						0257-11XX	7	10~12	DN02512D	14	2.5	12	
	0229-M9XXY	98	9						0257-12XX	7	10~12	DN01512D	16	1.5	12	
28~12	0234-20XX-MW	40	10	DN01510D	16	1.5	10	26~12	0257-14XX	7	10~12	DN01012D	/	1	12	
	0234-30XX-MW	40	10	DN01010D	/	1	10		0257-21XX	7	10~12	DN00712D	18	0.75	12	
				DN00710D	18	0.75	10		0257-22XX	7	10~12	DN00508D	20	0.5	10	
				DN00510D	20	0.5	10		0257-24XX	7	10~12	DN00308D	22	0.34	8	
				DN00308D	22	0.34	8		0257-31XX	7	10~12	DN00208D	24	0.25	8	
				DN00208D	24	0.25	8		0257-32XX	7	10~12					
28~12	0254-20XX	40	14	DN00510D	20	0.5	10	0257-34XX	7	10~12						
	0254-30XX	40	14	DN01012D	/	1	12	0257-61XX	8	10~12						
				DN01512D	16	1.5	12	0257-62XX	8	10~12						
				DN00712D	18	0.75	12	0257-64XX	8	10~12						
26~18	0157-1BXX	18	8	DN00308D	22	0.34	8	26~12	0257-71XX	8	10~12	DN02512D	14	2.5	12	
			DN00208D	24	0.25	8	0257-72XX		8	10~12	DN01512D	16	1.5	12		
26~18	0288-1AXX	15	7~8	DN00308D	22	0.34	8		0257-74XX	8	10~12	DN01012D	18	1	12	
	0288-1DXX	16	7~8	DN00508D	20	0.5	8		0257-81XX	8	10~12	DN00712D	18	0.75	12	
	0288-2AXX	95	7~8						0257-82XX	8	10~12	DN00510D	20	0.5	10	
	0288-AAXX	95	7~8						0257-84XX	8	10~12	DN00308D	22	0.34	8	
	0288-ADXX	95	7~8									DN00208D	24	0.25	8	
26~16	0156-9BXX	19	11~12	DN01010D	/	1	10		26~12	2ESDS-XXP	44	11~12	DN02510D	14	2.5	10
	0156-9CXX	19	11~12	DN00710D	18	0.75	10			2ESDSM-XXP	44	11~12	DN01510D	16	1.5	10
	0156-9AXX	20	11~12	DN00510D	20	0.5	10			2ESDSR-XXP	44	11~12	DN01010D	/	1	10
	0156-9DXX	20	11~12	DN00308D	22	0.34	8	2ESDSRM-XXP		44	11~12	DN00710D	18	0.75	10	
26~12	0121-01XX	45	12	DN02512D	14	2.5	12				DN00510D	20	0.5	10		
				DN01512D	16	1.5	12				DN00308D	22	0.34	8		
				DN01010D	/	1	10				DN00208D	24	0.25	8		
				DN00710D	18	0.75	10	26~12	2ESDSV-XXP	45	13	DN02512D	14	2.5	12	
				DN00510D	20	0.5	10		2ESDSVK-XXP	45	13	DN01510D	16	1.5	10	
				DN00308D	22	0.34	8		2ESDSVM-XXP	45	13	DN01010D	/	1	10	
			DN00208D	24	0.25	8					DN00710D	18	0.75	10		
											DN00510D	20	0.5	10		

PID connection PCB connectors



Wire range	Terminal blocks	Page	Strip length	Applicable Ferrules				Wire range	Terminal blocks	Page	Strip length	Applicable Ferrules				
AWG			mm	Ferrule P/N	AWG	mm ²	L1	AWG			mm	Ferrule P/N	AWG	mm ²	L1	
26~12	2ESR-XXP	36	11	DN02512D	14	2.5	12	24~16	0184-11XX	125	9	DN00710D	18	0.75	10	
	2ESRK-XXP	36	11	DN01512D	16	1.5	12		0184-13XX	125	9	DN00510D	20	0.5	10	
	2ESRM-XXP	36	11	DN01012D	/	1	12		0184-15XX	125	9	DN00308D	22	0.34	8	
	2ESV-XXP	36	11	DN00712D	18	0.75	12		0184-16XX	125	9	DN00208D	24	0.25	8	
	2ESVK-XXP	36	11	DN00510D	20	0.5	10		24~16	0184-31XX	126	8~9	DN01010D	/	1	10
	2ESVM-XXP	36	11							0184-33XX	126	8~9	DN00710D	18	0.75	10
							0184-35XX	126		8~9	DN00510D	20	0.5	10		
26~12	3ESDS-XXP	46	11~12	DN02510D	14	2.5	10	24~16	0184-36XX	126	8~9	DN00308D	22	0.34	8	
	3ESDSM-XXP	46	11~12	DN01510D	16	1.5	10					DN00208D	24	0.25	8	
	3ESDSR-XXP	46	11~12	DN01010D	/	1	10		24~16	0191-04XX	89	8	DN01010D	/	1	10
	3ESDSRH-XXP	46	9	DN00710D	18	0.75	10	0191-04XXC		89	8	DN00710D	18	0.75	10	
	3ESDSRHM-XXP	46	9	DN00510D	20	0.5	10						DN00508D	20	0.5	8
	3ESDSRM-XXP	46	11~12	DN00308D	22	0.34	8						DN00308D	22	0.34	8
				DN00208D	24	0.25	8				DN00208D	24	0.25	8		
26~12	5ESDS-XXP	43	11~12	DN02510D	14	2.5	10	24~16	0191-06XX	88	9	DN00710D	18	0.75	10	
	5ESDSM-XXP	43	11~12	DN01510D	16	1.5	10		0191-06XXC	88	9	DN00510D	20	0.5	10	
	5ESDSR-XXP	43	10~11	DN01010D	/	1	10						DN00308D	22	0.34	8
	5ESDSRH-XXP	43	10~11	DN00710D	18	0.75	10						DN00208D	24	0.25	8
				DN00510D	20	0.5	10									
			DN00308D	22	0.34	8										
26~12	5ESR-XXP	34	11	DN02512D	14	2.5	12	24~16	0221-20XX	31	10	DN01010D	/	1	10	
	5ESRK-XXP	34	11	DN01510D	16	1.5	10		0221-21XX	32	10	DN00710D	18	0.75	10	
	5ESRM-XXP	34	11	DN01010D	/	1	10		0221-24XX	32	10	DN00510D	20	0.5	10	
	5ESV-XXP	34	11	DN00710D	18	0.75	10		0221-28XX	32	10	DN00308D	22	0.34	8	
	5ESVK-XXP	34	11	DN00510D	20	0.5	10		0221-29XX	32	10	DN00208D	24	0.25	8	
	5ESVM-XXP	34	11	DN00308D	22	0.34	8									
			DN00208D	24	0.25	8	24~16	0221-42XX	33	10	DN01010D	/	1	10		
24~16	0159-01XX	21	10	DN01010D	/	1		10	0221-43XX	33	10	DN00710D	18	0.75	10	
	0159-03XX	21	10	DN00710D	18	0.75		10	0221-44XX	33	10	DN00510D	20	0.5	10	
	0159-04XX	21	10	DN00510D	20	0.5		10	24~16	0226-01XX	25	9	DN01010D	/	1	10
	0159-05XX	22	10	DN00308D	22	0.34		8		0226-02XX	25	9	DN00710D	18	0.75	10
	0159-07XX	22	10	DN00208D	24	0.25		8		0226-03XX	25	9	DN00510D	20	0.5	10
	0159-08XX	22	10					0226-06XX		26	9	DN00308D	22	0.34	8	
							0226-07XX	26		9	DN00208D	24	0.25	8		
							0226-08XX	26		9						
24~16	0181-A1XX	92	10	DN01010D	/	1	10	24~12	0150-20XX	37	12	DN01512D	16	1.5	12	
	0181-A3XX	92	10	DN00710D	18	0.75	10		0150-30XX	38	12	DN01010D	/	1	10	
				DN00510D	20	0.5	10						DN00710D	18	0.75	10
				DN00308D	22	0.34	8						DN00508D	20	0.5	8
				DN00208D	24	0.25	8						DN00308D	22	0.34	8
											DN00208D	24	0.25	8		
24~16	0184-01XX	126	9	DN01508D	16	1.5	8	24~12	2ESDB-XXP	94	12	DN0				

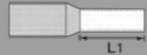
Wire Ferrules

PID connection PCB connectors



Wire range	Terminal blocks	Page	Strip length	Applicable Ferrules				Wire range	Terminal blocks	Page	Strip length	Applicable Ferrules			
AWG			mm	Ferrule P/N	AWG	mm ²	L1	AWG			mm	Ferrule P/N	AWG	mm ²	L1
24~12	2ESS-XXP	35	11	DN02512D	14	2.5	12	20~4	0187-A4XX	94	18~20	DN10018D	8	10	18
	2ESSM-XXP	35	11	DN01510D	16	1.5	10					DN06018D	10	6	18
				DN01010D	/	1	10					DN04018D	12	4	18
				DN00710D	18	0.75	10					DN02518D	14	2.5	18
				DN00510D	20	0.5	10					DN01518D	16	1.5	18
				DN00308D	22	0.34	8					DN01012D	/	1	12
				DN00208D	24	0.25	8					DN00712D	18	0.75	12
20~12	0150-40XX	38	13	DN01512D	16	1.5	12	20~8	0258-61XX	10	12~14	DN06012D	10	6	12
				DN01010D	/	1	10					DN04012D	12	4	12
				DN00710D	18	0.75	10					DN02512D	14	2.5	12
				DN00508D	20	0.5	8					DN01512D	16	1.5	12
				DN00308D	22	0.34	8					DN01012D	/	1	12
				DN00208D	24	0.25	8					DN00712D	18	0.75	12

Screw connection PCB connectors



Wire range	Terminal blocks	Page	Strip length	Applicable Ferrules				Wire range	Terminal blocks	Page	Strip length	Applicable Ferrules			
AWG			mm	Ferrule P/N	AWG	mm ²	L1	AWG			mm	Ferrule P/N	AWG	mm ²	L1
30~14	EC508V-XXP	52	6~7	DN01006D	/	1	6	30~12	2ESDA-XXP	55	7~8	DN02508D	14	2.5	8
	EC508VM-XXP	52	6~7	DN00706D	18	0.75	6		2ESDAM-XXP	55	7~8	DN01508D	16	1.5	8
				DN00506D	20	0.5	6		2ESDL-XXP	56	7~8	DN01008D	/	1	8
				DN00306D	22	0.34	6		2ESDP-XXP	55	7~8	DN00708D	18	0.75	8
				DN00206D	24	0.25	6		2ESDPL-XXP	56	7~8	DN00508D	20	0.5	8
30~14	ECSH381MK-XXP	122	7	DN01006D	/	1	6	2ESDPLM-XXP	56	7~8	DN00308D	22	0.34	8	
	ECSH381K-XXP	122	7	DN00706D	18	0.75	6	2ESDPM-XXP	55	7~8	DN00208D	24	0.25	8	
	ECSH381V-XXP	122	7	DN00506D	20	0.5	6	2ESDV-XXP	55	6~7					
	ECSH381VM-XXP	122	7	DN00306D	22	0.34	6	2ESDVH-XXP	54	6~7					
30~14	EC381F-XXP	50	8	DN01008D	/	1	8	2ESDVM-XXP	55	6~7					
	EC381FM-XXP	50	8	DN00708D	18	0.75	8	2ESDVNM-XXP	56	6~7					
				DN00508D	20	0.5	8	2ESDVS-03P	55	7~8					
				DN00308D	22	0.34	8	2ESDVB-XXP	92	7~8	DN02510D	14	2.5	10	
30~14	EC350F-XXP	50	9	DN01008D	/	1	8	2ESDVB-XXP	92	7~8	DN01510D	16	1.5	10	
	EC350FM-XXP	50	9	DN00708D	18	0.75	8	2ESDVB-XXP	92	7~8	DN01010D	/	1	10	
				DN00508D	20	0.5	8				DN00710D	18	0.75	10	
				DN00308D	22	0.34	8				DN00510D	20	0.5	10	
				DN00208D	24	0.25	8				DN00308D	22	0.34	8	

Screw connection PCB connectors



Wire range	Terminal blocks	Page	Strip length	Applicable Ferrules				Wire range	Terminal blocks	Page	Strip length	Applicable Ferrules										
AWG			mm	Ferrule P/N	AWG	mm ²	L1	AWG			mm	Ferrule P/N	AWG	mm ²	L1							
30~12	3ESDP-XXP	57	7~8	DN02508D	14	2.5	8	30~8	EC762H-XXP	80	11	DN04010D	12	4	10							
	3ESDPL-XXP	57	7~8	DN01508D	16	1.5	8					EC762HLNM-XXP	63	10~11	DN02512D	14	2.5	12				
	3ESDPLM-XXP	57	7~8	DN01008D	/	1	8					EC762HVM-XXP	63	10~11	DN01510D	16	1.5	10				
	3ESDPM-XXP	57	7~8	DN00708D	18	0.75	8					EC762HVN-XXP	63	10~11	DN01010D	/	1	10				
	3ESDV-XXP	57	7~8	DN00508D	20	0.5	8					EC762HVNM-XXP	63	10~11	DN00708D	18	0.75	8				
	3ESDVH-XXP	58	7~8	DN00308D	22	0.34	8								DN00508D	20	0.5	8				
	3ESDVHM-XXP	58	7~8	DN00208D	24	0.25	8								DN00308D	22	0.34	8				
	3ESDVM-XXP	57	7~8													DN00208D	24	0.25	8			
	5ESDA-XXP	53	7~8	DN02508D	14	2.5	8					30~8	EC762H-XXP	80	11	DN06018D	10	6	18			
	5ESDAM-XXP	53	7~8	DN01508D	16	1.5	8									DN04012D	12	4	12			
5ESDP-XXP	53	7~8	DN01008D	/	1	8	DN02512D	14	2.5	12												
5ESDPL-XXP	54	7~8	DN00708D	18	0.75	8	DN01510D	16	1.5	10												
5ESDPLM-XXP	54	8	DN00508D	20	0.5	8	DN01010D	/	1	10												
5ESDPM-XXP	53	8	DN00308D	22	0.34	8	DN00710D	18	0.75	10												
5ESDV-XXP	53	6~7	DN00208D	24	0.25	8	DN00510D	20	0.5	10												
5ESDVM-XXP	53	6~7					DN00308D	22	0.34	8												
5ESDTS-XXP	51	7~8	DN02510D	14	2.5	10	DN00208D	24	0.25	8												
			DN01510D	16	1.5	10	30~8	ECSH762FS-XXP	123	11	DN04012D					12	4	12				
			DN01008D	/	1	8					ECSH762SS-XXP	123	11	DN02512D	14	2.5	12					
			DN00708D	18	0.75	8					ECSH762V-XXP	123	11	DN01510D	16	1.5	10					
			DN00508D	20	0.5	8								DN01010D	/	1	10					
30~12	7ESDP-XXP	57	7~8	DN02508D	14	2.5	8				DN00710D	18	0.75	10								
	7ESDPL-XXP	57	7~8	DN01508D	16	1.5	8				DN00510D	20	0.5	10								
	7ESDPLM-XXP	57	7~8	DN01008D	/	1	8				DN00308D	22	0.34	8								
	7ESDPM-XXP	57	7~8	DN00708D	18	0.75	8	28~14	CPC350-XXP	126	6	DN01006D	18	1	6							
	7ESDV-XXP	57	7~8	DN00508D	20	0.5	8					DN00706D	18/20	0.75	6							
	7ESDVH-XXP	57	7~8	DN00308D	22	0.34	8					DN00506D	20	0.5	6							
	7ESDVM-XXP	57	7~8	DN00208D	24	0.25	8					DN00306D	22	0.34	6							
											DN00206D	24	0.25	6								
30~10	EC762V-XXP	63	10~11	DN04012D	12	4	12	28~14	EC350R-XXP	49	7	DN01008D	/	1	8							
				DN02508D	14	2.5	8					EC350RL-XXP	49	7	DN00708D	18	0.75	8				
				DN01508D	16	1.5	8					EC350RLM-XXP	49	7	DN00508D	20	0.5	8				
				DN01008D	/	1	8					EC350RM-XXP	49	7	DN00308D	22	0.34	8				
				DN00708D	18	0.75	8					EC350V-XXP	49	7	DN00206D	24	0.25	6				
				DN00508D	20	0.5	8					EC350VM-XXP	49	7								
				DN00308D	22	0.34	8															
				DN00208D	24	0.25	8															

Wire Ferrules

Screw connection PCB connectors



Wire range AWG	Terminal blocks	Page	Strip length mm	Applicable Ferrules				Wire range AWG	Terminal blocks	Page	Strip length mm	Applicable Ferrules				
				Ferrule P/N	AWG	mm ²	L1					Ferrule P/N	AWG	mm ²	L1	
28~14	EC381L-XXP	51	7	DN01008D	/	1	8	24~12	2ESH-XXP	122	7	DN02508D	14	2.5	8	
	EC381LM-XXP	51	7	DN00708D	18	0.75	8		2ESHM-XXP	122	7	DN01508D	16	1.5	8	
	EC381V-XXP	49	7	DN00508D	20	0.5	8		DN01008D	/	1	8				
	EC381VK-XXP	51	7	DN00308D	22	0.34	8		DN00708D	18	0.75	8				
	EC381VM-XXP	49	7	DN00206D	24	0.25	6		DN00508D	20	0.5	8				
	EC381R-XXP	49	7						DN00306D	22	0.34	6				
	EC381RL-XXP	49	7						5ESDF-XXP	52	9~10	DN02510D	14	2.5	10	
	EC381RLM-XXP	49	7						5ESDFM-XXP	52	9~10	DN01510D	16	1.5	10	
28~14	EC508F-XXP	52	9	DN01508D	16	1.5	8	24~12	2ESDF-XXP	53	10	DN01010D	/	1	10	
	EC508FM-XXP	52	9	DN01008D	/	1	8		2ESDFM-XXP	53	10	DN00710D	18	0.75	10	
				DN00708D	18	0.75	8					DN00510D	20	0.5	10	
				DN00508D	20	0.5	8					DN00308D	22	0.34	8	
				DN00308D	22	0.34	8					DN00208D	24	0.25	8	
				DN00208D	24	0.25	8					ED130F-XXP	88	6	DN01006D	/
28~12	3ESNP-XXP	61	7~8	DN02508D	14	2.5	8	22~14	ED130T-XXP	88	6	DN00706D	18	0.75	6	
	3ESNPL-XXP	61	7~8	DN01508D	16	1.5	8					DN00506D	20	0.5	6	
	3ESNPLM-XXP	61	7~8	DN01008D	/	1	8					DN00306D	22	0.34	6	
	3ESNPLS-XXP	61	7~8	DN00708D	18	0.75	8	20~10	0183-01XX	64	9	DN04010D	12	4	10	
	3ESNPLSM-XXP	61	7~8	DN00508D	20	0.5	8		0183-01XXTXX	64	9	DN02510D	14	2.5	10	
	3ESNPM-XXP	61	7~8	DN00308D	22	0.34	8					DN01510D	16	1.5	10	
	3ESNPS-XXP	61	7~8	DN00208D	24	0.25	8					DN01010D	/	1	10	
	3ESNPSM-XXP	61	7~8									DN00710D	18	0.75	10	
	5ESDG-XXP	126	8									DN00510D	20	0.5	10	
	5ESDT-XXP	130	6~7									DN00308D	22	0.34	8	
										DN00208D	24	0.25	8			
28~10	3ESNPH-XXP	62	7~8	DN02508D	14	2.5	8	20~6	EC880HV-XXP	64	11~10	DN04012D	12	4.0	12	
	3ESNPHL-XXP	62	7~8	DN01508D	16	1.5	8		EC880HVT-XXP	64	11~10	DN02512D	14	2.5	12	
	3ESNPHLM-XXP	62	7~8	DN01008D	/	1	8					DN01512D	16	1.5	12	
	3ESNPHM-XXP	62	7~8	DN00708D	18	0.75	8					DN01012D	/	1.0	12	
	3ESNVH-XXP	62	7~8	DN00508D	20	0.5	8					DN00712D	18	0.8	12	
	3ESNVHM-XXP	62	7~8	DN00308D	22	0.34	8					DN00510D	20	0.5	10	
26~12	0164-01XX	90	7	DN02508D	14	2.5	8	20~2	EC150VM-XXP	66	19~20	DN35025D	2	35	25	
	0164-01XX(T)	90	7	DN01508D	16	1.5	8					DN25022D	4	25	22	
	0164-02XX	90	7	DN01008D	/	1	8					DN16018D	6	16	18	
	0164-A1XX	90	7	DN00708D	18	0.75	8					DN10018D	8	10	18	
	0164-A1XX(T)	90	7	DN00508D	20	0.5	8					DN06018D	10	6	18	
	0164-A2XX	90	7	DN00308D	22	0.34	8					DN04018D	12	4	18	
24~14	0162-01XX	90	7	DN01006D	/	1	6				DN02518D	14	2.5	18		
	0162-A1XX	90	7	DN00706D	18	0.75	6				DN01518D	16	1.5	18		
				DN00506D	20	0.5	6									
				DN00306D	22	0.34	6									
				DN00206D	24	0.25	6									

Screw connection PCB connectors



Wire range AWG	Terminal blocks	Page	Strip length mm	Applicable Ferrules				Wire range AWG	Terminal blocks	Page	Strip length mm	Applicable Ferrules			
				Ferrule P/N	AWG	mm ²	L1					Ferrule P/N	AWG	mm ²	L1
16~6	EC116V-XXP	65	14~15	DN10018D	8	10	18								
	EC116VM-XXP	65	14~15	DN06018D	10	6	18								
	ECSH116K-XXP	98	14~15	DN04018D	12	4	18								
	ECSH116M-XXP	98	14~15	DN02518D	14	2.5	18								
	ECSH116MK-XXP	98	14~15	DN01518D	16	1.5	18								
	ECSH116V-XXP	98	14~15	DN01012D	/	1	12								
	ECSH116VM-XXP	124	14~15	DN00712D	18	0.75	12								
					DN00510D	20	0.5	10							

PID connection PCB terminal blocks



Wire range AWG	Terminal blocks	Page	Strip length mm	Applicable Ferrules				Wire range AWG	Terminal blocks	Page	Strip length mm	Applicable Ferrules						
				Ferrule P/N	AWG	mm ²	L1					Ferrule P/N	AWG	mm ²	L1			
28~20	0136-10XX	101	8	DN00308D	22	0.34	8	28~16	0275-11XXY5	11	9~10	DN00710D	18	0.75	10			
	0136-11XX	101	8	DN00208D	24	0.25	8					DN00510D	20	0.5	10			
28~16	0136-20XX	102	9	DN00510D	20	0.5	10					DN00308D	22	0.34	8			
	0136-21XX	102	9	DN00308D	22	0.34	8					DN00208D	24	0.25	8			
	0136-22XX	102	9	DN00208D	24	0.25	8		0275-11XX	11	10~11	DN01010D	/	1	10			
	0136-23XX	102	9				0290-11XX					11	9~10	DN00710D	18	0.75	10	
28~16	0138-50XX	102	8~9	DN00710D	18	0.75	10	28~16	0138-42XXL20	103	9	DN00508D	20	0.5	8			
	0138-50XXL	102	8~9	DN00508D	20	0.5	8					DN00308D	22	0.34	8			
	0138-50XXSMDWR	101	8~9	DN00308D	22	0.34	8					DN00208D	24	0.25	8			
	0138-51XX	102	8~9	DN00208D	24	0.25	8					0138-60XX	106	9	DN01010D	/	1	10
	0138-51XXL	102	8~9				0138-60XXL								106	9	DN00710D	18
	28~16	0151-01XX	103	10~11	DN01010D	/	1					10	28~14	0138-61XX	106	9	DN00308D	22
0151-01XXL		103	10~11	DN00710D	18	0.75	10	0138-61XXL	106	9	DN00208D	24					0.25	8
0151-02XX		103	10~11	DN00508D	20	0.5	8	0188-01XXL	100	8	DN00508D	20					0.5	8
0151-02XXL		103	10~11	DN00308D	22	0.34	8				0188-02XXL	100					8	DN00308D
28~16	0152-01XX	104	8~9	DN01010D	18	1	10	26~18	0188-01XXSMDWR	100	8	DN00208D	24	0.25	8			
	0152-02XX	104	8~9	DN00710D	18/20	0.75	10					0188-02XXSMDWR	100	8	DN00208D	24	0.25	8
	0152-53XX	106	8~9	DN00510D	20	0.5	10					0137-40XX	102	8~9	DN00710D	18	0.75	10
	0152-03XX	104	8~9	DN01008D	/	1	8								0137-41XX	102	8~9	DN00508D
28~16	0188-12XXSMDWR	104	8~9	DN00708D	18	0.75	8	26~16(Sol) 24~20(Str)	0185-12XX	103	9	DN00308D	22	0.34	8			
				DN00508D	20	0.5	8					DN00208D	24	0.25	8			
				DN00308D	22	0.34	8					0185-13XX	103	9	DN00710D	18	0.75	10
				DN00208D	24	0.25	8								DN00510D	20	0.5	10
				DN00508D	20	0.5	8					26~16			DN00308D	22	0.34	8
				DN00308D	22	0.34	8								DN00208D	24	0.25	8

Wire Ferrules

PID connection PCB terminal blocks



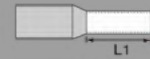
Wire range AWG	Terminal blocks	Page	Strip length mm	Applicable Ferrules				Wire range AWG	Terminal blocks	Page	Strip length mm	Applicable Ferrules				
				Ferrule P/N	AWG	mm ²	L1					Ferrule P/N	AWG	mm ²	L1	
26~16	0137-11XX	104	10	DN01010D	/	1	10	24~12	0275-21XX	11	12	DN02512D	14	2.5	12	
	0141-01XX	104	10	DN00710D	18	0.75	10		0290-21XX	11	12	DN01512D	16	1.5	12	
	0141-21XX	106	10	DN00508D	20	0.5	8		DN01010D	/	1	10	DN00710D	18	0.75	10
	0141-22XX	104	10	DN00308D	22	0.34	8		DN00710D	18	0.75	10	DN00510D	20	0.5	10
	0141-24XX	106	10	DN00208D	24	0.25	8		DN00308D	22	0.34	8	DN00208D	24	0.25	8
	0185-31XX	91	9						DN00308D	22	0.34	8				
	0185-32XX	91	9						DN00208D	24	0.25	8				
26~16	0177-31XX	107	10	DN00710D	18	0.75	10	24~12	0276-21XX	11	10~12	DN04010D	14	2.5	10	
	0177-33XX	107	10	DN00510D	20	0.5	10		DN02510D	16	1.5	10				
				DN00308D	22	0.34	8		DN01510D	/	1	10				
				DN00208D	24	0.25	8		DN00710D	18	0.75	10				
26~14	0138-70XX	105	11	DN01012D	/	1	12	24~10	0177-76XX	108	14	DN04012D	12	4	12	
	0138-76XX	105	11	DN00712D	18	0.75	12		0177-78XX	108	14	DN02512D	14	2.5	12	
				DN00510D	20	0.5	10		DN01510D	16	1.5	10				
				DN00308D	22	0.34	8		DN01010D	/	1	10				
26~12	0177-51XX	108	10	DN01510D	16	1.5	10	24~8	0177-81XX	107	15	DN06018D	10	6	18	
	0177-53XX	108	10	DN01010D	/	1	10		0177-83XX	107	15	DN04012D	12	4	12	
				DN00710D	18	0.75	10		0177-86XX	107	16	DN02512D	14	2.5	12	
				DN00510D	20	0.5	10		0177-88XX	107	16	DN01512D	16	1.5	12	
				DN00308D	22	0.34	8		DN01010D	/	1	10				
24~18	0137-41XXM	103	7~8	DN00508D	20	0.5	8	24~8	0275-31XX	12	14~16	DN06012D	10	6	12	
				DN00308D	22	0.34	8		0275-32XX	12	14~16	DN04012D	12	4	12	
				DN00208D	24	0.25	8		0290-31XX	12	14	DN02512D	14	2.5	12	
									0290-32XX	12	14	DN01512D	16	1.5	12	
24~18	0191-05XX	89	7	DN00706D	18	0.75	6	24~8	0275-31XX	12	14~16	DN06012D	10	6	12	
				DN00506D	20	0.5	6		0275-32XX	12	14~16	DN04012D	12	4	12	
				DN00306D	22	0.34	6		0290-31XX	12	14	DN02512D	14	2.5	12	
24~14	0162-06XX	90	11	DN01510D	16	1.5	10	24~8	0290-32XX	12	14	DN01512D	16	1.5	12	
	0162-A6XX	90	11	DN01010D	/	1	10		DN01012D	/	1	12				
				DN00710D	18	0.75	10		DN00712D	18	0.75	12				
24~12	0153-01XX	105	14	DN02512D	14	2.5	12	24~8	DN00510D	20	0.5	10				
	0153-02XX	105	14	DN01512D	16	1.5	12		DN00308D	22	0.34	8				
	0153-41XX	106	14	DN01012D	/	1	12		DN00208D	24	0.25	8				
	0153-91XX	105	14	DN00712D	18	0.75	12									
				DN00510D	20	0.5	10									

PID connection PCB terminal blocks



Wire range AWG	Terminal blocks	Page	Strip length mm	Applicable Ferrules				Wire range AWG	Terminal blocks	Page	Strip length mm	Applicable Ferrules						
				Ferrule P/N	AWG	mm ²	L1					Ferrule P/N	AWG	mm ²	L1			
22~14	142R-XXP	105	10	DN01012D	/	1	12	14~2	0177-B3XX	108	23~25	DN35025D	2	35	25			
	142V-XXP	105	10	DN00712D	18	0.75	12					DN25022D	4	25	22			
				DN00510D	20	0.5	10					DN16018D	6	16	18			
				DN00308D	22	0.34	8					DN10018D	8	10	18			
				DN00208D	24	0.25	8					DN06018D	10	6	18			
20~4	0177-03XX	108	20	DN10018D	8	10	18	14~2	0290-51XX	13	24~26	DN35025D	2	35	25			
	0177-06XX	108	20	DN06018D	10	6	18					0290-51XXM	13	24~26	DN25022D	4	25	22
	0177-08XX	108	20	DN04018D	12	4	18					DN16018D	6	16	18			
				DN02518D	14	2.5	18					DN10018D	8	10	18			
				DN01518D	16	1.5	18					DN06018D	10	6	18			
18~4	0290-41XXYB	13	19	DN10012D	8	10	12	14~2	0290-51XX	13	24~26	DN35025D	2	35	25			
	0290-42XXYD	13	19	DN06012D	10	6	12					0290-51XXM	13	24~26	DN25022D	4	25	22
	0290-42XXP3YD	13	19	DN04012D	12	4	10					DN16018D	6	16	18			
				DN02508D	14	2.5	8					DN10018D	8	10	18			
				DN01508D	16	1.5	8					DN06018D	10	6	18			
			DN01008D	/	1	8	DN04018D	12	4	18								
			DN00712D	18	0.75	12	DN02518D	14	2.5	18								

Screw connection PCB terminal blocks



Wire range AWG	Terminal blocks	Page	Strip length mm	Applicable Ferrules				Wire range AWG	Terminal blocks	Page	Strip length mm	Applicable Ferrules						
				Ferrule P/N	AWG	mm ²	L1					Ferrule P/N	AWG	mm ²	L1			
30~16	EK350A-XXP	110	6	DN00706D	18	0.75	6	30~14	EESK381V-XXP	110	6	DN01006D	/	1	6			
	EK350V-XXP	109	6	DN00506D	20	0.5	6					ELK500S-XXP	110	6	DN00706D	18	0.75	6
	EK350V4L-XXP	110	6	DN00306D	22	0.34	6					ELK500V-XXP	110	6	DN00506D	20	0.5	6
	EK381A-XXP	110	6	DN00206D	24	0.25	6					ELK508S-XXP	112	6	DN00306D	22	0.34	6
	EK381V-XXP	109	6									ESK381V-XXP	109	6	DN00206D	24	0.25	6
	EK381V3L-XXP	109	6									ESK381V4L-XXP	110	6				
	EK381V4L-XXP	109	6									ESK381R-XXP	110	6				
	E3K381V-XXP	110	6									E2LK508V-XXP	112	7				
	EEK381V-XXP	110	6									EKB635V-XXP	114	8~9	DN04010D	12	4	10
	EHK381V-XXP	110	6													DN02508D	14	2.5
30~16	ELK508V-XXP	111	6	DN01006D	/	1	6	30~10	EESK381V-XXP	110	6	DN01508D	16	1.5	8			
				DN00706D	18	0.75	6					DN01008D	/	1	8			
				DN00506D	20	0.5	6					DN00708D	18	0.75	8			
				DN00306D	22	0.34	6					DN00508D	20	0.5	8			
				DN00206D	24	0.25	6					DN00308D	22	0.34	8			
							DN00208D	24	0.25	8								
28~16								EESK381V-XXP	109	5	5	DN00306D	22	0.34	6			
							DN00206D					24	0.25	6				

Wire Ferrules

Screw connection PCB terminal blocks



Wire range	Terminal blocks	Page	Strip length	Applicable Ferrules				Wire range	Terminal blocks	Page	Strip length	Applicable Ferrules							
AWG			mm	Ferrule P/N	AWG	mm ²	L1	AWG			mm	Ferrule P/N	AWG	mm ²	L1				
28~12	EK750V-XXP	114	7	DN01508D	16	1.5	8	24~12	E2HK500V-XXPAM	112	7	DN02508D	14	2.5	8				
				DN01008D	/	1	8					DN01508D	16	1.5	8				
				DN00708D	18	0.75	8					DN01008D	/	1	8				
				DN00508D	20	0.2	8					DN00708D	18	0.75	8				
				DN00306D	22	0.34	6					DN00508D	20	0.5	8				
				DN00206D	24	0.25	6					DN00306D	22	0.34	6				
26~16 (Sol) 26~14 (Str)	ELK508V3L-XXP	111	6~7	DN01006D	/	1	6	24~12	E3K500V-XXP	111	7	DN02508D	14	2.5	8				
				DN00706D	18	0.75	6					E3K508V-XXP	114	7	DN01008D	/	1	8	
				DN00506D	20	0.5	6					EEK500V-XXP	111	7	DN00708D	18	0.75	8	
				DN00306D	22	0.34	6					EEK508V-XXP	114	7	DN00508D	20	0.5	8	
				DN00206D	24	0.25	6					EHK2V-XXP	113	7	DN00306D	22	0.34	6	
26~16	EELK508V-XXP	111	6~7	DN01006D	/	1	6	24~12	EHK5V-XXP	112	8	DN02508D	14	2.5	8				
				DN00706D	18	0.75	6					EHK5V3L-XXP	111	7	DN01508D	16	1.5	8	
				DN00506D	20	0.5	6					EHK500R-XXP	112	7	DN01008D	/	1	8	
				DN00306D	22	0.34	6					EHK508V2L-XXP	114	7	DN00708D	18	0.75	8	
				DN00206D	24	0.25	6					EHK508V3L-XXP	114	7	DN00508D	20	0.5	8	
26~16	ELK500B-XXP	110	7	DN01008D	/	1	8	24~12	E2HK508V-XXPAM	114	7~8	DN01508D	16	1.5	8				
				DN00708D	18	0.75	8					EEHK2V-XXP	113	7~8	DN01008D	/	1	8	
				DN00508D	20	0.5	8					DN00708D	18	0.75	8	DN00508D	20	0.5	8
				DN00308D	22	0.34	8					DN00508D	20	0.5	8	DN00308D	22	0.34	8
				DN00208D	24	0.25	8					DN00308D	22	0.34	8	DN00208D	24	0.25	8
26~12	ESK508V-XXP	114	8	DN02508D	14	2.5	8	24~12	EK500A-XXP	111	7	DN02508D	14	2.5	8				
				DN01508D	16	1.5	8					EK500R-XXP	111	7	DN01508D	16	1.5	8	
				DN01008D	/	1	8					EK500V-XXP	111	7	DN01008D	/	1	8	
				DN00708D	18	0.75	8					EK500V2L-XXP	112	7	DN00708D	18	0.75	8	
				DN00508D	20	0.5	8					EK500V3L-XXP	112	7	DN00508D	20	0.5	8	
				DN00308D	22	0.34	8					EK500V4L-XXP	112	7	DN00306D	22	0.34	6	
				DN00208D	24	0.25	8					EK508A-XXP	112	8	DN00206D	24	0.25	6	
26~10	EK950HVN-XXP	115	8	DN02508D	14	2.5	8	24~12	EK508R-XXP	112	7	DN01508D	16	1.5	8				
				DN01508D	16	1.5	8					EK508V-XXP	112	7	DN01008D	/	1	8	
				DN01008D	/	1	8					EK508V2L-XXP	113	7	DN00708D	18	0.75	8	
				DN00708D	18	0.75	8					EK508V3L-XXP	113	7	DN00508D	20	0.5	8	
				DN00508D	20	0.5	8					EK508V4L-XXP	113	7	DN00308D	22	0.34	8	
				DN00308D	22	0.34	8					DN00208D	24	0.25	8	DN00208D	24	0.25	8
26~10	ESK635V-XXP	114	8~9	DN04010D	12	4	10	24~10	EKB762V-XXP	116	7~8	DN02508D	14	2.5	8				
				DN02508D	14	2.5	8					ESK750V-XXP	114	7~8	DN01508D	16	1.5	8	
				DN01508D	16	1.5	8					ESK762V-XXP	116	7~8	DN01008D	/	1	8	
				DN01008D	/	1	8					DN00708D	18	0.75	8	DN00708D	18	0.75	8
				DN00708D	18	0.75	8					DN00508D	20	0.5	8	DN00508D	20	0.2	8
				DN00508D	20	0.5	8					DN00308D	22	0.34	8	DN00308D	22	0.34	8
				DN00308D	22	0.34	8					DN00208D	24	0.25	8	DN00208D	24	0.25	8
				DN00208D	24	0.25	8												

Screw connection PCB terminal blocks



Wire range	Terminal blocks	Page	Strip length	Applicable Ferrules				Wire range	Terminal blocks	Page	Strip length	Applicable Ferrules						
AWG			mm	Ferrule P/N	AWG	mm ²	L1	AWG			mm	Ferrule P/N	AWG	mm ²	L1			
24~6	PDS-10-XX	118	13	DN10012D	8	10	12	18~8	EPK635VN-XXP	113	10~11	DN04012D	12	4	12			
				DN06012D	10	6	12					DN02510D	14	2.5	10			
				DN04012D	12	4	12					DN01510D	16	1.5	10			
				DN02512D	14	2.5	12					DN01010D	18	1	10			
				DN01512D	16	1.5	12					DN00710D	18	0.75	10			
				DN01012D	/	1	12					DN00510D	20	0.5	10			
				DN00712D	18	0.75	12					DN00308D	22	0.34	8			
				DN00208D	24	0.25	8					DN00208D	24	0.25	8			
22~12	DT-123HVR-XXP	118	14	DN01512D	16	1.5	12	16~2/0	ESK175V-XXP	116	19~21	DN50020D	1	50	20			
				DN01012D	/	1	12					ESK175VM-XXP	116	19~21	DN35018D	2	35	18
				DN00712D	18	0.75	12					DN25018D			4	25	18	
				DN00510D	20	0.5	10					DN16018D			6	16	18	
				DN00308D	22	0.34	8					DN10018D			8	10	18	
DN00208D	24	0.25	8	DN06018D	10	6	18											
22~10	DT-2300-XXP	117	14	DN04018D	12	4	18	22~6	ESKW116V-XXP	116	13~14	DN10012D	8	10	12			
				DN02512D	14	2.5	12					DN06012D	10	6	12			
				DN01512D	16	1.5	12					DN04012D	12	4	12			
				DN01012D	/	1	12					DN02512D	14	2.5	12			
				DN00712D	18	0.75	12					DN01512D	16	1.5	12			
20~6	EPK116VN-XXP	115	13	DN16012D	6	16	12	6~3/0	ESK200VM-XXP	116	25~26	DN95025D	3/0	95	25			
				DN10012D	8	10	12					DN70021D	2/0	70	21			
				DN06012D	10	6	12					DN50025D	1	50	25			
				DN04012D	12	4	12					DN35025D	2	35	25			
				DN02512D	14	2.5	12					DN25022D	4	25	22			
20~6	EPK116VS-XXP	115	13	DN16012D	6	16	12	20~2	ESK150V-XXP	115	19	DN25018D	4	25	18			
				DN10012D	8	10	12					ESK150VM-XXP	115	19	DN16018D	6	16	18
				DN06012D	10	6	12					DN10018D			8	10	18	
				DN04012D	12	4	12					DN06018D			10	6	18	
				DN02512D	14	2.5	12					DN04018D			12	4	18	
DN01512D	16	1.5	12	DN02518D	14	2.5	18											
20~2	EPK116R-XXPAM	116	11	DN06012D	10	6	12	20~2	ESK150V-XXP	115	19	DN25018D	4	25	18			
				DN04012D	12	4	12					ESK150VM-XXP	115	19	DN16018D	6	16	18
				DN02512D	14	2.5	12					DN10018D			8	10	18	
				DN01512D	16	1.5	12					DN06018D			10	6	18	
				DN01012D	/	1	12					DN04018D			12	4	18	
DN00712D	18	0.75	12	DN02518D	14	2.5	18											
20~2	EPK116V-XXP	116	11	DN04012D	12	4	12	20~2	ESK150V-XXP	115	19	DN25018D	4	25	18			
				DN02512D	14	2.5	12					ESK150VM-XXP	115	19	DN16018D	6	16	18
				DN01512D	16	1.5	12					DN10018D			8	10	18	
				DN01012D	/	1	12					DN06018D			10	6	18	
				DN00712D	18	0.75	12					DN04018D			12	4	18	
DN00510D	20	0.5	10	DN02518D	14	2.5	18											
20~2	EPK116V-XXP	115	13	DN16012D	6	16	12	20~2	ESK150V-XXP	115	19	DN25018D	4	25	18			
				DN10012D	8	10	12					ESK150VM-XXP	115	19	DN16018D	6	16	18
				DN06012D	10	6	12					DN10018D			8	10	18	
				DN04012D	12	4	12					DN06018D			10	6	18	
				DN02512D	14	2.5	12					DN04018D			12	4	18	
DN01512D	16	1.5	12	DN02518D	14	2.5	18											

Wire Ferrules

Spring clamp connection PCB terminal blocks



Wire range AWG	Terminal blocks	Page	Strip length mm	Applicable Ferrules				Wire range AWG	Terminal blocks	Page	Strip length mm	Applicable Ferrules			
				Ferrule P/N	AWG	mm ²	L1					Ferrule P/N	AWG	mm ²	L1
28~20	WKA250A-XXP	119	6	DN01006D	/	1	6	26~10 (Str)	WSKA750S-XXP	120	14~15	DN04012D	12	4	12
	WKA254A-XXP	120	6	DN00706D	18	0.75	6					DN02512D	14	2.5	12
	WKV250A-XXP	120	6	DN00506D	20	0.5	6					DN01512D	16	1.5	12
	WKV254A-XXP	120	6	DN00306D	22	0.34	6					DN01012D	/	1	12
				DN00206D	24	0.25	6					DN00712D	18	0.75	12
28~12	W3K500-XXP	120	7	DN01508D	16	1.5	8	24~16	WKA50B-XXP	119	10	DN01012D	/	1	12
	W3K508-XXP	120	7	DN01006D	/	1	6					DN00712D	18	0.75	12
	W4K500-XXP	120	7	DN00706D	18	0.75	6					DN00510D	20	0.5	10
	W4K508-XXP	120	7	DN00506D	20	0.5	6					DN00308D	22	0.34	8
	WKA500-XXP	119	6	DN00306D	22	0.34	6					DN00208D	24	0.25	8
				WKA500-XXPL	119	6	DN00206D	24	0.25	6	24~6	WSKA100-XXP	120	15	DN10018D
	WKA508-XXP	119	6					DN06018D	10	6					18
	WKK500-XXP	120	7					DN04018D	12	4					18
	WKK508-XXP	120	7					DN02518D	14	2.5					18
								DN01518D	16	1.5					18
28~12	WSKA500S-XXP	119	11	DN02512D	14	2.5	12								
				DN01512D	16	1.5	12								
				DN01012D	/	1	12								
				DN00712D	18	0.75	12								
				DN00510D	20	0.5	10								

I/O enclosure terminal blocks



Wire range AWG	Terminal blocks	Page	Strip length mm	Applicable Ferrules				Wire range AWG	Terminal blocks	Page	Strip length mm	Applicable Ferrules												
				Ferrule P/N	AWG	mm ²	L1					Ferrule P/N	AWG	mm ²	L1									
30~12	7ES-3PL	131	8	DN02508D	14	2.5	8	24~12	0189-202PL	129	11	DN02510D	14	2.5	10									
	7ES-3PR	131	8	DN01508D	16	1.5	8					DN01510D	16	1.5	10									
				DN01008D	/	1	8					DN01010D	/	1	10									
				DN00708D	18	0.75	8					DN00710D	18	0.75	10									
				DN00508D	20	0.5	8					DN00508D	20	0.5	8									
				DN00308D	22	0.34	8					DN00308D	22	0.34	8									
				DN00208D	24	0.25	8					DN00208D	24	0.25	8									
				28~16	0171-10XX 0171-11XX 0171-60XX	128	8					DN01008D	/	1	8	0189-202PR	130	11	11	0189-203PR	130	11		
DN00708D	18	0.75	8					0189-204PR	130	11														
DN00508D	20	0.5	8								0189-212PR	130	11											
DN00308D	22	0.34	8											0189-213PR	130								11	
DN00208D	24	0.25	8	0189-214PR	130	11																		
28~16	0228-21XX 0228-22XX 0228-23XX	128	9				DN01010D	/	1	10						22~14	5ES-2PL	129	8	DN02508D	14	2.5		8
							DN00710D	18	0.75	10	5ES-3PL	129	8							DN01508D	16	1.5		8
							DN00510D	20	0.5	10	5ES-4PL	129	8	DN01008D	/					1	8			
24~12	0171-20XX 0171-21XX	128	10	DN00308D	22	0.34	8	5ES-2PR	130	8	8	DN00708D	18	0.75	8									
				DN00208D	24	0.25	8					5ES-3PR	130	8	DN00508D	20	0.5	8						
				DN01510D	16	1.5	10								5ES-4PR	130	8	DN00308D	22	0.34	8			
				DN01010D	/	1	10											DN00208D	24	0.25	8			
				DN00710D	18	0.75	10																	
				DN00510D	20	0.5	10																	
				DN00308D	22	0.34	8																	
DN00208D	24	0.25	8																					

P-LUP Family

PCB Connectors & PCB Terminal Blocks

Highlights

Dinkle new lever up design terminal block, P-LUP family, adopts a new lever up type wiring structure, which brings more convenient operation. The 0290 series PCB terminal block and the 0256 and 0257 series PCB connectors optimize levers' operability and maintain the high reliability of push-in connections. The new P-LUP family of products uses push-in connection method with lever-up lever to make wiring task faster and easier than ever, up to 2 AWG (35 mm²) and electrical specifications from 300V/10A~600V/101A (UL). We will continue to develop P-LUP family to meet the diverse needs of industrial wiring.



0290-43XX



0290-51XX



0290-11XX



0290-21XX



0290-32XX



0290-42XX

Product Features:

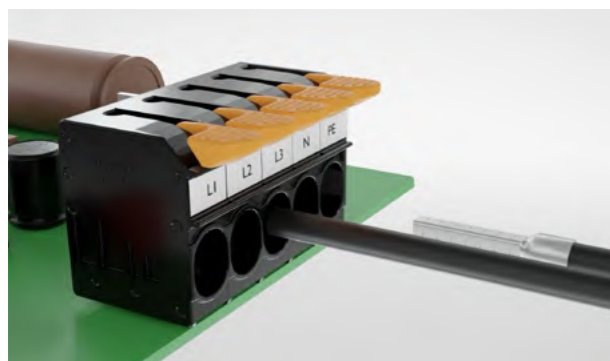
1. Perfect operating experience

The lever up type product is ergonomically designed for simple and time-saving operation and quick wiring, providing a high reliability connection and ensuring the overall efficient operation of the system.



2. Tool-free & push-in (PID) connection

The lever up type push-in design connection can easily insert the solid wire or the ferruled stranded wire without any tool to save wiring time, and easy to release the conductors by the lever-up lever without tool.

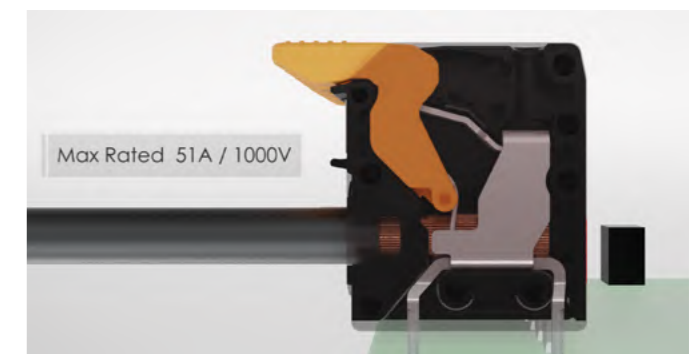


3. Test hole for continuity confirmation

P-LUP series are designed with electrical testing holes, which is convenient for users to check the continuity.

4. Excellent contact stability

Push-in connection technology makes the conductors of solid wires and ferruled wires can be easily inserted into the clamp. Lever up type design ensures reliable contact and long-term stability of inserted conductors. Dual solder pins bring a steadily soldering on the PCB.



5. Simple and clear marking system

With D-Thermo marking system and the latest flat marking plate, the design of the marking area of the terminal block can be marked by label strip at one time, which is easy to mark and easy to identify.

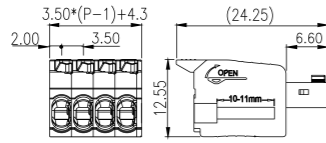


* For D-Thermo marking system, please refer to Dinkle catalogue DC-34

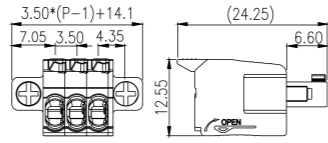
3.50mm

Technical Data	UL	IEC
Rated voltage	300V	320V
Rated current	8A	10A
Solid (AWG/mm ²)	28-16	0.14-1.5
Flexible (AWG/mm ²)	28-16	0.14-1.5
Rated impulse voltage		2.5kV
Wire strip length	9-10mm	
Number of Positions	02-24P	

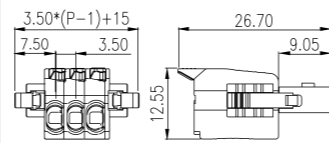
0256-11XX



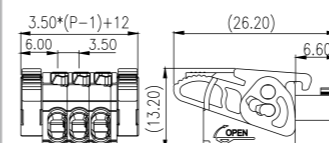
0256-12XX



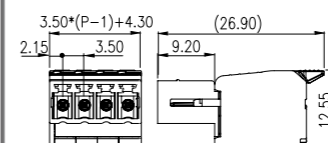
0256-13XX



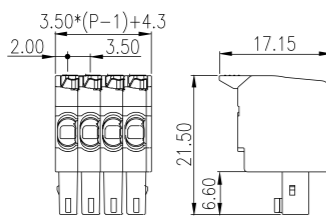
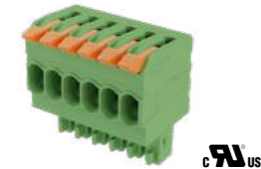
0256-14XX



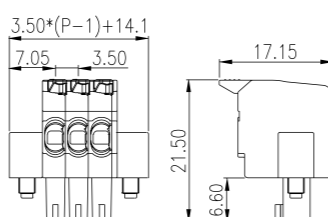
0218-21XX



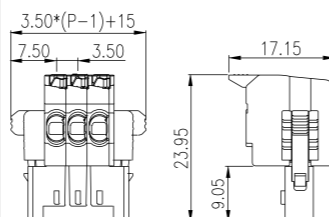
0256-21XX



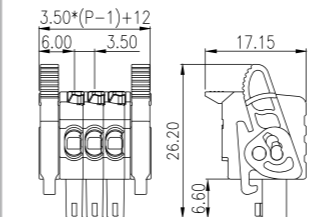
0256-22XX



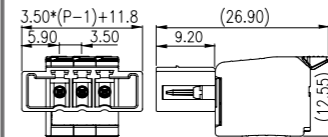
0256-23XX



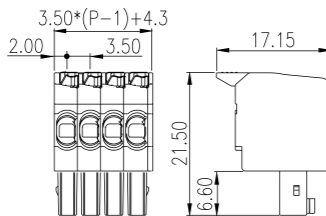
0256-24XX



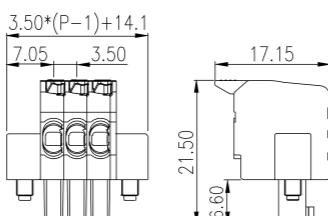
0218-23XX



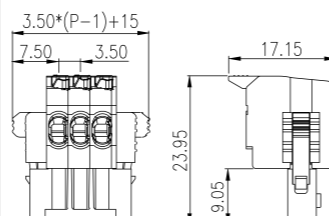
0256-31XX



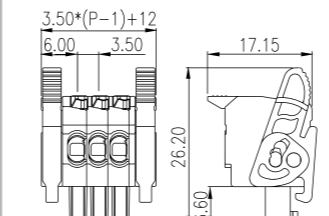
0256-32XX



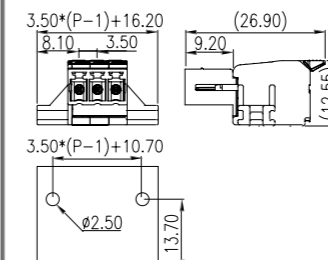
0256-33XX



0256-34XX



0218-25XX



Socket

ECH350V-XXP	P69
ECH350V-XXPL	P69
ECH350R-XXP	P69
ECH350R-XXPL	P69

Please refer to the related page number for the compatible headers.

Socket

ECH350VM-XXP	P32
ECH350VM-XXPL	P32
ECH350RM-XXP	P32
ECH350RM-XXPL	P32

Please refer to the related page number for the compatible headers.

Socket

ECH350VJ-XXP	P32
ECH350VJ-XXPL	P32
ECH350RJ-XXP	P32
ECH350RJ-XXPL	P32

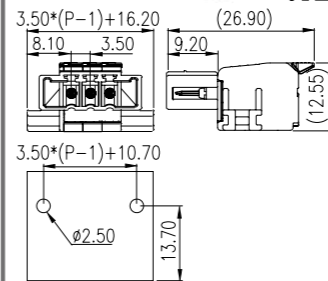
Please refer to the related page number for the compatible headers.

Socket

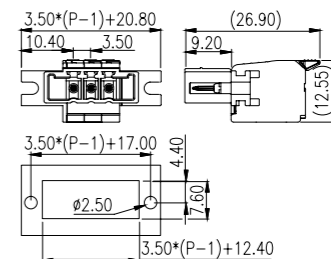
ECH350VD-XXP	P69
ECH350RD-XXP	P69
ECH350VM-XXPL	P32
ECH350RM-XXPL	P32

Please refer to the related page number for the compatible headers.

0218-27XX



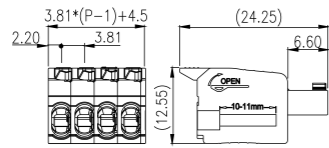
0218-2GXX



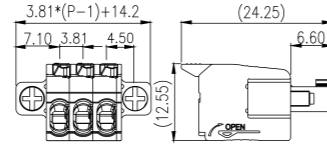
3.81mm

Technical Data	UL	IEC
Rated voltage	300V	320V
Rated current	8A	10A
Solid (AWG/mm ²)	28~16	0.14~1.5
Flexible (AWG/mm ²)	28~16	0.14~1.5
Rated impulse voltage		2.5KV
Wire strip length	9~10mm	
Number of Positions		
02~24P		

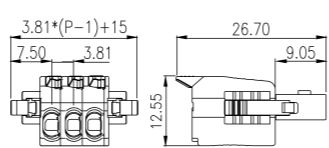
0256-61XX



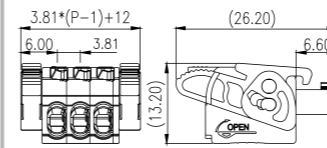
0256-62XX



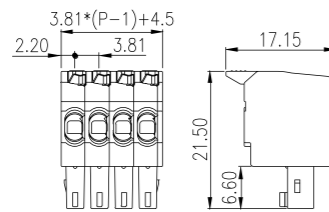
0256-63XX



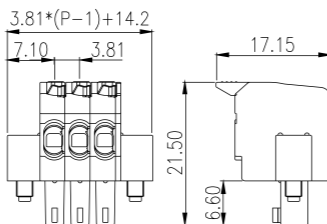
0256-64XX



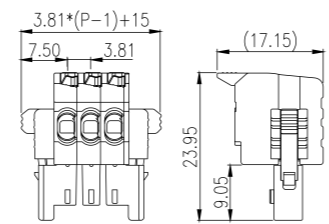
0256-71XX



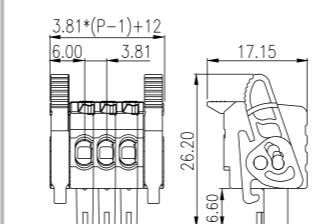
0256-72XX



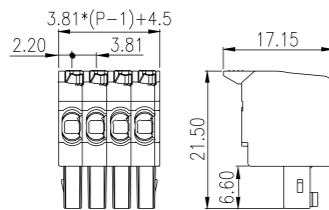
0256-73XX



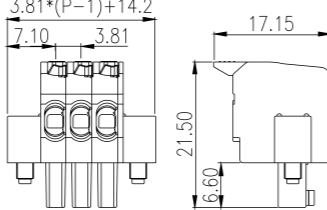
0256-74XX



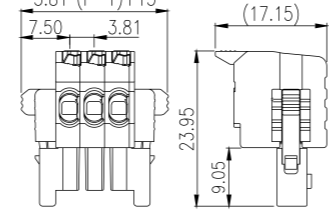
0256-81XX



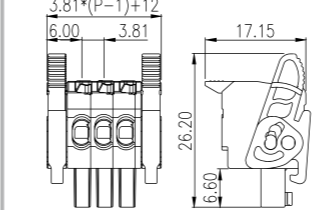
0256-82XX



0256-83XX



0256-84XX



Socket

ECH381V-XXP	P71
ECH381V-XXPL	P71
ECH381R-XXP	P71
ECH381R-XXPL	P71

Please refer to the related page number for the compatible headers.

Socket

ECH381VM-XXP	P71
ECH381VM-XXPL	P71
ECH381RM-XXP	P71
ECH381RM-XXPL	P71

Please refer to the related page number for the compatible headers.

Socket

ECH381RJ-XXP	P33
ECH381RJ-XXPL	P33
ECH381VJ-XXP	P33
ECH381VJ-XXPL	P33

Please refer to the related page number for the compatible headers.

Socket

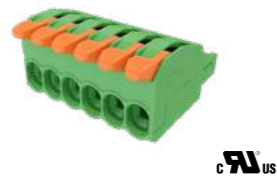
ECH381VD-XXP	P71
ECH381RD-XXP	P71
ECH381VM-XXPL	P71
ECH381RM-XXPL	P71

Please refer to the related page number for the compatible headers.

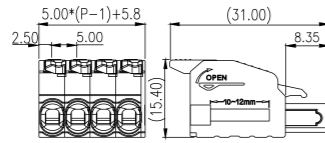
5.00mm

Technical Data	UL	IEC
Rated voltage	300V	630V
Rated current	15A	16A
Solid (AWG/mm ²)	26-12	0.2-2.5
Flexible (AWG/mm ²)	26-12	0.2-2.5
Rated impulse voltage		4KV
Wire strip length	10-12mm	
Number of Positions		
02-24P		
Accessories		
ESDK1	P66	
ESDK2	P66	

0257-11XX



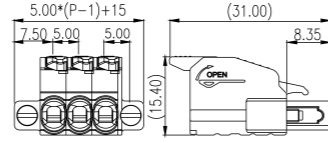
cULus



0257-12XX



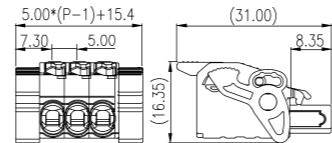
cULus



0257-14XX



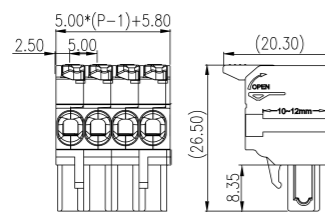
cULus



0257-21XX



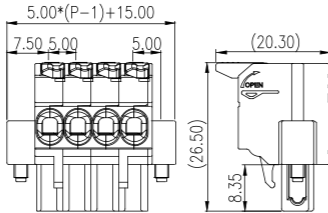
cULus



0257-22XX



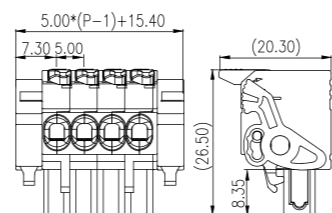
cULus



0257-24XX



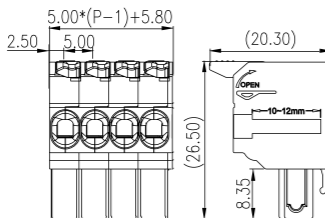
cULus



0257-31XX



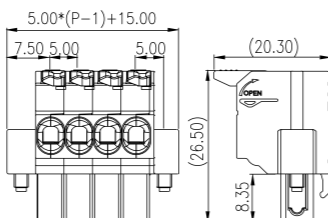
cULus



0257-32XX



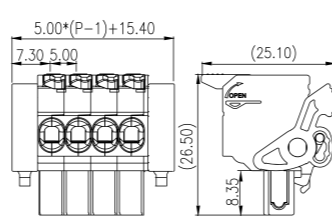
cULus



0257-34XX



cULus



Socket

5EHDVC-XXP	P73
5EHDVC-XXPL	P73
5EHDRG-XXP	P73
5EHDRG-XXPL	P73

Please refer to the related page number for the compatible headers.

Socket

5EHDVM-XXP	P74
5EHDVM-XXPL	P74
5EHDRM-XXP	P74
5EHDRM-XXPL	P74

Please refer to the related page number for the compatible headers.

Socket

5EHDVG-XXP	P74
5EHDRG-XXP	P74
5EHDVM-XXPL	P74
5EHDRM-XXPL	P74

Please refer to the related page number for the compatible headers.

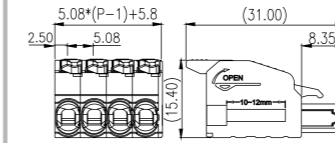
5.08mm

Technical Data	UL	IEC
Rated voltage	300V	630V
Rated current	15A	16A
Solid (AWG/mm ²)	26-12	0.2-2.5
Flexible (AWG/mm ²)	26-12	0.2-2.5
Rated impulse voltage		4KV
Wire strip length	10-12mm	
Number of Positions		
02-24P		
Accessories		
ESDK1	P66	
ESDK2	P66	

0257-61XX



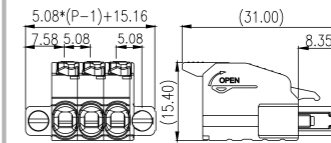
cULus



0257-62XX



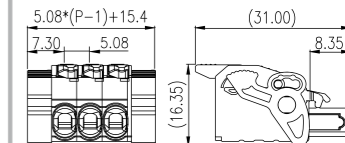
cULus



0257-64XX



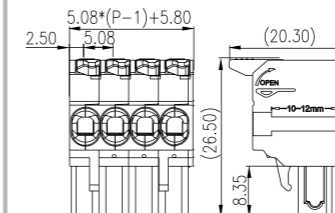
cULus



0257-71XX



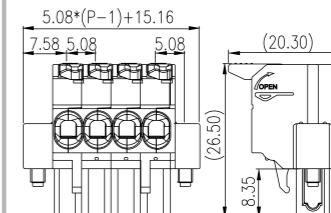
cULus



0257-72XX



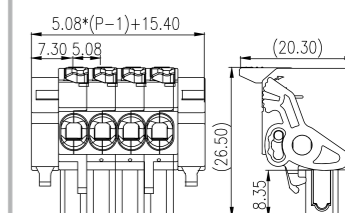
cULus



0257-74XX



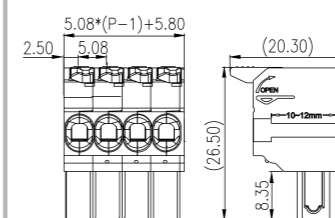
cULus



0257-81XX



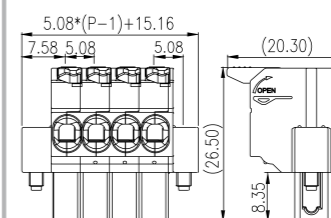
cULus



0257-82XX



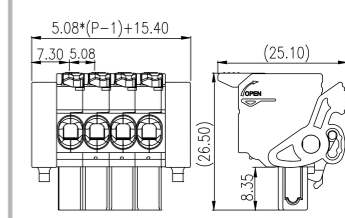
cULus



0257-84XX



cULus



Socket

2EHDVC-XXP	P76
2EHDVC-XXPL	P76
2EHDRG-XXP	P76
2EHDRG-XXPL	P76

Please refer to the related page number for the compatible headers.

Socket

2EHDVM-XXP	P76
2EHDVM-XXPL	P76
2EHDRM-XXP	P76
2EHDRM-XXPL	P76

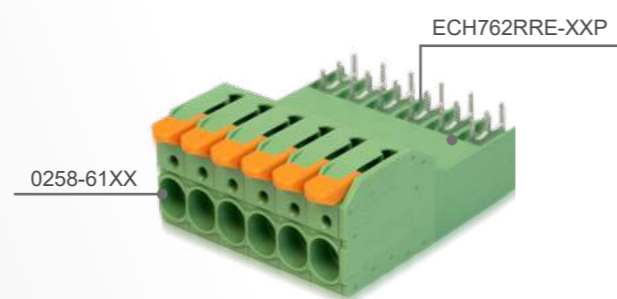
Please refer to the related page number for the compatible headers.

Socket

2EHDVG-XXP	P75
2EHDRG-XXP	P75
2EHDVM-XXPL	P76
2EHDRM-XXPL	P76

Please refer to the related page number for the compatible headers.

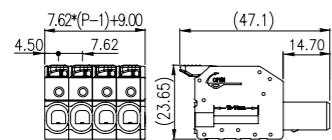
P-LUP Plug & Sockets



7.62mm

0258-61XX

Technical Data	UL	IEC
Rated voltage	600V	1000V
Rated current	35A	41A
Solid (AWG/mm ²)	20~8	0.2~10
Flexible (AWG/mm ²)	20~8	0.2~6
Rated impulse voltage		8KV
Wire strip length	12~14mm	

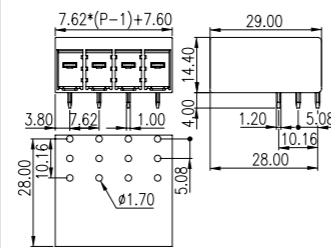
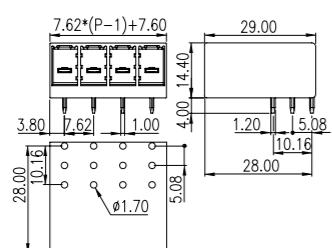


7.62mm

ECH762RE-XXP

ECH762RRE-XXP

Technical Data	UL	IEC
Rated voltage	600V	1000V
Rated current	35A	41A
Rated impulse voltage		8KV



P-LUP family



The lever-type handle is designed in accordance with ergonomic principles, ensuring a comfortable grip and ease of use. This thoughtful design not only enhances operational efficiency but also enables users to perform wiring tasks swiftly and accurately, significantly reducing installation time.

0275 & 0290 Series

Connection method: Push-in connection
Pitch: 3.50mm / 5.00mm / 7.50mm / 10.00mm / 14.50mm / 15.00mm
UL Rated Voltage: 300V ~ 1000V
UL Rated Current: 10 ~ 101A
IEC Rated Voltage: 160V ~ 1000V
IEC Rated Current: 17.5A ~ 125A

- P-LUP features a new lever up wiring structure for easier operation
- The PCB terminal block optimizes the operability of the lever up handle and maintains a high-reliability push-in connection.
- Lever up PID connection makes the conductor be inserted into the terminal block without ferrules to implement reality tool free operation
- 0290 & 0275 Series are Equipped with test holes for users to check the continuity easily
- Suitable for charging piles and power transmission

3.50mm

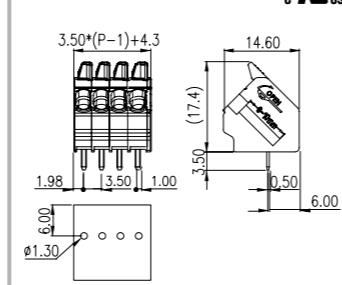
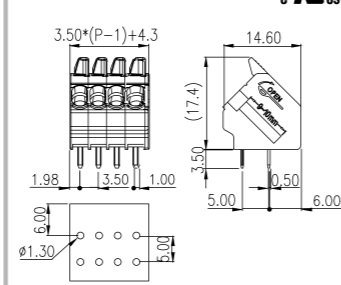
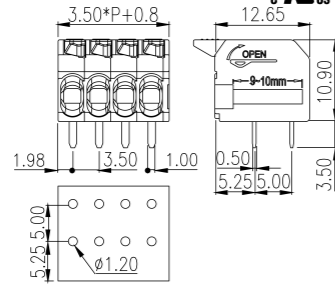
0290-11XX

0275-11XX

0275-11XXY5

Technical Data	UL	IEC
Rated voltage	300V	160V
Rated current	10A	17.5A
Solid (AWG/mm ²)	28~16	0.14~1.5
Flexible (AWG/mm ²)	28~16	0.14~1.5
Rated impulse voltage	2.5KV	
Wire strip length	9~10mm	

Number of Positions
02~24P



5.00mm

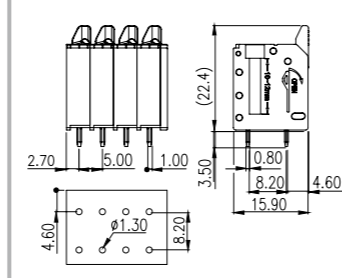
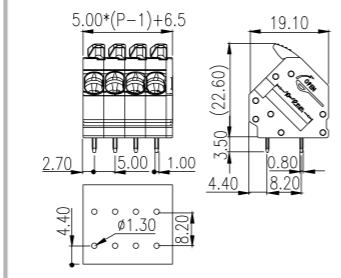
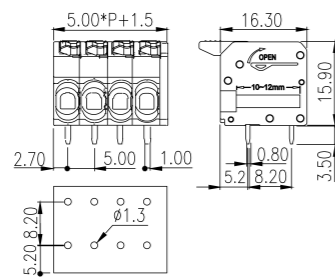
0290-21XX

0275-21XX

0276-21XX

Technical Data	UL	IEC
Rated voltage	300V	400V
Rated current	20A	32A
Solid (AWG/mm ²)	24~12	0.2~4
Flexible (AWG/mm ²)	24~12	0.2~4
Rated impulse voltage	4KV	
Wire strip length	10~12mm	

Number of Positions
02~12P



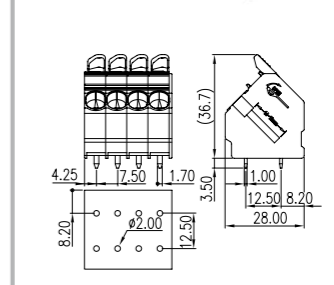
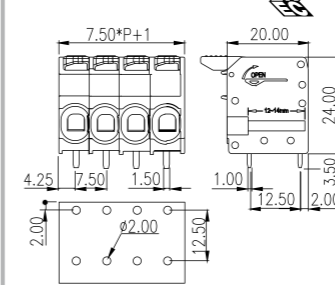
7.50mm

0290-31XX

0275-31XX

Technical Data	UL	IEC
Rated voltage	300V	630V
Rated current	32A	41A
Solid (AWG/mm ²)	24~8	0.2~6
Flexible (AWG/mm ²)	24~8	0.2~6
Rated impulse voltage	6KV	
Wire strip length	12~14mm	

Number of Positions
02~12P



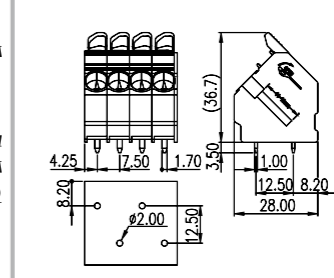
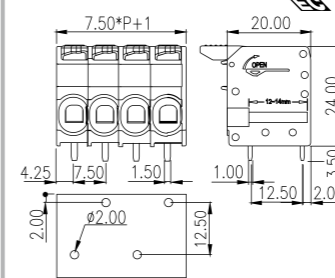
7.50mm

0290-32XX

0275-32XX

Technical Data	UL	IEC
Rated voltage	600V	1000V
Rated current	32A	41A
Solid (AWG/mm ²)	24~8	0.2~6
Flexible (AWG/mm ²)	24~8	0.2~6
Rated impulse voltage	8KV	
Wire strip length	12~14mm	

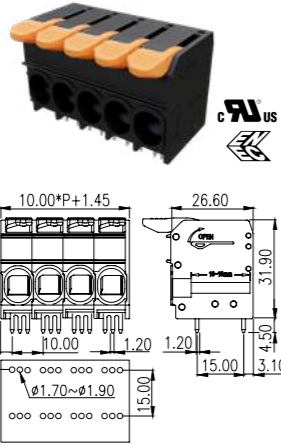
Number of Positions
02~12P



10.00mm

0290-41XXYB

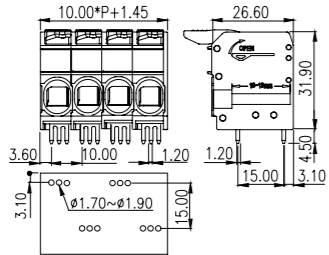
Technical Data	UL	IEC
Rated voltage	300V	400V
Rated current	66A	76A
Solid (AWG/mm ²)	18~4	0.75~16
Flexible (AWG/mm ²)	18~4	0.75~16
Rated impulse voltage	4KV	
Wire strip length	18~19mm	
Number of Positions		
02~12P		



10.00mm

0290-42XXYD

Technical Data	UL	IEC
Rated voltage	600V	1000V
Rated current	66A	76A
Solid (AWG/mm ²)	18~4	0.75~16
Flexible (AWG/mm ²)	18~4	0.75~16
Rated impulse voltage	4KV	
Wire strip length	18~19mm	
Number of Positions		
02~12P		

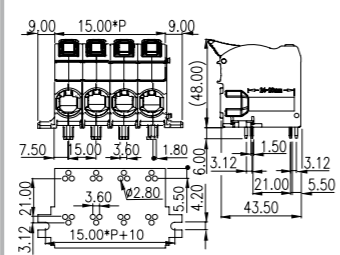
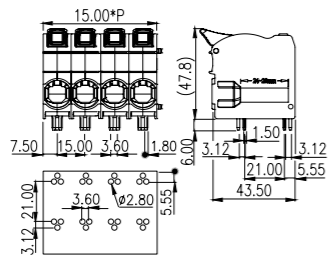


15.00mm

0290-51XX

0290-51XXM

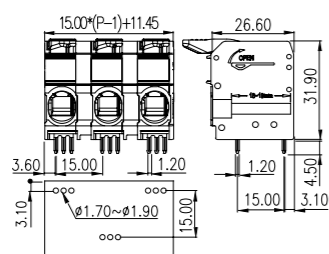
Technical Data	UL	IEC
Rated voltage	600V	1000V
Rated current	101A	125A
Solid (AWG/mm ²)	14~2	2.5~35
Flexible (AWG/mm ²)	14~2	2.5~35
Rated impulse voltage	8KV	
Wire strip length	24~26mm	
Number of Positions		
01~06P		



15.00mm

0290-42XXP3YD

Technical Data	UL	IEC
Rated voltage	1000V	1000V
Rated current	72A	76A
Solid (AWG/mm ²)	18~4	0.75~16
Flexible (AWG/mm ²)	18~4	0.75~16
Rated impulse voltage	4KV	
Wire strip length	18~19mm	
Number of Positions		
02~12P		



PID (Push-In Design) Plugs & Sockets



Connection technology- push-in design connection, for easy and flexible conductor connection

Connection method: Push-in design

Pitch: 2.50mm / 2.54mm / 3.50mm

UL Rated: 150V / 5A, 150V / 8A, 300V / 8A




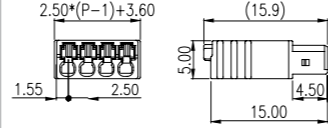
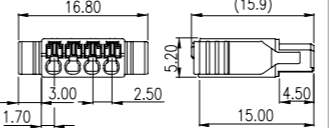
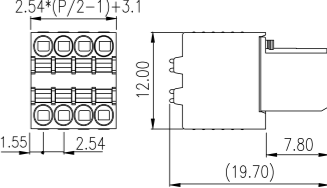





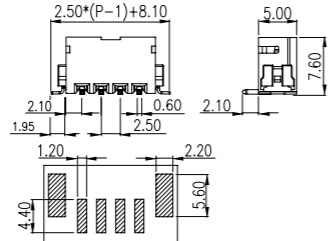
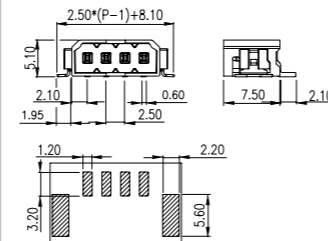
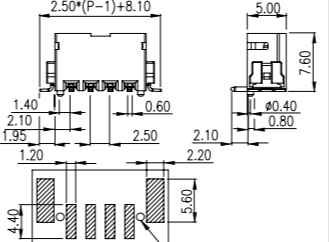
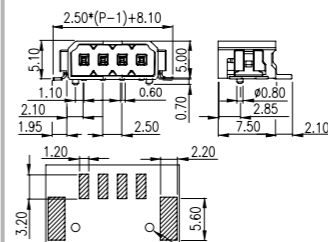
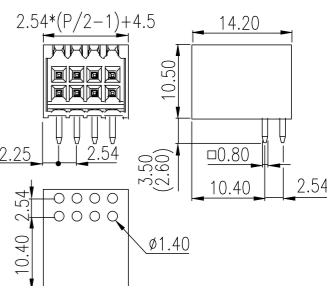




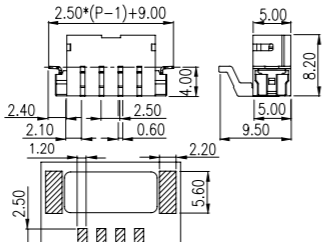
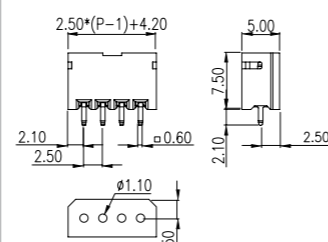
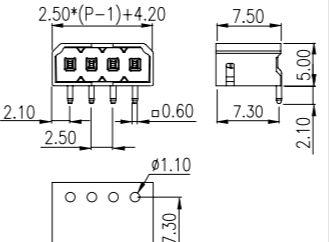
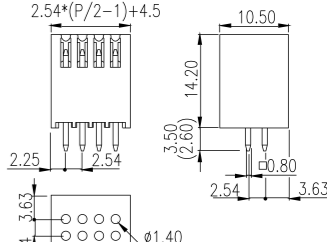
IEC Rated: 250V / 8A, 320V / 6A, 320V / 8A, 320V / 10A

- Vertical and parallel plug-in directions to PCB are available

- Compact double-level plug for high connection density

- Type of locking includes screw flange, lock flange and release tool

- THR version socket is available, pin length 2.6mm
(The last suffix "L" represents THR version.)

2.50mm		0288-1AXX		0288-1DXX		2.54mm		0156-1BXX-BK			
Technical Data	UL	IEC				Technical Data	UL	IEC			
Rated voltage	150V	320V				Rated voltage	150V	320V			
Rated current	6A	6A				Rated current	5A	6A			
Solid (AWG/mm ²)	26~18	0.14~0.5				Solid (AWG/mm ²)	30~20	0.2~0.5			
Flexible (AWG/mm ²)	26~18	0.2~0.5				Flexible (AWG/mm ²)	30~20	0.2~0.5			
Rated impulse voltage		2.5kV				Rated impulse voltage		2.5KV			
Wire strip length		7~8				Wire strip length		7~8mm			
Number of Positions						Number of Positions					
02~12P						06~44P					
											
0288-6AXXSMDWR		0288-6BXXSMDWR		0288-8AXXSMDWR		0288-8BXXSMDWR		2.54mm		0156-15XX (0156-15XXL)	
											
											
0288-9AXXSMDWR		0288-6AXXLWR		0288-6BXXLWR						0156-10XX (0156-10XXL)	
											
											

For THR products, Surge voltage category/pollution degree III/2 II/2

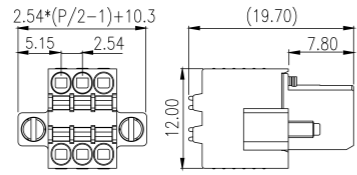
Rated voltage 160 160

2.54mm

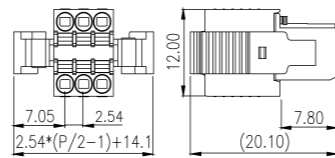
0156-1AXX-BK



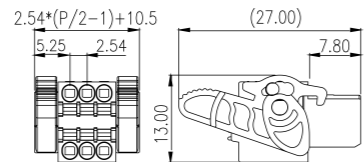
Technical Data	UL	IEC
Rated voltage	150V	320V
Rated current	5A	6A
Solid (AWG/mm ²)	30-20	0.2-0.5
Flexible (AWG/mm ²)	30-20	0.2-0.5
Rated impulse voltage	2.5KV	
Wire strip length	7-8mm	
Number of Positions		
0156-1AXX-BK	04-44P	
0156-1DXX-BK	04-44P	
0156-1CXX-BK	06-44P	



0156-1CXX-BK



0156-1DXX-BK



2.54mm

0156-17XX (0156-17XXL)



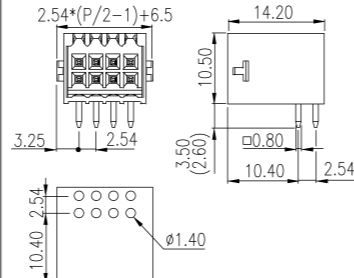
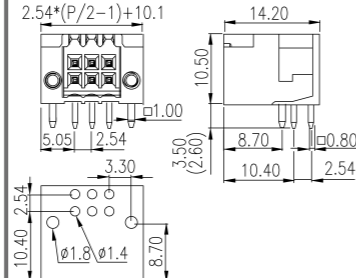
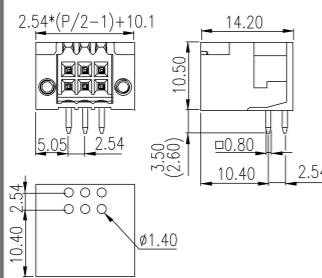
0156-18XX (0156-18XXL)



0156-19XX (0156-19XXL)



Technical Data	UL	IEC
Rated voltage	150V	320V
Rated current	5A	6A
Rated impulse voltage	2.5KV	
Number of Positions		
0156-13XX	04-44P	
0156-13XXL	04-44P	
0156-18XX	06-44P	
0156-18XXL	06-44P	
0156-12XX	06-44P	
0156-12XXL	06-44P	
0156-16XX	06-44P	
0156-16XXL	06-44P	
0156-17XX	06-44P	
0156-17XXL	06-44P	
0156-19XX	06-44P	
0156-19XXL	06-44P	



For THR products,
Surge voltage category/pollution degree
III/2 II/2

Rated voltage
160 160

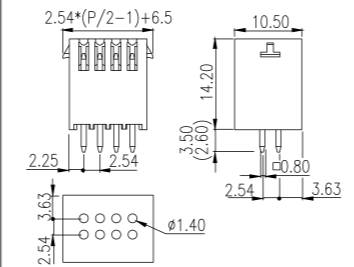
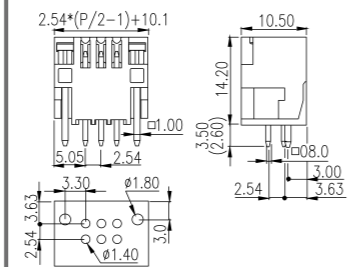
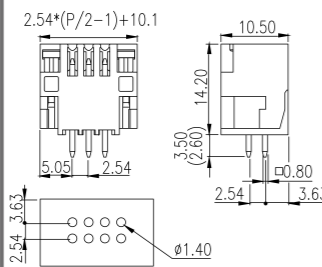
0156-12XX (0156-12XXL)



0156-13XX (0156-13XXL)



0156-16XX (0156-16XXL)

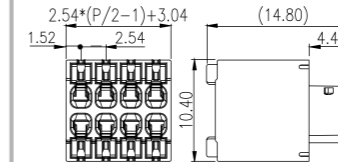


2.54mm

0157-1BXX



Technical Data	UL	IEC
Rated voltage	150V	160V
Rated current	6A	6A
Solid (AWG/mm ²)	26-18	0.2-0.5
Flexible (AWG/mm ²)	26-18	0.2-0.5
Rated impulse voltage	2.5KV	
Wire strip length	7-8mm	
Number of Positions		
04-32P		

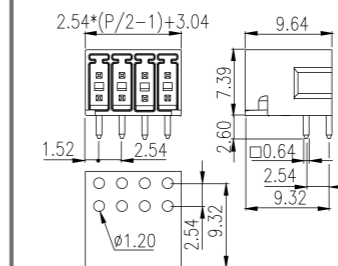


2.54mm

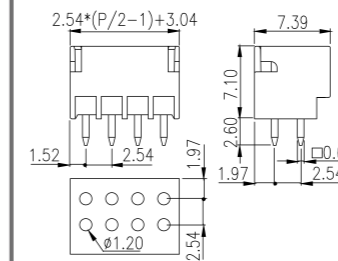
0157-15XXL



Technical Data	UL	IEC
Rated voltage	150V	160V
Rated current	6A	6A
Rated impulse voltage	2.5KV	
Number of Positions		
04-32P		

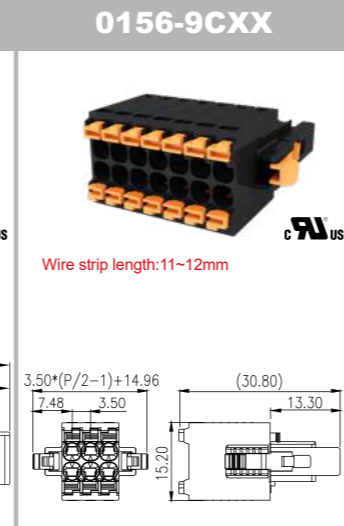
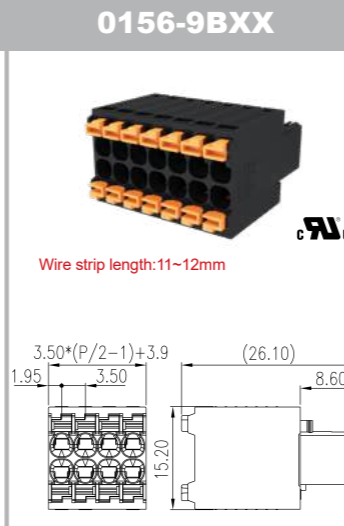
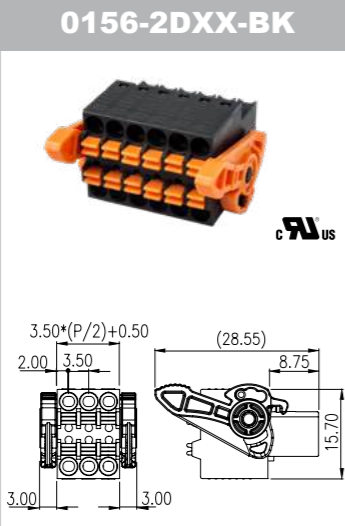
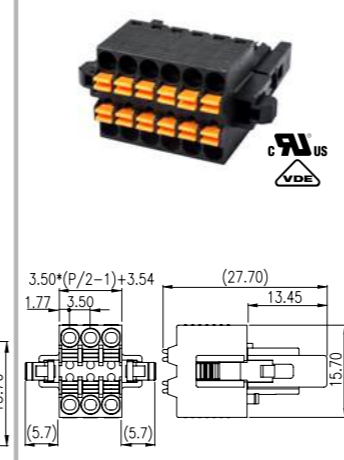
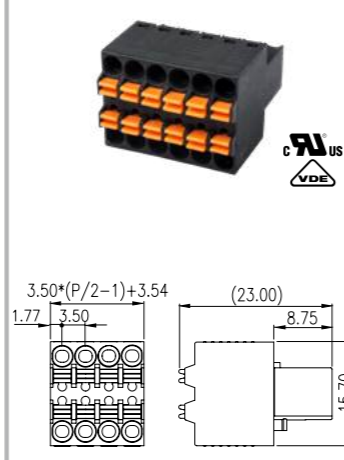
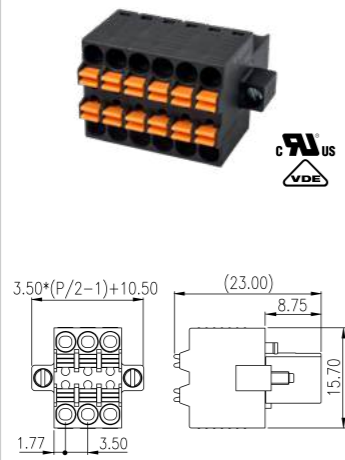


0157-10XXL



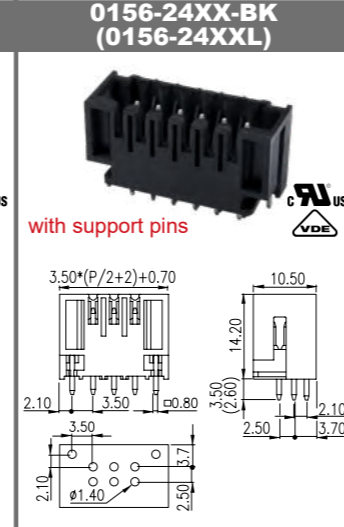
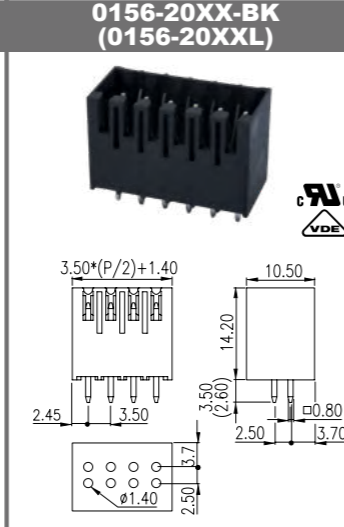
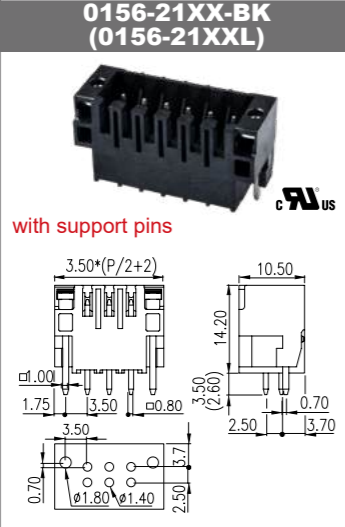
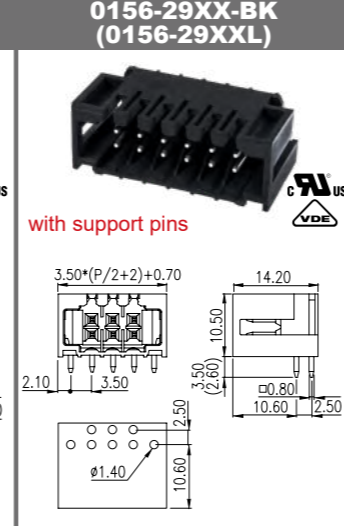
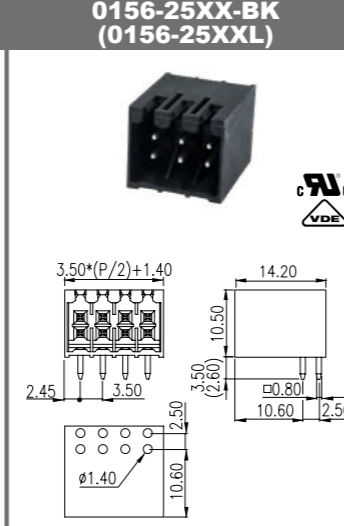
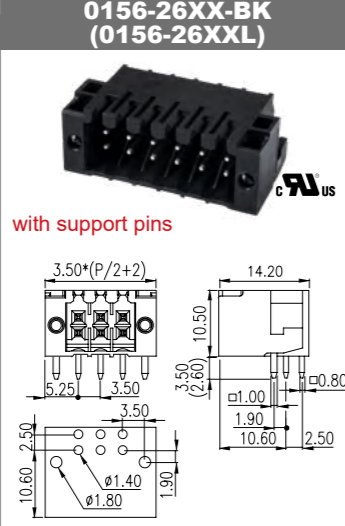
3.50mm

Technical Data	UL	IEC
Rated voltage	150V	320V
0156-2AXX-BK	150V	320V
0156-2BXX-BK		
0156-2CXX-BK		
0156-2DXX-BK		
0156-9BXX	300V	
0156-9CXX		
Rated current		
0156-2AXX-BK	8A	10A
0156-2BXX-BK		
0156-2CXX-BK		
0156-2DXX-BK		
0156-9BXX	10A	
0156-9CXX		
Solid (AWG/mm ²)	28-16	0.2-1.0
Flexible (AWG/mm ²)	28-16	0.2-1.5
Rated impulse voltage		2.5KV
Wire strip length	8-9mm	
Number of Positions		
0156-2AXX-BK	04-40P	
0156-2CXX-BK		
0156-2DXX-BK		
0156-9CXX		
0156-2BXX-BK	04-44P	
0156-9BXX		



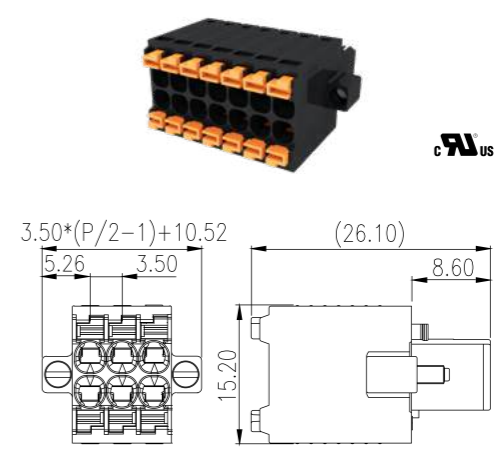
3.50mm

Technical Data	UL	IEC
Rated voltage	150V	320V
Rated current	10A	10A
Rated impulse voltage		2.5KV
Number of Positions		
0156-21XX-BK	04-40P	
0156-21XXL		
0156-24XX-BK		
0156-24XXL		
0156-26XX-BK	04-44P	
0156-26XXL		
0156-29XX-BK		
0156-29XXL		
0156-20XX-BK	04-44P	
0156-20XXL		
0156-25XX-BK		
0156-25XXL		



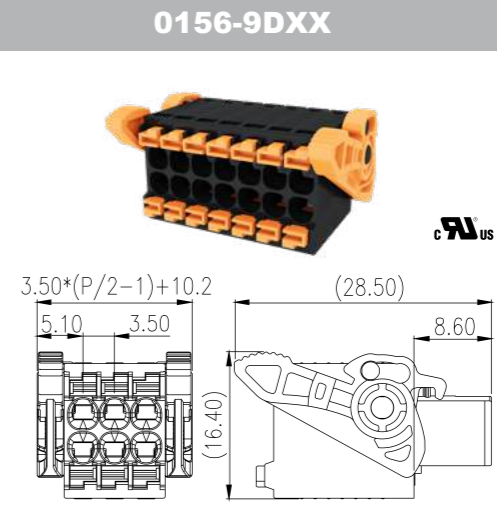
3.50mm

Technical Data	UL	IEC
Rated voltage	300V	320V
Rated current	10A	10A
Solid (AWG/mm ²)	26-16	0.2-1.5
Flexible (AWG/mm ²)	26-16	0.2-1.5
Rated impulse voltage		2.5KV
Wire strip length	11-12mm	
Number of Positions	04-40P	



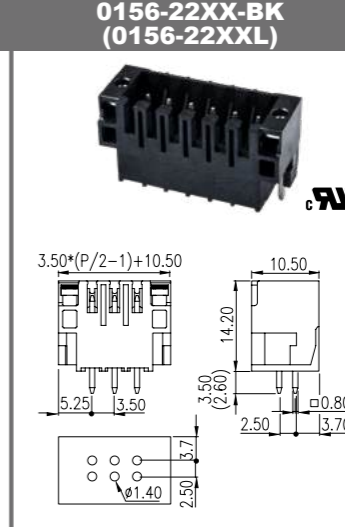
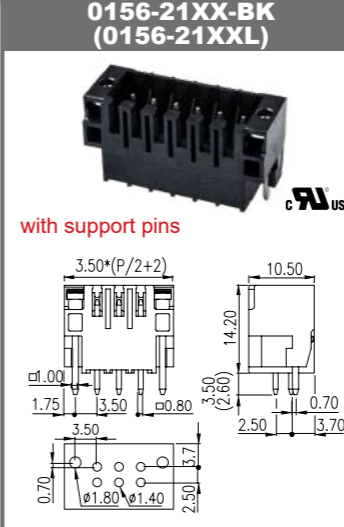
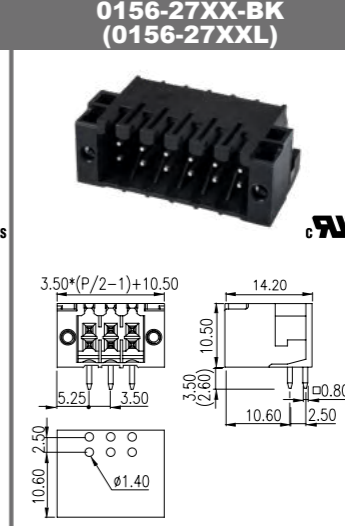
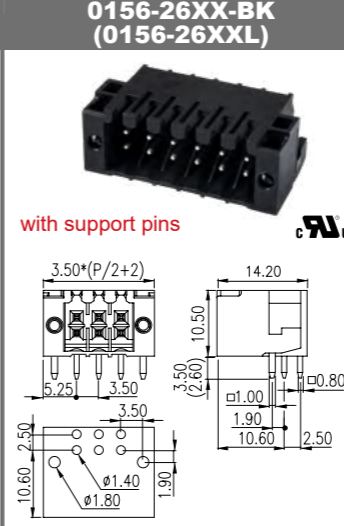
3.50mm

Technical Data	UL	IEC
Rated voltage	150V	320V
Rated current	10A	10A
Rated impulse voltage		2.5KV
Number of Positions	04-40P	



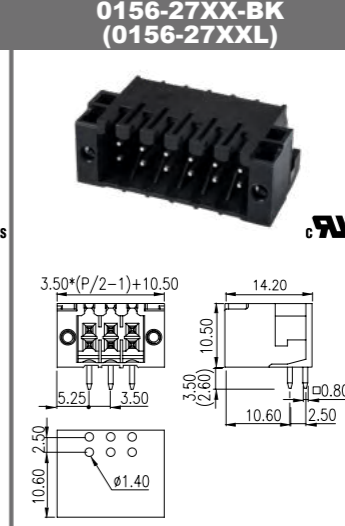
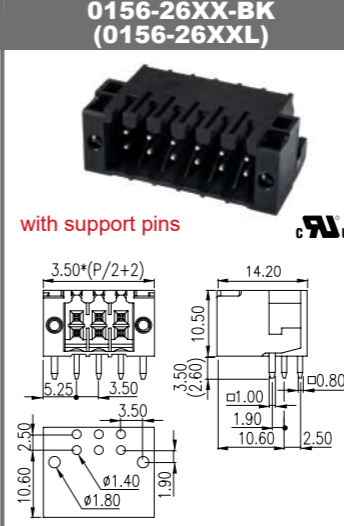
3.50mm

Technical Data	UL	IEC
Rated voltage	150V	320V
Rated current	10A	10A
Rated impulse voltage		2.5KV
Number of Positions	04-40P	



3.50mm

Technical Data	UL	IEC
Rated voltage	150V	320V
Rated current	10A	10A
Rated impulse voltage		2.5KV
Number of Positions	04-40P	

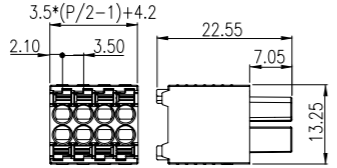
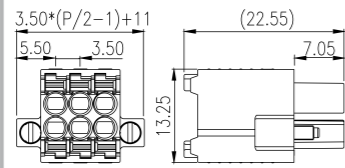


3.50mm

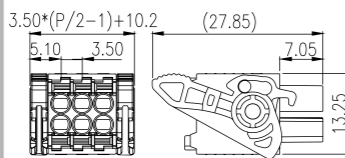
0159-01XX

0159-03XX

Technical Data	UL	IEC
Rated voltage	300V	320V
Rated current	10A	8A
Solid (AWG/mm ²)	24~16	0.2~1.5
Flexible (AWG/mm ²)	24~16	0.2~1.5
Rated impulse voltage	2.5KV	
Wire strip length	9~10mm	
Number of Positions		
04~40P		



0159-04XX



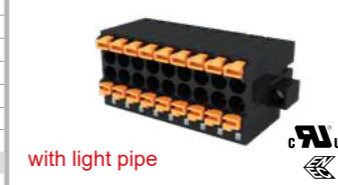
3.50mm

0159-05XX

0159-07XX

0159K1L

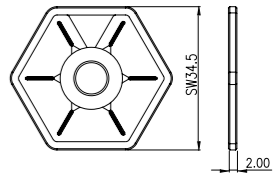
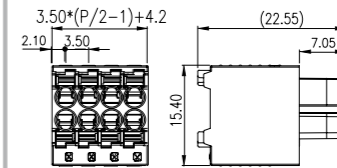
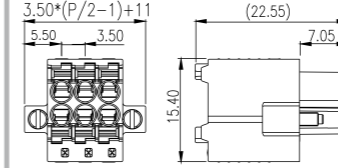
Technical Data	UL	IEC
Rated voltage	300V	320V
Rated current	8A	8A
Solid (AWG/mm ²)	24~16	0.2~1.5
Flexible (AWG/mm ²)	24~16	0.2~1.5
Rated impulse voltage	2.5KV	
Wire strip length	9~10mm	
Number of Positions		
04~40P		



with light pipe



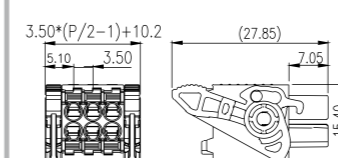
with light pipe



0159-08XX



with light pipe



3.50mm

0159-11XX (0159-11XXL)

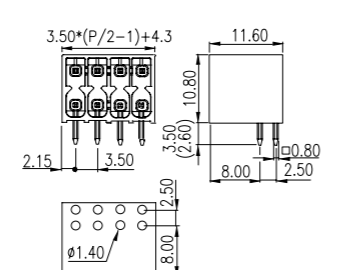
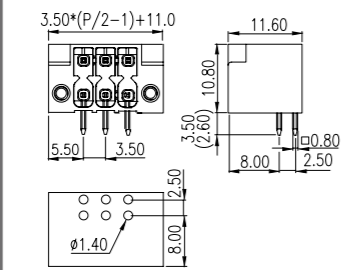
0159-31XX (0159-31XXL)

3.50mm

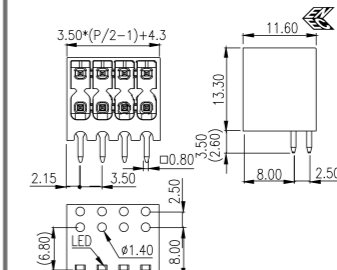
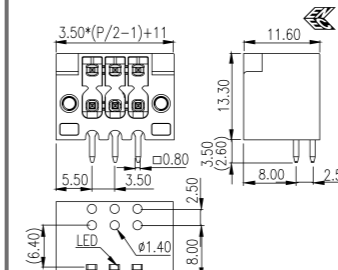
0159-13XX (0159-13XXL)

0159-33XX (0159-33XXL)

Technical Data	UL	IEC
Rated voltage	300V	320V
Rated current	8A	8A
Rated impulse voltage	2.5KV	
Number of Positions		
04~40P		

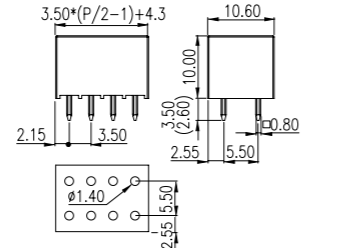
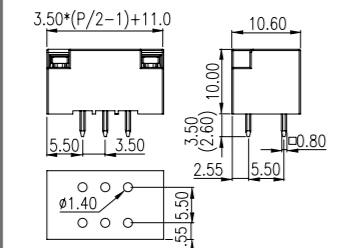


Technical Data	UL	IEC
Rated voltage	300V	320V
Rated current	8A	8A
Rated impulse voltage	2.5KV	
Number of Positions		
04~40P		



0159-12XX (0159-12XXL)

0159-32XX (0159-32XXL)



PID Plugs & Sockets - Slim Type



Connection method:

Push-in connection

Pitch: 3.50mm /

5.00mm /

5.08mm

UL Rated: 300V / 8A ~
300V / 15A

IEC Rated: 320V / 14A ~
600V / 18A

- Double-level plug and socket

- Options with LED light pipe for indication

- Versions with screw flange and lock flange

- THR version socket is available, pin length 2.6mm (The last suffix "L" represents THR version.)

3.50mm			0225-01XX	0225-02XX	0225-03XX	0225-06XX	0225-07XX	0225-08XX																								
<table border="1"> <tr><td>Technical Data</td><td>UL</td><td>IEC</td></tr> <tr><td>Rated voltage</td><td>300V</td><td>630V</td></tr> <tr><td>Rated current</td><td>8A</td><td>15A</td></tr> <tr><td>Solid (AWG/mm²)</td><td>28-16</td><td>0.2-1.5</td></tr> <tr><td>Flexible (AWG/mm²)</td><td>28-16</td><td>0.2-1.5</td></tr> <tr><td>Rated impulse voltage</td><td></td><td>4KV</td></tr> <tr><td>Wire strip length</td><td colspan="2">8-9mm</td></tr> <tr><td>Number of Positions</td><td colspan="2">02-24P</td></tr> </table> <p>• The product integrates light pipe for better indication</p>	Technical Data	UL	IEC	Rated voltage	300V	630V	Rated current	8A	15A	Solid (AWG/mm ²)	28-16	0.2-1.5	Flexible (AWG/mm ²)	28-16	0.2-1.5	Rated impulse voltage		4KV	Wire strip length	8-9mm		Number of Positions	02-24P									
Technical Data	UL	IEC																														
Rated voltage	300V	630V																														
Rated current	8A	15A																														
Solid (AWG/mm ²)	28-16	0.2-1.5																														
Flexible (AWG/mm ²)	28-16	0.2-1.5																														
Rated impulse voltage		4KV																														
Wire strip length	8-9mm																															
Number of Positions	02-24P																															
	with light pipe	with light pipe	with light pipe	with light pipe																												
3.50mm			0225-13XX (0225-13XXL)	0225-23XX (0225-23XXL)	0225-33XX (0225-33XXL)	0225-16XX (0225-16XXL)	0225-26XX (0225-26XXL)	0225-36XX (0225-36XXL)																								
<table border="1"> <tr><td>Technical Data</td><td>UL</td><td>IEC</td></tr> <tr><td>Rated voltage</td><td>300V</td><td>630V</td></tr> <tr><td>Rated current</td><td>8A</td><td>15A</td></tr> <tr><td>Rated impulse voltage</td><td></td><td>4KV</td></tr> <tr><td>Number of Positions</td><td colspan="2">02-24P</td></tr> </table>	Technical Data	UL	IEC	Rated voltage	300V	630V	Rated current	8A	15A	Rated impulse voltage		4KV	Number of Positions	02-24P																		
Technical Data	UL	IEC																														
Rated voltage	300V	630V																														
Rated current	8A	15A																														
Rated impulse voltage		4KV																														
Number of Positions	02-24P																															
				with support pins																												
3.50mm			0225-14XX (0225-14XXL)	0225-24XX (0225-24XXL)	0225-34XX (0225-34XXL)	0225-17XX (0225-17XXL)	0225-27XX (0225-27XXL)	0225-37XX (0225-37XXL)																								
				with support pins																												
ACCESSORIES																																
			0225K1	0225K3	0225K2L	0225K4L																										

5.00mm

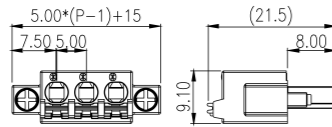
Technical Data	UL	IEC
Rated voltage	300V	630V
Rated current	10A	17.5A
Solid (AWG/mm ²)	24~16	0.2~1.5
Flexible (AWG/mm ²)	24~16	0.2~1.5
Rated impulse voltage	4KV	
Wire strip length	8~9mm	
Number of Positions		
02~16P		
Accessories		
0225K1	P24	
0225K3	P24	

• The product integrates light pipe for better indication

0226-01XX



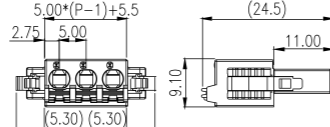
with light pipe



0226-02XX



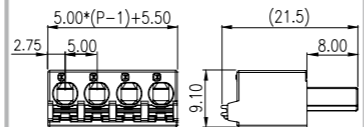
with light pipe



0226-03XX



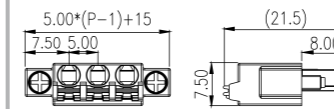
with light pipe



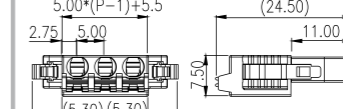
5.00mm

Technical Data	UL	IEC
Rated voltage	300V	630V
Rated current	10A	17.5A
Solid (AWG/mm ²)	24~16	0.2~1.5
Flexible (AWG/mm ²)	24~16	0.2~1.5
Rated impulse voltage	4KV	
Wire strip length	8~9mm	
Number of Positions		
02~16P		
Accessories		
0225K1	P24	
0225K3	P24	

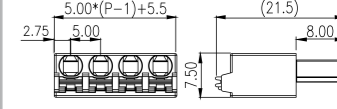
0226-06XX



0226-07XX



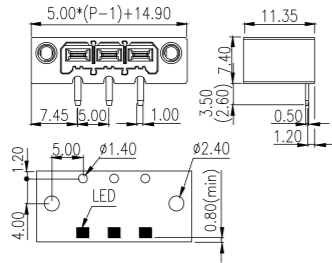
0226-08XX



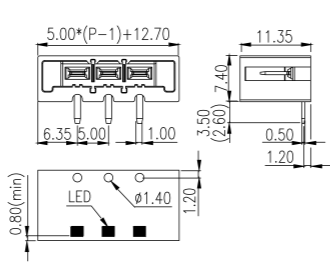
5.00mm

Technical Data	UL	IEC
Rated voltage	300V	630V
Rated current	10A	17.5A
Rated impulse voltage	4KV	
Torque (N-m)		
Number of Positions		
02~16P		
Accessories		
0227K2L	P28	

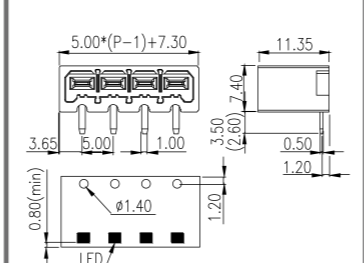
0226-13XX (0226-13XXL)



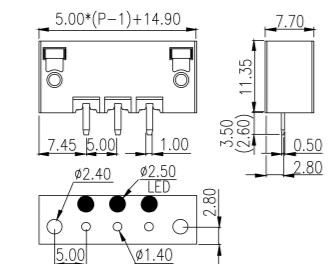
0226-23XX (0226-23XXL)



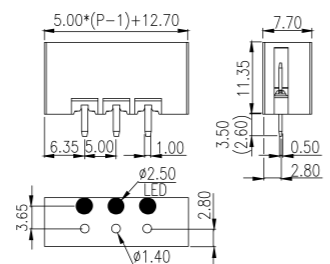
0226-33XX (0226-33XXL)



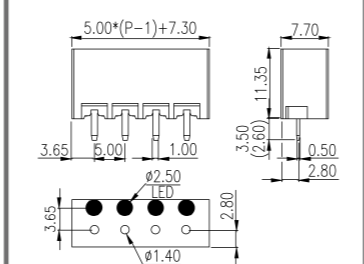
0226-14XX (0226-14XXL)



0226-24XX (0226-24XXL)



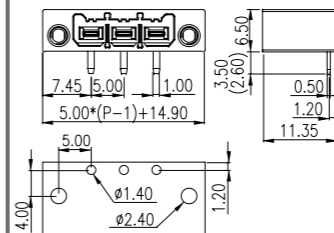
0226-34XX (0226-34XXL)



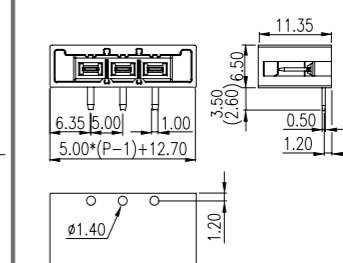
5.00mm

Technical Data	UL	IEC
Rated voltage	300V	630V
Rated current	10A	17.5A
Rated impulse voltage	4KV	
Number of Positions		
02~16P		
Accessories		
0225K2L	P24	
0225K4L	P24	

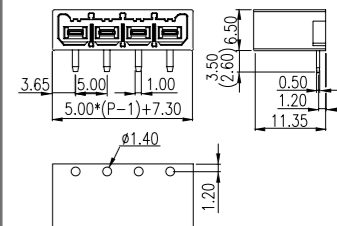
0226-16XX (0226-16XXL)



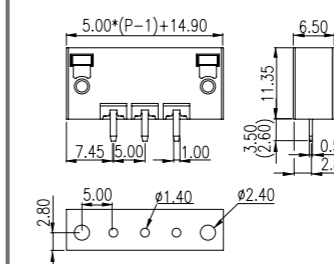
0226-26XX (0226-26XXL)



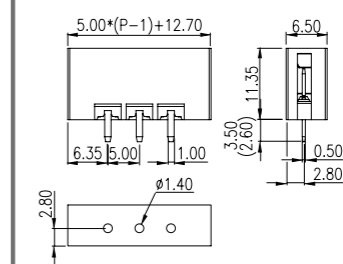
0226-36XX (0226-36XXL)



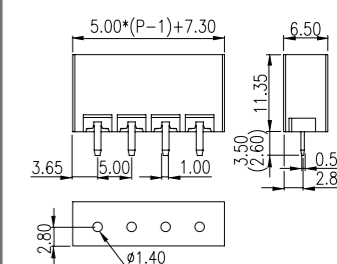
0226-17XX (0226-17XXL)







0226-27XX (0226-27XXL)







0226-37XX (0226-37XXL)









5.00mm			0227-01XX	0227-02XX	0227-03XX
Technical Data	UL	IEC			
Rated voltage	300V	630V			
Rated current	15A	18A			
Solid (AWG/mm ²)	26~12	0.2~2.5			
Flexible (AWG/mm ²)	26~12	0.2~2.5			
Rated impulse voltage	4KV				
Wire strip length	12~13mm				
Number of Positions					
0227-02XX	02~16P				
0227-01XX	02~24P				
0227-03XX					
0227-04XX					
Accessories					
0227K1	P27				





5.00mm			0227-04XX		
Technical Data	UL	IEC		with light pipe	cUL US
Rated voltage	300V	630V			
Rated current	15A	18A			
Solid (AWG/mm ²)	26~12	0.2~2.5			
Flexible (AWG/mm ²)	26~12	0.2~2.5			
Rated impulse voltage	4KV				
Wire strip length	12~13mm				
Number of Positions					
0227-04XX	02~24P				
Accessories					
0227K1	P27				





5.00mm			0227-06XX	0227-07XX	0227-08XX
Technical Data	UL	IEC			
Rated voltage	300V	630V			
Rated current	15A	18A			
Solid (AWG/mm ²)	26~12	0.2~2.5			
Flexible (AWG/mm ²)	26~12	0.2~2.5			
Rated impulse voltage	4KV				
Wire strip length	12~13mm				
Number of Positions					
0227-07XX	02~16P				
0227-06XX	02~24P				
0227-08XX					
0227-09XX					
Accessories					
0227K1	P27				

5.00mm			0227-09XX		
Technical Data	UL	IEC		with light pipe	cUL US
Rated voltage	300V	630V			
Rated current	15A	18A			
Solid (AWG/mm ²)	26~12	0.2~2.5			
Flexible (AWG/mm ²)	26~12	0.2~2.5			
Rated impulse voltage	4KV				
Wire strip length	12~13mm				
Number of Positions					
0227-09XX	02~24P				
Accessories					
0227K1	P27				

5.00mm			0227-13XX (0227-13XXL)	0227-23XX (0227-23XXL)	0227-33XX (0227-33XXL)
Technical Data	UL	IEC			
Rated voltage	300V	630V			
Rated current	15A	18A			
Rated impulse voltage	4KV				
Wire strip length	12~13mm				
Number of Positions					
0227-13XX	02~16P				
0227-13XXL					
0227-23XX					
0227-23XXL					
0227-24XX					
0227-24XXL					
0227-33XX					
0227-33XXL					
0227-14XX	02~24P				
0227-14XXL					
0227-34XX					
0227-34XXL					
Accessories					
0227K2L	P28				

5.00mm			0227-16XX (0227-16XXL)	0227-26XX (0227-26XXL)	0227-36XX (0227-36XXL)
Technical Data	UL	IEC			
Rated voltage	300V	630V			
Rated current	15A	18A			
Rated impulse voltage	4KV				
Wire strip length	12~13mm				
Number of Positions					
0227-26XX	02~16P				
0227-26XXL					
0227-27XX					
0227-27XXL					
0227-16XX					
0227-16XXL					
0227-17XX					
0227-17XXL					
0227-36XX	02~24P				
0227-36XXL					
0227-37XX					
0227-37XXL					
Accessories					
0227K2L	P28				

0227K1			0227-14XX (0227-14XXL)	0227-24XX (0227-24XXL)	0227-34XX (0227-34XXL)			
								
with support pins								
cUL US								
Technical Data								
Rated voltage								
Rated current								
Rated impulse voltage								
Wire strip length								
Number of Positions								
0227-14XX								
0227-14XXL								
0227-24XX								
0227-24XXL								
0227-34XX								
0227-34XXL								
Accessories								
0227K2L								

0227K2L			0227-17XX (0227-17XXL)	0227-27XX (0227-27XXL)	0227-37XX (0227-37XXL)			
								
with support pins								
cUL US								
Technical Data								
Rated voltage								
Rated current								
Rated impulse voltage								
Wire strip length								
Number of Positions								
0227-17XX								
0227-17XXL								
0227-27XX								
0227-27XXL								
0227-37XX								
0227-37XXL								
Accessories								
0227K2L								

5.08mm

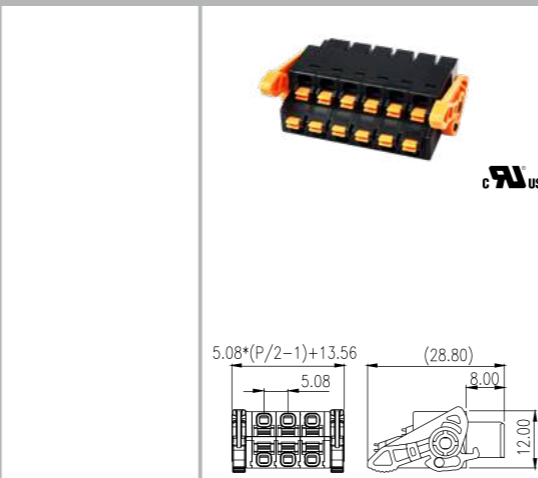
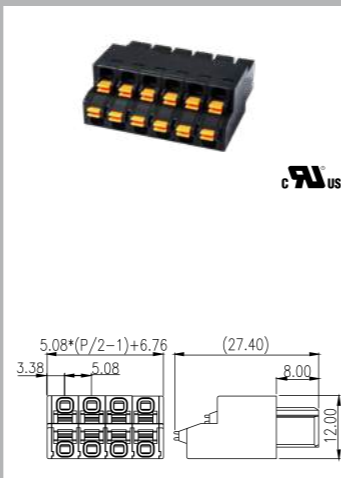
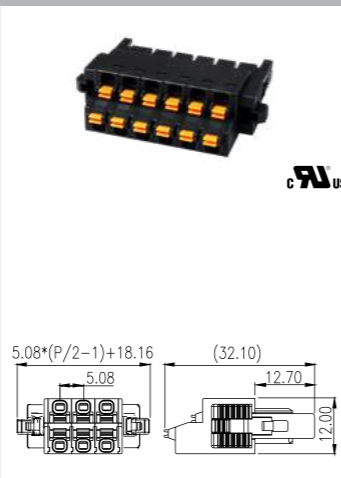
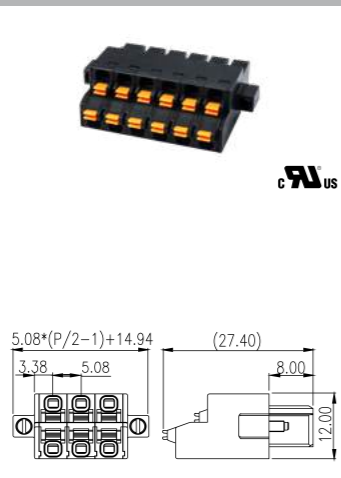
0225-04XX

0225-05XX

0225-09XX

0225-0AXX

Technical Data	UL	IEC
Rated voltage	300V	320V
Rated current	8A	
0225-04XX	14A	
0225-05XX	12A	
0225-09XX		
0225-0AXX		
0229-F4XX		
0229-F5XX		
0229-F9XX		
0229-FAXX		
Solid (AWG/mm ²)	28~16	0.2~1.5
Flexible (AWG/mm ²)	28~16	0.2~1.5
Rated impulse voltage	4KV	
Wire strip length	8~9mm	
Number of Positions	04~40P	
0225-04XX		
0225-05XX		
0225-09XX		
0225-0AXX		
0229-F4XX		
0229-F5XX		
0229-F9XX		
0229-FAXX		

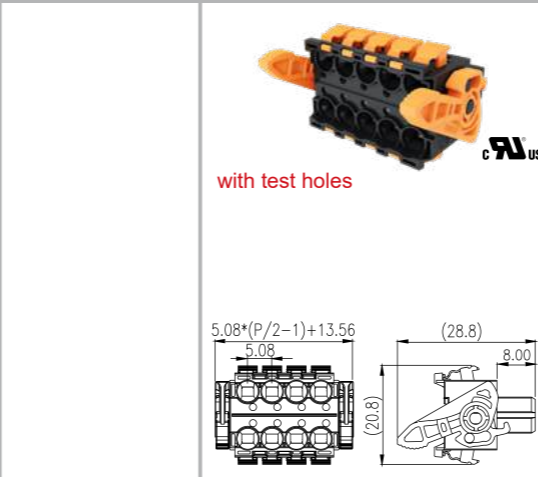
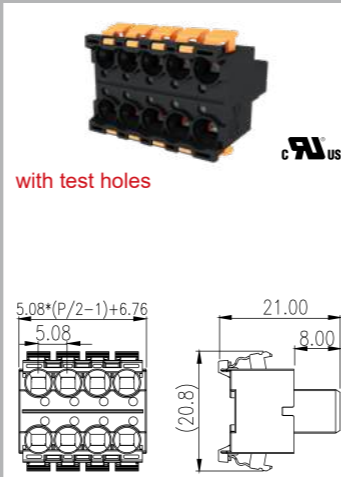
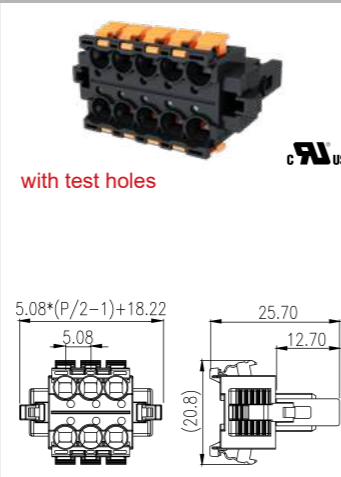
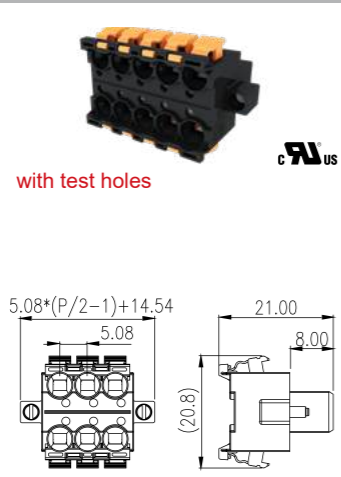


0229-F4XX

0229-F5XX

0229-F9XX

0229-FAXX



5.08mm

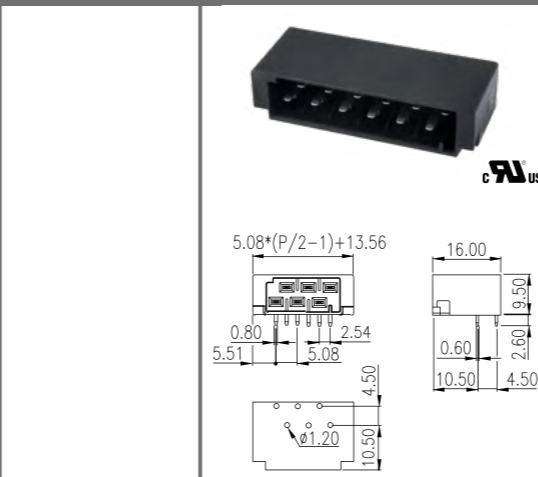
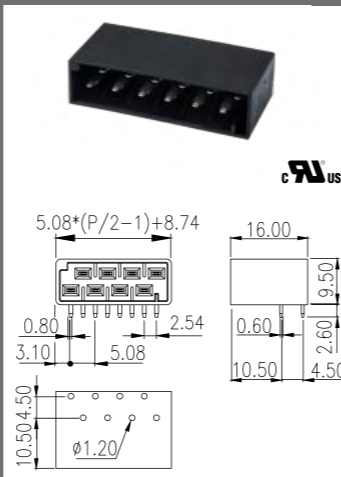
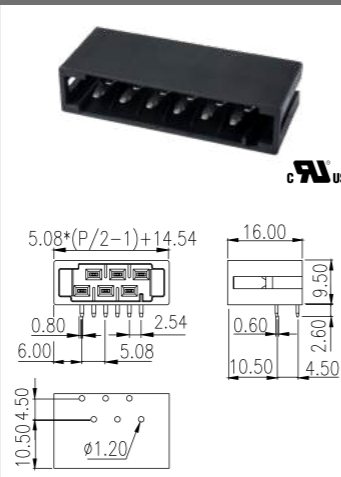
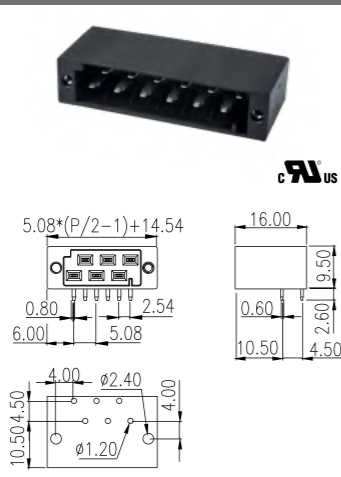
0225-46XX

0225-56XX

0225-66XX

0225-76XX

Technical Data	UL	IEC
Rated voltage	300V	320V
Rated current	12A	14A
Rated impulse voltage	4KV	
Number of Positions	04~40P	
0225-46XX		
0225-47XX		
0225-56XX		
0225-57XX		
0225-66XX		
0225-67XX		
0225-76XX		
0225-77XX		

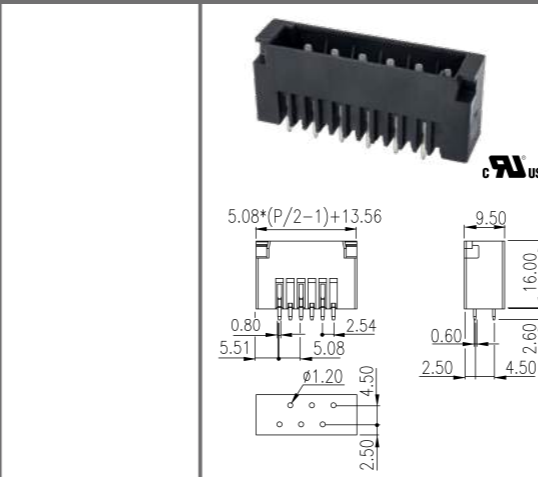
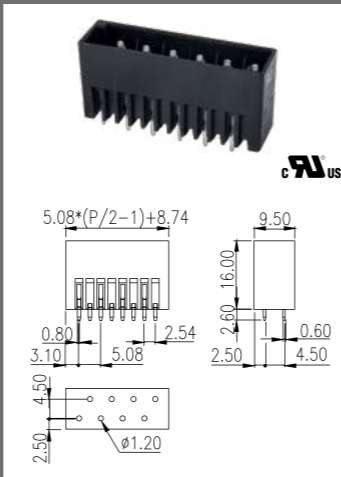
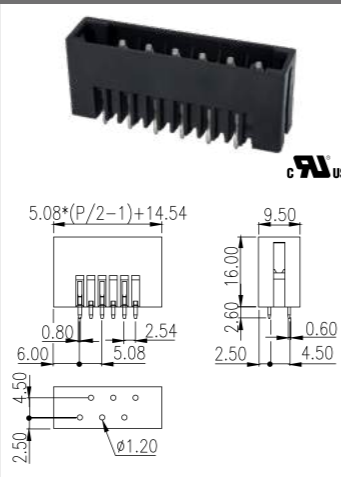
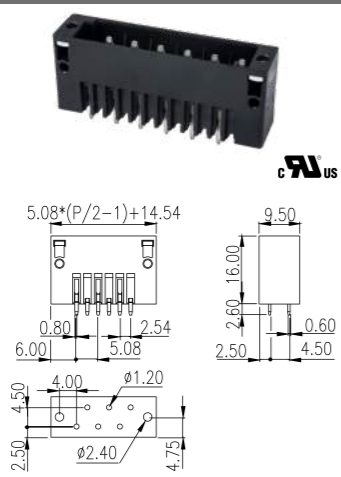


0225-47XX

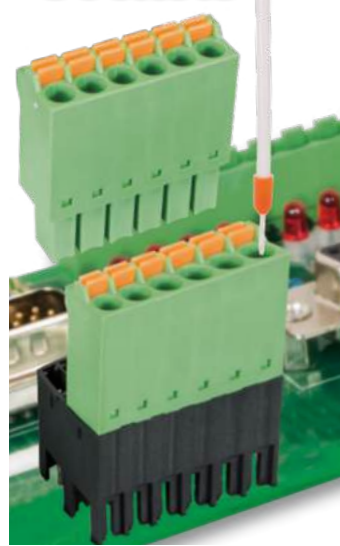
0225-57XX

0225-67XX

0225-77XX



PID Plugs & Sockets



Connection method:
Push-in connection

Pitch:
3.50mm / 3.81mm /
5.00mm / 5.08mm

UL Rated:
300V / 8A ~ 300V / 10A
IEC Rated:
320V / 8A ~ 600V / 18A


- Push-in connection single level plug, single, double and triple row socket
- Space saving flat design plug, only 7.7mm in height
- With testing hole suitable for 1mm Ø test probe
- The pin length for wave soldering socket is 3.50mm
- Through-hole reflow (THR) version socket is available, standard pin length 2.6mm (The last suffix "L" represents THR version.)

3.50mm		0221-20XX	0221-21XX	0221-24XX	0221-28XX	0221-29XX	
Technical Data	UL IEC						
Rated voltage	300V 320V						
Rated current	8A 8A						
Solid (AWG/mm²)	24~16 0.2~1.5						
Flexible (AWG/mm²)	24~16 0.2~1.5						
Rated impulse voltage	2.5KV						
Wire strip length	8~10mm						
Number of Positions	02~18P						
0221-21XX							
0221-20XX							
0221-24XX							
0221-28XX							
0221-29XX							
3.50mm		0221-22XX-BK (0221-22XXL)	0221-23XXL	ECH350RJ-XXP (ECH350RJ-XXPL)	0221-26XXL	0221-35XXL	ECH350VM-XXP (ECH350VM-XXPL)
Technical Data	UL IEC						
Rated voltage	300V 320V						
Rated current	8A 8A						
Rated impulse voltage	2.5KV						
Number of Positions	02~24P						
ECH350RJ-XXP							
ECH350RJ-XXPL							
ECH350VJ-XXP							
ECH350VJ-XXPL							
ECH350VM-XXP							
ECH350VM-XXPL							
ECH350RM-XXP							
ECH350RM-XXPL							
0221-22XX-BK							
0221-22XXL							
0221-23XXL							
0221-26XXL							
0221-35XXL							
0221-25XX-BK (0221-25XXL)							
Rated voltage	300V 320V						
Rated current	8A 8A						
Rated impulse voltage	2.5KV						
Number of Positions	04~48P						
ECH350H-XXP							
ECH350R-XXP							
ECH350R-XXPL							
ECH350V-XXP							
ECH350V-XXPL							
ECH350RR-XXP							
ECH350RR-XXPL							
0221-25XX-BK							
0221-25XXL							
0221-27XX-BK							
0221-27XXL							
0221-41XX-BK (0221-41XXL)							
Accessories							
ECHK1	P66						
ECHK1L	P66						
		Socket		Socket		Socket	
		ECH350H-XXP	P70	ECH350VT-XXPL	P70	ECH350RM-XXP	P32
		ECH350R-XXP	P69	Please refer to the related page number for the compatible headers.		ECH350RM-XXPL	P32
		ECH350R-XXPL	P69			ECH350VM-XXP	P32
		ECH350V-XXP	P69			ECH350VM-XXPL	P32
		ECH350V-XXPL	P69			ECH350RRM-XXP	P69
		ECH350RR-XXP	P69			ECH350RRM-XXPL	P69
		ECH350RR-XXPL	P69			Please refer to the related page number for the compatible headers.	
		Please refer to the related page number for the compatible headers.					

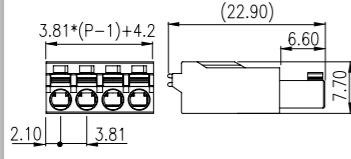
3.81mm

Technical Data	UL	IEC
Rated voltage	300V	320V
Rated current	8A	8A
Solid (AWG/mm ²)	24~16	0.2~1.5
Flexible (AWG/mm ²)	24~16	0.2~1.5
Rated impulse voltage	2.5KV	
Wire strip length	8~10mm	
Number of Positions	02~24P	


0221-42XX



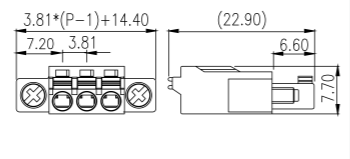
UL **US**




0221-43XX



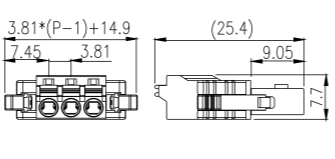
UL **US**



0221-44XX




UL **US**



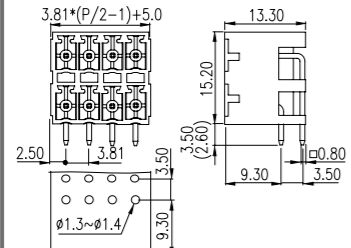
3.81mm

Technical Data	UL	IEC
Rated voltage	300V	320V
Rated current	8A	8A
Rated impulse voltage	2.5KV	
Number of Positions	02~24P	
ECH381RJ-XXP	02~24P	
ECH381RJ-XXPL		
ECH381VJ-XXP		
ECH381VJ-XXPL		
0221-33XX-BK		
0221-33XXL		
0221-39XX-BK		
0221-39XXL		
0221-51XX-BK		
0221-51XXL		
0221-52XX-BK		
0221-52XXL		
Accessories	P66	
ECHK1	P66	
ECHK1L	P66	


0221-33XX-BK (0221-33XXL)



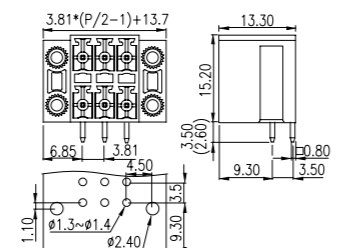
UL **US**




0221-51XX-BK (0221-51XXL)



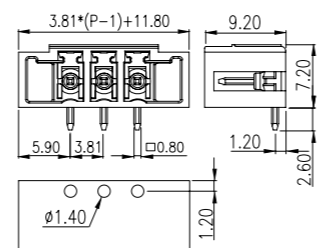
UL **US**




ECH381RJ-XXP (ECH381RJ-XXPL)



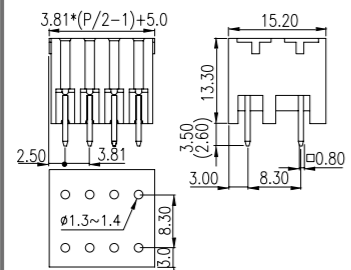
UL **US**




0221-39XX-BK (0221-39XXL)



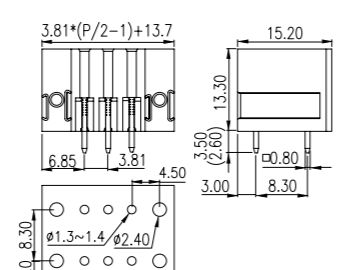
UL **US**




0221-52XX-BK (0221-52XXL)



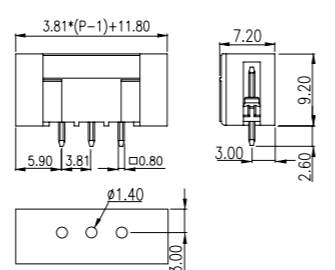
UL **US**



ECH381VJ-XXP (ECH381VJ-XXPL)




UL **US**



Socket

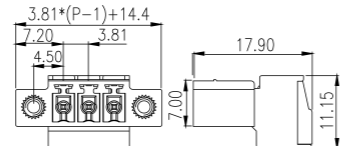
ECH381A-XXP	P72
ECH381H-XXP	P72
ECH381R-XXP	P71
ECH381R-XXPL	P71
ECH381V-XXP	P71
ECH381V-XXPL	P71
ECH381RR-XXP	P71
ECH381RR-XXPL	P71

ECSH381VM-XXP



UL **US**

Refer to P.122




Please refer to the related page number for the compatible headers.

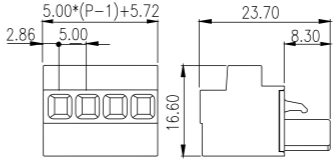
5.00mm

Technical Data	UL	IEC
Rated voltage	300V	600V
Rated current	10A	18A
Solid (AWG/mm ²)	26~12	0.2~2.5
Flexible (AWG/mm ²)	26~12	0.2~2.5
Rated impulse voltage	4KV	
Wire strip length	10~11mm	
Number of Positions	02~24P	
Accessories	P66	
ESDK1	P66	
ESDK2	P66	


5ESV-XXP



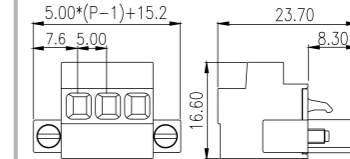
UL **US**




5ESVM-XXP



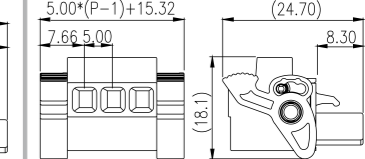
UL **US**




5ESVK-XXP



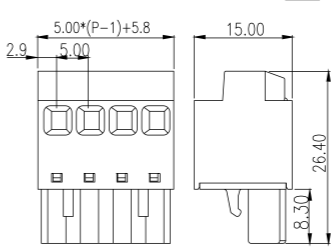
UL **US**




5ESR-XXP



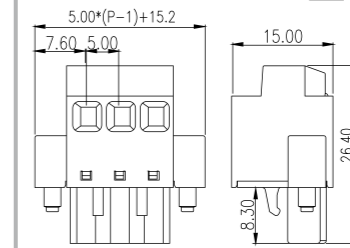
UL **US**




5ESRM-XXP



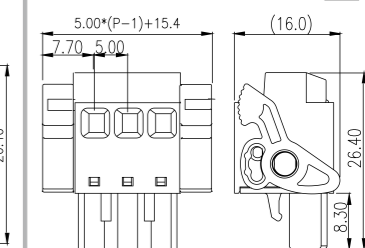
UL **US**



5ESRK-XXP



UL **US**



Socket

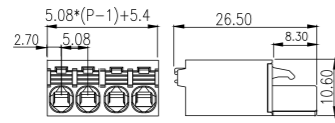
5EHDR-XXP	P73	5EHDKPM-XXP	P82
5EHDR-XXPL	P73	5EHDRM-XXP	P74
5EHDR-XXPL	P73	5EHDRM-XXPL	P74
5EHDR-XXPL	P73	5EHDVM-XXP	P74
5EHDR-XXPL	P73	5EHDVM-XXPL	P74
5EHDR-XXPL	P73	Please refer to the related page number for the compatible headers.	
5EHDR-XXPL	P73		
5EHDR-XXPL	P73		
5EHDR-XXPL	P73		
5EHDR-XXPL	P73		

Please refer to the related page number for the compatible headers.

5.08mm

2ESS-XXP

Technical Data	UL	IEC
Rated voltage	300V	630V
Rated current	15A	18A
Solid (AWG/mm ²)	24~12	0.2~2.5
Flexible (AWG/mm ²)	24~12	0.2~2.5
Rated impulse voltage		4KV
Wire strip length	10~11mm	
Number of Positions		
02~24P		
Accessories		
ESDK1	P66	
ESDK2	P66	

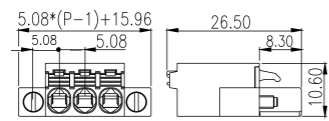


Socket

2EHDA-XXP	P75
2EHDAC-XXP	P75
2EHDR-XXP	P76
2EHDR-XXPL	P76
2EHDRC-XXP	P76
2EHDRC-XXPL	P76
2EHDV-XXP	P76
2EHDV-XXPL	P76
2EHDVC-XXP	P76
2EHDVC-XXPL	P76

Please refer to the related page number for the compatible headers.

2ESSM-XXP



Socket

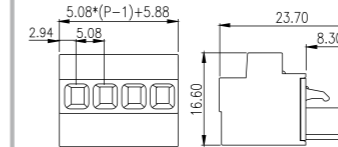
2EHDP-XXP	P81
2EHDRM-XXP	P76
2EHDRM-XXPL	P76
2EHDVM-XXP	P76
2EHDVM-XXPL	P76
2EHDRRM-XXPL	P76

Please refer to the related page number for the compatible headers.

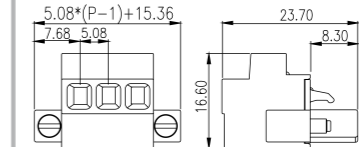
5.08mm

2ESV-XXP

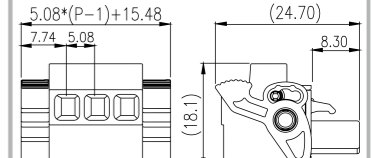
Technical Data	UL	IEC
Rated voltage	300V	600V
Rated current	10A	18A
Solid (AWG/mm ²)	26~12	0.2~2.5
Flexible (AWG/mm ²)	26~12	0.2~2.5
Rated impulse voltage		4KV
Wire strip length	10~11mm	
Number of Positions		
02~24P		
Accessories		
ESDK1	P66	
ESDK2	P66	



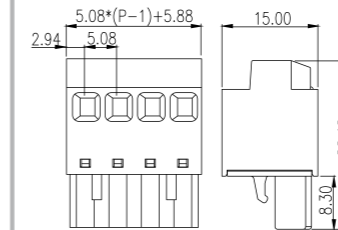
2ESVM-XXP



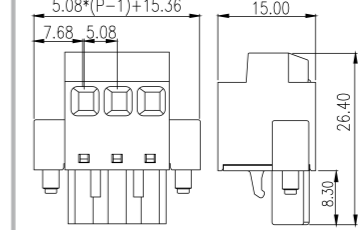
2ESVK-XXP



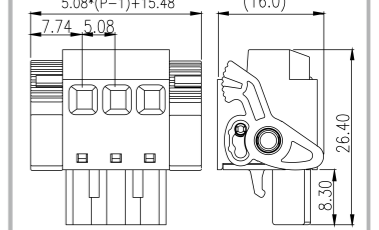
2ESR-XXP



2ESRM-XXP



2ESRK-XXP



Socket

2EHDA-XXP	P75
2EHDAC-XXP	P75
2EHDR-XXP	P76
2EHDR-XXPL	P76
2EHDRC-XXP	P76
2EHDRC-XXPL	P76
2EHDV-XXP	P76
2EHDV-XXPL	P76
2EHDVC-XXP	P76
2EHDVC-XXPL	P76

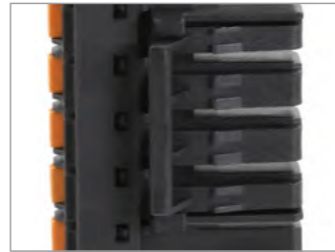
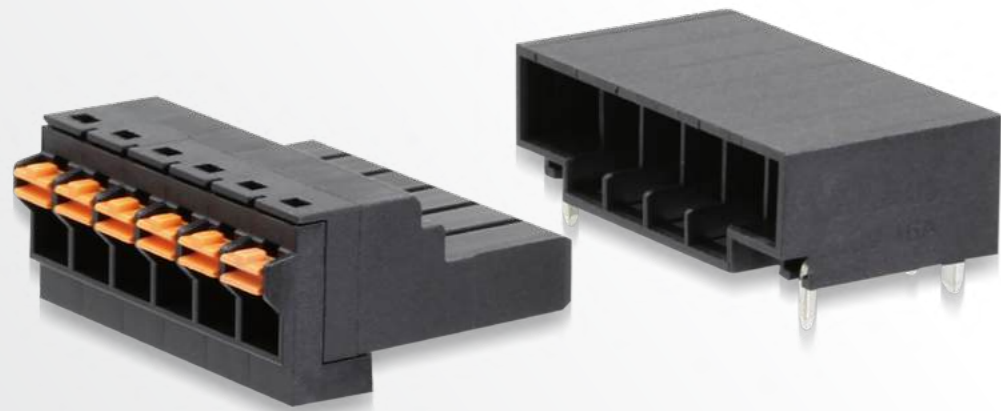
Please refer to the related page number for the compatible headers.

Socket

2EHDP-XXP	P81
2EHDRM-XXP	P76
2EHDRM-XXPL	P76
2EHDVM-XXP	P76
2EHDVM-XXPL	P76
2EHDRRM-XXPL	P76

Please refer to the related page number for the compatible headers.

PID Plugs & Sockets - Stable Type




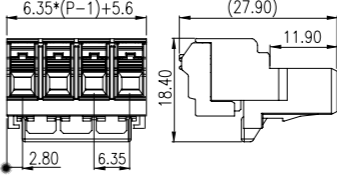

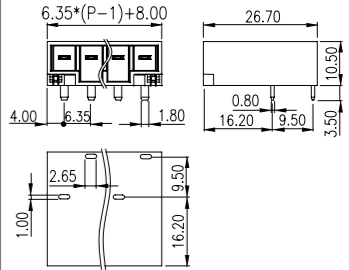
Easy clip design


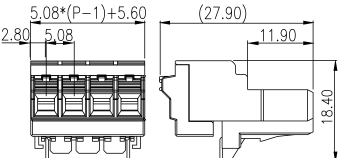

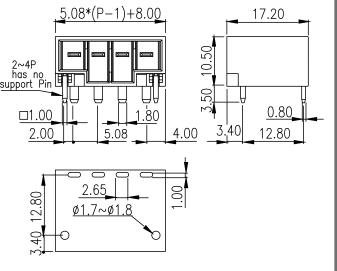



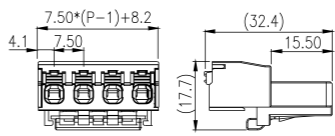

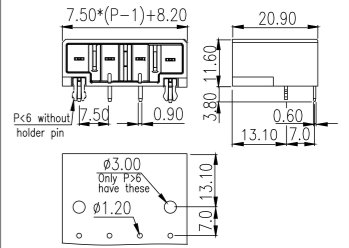
Strengthened mounting structure


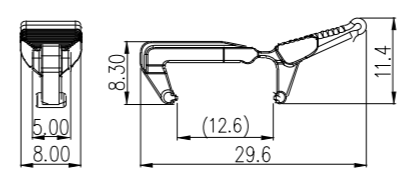

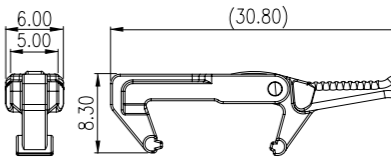
Connection method: Push-in connection
Pitch: 5.00mm / 5.08mm / 6.35mm / 7.50mm
UL Rated: 300V / 16A, 600V / 20A
IEC Rated: 320V / 20A, 1000V / 20A

- With lock flange directly beneath
- The plug is in minimum width to save space
- Release tool (SDH-002) allows wiring operation by single hand
- Additional support pins on both sides of The socket for extra strength

6.35mm			0150-30XX			6.35mm			0150-36XX		
Technical Data	UL	IEC	 	 	Rated voltage	600V	1000V	Rated voltage	600V	1000V	
Rated current	20A	20A			Rated current	20A	20A				
Solid (AWG/mm ²)	24~12	0.2~2.5			Rated impulse voltage	8KV	8KV				
Flexible (AWG/mm ²)	24~12	0.2~2.5			Number of Positions			02~12P			
Rated impulse voltage	8KV				Number of Positions			02~12P			
Wire strip length	11~12mm		Number of Positions			02~12P					
Number of Positions			02~12P			Number of Positions			02~12P		
02~12P			02~12P			02~12P			02~12P		

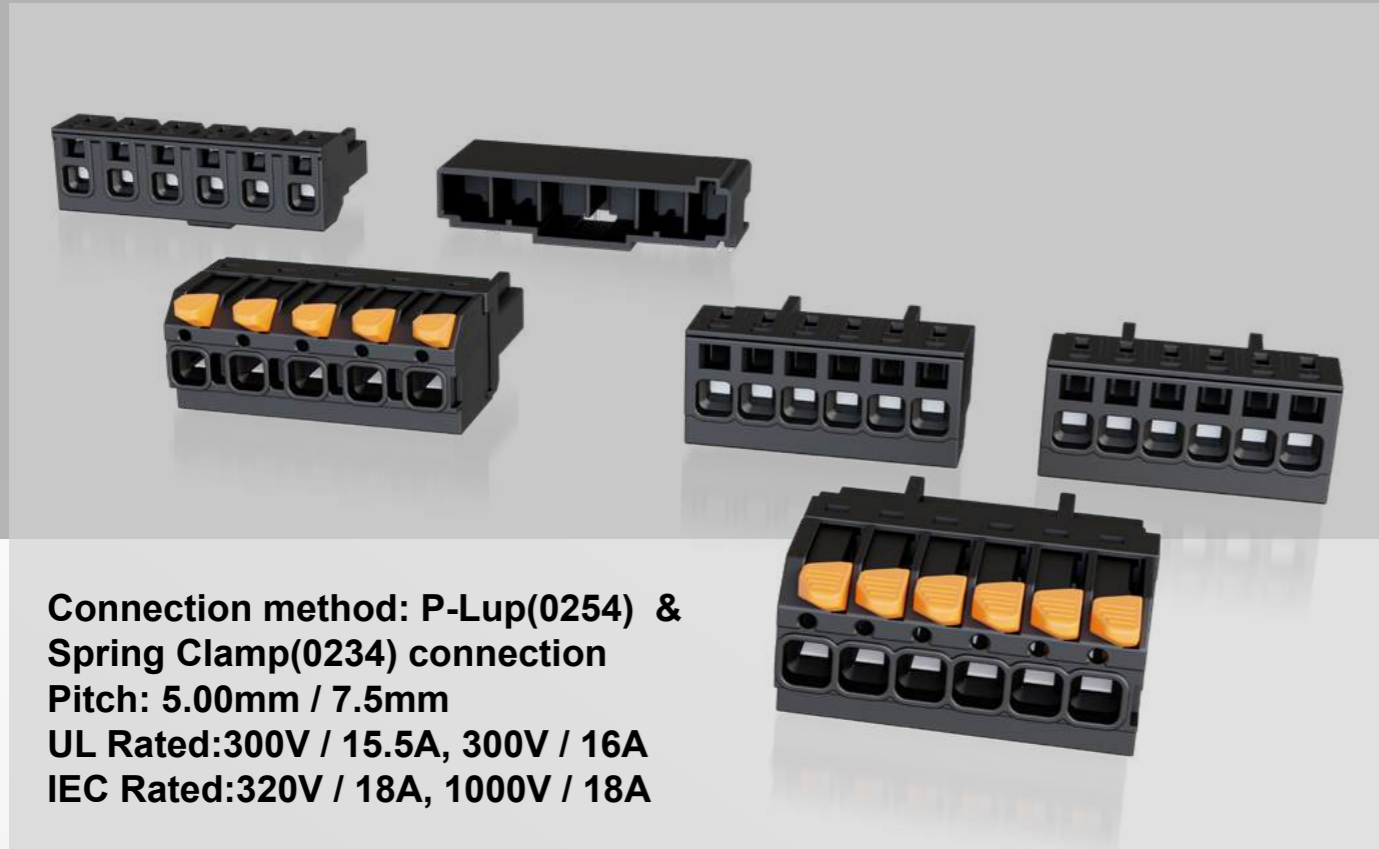
5.08mm			0150-20XX			5.08mm			0150-26XX		
Technical Data	UL	IEC	 	 	Rated voltage	300V	320V	Rated voltage	300V	320V	
Rated current	16A	20A			Rated current	16A	20A				
Solid (AWG/mm ²)	24~12	0.2~2.5			Rated impulse voltage	4KV	4KV				
Flexible (AWG/mm ²)	24~12	0.2~2.5			Number of Positions			02~24P			
Rated impulse voltage	4KV				0150-26XX			02~24P			
Wire strip length	11~12mm		0150-26XX			02~24P					
Number of Positions			02~24P			Number of Positions			02~24P		
02~24P			02~24P			02~24P			02~24P		

7.50mm			0150-40XX			7.50mm			0150-46XX		
Technical Data	UL	IEC	 	 	Rated voltage	600V	630V	Rated voltage	300V	630V	
Rated current	15A	18A			Rated current	15A	18A				
Solid (AWG/mm ²)	20~12	0.5~2.5			Rated impulse voltage	6KV	6KV				
Flexible (AWG/mm ²)	20~12	0.5~2.5			Number of Positions			02~12P			
Rated impulse voltage	8KV				Number of Positions			02~12P			
Wire strip length	12~13mm		Number of Positions			02~12P					
Number of Positions			02~12P			Number of Positions			02~12P		
02~12P			02~12P			02~12P			02~12P		

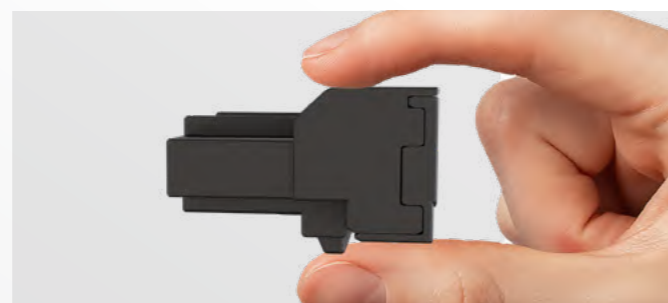
SDH-002 (for 0150 series only)		SDH-003 (for 0150 series only)	
Basic type	 	Durable type	 



Spring Clamp / P-Lup Plugs & Sockets - Stable Type



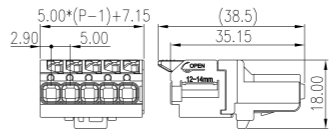
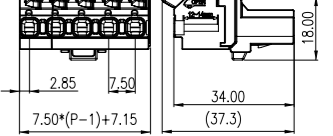


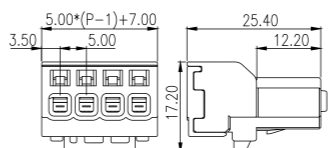
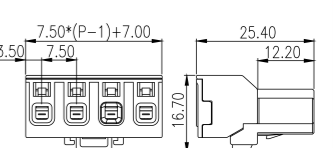


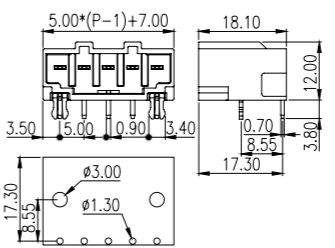
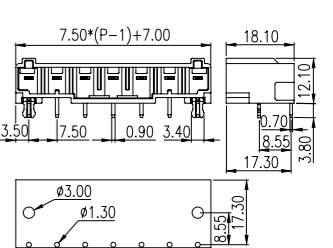


Connection method: P-Lup(0254) & Spring Clamp(0234) connection
Pitch: 5.00mm / 7.5mm
UL Rated:300V / 15.5A, 300V / 16A
IEC Rated:320V / 18A, 1000V / 18A



The plug features an innovative retractable spring clip and P-LUP mechanism, significantly enhancing user experience. The retractable spring clip ensures secure wiring and excellent vibration resistance, improving product safety and durability. The P-LUP design enables faster and easier cable insertion and removal, while the ergonomic handle enhances operational efficiency and reduces labor effort. This solution greatly reduces installation time, making it the optimal choice for professionals seeking high efficiency and superior quality.

The base adopts a push-lock mechanism that significantly reduces installation space requirements, maximizing spatial efficiency. The structure is robust yet lightweight and flexible, making it suitable for a wide range of installation environments. A distinct clicking sound upon engagement provides clear audible feedback, allowing users to confirm proper assembly with confidence. This enhances operational accuracy and efficiency, delivering a more intuitive and reliable experience for on-site installations.

5.00mm			0254-20XX			7.50mm			0254-30XX		
Technical Data	UL	IEC				Technical Data	UL	IEC			
Rated voltage	300V	320V				Rated voltage	300V	1000V			
Rated current	15.5A	18A				Rated current	16A	18A			
Solid (AWG/mm ²)	28~12	0.2~2.5				Solid (AWG/mm ²)	28~12	0.2~2.5			
Flexible (AWG/mm ²)	28~12	0.2~2.5				Flexible (AWG/mm ²)	28~12	0.2~2.5			
Rated impulse voltage		4KV				Rated impulse voltage		6KV			
Wire strip length	9~10mm		Number of Positions			Wire strip length	9~10mm		Number of Positions		
Number of Positions			02~14P			Number of Positions			02~12P		
			0234-20XX-MW						0234-30XX-MW		
											
											
			0234-26XX						0234-36XX		
											
											

PID Plugs & Sockets - Regular Type



Screw mounting flange for secure connection



Twin connection plug is available




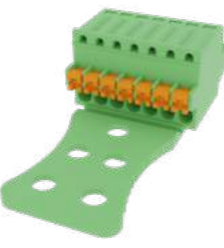
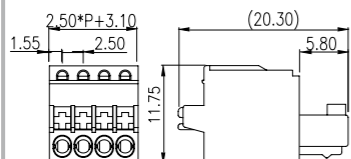
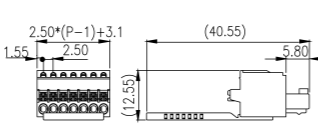
Plug can connect with reflow-solderable sockets

Connection method: Push-in connection
Pitch: 2.50mm / 3.50mm / 3.81mm / 5.00mm / 5.08mm / 7.62mm
UL Rated: 150V / 4A ~ 300V / 15A
IEC Rated: 320V / 12A ~ 800V / 15A




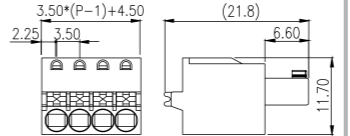
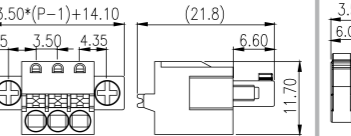
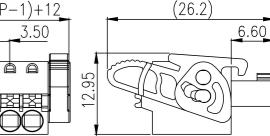



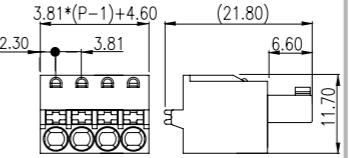
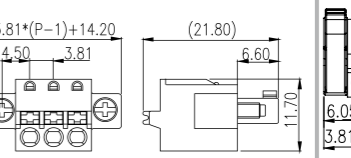
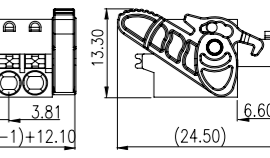
- Direct Push-in connection single-level and front twin connection plugs
- Mounting by screw flange and Release tool.
- With testing holes

Testing hole dimensions

Product series	Pitch(mm)	Hole Ø (mm)
ESC250	2.50	1.10
ESC350	3.50	1.25
ESC381	3.81	1.25
5ESDS	5.00	2.30
2ESDS	5.08	2.30
ESC508	5.08	1.25
3ESDS	7.62	2.30


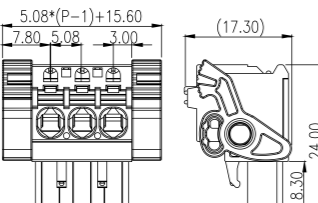
2.50mm			ESC250V-XXP	ESC250L-XXP	Socket	
Technical Data	UL	IEC			ECH250R-XXP	P68
Rated voltage	150V	320V			ECH250R-XXPL	P68
Rated current	4A	4A			ECH250V-XXP	P68
Solid (AWG/mm ²)	28~20	0.2~0.5			ECH250V-XXPL	P68
Flexible (AWG/mm ²)	28~20	0.2~0.5			ECHB250R-XXP	P68
Rated impulse voltage		2.5KV	ECHB250V-XXP	P68	Please refer to the related page number for the compatible headers.	
Wire strip length	8~9mm					
Number of Positions						
ESC250V-XXP					02~24P	
ESC250L-XXP					07~12P	

Build to order

3.50mm			ESC350V-XXP	ESC350VM-XXP	ESC350VK-XXP
Technical Data	UL	IEC			
Rated voltage	300V	500V			
Rated current	8A	10A			
Solid (AWG/mm ²)	28~16	0.2~1.5			
Flexible (AWG/mm ²)	28~16	0.2~1.5			
Rated impulse voltage		4KV	Number of Positions		
Wire strip length	9~10mm		02~24P		
Socket			Socket		
ECH350V-XXP	P69	ECH350VM-XXP	P32	ECH350VD-XXP	P69
ECH350V-XXPL	P69	ECH350VM-XXPL	P32	ECH350VM-XXPL	P32
ECHB350V-XXP	P70	ECHB350VM-XXP	P70	ECH350RD-XXP	P69
EECH350V-XXP	P70	EECH350VM-XXP	P70	ECH350RM-XXPL	P32
ECH350H-XXP	P70	ECH350RM-XXP	P32	Please refer to the related page number for the compatible headers.	
ECH350R-XXP	P69	ECH350RM-XXPL	P32		
ECH350R-XXPL	P69	ECHB350RM-XXP	P70		
ECHB350R-XXP	P70	EECH350RM-XXP	P70		
EECH350R-XXP	P70	ECH350RRM-XXP	P69		
ECH350RR-XXP	P69	ECH350RRM-XXPL	P69		
ECH350RR-XXPL	P69	Please refer to the related page number for the compatible headers.			
Please refer to the related page number for the compatible headers.					
					
					
3.81mm			ESC381V-XXP	ESC381VM-XXP	ESC381VK-XXP
Technical Data	UL	IEC			
Rated voltage	300V	500V			
Rated current	8A	10A			
Solid (AWG/mm ²)	28~16	0.2~1.5			
Flexible (AWG/mm ²)	28~16	0.2~1.5			
Rated impulse voltage		4KV	Number of Positions		
Wire strip length	9~10mm		02~20P		
Socket			Socket		
ECH381A-XXP	P72	ECH381AM-XXP	P72	ECHB381RRD-XXP	P72
ECH381H-XXP	P72	ECH381RM-XXP	P71	Please refer to the related page number for the compatible headers.	
ECH381R-XXP	P71	ECH381RM-XXPL	P71		
ECH381R-XXPL	P71	ECH381VM-XXP	P71		
ECH381V-XXP	P71	ECH381VM-XXPL	P71		
ECH381V-XXPL	P71	Please refer to the related page number for the compatible headers.			
Please refer to the related page number for the compatible headers.					
					
					


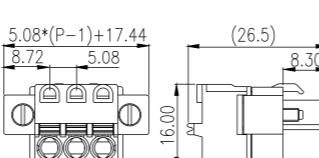
5.08mm 2ESDSVK-XXP

Technical Data	UL	IEC
Rated voltage	300V	630V
Rated current	10A	18A
Solid (AWG/mm ²)	26~12	0.2~2.5
Flexible (AWG/mm ²)	26~12	0.2~2.5
Rated impulse voltage		4KV
Wire strip length	12~13mm	
Number of Positions		
02~24P		
Accessories		
ESDK1	P66	
ESDK2	P66	


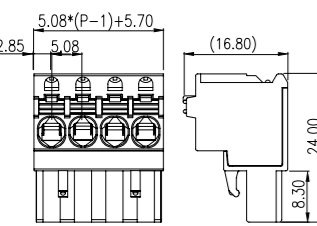



5.08mm 0121-01XX


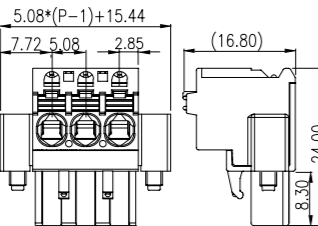
Technical Data	UL	IEC
Rated voltage	300V	1000V
Rated current	10A	12A
Solid (AWG/mm ²)	26~12	0.2~2.5
Flexible (AWG/mm ²)	26~12	0.2~2.5
Rated impulse voltage		6KV
Wire strip length	11~12mm	
Number of Positions		
02~24P		
Accessories		
ESDK1	P66	
ESDK2	P66	

2ESDSV-XXP

2ESDSVM-XXP

Socket

2EHDR-XXP	P76	2EHDRM-XXP	P76
2EHDR-XXPL	P76	2EHDRRM-XXPL	P76
2EHDRM-XXP	P76	2EHDRM-XXPL	P76
2EHDRM-XXPL	P76	2EHDRM-XXPL	P76
2EHDV-XXP	P76	2EHDVM-XXP	P76
2EHDV-XXPL	P76	2EHDVM-XXPL	P76
2EHDVC-XXPL	P76	Please refer to the related page number for the compatible headers.	

Please refer to the related page number for the compatible headers.

Socket

2EHDRM-XXP	P76
2EHDRM-XXPL	P76
2EHDVM-XXP	P76
2EHDVM-XXPL	P76
2EHDBRM-XXP	P77
2EHDBVM-XXP	P77

Please refer to the related page number for the compatible headers.


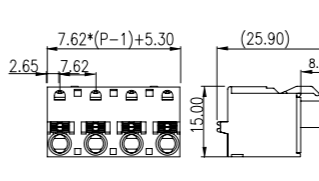
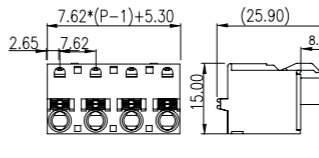
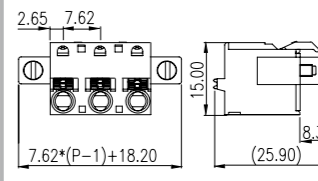
Socket

2EHDR-XXP	P76	2EHDRM-XXP	P76
2EHDR-XXPL	P76	2EHDRRM-XXPL	P76
2EHDRM-XXP	P76	2EHDRM-XXPL	P76
2EHDRM-XXPL	P76	2EHDRM-XXPL	P76
2EHDV-XXP	P76	2EHDVM-XXP	P76
2EHDV-XXPL	P76	2EHDVM-XXPL	P76
2EHDVC-XXPL	P76	Please refer to the related page number for the compatible headers.	


Please refer to the related page number for the compatible headers.

7.62mm 3ESDS-XXP


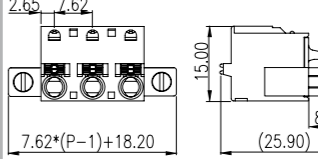
Technical Data	UL	IEC
Rated voltage	300V	800V
Rated current		
3ESDS-XXP	10A	15A
3ESDSR-XXP		
3ESDSM-XXP		
3ESDSRM-XXP		
3ESDSRH	18A	
3ESDSRHM		
Solid (AWG/mm ²)	26~12	0.2~2.5
Flexible (AWG/mm ²)	26~12	0.2~2.5
Rated impulse voltage	6KV	
Wire strip length		
3ESDS-XXP	10~11mm	
3ESDSR-XXP		
3ESDSM-XXP		
3ESDSRM-XXP		
3ESDSRH	8~9mm	
3ESDSRHM		
Number of Positions		
02~12P		
Accessories		
ESDK1	P66	
ESDK2	P66	

3ESDSR-XXP




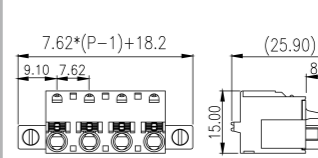

3ESDSRM-XXP

3ESDSRH-XXP




3ESDSRHM-XXP

Socket

3EHDR-XXP	P78	3EHDRM-XXP	P78
3EHDR-XXPL	P78	3EHDRM-XXPL	P78
3EHDV-XXP	P78	Please refer to the related page number for the compatible headers.	
3EHDVC-XXP	P78	Please refer to the related page number for the compatible headers.	

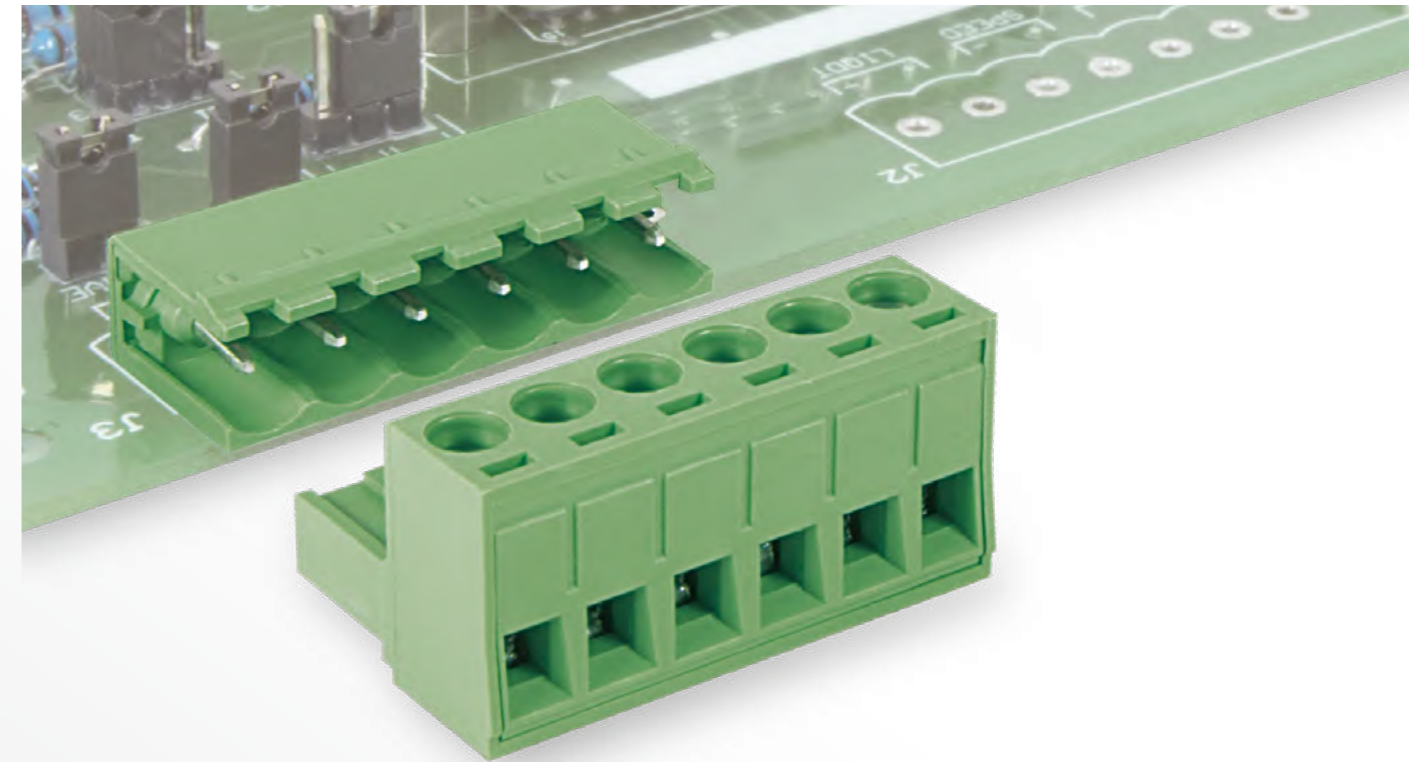
Please refer to the related page number for the compatible headers.

Socket

3EHDR-XXP	P78	3EHDRM-XXP	P78
3EHDR-XXPL	P78	3EHDRM-XXPL	P78
3EHDV-XXP	P78	Please refer to the related page number for the compatible headers.	
3EHDVC-XXP	P78	Please refer to the related page number for the compatible headers.	

Please refer to the related page number for the compatible headers.

Screw Connection Plugs



Connection method: Screw connection

**Pitch: 3.50mm / 3.81mm / 5.00mm / 5.08mm / 6.35mm /
7.50mm / 7.62mm**

UL Rated: 300V / 8A ~ 600V / 20A

IEC Rated: 320V / 14A ~ 1000V / 16A

- Mating sockets include versions for wave soldering and reflow soldering
- Key codes available for fool-proof
- Rigid structure for excellent durability

The wire cage structure uses a high carbon steel material that undergoes a two-stage heat treatment process which strengthens the steel while maintaining ductility. The screw connection features a large contact surface that is suitable for solid and stranded wires. The wire cage is designed to ensure tight contact point which helps to achieve the low contact resistance and resistance to corrosion.

3.50mm

Technical Data	UL	IEC
Rated voltage	300V	320V
Rated current	8A	14A
Solid (AWG/mm ²)	28~14	0.2~1.5
Flexible (AWG/mm ²)	28~14	0.2~1.5
Rated impulse voltage	2.5KV	
Torque (N-m)	0.2~0.25	
Screw	M2	
Wire strip length	6~7mm	
Number of Positions		
EC350RM-XXP	02~20P	
EC350RLM-XXP	02~22P	
EC350R-XXP	02~22P	
EC350V-XXP	02~24P	
EC350VM-XXP	02~24P	

EC350V-XXP

EC350R-XXP

EC350RL-XXP

EC350VM-XXP

EC350RM-XXP

EC350RLM-XXP

3.81mm

Technical Data	UL	IEC
Rated voltage	300V	320V
Rated current	8A	14A
Solid (AWG/mm ²)	28~14	0.2~1.5
Flexible (AWG/mm ²)	28~14	0.2~1.5
Rated impulse voltage	2.5KV	
Torque (N-m)	0.2~2.5	
Screw	M2	
Wire strip length	6~7mm	
Number of Positions		
EC381RM-XXP	02~20P	
EC381RLM-XXP	02~22P	
EC381R-XXP	02~22P	
EC381V-XXP	02~24P	
EC381VM-XXP	02~24P	

EC381V-XXP

EC381R-XXP

EC381RL-XXP

EC381VM-XXP

EC381RM-XXP

EC381RLM-XXP

3.50mm

Technical Data	UL	IEC
Rated voltage	300V	320V
Rated current	8A	14A
Solid (AWG/mm ²)	30~14	0.2~1.5
Flexible (AWG/mm ²)	30~14	0.2~1.5
Rated impulse voltage	2KV 2.5KV	
Torque (N-m)	0.2~0.25	
Screw	M2	
Wire strip length	8~9mm	
Number of Positions		
02~24P		

EC350F-XXP

EC350FM-XXP

Socket

ECH350V-XXP	P69	ECH350H-XXP	P70
ECH350V-XXPL	P69	ECH350R-XXP	P69
ECHB350V-XXP	P70	ECH350R-XXPL	P69
EECH350V-XXP	P70	ECHB350R-XXP	P70
ECH350RR-XXP	P69	EECH350R-XXP	P70
ECH350RR-XXPL	P69		

Please refer to the related page number for the compatible headers.

3.81mm

Technical Data	UL	IEC
Rated voltage	300V	320V
Rated current	8A	14A
Solid (AWG/mm ²)	30~14	0.2~1.5
Flexible (AWG/mm ²)	30~14	0.2~1.5
Rated impulse voltage	2.5KV	
Torque (N-m)	0.2~2.5	
Screw	M2	
Wire strip length	8~9mm	
Number of Positions		
EC381FM-XXP	02~22P	
EC381F-XXP	02~24P	

EC381F-XXP

EC381FM-XXP


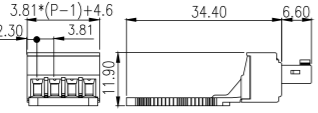
Socket

ECH381V-XXP	P71	ECH381A-XXP	P72
ECH381V-XXPL	P71	ECH381H-XXP	P72
ECHB381V-XXP	P72	ECH381R-XXP	P71
EECH381V-XXP	P72	ECH381R-XXPL	P71
ECH381RR-XXP	P71	ECHB381R-XXP	P72
ECH381RR-XXPL	P71	EECH381R-XXP	P72

Please refer to the related page number for the compatible headers.

3.81mm EC381L-XXP

Technical Data	UL	IEC
Rated voltage	300V	320V
Rated current	8A	14A
Solid (AWG/mm ²)	28~14	0.2~1.5
Flexible (AWG/mm ²)	28~14	0.2~1.5
Rated impulse voltage	2.5KV	
Torque (N-m)	0.2~0.25	
Screw	M2	
Wire strip length	6~7mm	


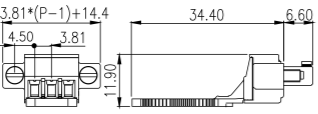



Build to order

Socket			
ECH381V-XXP	P71	ECH381A-XXP	P72
ECH381V-XXPL	P71	ECH381H-XXP	P72
ECHB381V-XXP	P72	ECH381R-XXP	P71
EECH381V-XXP	P72	ECH381R-XXPL	P71
ECH381RR-XXP	P71	ECHB381R-XXP	P72
ECH381RR-XXPL	P71	EECH381R-XXP	P72

Please refer to the related page number for the compatible headers.

3.81mm EC381LM-XXP


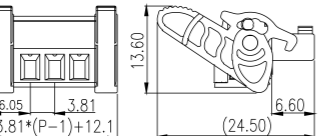
Build to order

Socket			
ECH381VM-XXP	P71	ECH381AM-XXP	P72
ECH381VM-XXPL	P71	ECH381RM-XXP	P71
ECHP381V-XXP	P81	ECH381RM-XXPL	P71
ECHB381VM-XXP	P72	ECHB381RM-XXP	P72
EECH381VM-XXP	P72	EECH381RM-XXP	P72
ECH381RRM-XXPL	P71	ECH381RRM-XXP	P71

Please refer to the related page number for the compatible headers.

3.81mm EC381VK-XXP

Technical Data	UL	IEC
Rated voltage	300V	320V
Rated current	8A	14A
Solid (AWG/mm ²)	28~14	0.2~1.5
Flexible (AWG/mm ²)	28~14	0.2~1.5
Rated impulse voltage	2.5KV	
Torque (N-m)	0.2~0.25	
Screw	M2	
Wire strip length	6~7mm	


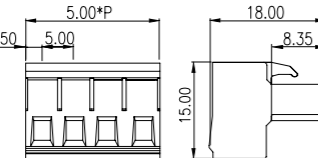



Socket			
ECHB381RRD-XXP	P72		

Please refer to the related page number for the compatible headers.

5.00mm 5ESDT-XXP

Technical Data	UL	IEC
Rated voltage	300V	600V
Rated current	15A	18A
Solid (AWG/mm ²)	28~12	0.2~4
Flexible (AWG/mm ²)	30~12	0.2~2.5
Rated impulse voltage	4KV	
Torque (N-m)	0.4~0.5	
Screw	M2.5	
Wire strip length	7~8mm	


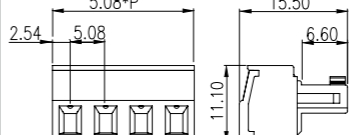



5ESDTS-XXP		Socket	
		5EHDR-XXP	P73
		5EHDRC-XXP	P73
		5EHDV-XXP	P73
		5EHDVC-XXP	P73
		5EH-XPL	P129
		5EH-XPR	P130
		5EHDRR-XXP	P73
		5EHDK-XXP	P82


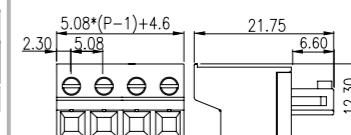
Please refer to the related page number for the compatible headers.

5.08mm EC508V-XXP

Technical Data	UL	IEC
Rated voltage	300V	630V
Rated current	12A	14A
Solid (AWG/mm ²)		
EC508FM-XXP	28~14	0.2~1.5
EC508F-XXP	28~14	
EC508V-XXP		
Flexible (AWG/mm ²)		
EC508FM-XXP	30~14	0.2~1.5
EC508F-XXP	28~14	
EC508V-XXP		
EC508VM-XXP	30~14	
Rated impulse voltage	4KV	
Torque (N-m)	0.2~0.25	
Screw	M2	
Wire strip length	8~9mm	
Number of Positions		
02~24P		


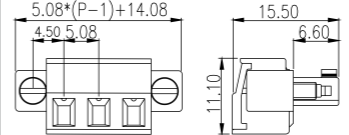
5.08mm EC508F-XXP


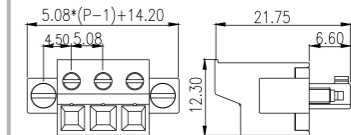
Socket	
ECH508V-XXP	P75
ECH508R-XXP	P75

Please refer to the related page number for the compatible headers.

5.08mm EC508VM-XXP

5.08mm EC508FM-XXP


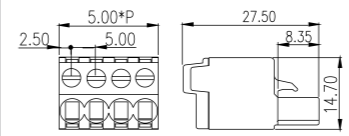



Socket	
ECH508VM-XXP	P75
ECH508RM-XXP	P75

Please refer to the related page number for the compatible headers.

5.00mm 5ESDF-XXP


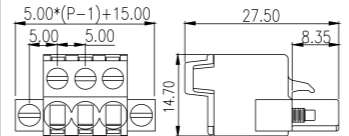
Technical Data	UL	IEC
Rated voltage	300V	600V
Rated current	15A	18A
Solid (AWG/mm ²)	24~12	0.2~4
Flexible (AWG/mm ²)	24~12	0.2~2.5
Rated impulse voltage	4KV	
Torque (N-m)	0.4~0.5	
Screw	M2.5	
Wire strip length	9~10mm	

Socket			
5EHDV-XXP	P73	5EHDRC-XXP	P73
5EHDV-XXPL	P73	5EHDRC-XXPL	P73
5EHDVC-XXP	P73	5EHDDB-XXP	P74
5EHDVC-XXPL	P73	5EHDRR-XXP	P73
5EHDVB-XXP	P74	5EHDRC-XXP	P73
5EEHDV-XXP	P74	5EEHDR-XXP	P74
5EHDR-XXP	P73	5EHDRC-XXPL	P73
5EHDR-XXPL	P73		
5EHDRC-XXPL	P73		

Please refer to the related page number for the compatible headers.

5.00mm 5ESDFM-XXP

Socket			
5EHDVM-XXP	P74	5EHDKPM-XXP/T	P82
5EHDVM-XXPL	P74	5EHDDB-XXP	P74
5EHDVB-XXP	P74	5EEHDR-XXP	P74
5EEHDV-XXP	P74	5EHDRC-XXPL	P74
5EHDRC-XXP	P74		
5EHDRC-XXPL	P74		

Please refer to the related page number for the compatible headers.

5.00mm			5ESDV-XXP	5ESDA-XXP	5ESDP-XXP	5ESDPL-XXP	Socket																																																																																			
<table border="1"> <tr><td>Technical Data</td><td>UL</td><td>IEC</td></tr> <tr><td>Rated voltage</td><td>300V</td><td>600V</td></tr> <tr><td>Rated current</td><td>15A</td><td>18A</td></tr> <tr><td>Solid (AWG/mm²)</td><td>30~12</td><td>0.2~4</td></tr> <tr><td>Flexible (AWG/mm²)</td><td>30~12</td><td>0.2~2.5</td></tr> <tr><td>Rated impulse voltage</td><td></td><td>4KV</td></tr> <tr><td>Torque (N-m)</td><td colspan="2">0.4~0.5</td></tr> <tr><td>Screw</td><td colspan="2">M2.5</td></tr> <tr><td>Wire strip length</td><td colspan="2">7~8mm</td></tr> <tr><td colspan="3">Number of Positions</td></tr> <tr><td colspan="3">02~24P</td></tr> <tr><td colspan="3">Accessories</td></tr> <tr><td>ESDK1</td><td colspan="2">P66</td></tr> <tr><td>ESDK2</td><td colspan="2">P66</td></tr> </table>	Technical Data	UL	IEC	Rated voltage	300V	600V	Rated current	15A	18A	Solid (AWG/mm ²)	30~12	0.2~4	Flexible (AWG/mm ²)	30~12	0.2~2.5	Rated impulse voltage		4KV	Torque (N-m)	0.4~0.5		Screw	M2.5		Wire strip length	7~8mm		Number of Positions			02~24P			Accessories			ESDK1	P66		ESDK2	P66						<table border="1"> <tr><td>5EHDV-XXP</td><td>P73</td><td>5EHDR-XXPL</td><td>P73</td></tr> <tr><td>5EHDV-XXPL</td><td>P73</td><td>5EHDBR-XXP</td><td>P74</td></tr> <tr><td>5EHDVC-XXP</td><td>P73</td><td>5EHDRR-XXP</td><td>P73</td></tr> <tr><td>5EHDVC-XXPL</td><td>P73</td><td>5EHDRRC-XXP</td><td>P73</td></tr> <tr><td>5EHDBV-XXP</td><td>P74</td><td>5EEHDR-XXP</td><td>P74</td></tr> <tr><td>5EEHDV-XXP</td><td>P74</td><td>5EHDRR-XXPL</td><td>P73</td></tr> <tr><td>5EHDR-XXP</td><td>P73</td><td>5EHDRRC-XXPL</td><td>P73</td></tr> <tr><td>5EHDR-XXPL</td><td>P73</td><td></td><td></td></tr> <tr><td>5EHDR-XXP</td><td>P73</td><td></td><td></td></tr> </table>	5EHDV-XXP	P73	5EHDR-XXPL	P73	5EHDV-XXPL	P73	5EHDBR-XXP	P74	5EHDVC-XXP	P73	5EHDRR-XXP	P73	5EHDVC-XXPL	P73	5EHDRRC-XXP	P73	5EHDBV-XXP	P74	5EEHDR-XXP	P74	5EEHDV-XXP	P74	5EHDRR-XXPL	P73	5EHDR-XXP	P73	5EHDRRC-XXPL	P73	5EHDR-XXPL	P73			5EHDR-XXP	P73							Please refer to the related page number for the compatible headers.		
Technical Data	UL	IEC																																																																																								
Rated voltage	300V	600V																																																																																								
Rated current	15A	18A																																																																																								
Solid (AWG/mm ²)	30~12	0.2~4																																																																																								
Flexible (AWG/mm ²)	30~12	0.2~2.5																																																																																								
Rated impulse voltage		4KV																																																																																								
Torque (N-m)	0.4~0.5																																																																																									
Screw	M2.5																																																																																									
Wire strip length	7~8mm																																																																																									
Number of Positions																																																																																										
02~24P																																																																																										
Accessories																																																																																										
ESDK1	P66																																																																																									
ESDK2	P66																																																																																									
5EHDV-XXP	P73	5EHDR-XXPL	P73																																																																																							
5EHDV-XXPL	P73	5EHDBR-XXP	P74																																																																																							
5EHDVC-XXP	P73	5EHDRR-XXP	P73																																																																																							
5EHDVC-XXPL	P73	5EHDRRC-XXP	P73																																																																																							
5EHDBV-XXP	P74	5EEHDR-XXP	P74																																																																																							
5EEHDV-XXP	P74	5EHDRR-XXPL	P73																																																																																							
5EHDR-XXP	P73	5EHDRRC-XXPL	P73																																																																																							
5EHDR-XXPL	P73																																																																																									
5EHDR-XXP	P73																																																																																									

5.00mm			5ESDVM-XXP	5ESDAM-XXP	5ESDPM-XXP	5ESDPLM-XXP	Socket																																																																			
<table border="1"> <tr><td>Technical Data</td><td>UL</td><td>IEC</td></tr> <tr><td>Rated voltage</td><td>300V</td><td>600V</td></tr> <tr><td>Rated current</td><td>15A</td><td>18A</td></tr> <tr><td>Solid (AWG/mm²)</td><td>30~12</td><td>0.2~4</td></tr> <tr><td>Flexible (AWG/mm²)</td><td>30~12</td><td>0.2~2.5</td></tr> <tr><td>Rated impulse voltage</td><td></td><td>4KV</td></tr> <tr><td>Torque (N-m)</td><td colspan="2">0.4~0.5</td></tr> <tr><td>Screw</td><td colspan="2">M2.5</td></tr> <tr><td>Wire strip length</td><td colspan="2">7~8mm</td></tr> <tr><td colspan="3">Number of Positions</td></tr> <tr><td colspan="3">02~24P</td></tr> <tr><td colspan="3">Accessories</td></tr> <tr><td>ESDK1</td><td colspan="2">P66</td></tr> <tr><td>ESDK2</td><td colspan="2">P66</td></tr> </table>	Technical Data	UL	IEC	Rated voltage	300V	600V	Rated current	15A	18A	Solid (AWG/mm ²)	30~12	0.2~4	Flexible (AWG/mm ²)	30~12	0.2~2.5	Rated impulse voltage		4KV	Torque (N-m)	0.4~0.5		Screw	M2.5		Wire strip length	7~8mm		Number of Positions			02~24P			Accessories			ESDK1	P66		ESDK2	P66						<table border="1"> <tr><td>5EHDVM-XXP</td><td>P74</td><td>5EHDRM-XXPL</td><td>P74</td></tr> <tr><td>5EHDVM-XXPL</td><td>P74</td><td>5EHDKPM-XXP</td><td>P82</td></tr> <tr><td>5EHDBVM-XXP</td><td>P74</td><td>5EHDBRM-XXP</td><td>P74</td></tr> <tr><td>5EEHDVM-XXP</td><td>P74</td><td>5EEHDRM-XXP</td><td>P74</td></tr> <tr><td>5EHDRM-XXP</td><td>P74</td><td>5EHDRRM-XXPL</td><td>P74</td></tr> </table>	5EHDVM-XXP	P74	5EHDRM-XXPL	P74	5EHDVM-XXPL	P74	5EHDKPM-XXP	P82	5EHDBVM-XXP	P74	5EHDBRM-XXP	P74	5EEHDVM-XXP	P74	5EEHDRM-XXP	P74	5EHDRM-XXP	P74	5EHDRRM-XXPL	P74					Please refer to the related page number for the compatible headers.		
Technical Data	UL	IEC																																																																								
Rated voltage	300V	600V																																																																								
Rated current	15A	18A																																																																								
Solid (AWG/mm ²)	30~12	0.2~4																																																																								
Flexible (AWG/mm ²)	30~12	0.2~2.5																																																																								
Rated impulse voltage		4KV																																																																								
Torque (N-m)	0.4~0.5																																																																									
Screw	M2.5																																																																									
Wire strip length	7~8mm																																																																									
Number of Positions																																																																										
02~24P																																																																										
Accessories																																																																										
ESDK1	P66																																																																									
ESDK2	P66																																																																									
5EHDVM-XXP	P74	5EHDRM-XXPL	P74																																																																							
5EHDVM-XXPL	P74	5EHDKPM-XXP	P82																																																																							
5EHDBVM-XXP	P74	5EHDBRM-XXP	P74																																																																							
5EEHDVM-XXP	P74	5EEHDRM-XXP	P74																																																																							
5EHDRM-XXP	P74	5EHDRRM-XXPL	P74																																																																							

5.08mm			2ESDF-XXP	Socket				5.08mm			2ESDVH-XXP	Socket																																																																																																																														
<table border="1"> <tr><td>Technical Data</td><td>UL</td><td>IEC</td></tr> <tr><td>Rated voltage</td><td>300V</td><td>600V</td></tr> <tr><td>Rated current</td><td>15A</td><td>18A</td></tr> <tr><td>Solid (AWG/mm²)</td><td>24~12</td><td>0.2~4</td></tr> <tr><td>Flexible (AWG/mm²)</td><td>24~12</td><td>0.2~2.5</td></tr> <tr><td>Rated impulse voltage</td><td></td><td>4KV</td></tr> <tr><td>Torque (N-m)</td><td colspan="2">0.4~0.5</td></tr> <tr><td>Screw</td><td colspan="2">M2.5</td></tr> <tr><td>Wire strip length</td><td colspan="2">9~10mm</td></tr> <tr><td colspan="3">Number of Positions</td></tr> <tr><td colspan="3">02~24P</td></tr> </table>	Technical Data	UL	IEC	Rated voltage	300V	600V	Rated current	15A	18A	Solid (AWG/mm ²)	24~12	0.2~4	Flexible (AWG/mm ²)	24~12	0.2~2.5	Rated impulse voltage		4KV	Torque (N-m)	0.4~0.5		Screw	M2.5		Wire strip length	9~10mm		Number of Positions			02~24P				<table border="1"> <tr><td>2EHDV-XXP</td><td>P76</td><td>2EHDR-XXP</td><td>P76</td></tr> <tr><td>2EHDV-XXPL</td><td>P76</td><td>2EHDR-XXPL</td><td>P76</td></tr> <tr><td>2EHDVC-XXP</td><td>P76</td><td>2EHDA-XXP</td><td>P75</td></tr> <tr><td>2EHDVC-XXPL</td><td>P76</td><td>2EHDAC-XXP</td><td>P75</td></tr> <tr><td>2EHDBV-XXP</td><td>P77</td><td>2EHDBR-XXP</td><td>P77</td></tr> <tr><td>2EEHDV-XXP</td><td>P77</td><td>2EEHDR-XXP</td><td>P77</td></tr> <tr><td>2EHDR-XXP</td><td>P76</td><td>2EHDRR-XXPL</td><td>P76</td></tr> <tr><td>2EHDR-XXPL</td><td>P76</td><td>2EHDRRC-XXPL</td><td>P76</td></tr> </table>	2EHDV-XXP	P76	2EHDR-XXP	P76	2EHDV-XXPL	P76	2EHDR-XXPL	P76	2EHDVC-XXP	P76	2EHDA-XXP	P75	2EHDVC-XXPL	P76	2EHDAC-XXP	P75	2EHDBV-XXP	P77	2EHDBR-XXP	P77	2EEHDV-XXP	P77	2EEHDR-XXP	P77	2EHDR-XXP	P76	2EHDRR-XXPL	P76	2EHDR-XXPL	P76	2EHDRRC-XXPL	P76	<table border="1"> <tr><td>Technical Data</td><td>UL</td><td>IEC</td></tr> <tr><td>Rated voltage</td><td>300V</td><td>600V</td></tr> <tr><td>Rated current</td><td>20A</td><td>24A</td></tr> <tr><td>Solid (AWG/mm²)</td><td>28~12</td><td>0.2~4</td></tr> <tr><td>Flexible (AWG/mm²)</td><td>30~12</td><td>0.2~2.5</td></tr> <tr><td>Rated impulse voltage</td><td></td><td>4KV</td></tr> <tr><td>Torque (N-m)</td><td colspan="2">0.4~0.5</td></tr> <tr><td>Wire strip length</td><td colspan="2">7~8mm</td></tr> <tr><td colspan="3">Number of Positions</td></tr> <tr><td colspan="3">02~24P</td></tr> </table>	Technical Data	UL	IEC	Rated voltage	300V	600V	Rated current	20A	24A	Solid (AWG/mm ²)	28~12	0.2~4	Flexible (AWG/mm ²)	30~12	0.2~2.5	Rated impulse voltage		4KV	Torque (N-m)	0.4~0.5		Wire strip length	7~8mm		Number of Positions			02~24P				<table border="1"> <tr><td>2EHDV-XXP</td><td>P76</td><td>2EHDR-XXP</td><td>P76</td></tr> <tr><td>2EHDV-XXPL</td><td>P76</td><td>2EHDR-XXPL</td><td>P76</td></tr> <tr><td>2EHDVC-XXP</td><td>P76</td><td>2EHDA-XXP</td><td>P75</td></tr> <tr><td>2EHDVC-XXPL</td><td>P76</td><td>2EHDAC-XXP</td><td>P75</td></tr> <tr><td>2EHDBV-XXP</td><td>P77</td><td>2EHDBR-XXP</td><td>P77</td></tr> <tr><td>2EEHDV-XXP</td><td>P77</td><td>2EEHDR-XXP</td><td>P77</td></tr> <tr><td>2EHDR-XXP</td><td>P76</td><td>2EHDRR-XXPL</td><td>P76</td></tr> <tr><td>2EHDR-XXPL</td><td>P76</td><td>2EHDRRC-XXPL</td><td>P76</td></tr> </table>	2EHDV-XXP	P76	2EHDR-XXP	P76	2EHDV-XXPL	P76	2EHDR-XXPL	P76	2EHDVC-XXP	P76	2EHDA-XXP	P75	2EHDVC-XXPL	P76	2EHDAC-XXP	P75	2EHDBV-XXP	P77	2EHDBR-XXP	P77	2EEHDV-XXP	P77	2EEHDR-XXP	P77	2EHDR-XXP	P76	2EHDRR-XXPL	P76	2EHDR-XXPL	P76	2EHDRRC-XXPL	P76			Please refer to the related page number for the compatible headers.			
Technical Data	UL	IEC																																																																																																																																								
Rated voltage	300V	600V																																																																																																																																								
Rated current	15A	18A																																																																																																																																								
Solid (AWG/mm ²)	24~12	0.2~4																																																																																																																																								
Flexible (AWG/mm ²)	24~12	0.2~2.5																																																																																																																																								
Rated impulse voltage		4KV																																																																																																																																								
Torque (N-m)	0.4~0.5																																																																																																																																									
Screw	M2.5																																																																																																																																									
Wire strip length	9~10mm																																																																																																																																									
Number of Positions																																																																																																																																										
02~24P																																																																																																																																										
2EHDV-XXP	P76	2EHDR-XXP	P76																																																																																																																																							
2EHDV-XXPL	P76	2EHDR-XXPL	P76																																																																																																																																							
2EHDVC-XXP	P76	2EHDA-XXP	P75																																																																																																																																							
2EHDVC-XXPL	P76	2EHDAC-XXP	P75																																																																																																																																							
2EHDBV-XXP	P77	2EHDBR-XXP	P77																																																																																																																																							
2EEHDV-XXP	P77	2EEHDR-XXP	P77																																																																																																																																							
2EHDR-XXP	P76	2EHDRR-XXPL	P76																																																																																																																																							
2EHDR-XXPL	P76	2EHDRRC-XXPL	P76																																																																																																																																							
Technical Data	UL	IEC																																																																																																																																								
Rated voltage	300V	600V																																																																																																																																								
Rated current	20A	24A																																																																																																																																								
Solid (AWG/mm ²)	28~12	0.2~4																																																																																																																																								
Flexible (AWG/mm ²)	30~12	0.2~2.5																																																																																																																																								
Rated impulse voltage		4KV																																																																																																																																								
Torque (N-m)	0.4~0.5																																																																																																																																									
Wire strip length	7~8mm																																																																																																																																									
Number of Positions																																																																																																																																										
02~24P																																																																																																																																										
2EHDV-XXP	P76	2EHDR-XXP	P76																																																																																																																																							
2EHDV-XXPL	P76	2EHDR-XXPL	P76																																																																																																																																							
2EHDVC-XXP	P76	2EHDA-XXP	P75																																																																																																																																							
2EHDVC-XXPL	P76	2EHDAC-XXP	P75																																																																																																																																							
2EHDBV-XXP	P77	2EHDBR-XXP	P77																																																																																																																																							
2EEHDV-XXP	P77	2EEHDR-XXP	P77																																																																																																																																							
2EHDR-XXP	P76	2EHDRR-XXPL	P76																																																																																																																																							
2EHDR-XXPL	P76	2EHDRRC-XXPL	P76																																																																																																																																							
	2ESDFM-XXP	Socket																																																																																																																																								
		<table border="1"> <tr><td>2EHDVM-XXP</td><td>P76</td><td>2EHDRM-XXPL</td><td>P76</td></tr> <tr><td>2EHDVM-XXPL</td><td>P76</td><td>2EHDBRM-XXP</td><td>P77</td></tr> <tr><td>2EHDBVM-XXP</td><td>P77</td><td>2EEHDRM-XXP</td><td>P77</td></tr> <tr><td>2EEHDVM-XXP</td><td>P77</td><td>2EHDRRM-XXPL</td><td>P76</td></tr> <tr><td>2EHDRM-XXP</td><td>P76</td><td></td><td></td></tr> </table>	2EHDVM-XXP	P76	2EHDRM-XXPL	P76	2EHDVM-XXPL	P76	2EHDBRM-XXP	P77	2EHDBVM-XXP	P77	2EEHDRM-XXP	P77	2EEHDVM-XXP	P77	2EHDRRM-XXPL	P76	2EHDRM-XXP	P76																																																																																																																						
2EHDVM-XXP	P76	2EHDRM-XXPL	P76																																																																																																																																							
2EHDVM-XXPL	P76	2EHDBRM-XXP	P77																																																																																																																																							
2EHDBVM-XXP	P77	2EEHDRM-XXP	P77																																																																																																																																							
2EEHDVM-XXP	P77	2EHDRRM-XXPL	P76																																																																																																																																							
2EHDRM-XXP	P76																																																																																																																																									
		Please refer to the related page number for the compatible headers.																																																																																																																																								

5.08mm		
Technical Data	UL	IEC
Rated voltage	300V	600V
Rated current	15A	18A
Solid (AWG/mm ²)	28~12	0.2~4
Flexible (AWG/mm ²)	30~12	0.2~2.5
Rated impulse voltage	4KV	
Torque (N-m)	0.4~0.5	
Screw	M2.5	
Wire strip length	7~8mm	
Number of Positions		
2ESDV-XXP	02~24P	
2ESDA-XXP		
2ESDV-XXP		
2ESDAM-XXP		
2ESDPM-XXP		
2ESDPLM-XXP		
2ESDVNM-XXP	02~26P	
2ESDP-XXP		
2ESDPL-XXP		
2ESDL-XXP	03~10P	
Accessories		
ESDK1	P66	
ESDK2	P66	

2ESDV-XXP

UL, IEC, CE, D'E

2ESDA-XXP

UL, IEC, CE, D'E

2ESDP-XXP

UL, IEC, CE, D'E

2ESDPL-XXP

UL, IEC, CE, D'E

2ESDL-XXP

UL, IEC, CE, D'E

Build to order

Socket

2EHDV-XXP	P76	2EHDRC-XXP	P76
2EHDV-XXPL	P76	2EHDRC-XXPL	P76
2EHDVC-XXP	P76	2EHDA-XXP	P75
2EHDVC-XXPL	P76	2EHDAC-XXP	P75
2EHDVB-XXP	P77	2EHDBR-XXP	P77
2EEHDV-XXP	P77	2EEHDR-XXP	P77
2EHDR-XXP	P76	2EHDRR-XXPL	P76
2EHDR-XXPL	P76	2EHDRRC-XXPL	P76

Please refer to the related page number for the compatible headers.

2ESDVM-XXP

UL, IEC, CE, D'E

2ESDAM-XXP

UL, IEC, CE, D'E

2ESDPM-XXP

UL, IEC, CE, D'E

2ESDPLM-XXP

UL, IEC, CE, D'E

2ESDVNM-XXP

UL, IEC, CE, D'E

Hook Removed

Socket

2EHDVM-XXP	P76	2EHDVM-XXPL	P76
2EHDVM-XXPL	P76	2EHDVM-XXPL	P77
2EHDVB-XXP	P77	2EEHDRM-XXP	P77
2EEHDV-XXP	P77	2EHDV-XXPL	P76
2EHDV-XXP	P76	2EHDV-XXPL	P76
2EHDV-XXPL	P76	2EHDV-XXPL	P76
2EHDV-XXPL	P76	2EHDV-XXPL	P76
2EHDV-XXPL	P76	2EHDV-XXPL	P76

Please refer to the related page number for the compatible headers.

5.08mm		
Technical Data	UL	IEC
Rated voltage	300V	630V
Rated current	15A	18A
Solid (AWG/mm ²)	28~12	0.2~4
Flexible (AWG/mm ²)	30~12	0.2~2.5
Rated impulse voltage	4KV	
Torque (N-m)	0.4~0.6	
Screw	M2.5	
Wire strip length	7~8mm	
Number of Positions		
03P		

2ESDVS-03P

UL, IEC, CE, D'E

Socket

2EHDA-XXP	P75	2EHDV-XXP	P76
2EHDA-XXP	P75	2EHDV-XXP	P76
2EHDA-XXP	P75	2EHDV-XXP	P76
2EHDA-XXP	P75	2EHDV-XXP	P76
2EHDA-XXP	P75	2EHDV-XXP	P76
2EHDA-XXP	P75	2EHDV-XXP	P76
2EHDA-XXP	P75	2EHDV-XXP	P76

Please refer to the related page number for the compatible headers.

5.08mm		
Technical Data	UL	IEC
Rated voltage	300V	630V
Rated current	15A	18A
Solid (AWG/mm ²)	28~12	0.2~4
Flexible (AWG/mm ²)	30~12	0.2~2.5
Rated impulse voltage	4KV	
Torque (N-m)	0.4~0.6	
Screw	M2.5	
Wire strip length	7~8mm	
Number of Positions		
03P		

2ESDVS-03P

UL, IEC, CE, D'E

Socket

2EHDA-XXP	P75	2EHDV-XXP	P76
2EHDA-XXP	P75	2EHDV-XXP	P76
2EHDA-XXP	P75	2EHDV-XXP	P76
2EHDA-XXP	P75	2EHDV-XXP	P76
2EHDA-XXP	P75	2EHDV-XXP	P76
2EHDA-XXP	P75	2EHDV-XXP	P76
2EHDA-XXP	P75	2EHDV-XXP	P76

Please refer to the related page number for the compatible headers.

2ESDPL-XXP

UL, IEC, CE, D'E

2ESDL-XXP

UL, IEC, CE, D'E

Build to order

2ESDPLM-XXP

UL, IEC, CE, D'E

2ESDVNM-XXP

UL, IEC, CE, D'E

Hook Removed

Socket

2EHDA-XXP	P75	2EHDV-XXP	P76
2EHDA-XXP	P75	2EHDV-XXP	P76
2EHDA-XXP	P75	2EHDV-XXP	P76
2EHDA-XXP	P75	2EHDV-XXP	P76
2EHDA-XXP	P75	2EHDV-XXP	P76
2EHDA-XXP	P75	2EHDV-XXP	P76
2EHDA-XXP	P75	2EHDV-XXP	P76

Please refer to the related page number for the compatible headers.

Socket

2EHDA-XXP	P75	2EHDV-XXP	P76
2EHDA-XXP	P75	2EHDV-XXP	P76
2EHDA-XXP	P75	2EHDV-XXP	P76
2EHDA-XXP	P75	2EHDV-XXP	P76
2EHDA-XXP	P75	2EHDV-XXP	P76
2EHDA-XXP	P75	2EHDV-XXP	P76
2EHDA-XXP	P75	2EHDV-XXP	P76

Please refer to the related page number for the compatible headers.

Socket

2EHDA-XXP	P75	2EHDV-XXP	P76
2EHDA-XXP	P75	2EHDV-XXP	P76
2EHDA-XXP	P75	2EHDV-XXP	P76
2EHDA-XXP	P75	2EHDV-XXP	P76
2EHDA-XXP	P75	2EHDV-XXP	P76
2EHDA-XXP	P75	2EHDV-XXP	P76
2EHDA-XXP	P75	2EHDV-XXP	P76

Please refer to the related page number for the compatible headers.



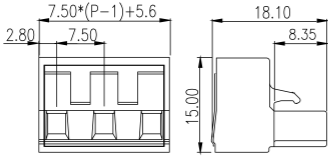
Socket

2EHDA-XXP	P75	2EHDV-XXP	P76
2EHDA-XXP	P75	2EHDV-XXP	P76
2EHDA-XXP	P75	2EHDV-XXP	P76
2EHDA-XXP	P75	2EHDV-XXP	P76
2EHDA-XXP	P75	2EHDV-XXP	P76
2EHDA-XXP	P75	2EHDV-XXP	P76
2EHDA-XXP	P75	2EHDV-XXP	P76



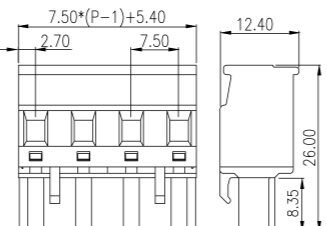
Please refer to the related page number for the compatible headers.

7.50mm		
Technical Data	UL	IEC
Rated voltage	300V	800V
Rated current	15A	18A
Solid (AWG/mm ²)	28~12	0.2~4
Flexible (AWG/mm ²)	30~12	0.2~2.5
Rated impulse voltage		6KV
Torque (N·m)	0.4~0.5	
Screw	M2.5	
Wire strip length	7~8mm	
Number of Positions		
7ESDP-XXP	02~11P	
7ESDPL-XXP		
7ESDPM-XXP		
7ESDPLM-XXP		
7ESDV-XXP		
7ESDVM-XXP	02~12P	
Accessories		
ESDK1	P66	
ESDK2	P66	



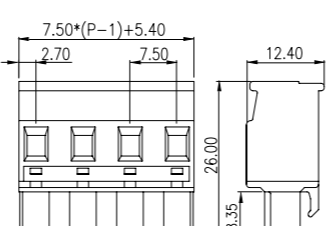
7ESDV-XXP



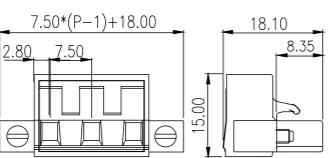
7ESDP-XXP



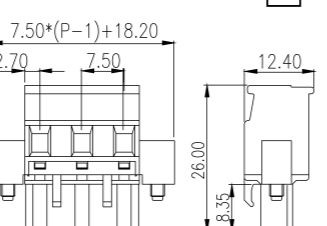
7ESDPL-XXP



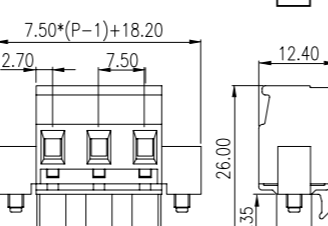
7ESDVM-XXP

7ESDPM-XXP



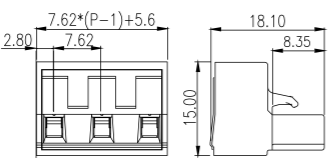




7ESDPLM-XXP



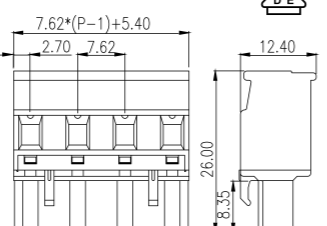




7.62mm		
Technical Data	UL	IEC
Rated voltage	300V	800V
Rated current	15A	18A
Solid (AWG/mm ²)		
3ESDV-XXP	28~12	
3ESDP-XXP		
3ESDVM-XXP		
3ESDPM-XXP	0.2~4	
Flexible (AWG/mm ²)	30~12	0.2~2.5
Rated impulse voltage		6KV
Torque (N·m)	0.4~0.5	
Screw	M2.5	
Wire strip length	7~8mm	
Number of Positions		
3ESDV-XXP	02~12P	
3ESDP-XXP		
3ESDPL-XXP		
3ESDPM-XXP		
3ESDPLM-XXP		
3ESDVM-XXP	02~14P	
Accessories		
ESDK1	P66	
ESDK2	P66	



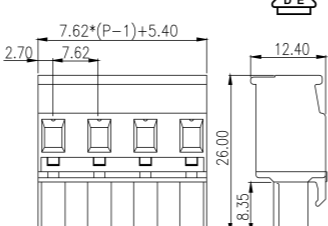
3ESDV-XXP



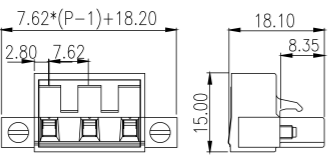
3ESDP-XXP



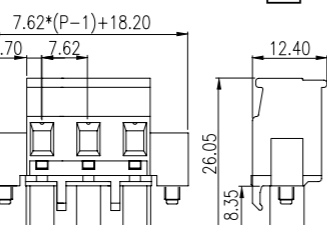
3ESDPL-XXP



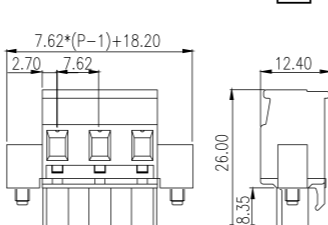
3ESDVM-XXP

3ESDPM-XXP

3ESDPLM-XXP

Socket	
7EHDV-XXP	P78
7EHDVC-XXP	P78
7EHDR-XXP	P78
7EHDRC-XXP	P78

Please refer to the related page number for the compatible headers.

Socket	
7EHDVM-XXP	P78
7EHDRM-XXP	P78

Please refer to the related page number for the compatible headers.

Socket	
3EHDV-XXP	P78
3EHDVC-XXP	P78
3EHDR-XXP	P78
3EHDRC-XXP	P78



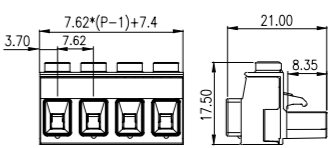
Please refer to the related page number for the compatible headers.

Socket	
3EHDVM-XXP	P78
3EHDRM-XXP	P78



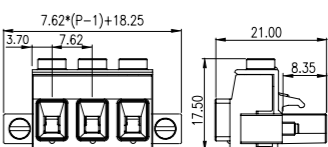
Please refer to the related page number for the compatible headers.

7.62mm		
Technical Data	UL	IEC
Rated voltage	600V	1000V
Rated current	20A	16A
Solid (AWG/mm ²)	28~12	0.2~2.5
Flexible (AWG/mm ²)	30~12	0.2~2.5
Rated impulse voltage		8KV
Torque (N·m)	0.5	
Screw	M2.5	
Wire strip length	7~8mm	
Number of Positions		
02~12P		

3ESDVH-XXP 600V

3ESDVHM-XXP 600V

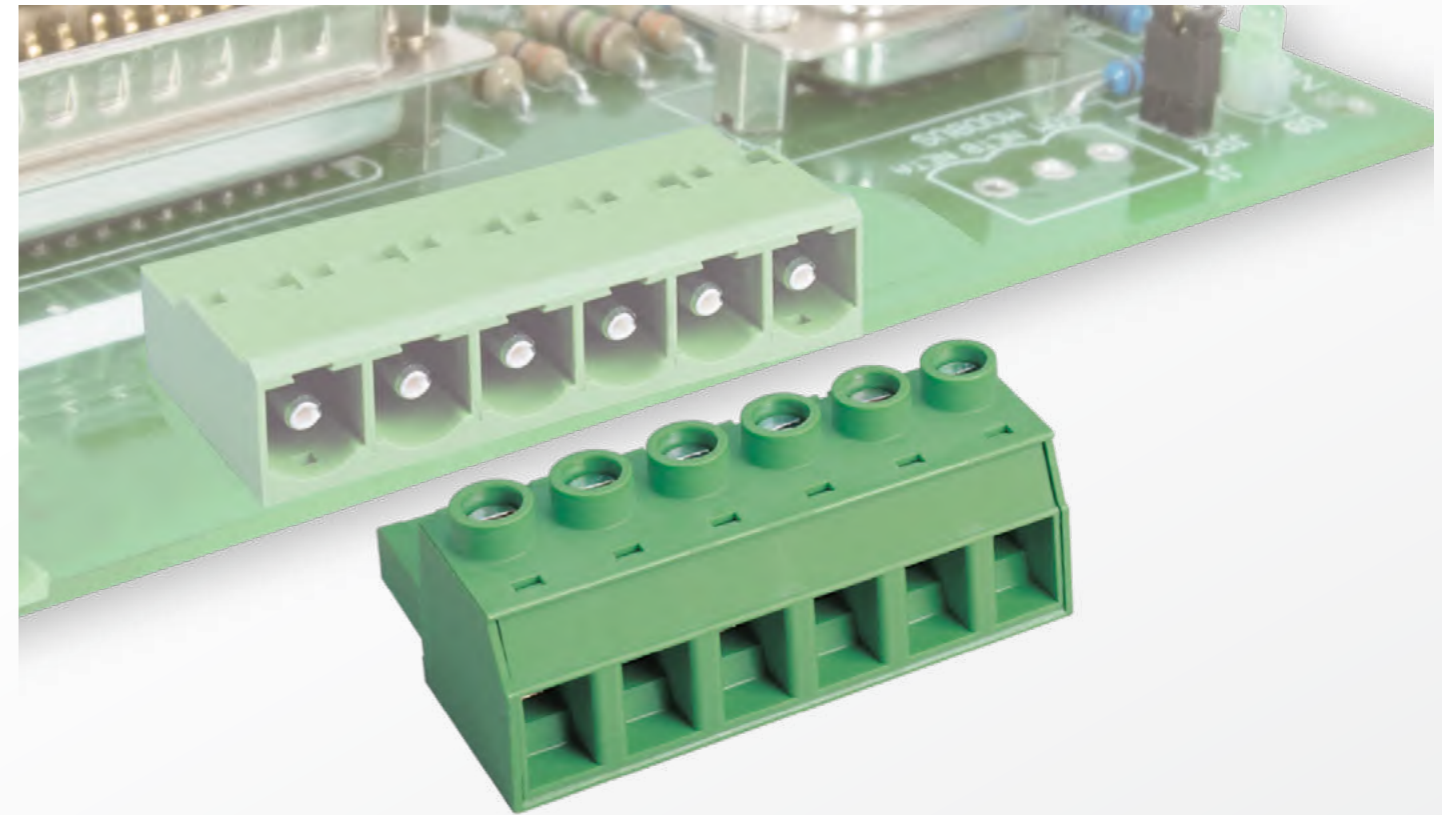
Socket	
3EHDV-XXP	P78
3EHDVC-XXP	P78
3EHDR-XXP	P78
3EHDRC-XXP	P78

Please refer to the related page number for the compatible headers.

Socket	
3EHDVM-XXP	P78
3EHDRM-XXP	P78

Please refer to the related page number for the compatible headers.

Screw Connection Plugs - High Power Application



Connection method: Screw connection

Pitch: 7.62mm / 10.16mm / 15.00mm

UL Rated: 600V / 15A ~ 600V / 115A

IEC Rated: 320V / 24A ~ 1000V / 125A

- 3ESNP series plug has a voltage capacity of 600V and current capacity up to 18A in a compact structure, and can be used with standard 3EHD series socket
- EC762 series has a high current capacity up to 40A UL rating , and adopts M3 screw with connection up to 4mm² stranded wire
- 02~06P are available in horizontal design
- EC116V series plug has a current capacity of 51A UL rating and 75A IEC rating

The socket versions include vertical and horizontal plug-in direction to the PCB and an inverted version is available where solder-in direction is rotated by 180.



3ESNP series



EC762 series

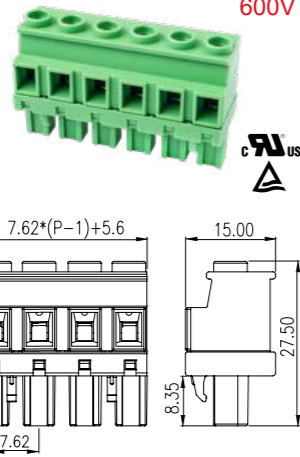


EC116V series

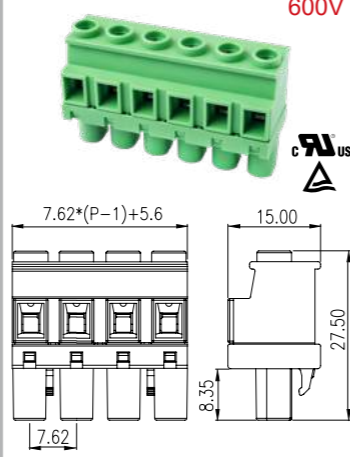
7.62mm

Technical Data	UL	IEC
Rated voltage	600V	1000V
Rated current	15A	24A
Solid (AWG/mm ²)	28~12	0.2~2.5
Flexible (AWG/mm ²)	28~12	0.2~2.5
Rated impulse voltage	8KV	
Torque (N-m)	0.4~0.5	
Screw	M2.5	
Wire strip length	7~8mm	
Number of Positions		
02~12P		
Accessories		
ESDK1	P66	
ESDK2	P66	

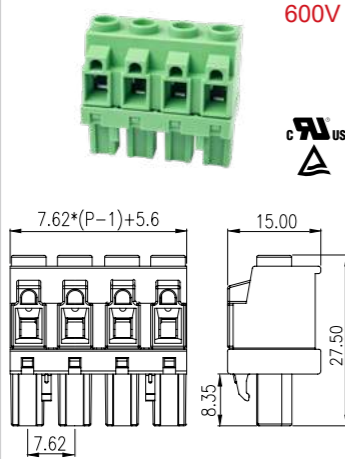
3ESNP-XXP



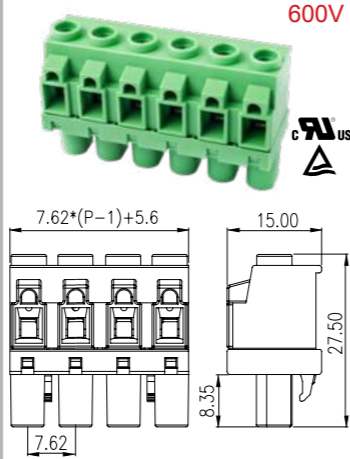
3ESNPL-XXP



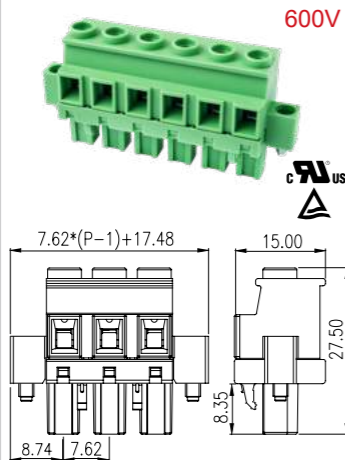
3ESNPS-XXP



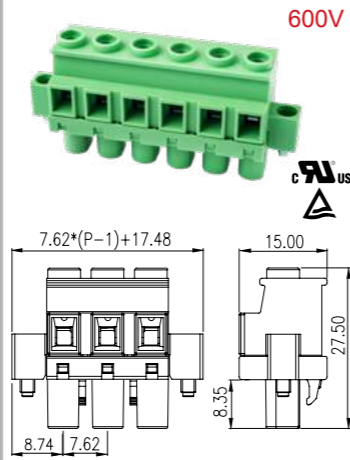
3ESNPLS-XXP



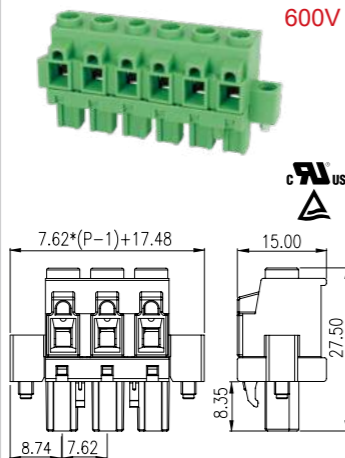
3ESNPM-XXP



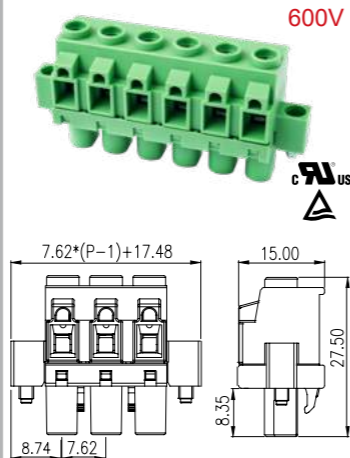
3ESNPLM-XXP



3ESNPSM-XXP



3ESNPLSM-XXP



Socket

3EHDV-XXP	P78
3EHDVC-XXP	P78
3EHDR-XXP	P78
3EHDRC-XXP	P78

Please refer to the related page number for the compatible headers.

Socket

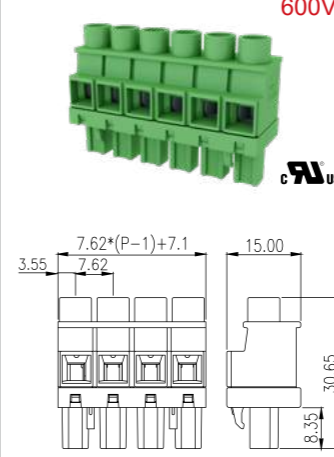
3EHDVM-XXP	P78
3EHDRM-XXP	P78

Please refer to the related page number for the compatible headers.

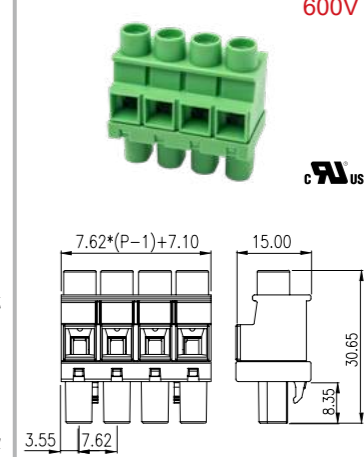
7.62mm

Technical Data	UL	IEC
Rated voltage	600V	1000V
Rated current	25A	24A
Solid (AWG/mm ²)	28~10	0.2~4
Flexible (AWG/mm ²)	28~10	0.2~4
Rated impulse voltage	8KV	
Torque (N-m)	0.5~0.6	
Screw	M3	
Wire strip length	7~8mm	
Number of Positions		
02~12P		
Accessories		
ESDK1	P66	
ESDK2	P66	

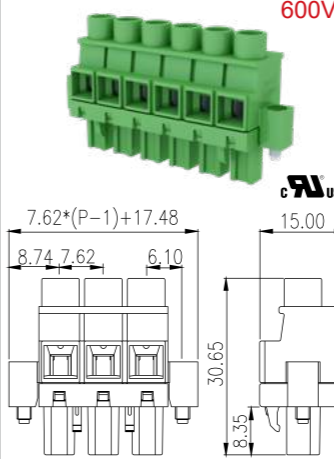
3ESNPH-XXP



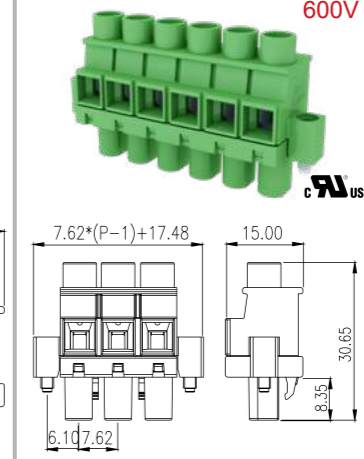
3ESNPHL-XXP



3ESNPHM-XXP



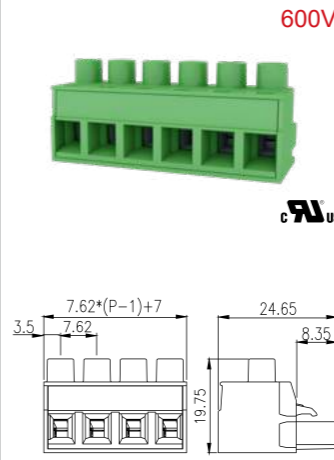
3ESNPHLM-XXP



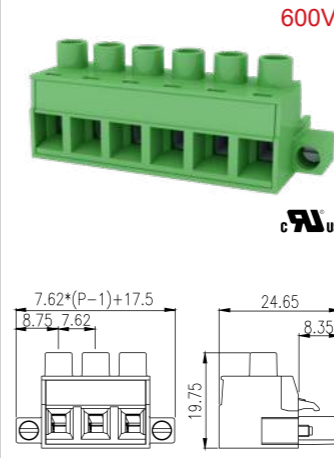
7.62mm

Technical Data	UL	IEC
Rated voltage	600V	1000V
Rated current	25A	24A
Solid (AWG/mm ²)	28~10	0.2~4
Flexible (AWG/mm ²)	28~10	0.2~4
Rated impulse voltage	8KV	
Torque (N-m)	0.5~0.6	
Screw	M3	
Wire strip length	7~8mm	
Number of Positions		
02~12P		
Accessories		
ESDK1	P66	

3ESNVH-XXP



3ESNVHM-XXP



Socket

3EHDV-XXP	P78
3EHDVC-XXP	P78
3EHDR-XXP	P78
3EHDRC-XXP	P78

Please refer to the related page number for the compatible headers.

Socket

3EHDVM-XXP	P78
3EHDRM-XXP	P78

Please refer to the related page number for the compatible headers.

Socket



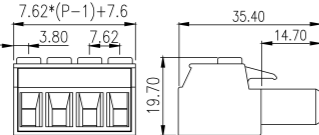
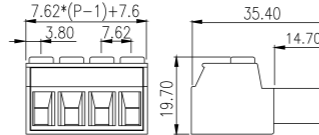
3EHDV-XXP	P78
3EHDVC-XXP	P78
3EHDR-XXP	P78
3EHDRC-XXP	P78



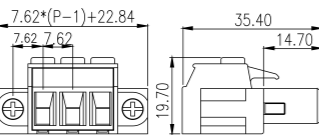
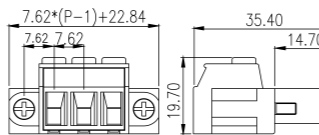
Please refer to the related page number for the compatible headers.


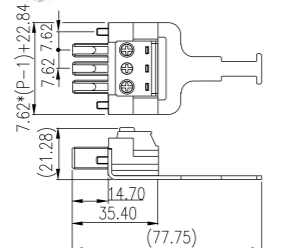
Socket



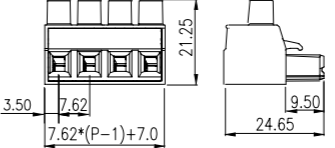
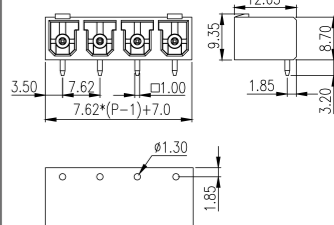
3EHDVM-XXP	P78
3EHDRM-XXP	P78



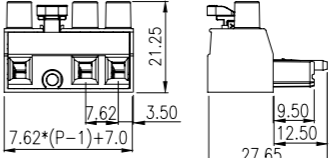
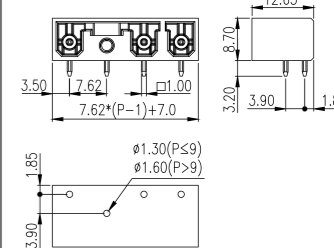
Please refer to the related page number for the compatible headers.



7.62mm			EC762HV-XXP		EC762HVN-XXP		Socket	
Technical Data	UL	IEC	 600V	 600V	ECH762V-XXP	P79	Please refer to the related page number for the compatible headers.	
Rated voltage	600V	1000V			ECH762R-XXP	P79		
Rated current	41A	41A			ECH762RR-XXP	P79		
Solid (AWG/mm ²)	30-8	0.2-6			ECH762HR-XXP	P79		
Flexible (AWG/mm ²)	30-8	0.2-6			ECH762HRR-XXP	P79		
Rated impulse voltage	8KV							
Torque (N-m)	0.5-0.6							
Screw	M3							
Wire strip length	10-11mm							
Number of Positions								
02-12P								
Accessories								
ECHK2	P66							



7.62mm			EC762HVM-XXP		EC762HVM-XXP		Socket	
Technical Data	UL	IEC	 600V	 600V	ECH762VM-XXP	P79	Please refer to the related page number for the compatible headers.	
Rated voltage	600V	630V			ECH762RM-XXP	P79		
Rated current	25A	32A			ECH762RRM-XXP	P79		
Solid (AWG/mm ²)	20-10	0.2-6			ECH762RTM-XXP	P79		
Flexible (AWG/mm ²)	20-10	0.2-6			ECH762VTM-XXP	P79		
Rated impulse voltage	6KV							
Torque (N-m)	0.5-0.6							
Screw	M3							
Wire strip length	8-9mm							
Number of Positions								
02-12P								
Accessories								
ECHK2	P66							

7.62mm			EC762HLNM-XXP	
Technical Data	UL	IEC	 600V	
Rated voltage	600V	1000V		
Rated current	41A	41A		
Solid (AWG/mm ²)	30-8	0.2-6		
Flexible (AWG/mm ²)	30-8	0.2-6		
Rated impulse voltage	8KV			
Torque (N-m)	0.5-0.6			
Screw	M3			
Wire strip length	7-8mm			
Number of Positions				
02-04P&07P				
Accessories				
ESDK2	P65			

7.62mm			0183-01XX		7.62mm			0183-11XX	
Technical Data	UL	IEC	 600V		0183-11XX	02-12P	Please refer to the related page number for the compatible headers.		
Rated voltage	600V	630V			0183-11XX	02-12P			
Rated current	25A	32A			0183-11XX	02-12P			
Solid (AWG/mm ²)	20-10	0.2-6			0183-11XX	02-12P			
Flexible (AWG/mm ²)	20-10	0.2-6			0183-11XX	02-12P			
Rated impulse voltage	6KV								
Torque (N-m)	0.5-0.6								
Screw	M3								
Wire strip length	8-9mm								
Number of Positions									
02-12P									
Accessories									
0183-01XX	02-12P								
0183-01XX	03-12P								


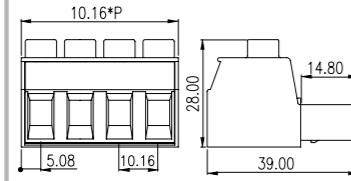
7.62mm			0183-01XX		7.62mm			0183-11XX	
Technical Data	UL	IEC	 600V		0183-01XX	02-12P	Please refer to the related page number for the compatible headers.		
Rated voltage	600V	630V			0183-01XX	02-12P			
Rated current	25A	32A			0183-01XX	02-12P			
Solid (AWG/mm ²)	20-10	0.2-6			0183-01XX	02-12P			
Flexible (AWG/mm ²)	20-10	0.2-6			0183-01XX	02-12P			
Rated impulse voltage	6KV								
Torque (N-m)	0.5-0.6								
Screw	M3								
Wire strip length	8-9mm								
Number of Positions									
02-12P									
Accessories									
0183-01XX	02-12P								
0183-01XX	03-12P								

8.80mm			EC880HV-XXP		EC880HVT-XXP	
Technical Data	UL	IEC				
Rated voltage	600V	750V				
Rated current	65A	57A				
Solid (AWG/mm ²)	20-6	0.5-10				
Flexible (AWG/mm ²)	20-6	0.5-10				
Rated impulse voltage	8KV					
Torque (N-m)	1.8					
Screw	M4					
Wire strip length	8-9mm					
Number of Positions						
02-12P						
Accessories						
02-12P						

8.80mm			ECH880HR-XXP		ECH880RT-XXP	
Technical Data	UL	IEC				
Rated voltage	600V	750V				
Rated current	65A	57A				
Solid (AWG/mm ²)	20-6	0.5-10				
Flexible (AWG/mm ²)	20-6	0.5-10				
Rated impulse voltage	8KV					
Torque (N-m)	1.8					
Screw	M4					
Wire strip length	8-9mm					
Number of Positions						
02-12P						
Accessories						
02-12P						


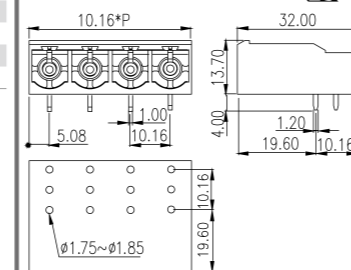
10.16mm EC116V-XXP

Technical Data		
UL	IEC	
Rated voltage	600V	1000V
Rated current	51A	76A
Solid (AWG/mm ²)	16~6	0.5~16
Flexible (AWG/mm ²)	16~6	0.5~16
Rated impulse voltage	8KV	
Torque (N-m)	1.2~1.5	
Screw	M4	
Wire strip length	14~15mm	
Number of Positions		
02~10P		
Accessories		
ECHK2	P66	


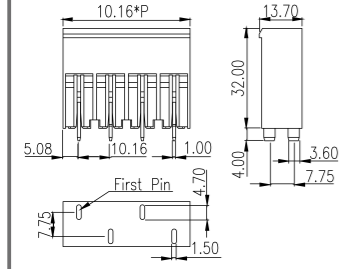



10.16mm ECH116R-XXP


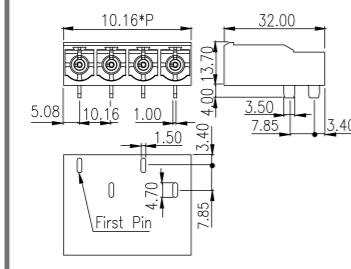
Technical Data		
UL	IEC	
Rated voltage	300V	1000V
ECH116V-XXP	600V	
ECH116L-XXP	600V	
ECH116HVS-XXP	600V	
ECH116HRS-XXP	600V	
Rated current	51A	76A
Rated impulse voltage	8KV	
Number of Positions		
02~10P		
Accessories		
ECHK2	P66	


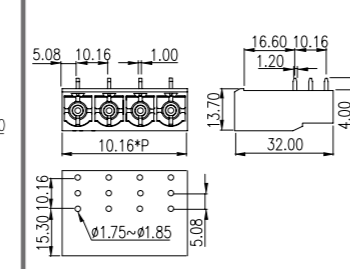
ECH116HVS-XXP


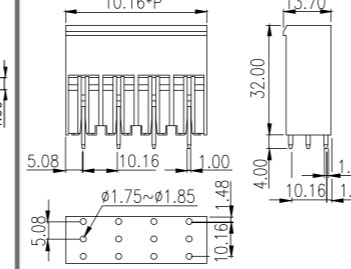
ECH116HRS-XXP

ECH116L-XXP


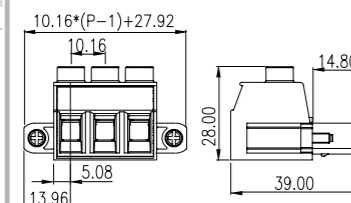



ECH116V-XXP


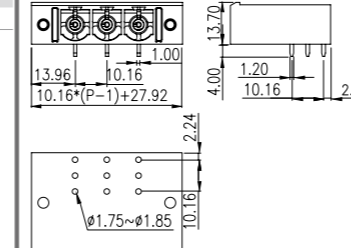
10.16mm EC116VM-XXP

Technical Data		
UL	IEC	
Rated voltage	600V	1000V
Rated current	51A	76A
Solid (AWG/mm ²)	16~6	0.5~16
Flexible (AWG/mm ²)	16~6	0.5~16
Rated impulse voltage	8KV	
Torque (N-m)	1.2~1.5	
Screw	M4	
Wire strip length	14~15mm	
Number of Positions		
02~08P		
Accessories		
ECHK2	P66	


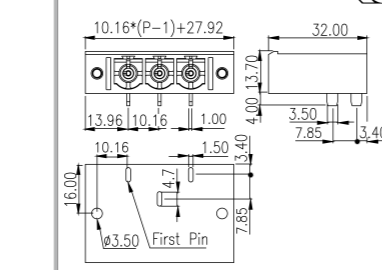



10.16mm ECH116RM-XXP


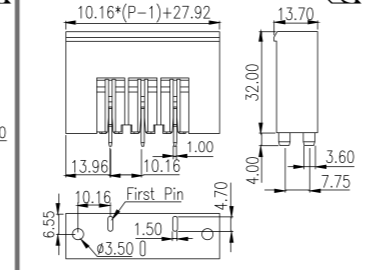
Technical Data		
UL	IEC	
Rated voltage	300V	1000V
ECH116RM-XXP	600V	
ECH116HVSM-XXP	600V	
ECH116HRSM-XXP	600V	
Rated current	51A	76A
Rated impulse voltage	8KV	
Number of Positions		
02~08P		
Accessories		
ECHK2	P66	

ECH116HRSM-XXP


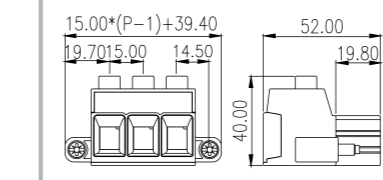



ECH116HVSM-XXP

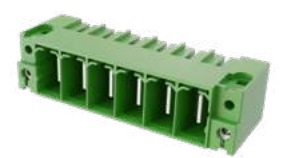
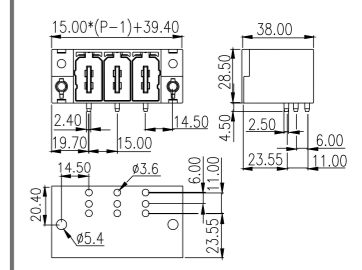
15.00mm EC150VM-XXP

Technical Data		
UL	IEC	
Rated voltage	600V	1000V
Rated current	115A	125A
Solid (AWG/mm ²)	20~2	0.5~35
Flexible (AWG/mm ²)	20~2	0.5~35
Rated impulse voltage	8KV	
Torque (N-m)	2.5~4	
Screw	M5	
Wire strip length	19~20mm	
Number of Positions		
02~08P		

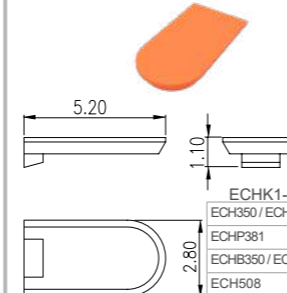
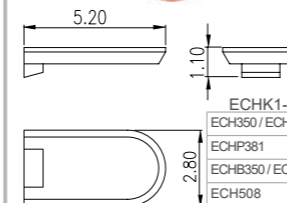



15.00mm ECH150RM-XXP

Technical Data		
UL	IEC	
Rated voltage	600V	1000V
Rated current	115A	125A
Rated impulse voltage	8KV	
Number of Positions		
02~08P		

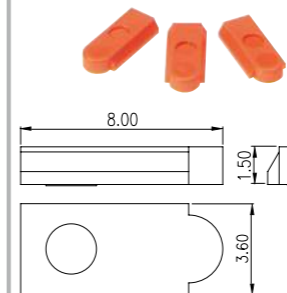
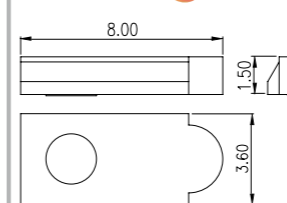



ECHK1

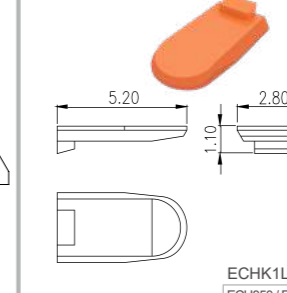
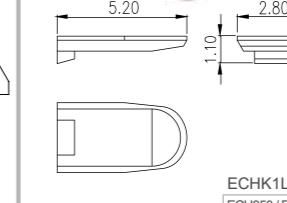
ECHK1-For
ECH350 / ECH381
ECHP381
ECHB350 / ECHB381
ECH508
EECH350 / EECH381
0221-25XX
0221-33XX
0221-39XX
0221-41XX
0221-51XX
0221-52XX

ECHK2

ECHK2-For
EC116
EC762
ECH116
ECH762

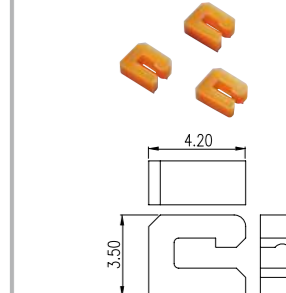
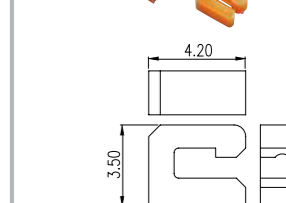
ECHK1L

ECHK1L-For
ECH350 / ECH381
0221-25XX
0221-33XX
0221-39XX
0221-41XX
0221-51XX
0221-52XX

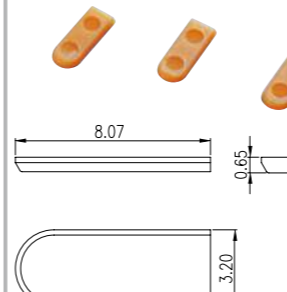
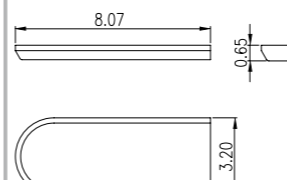
For THR applications

EHDK1

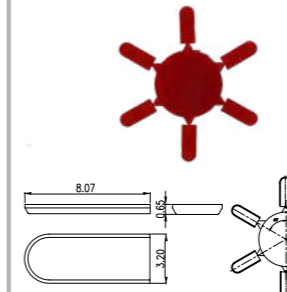
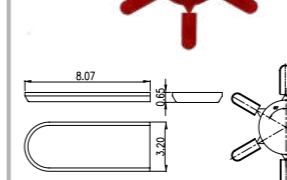
EHDK1-For
2EHD
3EHD
5EHD
7EHD

ESDK1

ESDK1-For
2ESD
3ESD
5ESD
7ESD

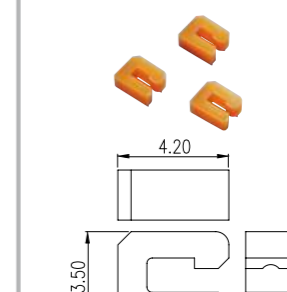
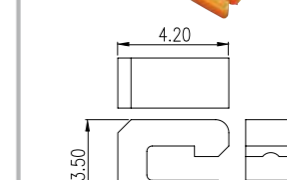
ESDK2

ESDK2-For
2ESD
5ESD
7ESD

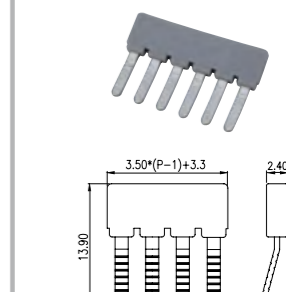
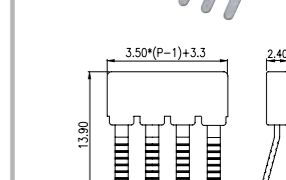
* 6pcs of ESDK1

EHDK1L

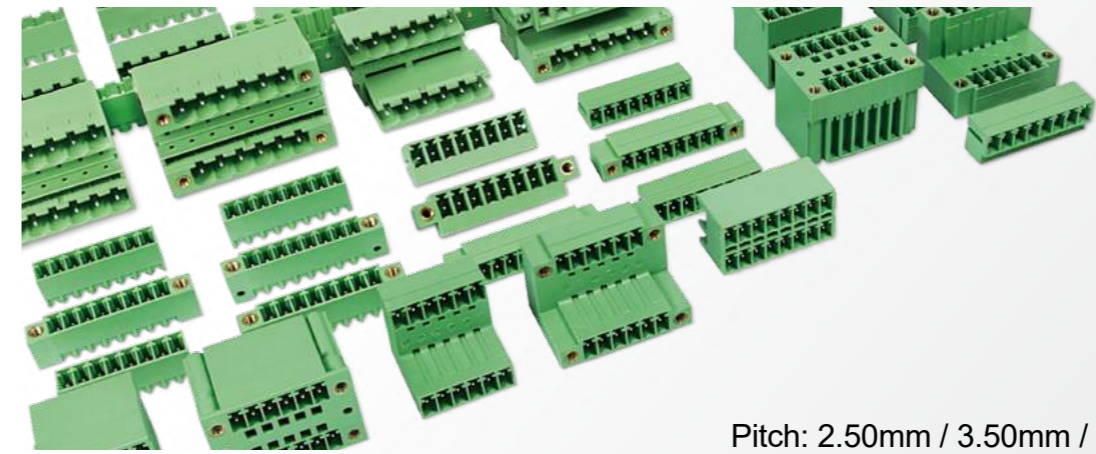
EHDK1L-For
2EHD
5EHD

CSC-01XX

CSC-01XX-For
EC350

PCB Sockets



Materials: General engineering insulation for wave soldering process
temperature withstand insulation for reflow soldering process




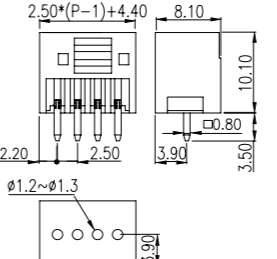
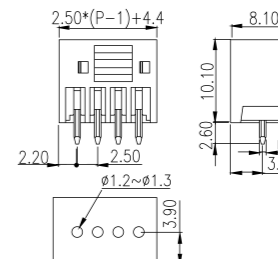
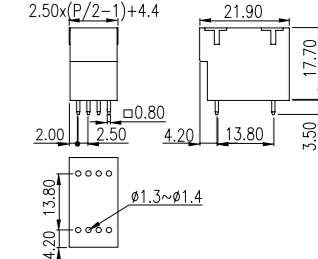



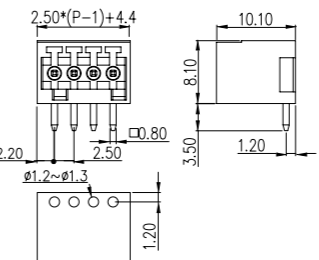
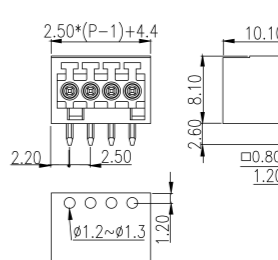
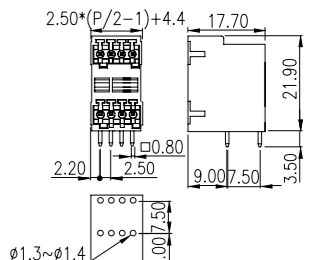
Pin lengths: Standard length 3.5mm for wave soldering process
Through-hole reflow (THR) version socket is available, standard pin length 2.6mm.
(The last suffix "L" represents THR version.)

Pitch: 2.50mm / 3.50mm / 3.81mm / 5.00mm / 5.08mm / 7.50mm / 7.62mm

UL Rated: 150V / 4A, 300V / 8A, 300V / 15A, 300V / 30A, 600V / 30A

IEC Rated: 320V / 4A ~ 1000V / 41A

- Single & double level and single & double row sockets for options
- Horizontal, vertical and 45 degrees plug-in direction
- with screw flange and lock flange versions.

2.50mm		ECH250V-XXP	ECH250V-XXPL	ECHB250V-XXP
Technical Data	UL IEC			
Rated voltage	150V 320V			
Rated current	4A 4A			
Rated impulse voltage	2.5KV			
Number of Positions				
ECH250V-XXP	02~24P			
ECH250R-XXP				
ECH250V-XXPL				
ECH250R-XXPL				
ECHB250V-XXP	04~48P			
ECHB250R-XXP				
* The last suffix "L" of part number represents THR version				

3.5mm

Technical Data		UL	IEC
Rated voltage		300V	320V
Rated current		8A	14A
Rated impulse voltage			2.5KV
Number of Positions			
ECH350RG-XXP		02~10P	
ECHG1-XXP			
ECH350H-XXP		02~18P	
ECH350V-XXP			
ECH350VD-XXP			
ECH350R-XXP			
ECH350RD-XXP			
ECH350RR-XXP			
ECH350VJ-XXPL			
ECH350V-XXPL			
ECH350R-XXPL			
ECH350RR-XXPL			
ECH350J-XXP		02~24P	
ECH350R-XXP			
ECH350RM-XXP			
ECH350RRM-XXP			
ECH350VT-XXPL			
ECH350VM-XXPL			
ECH350RM-XXPL			
ECH350RRM-XXPL			
ECH350RT-XXPL			
EECH350V-XXP			
ECHB350VM-XXP		04~32P	
ECH350R-XXP			
ECHB350RM-XXP		04~36P	
EECH350VM-XXP			
EECH350RM-XXP		04~40P	
ECHB350V-XXP			
ECHB350R-XXP		04~44P	
Accessories			
ECHK1		P66	

* Applied with light pipe
 * The last suffix "L" of part number represents THR version and the accessories is EHDK1L (P66)

ECH350V-XXP

ECH350R-XXP

ECH350RR-XXP

ECH350R-XXPL

ECH350R-XXPL

ECH350R-XXPL

ECH350R-XXPL

ECH350R-XXPL

ECH350V-XXPL

ECH350R-XXPL

ECH350RR-XXPL

ECH350R-XXPL

ECH350R-XXPL

ECH350R-XXPL

ECH350R-XXPL

ECH350R-XXPL

ECH350VD-XXP

ECH350VM-XXP

ECH350RM-XXP

ECH350RRM-XXP

ECH350VJ-XXP

ECH350H-XXP

EECH350R-XXP

ECHB350R-XXP

ECH350RD-XXP

ECH350RD-XXP

ECH350VM-XXPL

ECH350RM-XXPL

ECH350RRM-XXPL

ECH350VJ-XXPL

ECH350RG-XXP

EECH350RM-XXP

ECHB350RM-XXP

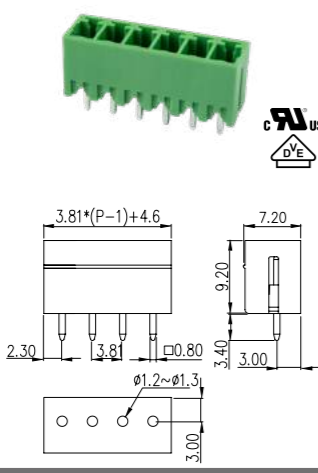
ECHB350RM-XXP

3.81mm

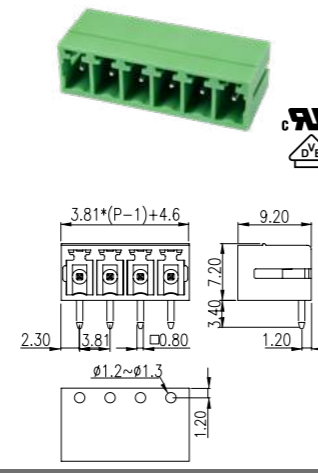
Technical Data		UL	IEC
Rated voltage		300V	320V
Rated current		8A	14A
Rated impulse voltage			2.5kV
Number of Positions			
ECH381H-XXP		02~18P	
ECH381V-XXP			
ECH381VD-XXP			
ECH381R-XXP			
ECH381RD-XXP			
ECH381RR-XXP			
ECH381A-XXP			
ECH381V-XXPL			
ECH381R-XXPL			
ECH381RR-XXPL			
ECH381AM-XXP			
ECH381VM-XXP			
ECH381RM-XXP			
ECH381RRM-XXP			
ECH381VJ-XXP			
ECH381VJ-XXPL			
ECH381VM-XXPL			
ECH381RM-XXPL			
ECH381RRM-XXPL			
ECH381RJ-XXP			
ECH381RJ-XXPL			
ECHB381VM-XXP			
EECH381V-XXP		04~32P	
ECHB381R-XXP		04~36P	
EECH381R-XXP		04~48P	
ECHB381RRD-XXP			
Accessories			
ECHK1		P66	

* The last suffix "L" of part number represents THR version and the accessories is EHDK1L (P66)

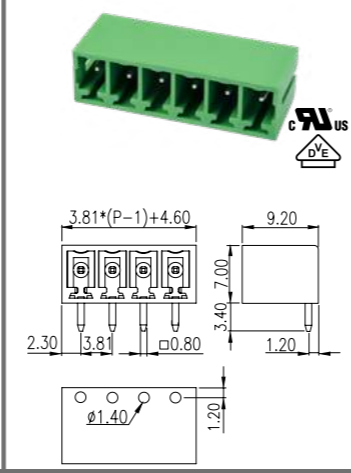
ECH381V-XXP



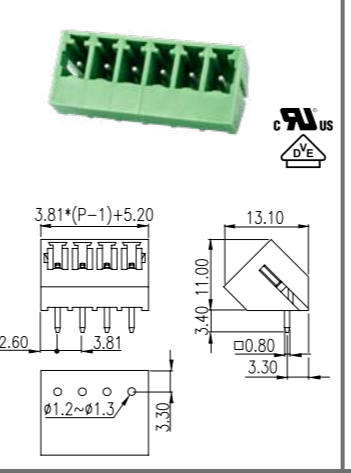
ECH381R-XXP



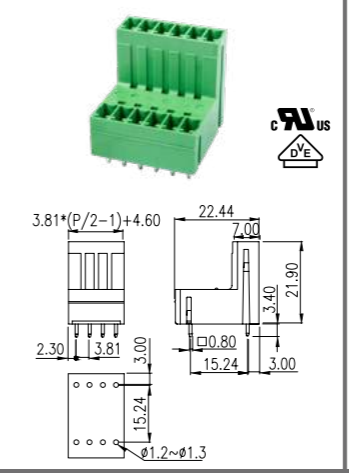
ECH381RR-XXP



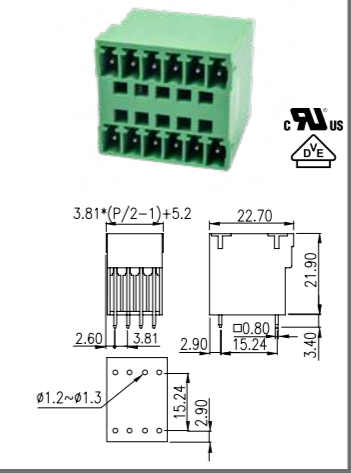
ECH381A-XXP



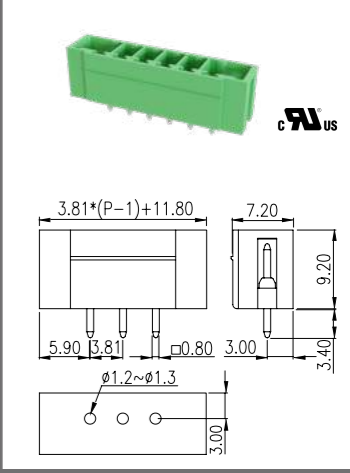
EECH381V-XXP



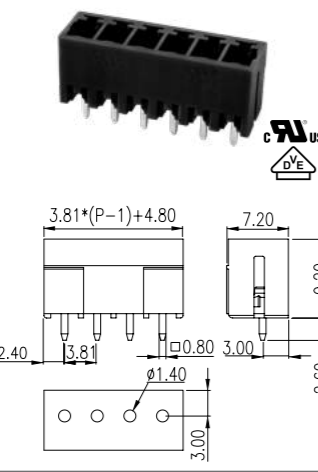
ECHB381V-XXP



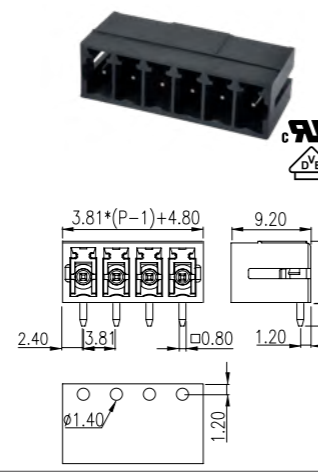
ECH381VJ-XXP



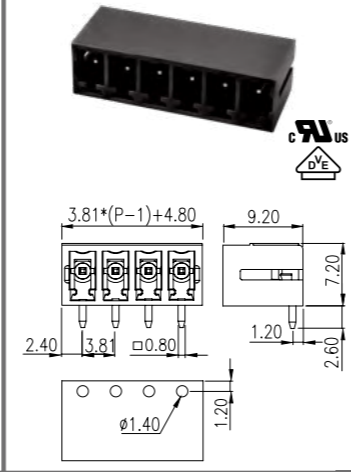
ECH381V-XXPL



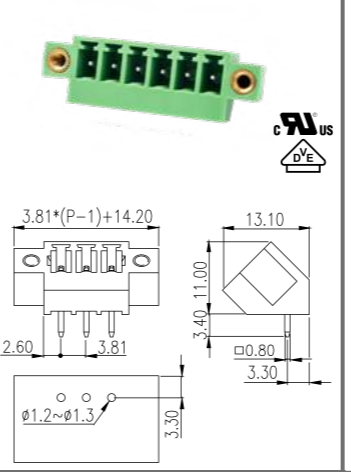
ECH381R-XXPL



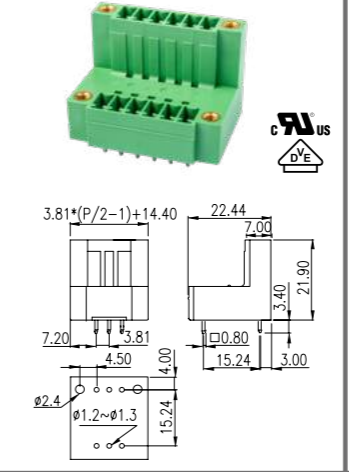
ECH381RR-XXPL



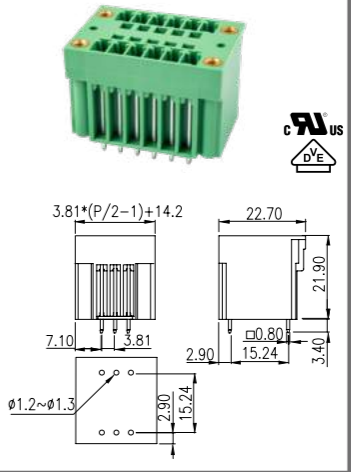
ECH381AM-XXP



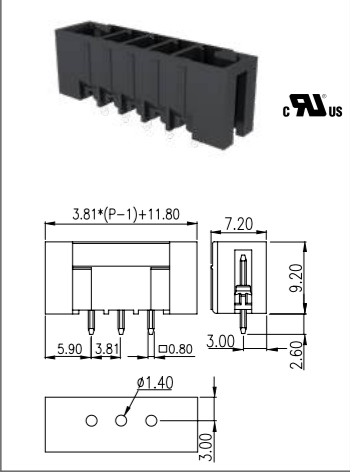
EECH381VM-XXP



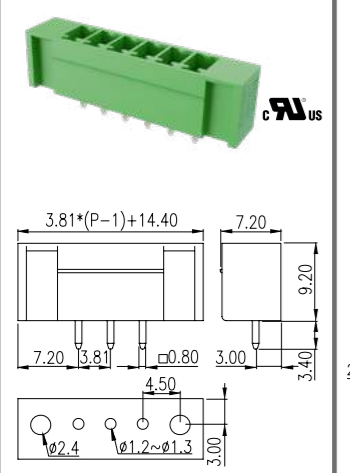
ECHB381VM-XXP



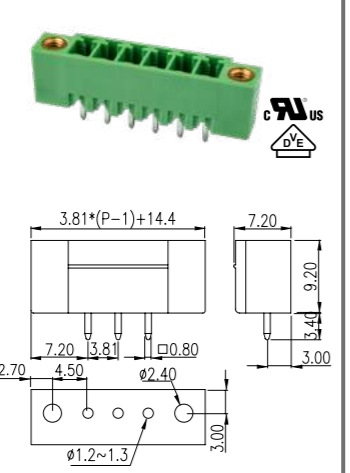
ECH381VJ-XXPL



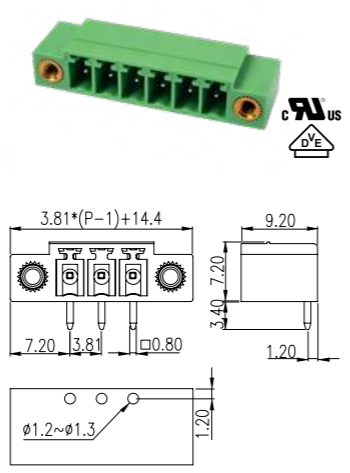
ECH381VD-XXP



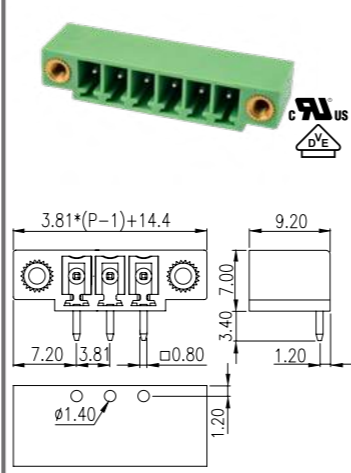
ECH381VM-XXP



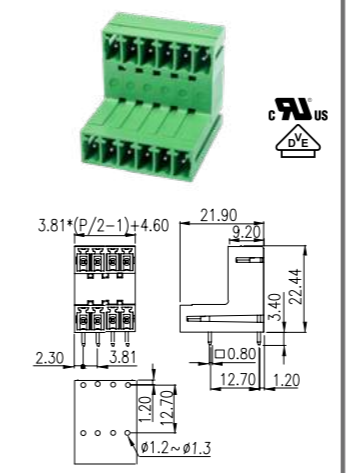
ECH381RM-XXP



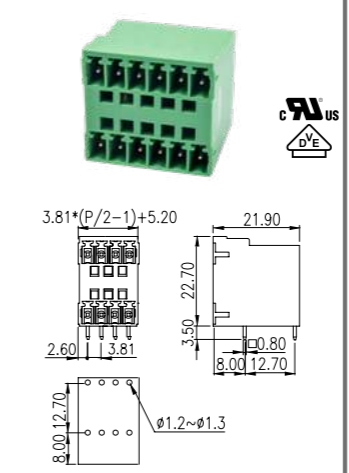
ECH381RRM-XXP



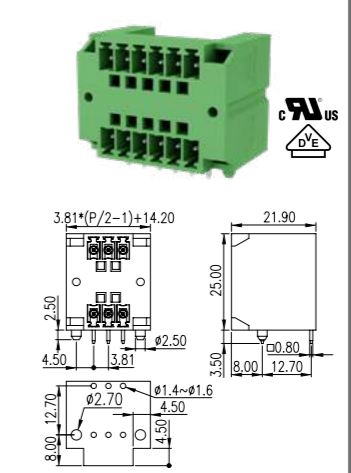
EECH381R-XXP



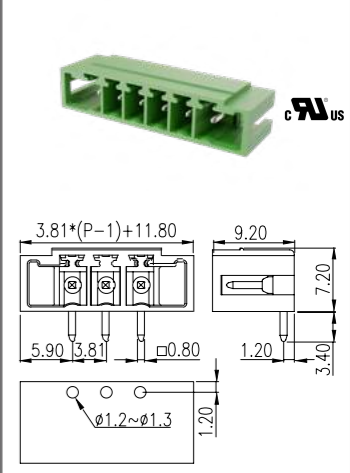
ECHB381R-XXP



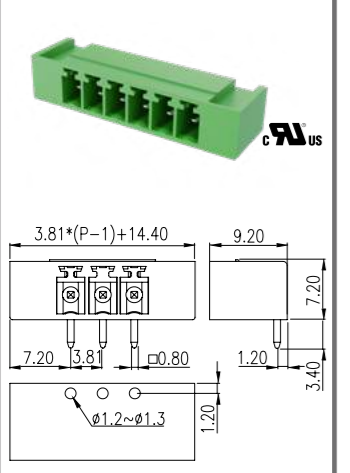
ECHB381RRD-XXP



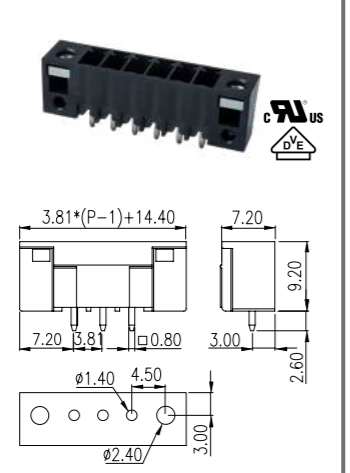
ECH381RJ-XXP



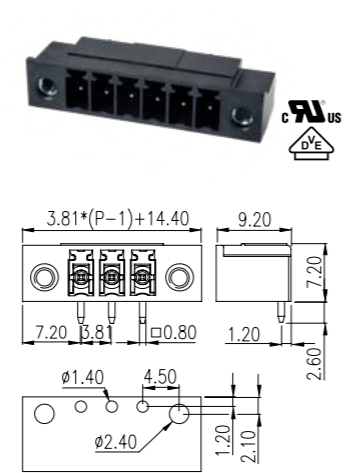
ECH381RD-XXP



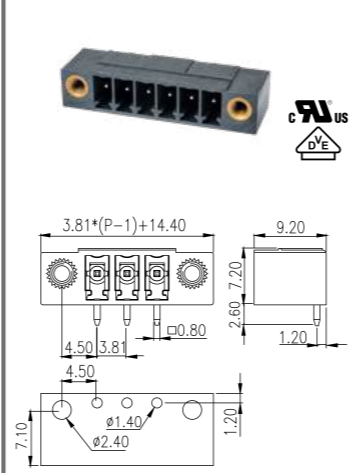
ECH381VM-XXPL



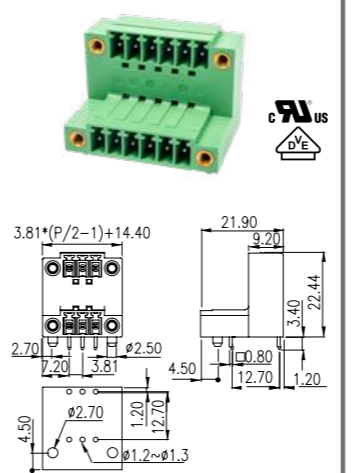
ECH381RM-XXPL



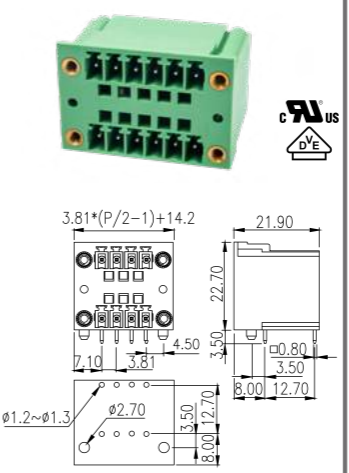
ECH381RRM-XXPL



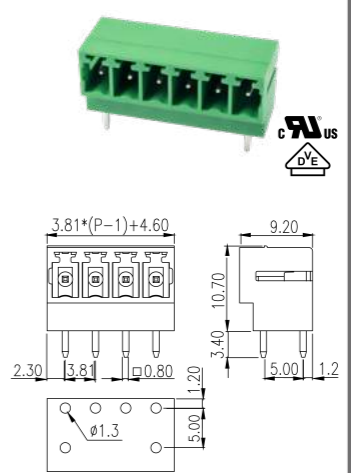
EECH381RM-XXP



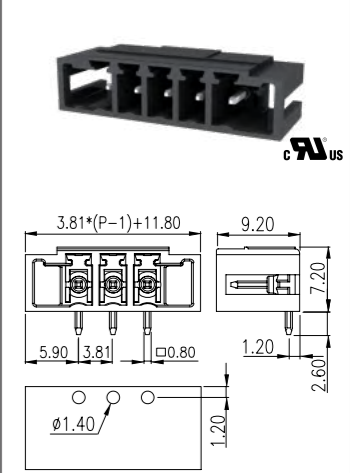
ECHB381RM-XXP



ECH381H-XXP



ECH381RJ-XXPL



5.00mm

Technical Data	UL	IEC
Rated voltage	300V	600V
Rated current	15A	18A
Rated impulse voltage		4kV
Number of Positions		
5EHDRR-XXP	02~13P	
5EHDRRC-XXP		
5EHDV-XXP		
5EHDV-XXPL		
5EHDVC-XXP		
5EHDVC-XXPL		
5EHDVG-XXP		
5EHDVG-XXPL		
5EHDR-XXP		
5EHDR-XXPL		
5EHDRC-XXP	02~24P	
5EHDRC-XXPL		
5EHDRG-XXP		
5EHDRG-XXPL		
5EHDV-XXP		
5EHDV-XXPL		
5EHDVM-XXP		
5EHDVM-XXPL		
5EHDV-XXP		
5EHDV-XXPL		
5EHDV-XXP	04~24P	
5EHDV-XXPL		
5EHDV-XXP		
5EHDV-XXPL		
5EHDV-XXP		
5EHDV-XXPL		
5EHDV-XXP		
5EHDV-XXPL		
5EHDV-XXP		
5EHDV-XXPL		
5EHDV-XXP	04~36P	
5EHDV-XXPL		
5EHDV-XXP		
5EHDV-XXPL		
5EHDV-XXP		
5EHDV-XXPL		
5EHDV-XXP		
5EHDV-XXPL		
5EHDV-XXP		
5EHDV-XXPL		
5EHDV-XXP	04~40P	
5EHDV-XXPL		
5EHDV-XXP		
5EHDV-XXPL		
5EHDV-XXP		
5EHDV-XXPL		
5EHDV-XXP		
5EHDV-XXPL		
5EHDV-XXP		
5EHDV-XXPL		
5EHDV-XXP	04~48P	
5EHDV-XXPL		
5EHDV-XXP		
5EHDV-XXPL		
5EHDV-XXP		
5EHDV-XXPL		
5EHDV-XXP		
5EHDV-XXPL		
5EHDV-XXP		
5EHDV-XXPL		
5EHDV-XXP	04~56P	
5EHDV-XXPL		
5EHDV-XXP		
5EHDV-XXPL		
5EHDV-XXP		
5EHDV-XXPL		
5EHDV-XXP		
5EHDV-XXPL		
5EHDV-XXP		
5EHDV-XXPL		

Accessories
EHDK1 P66
* The last suffix "L" of part number represents THR version and the accessories is EHDK1L (P66)

5.08mm

ECH508V-XXP

5.08mm

2EHDV-XXP

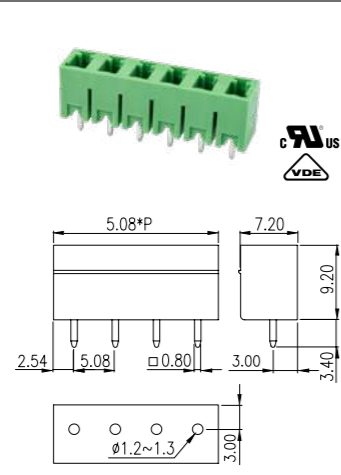
2EHDV-XXP

2EHDR-XXP

2EHDV-XXP

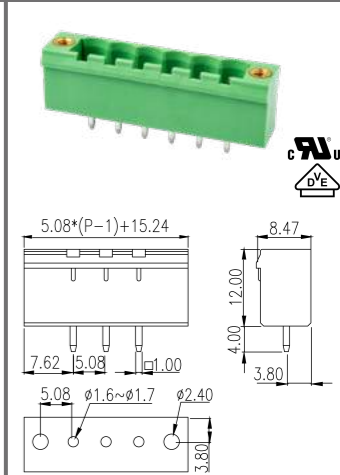
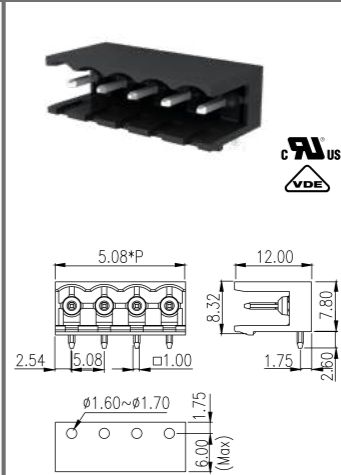
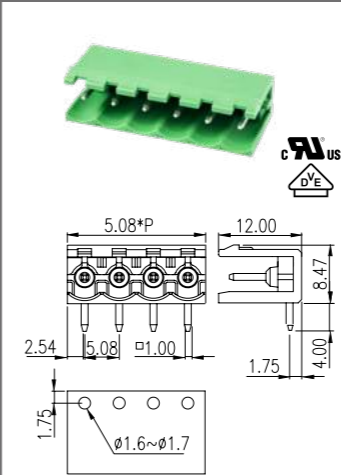
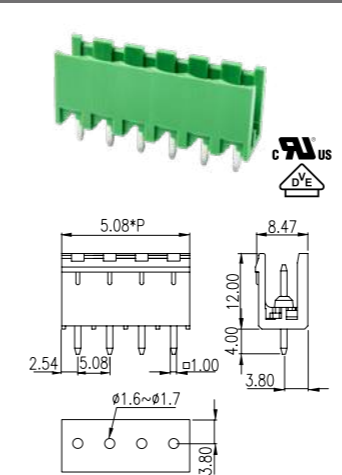
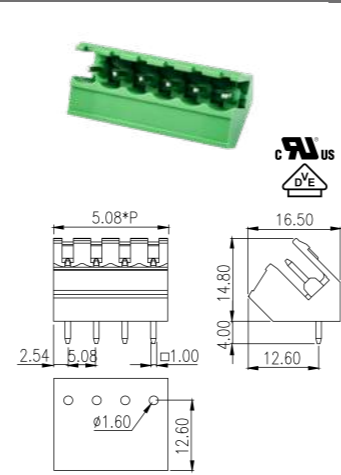
2EHDV-XXP

Technical Data	UL	IEC
Rated voltage	300V	600V
Rated current	12A	14A
Rated impulse voltage		4KV
Number of Positions		
02-24P		
Accessories		
EHDK1		P66

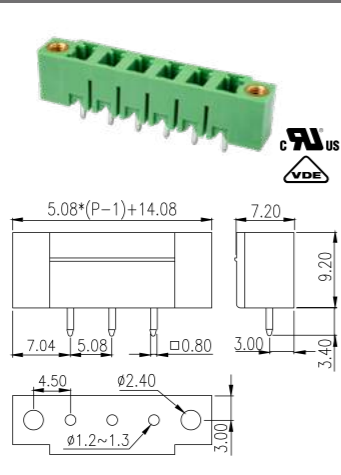


Technical Data	UL	IEC
Rated voltage	300V	630V
Rated current	20A	18A
Rated impulse voltage		4KV
Number of Positions		
02-24P		
Accessories		
EHDK1		P66

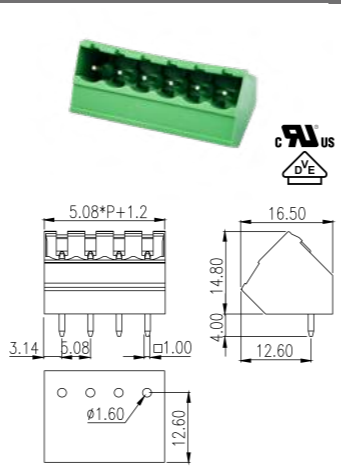
* The last suffix "L" of part number represents THR version and the accessories is EHDK1L (P66)



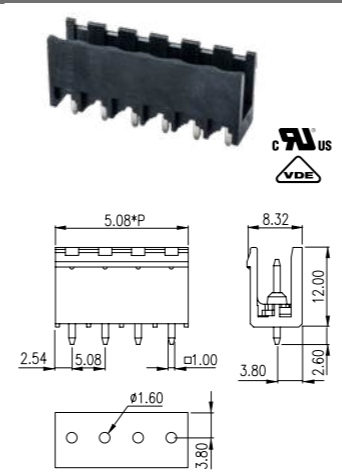
ECH508VM-XXP



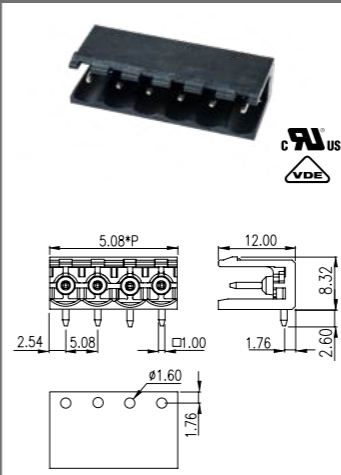
2EHDAC-XXP



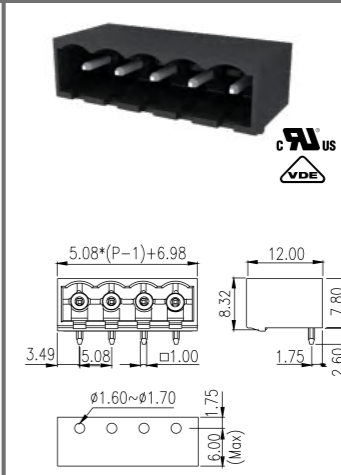
2EHDV-XXPL



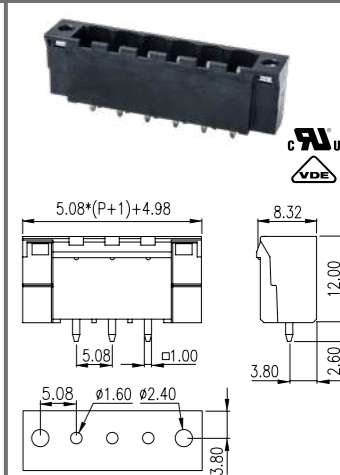
2EHDR-XXPL



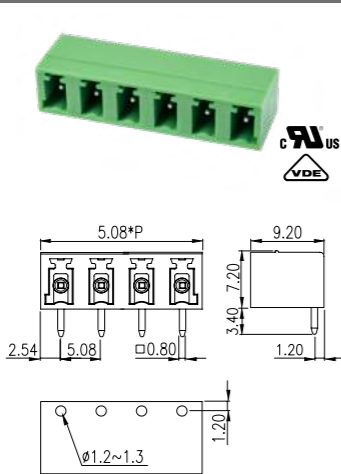
2EHDRC-XXPL



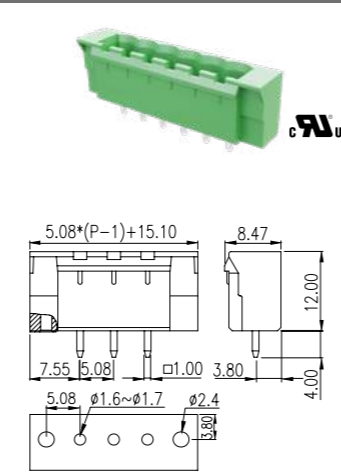
2EHDV-XXPL



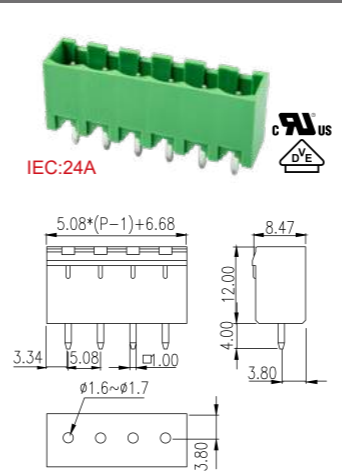
ECH508R-XXP



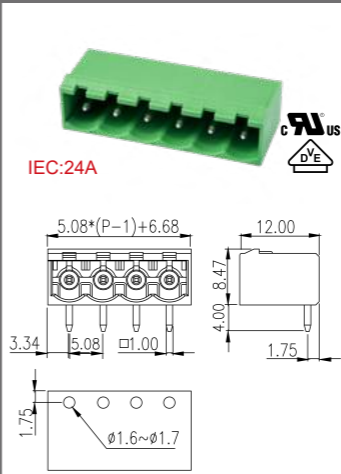
2EHDVG-XXP



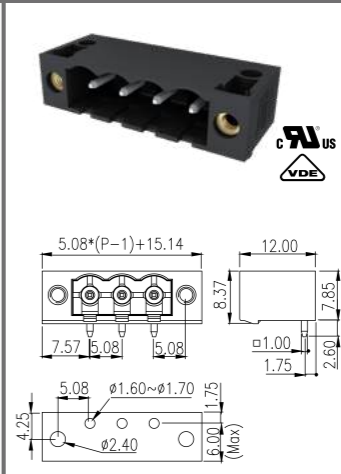
2EHDVC-XXP



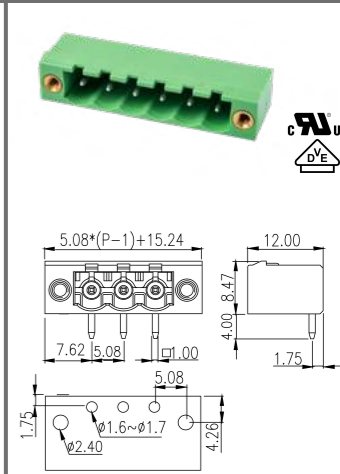
2EHDRC-XXP



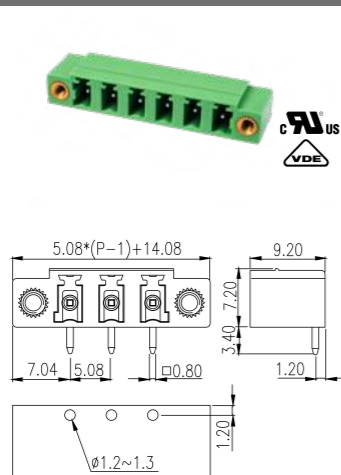
2EHDV-XXPL



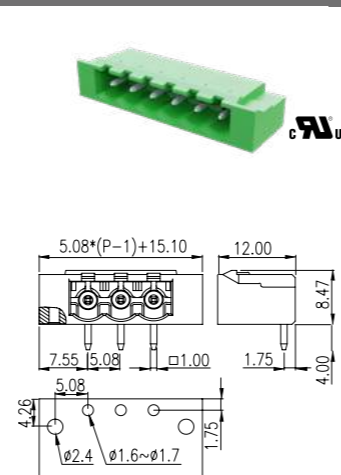
2EHDV-XXPL



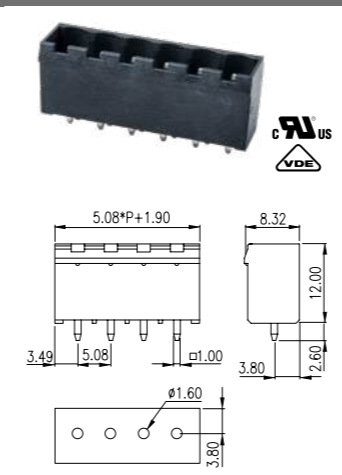
ECH508RM-XXP



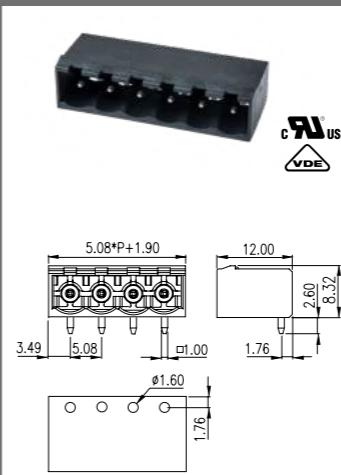
2EHDRG-XXP



2EHDV-XXPL



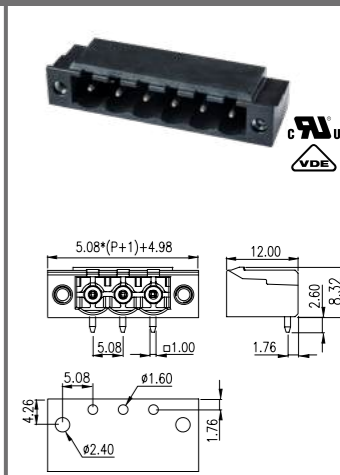
2EHDRC-XXPL



2EHDV-XXPL



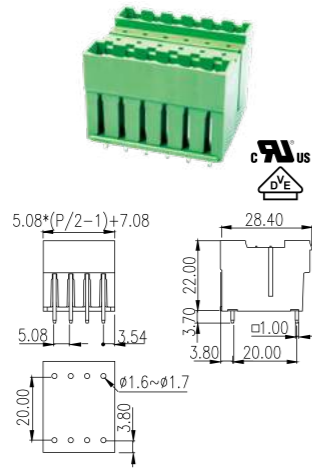
2EHDV-XXPL



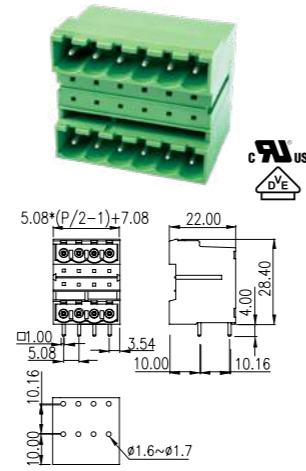
5.08mm

Technical Data	UL	IEC
Rated voltage	300V	630V
Rated current	15A	18A
Rated impulse voltage		4KV
Number of Positions		
2EHDBVM-XXP	04~44P	
2EHDBRM-XXP		
2EHDBV-XXP		
2EHDBR-XXP		
2EHDV-XXP	04~48P	
2EHDVM-XXP		
2EHDR-XXP		
2EHDRM-XXP		
Accessories		
EHDK1	P65	

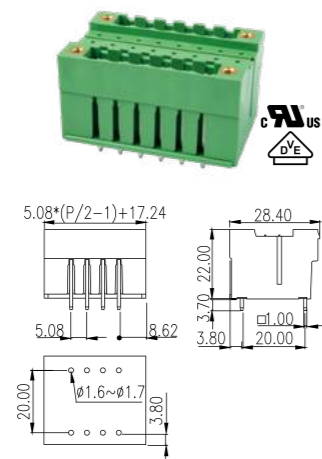
2EHDBV-XXP



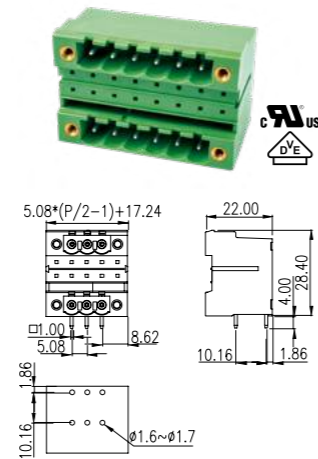
2EHDBR-XXP



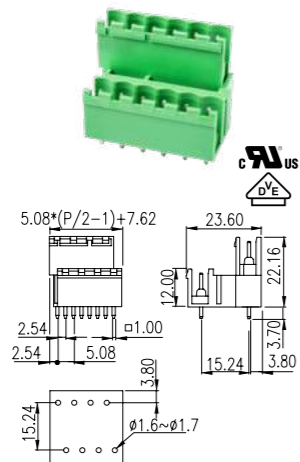
2EHDBVM-XXP



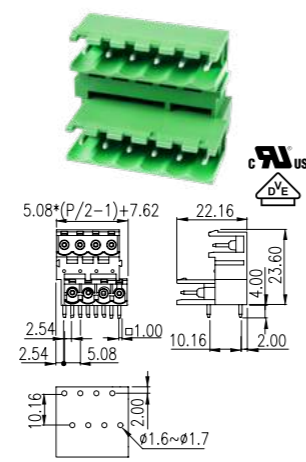
2EHDBRM-XXP



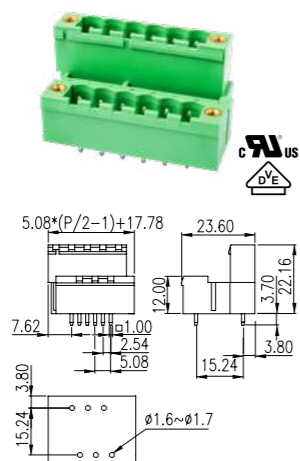
2EHDV-XXP



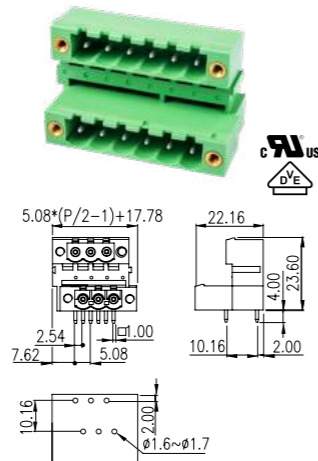
2EHDR-XXP



2EHDVM-XXP



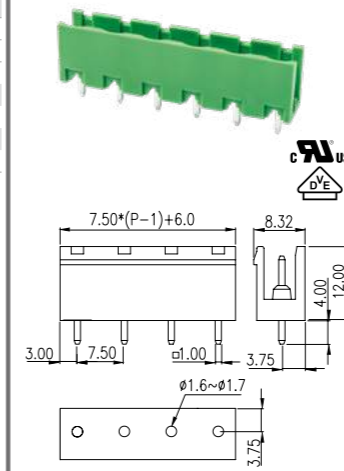
2EHDRM-XXP



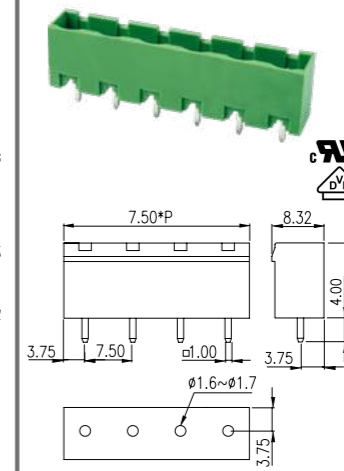
7.50mm

Technical Data	UL	IEC
Rated voltage	300V	800V
Rated current	15A	18A
Rated impulse voltage		6KV
Number of Positions		
	02~12P	
Accessories		
EHDK1	P65	

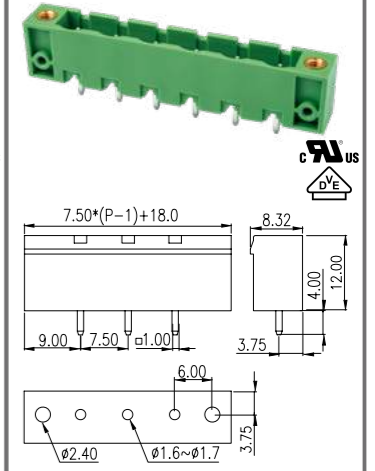
7EHDV-XXP



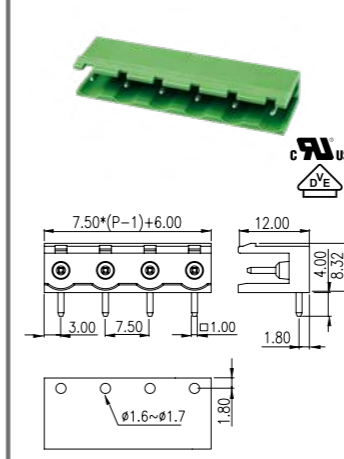
7EHDVC-XXP



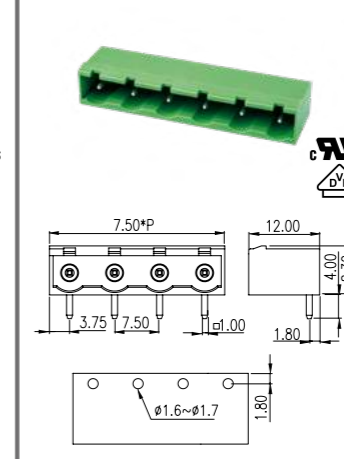
7EHDVM-XXP



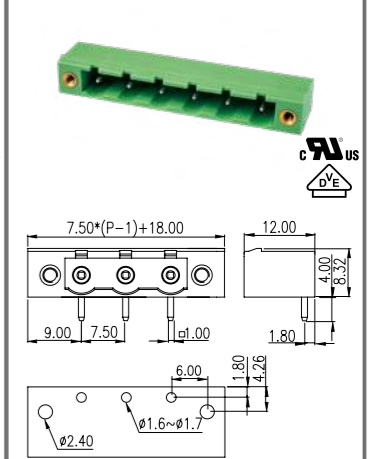
7EHDR-XXP



7EHDRC-XXP



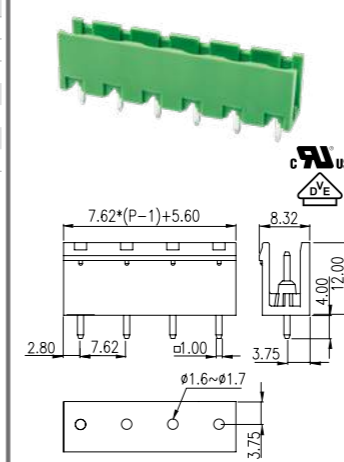
7EHDRM-XXP



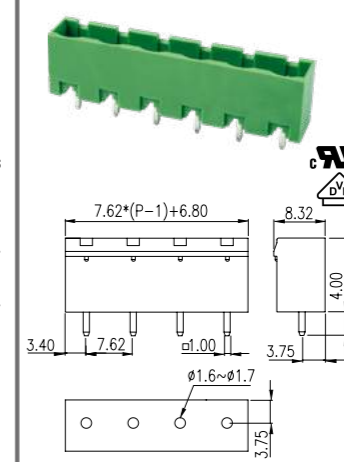
7.62mm

Technical Data	UL	IEC
Rated voltage	300V	800V
Rated current	25A	18A
Rated impulse voltage		6KV
Number of Positions		
	02~14P	
Accessories		
EHDK1	P65	

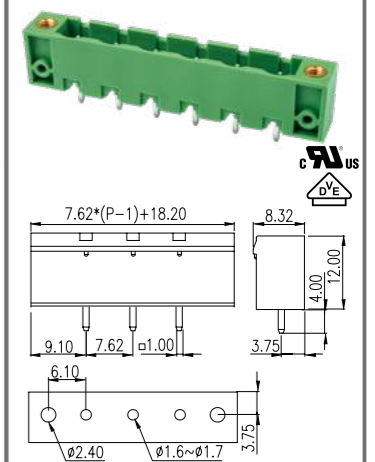
3EHDV-XXP



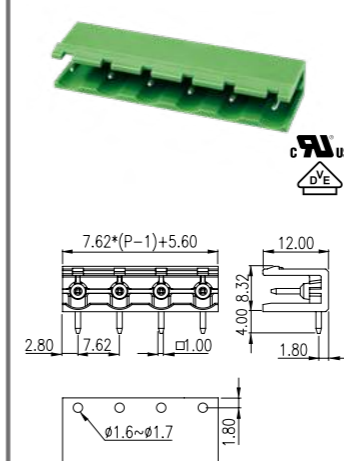
3EHDVC-XXP



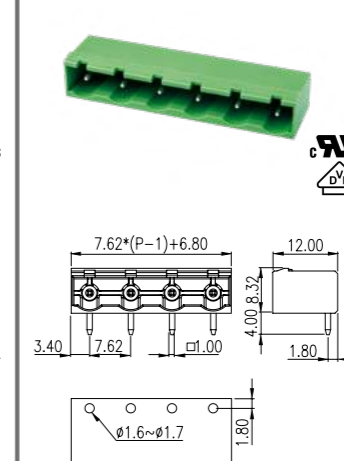
3EHDVM-XXP



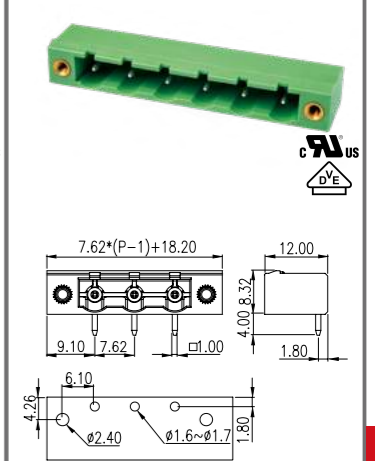
3EHDR-XXP



3EHDRC-XXP


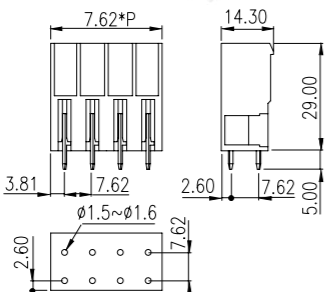


3EHDRM-XXP


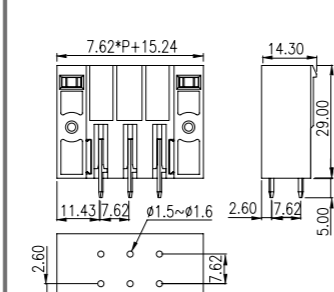


7.62mm		
Technical Data	UL	IEC
Rated voltage	300V	1000V
Rated current	30A	41A
Rated impulse voltage		8KV
Number of Positions		
02~12P		
Accessories		
ECHK2	P66	


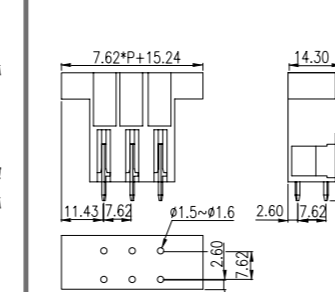
ECH762V-XXP


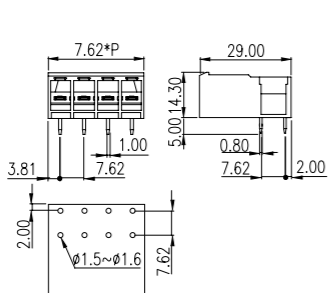
ECH762VM-XXP


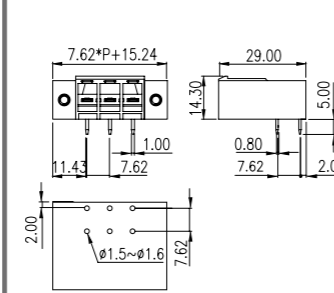
ECH762VTM-XXP


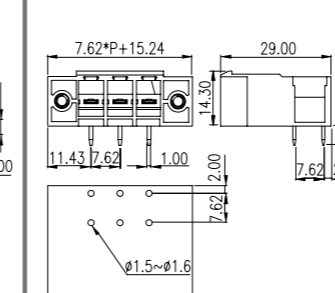
ECH762R-XXP

ECH762RM-XXP


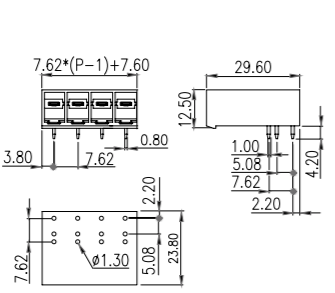



ECH762RTM-XXP


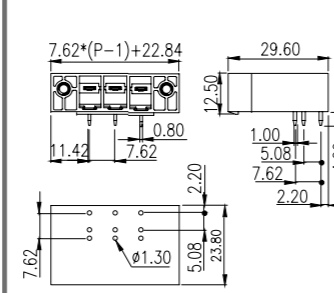



7.62mm		
Technical Data	UL	IEC
Rated voltage	300V	1000V
Rated current	41A	41A
Rated impulse voltage		6KV
Number of Positions		
02~12P		
Accessories		
ECHK2	P66	

ECH762RR-XXP


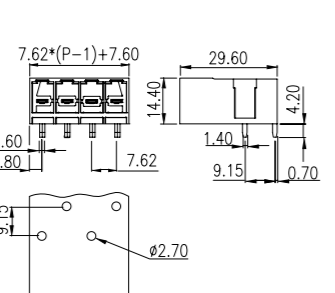



ECH762RRM-XXP


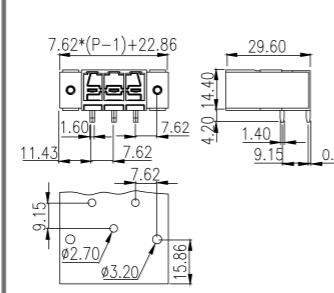



7.62mm		
Technical Data	UL	IEC
Rated voltage	600V	1000V
Rated current	41A	41A
Rated impulse voltage		8KV
Number of Positions		
02~12P		
Accessories		
ECHK2	P66	


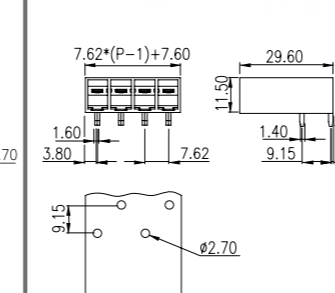
ECH762HR-XXP

ECH762HRM-XXP


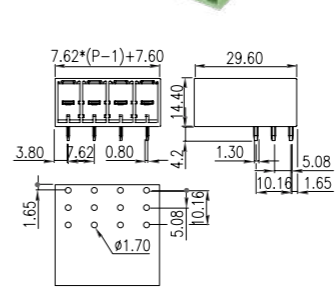



ECH762HRR-XXP


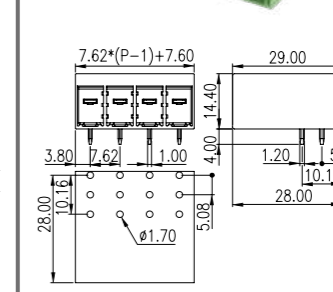




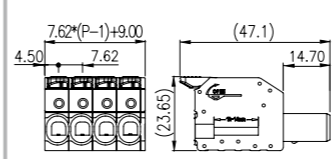
7.62mm		
Technical Data	UL	IEC
Rated voltage	300V	1000V
Rated current	35A	41A
Rated impulse voltage		8KV
Number of Positions		
02~12P		
Accessories		
ECHK2	P66	


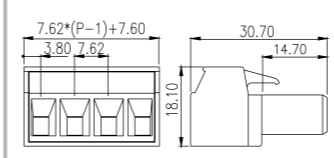
ECH762RE-XXP


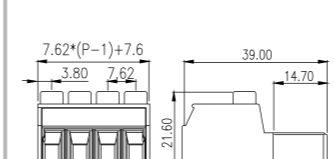



ECH762RRE-XXP

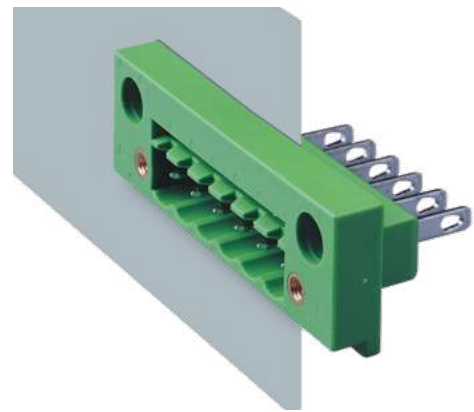



0258-61XX	Socket	Rated Current
 	ECH762RE-XXP	35A
	ECH762RRE-XXP	35A

EC762V-XXP	Socket	Rated Current
 	ECH762V-XXP	30A
	ECH762VM-XXP	
	ECH762VTM-XXP	
	ECH762R-XXP	
	ECH762RM-XXP	
	ECH762RTM-XXP	
	ECH762RR-XXP	
	ECH762RRM-XXP	
	ECH762HR-XXP	
ECH762HRM-XXP		
ECH762HRR-XXP		



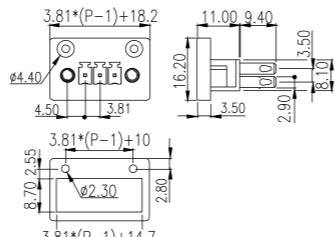
EC762H-XXP	Socket	Rated Current
 	ECH762V-XXP	30A
	ECH762VM-XXP	
	ECH762VTM-XXP	
	ECH762R-XXP	
	ECH762RM-XXP	
	ECH762RTM-XXP	
	ECH762RR-XXP	41A
	ECH762RRM-XXP	
	ECH762HRR-XXP	







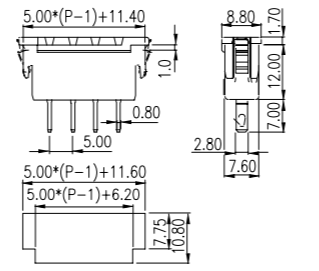
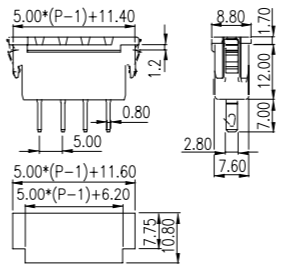
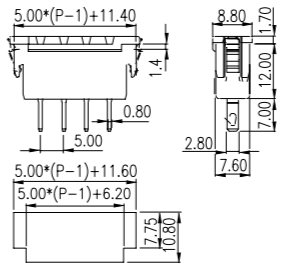
Feed-Through Headers

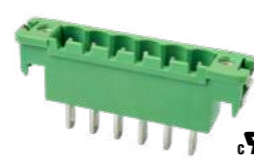

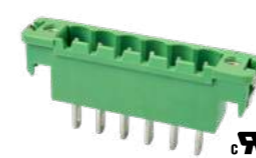

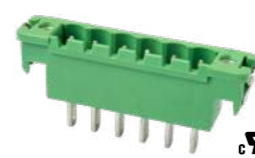



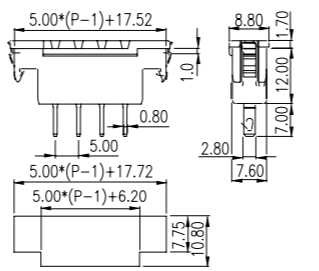
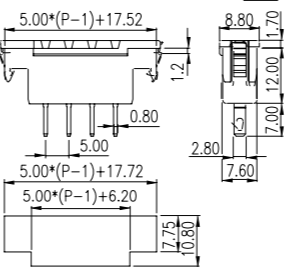
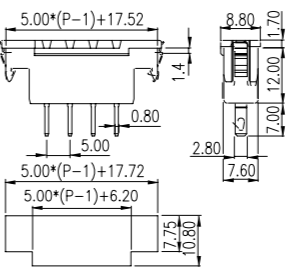
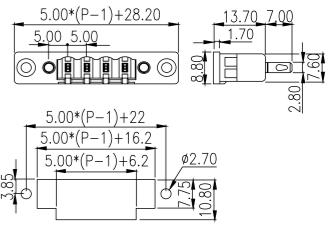







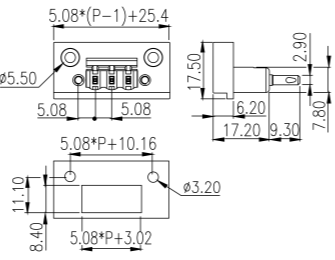
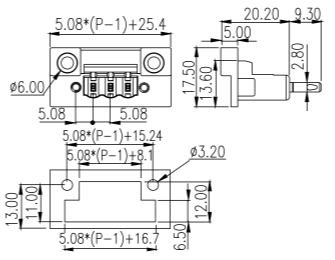
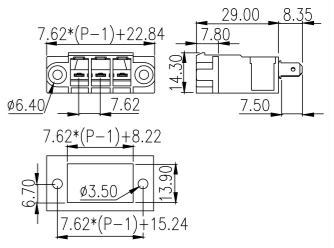
Feed-through headers create a pluggable connection with devices/equipment on its housing/cabinet. The pin design can be a permanent solution or a temporary solution, which brings extremely flexibility in your application, you can choose PID connection plug or screw connection plug to mate with your demand.

- Pin design can be soldered with wire as a permanent solution, for temporary use it can slip the wire on the pin to solve your connection demand
- The feed-through headers are universal for plugs in push-in connection or screw connection
- Cable connections inside the device allow flexible positioning of the panel feedthroughs

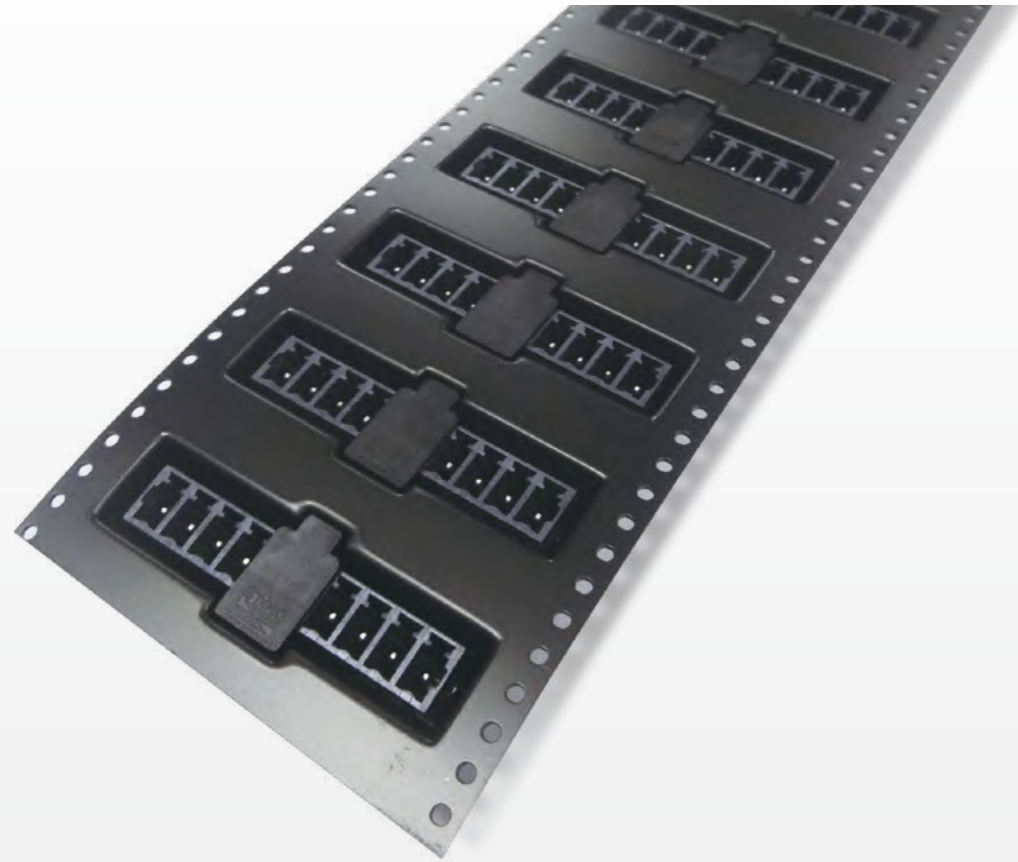
3.81mm		ECHP381V-XXP							
Technical Data	UL	IEC							
Rated voltage	300V	320V							
Rated current	8A	14A							
Rated impulse voltage		2.5KV							
Number of Positions									
02~24P									
Accessories									
ECHK1		P66							

5.00mm		5EHDK-XXP/1.0		5EHDK-XXP/1.2		5EHDK-XXP/1.4		5EHDK-XXP/1.6	
Technical Data	UL	IEC							
Rated voltage	300V	600V							
Rated current	15A	18A							
Rated impulse voltage		4KV							
Number of Positions									
02~12P									
Accessories									
EHDK1		P66							

5.00mm		5EHDKM-XXP/1.0		5EHDKM-XXP/1.2		5EHDKM-XXP/1.4		5EHDKM-XXP/1.6		5EHDKPM-XXP	
											
											

5.08mm		2EHDP-XXP		2EHDPN-XXP		7.62mm		ECHP762V-XXP	
Technical Data	UL	IEC							
Rated voltage	300V	630V							
Rated current	15A	18A							
Rated impulse voltage		4KV							
Number of Positions									
02~24P									
Accessories									
EHDK1		P66							

Tape & Reel Packaging



PCB Headers are delivered in tape-on-reel packaging according to IEC 60283-3 allowing for easy integration into automated assembly in the reflow process.

For 3.50 / 3.81 / 5.0 / 5.08 / 7.62 mm Pitches

- Part number contains letter "L" means its suitable for reflow process (e.g., 0156-24XXLWR, this item is suitable for reflow process.)
- Part number without "L" means it's suitable for wave soldering
- For headers with plug-in direction vertical to The PCB, pick up cap is included

Embossed Tape and Reel is used to facilitate automatic pick and place equipment feed requirements. The tape is used as the shipping container for various products and requires a minimum of handling. The antistatic/conductive tape provides a secure cavity for the product when sealed with the "peel-back" cover tape.



Pick up cap for vertical socket/header



T & R packaging in antistatic material



Customized tape, tube magazine packing by request

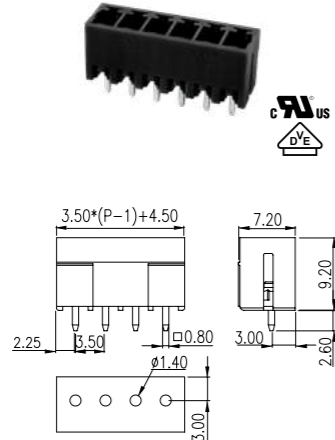
3.50mm			0156-26XX-BK-WR 0156-26XXLWR	0156-25XX-BK-WR 0156-25XXLWR	0156-29XX-BK-WR 0156-29XXLWR
Technical Data	UL	IEC			
Rated voltage	150V	320V			
Rated current	10A	10A			
Rated impulse voltage		2.5KV			
Number of Positions					
0156-24XX-BK-WR		04~28P			
0156-24XXLWR					
0156-20XX-BK-WR					
0156-20XXLWR					
0156-21XX-BK-WR					
0156-21XXLWR					
0156-21XX-BK-WR		04~32P			
0156-26XX-BK-WR					
0156-26XXLWR					
0156-29XX-BK-WR					
0156-29XXLWR					
0156-25XX-BK-WR					
0156-25XXLWR		04~36P			
* The last suffix "L" of part number represents THR version and the accessories is EHDK1L (P66)					
3.50mm			0156-21XX-BK-WR 0156-21XXLWR	0156-20XX-BK-WR 0156-20XXLWR	0156-24XX-BK-WR 0156-24XXLWR
3.50mm			0159-11XXWR 0159-11XXLWR	0159-31XXWR 0159-31XXLWR	
Technical Data	UL	IEC			
Rated voltage	150V	320V			
Rated current					
0159-11XXWR		10A			
0159-11XXLWR		8A			
0159-12XXWR					
0159-12XXLWR					
0159-31XXWR					
0159-31XXLWR					
0159-32XXWR					
0159-32XXLWR					
Rated impulse voltage					
Number of Positions					
0159-11XXWR		04~36P			
0159-11XXLWR					
0159-12XXWR					
0159-12XXLWR					
0159-31XXWR					
0159-31XXLWR		04~40P			
0159-32XXWR					
0159-32XXLWR					
* The last suffix "L" of part number represents THR version and the accessories is EHDK1L (P66)					
3.50mm			0159-12XXWR 0159-12XXLWR	0159-32XXWR 0159-32XXLWR	

3.50mm

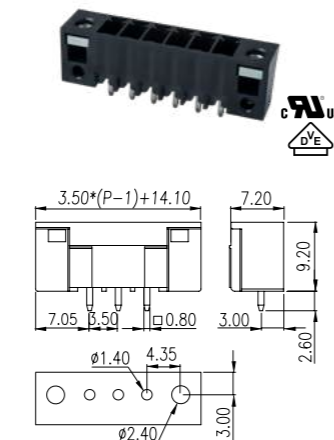
Technical Data		UL	IEC
Rated voltage		300V	320V
Rated current		8A	14A
Rated impulse voltage			2.5KV
Number of Positions			
ECH350VM-XXPWR		02~15P	
ECH350VM-XXPLWR			
ECH350RM-XXPWR		02~16P	
ECH350RM-XXPLWR			
ECH350RRM-XXPWR			
ECH350RRM-XXPLWR		02~17P	
ECH350VT-XXPLWR			
ECH350V-XXPWR			
ECH350V-XXPLWR		02~18P	
ECH350R-XXPWR			
ECH350R-XXPLWR			
ECH350RT-XXPLWR			
ECH350RR-XXPWR			
ECH350RR-XXPLWR			
Accessories			
ECHK1		P66	

*The last suffix "L" of part number represents THR version and the accessories is EHDK1L (P66)

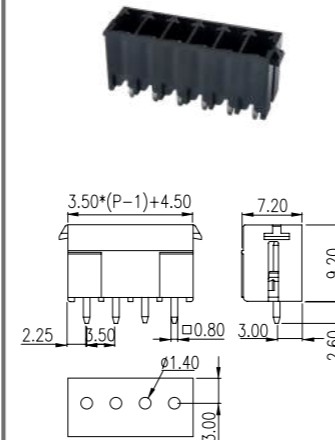
ECH350V-XXPWR ECH350V-XXPLWR



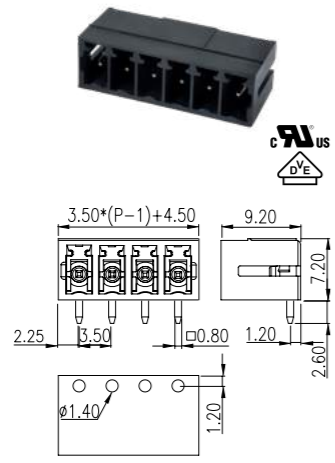
ECH350VM-XXPWR ECH350VM-XXPLWR



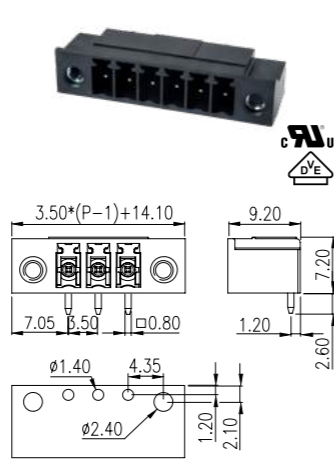
ECH350VT-XXPLWR



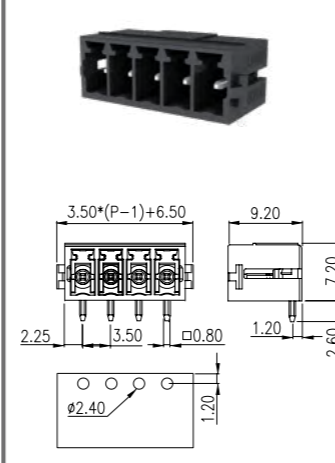
ECH350R-XXPWR ECH350R-XXPLWR



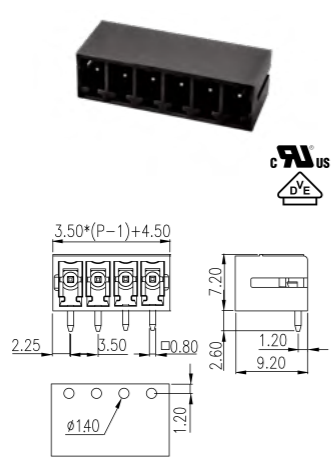
ECH350RM-XXPWR ECH350RM-XXPLWR



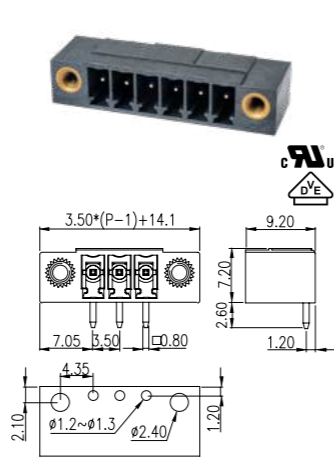
ECH350RT-XXPLWR



ECH350RR-XXPWR ECH350RR-XXPLWR



ECH350RRM-XXPWR ECH350RRM-XXPLWR

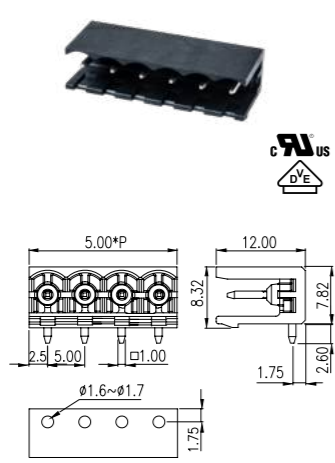


5.00mm

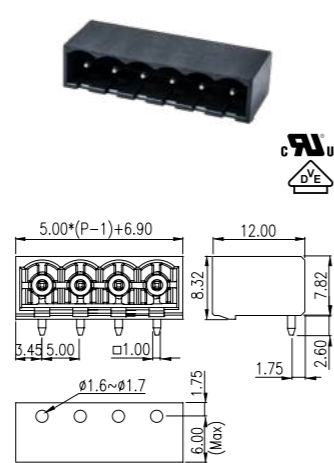
Technical Data		UL	IEC
Rated voltage		300V	600V
Rated current		15A	18A
Rated impulse voltage			4KV
Number of Positions			
5EHDRC-XXPLWR		02~11P	
5EHDRC-XXPWR			
5EHDRC-XXPLWR		02~12P	
5EHDV-XXPWR			
5EHDV-XXPLWR		02~13P	
5EHDR-XXPWR			
5EHDR-XXPLWR			
Accessories			
EHDK1		P66	

*The last suffix "L" of part number represents THR version and the accessories is EHDK1L (P66)

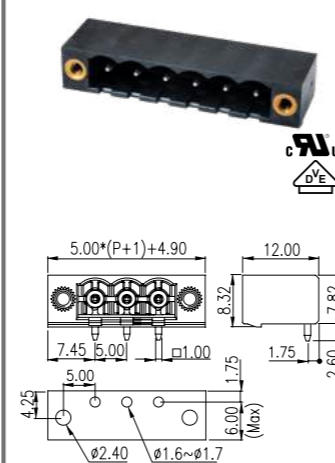
5EHDRC-XXPWR 5EHDRC-XXPLWR



5EHDRC-XXPWR 5EHDRC-XXPLWR



5EHDRC-XXPWR 5EHDRC-XXPLWR

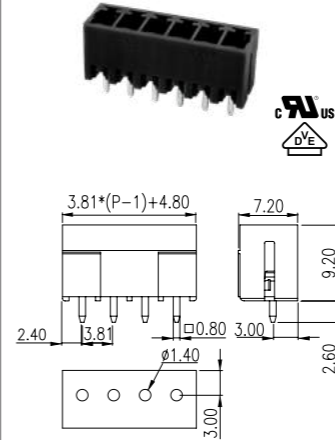


3.81mm

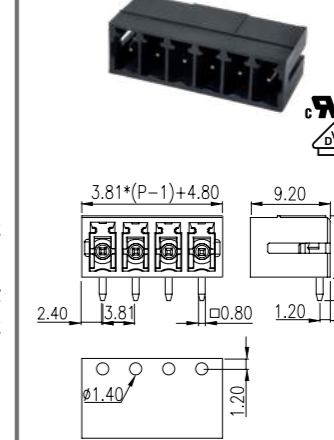
Technical Data		UL	IEC
Rated voltage		300V	320V
Rated current		8A	14A
Rated impulse voltage			2.5KV
Number of Positions			
ECH381V-XXPWR		02~14P	
ECH381V-XXPLWR			
ECH381R-XXPWR			
ECH381R-XXPLWR		02~16P	
ECH381RR-XXPWR			
ECH381RR-XXPLWR		02~17P	
ECH381RM-XXPWR			
ECH381RM-XXPLWR			
ECH381RRM-XXPWR			
ECH381RRM-XXPLWR			
ECH381V-XXPWR			
ECH381V-XXPLWR			
Accessories			
EHDK1		P66	

*The last suffix "L" of part number represents THR version and the accessories is EHDK1L (P66)

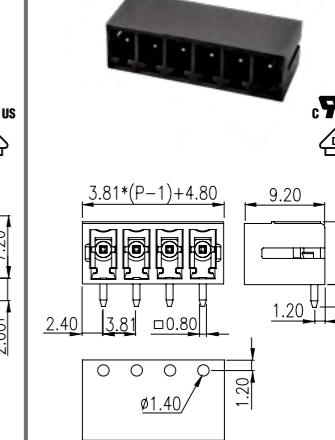
ECH381V-XXPWR ECH381V-XXPLWR



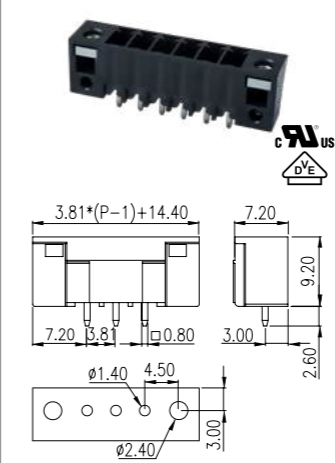
ECH381R-XXPWR ECH381R-XXPLWR



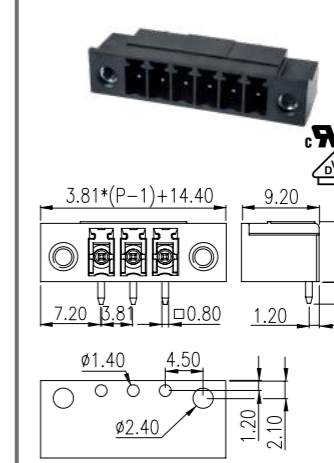
ECH381RR-XXPWR ECH381RR-XXPLWR



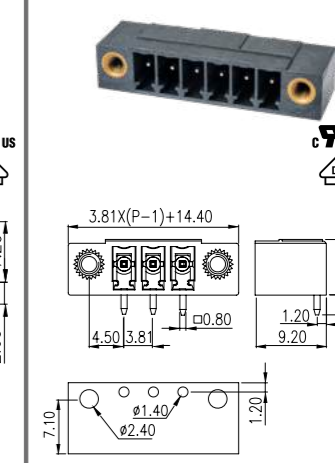
ECH381VM-XXPWR ECH381VM-XXPLWR



ECH381RM-XXPWR ECH381RM-XXPLWR



ECH381RRM-XXPWR ECH381RRM-XXPLWR

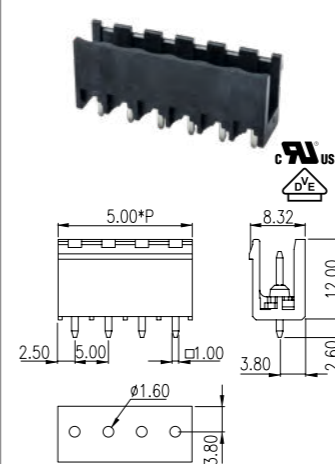


5.00mm

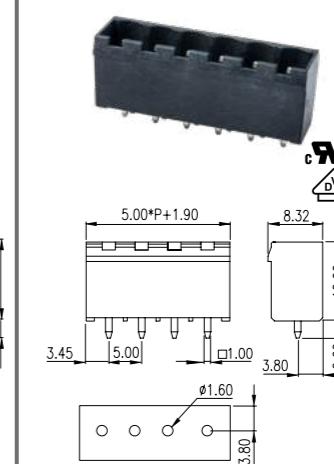
Technical Data		UL	IEC
Rated voltage		300V	600V
Rated current		15A	18A
Rated impulse voltage			4KV
Number of Positions			
5EHDVM-XXPWR		02~11P	
5EHDVM-XXPLWR			
5EHDRC-XXPWR			
5EHDRC-XXPLWR		02~12P	
5EHDV-XXPWR			
5EHDV-XXPLWR		02~13P	
5EHDR-XXPWR			
5EHDR-XXPLWR			
Accessories			
EHDK1		P66	

*The last suffix "L" of part number represents THR version and the accessories is EHDK1L (P66)

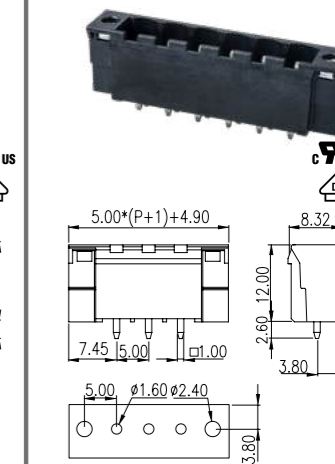
5EHDV-XXPWR 5EHDV-XXPLWR



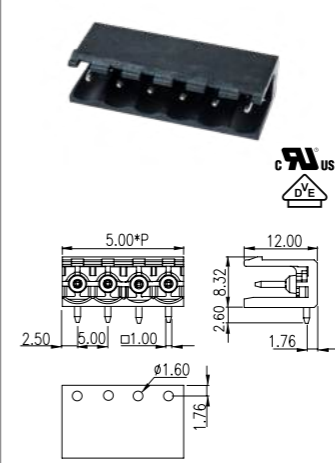
5EHDVC-XXPWR 5EHDVC-XXPLWR



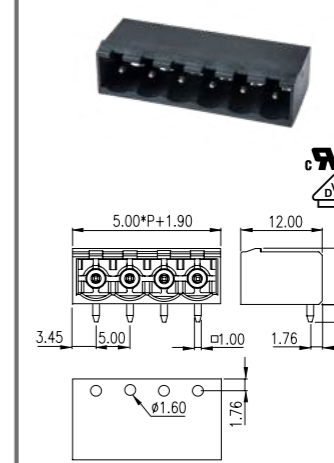
5EHDVM-XXPWR 5EHDVM-XXPLWR



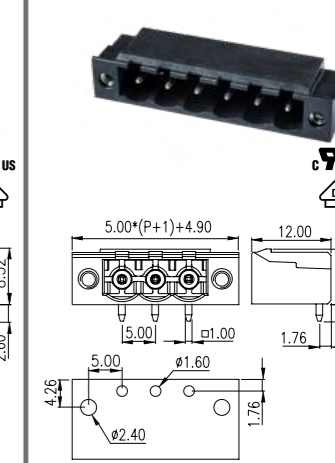
5EHDR-XXPWR 5EHDR-XXPLWR



5EHDRC-XXPWR 5EHDRC-XXPLWR



5EHDRC-XXPWR 5EHDRC-XXPLWR



5.08mm

Technical Data	UL	IEC
Rated voltage	300V	630V
Rated current	15A / 20A	18A
Rated impulse voltage		4KV
Number of Positions		
2EHDVM-XXPWR	02~10P	
2EHDVM-XXPLWR		
2EHDRC-XXPWR	02~11P	
2EHDRC-XXPLWR		
2EHDVM-XXPWR	02~12P	
2EHDVM-XXPLWR		
2EHDV-XXPWR	02~13P	
2EHDV-XXPLWR		
Accessories		
EHDK1	P66	

*The last suffix "L" of part number represents THR version and the accessories is EHDK1L (P66)

2EHDV-XXPWR 2EHDV-XXPLWR	2EHDVC-XXPWR 2EHDVC-XXPLWR	2EHDVM-XXPWR 2EHDVM-XXPLWR

2EHDR-XXPWR 2EHDR-XXPLWR	2EHDRC-XXPWR 2EHDRC-XXPLWR	2EHDVM-XXPWR 2EHDVM-XXPLWR

7.62mm

Technical Data	UL	IEC
Rated voltage	300V	800V
Rated current	15A	18A
Rated impulse voltage		6KV
Number of Positions		
3EHDRC-XXPWR	02~07P	
3EHDVM-XXPWR		
3EHDRC-XXPWR	02~08P	
3EHDV-XXPWR		
3EHDVC-XXPWR	02~09P	
3EHDRC-XXPWR		
Accessories		
EHDK1	P65	

*The last suffix "L" of part number represents THR version and the accessories is EHDK1L (P65)

3EHDV-XXPWR	3EHDVC-XXPWR	3EHDVM-XXPWR

3EHDR-XXPWR	3EHDRC-XXPWR	3EHDVM-XXPWR

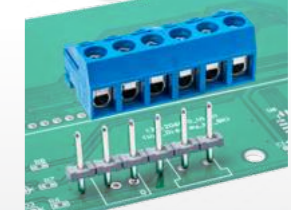
PID Plugs & Pin Strips



Connection method: Push-in connection
Screw connection

Pitch: 3.50 / 4.0 / 5.0 / 5.08mm
UL Rated: 150V/2A ~ 300V/12A
IEC Rated: 160V/4A ~ 320V/17.5A

Screw Plugs & Pin Strips



- 0191 connector cover, as the function of a lever, helps to remove the plug from the pin strip
- Reliable contact structure with high current capacity
- The plug "ED130T-XXP" is designed with a snap-in locking feet making installation on a mounting plate quick and easy
- For the pin strip part number which contains "TH" meaning the plastic is in high temperature withstand material for reflow soldering process.
- 0162 and 0164 series plugs are easy to plug in the pin socket, which is designed to make the combination more stable and solid
- Various lengths of pin strip are available by request

3.50mm

Technical Data	UL	IEC
Rated voltage	300V	320V
Rated current	8A	9A
Solid (AWG/mm ²)	24~16	0.2~1.5
Flexible (AWG/mm ²)	24~16	0.2~1.5
Rated impulse voltage		4KV
Wire strip length	8~9mm	
Number of Positions		
02~20P		

*UL=150V IEC=160V
Pin strip:0191-16XXTH
Various pin lengths available

0191-06XX

0191-06XXC

0191-16XXTH

5.00mm

Technical Data	UL	IEC
Rated voltage	300V	630V
Rated current	12A	10A
Solid (AWG/mm ²)	22~14	0.5~1.5
Flexible (AWG/mm ²)	22~14	0.5~1.5
Rated impulse voltage		4KV
Torque (N-m)	0.3	
Screw	M2.5	
Wire strip length	5~6mm	
Number of Positions		
02~20P		

ED130T-XXP

EDH130-21XX

EDH130-21XXTH

5.00mm

Technical Data	UL	IEC
Rated voltage	300V	320V
Rated current	7A	10A
Solid (AWG/mm ²)	22~14	0.5~1.5
Flexible (AWG/mm ²)	22~14	0.5~1.5
Rated impulse voltage		4KV
Torque (N-m)	0.3~0.4	
Screw	M2.5	
Wire strip length	5~6mm	
Number of Positions		
02~20P		

ED130F-XXP

EDH130F-XX/12.6

EDH130F-XXTH126

3.50mm

Technical Data		UL	IEC
Rated voltage		150V	160V
Rated current		2A	4A
Solid (AWG/mm ²)		28~16	0.5~1.5
Flexible (AWG/mm ²)		28~16	0.5~1.5
Rated impulse voltage			3KV
Wire strip length		8~9mm	
Number of Positions		02~20P	

· Pin strip: 0191-11XXTH

0191-01XX

0191-01XXC

0191-11XXTH

5.00mm

Technical Data		UL	IEC
Rated voltage		300V	320V
Rated current		2A	4A
Solid (AWG/mm ²)		28~16	0.5~1.5
Flexible (AWG/mm ²)		28~16	0.5~1.5
Rated impulse voltage			4KV
Screw		8~9mm	
Number of Positions		02~20P	

*UL=5A
Pin strip: 0191-12XXTH
Various pin lengths available

0191-02XX

0191-02XXC

0191-12XXTH

5.00mm

Technical Data		UL	IEC
Rated voltage		300V	320V
Rated current		5A	5A
Solid (AWG/mm ²)		24~16	0.5~1.5
Flexible (AWG/mm ²)		24~16	0.5~1.5
Rated impulse voltage			4KV
Wire strip length		8mm	
Number of Positions		02~20P	

0191-04XX

0191-04XXC

5.00mm

Technical Data		UL	IEC
Rated voltage		300V	630A
Rated current		7A	9A
Solid (AWG/mm ²)		24~18	0.2~0.75
Flexible (AWG/mm ²)		24~18	0.2~0.75
Rated impulse voltage			4KV
Wire strip length		6~7mm	
Number of Positions		0190-05XX 02~24P	
		EDH130S-20XXTHT 03P,05P,06P	

0191-05XX

EDH130S-20XXTHT

4.00mm

Technical Data		UL	IEC
Rated voltage		300V	320V
Rated current		10A	17.5A
Solid (AWG/mm ²)		24~14	0.2~2.5
Flexible (AWG/mm ²)		24~14	0.2~2.5
Rated impulse voltage			4KV
Torque (N-m)		0.45	
Screw		M2.5	
Wire strip length		6~7mm	
Number of Positions		02~24P	

· Socket: 0162-11XX

0162-01XX

0162-A1XX

0162-11XX

4.00mm

Technical Data		UL	IEC
Rated voltage		300V	320V
Rated current		10A	10A
Solid (AWG/mm ²)		24~14	0.2~1.5
Flexible (AWG/mm ²)		24~14	0.2~1.5
Rated impulse voltage			4KV
Wire strip length		10~11mm	
Number of Positions		02~24P	

· Socket: 0162-11XX

0162-06XX

0162-A6XX

5.08mm

Technical Data		UL	IEC
Rated voltage		300V	320V
Rated current		10A	15A
Solid (AWG/mm ²)		26~12	0.2~2.5
Flexible (AWG/mm ²)		26~12	0.2~2.5
Rated impulse voltage			4KV
Torque (N-m)		0.5~0.6	
Screw		M3/M2.5	
Wire strip length		6~7mm	
Number of Positions		02~24P	

· Socket: 0164-11XX, 0164-12XX

0164-01XX 0164-01XX(T)

0164-A1XX 0164-A1XX(T)

0164-11XX 0164-11XXL

0164-02XX

0164-A2XX

0164-12XX

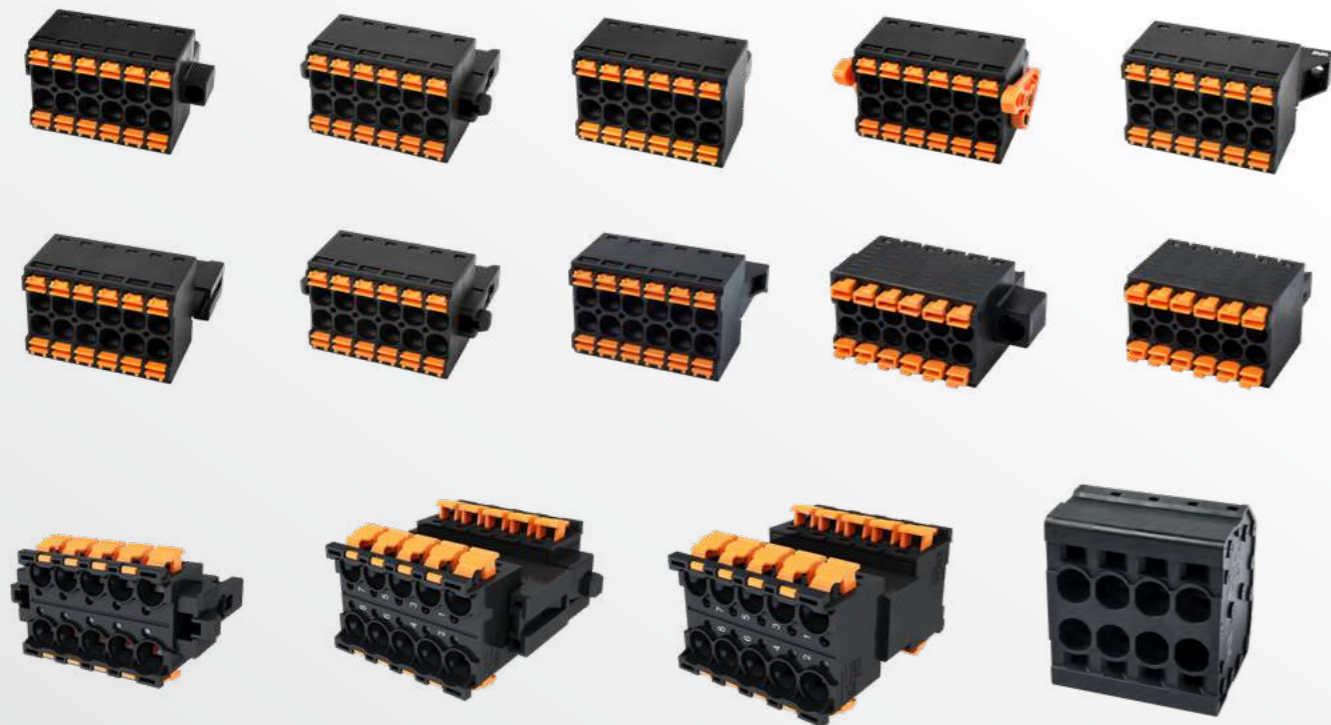
Feed-Through connectors

Dual-output feed-through connector is an electrical connector which is between frequently plugged/unplugged cables and their applications to secure electrical contacts and to provide high-speed data transmission.




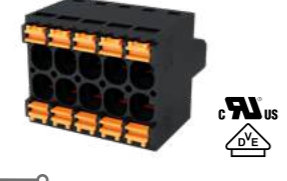

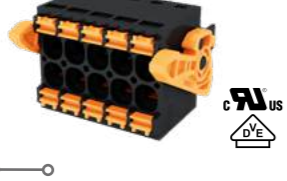
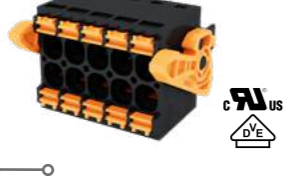


These connectors are typically used in products that require data transfer or internet connectivity which needs to convey signals between devices like PLC or other controllers.



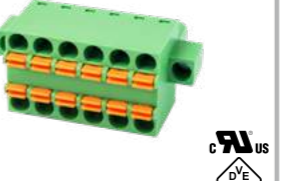
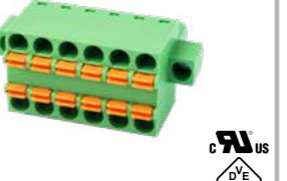
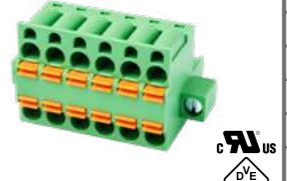


0161, 0181 and 0187 series products can provide serial communication solutions, in the communication protocol applications such as Profibus, CANbus and Modbus 485, the communication signals are transmitted between the master station and the slave stations via the connector's connections.

With Dinkle wide range of PCB sockets, 0161, 0181 and 0187 series can mate with 3.50mm, 5.00mm and 10.16mm pitch socket to carry out the applications of PCB-to-Wire and Wire-to-Wire solutions.



3.50mm		0181-A1XX	Socket	
Technical Data	UL	IEC	ECH350RM-XXP	P32
Rated voltage	300V	320V	ECH350RM-XXPL	P32
Rated current	8A	8A	ECH350VM-XXP	P32
Solid (AWG/mm ²)	24~16	0.2~1.5	ECH350VM-XXPL	P32
Flexible (AWG/mm ²)	24~16	0.2~1.5	ECH350RRM-XXP	P69
Rated impulse voltage		2.5KV	ECH350RRM-XXPL	P69
Wire strip length		9~10mm	Please refer to the related page number for the compatible headers.	
Number of Positions				
02~24P				
3.50mm		0181-A3XX	Socket	
Technical Data	UL	IEC	ECH350H-XXP	P68
Rated voltage	300V	320V	ECH350R-XXP	P69
Rated current	8A	8A	ECH350R-XXPL	P69
Solid (AWG/mm ²)	24~16	0.2~1.5	ECH350V-XXP	P69
Flexible (AWG/mm ²)	24~16	0.2~1.5	ECH350V-XXPL	P69
Rated impulse voltage		2.5KV	ECH350RR-XXP	P69
Wire strip length		9~10mm	ECH350RR-XXPL	P69
Number of Positions			Please refer to the related page number for the compatible headers.	
02~24P				
5.08mm		2ESDVB-XXP	Socket	
Technical Data	UL	IEC	2EHDVC-XXP	P76
Rated voltage	300V	630V	2EHDVC-XXPL	P76
Rated current	15A	18A	2EHDR-XXP	P76
Solid (AWG/mm ²)	28~12	0.2~4	2EHDR-XXPL	P76
Flexible (AWG/mm ²)	30~12	0.2~2.5	2EHDRC-XXP	P76
Rated impulse voltage		4KV	2EHDRC-XXPL	P76
Torque (N-m)		0.5~0.6	2EHDAC-XXP	P75
Screw		M2.5	Please refer to the related page number for the compatible headers.	
Wire strip length		7~8mm		
Number of Positions				
02~12P				
5.08mm		2ESDVBM-XXP	Socket	
Technical Data	UL	IEC	2EHDVM-XXP	P76
Rated voltage	300V	630V	2EHDVM-XXPL	P76
Rated current	15A	18A	2EHDRM-XXP	P76
Solid (AWG/mm ²)	28~12	0.2~4	2EHDRM-XXPL	P76
Flexible (AWG/mm ²)	30~12	0.2~2.5	2EHDP-XXP	P81
Rated impulse voltage		4KV	Please refer to the related page number for the compatible headers.	
Torque (N-m)		0.5~0.6		
Screw		M2.5		
Wire strip length		7~8mm		
Number of Positions				
02~12P				

5.00mm		0161-01XX	0161-11XX	Socket																																															
<table border="1"> <tr><td>Technical Data</td><td>UL</td><td>IEC</td></tr> <tr><td>Rated voltage</td><td>300V</td><td>630V</td></tr> <tr><td>Rated current</td><td>15A</td><td>18A</td></tr> <tr><td>Solid (AWG/mm²)</td><td>26~12</td><td>0.2~2.5</td></tr> <tr><td>Flexible (AWG/mm²)</td><td>26~12</td><td>0.2~2.5</td></tr> <tr><td>Rated impulse voltage</td><td colspan="2">4KV</td></tr> <tr><td>Wire strip length</td><td colspan="2">12~13mm</td></tr> <tr><td>Number of Positions</td><td colspan="2">02~24P</td></tr> <tr><td>Accessories</td><td colspan="2">P27</td></tr> <tr><td>0227K1</td><td colspan="2">P27</td></tr> </table>	Technical Data	UL	IEC	Rated voltage	300V	630V	Rated current	15A	18A	Solid (AWG/mm ²)	26~12	0.2~2.5	Flexible (AWG/mm ²)	26~12	0.2~2.5	Rated impulse voltage	4KV		Wire strip length	12~13mm		Number of Positions	02~24P		Accessories	P27		0227K1	P27				<table border="1"> <tr><td>0227-16XX</td><td>P24</td></tr> <tr><td>0227-16XXL</td><td>P24</td></tr> <tr><td>0227-17XX</td><td>P24</td></tr> <tr><td>0227-17XXL</td><td>P24</td></tr> </table> <p>Please refer to the related page number for the compatible headers.</p>	0227-16XX	P24	0227-16XXL	P24	0227-17XX	P24	0227-17XXL	P24		<table border="1"> <tr><td>0227-26XX</td><td>P24</td></tr> <tr><td>0227-26XXL</td><td>P24</td></tr> <tr><td>0227-27XX</td><td>P24</td></tr> <tr><td>0227-27XXL</td><td>P24</td></tr> </table> <p>Please refer to the related page number for the compatible headers.</p>	0227-26XX	P24	0227-26XXL	P24	0227-27XX	P24	0227-27XXL	P24
Technical Data	UL	IEC																																																	
Rated voltage	300V	630V																																																	
Rated current	15A	18A																																																	
Solid (AWG/mm ²)	26~12	0.2~2.5																																																	
Flexible (AWG/mm ²)	26~12	0.2~2.5																																																	
Rated impulse voltage	4KV																																																		
Wire strip length	12~13mm																																																		
Number of Positions	02~24P																																																		
Accessories	P27																																																		
0227K1	P27																																																		
0227-16XX	P24																																																		
0227-16XXL	P24																																																		
0227-17XX	P24																																																		
0227-17XXL	P24																																																		
0227-26XX	P24																																																		
0227-26XXL	P24																																																		
0227-27XX	P24																																																		
0227-27XXL	P24																																																		
			<table border="1"> <tr><td>0227-26XX</td><td>P24</td></tr> <tr><td>0227-26XXL</td><td>P24</td></tr> <tr><td>0227-27XX</td><td>P24</td></tr> <tr><td>0227-27XXL</td><td>P24</td></tr> </table> <p>Please refer to the related page number for the compatible headers.</p>	0227-26XX	P24	0227-26XXL	P24	0227-27XX	P24	0227-27XXL	P24																																								
0227-26XX	P24																																																		
0227-26XXL	P24																																																		
0227-27XX	P24																																																		
0227-27XXL	P24																																																		
																																																			

5.08mm		2ESDB-XXP	2ESDBA-XXP	Socket																																																																		
<table border="1"> <tr><td>Technical Data</td><td>UL</td><td>IEC</td></tr> <tr><td>Rated voltage</td><td>300V</td><td>600V</td></tr> <tr><td>Rated current</td><td>12A</td><td>15A</td></tr> <tr><td>Solid (AWG/mm²)</td><td>24~12</td><td>0.2~2.5</td></tr> <tr><td>Flexible (AWG/mm²)</td><td>24~12</td><td>0.2~2.5</td></tr> <tr><td>Rated impulse voltage</td><td colspan="2">4KV</td></tr> <tr><td>Wire strip length</td><td colspan="2">11~12mm</td></tr> <tr><td>Number of Positions</td><td colspan="2">02~24P</td></tr> <tr><td>Accessories</td><td colspan="2">P66</td></tr> <tr><td>ESDK1</td><td colspan="2">P66</td></tr> <tr><td>ESDK2</td><td colspan="2">P66</td></tr> </table>	Technical Data	UL	IEC	Rated voltage	300V	600V	Rated current	12A	15A	Solid (AWG/mm ²)	24~12	0.2~2.5	Flexible (AWG/mm ²)	24~12	0.2~2.5	Rated impulse voltage	4KV		Wire strip length	11~12mm		Number of Positions	02~24P		Accessories	P66		ESDK1	P66		ESDK2	P66				<table border="1"> <tr><td>2EHDA-XXP</td><td>P75</td></tr> <tr><td>2EHDAC-XXP</td><td>P75</td></tr> <tr><td>2EHDR-XXP</td><td>P76</td></tr> <tr><td>2EHDR-XXPL</td><td>P76</td></tr> <tr><td>2EHDRC-XXP</td><td>P76</td></tr> <tr><td>2EHDRC-XXPL</td><td>P76</td></tr> <tr><td>2EHDV-XXP</td><td>P76</td></tr> <tr><td>2EHDV-XXPL</td><td>P76</td></tr> <tr><td>2EHDVC-XXP</td><td>P76</td></tr> <tr><td>2EHDVC-XXPL</td><td>P76</td></tr> <tr><td>2EHDRC-XXPL</td><td>P76</td></tr> <tr><td>2EHDRC-XXPL</td><td>P76</td></tr> </table> <p>Please refer to the related page number for the compatible headers.</p>	2EHDA-XXP	P75	2EHDAC-XXP	P75	2EHDR-XXP	P76	2EHDR-XXPL	P76	2EHDRC-XXP	P76	2EHDRC-XXPL	P76	2EHDV-XXP	P76	2EHDV-XXPL	P76	2EHDVC-XXP	P76	2EHDVC-XXPL	P76	2EHDRC-XXPL	P76	2EHDRC-XXPL	P76		<table border="1"> <tr><td>2EHDVM-XXP</td><td>P76</td></tr> <tr><td>2EHDVM-XXPL</td><td>P76</td></tr> <tr><td>2EHDVM-XXPL</td><td>P76</td></tr> <tr><td>2EHDVM-XXPL</td><td>P76</td></tr> </table> <p>Please refer to the related page number for the compatible headers.</p>	2EHDVM-XXP	P76	2EHDVM-XXPL	P76	2EHDVM-XXPL	P76	2EHDVM-XXPL	P76
Technical Data	UL	IEC																																																																				
Rated voltage	300V	600V																																																																				
Rated current	12A	15A																																																																				
Solid (AWG/mm ²)	24~12	0.2~2.5																																																																				
Flexible (AWG/mm ²)	24~12	0.2~2.5																																																																				
Rated impulse voltage	4KV																																																																					
Wire strip length	11~12mm																																																																					
Number of Positions	02~24P																																																																					
Accessories	P66																																																																					
ESDK1	P66																																																																					
ESDK2	P66																																																																					
2EHDA-XXP	P75																																																																					
2EHDAC-XXP	P75																																																																					
2EHDR-XXP	P76																																																																					
2EHDR-XXPL	P76																																																																					
2EHDRC-XXP	P76																																																																					
2EHDRC-XXPL	P76																																																																					
2EHDV-XXP	P76																																																																					
2EHDV-XXPL	P76																																																																					
2EHDVC-XXP	P76																																																																					
2EHDVC-XXPL	P76																																																																					
2EHDRC-XXPL	P76																																																																					
2EHDRC-XXPL	P76																																																																					
2EHDVM-XXP	P76																																																																					
2EHDVM-XXPL	P76																																																																					
2EHDVM-XXPL	P76																																																																					
2EHDVM-XXPL	P76																																																																					
			<table border="1"> <tr><td>2EHDVM-XXP</td><td>P76</td></tr> <tr><td>2EHDVM-XXPL</td><td>P76</td></tr> <tr><td>2EHDVM-XXPL</td><td>P76</td></tr> <tr><td>2EHDVM-XXPL</td><td>P76</td></tr> </table> <p>Please refer to the related page number for the compatible headers.</p>	2EHDVM-XXP	P76	2EHDVM-XXPL	P76	2EHDVM-XXPL	P76	2EHDVM-XXPL	P76																																																											
2EHDVM-XXP	P76																																																																					
2EHDVM-XXPL	P76																																																																					
2EHDVM-XXPL	P76																																																																					
2EHDVM-XXPL	P76																																																																					
			<table border="1"> <tr><td>ECH116L-XXP</td><td>P65</td></tr> <tr><td>ECH116V-XXP</td><td>P65</td></tr> <tr><td>ECH116R-XXP</td><td>P65</td></tr> <tr><td>ECH116HVS-XXP</td><td>P65</td></tr> <tr><td>ECH116HRS-XXP</td><td>P65</td></tr> </table> <p>Please refer to the related page number for the compatible headers.</p>	ECH116L-XXP	P65	ECH116V-XXP	P65	ECH116R-XXP	P65	ECH116HVS-XXP	P65	ECH116HRS-XXP	P65																																																									
ECH116L-XXP	P65																																																																					
ECH116V-XXP	P65																																																																					
ECH116R-XXP	P65																																																																					
ECH116HVS-XXP	P65																																																																					
ECH116HRS-XXP	P65																																																																					

Wire-to-Wire Connection



Connection method:
screw connection /
PID Plug & Sockets

Pitch:
2.50mm / 3.50mm /
5.08mm / 10.16mm
UL Rated:
300V / 8A~600V / 51A
IEC Rated:
300V / 14A~1000V / 76A

This series of connectors is to connect two or more wires to each other safely and reliably.

In the industrial environment, make two wires be securely connected and easily disconnected. No need to remove and install the wires one by one to achieve the wire connections.

Full range Connectors provide highly reliable and safe industrial wiring solutions and save operating time.

2.50mm			0288-AAXX	0288-ADXX
Technical Data	UL	IEC		
Rated voltage	150V	320V		
Rated current	6A	6A		
Solid (AWG/mm ²)	26~18	0.14~0.5		
Flexible (AWG/mm ²)	26~18	0.2~0.5		
Rated impulse voltage		2.5kV		
Wire strip length	7~8mm			
Number of Positions				
02~12P				

3.50mm			0218-21XXM0256-11	0218-21XXM0256-21	0218-21XXM0256-31
Technical Data	UL	IEC			
Rated voltage	300V	320V			
Rated current	8A	10A			
Solid (AWG/mm ²)	28~16	0.14~1.5			
Flexible (AWG/mm ²)	28~16	0.14~1.5			
Rated impulse voltage		2.5kV			
Wire strip length	9~10mm				
Number of Positions					
02~24P					

2.50mm			0288-2AXX

3.50mm			0218-25XXM0256-11	0218-25XXM0256-21	0218-25XXM0256-31

3.50mm			0218-23XXM0256-13	0218-23XXM0256-23	0218-23XXM0256-33

3.50mm			0218-27XXM0256-13	0218-27XXM0256-23	0218-27XXM0256-33

3.50mm			0218-2GXXM0256-13	0218-2GXXM0256-33
Technical Data	UL	IEC		
Rated voltage	300V	320V		
Rated current	8A	10A		
Solid (AWG/mm ²)	28~16	0.14~1.5		
Flexible (AWG/mm ²)	28~16	0.14~1.5		
Rated impulse voltage		2.5kV		
Wire strip length	9~10mm			
Number of Positions				
02~24P				

3.50mm			0218-2GXXM0256-13	0218-2GXXM0256-33

Comparison table

	0288-1AXX	0288-1DXX
Plug/Socket		
	P.15	P.16
0288-2AXX		

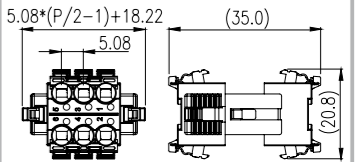
Plug/Socket	0218-21XX	0218-25XX	0218-23XX	0218-27XX
0256-11XX	0218-21XXM0256-11 	0218-25XXM0256-11 		
0256-21XX	0218-21XXM0256-21 	0218-25XXM0256-21 		
0256-31XX	0218-21XXM0256-31 	0218-25XXM0256-31 		
0256-13XX			0218-23XXM0256-13 	0218-27XXM0256-13
0256-23XX			0218-23XXM0256-23 	0218-27XXM0256-23
0256-33XX			0218-23XXM0256-33 	0218-27XXM0256-33
Plug/Socket	0218-2GXX			
0256-13XX	0218-2GXXM0256-13 			
0256-33XX	0218-2GXXM0256-33 			

5.08mm

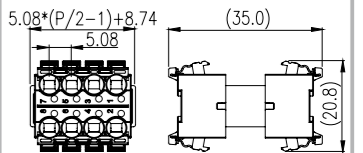
Technical Data	UL	IEC
Rated voltage	300V	320V
Rated current	12A	14A
Solid (AWG/mm ²)	28-16	0.2-1.5
Flexible (AWG/mm ²)	28-16	0.2-1.5
Rated impulse voltage		4KV
Wire strip length	8-9mm	
Number of Positions		
04-16P		



0229-M5XXY



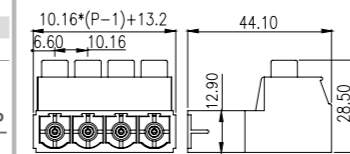
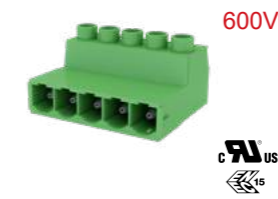
0229-M9XXY



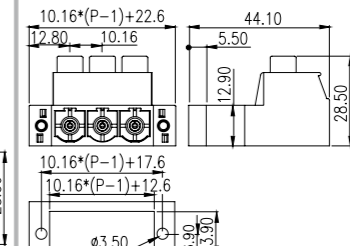
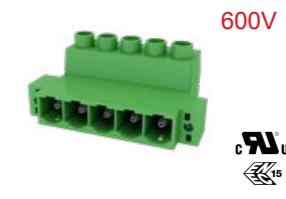
10.16mm

Technical Data	UL	IEC
Rated voltage	600V	1000V
Rated current	51A	76A
Rated impulse voltage		8KV
Solid (AWG/mm ²)	16-6	0.5-16
Flexible (AWG/mm ²)	16-6	0.5-16
Torque (N-m)	1.2	
Screw	M4	
Wire strip length	14-15mm	
Number of Positions		
ECSH116MK-XXP	02-08P	
ECSH116V-XXP		
ECSH116K-XXP	02-10P	
ECSH116M-XXP		
Accessories		
ECHK2	P66	

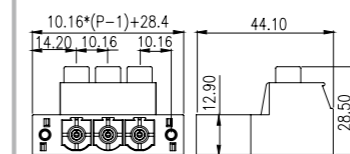
ECSH116V-XXP



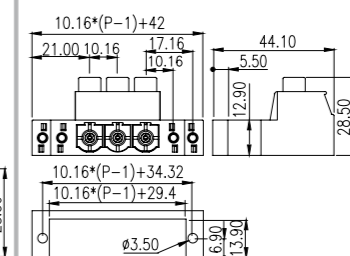
ECSH116K-XXP



ECSH116M-XXP



ECSH116MK-XXP



0187-A4XX (PID) ECSH116V-XXP

EC116V-XXP (Screw) ECSH116V-XXP

Plug

EC116V-XXP	P65
0187-A4XX	P94

Please refer to the related page number for the compatible headers.


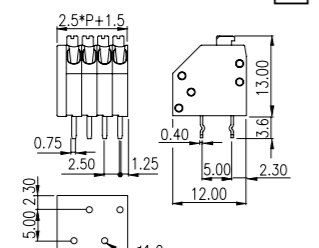
Plug

EC116VM-XXP	P65
-------------	-----

Please refer to the related page number for the compatible headers.


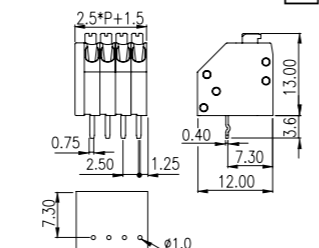
2.50mm 0136-10XX

Technical Data		
UL	IEC	
Rated voltage	300V	400V
Rated current	2A	2A
Solid (AWG/mm ²)	28~20	0.2~0.5
Flexible (AWG/mm ²)	28~20	0.2~0.5
Rated impulse voltage		4KV
Wire strip length	8~9mm	
Number of Positions		
02~24P		


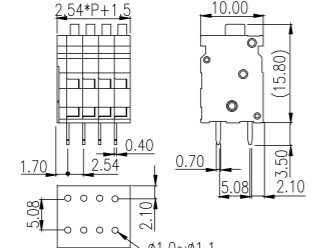
2.50mm 0136-11XX

Technical Data		
UL	IEC	
Rated voltage	150V	250V
Rated current	2A	2A
Solid (AWG/mm ²)	28~20	0.2~0.5
Flexible (AWG/mm ²)		0.2~0.5
Rated impulse voltage		2.5KV
Wire strip length	8~9mm	
Number of Positions		
0136-11XX 02~24P		


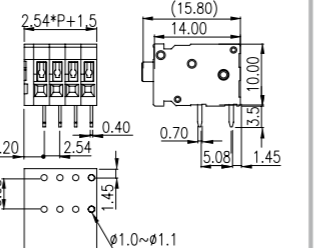
2.54mm 0138-10XX

Technical Data		
UL	IEC	
Rated voltage	150V	130V
Rated current	5A	6A
Solid (AWG/mm ²)	28~20	0.2~0.5
Flexible (AWG/mm ²)	28~20	0.2~0.5
Rated impulse voltage		2.5KV
Wire strip length	10~11mm	
Number of Positions		
02~24P		

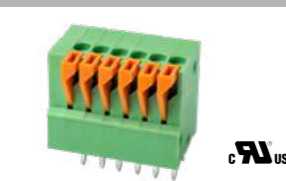
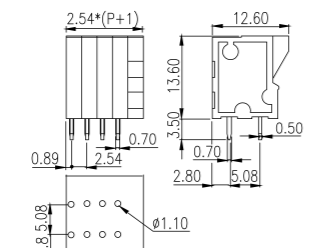
2.54mm 0138-11XX

Technical Data		
UL	IEC	
Rated voltage	150V	130V
Rated current	5A	6A
Solid (AWG/mm ²)	28~20	0.2~0.5
Flexible (AWG/mm ²)	28~20	0.2~0.5
Rated impulse voltage		2.5KV
Wire strip length	10~11mm	
Number of Positions		
02~24P		


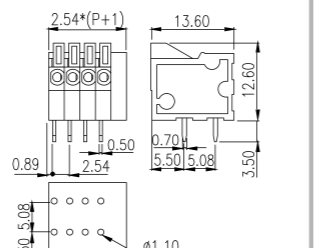
2.54mm 141V-XXP

Technical Data		
UL	IEC	
Rated voltage	150V	160V
Rated current	5A	6A
Solid (AWG/mm ²)	26~20	0.2~0.5
Flexible (AWG/mm ²)	26~20	0.2~0.5
Rated impulse voltage		2.5KV
Wire strip length	10~11mm	
Number of Positions		
141V-XXP 01~24P		
141R-XXP 01~32P		

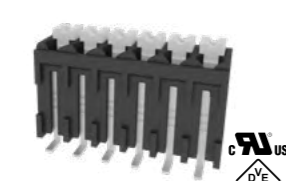
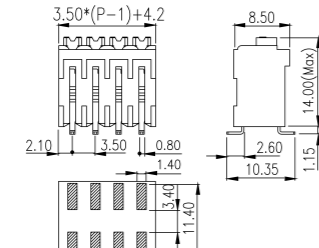
2.54mm 141R-XXP

Technical Data		
UL	IEC	
Rated voltage	150V	160V
Rated current	5A	6A
Solid (AWG/mm ²)	26~20	0.2~0.5
Flexible (AWG/mm ²)	26~20	0.2~0.5
Rated impulse voltage		2.5KV
Wire strip length	10~11mm	
Number of Positions		
141V-XXP 01~24P		
141R-XXP 01~32P		


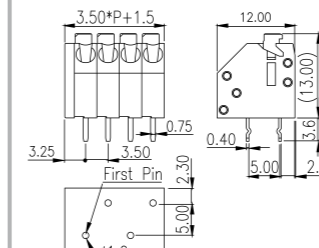
3.50mm 0138-50XXSMDWR

Technical Data		
UL	IEC	
Rated voltage	300V	160V
Rated current	12A	17.5A
Solid (AWG/mm ²)	28~16	0.14~1.5
Flexible (AWG/mm ²)	28~16	0.14~1.5
Rated impulse voltage		2.5KV
Wire strip length	8~9mm	
Number of Positions		
02~06P		


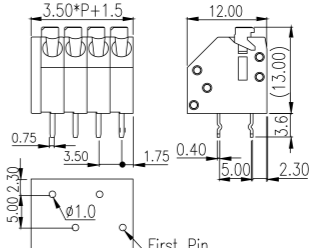
3.50mm 0136-20XX

Technical Data		
UL	IEC	
Rated voltage	300V	400V
Rated current	6A	10A
Solid (AWG/mm ²)	28~16	0.2~1.5
Flexible (AWG/mm ²)		0.2~1.5
Rated impulse voltage		4KV
Wire strip length	8~9mm	
Number of Positions		
02~24P		


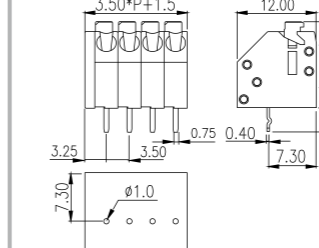
3.50mm 0136-23XX

Technical Data		
UL	IEC	
Rated voltage	300V	400V
Rated current	6A	10A
Solid (AWG/mm ²)	28~16	0.2~1.5
Flexible (AWG/mm ²)		0.2~1.5
Rated impulse voltage		4KV
Wire strip length	8~9mm	
Number of Positions		
02~24P		


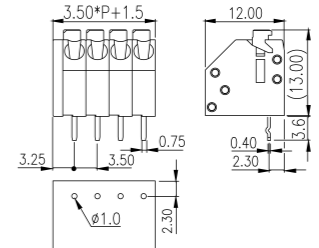
3.50mm 0136-21XX

Technical Data		
UL	IEC	
Rated voltage	300V	400V
Rated current	6A	10A
Solid (AWG/mm ²)	28~16	0.2~1.5
Flexible (AWG/mm ²)		0.2~1.5
Rated impulse voltage		4KV
Wire strip length	8~9mm	
Number of Positions		
02~24P		


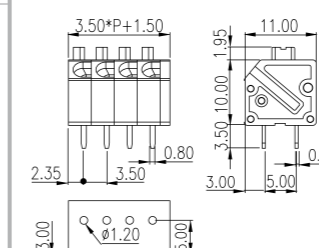
3.50mm 0136-22XX

Technical Data		
UL	IEC	
Rated voltage	300V	400V
Rated current	6A	10A
Solid (AWG/mm ²)	28~16	0.2~1.5
Flexible (AWG/mm ²)		0.2~1.5
Rated impulse voltage		4KV
Wire strip length	8~9mm	
Number of Positions		
02~24P		


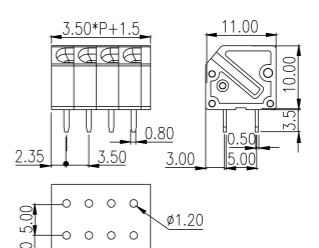
3.50mm 0137-40XX

Technical Data		
UL	IEC	
Rated voltage	300V	160V
Rated current	5A	17.5A
Solid (AWG/mm ²)	26~16	0.2~1.5
Flexible (AWG/mm ²)	24~20	0.2~1.5
Rated impulse voltage		2.5KV
Wire strip length	9~10mm	
Number of Positions		
02~24P		


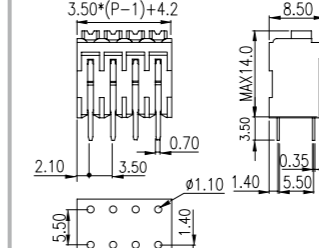
3.50mm 0137-41XX

Technical Data		
UL	IEC	
Rated voltage	300V	160V
Rated current	5A	17.5A
Solid (AWG/mm ²)	26~16	0.2~1.5
Flexible (AWG/mm ²)	24~20	0.2~1.5
Rated impulse voltage		2.5KV
Wire strip length	9~10mm	
Number of Positions		
02~24P		

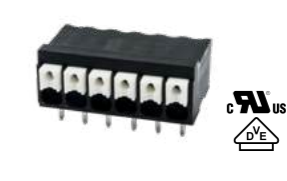
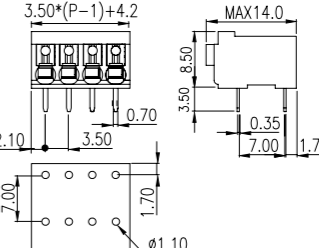
3.50mm 0138-50XX 0138-50XXL

Technical Data		
UL	IEC	
Rated voltage	300V	160V
Rated current	12A	17.5A
Solid (AWG/mm ²)	28~16	0.2~1.5
Flexible (AWG/mm ²)	28~16	0.2~1.5
Rated impulse voltage		2.5KV
Wire strip length	8~9mm	
Number of Positions		
02~24P		

3.50mm 0138-51XX 0138-51XXL

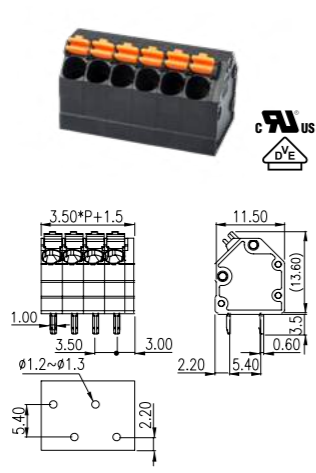
Technical Data		
UL	IEC	
Rated voltage	300V	160V
Rated current	12A	17.5A
Solid (AWG/mm ²)	28~16	0.2~1.5
Flexible (AWG/mm ²)	28~16	0.2~1.5
Rated impulse voltage		2.5KV
Wire strip length	8~9mm	
Number of Positions		
02~24P		

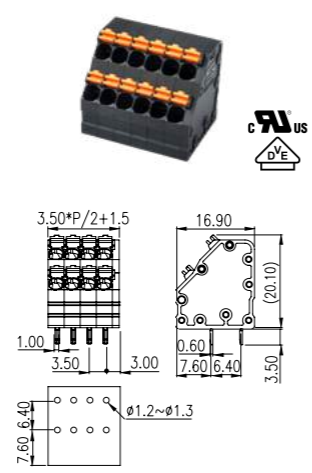
3.50mm

Technical Data	UL	IEC
Rated voltage	300V	320V
Rated current	9A	14A
Solid (AWG/mm ²)	28~16	0.2~1.5
Flexible (AWG/mm ²)	28~16	0.2~1.5
Rated impulse voltage	4KV	
Wire strip length	9~10mm	
Number of Positions		
0151-01XX	02~24P	
0151-01XXL		
0151-02XX	04~48P	
0151-02XXL		

0151-01XX (0151-01XXL)



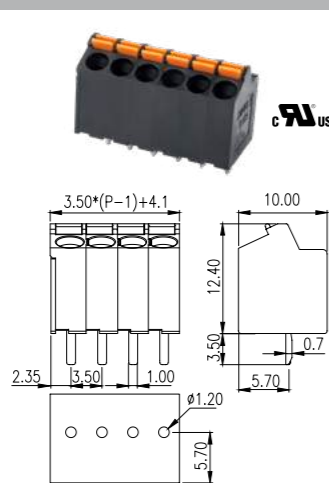
0151-02XX (0151-02XXL)



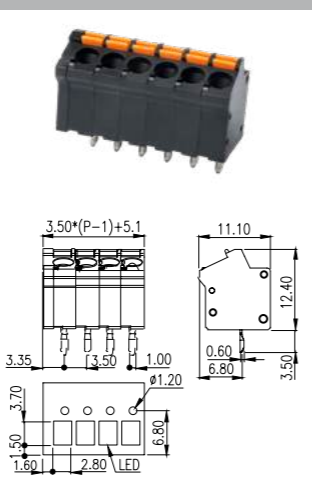
3.50mm

Technical Data	UL	IEC
Rated voltage	300V	200V
Rated current	10A	14A
Solid (AWG/mm ²)	26~16	0.2~1.5
Flexible (AWG/mm ²)	26~16	0.2~1.5
Rated impulse voltage	2.5KV	
Wire strip length	8~9mm	
Number of Positions		
	02~24P	

0185-13XX



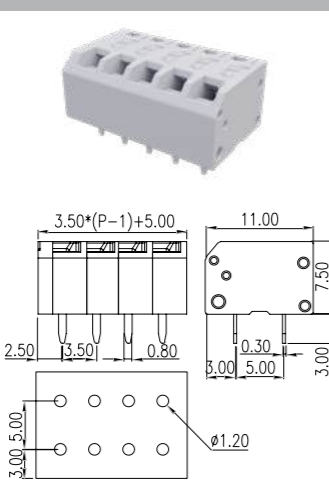
0185-12XX



3.50mm

Technical Data	UL	IEC
Rated voltage	300V	250V
Rated current	5A	9A
Solid (AWG/mm ²)	24~18	0.2~0.75
Flexible (AWG/mm ²)	24~18	0.2~0.75
Rated impulse voltage	2.5KV	
Wire strip length	7~8mm	
Number of Positions		
	02~20P	

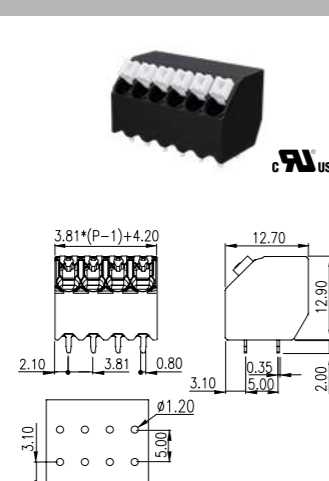
0137-41XXM



3.81mm

Technical Data	UL	IEC
Rated voltage	300V	160V
Rated current	12A	17.5A
Solid (AWG/mm ²)	28~14	0.2~1.5
Flexible (AWG/mm ²)	28~14	0.2~1.5
Rated impulse voltage	2.5KV	
Wire strip length	8~9mm	
Number of Positions		
	02~24P	

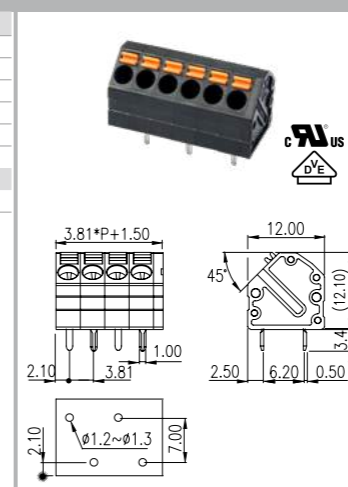
0138-42XXL20



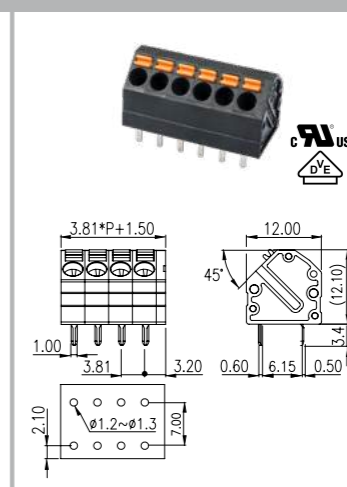
3.81mm

Technical Data	UL	IEC
Rated voltage	300V	320V
Rated current	10A	10A
Solid (AWG/mm ²)	26~16	0.2~1.5
Flexible (AWG/mm ²)	26~16	0.2~1.5
Rated impulse voltage	4KV	
Wire strip length	9~10mm	
Number of Positions		
	02~24P	

0141-01XX



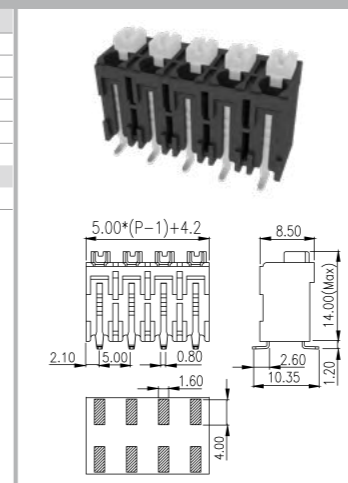
0141-22XX



5.00mm

Technical Data	UL	IEC
Rated voltage	300V	320V
Rated current	10A	13.5A
Solid (AWG/mm ²)	28~16	0.2~1.5
Flexible (AWG/mm ²)	28~16	0.2~1.5
Rated impulse voltage	4KV	
Wire strip length	8~9mm	
Number of Positions		
	02~08P	

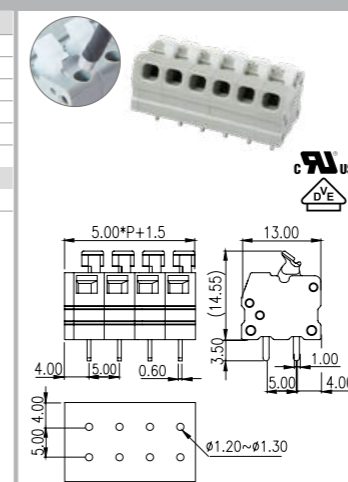
0188-12XXSMDWR



5.00mm

Technical Data	UL	IEC
Rated voltage	300V	320V
Rated current	10A	17.5A
Solid (AWG/mm ²)	26~14	0.2~1.5
Flexible (AWG/mm ²)	26~16	0.2~1.5
Rated impulse voltage	4KV	
Wire strip length	9~10mm	
Number of Positions		
	02~24P	

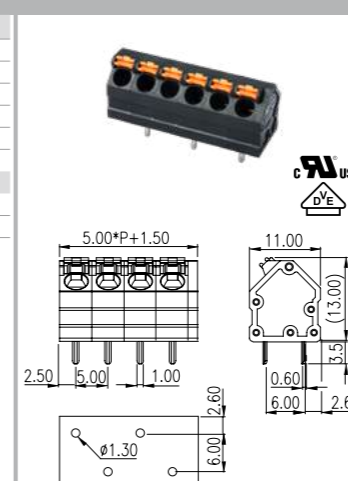
0137-11XX



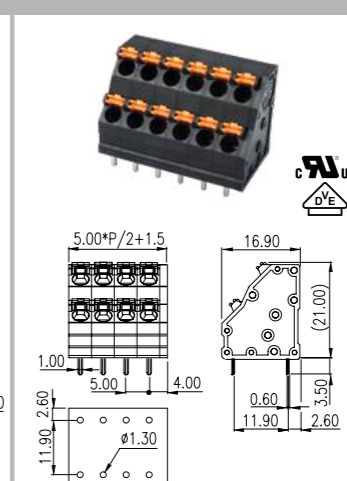
5.00mm

Technical Data	UL	IEC
Rated voltage	300V	320V
Rated current	10A	17.5A
Solid (AWG/mm ²)	28~16	0.2~1.5
Flexible (AWG/mm ²)	28~16	0.2~1.5
Rated impulse voltage	4KV	
Wire strip length	8~9mm	
Number of Positions		
0152-01XX	02~24P	
0152-02XX	04~48P	

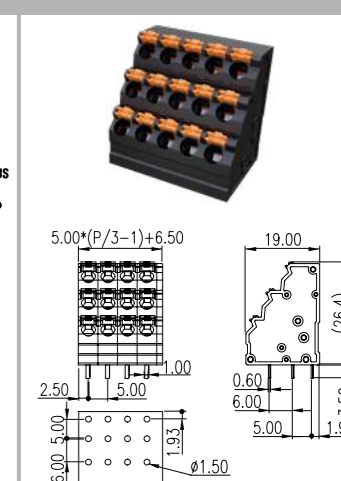
0152-01XX



0152-02XX



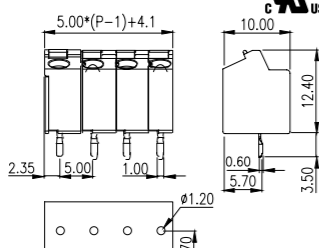
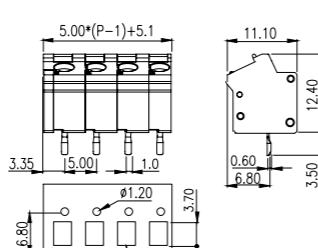


0152-03XX





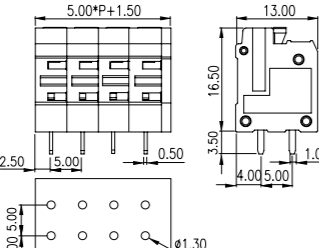
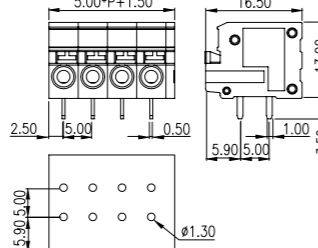
5.00mm

Technical Data	UL	IEC
Rated voltage	300V	320V
Rated current	10A	14A
Solid (AWG/mm ²)	26~16	0.2~1.5
Flexible (AWG/mm ²)	26~16	0.2~1.5
Rated impulse voltage	4KV	
Wire strip length	8~9mm	
Number of Positions		
0185-31XX	02~24P	
0185-32XX	02~20P	




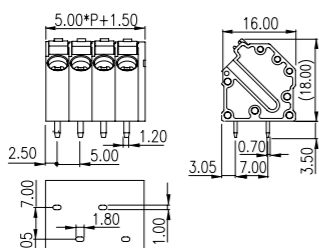
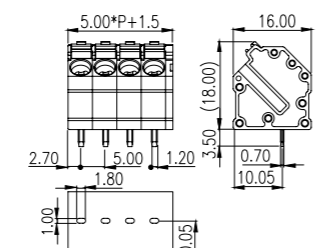
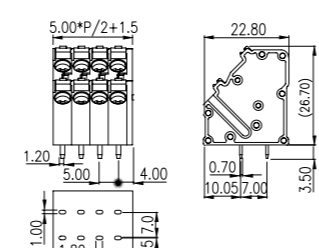
5.00mm

Technical Data	UL	IEC
Rated voltage	300V	320V
Rated current	10A	17.5A
Solid (AWG/mm ²)	26~14	0.2~1.5
Flexible (AWG/mm ²)	26~16	0.2~1.5
Rated impulse voltage	4KV	
Wire strip length	10~11mm	
Number of Positions		
02~24P		

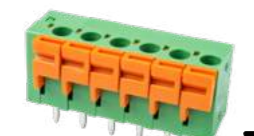
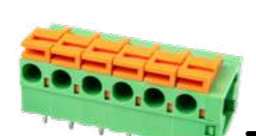
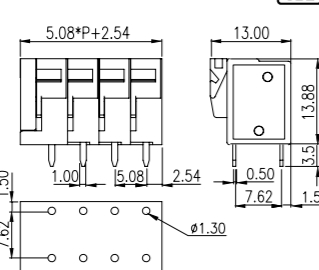
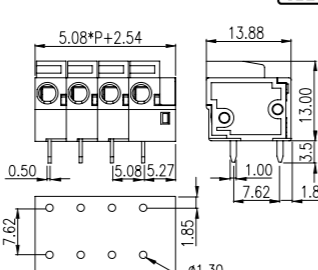
5.00mm

Technical Data	UL	IEC
Rated voltage	300V	320V
Rated current	20A	24A
Solid (AWG/mm ²)	24~12	0.2~2.5
Flexible (AWG/mm ²)	24~12	0.2~2.5
Rated impulse voltage	4KV	
Wire strip length	12~14mm	
Number of Positions		
0153-01XX	02~24P	
0153-91XX	02~24P	
0153-02XX	04~48P	



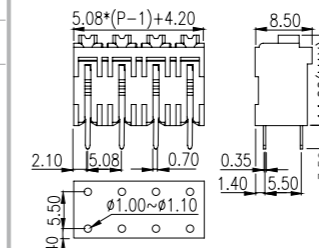
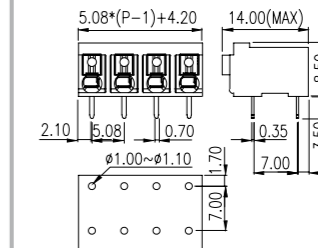
5.08mm

Technical Data	UL	IEC
Rated voltage	300V	450V
Rated current	10A	17.5A
Solid (AWG/mm ²)	22~14	0.5~1.5
Flexible (AWG/mm ²)	22~14	0.5~1.5
Rated impulse voltage	4KV	
Wire strip length	9~10mm	
Number of Positions		
02~24P		



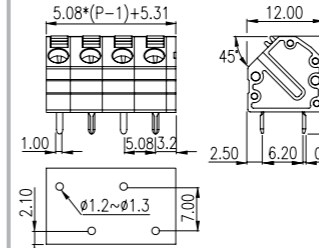
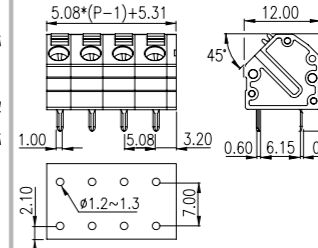
5.08mm

Technical Data	UL	IEC
Rated voltage	300V	320V
Rated current	12A	17.5A
Solid (AWG/mm ²)	28~14	0.2~1.5
Flexible (AWG/mm ²)	28~14	0.2~1.5
Rated impulse voltage	4KV	
Wire strip length	8~9mm	
Number of Positions		
0138-61XX	02~16P	
0138-60XX	02~18P	
0138-60XXL	02~24P	
0138-61XXL	02~24P	


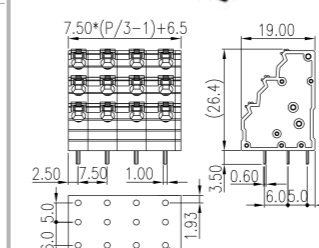
5.08mm

Technical Data	UL	IEC
Rated voltage	300V	320V
Rated current	10A	10A
Solid (AWG/mm ²)	26~16	0.2~1.5
Flexible (AWG/mm ²)	26~16	0.2~1.5
Rated impulse voltage	4KV	
Wire strip length	9~10mm	
Number of Positions		
02~24P		


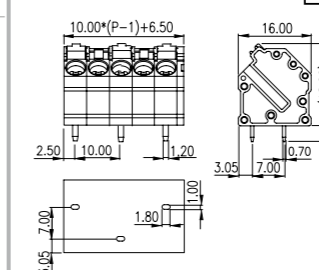
7.50mm

Technical Data	UL	IEC
Rated voltage	300V	320V
Rated current	10A	17.5A
Solid (AWG/mm ²)	26~14	0.2~1.5
Flexible (AWG/mm ²)	0.2~1.5	
Rated impulse voltage	4KV	
Wire strip length	8~9mm	
Number of Positions		
06~33P		

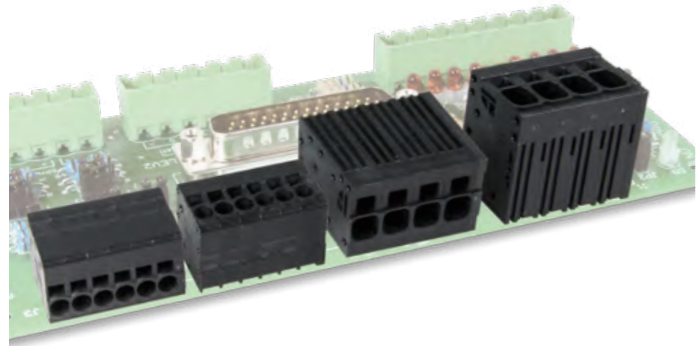



10.00mm

Technical Data	UL	IEC
Rated voltage	600V	1000V
Rated current	20A	24A
Solid (AWG/mm ²)	24~12	0.2~2.5
Flexible (AWG/mm ²)	24~12	0.2~2.5
Rated impulse voltage	8KV	
Wire strip length	12~14mm	
Number of Positions		
02~12P		

Front Entry PID Terminal Blocks



Connection method: Push-in connection
Pitch: 3.50mm / 5.00mm / 6.35mm / 7.50mm / 10.00mm / 15.00mm
UL Rated: 300V / 10A ~ 600V / 101A
IEC Rated: 320V / 17.5A ~ 1000V / 125A

- 2 pins on each pole for excellent stability on PCB
- Versions with horizontal and vertical wire entry direction
- For stranded wire connection without ferrules, the clamp shall be opened by a screwdriver

3.50mm 0177-31XX

Technical Data	UL	IEC
Rated voltage	300V	320V
Rated current	10A	17.5A
Solid (AWG/mm ²)	26~16	0.2~1.5
Flexible (AWG/mm ²)	26~16	0.2~1.5
Rated impulse voltage	2.5KV	
Wire strip length	9~10mm	

Number of Positions: 02~24P

0177-33XX

5.00mm 0177-51XX

Technical Data	UL	IEC
Rated voltage	300V	320V
Rated current	20A	24A
Solid (AWG/mm ²)	26~12	0.2~2.5
Flexible (AWG/mm ²)	26~12	0.2~2.5
Rated impulse voltage	4KV	
Wire strip length	9~10mm	

Number of Positions: 02~24P

0177-53XX

6.35mm 0177-76XX

Technical Data	UL	IEC
Rated voltage	600V	1000V
Rated current	25A	32A
Solid (AWG/mm ²)	24~10	0.2~4
Flexible (AWG/mm ²)	24~10	0.2~4
Rated impulse voltage	8KV	
Wire strip length	13~14mm	

Number of Positions: 02~16P

0177-78XX

7.50mm 0177-81XX

Technical Data	UL	IEC
Rated voltage	300V	630V
Rated current	36A	41A
Solid (AWG/mm ²)	24~8	0.2~10
Flexible (AWG/mm ²)	24~8	0.2~6
Rated impulse voltage	6KV	
Wire strip length	15mm	

Number of Positions: 02~16P

0177-83XX

7.50mm 0177-86XX

Technical Data	UL	IEC
Rated voltage	600V	1000V
Rated current	36A	41A
Solid (AWG/mm ²)	24~8	0.2~10
Flexible (AWG/mm ²)	24~8	0.2~6
Rated impulse voltage	8KV	
Wire strip length	15~16mm	

Number of Positions: 02~16P

0177-88XX

10.00mm 0177-06XX

Technical Data	UL	IEC
Rated voltage	600V	1000V
Rated current	66A	76A
Solid (AWG/mm ²)	20~4	0.75~16
Flexible (AWG/mm ²)	20~4	0.75~16
Rated impulse voltage	8KV	
Wire strip length	18~20mm	

Number of Positions: 02~12P

0177-08XX

10.00mm 0177-03XX

Technical Data	UL	IEC
Rated voltage	300V	320V
Rated current	66A	76A
Solid (AWG/mm ²)	20~4	0.75~16
Flexible (AWG/mm ²)	20~4	0.75~16
Rated impulse voltage	4KV	
Wire strip length	18~20mm	

Number of Positions: 02~12P

0177-B3XX

7.50mm 0177-81XX

Technical Data	UL	IEC
Rated voltage	300V	630V
Rated current	36A	41A
Solid (AWG/mm ²)	24~8	0.2~10
Flexible (AWG/mm ²)	24~8	0.2~6
Rated impulse voltage	6KV	
Wire strip length	15mm	

Number of Positions: 02~16P

0177-83XX

7.50mm 0177-86XX

Technical Data	UL	IEC
Rated voltage	600V	1000V
Rated current	36A	41A
Solid (AWG/mm ²)	24~8	0.2~10
Flexible (AWG/mm ²)	24~8	0.2~6
Rated impulse voltage	8KV	
Wire strip length	15~16mm	

Number of Positions: 02~16P

0177-88XX

10.00mm 0177-06XX

Technical Data	UL	IEC
Rated voltage	600V	1000V
Rated current	66A	76A
Solid (AWG/mm ²)	20~4	0.75~16
Flexible (AWG/mm ²)	20~4	0.75~16
Rated impulse voltage	8KV	
Wire strip length	18~20mm	

Number of Positions: 02~12P

0177-08XX

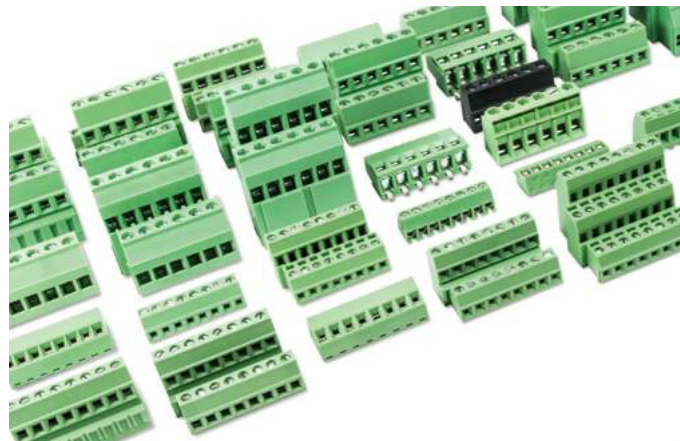
15.00mm 0177-B3XX

Technical Data	UL	IEC
Rated voltage	600V	1000V
Rated current	101A	125A
Solid (AWG/mm ²)	14~2	4~35
Flexible (AWG/mm ²)	14~2	4~35
Rated impulse voltage	8KV	
Wire strip length	23~25mm	

Number of Positions: 02~06P

0177-B3XX

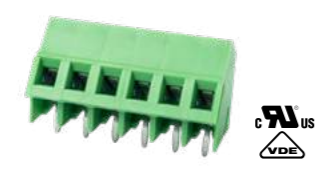

















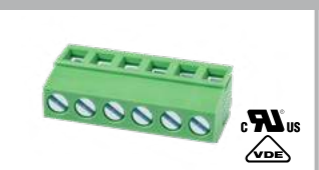
Screw Connection PCB Terminal Blocks



Connection method: Screw connection
Pitch: 2.54mm / 3.50mm / 3.81mm /
5.00mm / 6.35mm / 7.50mm /
9.52mm / 10.10mm / 15.00mm /
17.50mm / 20.00mm
UL Rated: 150V / 10A ~ 600V / 200A
IEC Rated: 160V / 8A ~ 1000V / 232A

- Versions with single, double and triple-level PCB terminal blocks
- Horizontal, vertical and 45 degrees wire entry directions
- Space saving and finger-safe housing design
- Special markings on the housing for identification are available by request

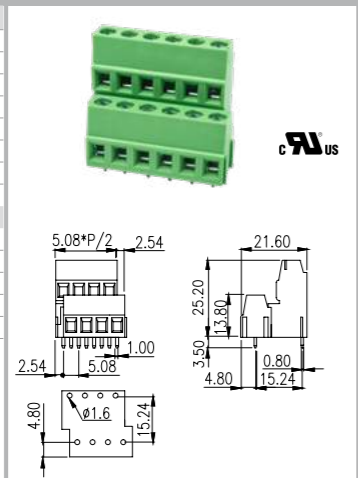
3.50mm		EK350V-XXP		EK350A-XXP		3.50mm		EK350V4L-XXP									
Technical Data	UL	IEC			Technical Data	UL	IEC										
Rated voltage	300V	130V			Rated voltage	300V	130V										
Rated current	10A	12A			Rated current	10A	10A										
Solid (AWG/mm²)	30~16	0.14~1.5			Solid (AWG/mm²)	30~16	0.2~1.5										
Flexible (AWG/mm²)	30~16	0.14~1.5			Flexible (AWG/mm²)	30~16	0.2~1.5										
Rated impulse voltage		2.5KV			Rated impulse voltage		2.5KV										
Torque (N-m)		0.2~0.25			Torque (N-m)		0.2~0.25										
Screw		M2			Screw		M2										
Wire strip length		5~6mm			Wire strip length		5~6mm										
Number of Positions					Number of Positions												
02~24P					04~40P												
3.81mm		EK381V-XXP		EK381A-XXP		EEK381V-XXP		E3K381V-XXP		EHK381V-XXP							
Technical Data	UL	IEC															
Rated voltage	300V	250V															
Rated current	12A	12A															
Solid (AWG/mm²)	30~16	0.5~1.5															
Flexible (AWG/mm²)	30~16	0.5~1.5															
Rated impulse voltage		2.5KV															
Torque (N-m)		0.2~0.25															
Screw		M2															
Wire strip length		5~6mm															
Number of Positions																	
02~16P																	
02~24P																	
02~24P																	
02~24P																	
02~24P																	
2.54mm		EK254V-XXP		3.81mm		ESK381V-XXP		ESK381R-XXP		EESK381V-XXP		ESK381V4L-XXP					
Technical Data	UL	IEC															
Rated voltage	150V	160V															
Rated current	10A	8A															
Solid (AWG/mm²)	28~16	0.2~1.5															
Flexible (AWG/mm²)	28~16	0.2~1.5															
Rated impulse voltage		2.5KV															
Torque (N-m)		0.2															
Screw		M1.6															
Wire strip length		4~5mm															
Number of Positions																	
02~16P																	
3.81mm		EK381V4L-XXP		E3K381V3L-XXP		5.00mm		ELK500V-XXP		ELK500S-XXP		5.00mm		ELK500B-XXP			
Technical Data	UL	IEC															
Rated voltage	300V	250V															
Rated current	12A	12A															
Solid (AWG/mm²)	30~16	0.5~1.5															
Flexible (AWG/mm²)	30~16	0.5~1.5															
Rated impulse voltage		2.5KV															
Torque (N-m)		0.2~0.25															
Screw		M2															
Wire strip length		5~6mm															
Number of Positions																	
04~48P																	
06~72P																	
5.00mm		ELK500V-XXP		ELK500S-XXP		5.00mm		ELK500V-XXP		ELK500S-XXP		5.00mm		ELK500B-XXP			
Technical Data	UL	IEC															
Rated voltage	300V	250V															
Rated current	13.5A	17.5A															
Solid (AWG/mm²)																	
ELK500V-XXP			30~16	0.14~1.5	Flexible (AWG/mm²)												
ELK500S-XXP			30~14	0.14~1.5	ELK500V-XXP			30~16	0.14~1.5	ELK500S-XXP			30~14	0.14~1.5			
Torque (N-m)			0.4~0.5			Screw			M2.5			Wire strip length			5~6mm		
Number of Positions			02~24P			Number of Positions			02~24P			Number of Positions			02~24P		

5.00mm			EK500A-XXP			EK500V-XXP			EK500R-XXP			5.00mm			EK500V4L-XXP			EK500V2L-XXP			EK500V3L-XXP		
Technical Data Rated voltage: 300V Rated current: 20A Solid (AWG/mm ²): 24~12 Flexible (AWG/mm ²): 0.5~2.5 Rated impulse voltage: 4KV Torque (N-m): 0.4~0.5 Screw: M2.5 Wire strip length: 6~7mm Number of Positions: 02~24P												Technical Data Rated voltage: 300V Rated current: 20A Solid (AWG/mm ²): 24~12 Flexible (AWG/mm ²): 0.5~2.5 Rated impulse voltage: 4KV Torque (N-m): 0.4~0.5 Screw: M2.5 Wire strip length: 6~7mm Number of Positions: 04~60P EK500V4L-XXP: 04~60P EK500V2L-XXP: 04~20P EK500V3L-XXP: 06~72P											
Technical Data Rated voltage: 300V Rated current: 20A Solid (AWG/mm ²): 24~12 Flexible (AWG/mm ²): 0.5~2.5 Rated impulse voltage: 4KV Torque (N-m): 0.4~0.5 Screw: M2.5 Wire strip length: 6~7mm Number of Positions: 02~24P			5.00mm E3K500V-XXP 			5.00mm EEK500V-XXP 			5.00mm EHK5V-XXP 			5.00mm EHK500R-XXP 			5.00mm E2HK500V-XXPAM 								
Technical Data Rated voltage: 300V Rated current: 20A Solid (AWG/mm ²): 24~12 Flexible (AWG/mm ²): 0.5~2.5 Rated impulse voltage: 4KV Torque (N-m): 0.4~0.5 Screw: M2.5 Wire strip length: 6~7mm Number of Positions: 06~72P			5.08mm ELK508V-XXP 			5.08mm ELK508S-XXP 			5.08mm E2LK508V-XXP 														
Technical Data Rated voltage: 300V Rated current: 13.5A Solid (AWG/mm ²): 26~16 Flexible (AWG/mm ²): 0.5~1.5 Rated impulse voltage: 4KV Torque (N-m): 0.4~0.5 Screw: M2.5 Wire strip length: 6~7mm Number of Positions: 04~32P EELK508V-XXP: 04~32P ELK508V3L-XXP: 06~48P			5.08mm EELK508V-XXP 			5.08mm ELK508V3L-XXP 			5.08mm EK508V-XXP 			5.08mm EK508R-XXP 			5.08mm EK508A-XXP 								

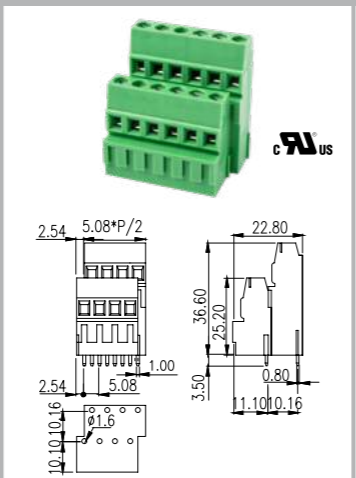
5.08mm

Technical Data	UL	IEC
Rated voltage	300V	320V
Rated current	20A	24A
Solid (AWG/mm ²)	24-12	0.5-2.5
Flexible (AWG/mm ²)	24-12	0.5-2.5
Rated impulse voltage	4KV	
Torque (N-m)	0.4-0.5	
Screw	M2.5	
Wire strip length	6-7mm	
Number of Positions		
EK508V4L-XXP	04~70P	
EK508V2L-XXP	04~36P	
EK508V3L-XXP	06P, 09P...up to 72P	
E3K508V-XXP	02P, 03P...up to 24P	
EEK508V-XXP	02~15P	

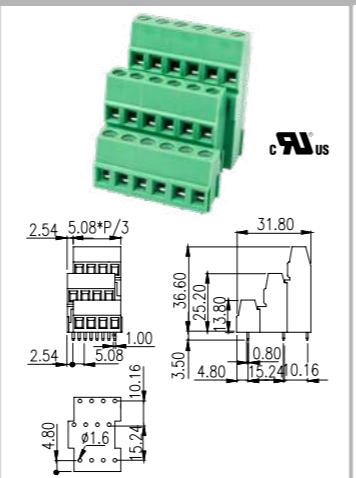
EK508V4L-XXP



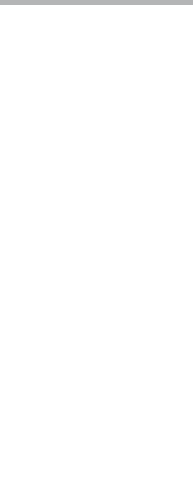
EK508V2L-XXP



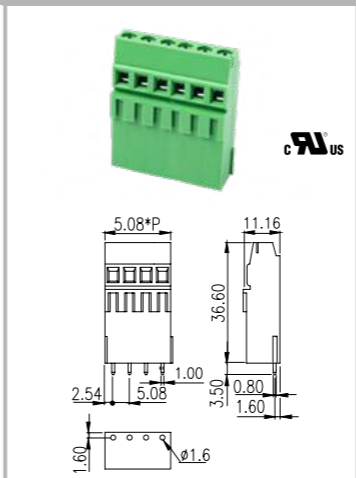
EK508V3L-XXP



E3K508V-XXP



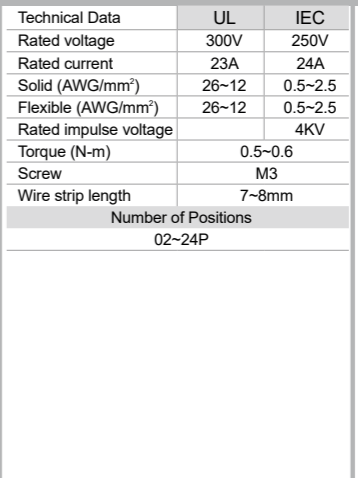
EEK508V-XXP



5.08mm

Technical Data	UL	IEC
Rated voltage	300V	250V
Rated current	23A	24A
Solid (AWG/mm ²)	26-12	0.5-2.5
Flexible (AWG/mm ²)	26-12	0.5-2.5
Rated impulse voltage	4KV	
Torque (N-m)	0.5-0.6	
Screw	M3	
Wire strip length	7-8mm	
Number of Positions		
02~24P		

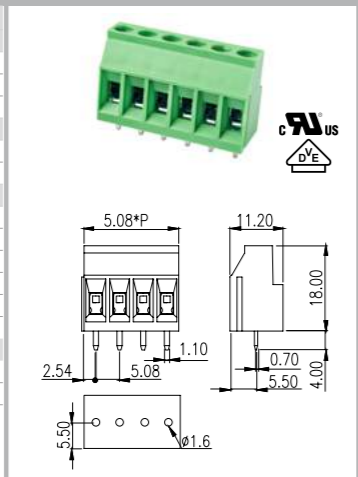
ESK508V-XXP



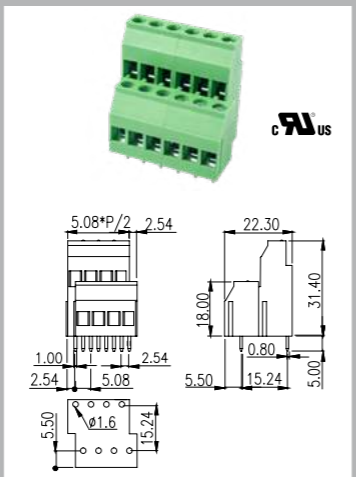
5.08mm

Technical Data	UL	IEC
Rated voltage		
EHK2V-XXP	300V	300V
EEHK2V-XXP	300V	250V
Rated current	25A	24A
Solid (AWG/mm ²)		
EHK2V-XXP	24~12	0.2~4
EEHK2V-XXP	24~12	0.5~2.5
Flexible (AWG/mm ²)		
EHK2V-XXP	24~12	0.2~2.5
EEHK2V-XXP	24~12	0.5~2.5
Rated impulse voltage	4KV	
Torque (N-m)	0.4-0.5	
Screw	M2.5	
Wire strip length	6-7mm	
Number of Positions		
EHK2V-XXP	02~24P	
EEHK2V-XXP	04~48P	

EHK2V-XXP



EEHK2V-XXP



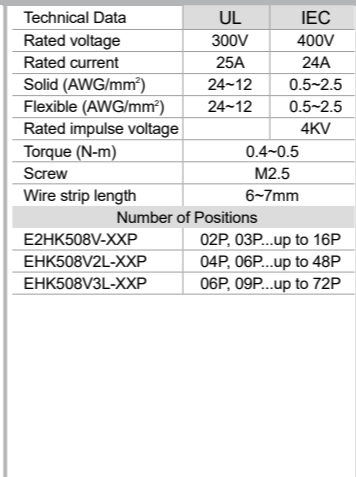
5.08mm

Technical Data	UL	IEC
Rated voltage	300V	400V
Rated current	25A	24A
Solid (AWG/mm ²)	24-12	0.5-2.5
Flexible (AWG/mm ²)	24-12	0.5-2.5
Rated impulse voltage	4KV	
Torque (N-m)	0.4-0.5	
Screw	M2.5	
Wire strip length	6-7mm	
Number of Positions		
E2HK508V-XXP	02P, 03P...up to 16P	
EHK508V2L-XXP	04P, 06P...up to 48P	
EHK508V3L-XXP	06P, 09P...up to 72P	

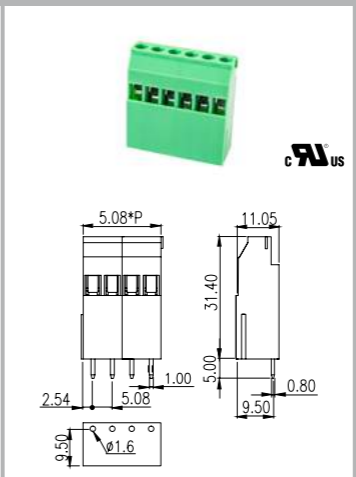
E2HK508V-XXP



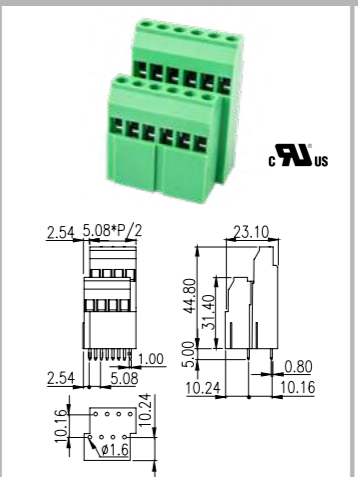
E2HK508V-XXPAM



EHK508V2L-XXP



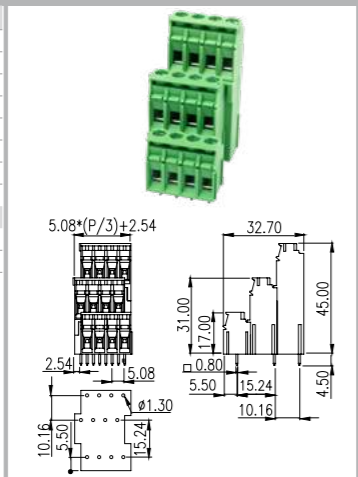
EHK508V3L-XXP



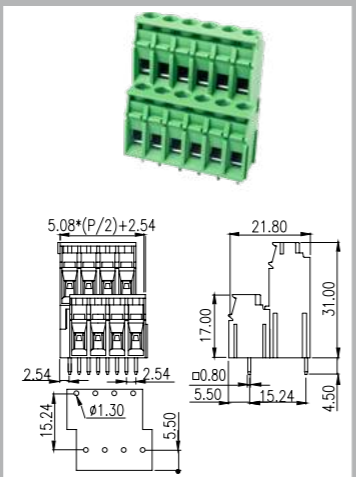
5.08mm

Technical Data	UL	IEC
Rated voltage	300V	400V
Rated current	20A	24A
Solid (AWG/mm ²)	26-12	0.2-2.5
Flexible (AWG/mm ²)	26-12	0.2-2.5
Rated impulse voltage	4KV	
Torque (N-m)	0.5-0.6	
Screw	M3	
Wire strip length	7-8mm	
Number of Positions		
ESK508V3L-XXP	06~48P	
ESK508V4L-XXP	04~32P	

ESK508V3L-XXP



ESK508V4L-XXP



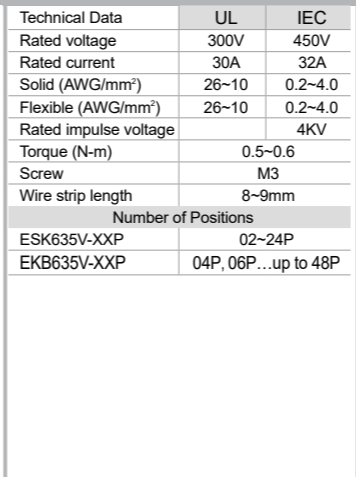
6.35mm

Technical Data	UL	IEC
Rated voltage	300V	450V
Rated current	30A	32A
Solid (AWG/mm ²)	26-10	0.2-4.0
Flexible (AWG/mm ²)	26-10	0.2-4.0
Rated impulse voltage	4KV	
Torque (N-m)	0.5-0.6	
Screw	M3	
Wire strip length	8-9mm	
Number of Positions		
ESK635V-XXP	02~24P	
EKB635V-XXP	04P, 06P...up to 48P	

ESK635V-XXP



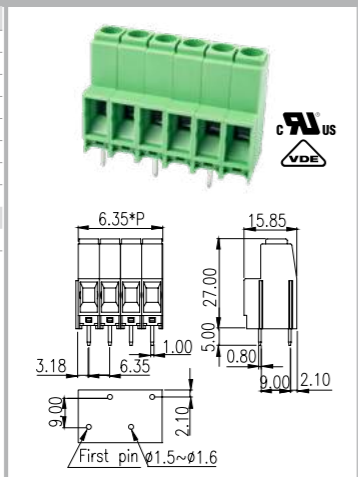
EKB635V-XXP



6.35mm

Technical Data	UL	IEC
Rated voltage	600V	1000V
Rated current	35A	41A
Solid (AWG/mm ²)	18-8	0.2-6
Flexible (AWG/mm ²)	18-8	0.2-6
Rated impulse voltage	8KV	
Torque (N-m)	0.5-0.6	
Screw	M3	
Wire strip length	9-10mm	
Number of Positions		
02~16P		

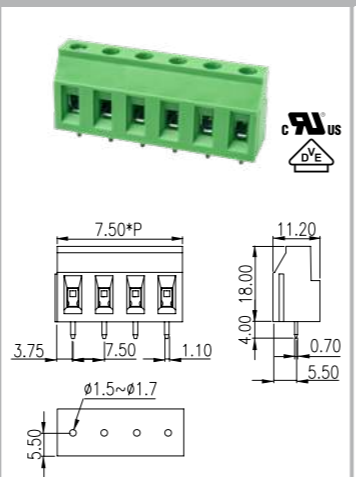
EPK635VN-XXP



7.50mm

Technical Data	UL	IEC
Rated voltage	300V	600V
Rated current	25A	24A
Solid (AWG/mm ²)	24-12	0.2-4
Flexible (AWG/mm ²)	24-12	0.2-2.5
Rated impulse voltage	6KV	
Torque (N-m)	0.4-0.5	
Screw	M2.5	
Wire strip length	7-8mm	
Number of Positions		
02~16P		

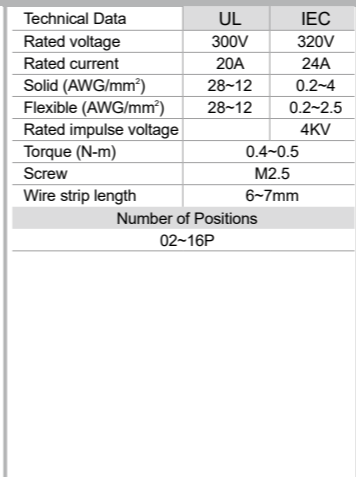
EHK7V-XXP



7.50mm

Technical Data	UL	IEC
Rated voltage	300V	320V
Rated current	20A	24A
Solid (AWG/mm ²)	28-12	0.2-4
Flexible (AWG/mm ²)	28-12	0.2-2.5
Rated impulse voltage	4KV	
Torque (N-m)	0.4-0.5	
Screw	M2.5	
Wire strip length	6-7mm	
Number of Positions		
02~16P		

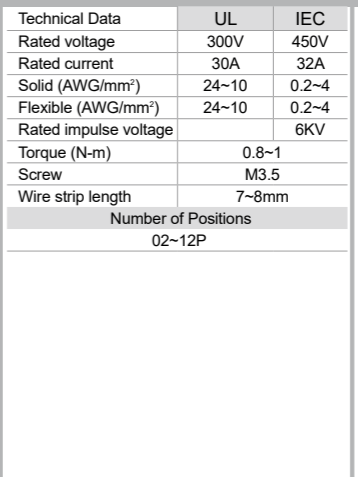
EK750V-XXP



7.50mm

Technical Data	UL	IEC
Rated voltage	300V	450V
Rated current	30A	32A
Solid (AWG/mm ²)	24-10	0.2-4
Flexible (AWG/mm ²)	24-10	0.2-4
Rated impulse voltage	6KV	
Torque (N-m)	0.8-1	
Screw	M3.5	
Wire strip length	7-8mm	
Number of Positions		
02~12P		

ESK750V-XXP



7.62mm EHK3V-XXP

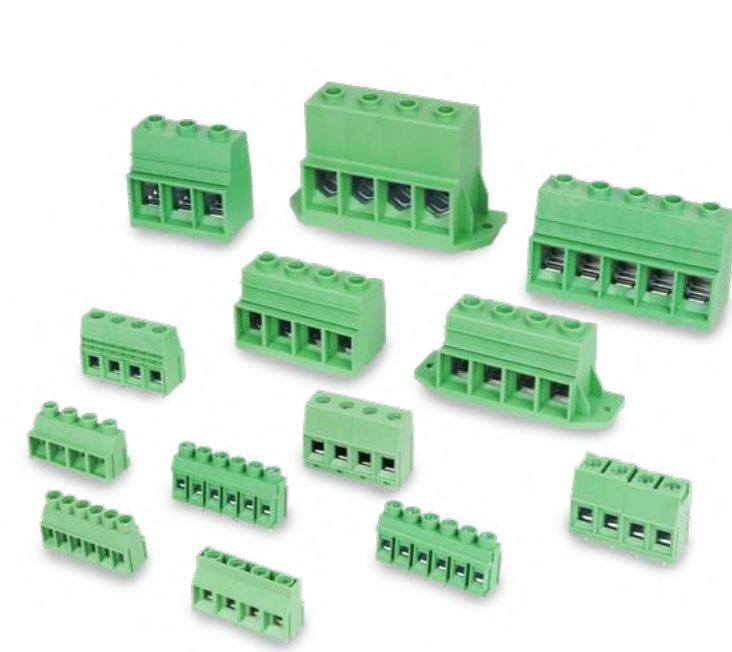
Technical Data		
UL	IEC	
Rated voltage	300V	600V
Rated current	25A	24A
Solid (AWG/mm ²)	24~12	0.2~4
Flexible (AWG/mm ²)	24~12	0.2~2.5
Rated impulse voltage	6KV	
Torque (N-m)	0.4~0.5	
Screw	M2.5	
Wire strip length	6~7mm	
Number of Positions		
02~16P		

7.62mm ESK762V-XXP

Technical Data		
UL	IEC	
Rated voltage	300V	750V
Rated current	30A	32A
Solid (AWG/mm ²)	24~10	0.2~4
Flexible (AWG/mm ²)	24~10	0.2~4
Rated impulse voltage	6KV	
Torque (N-m)	0.8~1	
Screw	M3.5	
Wire strip length	7~8mm	
Number of Positions		
02~12P		

EKB762V-XXP

Technical Data		
UL	IEC	
Rated voltage	300V	750V
Rated current	30A	32A
Solid (AWG/mm ²)	24~10	0.2~4
Flexible (AWG/mm ²)	24~10	0.2~4
Rated impulse voltage	6KV	
Torque (N-m)	0.8~1	
Screw	M3.5	
Wire strip length	7~8mm	
Number of Positions		
04P, 06P...32P		



9.52mm EK950V-XXP

Technical Data		
UL	IEC	
Rated voltage	300V	1000V
Rated current	30A	32A
Solid (AWG/mm ²)	26~10	0.5~4.0
Flexible (AWG/mm ²)	26~10	0.2~4
Rated impulse voltage	8KV	
Torque (N-m)	0.5~1.0	
Screw	M3	
Wire strip length	7~8mm	
Number of Positions		
02~25P		

EK950HVN-XXP

Technical Data		
UL	IEC	
Rated voltage	300V	630V
Rated current	65A	76A
Solid (AWG/mm ²)	22~6	0.5~16
Flexible (AWG/mm ²)	22~6	0.5~16
Rated impulse voltage	6KV	
Torque (N-m)	1.2~1.5	
Screw	M4	
Wire strip length	13~14mm	
Number of Positions		
02~10P		

10.16mm ESKW116V-XXP

Technical Data		
UL	IEC	
Rated voltage	300V	1000V
Rated current	65A	76A
Solid (AWG/mm ²)	20~6	0.5~16
Flexible (AWG/mm ²)	20~6	0.5~16
Rated impulse voltage	8KV	
Torque (N-m)	1.2~1.5	
Screw	M4	
Wire strip length	10~11mm	
Number of Positions		
02P, 03P.....		

ESK series transfers signals, data and power to printed circuit boards simply and securely. It is suitable for applications in many fields in various industries, such as frequency converters, servo drives, PLCs, inverters and other equipments. It can also be used in industrial Internet of Things applications.

The product range with pitches from 2.54mm to 20 mm is available in metric and inch pitches. The low-loss conductive structure design makes the load temperature rise lower. It can provide high-efficiency output while having excellent conductive properties and also an excellent choice for small to high power Electronic device for a wide range of applications.

- Compact dimension, easy connection, wide application
- Easy to integrate into panels of the devices for simple operations
- Multi-row layout enables high-density PCB connections

The pitches above 6.35mm are applied in greater power demand and provides reliable driving and control forces, allowing users to have excellent actuating and control capabilities in high-power equipment.

10.16mm EPK116VN-XXP

Technical Data		
UL	IEC	
Rated voltage	600V	1000V
Rated current	57A / 65A	76A
Solid (AWG/mm ²)	20~6	0.5~16
Flexible (AWG/mm ²)	20~6	0.5~16
Rated impulse voltage	8KV	
Torque (N-m)	1.2~1.5	
Screw	M4	
Wire strip length	12~13mm	
Number of Positions		
02~16P		

EPK116VS-XXP

Technical Data		
UL	IEC	
Rated voltage	300V	1000V
Rated current	65A	76A
Solid (AWG/mm ²)	20~6	0.5~16
Flexible (AWG/mm ²)	20~6	0.5~16
Rated impulse voltage	8KV	
Torque (N-m)	1.2~1.5	
Screw	M4	
Wire strip length	10~11mm	
Number of Positions		
02P, 03P.....		

10.16mm ESK116V-XXP

Technical Data		
UL	IEC	
Rated voltage	300V	1000V
Rated current	65A	76A
Solid (AWG/mm ²)	20~6	0.5~16
Flexible (AWG/mm ²)	20~6	0.5~16
Rated impulse voltage	8KV	
Torque (N-m)	1.2~1.5	
Screw	M4	
Wire strip length	10~11mm	
Number of Positions		
02P, 03P.....		

ESK116R-XXPAM

Technical Data		
UL	IEC	
Rated voltage	600V	1000V
Rated current	200A	232A
Solid (AWG/mm ²)	6~3/0	16~95
Flexible (AWG/mm ²)	6~3/0	25~95
Rated impulse voltage	8KV	
Torque (N-m)	10~12	
Screw	M8	
Wire strip length	25~26mm	
Number of Positions		
01~06P		

15.00mm ESK150V-XXP

Technical Data		
UL	IEC	
Rated voltage	600V	1000V
Rated current	115A	125A
Solid (AWG/mm ²)	20~2	0.5~35
Flexible (AWG/mm ²)	20~2	0.5~35
Rated impulse voltage	8KV	
Torque (N-m)	3.8~4.5	
Screw	M5	
Wire strip length	18~19mm	
Number of Positions		
02~09P		

ESK150VM-XXP

Technical Data		
UL	IEC	
Rated voltage	600V	1000V
Rated current	160A	192A
Solid (AWG/mm ²)	16~2/0	1.5~70
Flexible (AWG/mm ²)	16~2/0	1.5~70
Rated impulse voltage	8KV	
Torque (N-m)	5~6	
Screw	M6	
Wire strip length	19~21mm	
Number of Positions		
01~13P		

17.50mm ESK175V-XXP

Technical Data		
UL	IEC	
Rated voltage	600V	1000V
Rated current	160A	192A
Solid (AWG/mm ²)	16~2/0	1.5~70
Flexible (AWG/mm ²)	16~2/0	1.5~70
Rated impulse voltage	8KV	
Torque (N-m)	5~6	
Screw	M6	
Wire strip length	19~21mm	
Number of Positions		
01~11P		

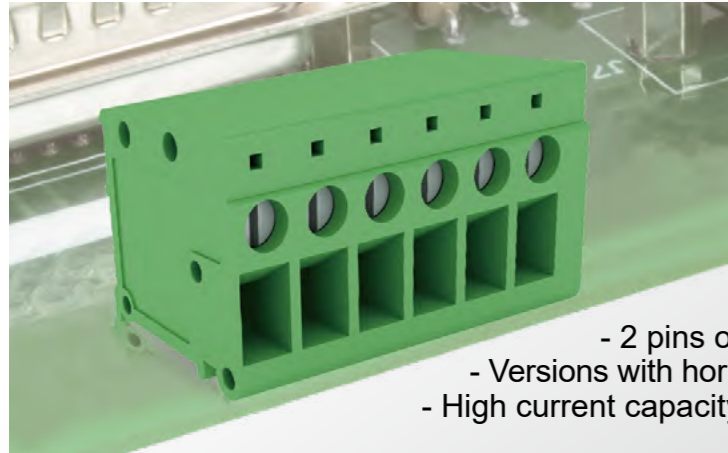
ESK175VM-XXP

Technical Data		
UL	IEC	
Rated voltage	600V	1000V
Rated current	200A	232A
Solid (AWG/mm ²)	6~3/0	16~95
Flexible (AWG/mm ²)	6~3/0	25~95
Rated impulse voltage	8KV	
Torque (N-m)	10~12	
Screw	M8	
Wire strip length	25~26mm	
Number of Positions		
01~06P		

20.00mm ESK200VM-XXP

Technical Data		
UL	IEC	
Rated voltage	600V	1000V
Rated current	200A	232A
Solid (AWG/mm ²)	6~3/0	16~95
Flexible (AWG/mm ²)	6~3/0	25~95
Rated impulse voltage	8KV	
Torque (N-m)	10~12	
Screw	M8	
Wire strip length	25~26mm	
Number of Positions		
01~06P		

Front Entry Screw Connection Terminal Blocks



Connection method: Screw connection
Pitch: 5.00mm / 6.35mm / 7.50mm / 7.62mm / 10.00mm
UL Rated Voltage: 300V ~ 600V
UL Rated Current: 20A ~ 65A
IEC Rated Voltage: 300V ~ 1000V
IEC Rated Current: 24A ~ 57A

- 2 pins on each pole for excellent stability on PCB
- Versions with horizontal and vertical wire entry direction to the PCB
- High current capacity up to 30A for 7.62mm pitch products

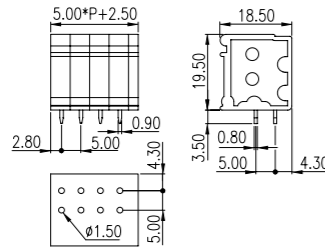
5.00mm

DT-123VA-XXP

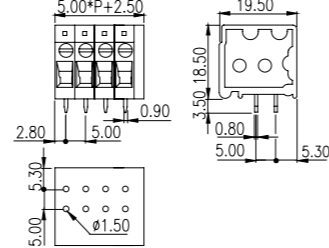
5.00mm

DT-123RA-XXP

Technical Data	UL	IEC
Rated voltage	300V	300V
Rated current	20A / 26A	24A
Solid (AWG/mm ²)	22~12	0.5~2.5
Flexible (AWG/mm ²)	22~12	0.5~2.5
Rated impulse voltage		4KV
Torque (N-m)	0.4~0.5	
Screw	M2.5	
Wire strip length	13~14mm	



Technical Data	UL	IEC
Rated voltage	300V	320V
Rated current	20A / 26A	32A
Solid (AWG/mm ²)	22~12	0.5~4
Flexible (AWG/mm ²)	22~12	0.5~4
Rated impulse voltage		4KV
Torque (N-m)	0.4~0.5	
Screw	M2.5	
Wire strip length	13~14mm	



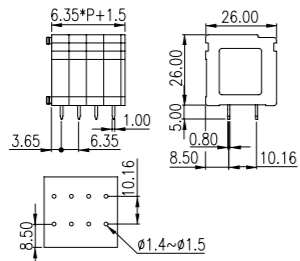
6.35mm

DT-2301-XXP

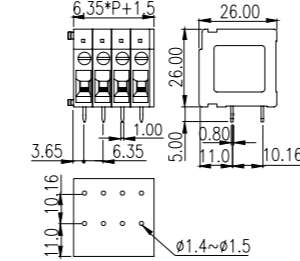
6.35mm

DT-2300-XXP

Technical Data	UL	IEC
Rated voltage	300V	320V
Rated current	30A	32A
Solid (AWG/mm ²)	22~10	0.5~6
Flexible (AWG/mm ²)	22~10	0.5~6
Rated impulse voltage		4KV
Torque (N-m)	0.5~0.6	
Screw	M3	
Wire strip length	13~14mm	



Technical Data	UL	IEC
Rated voltage	300V	320V
Rated current	30A	32A
Solid (AWG/mm ²)	22~10	0.5~6
Flexible (AWG/mm ²)	22~10	0.5~6
Rated impulse voltage		4KV
Torque (N-m)	0.5~0.6	
Screw	M3	
Wire strip length	13~14mm	



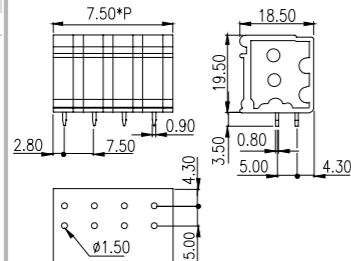
7.50mm

DT-123VA-XXP3

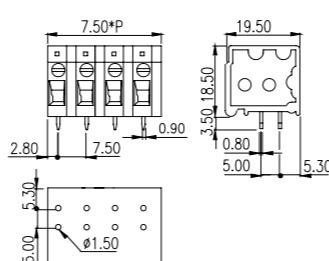
7.50mm

DT-123RA-XXP3

Technical Data	UL	IEC
Rated voltage	300V	630V
Rated current	20A / 26A	24A
Solid (AWG/mm ²)	22~12	0.5~2.5
Flexible (AWG/mm ²)	22~12	0.5~2.5
Rated impulse voltage		6KV
Torque (N-m)	0.5	
Screw	M2.5	
Wire strip length	13~14mm	



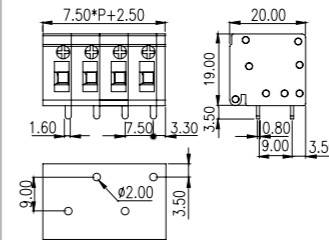
Technical Data	UL	IEC
Rated voltage	300V	500V
Rated current	20A / 26A	32A
Solid (AWG/mm ²)	22~12	0.5~4
Flexible (AWG/mm ²)	22~12	0.5~4
Rated impulse voltage		6KV
Torque (N-m)	0.5	
Screw	M2.5	
Wire strip length	13~14mm	



7.50mm

DT-123HVR-XXP

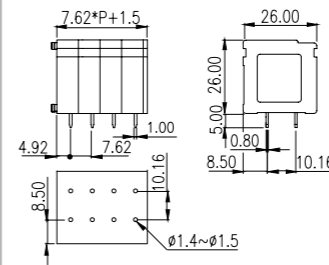
Technical Data	UL	IEC
Rated voltage	600V	1000V
Rated current	20A	24A
Solid (AWG/mm ²)	22~12	0.5~4
Flexible (AWG/mm ²)	22~12	0.5~4
Rated impulse voltage		8KV
Torque (N-m)	0.4~0.5	
Screw	M2.5	
Wire strip length	13~14mm	



7.62mm

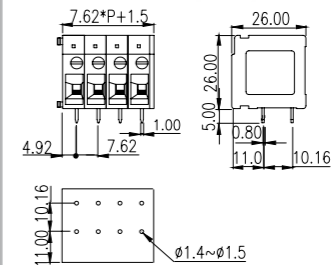
DT-2321-XXP

Technical Data	UL	IEC
Rated voltage	300V	630V
Rated current	30A	32A
Solid (AWG/mm ²)	22~10	0.5~6
Flexible (AWG/mm ²)	22~10	0.5~6
Rated impulse voltage		6KV
Torque (N-m)	0.5~0.6	
Screw	M3	
Wire strip length	13~14mm	



DT-2320-XXP

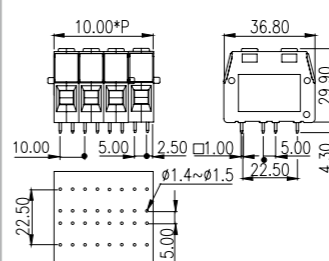
Technical Data	UL	IEC
Rated voltage	300V	630V
Rated current	30A	32A
Solid (AWG/mm ²)	22~10	0.5~6
Flexible (AWG/mm ²)	22~10	0.5~6
Rated impulse voltage		6KV
Torque (N-m)	0.5~0.6	
Screw	M3	
Wire strip length	13~14mm	



10.00mm

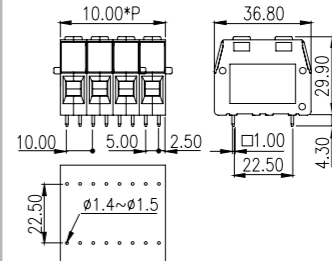
PDS-10-XX

Technical Data	UL	IEC
Rated voltage	300V	630V
Rated current	65A	57A
Solid (AWG/mm ²)	24~6	0.5~10
Flexible (AWG/mm ²)	24~6	0.5~10
Rated impulse voltage		4KV
Torque (N-m)	1.2~1.5	
Screw	M4	
Wire strip length	12~13mm	
Marking label	TM28	



PDS-10S-XX

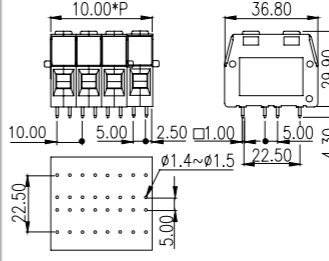
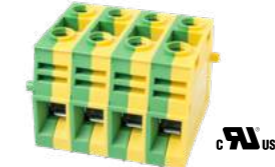
Technical Data	UL	IEC
Rated voltage	300V	630V
Rated current	65A	57A
Solid (AWG/mm ²)	24~6	0.5~10
Flexible (AWG/mm ²)	24~6	0.5~10
Rated impulse voltage		4KV
Torque (N-m)	1.2~1.5	
Screw	M4	
Wire strip length	12~13mm	
Marking label	TM28	



10.00mm

PDS-10A-XX

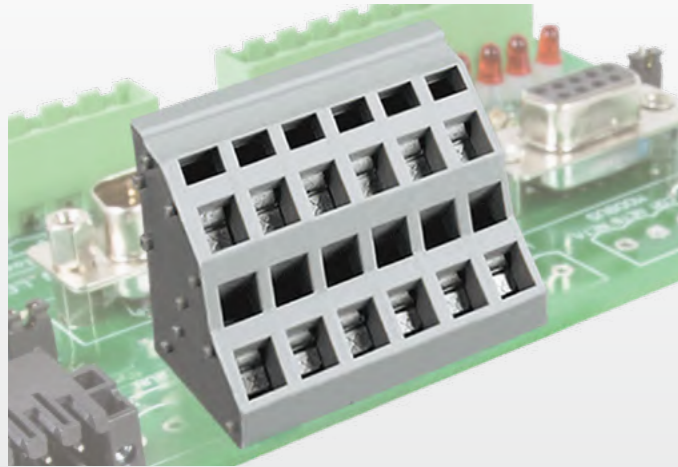
Technical Data	UL	IEC
Rated voltage	300V	630V
Rated current	65A	57A
Solid (AWG/mm ²)	24~6	0.5~10
Flexible (AWG/mm ²)	24~6	0.5~10
Rated impulse voltage		4KV
Torque (N-m)	1.2~1.5	
Screw	M4	
Wire strip length	12~13mm	
Marking label	TM28	



• Made to order

• Made to order

Spring Clamp Connection PCB Terminal Blocks



Connection method: Spring clamp connection
 Pitch: 2.50mm / 5.00mm / 5.08mm / 7.50mm / 10.00mm
 UL Rated: 300V/4A~ 300V/57A
 IEC Rated: 130V/6A~ 450V/76A

- Versions with single, double, triple and four-level PCB terminal blocks
- Colored marking of individual pole is available by request

5.00mm WKA500-XXPL

Technical Data	UL	IEC
Rated voltage	300V	320V
Rated current	15A	24A
Solid (AWG/mm ²)	28~12	0.2~2.5
Flexible (AWG/mm ²)	28~12	0.2~2.5
Rated impulse voltage	4KV	
Wire strip length	5~6mm	
Number of Positions		
02~12P		

5.08mm WKA508-XXP

Technical Data	UL	IEC
Rated voltage	300V	450V
Rated current	15A	24A
Solid (AWG/mm ²)	28~12	0.5~2.5
Flexible (AWG/mm ²)	28~12	0.5~2.5
Rated impulse voltage	4KV	
Wire strip length	5~6mm	
Number of Positions		
02P, 03P, 04P.....		

5.08mm WKK508-XXP

Technical Data	UL	IEC
Rated voltage	300V	450V
Rated current	10A	24A
Solid (AWG/mm ²)	28~12	0.5~2.5
Flexible (AWG/mm ²)	28~12	0.5~2.5
Rated impulse voltage	4KV	
Wire strip length	6~7mm	
Number of Positions		
04P, 06P, 08P.....		
W3K508-XXP 06P, 09P, 12P.....		
W4K508-XXP 08P, 12P, 16P.....		

5.08mm W3K508-XXP

Technical Data	UL	IEC
Rated voltage	300V	450V
Rated current	10A	24A
Solid (AWG/mm ²)	28~12	0.5~2.5
Flexible (AWG/mm ²)	28~12	0.5~2.5
Rated impulse voltage	4KV	
Wire strip length	6~7mm	
Number of Positions		
04P, 06P, 08P.....		
W3K508-XXP 06P, 09P, 12P.....		
W4K508-XXP 08P, 12P, 16P.....		

5.08mm W4K508-XXP

Technical Data	UL	IEC
Rated voltage	300V	450V
Rated current	10A	24A
Solid (AWG/mm ²)	28~12	0.5~2.5
Flexible (AWG/mm ²)	28~12	0.5~2.5
Rated impulse voltage	4KV	
Wire strip length	6~7mm	
Number of Positions		
04P, 06P, 08P.....		
W3K508-XXP 06P, 09P, 12P.....		
W4K508-XXP 08P, 12P, 16P.....		

5.00mm WKA50B-XXP

Technical Data	UL	IEC
Rated voltage	300V	320V
Rated current	10A	17.5A
Solid (AWG/mm ²)	24~16	0.2~1.5
Flexible (AWG/mm ²)	24~16	0.2~1.5
Rated impulse voltage	4KV	
Wire strip length	9~10mm	
Number of Positions		
02P, 03P.....		

5.00mm WSKA500S-XXP

Technical Data	UL	IEC
Rated voltage	300V	250V
Rated current	15A	24A
Solid (AWG/mm ²)	28~12	0.5~4
Flexible (AWG/mm ²)	28~12	0.5~4
Rated impulse voltage	4KV	
Wire strip length	10~11mm	
Number of Positions		
02P, 03P.....		

7.50mm WSKA750S-XXP

Technical Data	UL	IEC
Rated voltage	300V	750V
Rated current	30A	41A
Solid (AWG/mm ²)	26~10	0.5~6
Flexible (AWG/mm ²)	26~10	0.5~6
Rated impulse voltage	6KV	
Wire strip length	14~15mm	
Number of Positions		
02P, 03P.....		

10.00mm WSKA100-XXP

Technical Data	UL	IEC
Rated voltage	300V	450V
Rated current	57A	76A
Solid (AWG/mm ²)	24~6	0.5~16
Flexible (AWG/mm ²)	24~6	0.5~16
Rated impulse voltage	4KV	
Wire strip length	14~15mm	
Number of Positions		
02~12P		

2.50mm WKA250A-XXP

Technical Data	UL	IEC
Rated voltage	300V	130V
Rated current	4A	6A
Solid (AWG/mm ²)	28~20	0.5
Flexible (AWG/mm ²)	28~20	0.5
Rated impulse voltage	2.5KV	
Wire strip length	5~6mm	
Number of Positions		
WKA250A-XXP 02P, 03P, 04P.....		
WKV250A-XXP 02P, 03P, 04P.....		

• Made to order

2.54mm WKA254A-XXP

Technical Data	UL	IEC
Rated voltage	300V	130V
Rated current	4A	6A
Solid (AWG/mm ²)	28~20	0.5
Flexible (AWG/mm ²)	28~20	0.5
Rated impulse voltage	2.5KV	
Wire strip length	5~6mm	
Number of Positions		
WKA254A-XXP 02P, 03P, 04P.....		
WKV254A-XXP 02P, 03P, 04P.....		

• Made to order

5.00mm WKA500-XXP

Technical Data	UL	IEC
Rated voltage	300V	450V
Rated current	15A	24A
Solid (AWG/mm ²)	28~12	0.5~2.5
Flexible (AWG/mm ²)	28~12	0.5~2.5
Rated impulse voltage	4KV	
Wire strip length	5~6mm	
Number of Positions		
WKA500-XXP 02P, 03P, 04P.....		

5.00mm WKK500-XXP

Technical Data	UL	IEC
Rated voltage	300V	450V
Rated current	10A	24A
Solid (AWG/mm ²)	28~12	0.5~2.5
Flexible (AWG/mm ²)	28~12	0.5~2.5
Rated impulse voltage	4KV	
Wire strip length	6~7mm	
Number of Positions		
WKK500-XXP 04P, 06P, 08P.....		
W3K500-XXP 06P, 09P, 12P.....		
W4K500-XXP 08P, 12P, 16P.....		

5.00mm W3K500-XXP

Technical Data	UL	IEC
Rated voltage	300V	450V
Rated current	10A	24A
Solid (AWG/mm ²)	28~12	0.5~2.5
Flexible (AWG/mm ²)	28~12	0.5~2.5
Rated impulse voltage	4KV	
Wire strip length	6~7mm	
Number of Positions		
04P, 06P, 08P.....		
W3K500-XXP 06P, 09P, 12P.....		
W4K500-XXP 08P, 12P, 16P.....		

5.00mm W4K500-XXP

Technical Data	UL	IEC
Rated voltage	300V	450V
Rated current	10A	24A
Solid (AWG/mm ²)	28~12	0.5~2.5
Flexible (AWG/mm ²)	28~12	0.5~2.5
Rated impulse voltage	4KV	
Wire strip length	6~7mm	
Number of Positions		
04P, 06P, 08P.....		
W3K500-XXP 06P, 09P, 12P.....		
W4K500-XXP 08P, 12P, 16P.....		

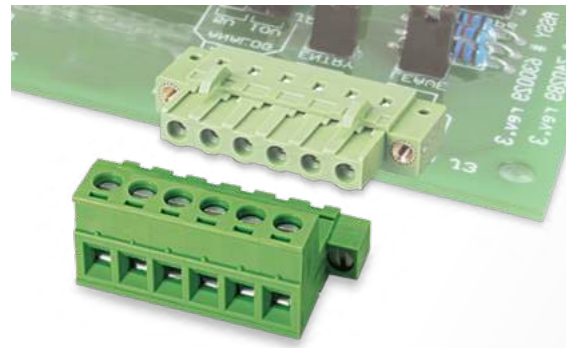
5.08mm WKA508-XXP

Technical Data	UL	IEC
Rated voltage	300V	450V
Rated current	15A	24A
Solid (AWG/mm ²)	28~12	0.5~2.5
Flexible (AWG/mm ²)	28~12	0.5~2.5
Rated impulse voltage	4KV	
Wire strip length	5~6mm	
Number of Positions		
02P, 03P, 04P.....		

5.08mm WKK508-XXP

Technical Data	UL	IEC
Rated voltage	300V	450V
Rated current	10A	24A
Solid (AWG/mm ²)	28~12	0.5~2.5
Flexible (AWG/mm ²)	28~12	0.5~2.5
Rated impulse voltage	4KV	
Wire strip length	6~7mm	
Number of Positions		
04P, 06P, 08P.....		
W3K508-XXP 06P, 09P, 12P.....		
W4K508-XXP 08P, 12P, 16P.....		

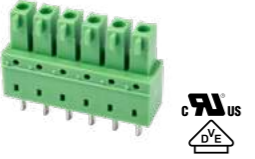
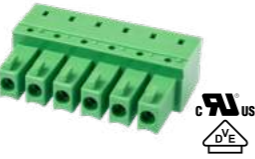
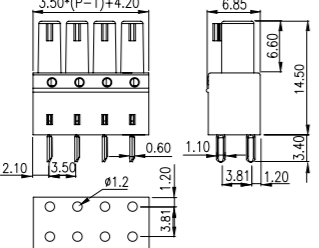
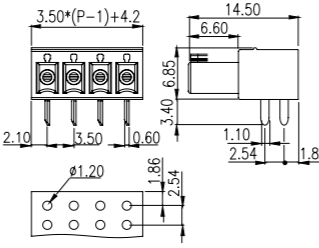


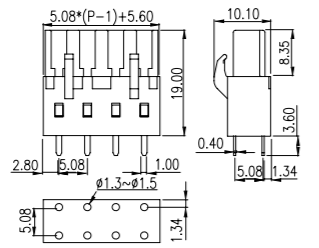
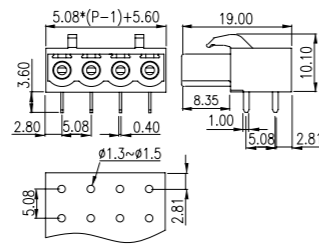


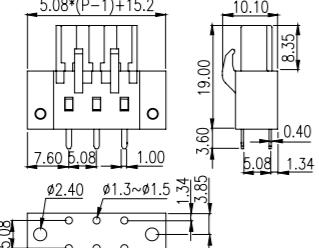
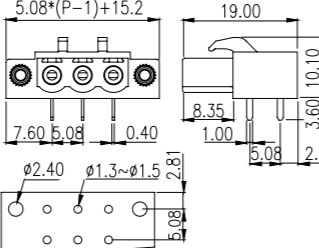
Screw connection Inverted Headers



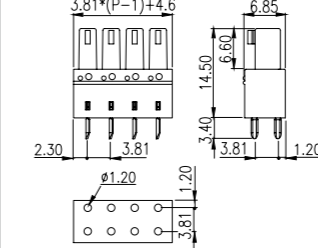
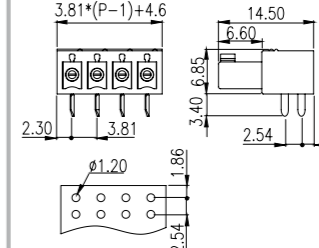


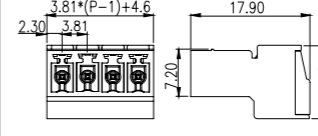
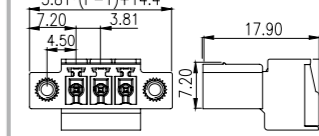


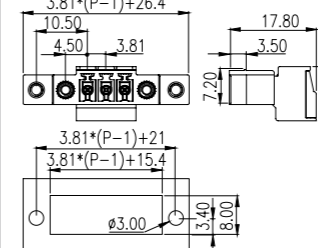
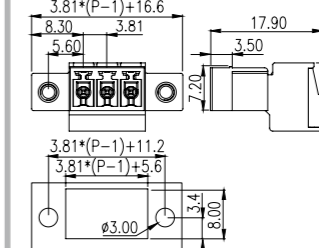


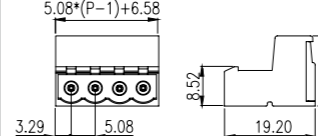
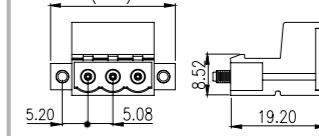




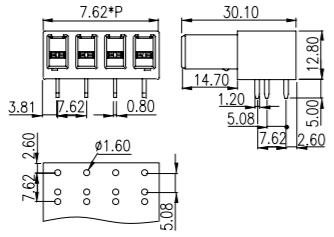
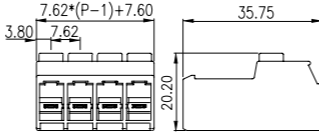
Connection method: screw connection / inverted plugs

Pitch: 3.50mm / 3.81mm / 5.08mm / 7.62mm / 10.16mm
 UL Rated: 300V / 8A~600V / 51A
 IEC Rated: 320V / 8A ~ 1000V / 76A


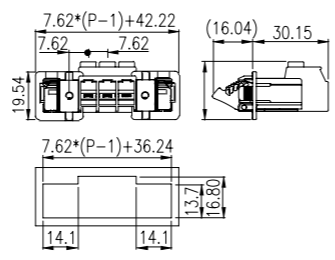
Inverted connectors and its mating parts provide PCB-to-PCB and wire-to-wire connections. It is ideal for applications that require power to be drawn from the PCB. To enhance the insertion and extraction force of the connector, it is equipped with screw flanges, which can be securely locked to the connector. Screw flanges can also be used as panel feedthroughs on the header side, providing additional stability within the unit. These connectors have been certified by UL1059

3.50mm			EC350CV-XXP	EC350CR-XXP	Socket		
Technical Data	UL	IEC			ECH350V-XXP	P69	
Rated voltage	300V	320V			ECH350R-XXP	P69	
Rated current	8A	8A			Please refer to the related page number for the compatible headers.		
Rated impulse voltage		2.5KV					
Number of Positions		02~16P					
							
5.08mm			2ESDCV-XXP	2ESDCR-XXP	Socket		
Technical Data	UL	IEC			2EHDV-XXP	P76	
Rated voltage	300V	630V			2EHDVC-XXP	P76	
Rated current	15A/12A	12A			2EHDR-XXP	P76	
Rated impulse voltage		4KV			2EHDRC-XXP	P76	
Number of Positions		02~20P					
2ESDCVM-XXP		02~20P					
2ESDCRM-XXP		02~24P					
2ESDCV-XXP		02~24P					
2ESDCR-XXP							
							
			2ESDCVM-XXP	2ESDCRM-XXP	Socket		
						2ESHM-XXP P122 Please refer to the related page number for the compatible headers.	
							



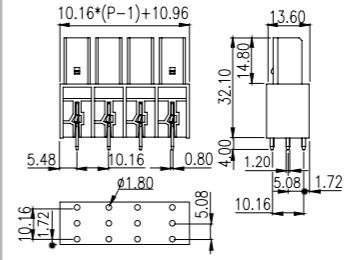
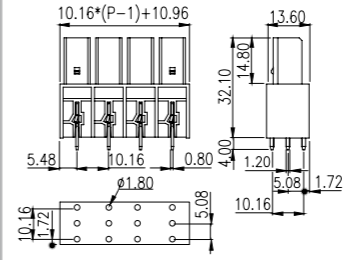
3.81mm			EC381CV-XXP	EC381CR-XXP	Socket	
Technical Data	UL	IEC			ECH381V-XXP	P71
Rated voltage	300V	320V			ECH381R-XXP	P71
Rated current	8A	12A			Please refer to the related page number for the compatible headers.	
Rated impulse voltage		2.5KV				
Number of Positions		02~16P				
						
3.81mm			ECSH381V-XXP	ECSH381VM-XXP	Plug	
Technical Data	UL	IEC			For ECSH381V-XXP	
Rated voltage	300V	320V			EC381CV-XXP	P122
Rated current	8A	12A			EC381CR-XXP	P122
Solid (AWG/mm ²)	30~14	0.2~1.5			EC381V-XXP	P49
Flexible (AWG/mm ²)	30~14	0.2~1.5	EC381R-XXP	P49		
Rated impulse voltage		2.5KV	EC381RL-XXP	P49		
Torque (N-m)		0.2	EC381F-XXP	P50		
Screw		M2	For ECSH381VM-XXP			
Wire strip length		6~7mm	EC381VM-XXP	P49		
Number of Positions		02~24P				
						
Please refer to the related page number for the compatible headers.			EC381RM-XXP P71		Please refer to the related page number for the compatible headers.	
3.81mm			ECSH381MK-XXP	ECSH381K-XXP		
Technical Data	UL	IEC				
Rated voltage	300V	320V				
Rated current	8A	12A				
Solid (AWG/mm ²)	30~14	0.2~1.5				
Flexible (AWG/mm ²)	30~14	0.2~1.5				
Rated impulse voltage		2.5KV				
Torque (N-m)		0.2				
Screw		M2				
Wire strip length		6~7mm				
Number of Positions		02~22P				
ECSH381MK-XXP		02~22P				
ECSH381K-XXP		02~24P				
Accessories		EHDK1 P66				
						
5.08mm			2ESH-XXP	2ESHM-XXP	Plug	
Technical Data	UL	IEC			For 2ESH-XXP	
Rated voltage	300V	320V			2ESDCV-XXP	P121
Rated current	15A	12A			2ESDCR-XXP	P121
Solid (AWG/mm ²)	24~12	0.2~2.5			For 2ESHM-XXP	
Flexible (AWG/mm ²)	24~12	0.2~2.5	2ESDCVM-XXP	P121		
Rated impulse voltage		2.5KV	2ESDCRM-XXP	P121		
Torque (N-m)		0.6	Please refer to the related page number for the compatible headers.			
Screw		M2.5				
Wire strip length		7mm				
Number of Positions		02~12P				
Accessories		EHDK1 P65				
						


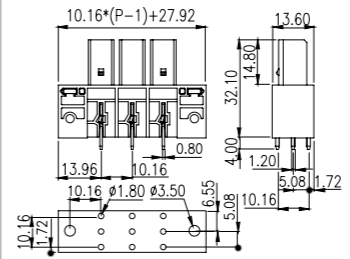
7.62mm			7.62mm		
EC762CR-XXP			ECSH762V-XXP		
Technical Data	UL	IEC	Technical Data	UL	IEC
Rated voltage	300V	1000V	Rated voltage	600V	1000V
Rated current	41A	41A	Rated current	41A	41A
Rated impulse voltage		6KV	Solid (AWG/mm ²)	30~8	0.2~6
Number of Positions			Flexible (AWG/mm ²)	30~8	0.2~6
02~12P			Rated impulse voltage		8KV
Accessories			Torque (N-m)	0.5~0.6	
ECHK2	P66		Screw	M3	
					
					



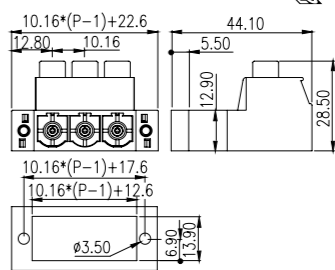
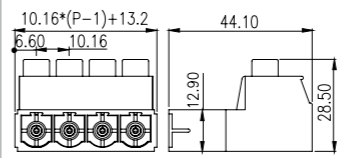
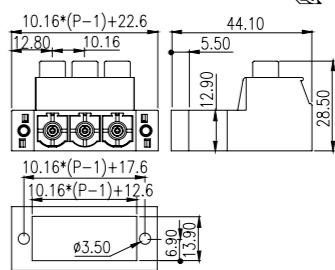
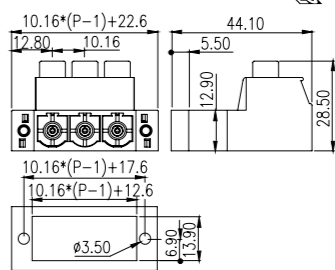
7.62mm			7.62mm		
ECSH762SS-XXP			ECSH762SS-XXP		
			600V		
					
					



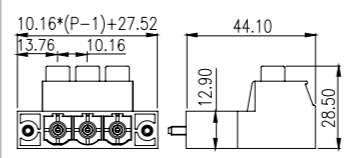
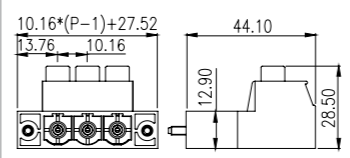
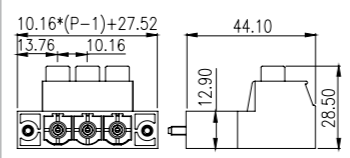
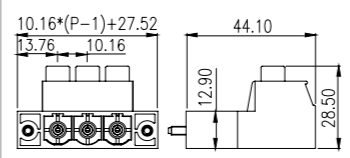
7.62mm			7.62mm		
ECSH762FS-XXP			ECSH762FS-XXP		
			600V		
					
					

7.62mm			7.62mm		
ECSH762FS-XXP			ECSH762FS-XXP		
			600V		
					
					

10.16mm			10.16mm		
EC116CV-XXP			EC116CV-XXP		
Technical Data	UL	IEC	Technical Data	UL	IEC
Rated voltage	300V	1000V	Rated voltage	300V	1000V
Rated current	51A	76A	Rated current	51A	76A
Rated impulse voltage		8KV	Rated impulse voltage		8KV
Number of Positions			Number of Positions		
02~10P			02~10P		
Accessories			Accessories		
ECHK2	P66		ECHK2	P66	
					
					

10.16mm			10.16mm		
EC116CVM-XXP			EC116CVM-XXP		
			600V		
					
					

10.16mm			10.16mm			Socket	
ECSH116V-XXP			ECSH116K-XXP			ECSH116V-XXP	
Technical Data	UL	IEC	Technical Data	UL	IEC	P64	
Rated voltage	600V	1000V	Rated voltage	600V	1000V	P64	
Rated current	51A	76A	Rated current	51A	76A	P64	
Solid (AWG/mm ²)	16~6	0.5~16	Solid (AWG/mm ²)	16~6	0.5~16	P64	
Flexible (AWG/mm ²)	16~6	0.5~16	Flexible (AWG/mm ²)	16~6	0.5~16	P64	
Rated impulse voltage		8KV	Rated impulse voltage		8KV	P64	
Screw	M4		Screw	M4		P64	
Wire strip length	14~15mm		Wire strip length	14~15mm		P64	
Number of Positions			Number of Positions			P64	
02~10P			02~10P			P64	
Accessories			Accessories			P64	
ECHK2	P66		ECHK2	P66		P64	
							
							

10.16mm			10.16mm			Plug	
ECSH116VM-XXP			ECSH116VM-XXP			ECSH116VM-XXP	
Technical Data	UL	IEC	Technical Data	UL	IEC	P110	
Rated voltage	600V	1000V	Rated voltage	600V	1000V	P110	
Rated current	51A	76A	Rated current	51A	76A	P110	
Solid (AWG/mm ²)	16~6	0.5~16	Solid (AWG/mm ²)	16~6	0.5~16	P110	
Flexible (AWG/mm ²)	16~6	0.5~16	Flexible (AWG/mm ²)	16~6	0.5~16	P110	
Rated impulse voltage		8KV	Rated impulse voltage		8KV	P110	
Screw	M4		Screw	M4		P110	
Wire strip length	14~15mm		Wire strip length	14~15mm		P110	
Number of Positions			Number of Positions			P110	
02~10P			02~10P			P110	
Accessories			Accessories			P110	
ECHK2	P66		ECHK2	P66		P110	
							
							

Card Edge Connectors Connection to PCB



Connection method: push-in or screw connection

Pitch: 3.5mm / 5.0mm
(7.0mm & 10.0mm available on request)

UL Rated: 150V/12A ~300V/6A
IEC Rated: 320V/5A ~400V/12A

- Card-edge connection on a 1.0 or 1.6mm thick PCB
- Push-in connection for quick and easy wiring
- Special indication design on each pole allows integration
- Special indication design on each pole allows integration LED on the PCB for clear signal identification
- CPC350 and 5ESDG are screw connection on a 1.6mm thick PCB

3.50mm			0184-11XX			5.00mm			0184-31XX			3.50mm			CPC350-XXP																																																																																																																													
<table border="1"> <thead> <tr> <th>Technical Data</th> <th>UL</th> <th>IEC</th> </tr> </thead> <tbody> <tr> <td>Rated voltage</td> <td>150V</td> <td>320V</td> </tr> <tr> <td>Rated current</td> <td>6A</td> <td>7A</td> </tr> <tr> <td>Solid (AWG/mm²)</td> <td>24~16</td> <td>0.2~1.5</td> </tr> <tr> <td>Flexible (AWG/mm²)</td> <td>24~16</td> <td>0.2~1.5</td> </tr> <tr> <td>Rated impulse voltage</td> <td></td> <td>2.5KV</td> </tr> <tr> <td>Wire strip length</td> <td colspan="2">8~9mm</td> </tr> <tr> <td colspan="3">Number of Positions</td> </tr> <tr> <td colspan="3">Q2~24P</td> </tr> <tr> <td colspan="3">PCB thickness</td> </tr> <tr> <td>0184-11XX</td> <td colspan="2">1.0 mm</td> </tr> <tr> <td>0184-15XX</td> <td colspan="2">1.6 mm</td> </tr> <tr> <td>0184-13XX</td> <td colspan="2">1.6 mm</td> </tr> <tr> <td>0184-16XX</td> <td colspan="2">1.6 mm</td> </tr> </tbody> </table>			Technical Data	UL	IEC	Rated voltage	150V	320V	Rated current	6A	7A	Solid (AWG/mm ²)	24~16	0.2~1.5	Flexible (AWG/mm ²)	24~16	0.2~1.5	Rated impulse voltage		2.5KV	Wire strip length	8~9mm		Number of Positions			Q2~24P			PCB thickness			0184-11XX	1.0 mm		0184-15XX	1.6 mm		0184-13XX	1.6 mm		0184-16XX	1.6 mm		 			<table border="1"> <thead> <tr> <th>Technical Data</th> <th>UL</th> <th>IEC</th> </tr> </thead> <tbody> <tr> <td>Rated voltage</td> <td>300V</td> <td>320V</td> </tr> <tr> <td>Rated current</td> <td>6A</td> <td>7A</td> </tr> <tr> <td>Solid (AWG/mm²)</td> <td>24~16</td> <td>0.2~1.5</td> </tr> <tr> <td>Flexible (AWG/mm²)</td> <td>24~16</td> <td>0.2~1.5</td> </tr> <tr> <td>Rated impulse voltage</td> <td></td> <td>4KV</td> </tr> <tr> <td>Wire strip length</td> <td colspan="2">8~9mm</td> </tr> <tr> <td colspan="3">Number of Positions</td> </tr> <tr> <td colspan="3">Q2~18P</td> </tr> <tr> <td colspan="3">PCB thickness</td> </tr> <tr> <td>0184-31XX</td> <td colspan="2">1.0 mm</td> </tr> <tr> <td>0184-35XX</td> <td colspan="2">1.0 mm</td> </tr> <tr> <td>0184-33XX</td> <td colspan="2">1.6 mm</td> </tr> <tr> <td>0184-36XX</td> <td colspan="2">1.6 mm</td> </tr> </tbody> </table>			Technical Data	UL	IEC	Rated voltage	300V	320V	Rated current	6A	7A	Solid (AWG/mm ²)	24~16	0.2~1.5	Flexible (AWG/mm ²)	24~16	0.2~1.5	Rated impulse voltage		4KV	Wire strip length	8~9mm		Number of Positions			Q2~18P			PCB thickness			0184-31XX	1.0 mm		0184-35XX	1.0 mm		0184-33XX	1.6 mm		0184-36XX	1.6 mm		 			<table border="1"> <thead> <tr> <th>Technical Data</th> <th>UL</th> <th>IEC</th> </tr> </thead> <tbody> <tr> <td>Rated voltage</td> <td>150V</td> <td>320V</td> </tr> <tr> <td>Rated current</td> <td>12A</td> <td>14A</td> </tr> <tr> <td>Solid (AWG/mm²)</td> <td>28~14</td> <td>0.2~1.5</td> </tr> <tr> <td>Flexible (AWG/mm²)</td> <td>28~14</td> <td>0.2~1.5</td> </tr> <tr> <td>Rated impulse voltage</td> <td></td> <td>2.5KV</td> </tr> <tr> <td>Torque (N-m)</td> <td colspan="2">0.2~0.25</td> </tr> <tr> <td>Screw</td> <td colspan="2">M2</td> </tr> <tr> <td>Wire strip length</td> <td colspan="2">5~6mm</td> </tr> <tr> <td colspan="3">Number of Positions</td> </tr> <tr> <td colspan="3">Q2~24P</td> </tr> <tr> <td colspan="3">PCB thickness</td> </tr> <tr> <td colspan="3">1.6 mm</td> </tr> </tbody> </table>			Technical Data	UL	IEC	Rated voltage	150V	320V	Rated current	12A	14A	Solid (AWG/mm ²)	28~14	0.2~1.5	Flexible (AWG/mm ²)	28~14	0.2~1.5	Rated impulse voltage		2.5KV	Torque (N-m)	0.2~0.25		Screw	M2		Wire strip length	5~6mm		Number of Positions			Q2~24P			PCB thickness			1.6 mm			 		
Technical Data	UL	IEC																																																																																																																																										
Rated voltage	150V	320V																																																																																																																																										
Rated current	6A	7A																																																																																																																																										
Solid (AWG/mm ²)	24~16	0.2~1.5																																																																																																																																										
Flexible (AWG/mm ²)	24~16	0.2~1.5																																																																																																																																										
Rated impulse voltage		2.5KV																																																																																																																																										
Wire strip length	8~9mm																																																																																																																																											
Number of Positions																																																																																																																																												
Q2~24P																																																																																																																																												
PCB thickness																																																																																																																																												
0184-11XX	1.0 mm																																																																																																																																											
0184-15XX	1.6 mm																																																																																																																																											
0184-13XX	1.6 mm																																																																																																																																											
0184-16XX	1.6 mm																																																																																																																																											
Technical Data	UL	IEC																																																																																																																																										
Rated voltage	300V	320V																																																																																																																																										
Rated current	6A	7A																																																																																																																																										
Solid (AWG/mm ²)	24~16	0.2~1.5																																																																																																																																										
Flexible (AWG/mm ²)	24~16	0.2~1.5																																																																																																																																										
Rated impulse voltage		4KV																																																																																																																																										
Wire strip length	8~9mm																																																																																																																																											
Number of Positions																																																																																																																																												
Q2~18P																																																																																																																																												
PCB thickness																																																																																																																																												
0184-31XX	1.0 mm																																																																																																																																											
0184-35XX	1.0 mm																																																																																																																																											
0184-33XX	1.6 mm																																																																																																																																											
0184-36XX	1.6 mm																																																																																																																																											
Technical Data	UL	IEC																																																																																																																																										
Rated voltage	150V	320V																																																																																																																																										
Rated current	12A	14A																																																																																																																																										
Solid (AWG/mm ²)	28~14	0.2~1.5																																																																																																																																										
Flexible (AWG/mm ²)	28~14	0.2~1.5																																																																																																																																										
Rated impulse voltage		2.5KV																																																																																																																																										
Torque (N-m)	0.2~0.25																																																																																																																																											
Screw	M2																																																																																																																																											
Wire strip length	5~6mm																																																																																																																																											
Number of Positions																																																																																																																																												
Q2~24P																																																																																																																																												
PCB thickness																																																																																																																																												
1.6 mm																																																																																																																																												
			0184-15XX						0184-35XX			5.00mm			5ESDG-XXP																																																																																																																													
			 						 			<table border="1"> <thead> <tr> <th>Technical Data</th> <th>UL</th> <th>IEC</th> </tr> </thead> <tbody> <tr> <td>Rated voltage</td> <td>300V</td> <td>320V</td> </tr> <tr> <td>Rated current</td> <td>16A</td> <td>14A</td> </tr> <tr> <td>Solid (AWG/mm²)</td> <td>28~12</td> <td>0.2~2.5</td> </tr> <tr> <td>Flexible (AWG/mm²)</td> <td>28~12</td> <td>0.2~2.5</td> </tr> <tr> <td>Rated impulse voltage</td> <td></td> <td>2.5KV</td> </tr> <tr> <td>Torque (N-m)</td> <td colspan="2">0.5</td> </tr> <tr> <td>Screw</td> <td colspan="2">M2.5</td> </tr> <tr> <td>Wire strip length</td> <td colspan="2">7~8mm</td> </tr> <tr> <td colspan="3">Number of Positions</td> </tr> <tr> <td colspan="3">Q2~14P</td> </tr> <tr> <td colspan="3">PCB thickness</td> </tr> <tr> <td colspan="3">1.6 mm</td> </tr> </tbody> </table>			Technical Data	UL	IEC	Rated voltage	300V	320V	Rated current	16A	14A	Solid (AWG/mm ²)	28~12	0.2~2.5	Flexible (AWG/mm ²)	28~12	0.2~2.5	Rated impulse voltage		2.5KV	Torque (N-m)	0.5		Screw	M2.5		Wire strip length	7~8mm		Number of Positions			Q2~14P			PCB thickness			1.6 mm			 																																																																																						
Technical Data	UL	IEC																																																																																																																																										
Rated voltage	300V	320V																																																																																																																																										
Rated current	16A	14A																																																																																																																																										
Solid (AWG/mm ²)	28~12	0.2~2.5																																																																																																																																										
Flexible (AWG/mm ²)	28~12	0.2~2.5																																																																																																																																										
Rated impulse voltage		2.5KV																																																																																																																																										
Torque (N-m)	0.5																																																																																																																																											
Screw	M2.5																																																																																																																																											
Wire strip length	7~8mm																																																																																																																																											
Number of Positions																																																																																																																																												
Q2~14P																																																																																																																																												
PCB thickness																																																																																																																																												
1.6 mm																																																																																																																																												
			0184-13XX						0184-33XX			3.50mm			0184-01XX																																																																																																																													
			 						 			<table border="1"> <thead> <tr> <th>Technical Data</th> <th>UL</th> <th>IEC</th> </tr> </thead> <tbody> <tr> <td>Rated voltage</td> <td>150V</td> <td>320V</td> </tr> <tr> <td>Rated current</td> <td>8A</td> <td>8A</td> </tr> <tr> <td>Solid (AWG/mm²)</td> <td>24~16</td> <td>0.2~1.5</td> </tr> <tr> <td>Flexible (AWG/mm²)</td> <td>24~16</td> <td>0.2~1.5</td> </tr> <tr> <td>Rated impulse voltage</td> <td></td> <td>2.5</td> </tr> <tr> <td>Wire strip length</td> <td colspan="2">8~9mm</td> </tr> <tr> <td colspan="3">Number of Positions</td> </tr> <tr> <td colspan="3">16P, 18P</td> </tr> <tr> <td colspan="3">PCB thickness</td> </tr> <tr> <td colspan="3">1.0 mm</td> </tr> </tbody> </table>			Technical Data	UL	IEC	Rated voltage	150V	320V	Rated current	8A	8A	Solid (AWG/mm ²)	24~16	0.2~1.5	Flexible (AWG/mm ²)	24~16	0.2~1.5	Rated impulse voltage		2.5	Wire strip length	8~9mm		Number of Positions			16P, 18P			PCB thickness			1.0 mm			 																																																																																												
Technical Data	UL	IEC																																																																																																																																										
Rated voltage	150V	320V																																																																																																																																										
Rated current	8A	8A																																																																																																																																										
Solid (AWG/mm ²)	24~16	0.2~1.5																																																																																																																																										
Flexible (AWG/mm ²)	24~16	0.2~1.5																																																																																																																																										
Rated impulse voltage		2.5																																																																																																																																										
Wire strip length	8~9mm																																																																																																																																											
Number of Positions																																																																																																																																												
16P, 18P																																																																																																																																												
PCB thickness																																																																																																																																												
1.0 mm																																																																																																																																												
			0184-16XX						0184-36XX																																																																																																																																			

PCB Terminal Blocks For Electronic Housing Applications



Connection method: Push-in connection / screw connection

Pitch: 3.81mm / 5.00mm / 5.08mm / 9.00mm / 12.50mm

UL Rated: 150V / 8A ~ 300V / 15A

IEC Rated: 320V / 14A ~ 320V / 20A

- Versions with LED light pipe on 0171 series

- 5ESDT plug (p. 51) is the mating plug for 5EH-XXP sockets

- The terminal block design aims to increase the density of connections on PCB while using as less space as possible, the terminal pins are situated at a right angle of the wire entry direction.

DIN rail connector for DIN rail mounting in 5 pole gold-plated contacts, which helps to connect the modules on the DIN rail to play the role of power and signal transmission. BST-220-05 in black housing is for output function. The connectors fit enclosures in the width of 6.2mm, 17.5mm and 22mm.

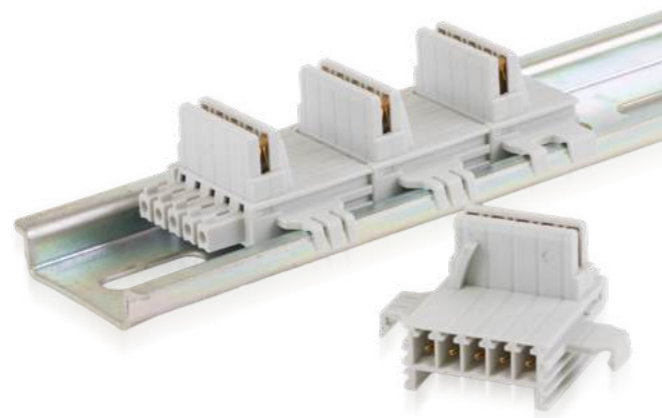
3.81mm			BST-111-05			BST-112-05			BST-120-05		
Technical Data	UL	IEC									
Rated voltage	150V	320V									
Rated current	8A	14A									
Number of Positions			05P			05P			05P		
Thickness of applied enclosure			17.5 mm			22.5 mm			6.2 mm		
BST-111-05			17.5 mm			22.5 mm			6.2 mm		
BST-112-05			22.5 mm			6.2 mm					
BST-120-05			6.2 mm								

3.81mm			BST-220-05		
Technical Data	UL	IEC			
Rated voltage	150V	320V			
Rated current	8A	14A			
Number of Positions			05P		
Thickness of applied enclosure			6.2 mm		
BST-220-05			6.2 mm		

5.08mm			0228-21XX			0228-22XX			0228-23XX		
Technical Data	UL	IEC									
Rated voltage	300V	320V									
Rated current	8A	10A									
Solid (AWG/mm²)	28~16	0.2~1.5									
Flexible (AWG/mm²)	28~16	0.2~1.5									
Rated impulse voltage		4KV									
Wire strip length	8~9mm										
Number of Positions			04~40P			04~40P			04~40P		

9.00mm			0171-10XX			0171-11XX			0171-60XX		
Technical Data	UL	IEC									
Number of Positions			01~04P			01~04P			01~04P		
Rated voltage	300V	320V									
Rated current	8A	14A									
Solid (AWG/mm²)	28~16	0.2~1.5									
Flexible (AWG/mm²)	28~16	0.2~1.5									
Rated impulse voltage		4KV									
Wire strip length	7~8mm										
Number of Positions			01~04P			01~04P			01~04P		
0171-10XX			01~04P			01~04P			01~04P		
0171-11XX			01~04P			01~04P			01~04P		
0171-60XX			01~04P			01~04P			01~04P		

12.50mm			0171-20XX			0171-21XX		
Technical Data	UL	IEC						
Rated voltage	300V	320V						
Rated current	15A	20A						
Solid (AWG/mm²)	24~12	0.2~2.5						
Flexible (AWG/mm²)	24~12	0.2~2.5						
Rated impulse voltage		4KV						
Wire strip length	9~10mm							
Number of Positions			02~08P			02~08P		
0171-20XX			02~08P			02~08P		
0171-21XX			02~08P			02~08P		



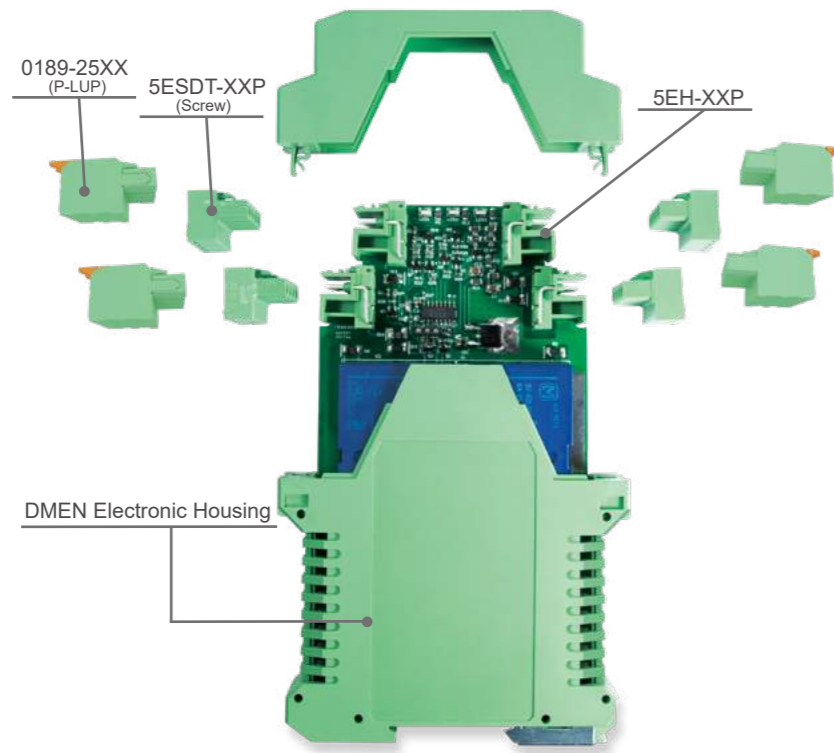
5.00mm		5ES-2PL	5ES-3PL	5ES-4PL	5ES-2PR	5ES-3PR	5ES-4PR
Technical Data	UL IEC						
Rated voltage	300V 400V						
Rated current	10A 24A						
Solid (AWG/mm ²)	22~14 0.2~2.5						
Flexible (AWG/mm ²)	22~14 0.2~2.5						
Rated impulse voltage	2kV 4kV						
Torque (N·m)	0.4~0.5						
Screw	M2.5						
Wire strip length	7~8mm						
Number of Positions							
5ES-2PL	02P						
5ES-2PR							
5ES-3PL	03P						
5ES-3PR							
5ES-4PL	04P						
5ES-4PR							

5.00mm		5EH-2PL 5EH-2PLL	5EH-3PL 5EH-3PLL	5EH-4PL 5EH-4PLL	5EH-2PR 5EH-2PRL	5EH-3PR 5EH-3PRL	5EH-4PR 5EH-4PRL	5ESDT-XXP
Technical Data	UL IEC							
Rated voltage	300V 630V							
Rated current	15A 18A							
Rated impulse voltage	4kV							
Number of Positions								
5EH-2PL	02P							
5EH-2PR								
5EH-3PL	03P							
5EH-3PR								
5EH-4PL	04P							
5EH-4PR								
Accessories								
EHDK1	P66							
EHDK1L	P66							Refer to P.51

5.00mm		0189-202PL	0189-203PL	0189-204PL	0189-202PR	0189-203PR	0189-204PR	5.00mm
Technical Data	UL IEC							
Rated voltage	300V 320V							
Rated current	20A 24A							
Solid (AWG/mm ²)	24~12 0.2~2.5							
Flexible (AWG/mm ²)	24~12 0.2~4							
Rated impulse voltage	4kV							
Wire strip length	10~11mm							
Number of Positions								
0189-202PL	02P							
0189-202PR								
0189-212PL								
0189-212PR								
0189-203PL	03P							
0189-203PR								
0189-213PL								
0189-213PR								
0189-204PL	04P							
0189-204PR								
0189-214PL								
0189-214PR								

5.00mm		0189-212PL	0189-213PL	0189-214PL	0189-212PR	0189-213PR	0189-214PR	0189-25XX
Technical Data	UL IEC							
Rated voltage	300V 1000V							
Rated current	15A 18A							
Solid (AWG/mm ²)	30~12 0.2~4							
Flexible (AWG/mm ²)	30~12 0.2~2.5							
Rated impulse voltage	4kV							
Wire strip length	11~12mm							
Number of Positions								
0189-25XX	02~6P							

7.50mm		7ES-3PL	7ES-3PR
Technical Data	UL	IEC	
Rated voltage	300V	630V	
Rated current	20A	24A	
Solid (AWG/mm ²)	30~12	0.2~2.5	
Flexible (AWG/mm ²)	30~12	0.2~2.5	
Rated impulse voltage		6KV	
Torque (N·m)	0.4~0.5		
Screw	M2.5		
Wire strip length	7~8mm		
Number of Positions		03P	



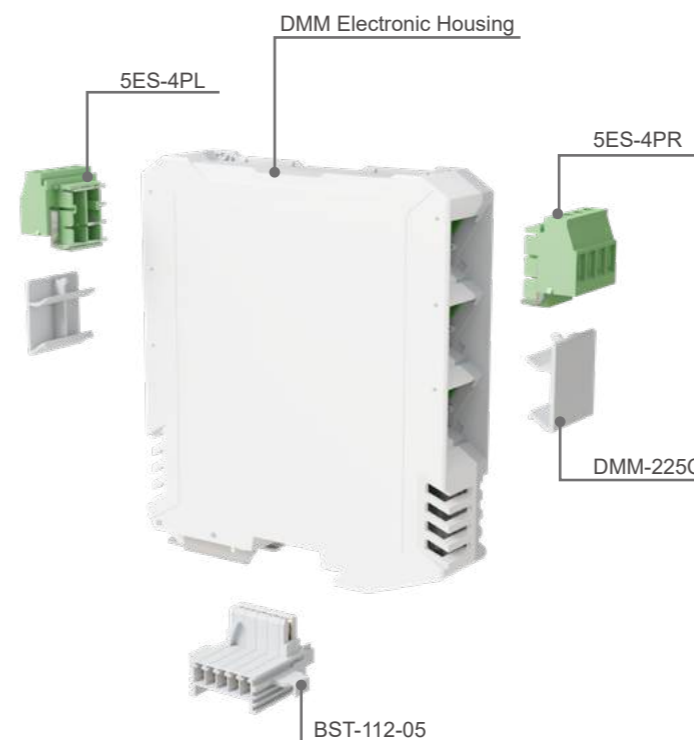
5ES and 5EH series terminal blocks are designed specifically for electronic housing DMEN type.

5ES series are PCB type terminal blocks, and is adopting elevated wire cage with screw connection.

5EH series are headers(sockets) which are compatible with 5ESDT plug (P. 51).

Please pay attention to identify left and right side features when using this product range. Please visit www.dinkle.com for more information on electronic housing DMEN type.

Specification	DMM-2251-22	DMM-2252-22	
Width	22.5mm		
Accessories			
PCB Terminal block	5ES-4PL / 5ES-4PR		
Terminal block/Plug	2ESDT-04P		
Terminal block/Socket	5EH-4PL / 5EH-4PR		
Earthing Plug	0073-B001		
Blind cover	DMM-225C / DMM-TBUSC		
Bus connectors	BST-112-05		
			Used for 5ES-4PL / 5ES-4PR
			Used for 5EH-4PL / 5EH-4PR
			Used for 5ES-4PL / 5ES-4PR
			Used for 5EH-4PL / 5EH-4PR



DEG / DMEN

Electronic Housing

- Electronic housings are supplied with high effective components, which is suitable for system integration.

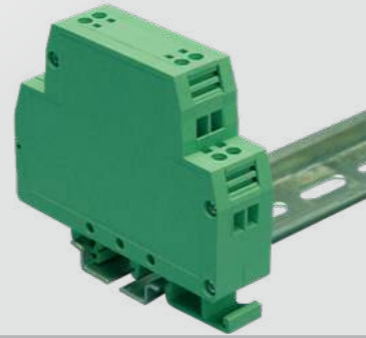
Various dimensions for customers' options:

Width of DEG series: 20mm, 22.5mm, 25mm, 30mm, 40mm, 45mm

Width of DMEN series: 12.5mm, 17.5mm, 22.5mm, 35mm

Width of DMM series: 22.5mm

- All the electronic housings are produced by engineering insulation PA materials which feature low flammability and qualified insulation levels that meet UL and IEC standards.



Specification		DEG-02P	DEG-04P
Rated voltage	500V		
Rated current	10A		
Solid (AWG/mm ²)	24~12		
Torque (N-m)	0.4		
Width			
DEG-02P	20mm		
DEG-04P	30mm		
Accessories			
Terminal block/Plug	DEG-TB2P		

Specification		DEGM-03P	DEGM-06P
Technical Data	UL IEC		
Rated voltage	300V 500V		
Rated current	12A 16A		
Solid (AWG/mm ²)	24~12 0.2~2.5		
Flexible (AWG/mm ²)	24~12 0.2~2.5		
Rated impulse voltage	4KV		
Torque (N-m)	0.4		
Width			
DEGM-03P	25mm		
DEGM-06P	40mm		
Accessories			
Terminal block/Plug	DEGM-TB3P		

Specification		DEGM-12P	
Rated voltage	250V		
Rated current	12A		
Width			
DEGM-12P	25mm		
Accessories			
Terminal block/Plug	2EHDR-4375		
Terminal block/Socket	2ESDV-12P		

Specification		DEGH-03P	DEGH-06P
Rated voltage	500V		
Rated current	10A		
Solid (AWG/mm ²)	24~12		
Torque (N-m)	0.4		
Width			
DEGH-03P	25mm		
DEGH-06P	40mm		
Accessories			
Terminal block/Plug	DEGH-TB3P		

Specification		DMUG-22	DMUG-45		
Rated voltage	250A				
Rated current	15A				
Width					
DMUG-22	22.5mm				
DMUG-45	40mm				
Accessories					
Terminal block/Plug	5EHDR-06P/08P				
Terminal block/Socket	5ESDV-06P/08P				

Specification		DMEN-S2P	DMEN-S3P	DMEN-S4P
Rated voltage	250V			
Rated current	12A			
Solid (AWG/mm ²)	28~12			
Torque (N-m)	0.4			
Width				
DMEN-S2P	12.5mm			
DMEN-S3P	17.5mm			
DMEN-S4P	22.5mm			
DMEN-T2P	12.5mm			
DMEN-T3P	17.5mm			
DMEN-T4P	22.5mm			
DMES-T2P	12.5mm			
DEGM-12P	25mm			
Accessories				
Earthing Plug	0073-B001			

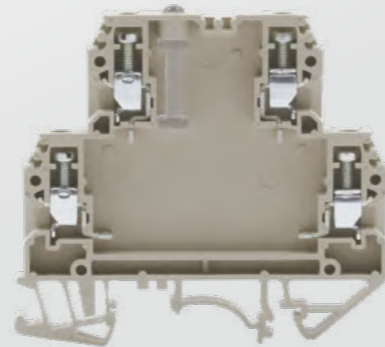
Specification		DMEN-T2P	DMEN-T3P	DMEN-T4P	DMES-T2P				


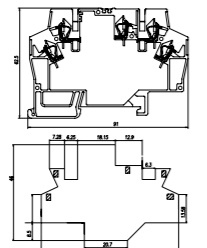
*NO Earthing Plug


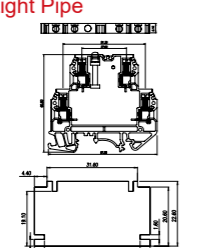
DMER

Component Housing

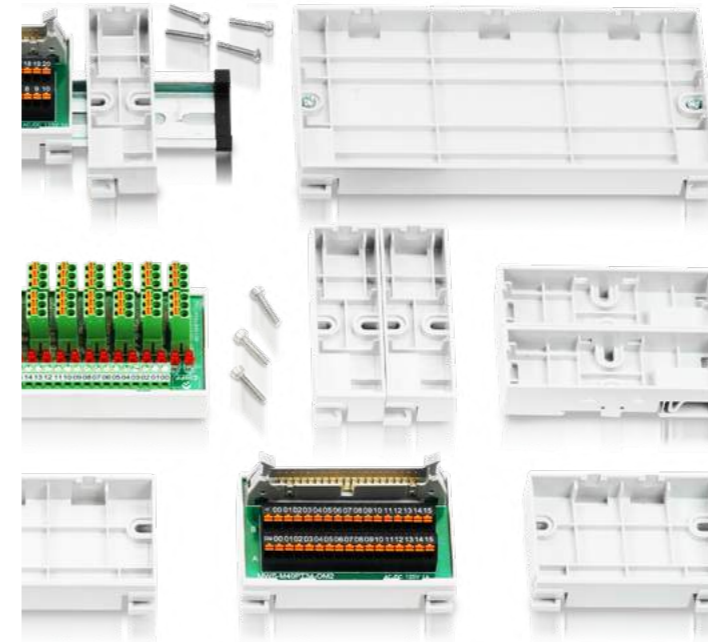
- DMER series housing is designed for DIN Rail installation with an external thickness of 6.0~6.2 mm, internal thickness at 4.1~5.2mm and large internal space which is suitable for various components assembly requirement.
- The housings feature a compact structure which allows large PCB to be installed in the limited space
- UL 94-V0 PA material for exceptional insulation and protection in application.
- Screw connection, spring clamp connection and push-in connection terminal block are available for options.



Specification		DMER-10	
Width	6		
Accessories	DMER-10C		
End cover	DMER-10C		

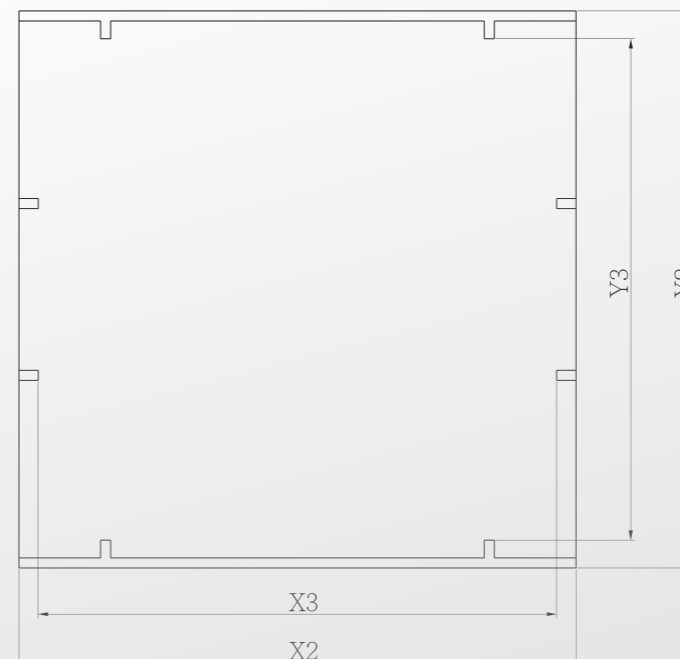
Specification		DMER-41	
Technical Data	UL		
Rated voltage	300V		
Rated current	20A		
Solid (AWG/mm ²)	24~12		
Flexible (AWG/mm ²)	24~12		
Torque (N-m)	0.4		
Width	6.1		
Accessories	DMERC		
End cover	DMERC		

PCB Carrier DIN Rail/ Panel Mounting



Product advantages

- Flammability rating: UL94-V2
- Available in three commonly used widths, one-piece molding, beautiful and convenient, with strong stability.
- Each set of module racks is designed with reserved holes for panel locking, and can be used regardless of track installation without plate fixation.
- The bottom track slot is suitable for TS-35 and TS-35/15 standard DIN tracks.
- The 0040-03 series has a width of 107mm. The specially designed side wall can be installed with a label card slot, which is suitable for DINKLE TM-R110 signs.



Part No.	PCB Dimensions		PCB effective dimensions	
	Y2 (mm)	X2 (mm)	Y3 (mm)	X3 (mm)
0040-0108E	42	35	33.9	34
0040-0105E	42	46.8	32.4	45.8
0040-0101E	42	57.5	33.9	56.5
0040-0106E	42	64.8	33.9	63.8
0040-0107E	42	72.8	33.9	71.8
0040-0102E	42	108	33.9	107
0040-0103E	42	140	33.9	139
0040-0104E	42	208	33.9	207
0040-0212E	72	22	64.9	17
0040-0213E	72	32	64.9	27
0040-0214E	72	42	64.9	37
0040-0215E	72	52	64.9	47
0040-0216E	72	62	64.9	57
0040-0217E	72	72	64.9	67
0040-0218E	72	82	64.9	77
0040-0219E	72	92	64.9	87
0040-0220E	72	102	64.9	97
0040-0221E	72	112	64.9	107
0040-0222E	72	122	64.9	117
0040-0223E	72	152	64.9	147
0040-0224E	72	172	64.9	167
0040-0225E	72	202	64.9	197
0040-0226E	72	222	64.9	217
0040-0227E	72	252	64.9	247
0040-0228E	72	272	64.9	267
0040-0229E	72	302	64.9	297
0040-0301E	107	25	99	19
0040-0302E	107	35	99	29
0040-0303E	107	50	99	44
0040-0305E	107	75	99	69
0040-0308E	107	100	99	94
0040-0311E	107	125	99	119
0040-0314E	107	150	99	144
0040-0316E	107	175	99	169
0040-0318E	107	200	99	194
0040-0320E	107	225	99	219
0040-0322E	107	250	99	244
0040-0324E	107	275	99	269
0040-0326E	107	300	99	294



Part No.	PCB Dimensions		PCB Carrier Size			Unit : mm	Corresponding KMR Carrier
	Width	Length	Width	Length	Hight		
0040-0101E	42	57.5	47.9	60.5	17.9	22.4	KMSR-0047~KMSR-0057
0040-0102E	42	108	47.9	111.1	17.9	22.4	KMSR-0072~KMSR-0108
0040-0103E	42	140	47.9	143.1	17.9	22.4	KMSR-0109~KMSR-0140
0040-0104E	42	208	47.9	211.2	17.9	22.4	KMSR-0141~KMSR-0208
0040-0105E	42	46.8	47.9	49.8	17.9	22.4	KMSR-0036~KMSR-0046
0040-0106E	42	64.8	47.9	68	17.9	22.4	KMSR-0058~KMSR-0064
0040-0107E	42	72.8	47.9	76	17.9	22.4	KMSR-0065~KMSR-0072
0040-0108E	42	35	47.9	38.2	17.9	22.4	KMSR-0031~KMSR-0035



Part No.	PCB Dimensions		PCB Carrier Size			Unit : mm	Corresponding KMR Carrier
	Width	Length	Width	Length	Hight		
0040-0212E	72	22	77.9	25.2	17.9	22.4	
0040-0213E	72	32	77.9	35.2	17.9	22.4	
0040-0214E	72	42	77.9	45.2	17.9	22.4	KMR-0038~KMR-0042
0040-0215E	72	52	77.9	55.2	17.9	22.4	KMR-0043~KMR-0052
0040-0216E	72	62	77.9	65.2	17.9	22.4	KMR-0053~KMR-0062
0040-0217E	72	72	77.9	75.2	17.9	22.4	KMR-0063~KMR-0072
0040-0218E	72	82	77.9	85.2	17.9	22.4	KMR-0073~KMR-0082
0040-0219E	72	92	77.9	95.2	17.9	22.4	KMR-0083~KMR-0092
0040-0220E	72	102	77.9	105.2	17.9	22.4	KMR-0093~KMR-0102
0040-0221E	72	112	77.9	115.2	17.9	22.4	KMR-0103~KMR-0112
0040-0222E	72	122	77.9	125.2	17.9	22.4	KMR-0113~KMR-0122
0040-0223E	72	152	77.9	155.2	17.9	22.4	KMR-0123~KMR-0152
0040-0224E	72	172	77.9	175.2	17.9	22.4	KMR-0153~KMR-0172
0040-0225E	72	202	77.9	205.2	17.9	22.4	KMR-0173~KMR-0202
0040-0226E	72	222	77.9	225.2	17.9	22.4	KMR-0203~KMR-0222
0040-0227E	72	252	77.9	255.2	17.9	22.4	KMR-0223~KMR-0252
0040-0228E	72	272	77.9	275.2	17.9	22.4	KMR-0253~KMR-0272
0040-0229E	72	302	77.9	305.2	17.9	22.4	KMR-0273~KMR-0302



Part No.	PCB Dimensions		PCB Carrier Size			Unit : mm	Corresponding KMR Carrier
	Width	Length	Width	Length	Hight		
0040-0301E	107	25	115	28.2	17.9	22.4	
0040-0302E	107	35	115	38.2	17.9	22.4	
0040-0303E	107	50	115	53.2	17.9	22.4	KMLR-0041~KMLR-0050
0040-0305E	107	75	115	78.2	17.9	22.4	KMLR-0051~KMLR-0075
0040-0308E	107	100	115	103.2	17.9	22.4	KMLR-0076~KMLR-0100
0040-0311E	107	125	115	128.2	17.9	22.4	KMLR-0101~KMLR-0125
0040-0314E	107	150	115	153.2	17.9	22.4	KMLR-0126~KMLR-0150
0040-0316E	107	175	115	178.2	17.9	22.4	KMLR-0151~KMLR-0175
0040-0318E	107	200	115	203.2	17.9	22.4	KMLR-0176~KMLR-0200
0040-0320E	107	225	115	228.2	17.9	22.4	KMLR-0201~KMLR-0225
0040-0322E	107	250	115	253.2	17.9	22.4	KMLR-0226~KMLR-0250
0040-0324E	107	275	115	278.2	17.9	22.4	KMLR-0251~KMLR-0275
0040-0326E	107	300	115	303.2	17.9	22.4	KMLR-0276~KMLR-0300

RYPS



Relay Socket

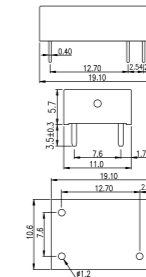
- Dinkle relay sockets allow reliable connection with the PCB relay and offer excellent soldering performance.

- Dinkle relay sockets are compatible with various brands of PCB relay in the market

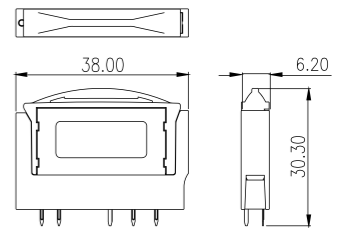
Specification

Rated voltage	250V
Rated current	10A

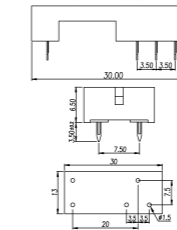
RYPSA-04N



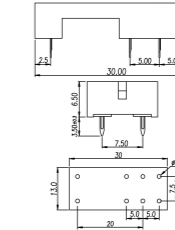
RYPSM-05F



RYPS-05N



RYPS-08N



Compatible models

RYPSA-04N	
OMRON	OJE-SS-124HMF
RYPSM-05F	
Hongfa	HF41F/024-ZS
	HF41F/060-ZS
RYPS-05N	
OMRON	G2RL-1-HA-DC12
TE Connectivity	RT214012
	RTD14005
RYPS-08N	
OMRON	G2R-1A-E-DC24
	G2RN5112M

KM



PCB Carrier

- KMRX series PCB carriers offer various dimensions that can accommodate PCB width of 42mm, 72mm and 107mm. The length of the carrier can be cut according to customer's requirement.

- KMRX PCB carrier set includes 4 screws for assembly.

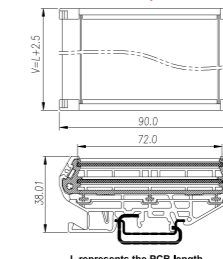
- KMRT and KMRF designs offer large PCB assembly area, which is suitable for accommodating double PCB of width 107mm.

- Dinkle PCB carriers have been widely applied in system integration and interface integration applications.

KMRT-XXXX

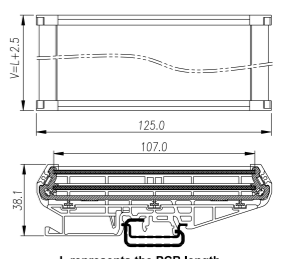


*PCB width:72mm(Bi-level)



L represents the PCB length.

KMRF-XXXX

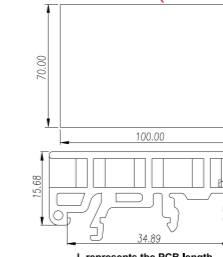


L represents the PCB length.

KMRH-K175

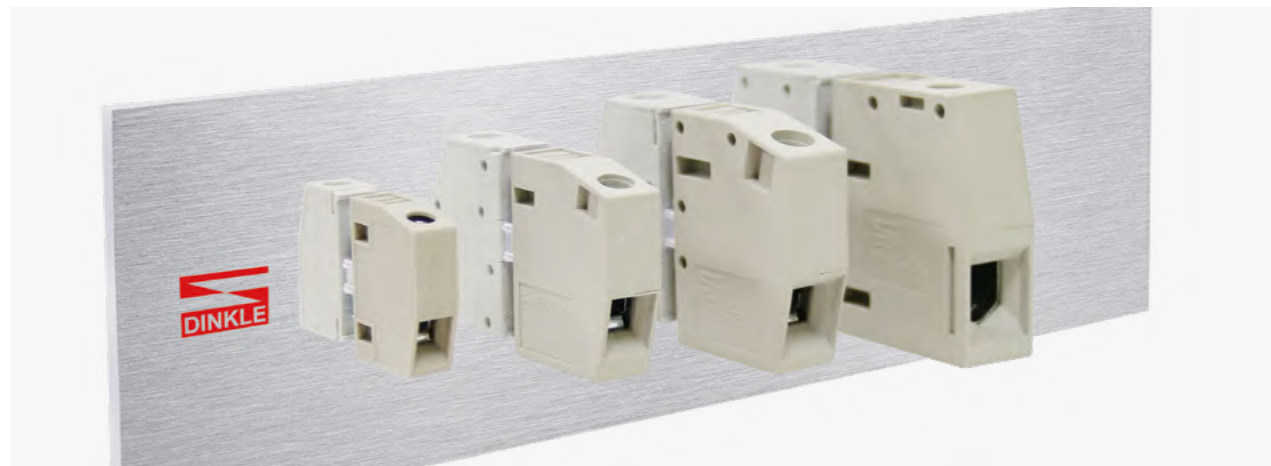


*PCB width:107mm(Bi-level)



L represents the PCB length.

Panel Feed-through Terminal Blocks





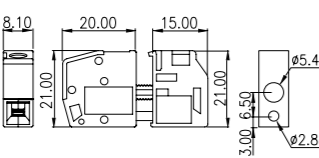
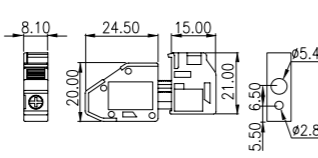
Solutions for many industrial applications: for wall thicknesses from 1 mm to 6 mm, currents up to 230A, voltages up to 630V (IEC).




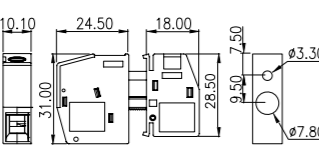
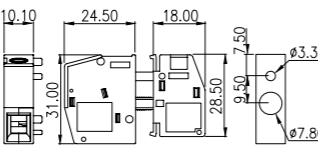
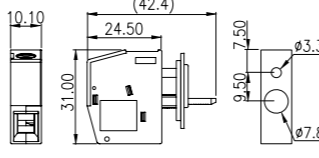
Cross section: 4~95mm²




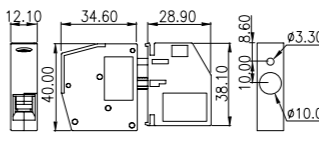
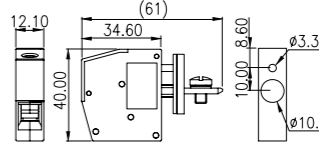
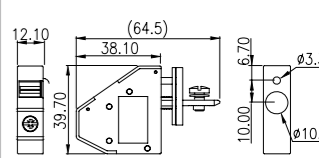
UL Rated: 300V / 30A ~ 600V / 230A


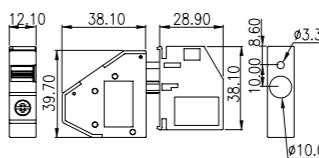
IEC Rated: 400V / 41A ~ 800V / 150A



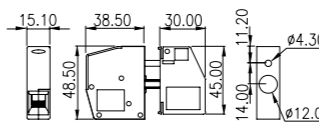
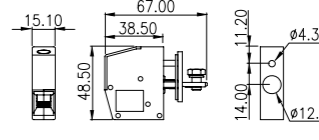
PPAC series terminal blocks are particularly useful in the field of telecommunications and power distribution. The product range also supports electrical equipment manufacturers of filters, converters, inverters, transformers, power supplies and industrial batteries.



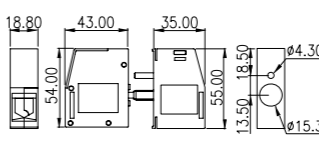
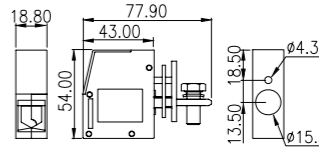
Specification			PPACN-4		PPACNV-4	
Technical Data	UL	IEC				
Rated voltage	300V	400V				
Rated current	30A	41A				
Wire range (AWG/mm ²)	30~10	0.2~6				
Rated impulse voltage		6KV				
Torque (N-m)	0.5~0.6					
Screw	M3					
Wire strip length	9~10mm					
Insulating material	PA					
Outer dimension	T x H x W (mm)					
PPACN-4	8.1 x 21 x 20					
PPACNV-4	8.1 x 21 x 24.5					
Inner dimension	T x H x W (mm)					
PPACN-4	8.1 x 21 x 15					
PPACNV-4	8.1 x 21 x 15					
Marking label	TM44					
Voltage on metal panel:	1.0~2.5mm 400V 2.5~4.0mm 320V					
Voltage on plastic panel:	500V					

Specification			PPACN-10		PPACN-10Z		PPACN-10AS	
Technical Data	UL	IEC						
Rated voltage	300V	400V						
Rated current	65A	76A						
Wire range (AWG/mm ²)	24~6	0.5~16						
Rated impulse voltage		6KV						
Torque (N-m)	1.5~1.7							
Screw	M4							
Wire strip length	10~11mm							
Insulating material	PA							
Outer dimension	T x H x W (mm)							
PPACN-10	10.1 x 31 x 24.5							
PPACN-10Z	10.1 x 31 x 24.5							
PPACN-10AS	10.1 x 31 x 24.5							
Inner dimension	T x H x W (mm)							
PPACN-10	10.1 x 28.5 x 18							
PPACN-10Z	10.1 x 28.5 x 18							
Marking label	TM44							
Voltage on metal panel:	1~2.5mm 500V 2.5~4mm 320V							
Voltage on plastic panel:	500V							

Specification			PPAC-16		PPAC-16AS		PPACV-16AS	
Technical Data	UL	IEC						
Rated voltage	600V	500V						
Rated current	85A	101A						
Wire range (AWG/mm ²)	22~4	0.5~25						
Rated impulse voltage		6KV						
Torque (N-m)	2.5~3.4							
Screw	M5							
Wire strip length	16~17mm							
Insulating material	PA							
Outer dimension	T x H x W (mm)							
PPAC-16	12.1 x 40 x 34.6							
PPAC-16AS	12.1 x 40 x 34.6							
PPACV-16	12.1 x 39.7 x 38.1							
PPACV-16AS	12.1 x 39.7 x 38.1							
Inner dimension	T x H x W (mm)							
PPAC-16	12.1 x 38.1 x 28.9							
PPAC-16AS	12.1 x 26 x 25.4							
PPACV-16	12.1 x 38.1 x 28.9							
PPACV-16AS	10.1 x 25 x 16.9							
Marking label	TM49							
Voltage on Metal panel:	1~2mm 800V 2~3mm 630V 3~6mm 500V							
Voltage on Plastic panel:	800V							

Specification			PPACV-16	
Technical Data	UL	IEC		
Rated voltage	600V			
Rated current				
Wire range (AWG/mm ²)				
Rated impulse voltage				
Torque (N-m)				
Screw				
Wire strip length				
Insulating material				
Outer dimension	T x H x W (mm)			
PPACV-16	12.1 x 38.1 x 28.9			
Inner dimension	T x H x W (mm)			
PPACV-16	12.1 x 38.1 x 28.9			
Marking label	TM49			
Voltage on Metal panel:	1~2mm 800V 2~3mm 630V 3~6mm 500V			
Voltage on Plastic panel:	800V			

Specification			PPAC-25		PPAC-25AS	
Technical Data	UL	IEC				
Rated voltage	600V	800V				
Rated current	115A	125A				
Wire range (AWG/mm ²)	8~2	6~35				
Rated impulse voltage		6KV				
Torque (N-m)	3.4~3.9					
Screw	M5					
Wire strip length	19~20mm					
Insulating material	PA					
Outer dimension	T x H x W (mm)					
PPAC-25	15.1 x 48.5 x 38.5					
PPAC-25AS	15.1 x 48.5 x 38.5					
PPAC-25MAS	15.1 x 71 x 38.5					
Inner dimension	T x H x W (mm)					
PPAC-25	15.1 x 45 x 30					
PPAC-25AS	15.1 x 33.3 x 27.5					
PPAC-25MAS	15.1 x 33.3 x 27.5					
Marking label	TM49					
Voltage on metal panel:	1~5mm 800V 5~6mm 630V					
Voltage on plastic panel:	800V					

Specification			PPAC-50		PPAC-50AS	
Technical Data	UL	IEC				
Rated voltage	600V	800V				
Rated current	150A	150A				
Wire range (AWG/mm ²)	6~1/0	16~50				
Rated impulse voltage		8KV				
Torque (N-m)	5.9~6					
Screw	M6					
Wire strip length	24~25mm					
Insulating material	PA					
Outer dimension	T x H x W (mm)					
PPAC-50	18.8 x 54 x 43					
PPAC-50AS	18.8 x 54 x 43					
PPAC-50M	18.8 x 78 x 43					
Inner dimension	T x H x W (mm)					
PPAC-50	18.8 x 55 x 35					
PPAC-50AS	18.8 x 37 x 33.9					
PPAC-50M	18.8 x 55 x 35					
Marking label	TM49					
Voltage on metal panel:	1~5mm 800V 5~6mm 630V					
Voltage on plastic panel:	800V					

Specification		PPAC-95	PPAC-95MAS
Technical Data	UL IEC		
Rated voltage	600V 630V		
Rated current	230A 232A		
Wire range (AWG/mm ²)	4~4/0 25~95		
Rated impulse voltage	8KV		
Torque (N-m)	14.7~15		
Screw	M8		
Wire strip length	27~28mm		
Insulating material	PA		
Outer dimension	T x H x W (mm)		
PPAC-95	25 x 74 x 50		
PPAC-95MAS	25 x 100 x 50		
Inner dimension	T x H x W (mm)		
PPAC-95	25 x 74 x 45		
PPAC-95MAS	25 x 50 x 40.5		
Marking label	TM49		
Voltage on metal panel: 1~2.5mm 1000V 2.5~5mm 800V 5~6mm 630V			
Voltage on plastic panel: 1000V			

Specification		PPAC-4SS	PPAC-4SSG
Technical Data	UL IEC		
Rated voltage	300V 400V		
Rated current	30A 41A		
Wire range (AWG/mm ²)	30~10 0.2~6		
Rated impulse voltage	6KV		
Torque (N-m)	0.5~0.8		
Screw	M3		
Wire strip length	9~10mm		
Insulating material	PA		
Outer dimension	T x H x W (mm)		
PPAC-4SS	10 x 20.5 x 25.5		
PPAC-4SSG	10 x 20.5 x 25.5		
Voltage on metal panel: 1~3mm 400V Voltage on plastic panel: 1~3mm 500V 3.5~4.0mm 400V			

Specification		PPAC-10SS	PPAC-10SSG
Technical Data	UL IEC		
Rated voltage	300V 630V		
Rated current	65A 57A		
Wire range (AWG/mm ²)	22~6 0.2~10		
Rated impulse voltage	6KV		
Torque (N-m)	1.2~1.5		
Screw	M4		
Wire strip length	11~12		
Insulating material	PA		
Outer dimension	T x H x W (mm)		
PPAC-10SS	10 x 31.6 x 32.15		
PPAC-10SSG	10 x 31.6 x 32.15		
Voltage on thickness: 1~2mm 630V 2.1~3mm 500V 3.1~4mm 400V			

Specification		PPAC-16SS	PPAC-16SSG
Technical Data	UL IEC		
Rated voltage	300V 630V		
Rated current	85A 76A		
Wire range (AWG/mm ²)	22~4 0.2~16		
Rated impulse voltage	6KV		
Torque (N-m)	2.7~2.8		
Screw	M5		
Wire strip length	14~15		
Insulating material	PA		
Outer dimension	T x H x W (mm)		
PPAC-16SS	12.1 x 41.8 x 41.9		
PPAC-16SSG	12.1 x 41.8 x 41.9		
Voltage on thickness: 1~2mm 800V 2.1~4mm 630V			

Specification		PPAC-25SS
Technical Data	UL IEC	
Rated voltage	300V 800V	
Rated current	85A 101A	
Wire range (AWG/mm ²)	22~4 0.2~25	
Rated impulse voltage	8KV	
Torque (N-m)	2~2.5	
Screw	M5	
Wire strip length	14~15	
Insulating material	PA	
Outer dimension	T x H x W (mm)	
PPAC-4SS	10 x 20.5 x 25.5	
Voltage on thickness: 1~3mm 800V 3.1~5mm 630V		

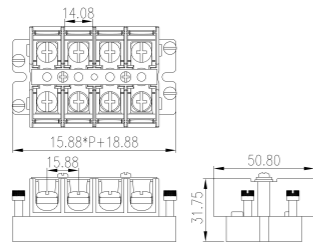
Specification		PPAC-25SS
Technical Data	UL IEC	
Rated voltage	300V 800V	
Rated current	85A 101A	
Wire range (AWG/mm ²)	22~4 0.2~25	
Rated impulse voltage	8KV	
Torque (N-m)	2~2.5	
Screw	M5	
Wire strip length	14~15	
Insulating material	PA	
Outer dimension	T x H x W (mm)	
PPAC-4SS	10 x 20.5 x 25.5	
Voltage on thickness: 1~3mm 800V 3.1~5mm 630V		

Specification		PPAC-25SS
Technical Data	UL IEC	
Rated voltage	300V 800V	
Rated current	85A 101A	
Wire range (AWG/mm ²)	22~4 0.2~25	
Rated impulse voltage	8KV	
Torque (N-m)	2~2.5	
Screw	M5	
Wire strip length	14~15	
Insulating material	PA	
Outer dimension	T x H x W (mm)	
PPAC-4SS	10 x 20.5 x 25.5	
Voltage on thickness: 1~3mm 800V 3.1~5mm 630V		

Specification		PPAC-25SS
Technical Data	UL IEC	
Rated voltage	300V 800V	
Rated current	85A 101A	
Wire range (AWG/mm ²)	22~4 0.2~25	
Rated impulse voltage	8KV	
Torque (N-m)	2~2.5	
Screw	M5	
Wire strip length	14~15	
Insulating material	PA	
Outer dimension	T x H x W (mm)	
PPAC-4SS	10 x 20.5 x 25.5	
Voltage on thickness: 1~3mm 800V 3.1~5mm 630V		

15.88mm**0113-22XX**

Technical Data	UL	IEC
Rated voltage	300V	800V
Rated current	60A	76A
Wire range (AWG/mm ²)	22~6 (O&Y)	0.34~16 (O&Y)
Rated impulse voltage		8kV
Torque (N·m)	2~2.5	
Wire strip length	13~14	
Number of Positions		
02~08P		



Barrier type terminal blocks

Barrier type terminal blocks are screw connection electrical connectors that connect multiple circuits to one another. Clamp the wire to the metal part with the locking screw. Each wiring structure is separated by the insulation barrier.

Barrier terminal blocks are designed for electrical applications and can be fitted with a transparent safety cover. When using, it should be noted that the wires do not exceed the barriers, which can prevent electrical short-circuits between positions on the same contact and between adjacent components.

The design generally is supplied in 5 categories: double-barrier, triple-barrier, triple-barrier in double levels, pluggable type and panel feed-through. Each type of barrier is available in a variety of industry standard centerline spacings, which allowing you to choose from high density to high current applications. Double and triple barriers are very similar in that they can both be used in PCB or panel mount applications.



Double-barrier, single row



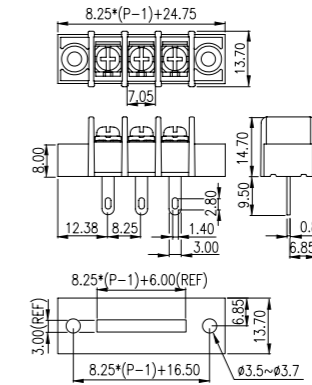
The double barrier in single row terminal blocks offer pitches from 7.62mm~16mm and options of various terminal pin designs that are suitable for voltage ratings 150V/15A~600V/65A.

The product range provide a wide variety of screw, terminal and mounting options, fitting a multitude of applications.

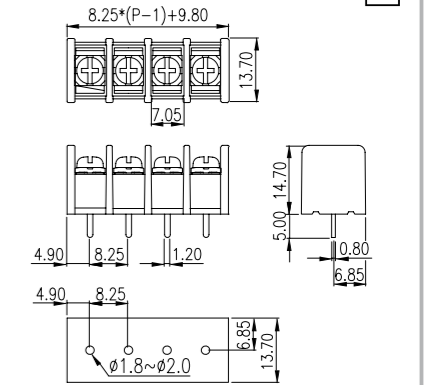
8.25mm

Technical Data		UL	
UL use group	B/C	D	
Rated voltage	300V/150V	300V	
Rated current	20A	10A	
Wire range (AWG)	22~12		
Withstand voltage	AC2000V / 1 minute		
Insulation resistance	≥500MΩ / DC 500V		
Housing	PA66, UL94-V0, black		
Terminal	Brass, Tin plated		
Screw	M3, Steel, Ni plated		
Torque value (N-m)	0.5~1.4		
Operating temperature	-40°C ~ +120°C		
Wiring type	FW2		
Number of Positions			
DT-35-A02W-XX	02~31P		
DT-35-B01W-XX	02~33P		

DT-35-A02W-XX



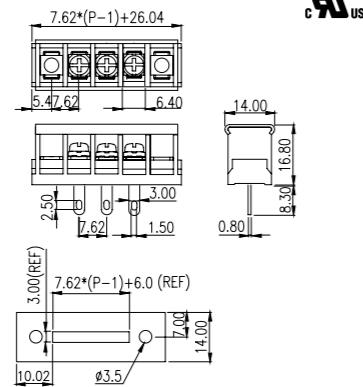
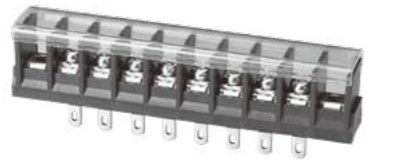
DT-35-B01W-XX



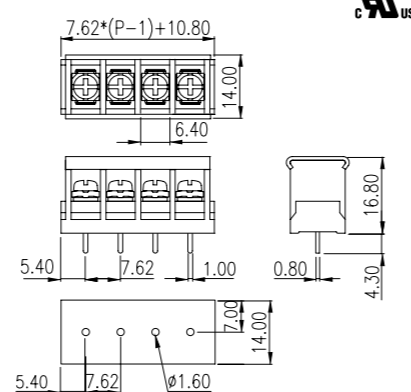
7.62mm

Technical Data		UL	
UL use group	B	D	
Rated voltage	300V	300V	
Rated current	15A	10A	
Wire range (AWG)	24~14		
Withstand voltage	AC2000V / 1 minute		
Insulation resistance	≥1000MΩ / DC 500V		
Housing	PBT, UL94-V0, black		
Terminal	Brass, Tin plated		
Screw	M3, Steel, Ni plated		
Torque value (N-m)	0.8		
Operating temperature	-40°C ~ +130°C		
Wiring type	FW2		
Number of Positions			
DT-2G-A02W-XX	02~26P		
DT-2G-B01W-XX	02~28P		
DT-2G-B14W-XX			

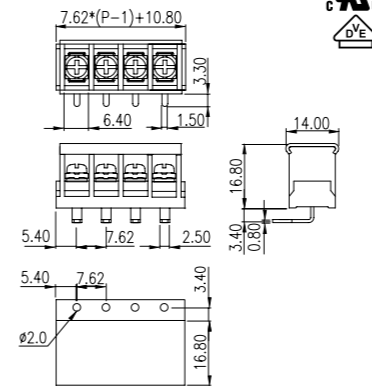
DT-2G-A02W-XX



DT-2G-B01W-XX



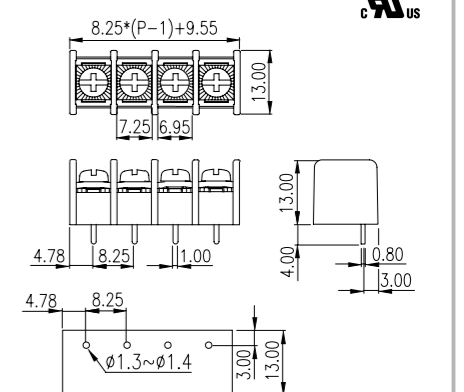
DT-2G-B14W-XX



8.25mm

Technical Data		UL	
UL use group	B / C	D	
Rated voltage	300V / 150V	300V	
Rated current	20A	10A	
Wire range (AWG)	22~12		
Withstand voltage	AC2000V / 1 minute		
Insulation resistance	≥500MΩ / DC 500V		
Housing	PA66, UL94-V0, black		
Terminal	Brass, Tin plated		
Screw	#6-32, Steel, Ni plated		
Torque value (N-m)	1		
Operating temperature	-40°C ~ +105°C		
Wiring type	FW2		
Number of Positions			
02~30P			

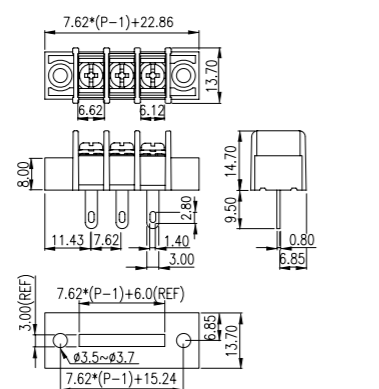
DT-31-B01W-XX



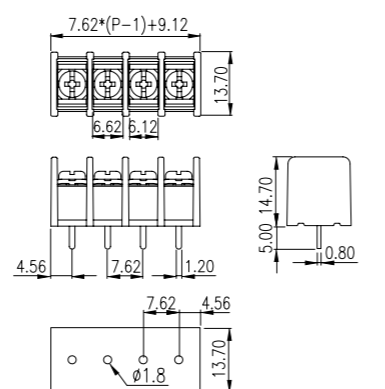
7.62mm

Technical Data		UL	
UL use group	B / C	D	
Rated voltage	300V / 150V	300V	
Rated current	15A	15A	
Wire range (AWG)	22~14		
Withstand voltage	AC2000V / 1 minute		
Insulation resistance	≥500MΩ / DC 500V		
Housing	PA66, UL94-V0, black		
Terminal	Brass, Tin plated		
Screw	M3, Steel, Ni plated		
Torque value (N-m)	0.5~1.4		
Operating temperature	-40°C ~ +120°C		
Wiring type	FW2		
Number of Positions			
DT-25-A02W-XX	02~31P		
DT-25-B01W-XX	02~33P		
DT-25-B07W-XX			
DT-25-B14W-XX			

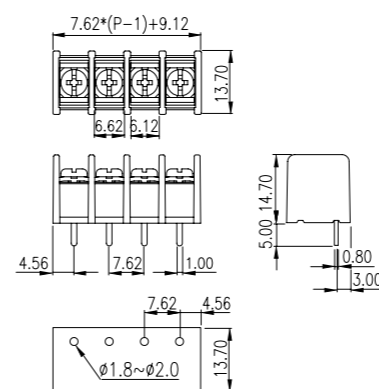
DT-25-A02W-XX



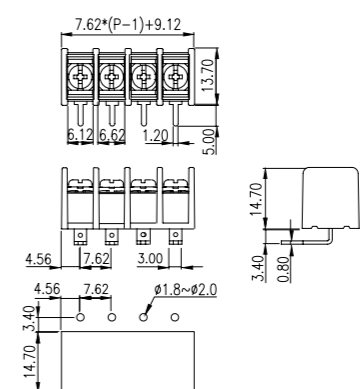
DT-25-B01W-XX



DT-25-B07W-XX



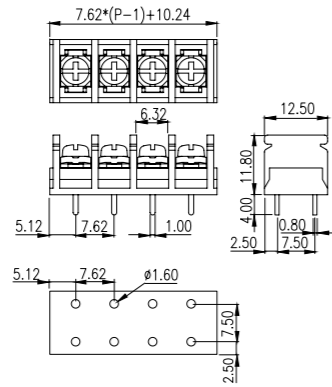
DT-25-B14W-XX



7.62mm

0186-10XX

Technical Data		UL	
UL use group	B	D	
Rated voltage	300V	300V	
Rated current	10A	10A	
Wire range (AWG)	22-16		
Withstand voltage	AC2000V / 1 minute		
Insulation resistance	≥1000MΩ / DC 500V		
Housing	PBT(G15), black		
Terminal	Brass, Tin plated		
Screw	M3, Steel, Ni plated		
Torque value (N-m)	0.8		
Operating temperature	-40°C ~ +130°C		
Wiring type	FW2		

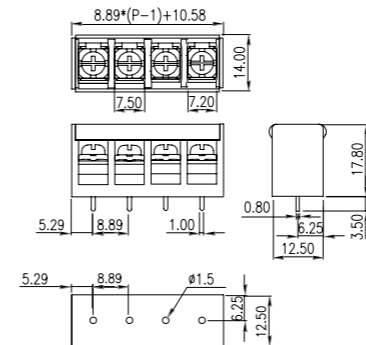


8.89mm

Technical Data		UL	
UL use group	B	D	
Rated voltage	300V	300V	
Rated current	15A	15A	
Wire range (AWG)	22-12		
Withstand voltage	AC2000V / 1 minute		
Insulation resistance	≥1000MΩ / DC 500V		
Housing	PBT, UL94-V0, black		
Terminal	Brass, Tin plated		
Screw	M3.5, Steel, Ni plated		
Torque value (N-m)	0.8-1		
Operating temperature	-40°C ~ +130°C		
Wiring type	FW2		

Number of Positions
02-17P

DT-3C-B01W-XX

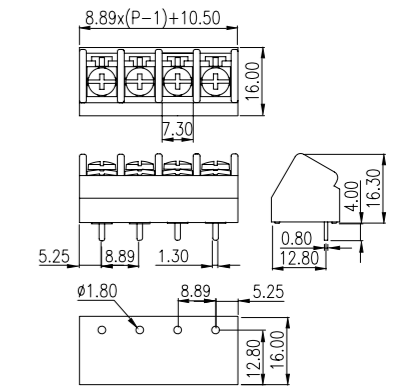
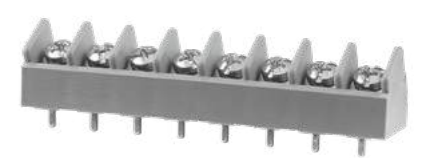


8.89mm

Technical Data		UL	
UL use group	B / C	D	
Rated voltage	300V / 150V	300V	
Rated current	15A	10A	
Wire range (AWG)	22-14		
Withstand voltage	AC2000V / 1 minute		
Insulation resistance	≥1000MΩ / DC 500V		
Housing	PBT, UL94-V0, blue		
Terminal	Brass, Tin plated		
Screw	M3, Brass, Ni plated		
Torque value (N-m)	0.8		
Operating temperature	-40°C ~ +130°C		
Wiring type	FW2		

Number of Positions
02-26P

DT-89-B01W-XX



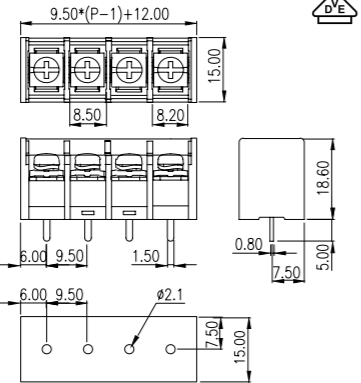
9.5mm

DT-4C-B01W-XX

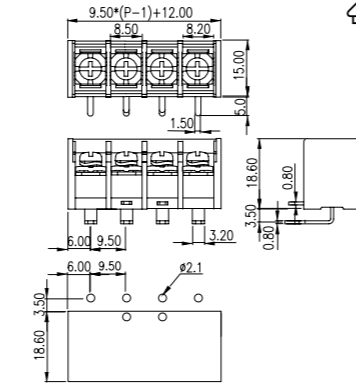
Technical Data		UL	
UL use group	B	D	
Rated voltage	300V	300V	
Rated current	20A	10A	
Wire range (AWG)	22-12		
Withstand voltage	AC2000V / 1 minute		
Insulation resistance	≥1000MΩ / DC 500V		
Housing	PBT, UL94-V0, black		
Terminal	Brass, Tin plated		
Screw	M3.5, Steel, Ni plated		
Torque value (N-m)	1.1		
Operating temperature	-40°C ~ +130°C		
Wiring type	FW2		

Number of Positions
02-25P

* UG:C Class 300V 20A



DT-4C-B14W-XX

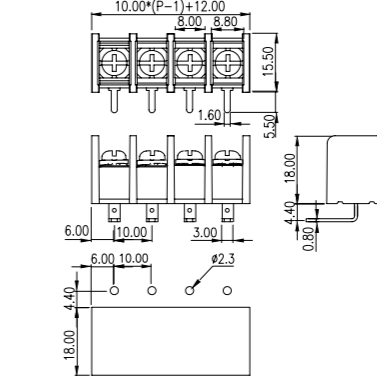


10.00mm

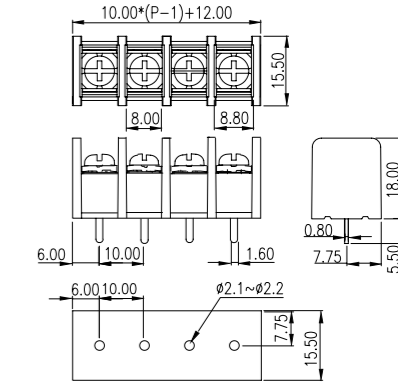
DT-55-B14W-XX

Technical Data		UL	
UL use group	B/C	D	
Rated voltage	300V/150V	300V	
Rated current	25A	10A	
Wire range (AWG)	22-12		
Withstand voltage	AC2000V / 1 minute		
Insulation resistance	≥500MΩ / DC 500V		
Housing	PA66, UL94-V0, black		
Terminal	Brass, Tin plated		
Screw	M3.5, Brass, Ni plated		
Torque value (N-m)	1.8		
Operating temperature	-40°C ~ +120°C		
Wiring type	FW2		

Number of Positions
02-30P



DT-55-B01W-XX

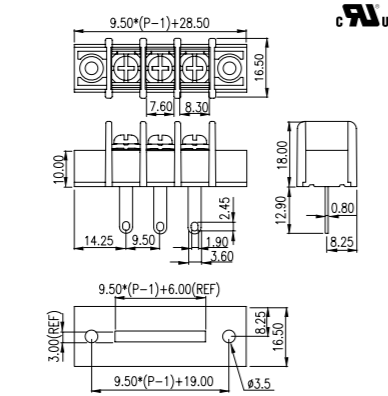


9.5mm

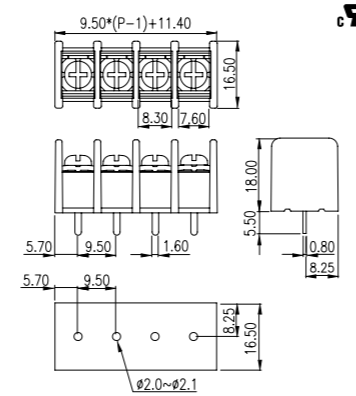
DT-45-A02W-XX

Technical Data		UL	
UL use group	B/C	D	
Rated voltage	300V/150V	300V	
Rated current	25A	10A	
Wire range (AWG)	22-12		
Withstand voltage	AC2000V / 1 minute		
Insulation resistance	≥500MΩ / DC 500V		
Housing	PA66, UL94-V0, black		
Terminal	Brass, Tin plated		
Screw	M3.5, Steel, Ni plated		
Torque value (N-m)	1.4		
Operating temperature	-40°C ~ +120°C		
Wiring type	FW2		

Number of Positions
DT-45-A02W-XX 02-28P
DT-45-B01W-XX 02-30P



DT-45-B01W-XX

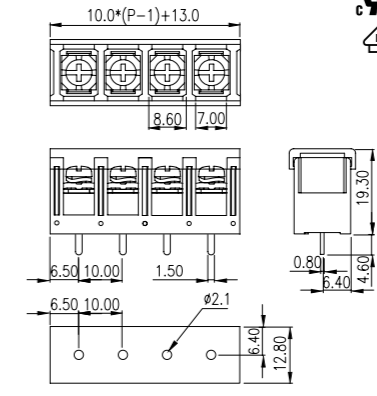


10.00mm

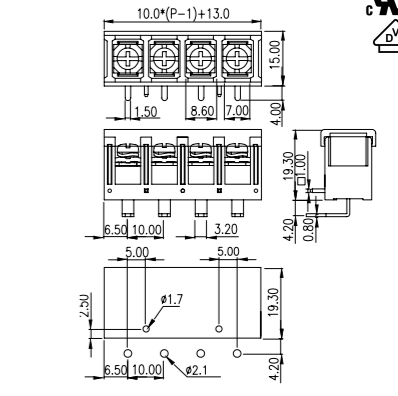
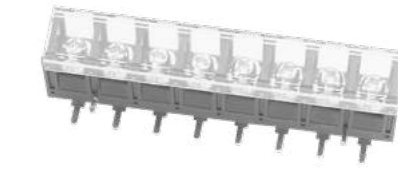
DT-5C-B81W-XX

Technical Data		UL	
UL use group	B/C	D	
Rated voltage	300V	300V	
Rated current	20A	10A	
Wire range (AWG)	22-14		
Withstand voltage	AC2200V / 1 minute		
Insulation resistance	≥1000MΩ / DC 500V		
Housing	PBT, UL94-V0, black		
Terminal	Brass, Tin plated		
Screw	M3.5, Steel, Ni plated		
Torque value (N-m)	1.1		
Operating temperature	-40°C ~ +130°C		
Wiring type	FW2		

Number of Positions
02-30P



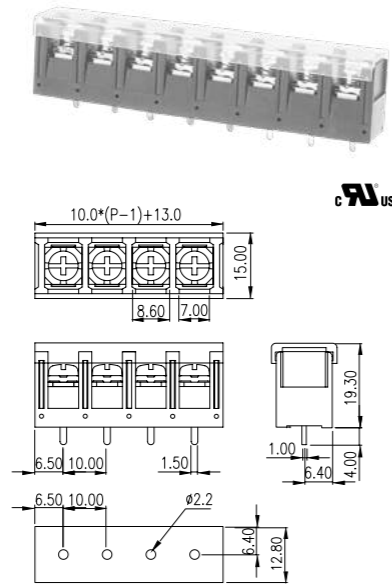
DT-5C-B84W-XX



10.00mm

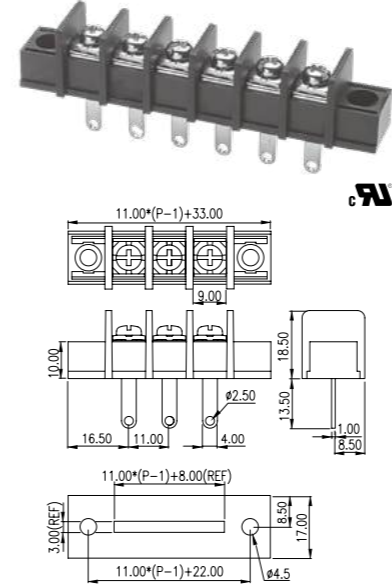
DT-5C-B01W-XX

Technical Data		UL	
UL use group	B/C	D	
Rated voltage	300V	300V	
Rated current	20A	10A	
Wire range (AWG)	22-14		
Withstand voltage	AC2200V / 1 minute		
Insulation resistance	≥1000MΩ / DC 500V		
Housing	PBT, UL94-V0, black		
Terminal	Brass, Tin plated		
Screw	M4, Steel, Ni plated		
Torque value (N-m)	1.1		
Operating temperature	-40°C ~ +130°C		
Wiring type	FW2		
Number of Positions		02-30P	

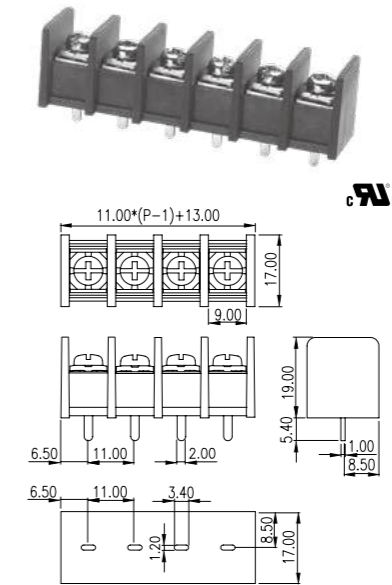


11.00mm

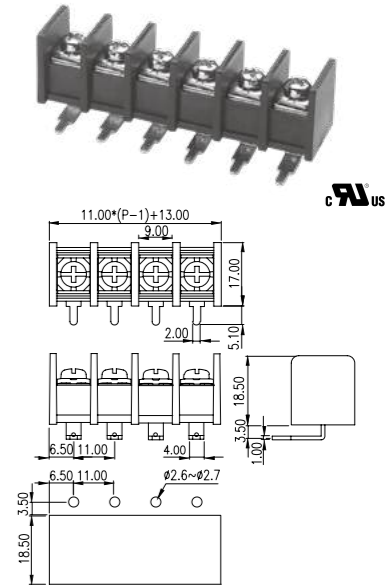
Technical Data		UL	
UL use group	B/C	D	
Rated voltage	300V/150V	300V	
Rated current	25A	10A	
Wire range (AWG)	22-12		
Withstand voltage	AC2000V / 1 minute		
Insulation resistance	≥500MΩ / DC 500V		
Housing	PA66, UL94-V0, black		
Terminal	Brass, Tin plated		
Screw	M4, Steel, Ni plated		
Torque value (N-m)	1.8		
Operating temperature	-40°C ~ +120°C		
Wiring type	FW2		
Number of Positions		02-24P	
DT-65-A02W-XX		02-24P	
DT-65-B01W-XX		02-26P	
DT-65-B14W-XX		02-26P	



DT-65-B01W-XX



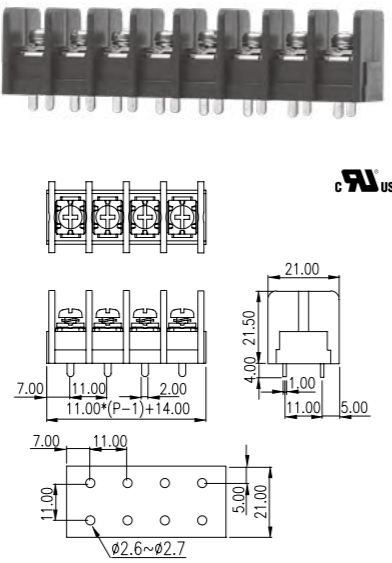
DT-65-B14W-XX



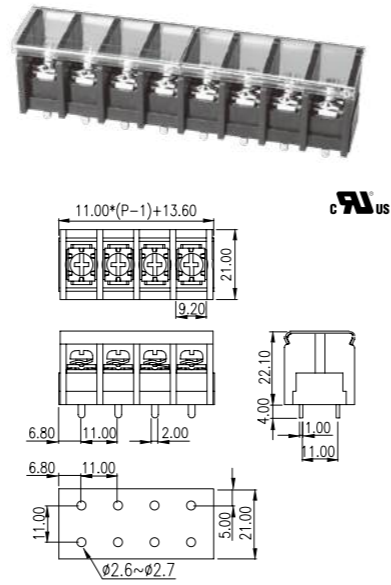
11.00mm

DT-66-B01W-XX

Technical Data		UL	
UL use group	B/C	D	
Rated voltage	300V	600V	
Rated current	40A	5A	
Wire range (AWG)	18-8		
Withstand voltage	AC2000V / 1 minute		
Insulation resistance	≥1000MΩ / DC 500V		
Housing	PBT, UL94-V0, black		
Terminal	Copper, Tin plated		
Screw	M4, Steel, Ni plated		
Torque value (N-m)	1.8		
Operating temperature	-40°C ~ +130°C		
Wiring type	FW2		
Number of Positions		02-26P	
DT-66-B01W-XX		02-26P	
DT-66-C01W-XX		02-24P	



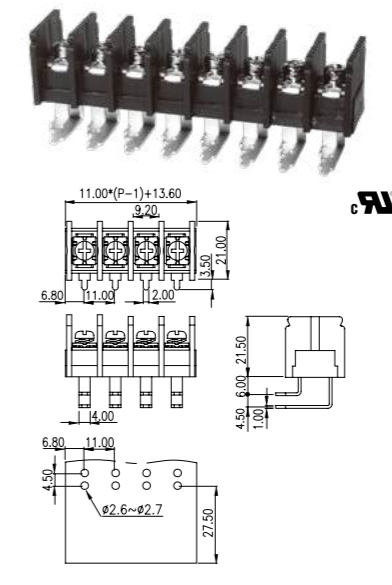
DT-66-C01W-XX



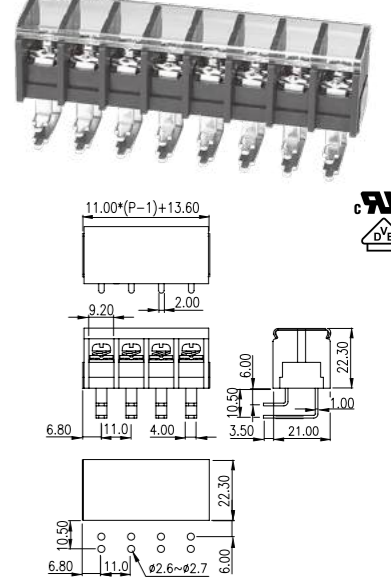
11.00mm

DT-66-B11W-XX

Technical Data		UL	
UL use group	B	D	
Rated voltage	300V	300V	
Rated current	40A	10A	
Wire range (AWG)	18-8		
Withstand voltage	AC2500V / 1 minute		
Insulation resistance	≥1000MΩ / DC 500V		
Housing	PBT, UL94-V0, black		
Terminal	Brass, Tin plated		
Screw	M4, Steel, Ni plated		
Torque value (N-m)	1.8		
Operating temperature	-40°C ~ +130°C		
Wiring type	FW2		
Number of Positions		02-24P	



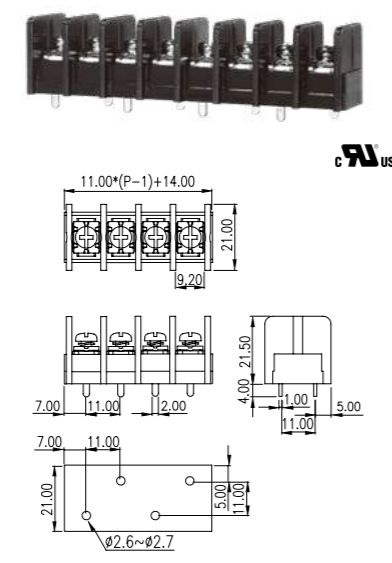
DT-66-C11W-XX



11.00mm

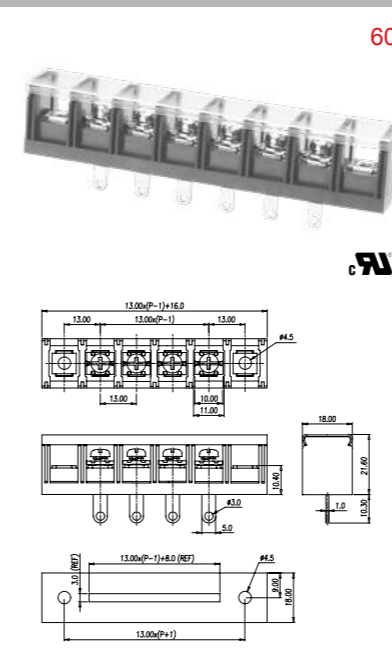
DT-66-B02W-XX

Technical Data		UL	
UL use group	B	C	
Rated voltage	600V	600V	
Rated current	40A	40A	
Wire range (AWG)	18-8		
Withstand voltage	AC2000V / 1 minute		
Insulation resistance	≥1000MΩ / DC 500V		
Housing	PBT, UL94-V0, black		
Terminal	Copper, Tin plated		
Screw	M4, Steel, Ni plated		
Torque value (N-m)	1.8		
Operating temperature	-40°C ~ +130°C		
Wiring type	FW2		
Number of Positions		02-24P	

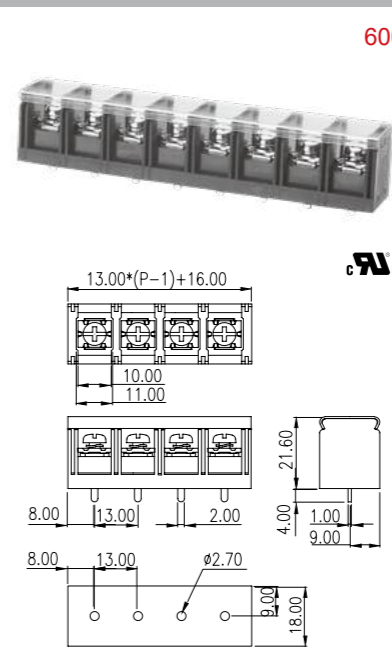


13.00mm

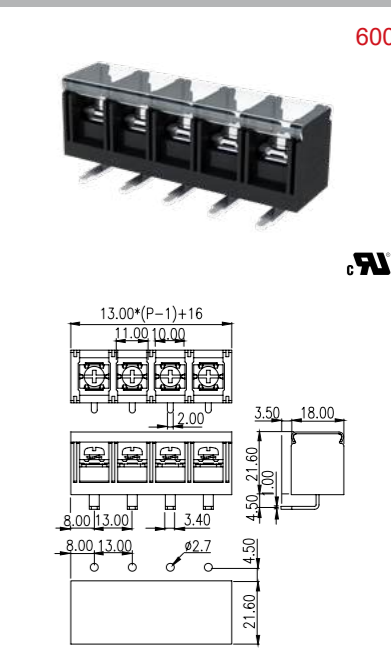
Technical Data		UL	
UL use group	B/C	D	
Rated voltage	600V	600V	
Rated current	40A	5A	
Wire range (AWG)	18-8		
Withstand voltage	AC2500V / 1 minute		
Insulation resistance	≥1000MΩ / DC 500V		
Housing	PBT, UL94-V0, black		
Terminal	Brass, Tin plated		
Screw	M4, Steel, Ni plated		
Torque value (N-m)	1.6		
Operating temperature	-40°C ~ +130°C		
Wiring type	FW2		
Number of Positions		02-12P	
DT-7C-A02W-XX		02-12P	
DT-7C-B01W-XX		02-14P	
DT-7C-B18W-XX		02-14P	



DT-7C-B01W-XX



DT-7C-B18W-XX



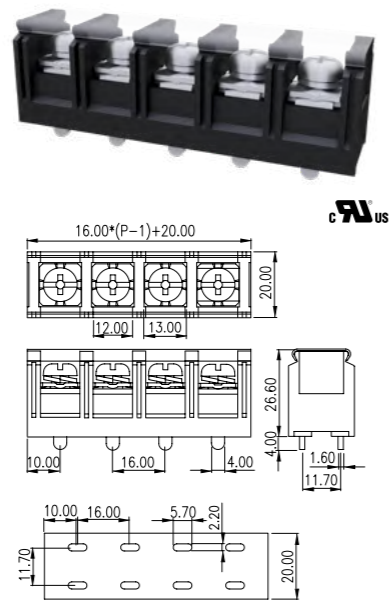
* UG: B&C Class 300V
D Class 600V

16.00mm

0032-11XX

600V

Technical Data		UL	
UL use group	B/C	B/C	B/C
Rated voltage	600V	600V	600V
Rated current	50A	80A	80A
Wire range (AWG)	14~8	6~4	6~4
Withstand voltage	AC3000V / 1 minute		
Insulation resistance	≥1000MΩ / DC 500V		
Housing	PBT, UL94-V0, black		
Terminal	Copper, Tin plated		
Screw	M6, Steel, Ni plated		
Torque value (N-m)	3.1		
Operating temperature	-40°C ~ +130°C		
Wiring type	FW2		
Number of Positions		02~10P	



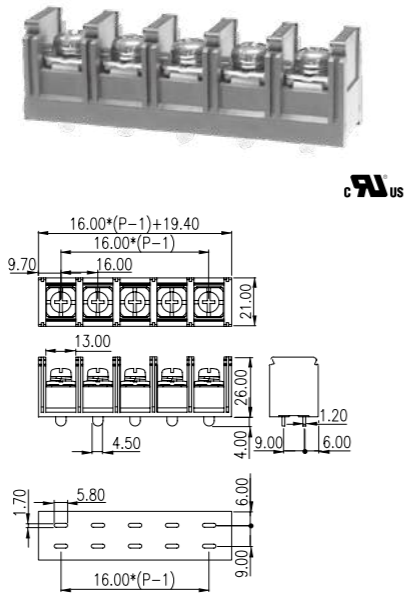
cULus

16.00mm

0166-80XX

600V

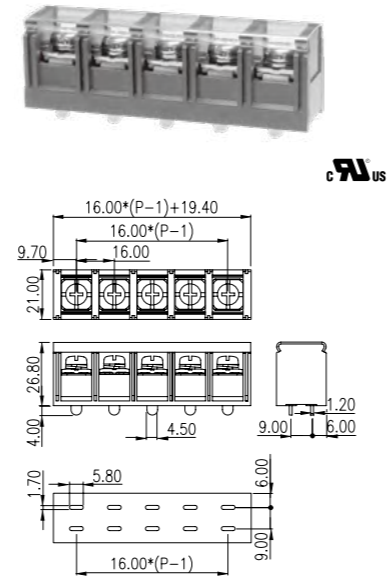
Technical Data		UL	
UL use group	B/C	B/C	B/C
Rated voltage	600V	85A / 600V	85A / 600V
Rated current	65A	100A	100A
Wire range (AWG)	14~6	4(sol)~3(str)	4(sol)~3(str)
Withstand voltage	AC2500V / 1 minute		
Insulation resistance	≥1000MΩ / DC 500V		
Housing	PBT, UL94-V0, black		
Terminal	Copper, Tin plated		
Screw	M5, Steel, Zn plated		
Torque value (N-m)	2.4		
Operating temperature	-40°C ~ +130°C		
Wiring type	FW2		
Number of Positions		02~20P	



cULus

0166-80XXC

600V



cULus

Triple-barrier, single row



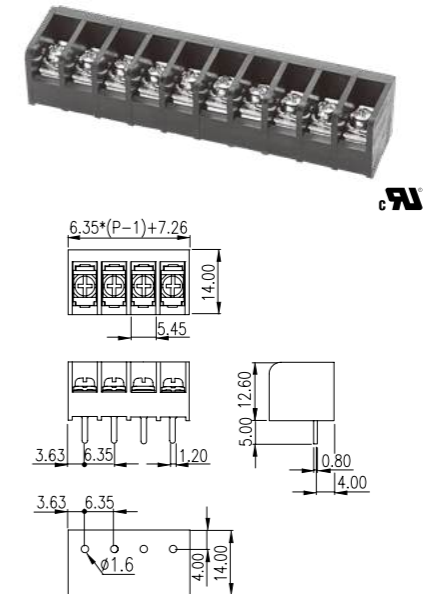
The triple-barrier in single row terminal blocks offer pitches from 6.35mm~16mm and options of various terminal pin designs that are suitable for voltage ratings 300V/6A~600V/65A.

The product range provide a wide variety of screw, terminal and mounting options, fitting a multitude of applications.

6.35mm

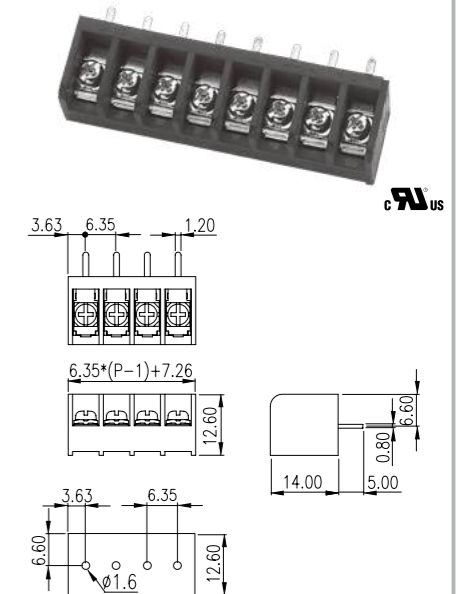
DT-29-B01W-XX

Technical Data		UL	
UL use group	B	D	D
Rated voltage	300V	300V	300V
Rated current	15A	10A	10A
Wire range (AWG)	22~16		
Withstand voltage	AC2000V / 1 minute		
Insulation resistance	≥500MΩ / DC 500V		
Housing	PA66, UL94-V0, black		
Terminal	Brass, Tin plated		
Screw	M2.6, Steel, Ni plated		
Torque value (N-m)	0.5		
Operating temperature	-40°C ~ +120°C		
Wiring type	FW2		
Number of Positions		02~30P	



cULus

DT-29-B02W-XX

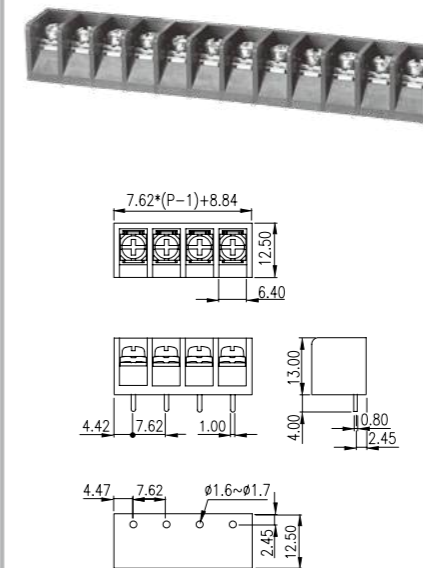


cULus

7.62mm

0032-09XX

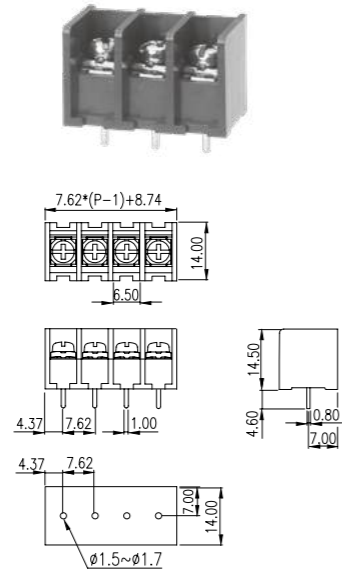
Technical Data		UL	
UL use group	B	D	D
Rated voltage	300V	300V	300V
Rated current	6A	6A	6A
Wire range (AWG)	24~16		
Withstand voltage	AC2500V / 1 minute		
Insulation resistance	≥1000MΩ / DC 500V		
Housing	PBT, UL94-V0, black		
Terminal	Brass, Tin plated		
Screw	M3, Steel, Zn plated		
Torque value (N-m)	0.5~0.6		
Operating temperature	-40°C ~ +130°C		
Wiring type	FW2		
Number of Positions		02~22P	



7.62mm

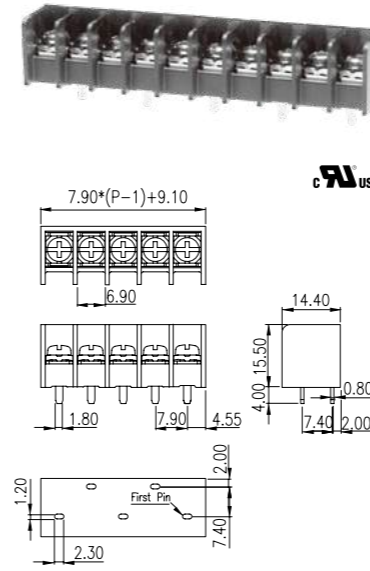
0032-14XX

Technical Data	UL	
	B	D
UL use group	B	D
Rated voltage	300V	300V
Rated current	10A	10A
Wire range (AWG)	24~14	
Withstand voltage	AC2000V / 1 minute	
Insulation resistance	≥1000MΩ / DC 500V	
Housing	PBT, UL94-V0, black	
Terminal	Brass, Tin plated	
Screw	M3, Steel, Ni plated	
Torque value (N-m)	0.5~0.6	
Operating temperature	-40°C ~ +130°C	
Wiring type	FW2	
Number of Positions		
02~13P		



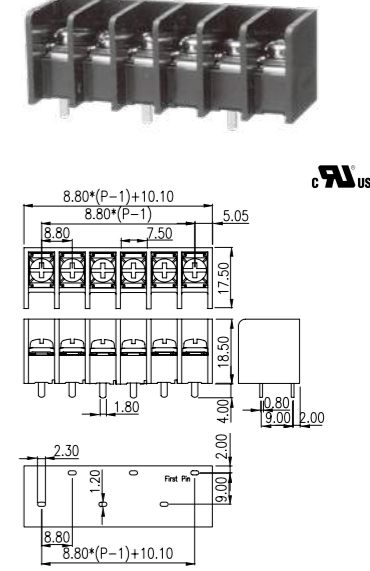
7.90mm

Technical Data	UL	
	B/C	B/C
UL use group	B/C	B/C
Rated voltage	300V	300V
Rated current	20A	30A
Wire range (AWG)	22~12	10
Withstand voltage	AC2500V / 1 minute	
Insulation resistance	≥1000MΩ / DC 500V	
Housing	PBT, UL94-V0, black	
Terminal	Copper, Tin plated	
Screw	M3.5, Steel, Zn plated	
Torque value (N-m)	1.4	
Operating temperature	-40°C ~ +130°C	
Wiring type	FW2	
Number of Positions		
02~25P		



0167-10XX

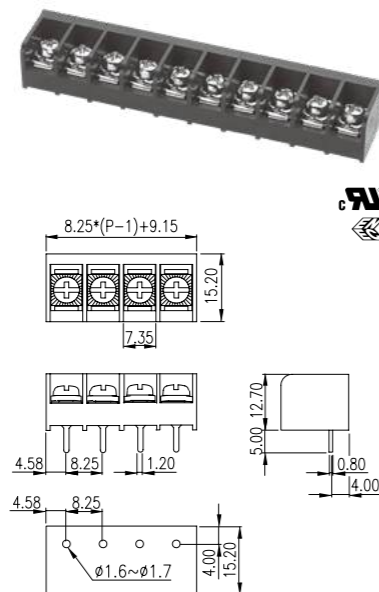
Technical Data	UL	
	B	C
UL use group	B	C
Rated voltage	600V	600V
Rated current	20A	20A
Wire range (AWG)	24~12	
Withstand voltage	AC2500V / 1 minute	
Insulation resistance	≥1000MΩ / DC 500V	
Housing	PBT, UL94-V0, black	
Terminal	Copper, Tin plated	
Screw	M3.5, Steel, Zn plated	
Torque value (N-m)	1	
Operating temperature	-40°C ~ +130°C	
Wiring type	FW2	
Number of Positions		
02~24P		



8.25mm

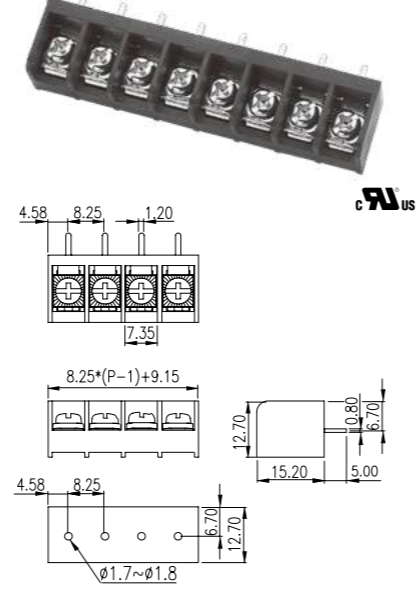
DT-39-B01W-XX

Technical Data	UL	
	B	D
UL use group	B	D
Rated voltage	300V	300V
Rated current	20A	10A
Wire range (AWG)	22~12	
Withstand voltage	AC2000V / 1 minute	
Insulation resistance	≥500MΩ / DC 500V	
Housing	PA66, UL94-V0, black	
Terminal	Brass, Tin plated	
Screw	#6-32, Steel, Ni plated	
Torque value (N-m)	1.4	
Operating temperature	-40°C ~ +120°C	
Wiring type	FW2	
Number of Positions		
02~33P		



DT-39-B02W-XX

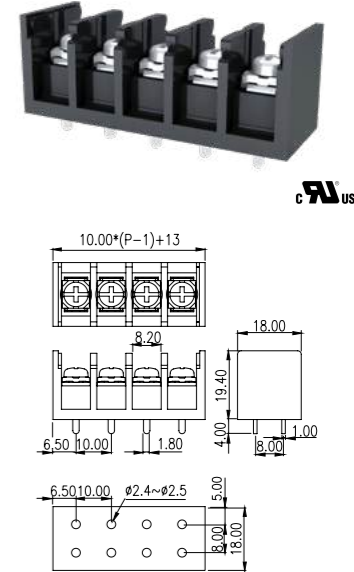
Technical Data	UL	
	B/C	B/C
UL use group	B/C	B/C
Rated voltage	300V	300V
Rated current	20A	10A
Wire range (AWG)	22~12	
Withstand voltage	AC2000V / 1 minute	
Insulation resistance	≥500MΩ / DC 500V	
Housing	PA66, UL94-V0, black	
Terminal	Brass, Tin plated	
Screw	#6-32, Steel, Ni plated	
Torque value (N-m)	1.4	
Operating temperature	-40°C ~ +120°C	
Wiring type	FW2	
Number of Positions		
02~33P		



10.00mm

0186-40XX

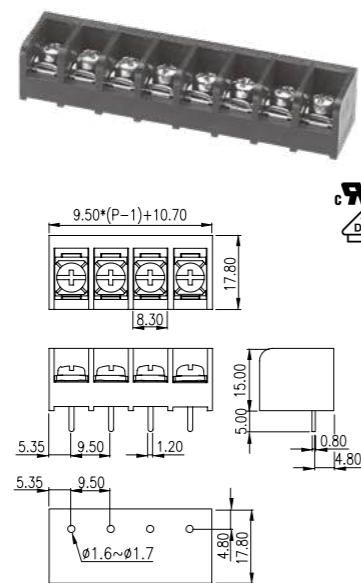
Technical Data	UL	
	B	C
UL use group	B	C
Rated voltage	300V	300V
Rated current	45A	30A
Wire range (AWG)	8	22~10
Withstand voltage	AC2000V / 1 minute	
Insulation resistance	≥1000MΩ / DC 500V	
Housing	PBT, UL94-V0, black	
Terminal	Copper, Tin plated	
Screw	M4, Steel, Ni plated	
Torque value (N-m)	0.8~1	
Operating temperature	-40°C ~ +130°C	
Wiring type	FW2	
Number of Positions		
02~08P		



9.50mm

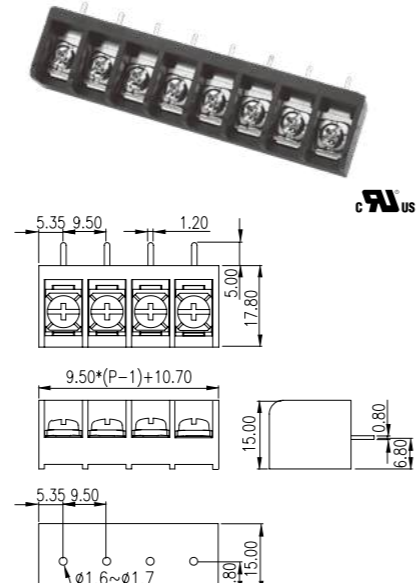
DT-49-B01W-XX

Technical Data	UL	
	B	D
UL use group	B	D
Rated voltage	300V	300V
Rated current	25A	10A
Wire range (AWG)	22~12	
Withstand voltage	AC2000V / 1 minute	
Insulation resistance	≥500MΩ / DC 500V	
Housing	PA66, UL94-V0, black	
Terminal	Brass, Tin plated	
Screw	#6-32, Steel, Ni plated	
DT-49-B01W-XX	#6-32, Steel, Ni plated	
DT-49-B02W-XX	#6-32, Steel, Ni plated	
DT-49-C91W-XX	M3.5, Steel, Ni plated	
Torque value (N-m)	1.4	
Operating temperature	-40°C ~ +120°C	
Wiring type	FW2	
Number of Positions		
02~31P		
02~15P		



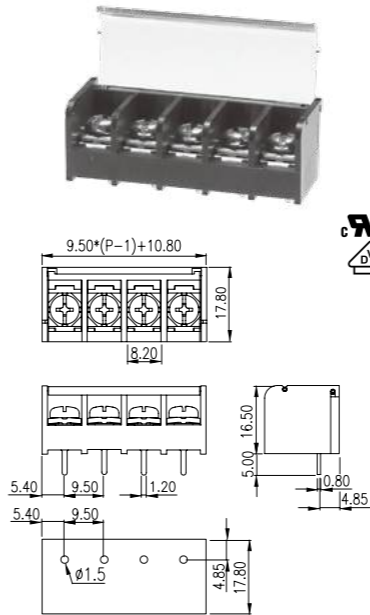
DT-49-B02W-XX

Technical Data	UL	
	B/C	B/C
UL use group	B/C	B/C
Rated voltage	300V/150V	300V
Rated current	30A	10A
Wire range (AWG)	22~10	
Withstand voltage	AC2000V / 1 minute	
Insulation resistance	≥500MΩ / DC 500V	
Housing	PA66, UL94-V0, black	
Terminal	Brass, Tin plated	
Screw	M4, Steel, Ni plated	
Torque value (N-m)	1.8	
Operating temperature	-40°C ~ +120°C	
Wiring type	FW2	
Number of Positions		
02~26P		



DT-49-C91W-XX

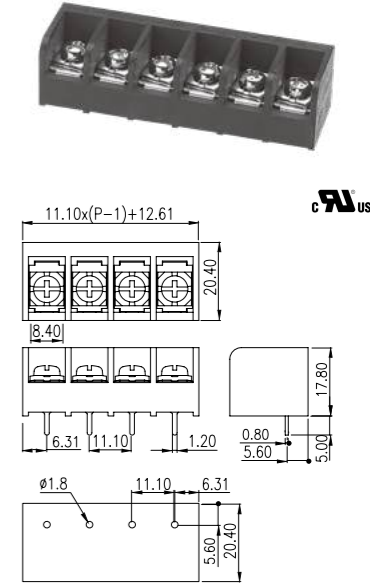
Technical Data	UL	
	B/C	D
UL use group	B/C	D
Rated voltage	300V/150V	300V
Rated current	30A	10A
Wire range (AWG)	22~10	
Withstand voltage	AC2000V / 1 minute	
Insulation resistance	≥500MΩ / DC 500V	
Housing	PA66, UL94-V0, black	
Terminal	Brass, Tin plated	
Screw	M4, Steel, Ni plated	
Torque value (N-m)	1.8	
Operating temperature	-40°C ~ +120°C	
Wiring type	FW2	
Number of Positions		
02~26P		



11.00mm

DT-69-B01W-XX

Technical Data	UL	
	B/C	D
UL use group	B/C	D
Rated voltage	300V/150V	300V
Rated current	30A	10A
Wire range (AWG)	22~10	
Withstand voltage	AC2000V / 1 minute	
Insulation resistance	≥500MΩ / DC 500V	
Housing	PA66, UL94-V0, black	
Terminal	Brass, Tin plated	
Screw	M4, Steel, Ni plated	
Torque value (N-m)	1.8	
Operating temperature	-40°C ~ +120°C	
Wiring type	FW2	
Number of Positions		
02~26P		

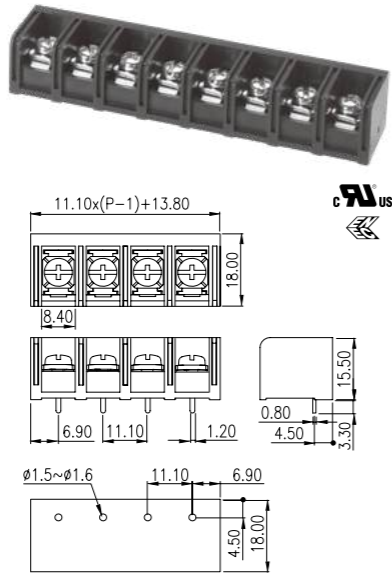


11.00mm

DT-69-H53W-XX

600V

Technical Data		UL	
UL use group	B/C	B/C	B/C
Rated voltage	600V	600V	600V
Rated current	20A	45A	45A
Wire range (AWG)	22~12	10~8	10~8
Withstand voltage	AC3000V / 1 minute		
Insulation resistance	≥1000MΩ / DC 500V		
Housing	PBT, UL94-V0, black		
Terminal	Copper, Tin plated		
Screw	#6-32, Steel, Zn plated		
Torque value (N-m)	1		
Operating temperature	-40°C ~ +130°C		
Wiring type	FW2		
Number of Positions			
02~16P			

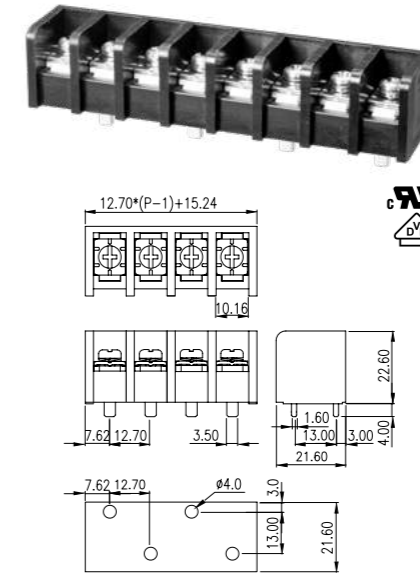


12.70mm

DT-79-B01W-XX

600V

Technical Data		UL	
UL use group	B/C	D	D
Rated voltage	600V	600V	600V
Rated current	45A(str)/43A(sol)	5A	5A
Wire range (AWG)	18~8		
Withstand voltage	AC2500V / 1 minute		
Insulation resistance	≥1000MΩ / DC 500V		
Housing	PBT, UL94-V0, black		
Terminal	Brass, Tin plated		
Screw	M4, Steel, Zn plated		
Torque value (N-m)	1.8		
Operating temperature	-40°C ~ +130°C		
Wiring type	FW2		
Number of Positions			
02~16P			

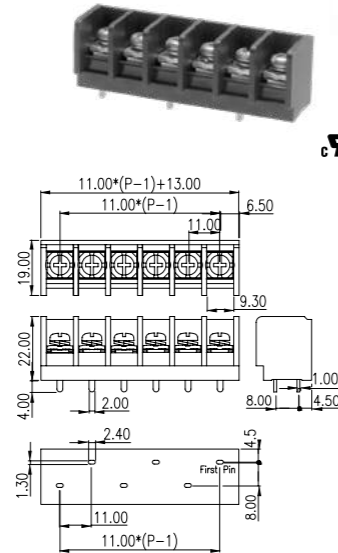


11.00mm

0167-50XX

600V

Technical Data		UL	
UL use group	B/C	B/C	B/C
Rated voltage	600V	600V	600V
Rated current	30A	50A	50A
Wire range (AWG)	22~10	8	8
Withstand voltage	AC3000V / 1 minute		
Insulation resistance	≥1000MΩ / DC 500V		
Housing	PBT, UL94-V0, black		
Terminal	Copper, Tin plated		
Screw	M4, Steel, Zn plated		
Torque value (N-m)	1.8		
Operating temperature	-40°C ~ +130°C		
Wiring type	FW2		
Number of Positions			
02~25P			

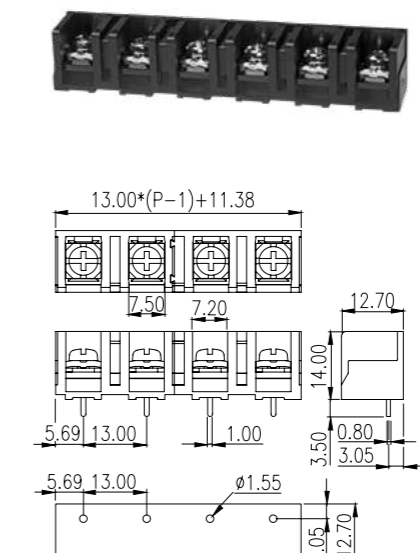


13.00mm

0167-70XX

600V

Technical Data		UL	
UL use group	B/C	D	D
Rated voltage	600V	600V	600V
Rated current	20A	5A	5A
Wire range (AWG)	22~12		
Withstand voltage	AC2500V / 1 minute		
Insulation resistance	≥1000MΩ / DC 500V		
Housing	PBT, UL94-V0, black		
Terminal	Brass, Tin plated		
Screw	M3.5, Steel, Ni plated		
Torque value (N-m)	0.8~1		
Operating temperature	-40°C ~ +130°C		
Wiring type	FW2		
Number of Positions			
02~10P			

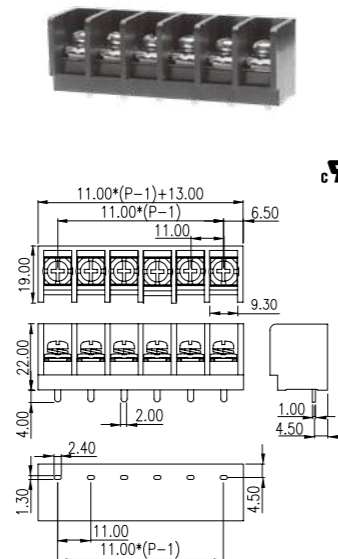


11.00mm

0167-52XX

600V

Technical Data		UL	
UL use group	B/C	B/C	B/C
Rated voltage	300V	300V	300V
Rated current	30A	50A	50A
Wire range (AWG)	22~10	8	8
Withstand voltage	AC2500V / 1 minute		
Insulation resistance	≥1000MΩ / DC 500V		
Housing	PBT, UL94-V0, black		
Terminal	Copper, Tin plated		
Screw	M4, Steel, Zn plated		
Torque value (N-m)	1.8		
Operating temperature	-40°C ~ +130°C		
Wiring type	FW2		
Number of Positions			
02~25P			

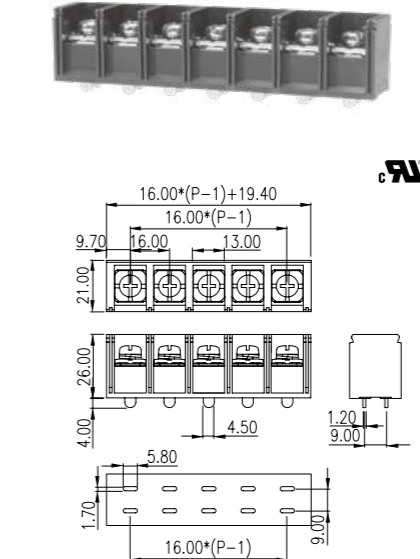


16.00mm

0167-80XX

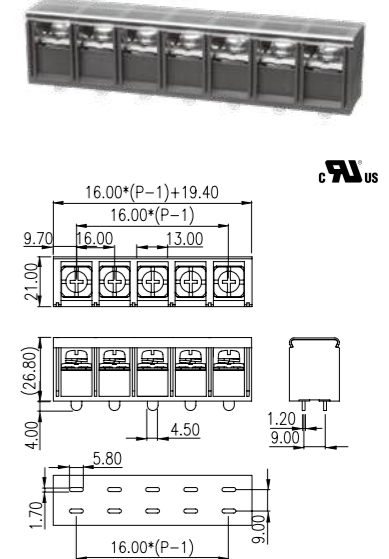
600V

Technical Data		UL	
UL use group	B/C	B/C	B/C
Rated voltage	600V	600V	600V
Rated current	65A	85A/100A	85A/100A
Wire range (AWG)	14~6	4(sol)/3~4(str)	4(sol)/3~4(str)
Withstand voltage	AC2500V / 1 minute		
Insulation resistance	≥1000MΩ / DC 500V		
Housing	PBT, UL94-V0, black		
Terminal	Copper, Tin plated		
Screw	M5, Steel, Zn plated		
Torque value (N-m)	2.4		
Operating temperature	-40°C ~ +130°C		
Wiring type	FW2		
Number of Positions			
02~20P			



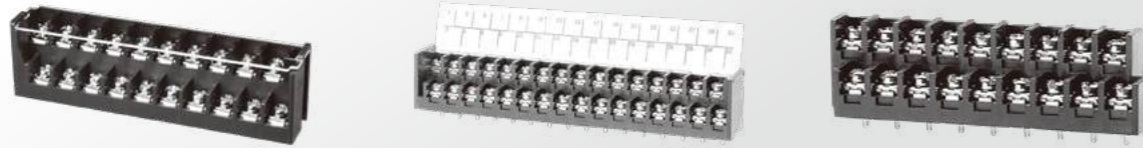
0167-80XXC

600V



Triple-barrier, Bi-level

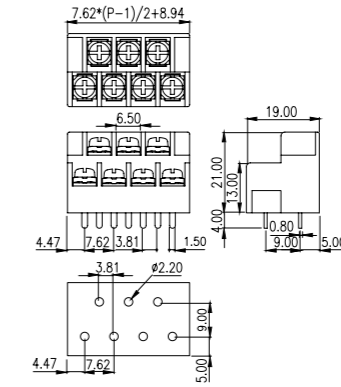
The bi-level barrier terminal block is in triple-barrier housing, the solution is for high density wiring in small spaces. Available pitches from 7.62mm ~14.3mm and options of various terminal pin designs that are suitable for voltage ratings 300V/10A~ 600V/35A. The optional top cover offers additional protection and can have markings printed on for clearer wire indication.



7.62mm

0032-23XX

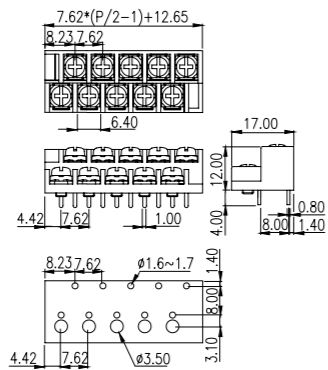
Technical Data		UL	
UL use group	B	D	
Rated voltage	300V	300V	
Rated current	20A	10A	
Wire range (AWG)	22~12		
Withstand voltage	AC2000V / 1 minute		
Insulation resistance	≥1000MΩ / DC 500V		
Housing	PBT, UL94-V0, black		
Terminal	Brass, Tin plated		
Screw	M3, Steel, Ni plated		
Torque value (N-m)	0.5~0.6		
Operating temperature	-40°C ~ +130°C		
Wiring type	FW2		
Number of Positions			
03~05.....23P			



7.62mm

0032-15XX

Technical Data		UL	
UL use group	B	D	
Rated voltage	300V	300V	
Rated current	10A	10A	
Wire range (AWG)	24~16		
Withstand voltage	AC2000V / 1 minute		
Insulation resistance	≥1000MΩ / DC 500V		
Housing	PBT, UL94-V0, black		
Terminal	Brass, Tin plated		
Screw	M3, Steel, Zn plated		
Torque value (N-m)	0.5~0.8		
Operating temperature	-40°C ~ +130°C		
Wiring type	FW2		
Number of Positions			
04~32P			

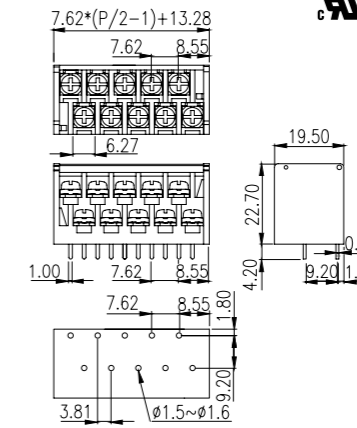
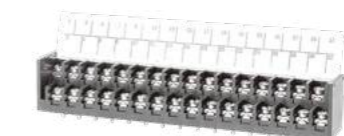
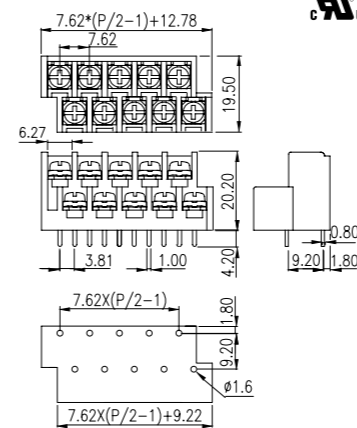
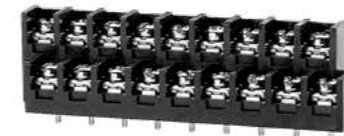


7.62mm

Technical Data		UL	
UL use group	B	D	
Rated voltage	300V	300V	
Rated current	15A	10A	
Wire range (AWG)	22~14		
Withstand voltage	AC2000V / 1 minute		
Insulation resistance	≥1000MΩ / DC 500V		
Housing	PBT, UL94-V0, black		
Terminal	Brass, Tin plated		
Screw	M3, Steel, Ni plated		
Torque value (N-m)	0.8		
Operating temperature	-40°C ~ +130°C		
Wiring type	FW2		
Number of Positions			
04~60P			

2DD-B01W-XX

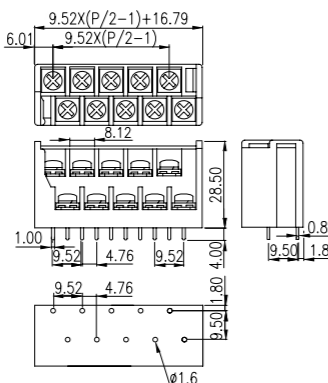
2DC-B01W-XX



9.52mm

4DC-B01W-XX

Technical Data		UL	
UL use group	B	D	
Rated voltage	300V	300V	
Rated current	20A	10A	
Wire range (AWG)	18~12(sol)/14~12(str)		
Withstand voltage	AC2000V / 1 minute		
Insulation resistance	≥1000MΩ / DC 500V		
Housing	PBT, UL94-V0, black		
Terminal	Brass, Tin plated		
Screw	M3.5, Steel, Ni plated		
Torque value (N-m)	1.4		
Operating temperature	-40°C ~ +130°C		
Wiring type	FW2		
Number of Positions			
04~48P			



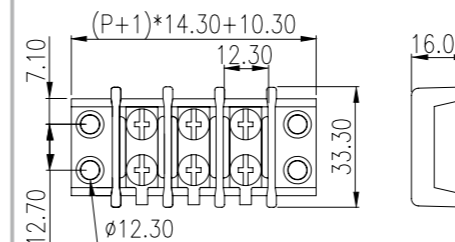
14.3mm

Technical Data		UL	
UL use group	B/C	D	
Rated voltage	600V	600V	
Rated current	35A	5A	
Wire range (AWG)	18~10 (O&Y)		
Withstand voltage	AC2500V / 1 minute		
Insulation resistance	≥1000MΩ / DC 500V		
Housing	PBT, UL94-V0, black		
Terminal	Brass, Ni plated		
Screw	#8-32, Steel, Zn plated		
Torque value (N-m)	1.8		
Operating temperature	-40°C ~ +130°C		
Wiring type	FW1		
Number of Positions			
02~16P			

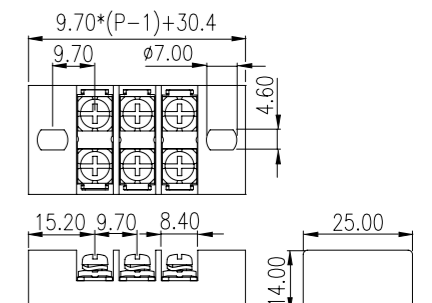
0113-10XX

9.7mm

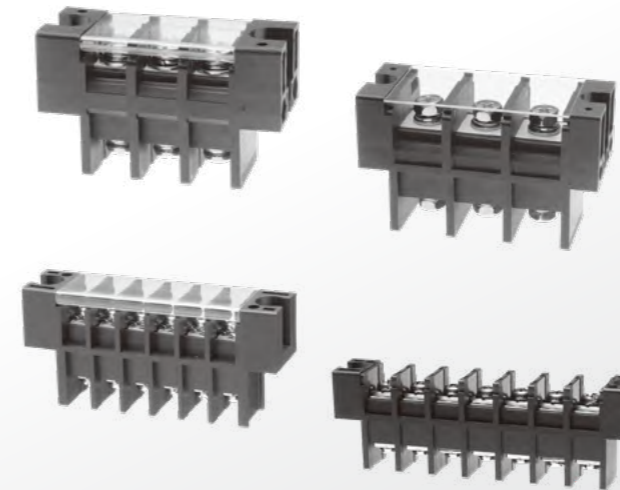
0032-45XX



Technical Data		UL	
UL use group	B	D	
Rated voltage	300V	300V	
Rated current	15A	10A	
Wire range (AWG)	22~12		
Withstand voltage	AC2500V / 1 minute		
Insulation resistance	≥1000MΩ / DC 500V		
Housing	PBT, UL94-V0, black		
Terminal	Brass, Ni plated		
Screw	M3.5, Steel, Ni plated		
Torque value (N-m)	0.8~1		
Operating temperature	-40°C ~ +130°C		
Wiring type	FW2		
Number of Positions			
08P, 12P			



Panel Feed-Through

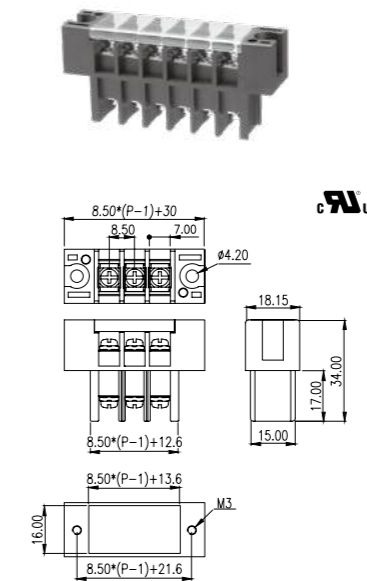


High quality copper material is used for a safer, more effective connection through panels. Available pitches from 8.50mm ~ 27.00mm with a max. amp rating of 175A and a max. voltage rating of 600V. Top protection covers and washers are optional.

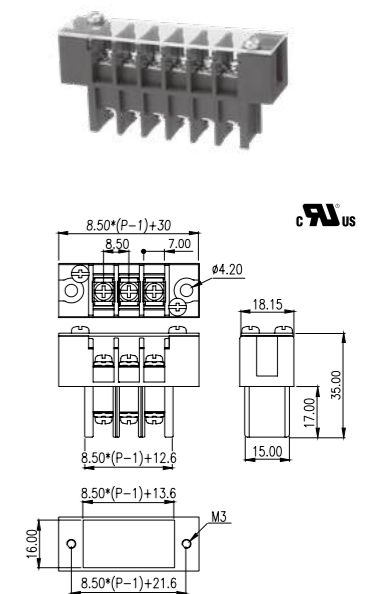
8.50mm

Technical Data		UL	
UL use group		B	C
Rated voltage		300V	300V
Rated current		20A	20A
Wire range (AWG)		22~12	
Withstand voltage		AC2000V / 1 minute	
Insulation resistance		≥1000MΩ / DC 500V	
Housing		PBT, UL94-V0, black	
Terminal		Copper, Tin plated	
Screw		M3, Steel, Ni plated	
Torque value (N-m)		1	
Operating temperature		-40°C ~ +130°C	
Wiring type		FW2	
Number of Positions			
02~15P			

0168-10XX



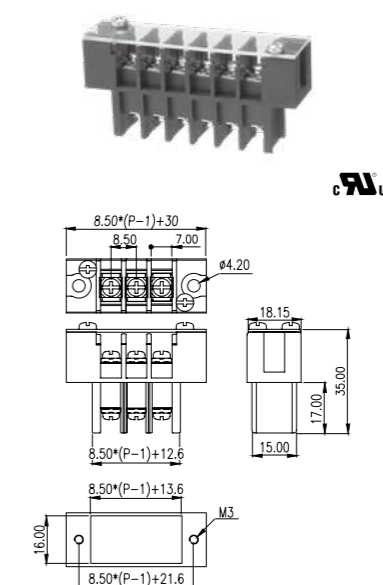
0168-14XX



8.50mm

Technical Data		UL	
UL use group		B	D
Rated voltage		300V	300V
Rated current		20A	20A
Wire range (AWG)		22~12	
Withstand voltage		AC2000V / 1 minute	
Insulation resistance		≥1000MΩ / DC 500V	
Housing		PBT, UL94-V0, black	
Terminal		Copper, Tin plated	
Screw		M3.5, Steel, Ni plated	
Torque value (N-m)		1	
Operating temperature		-40°C ~ +130°C	
Wiring type		FW2	
Number of Positions			
02~15P			

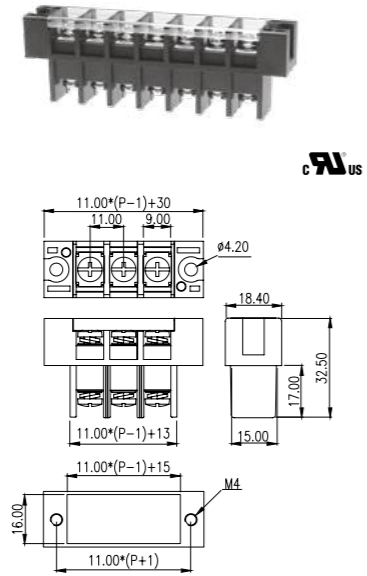
0168-15XX



11.00mm

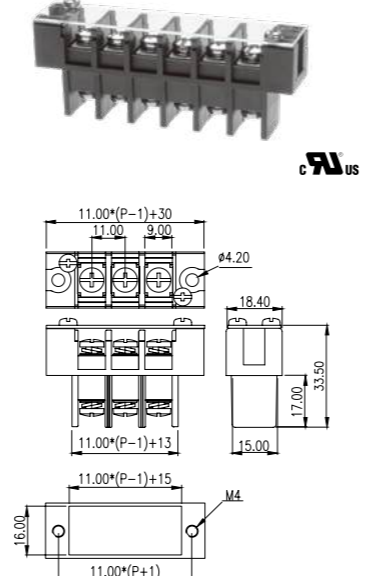
0168-20XX

Technical Data		UL	
UL use group	B	C	
Rated voltage	300V	300V	
Rated current	30A	30A	
Wire range (AWG)	22~10		
Withstand voltage	AC2500V / 1 minute		
Insulation resistance	≥1000MΩ / DC 500V		
Housing	PBT, UL94-V0, black		
Terminal	Copper, Tin plated		
Screw	M4, Steel, Ni plated		
Torque value (N-m)	1.8		
Operating temperature	-40°C ~ +130°C		
Wiring type	FW2		
Number of Positions			
02~23P			



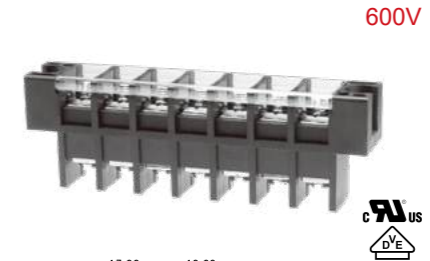
0168-24XX

Technical Data		UL	
UL use group	B	C	
Rated voltage	600V	600V	
Rated current	50A	50A	
Wire range (AWG)	22~8		
Withstand voltage	AC2500V / 1 minute		
Insulation resistance	≥1000MΩ / DC 500V		
Housing	PBT, UL94-V0, black		
Terminal	Copper, Tin plated		
Screw	M4, Steel, Zn plated		
Torque value (N-m)	1.8		
Operating temperature	-40°C ~ +130°C		
Wiring type	FW2		
Number of Positions			
02~12P			

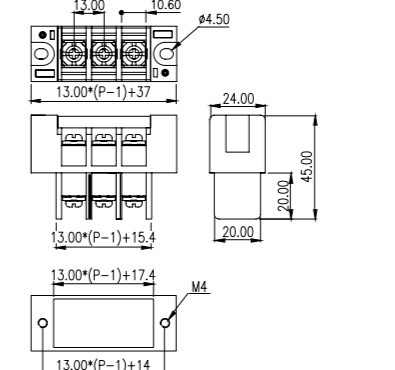


13.00mm

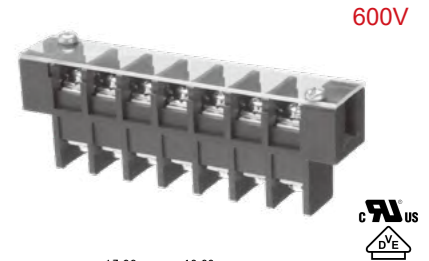
0168-32XX



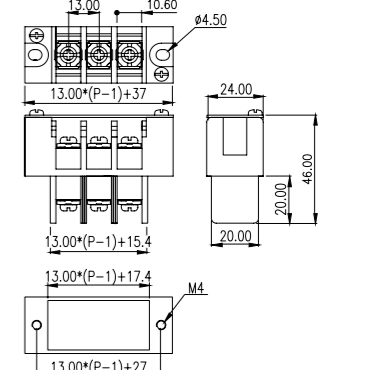
600V



0168-35XX



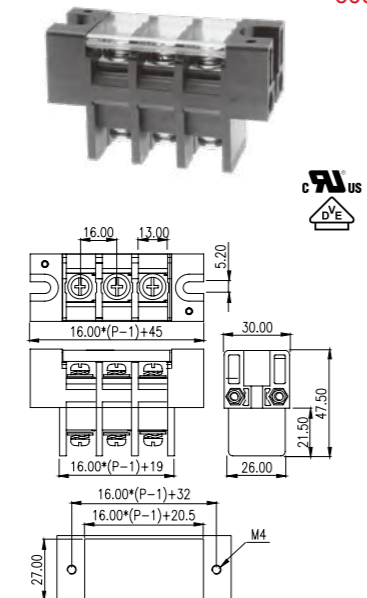
600V



16.00mm

0168-40XX

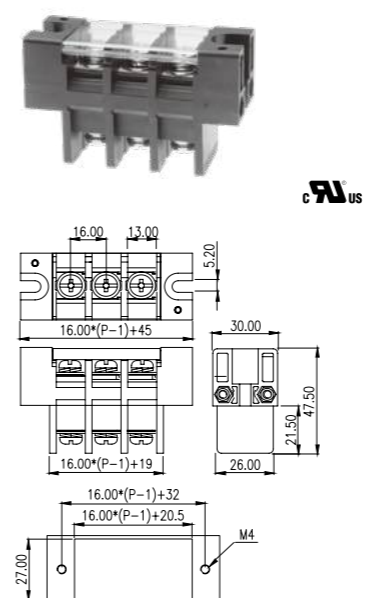
Technical Data		UL	
UL use group	B	C	
Rated voltage	600V	600V	
Rated current	115A	115A	
Wire range (AWG)	14~2		
Withstand voltage	AC2500V / 1 minute		
Insulation resistance	≥1000MΩ / DC 500V		
Housing	PBT, UL94-V0, black		
Terminal	Copper, Tin plated		
Screw	M5, Steel, Ni plated		
Torque value (N-m)	2.5		
Operating temperature	-40°C ~ +130°C		
Wiring type	FW2		
Number of Positions			
02~15P			



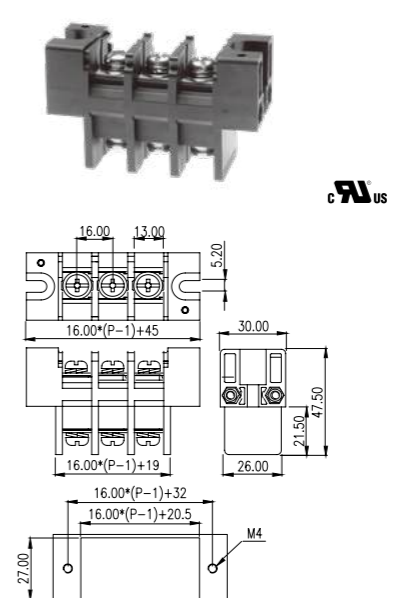
16.00mm

0168-42XX

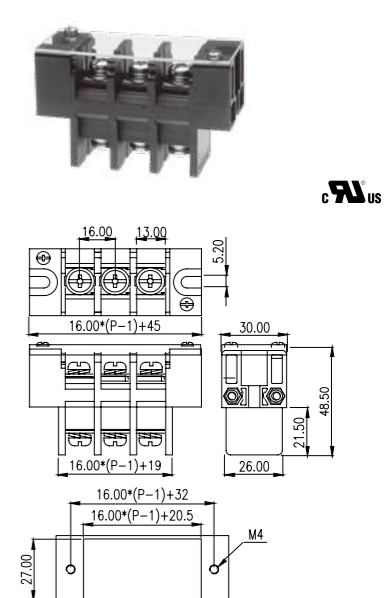
Technical Data		UL	
UL use group	B	C	
Rated voltage	600V	600V	
Rated current	115A	115A	
Wire range (AWG)	14~2		
Withstand voltage	AC2500V / 1 minute		
Insulation resistance	≥1000MΩ / DC 500V		
Housing	PBT, UL94-V0, black		
Terminal	Copper, Tin plated		
Screw	M6, Steel, Ni plated		
Torque value (N-m)	2.5		
Operating temperature	-40°C ~ +130°C		
Wiring type	FW2		
Number of Positions			
02~15P			



0168-43XX



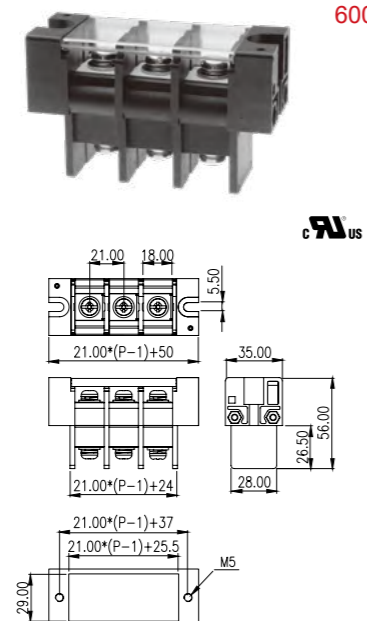
0168-45XX



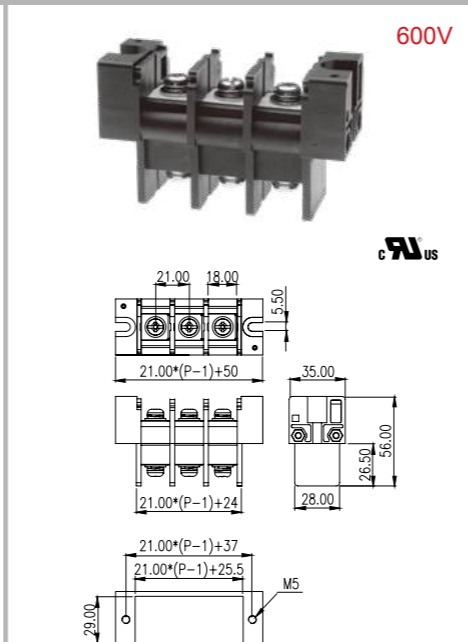
21.00mm

0168-50XX

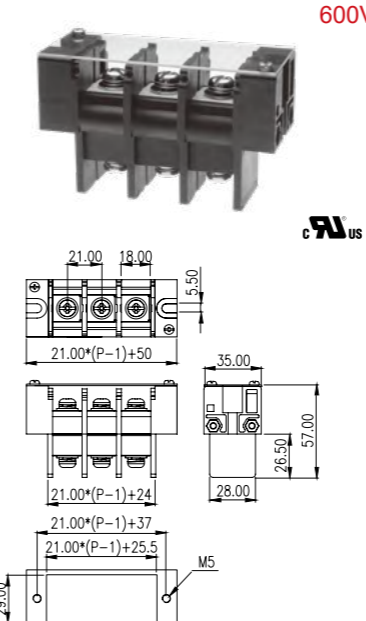
Technical Data		UL	
UL use group	B	C	
Rated voltage	600V	600V	
Rated current	130A	130A	
Wire range (AWG)	8~1		
Withstand voltage	AC2500V / 1 minute		
Insulation resistance	≥1000MΩ / DC 500V		
Housing	PBT, UL94-V0, black		
Terminal	Copper, Tin plated		
Screw	M6, Steel, Ni plated		
Torque value (N-m)	3		
Operating temperature	-40°C ~ +130°C		
Wiring type	FW2		
Number of Positions			
02~15P			



0168-51XX



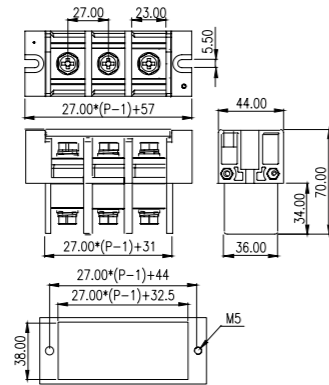
0168-54XX



27.00mm

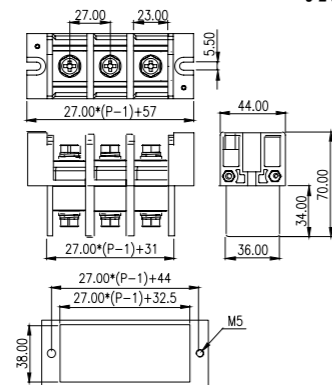
0168-62XX

600V



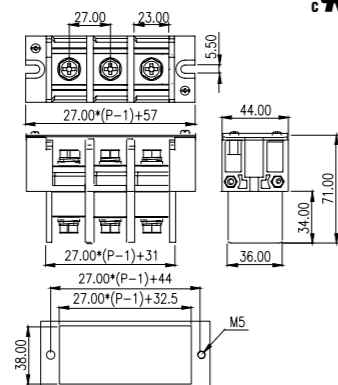
0168-63XX

600V



0168-65XX

600V

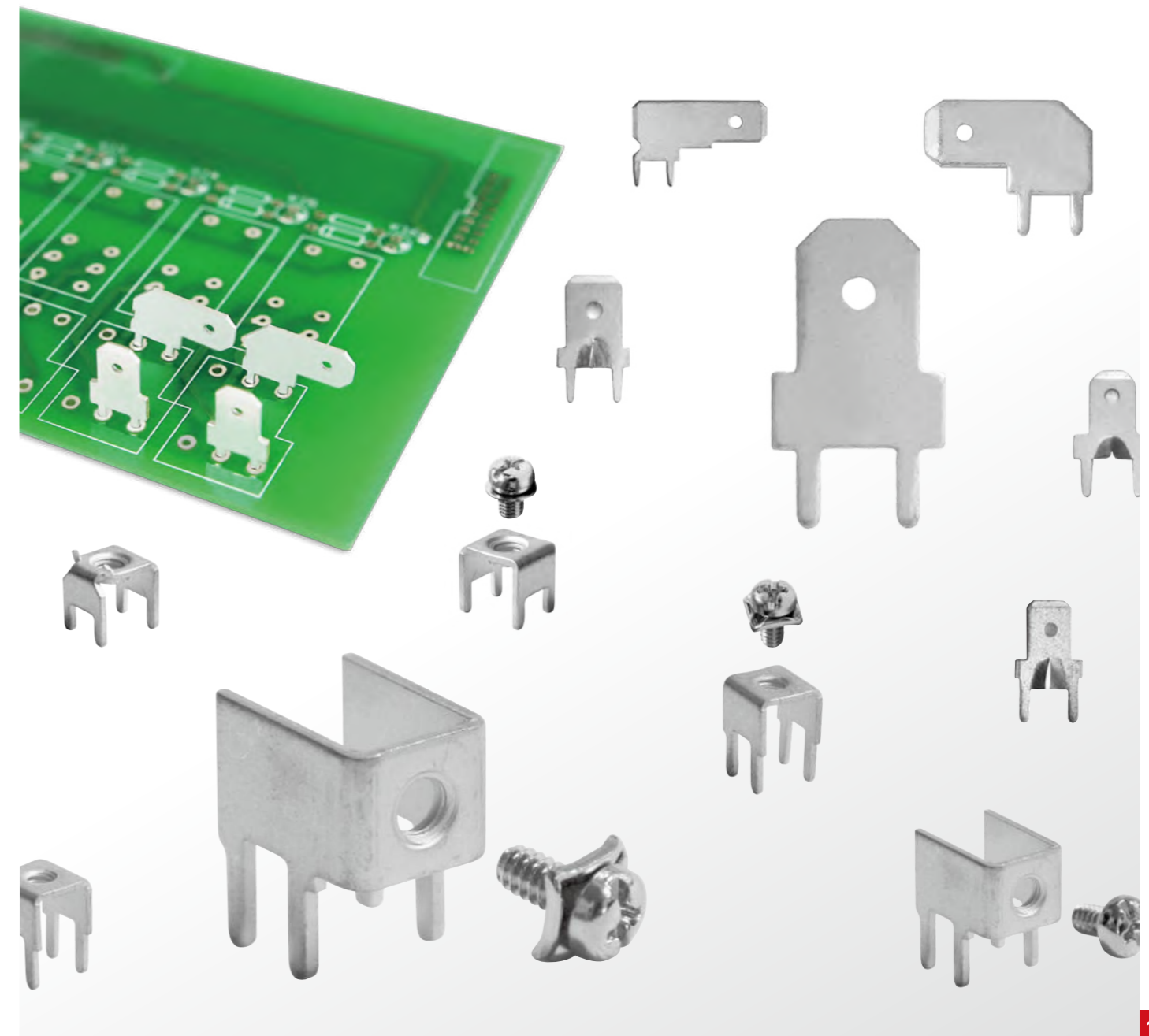


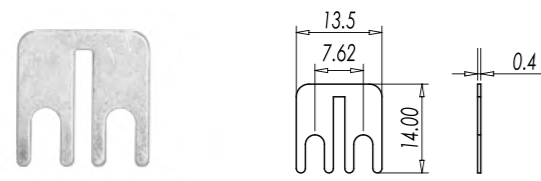
Quick Terminals / Tabs

Quick terminals meet the dimensional and performance requirements of the standard UL310.

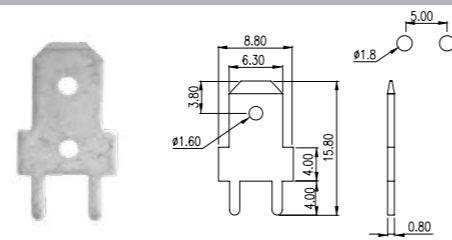
The series of quick terminals is for reliable and cost-effective connections.

These products are designed to terminate wires and components to printed circuit boards (PCBs). Our quick terminals/tabs provide reliable, cost-effective solutions for connecting assemblies with pin contacts to printed circuit boards.

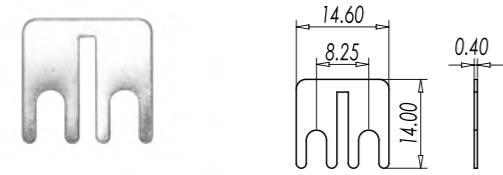


DS-201

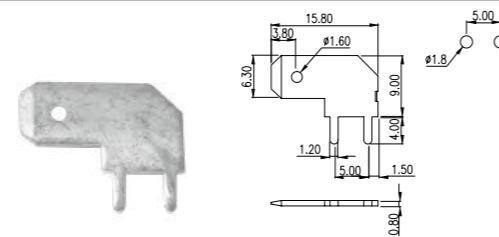
Material	Brass, Tin plated
Rating	15A

P-850

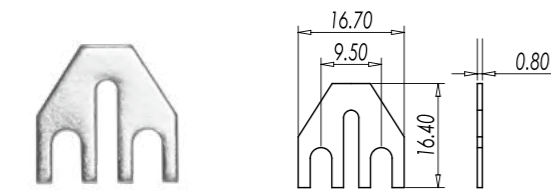
Material	Brass, Tin plated
Rating	30A

DS-301

Material	Brass, Tin plated
Rating	20A

P-860

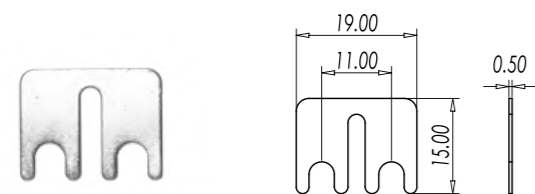
Material	Brass, Tin plated
Rating	30A

DS-401

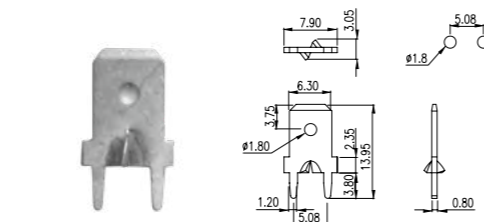
Material	Brass, Tin plated
Rating	25A

P-861

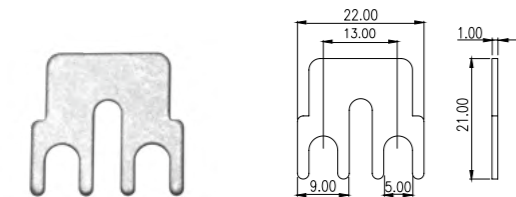
Material	Brass, Tin plated
Rating	30A

DS-601

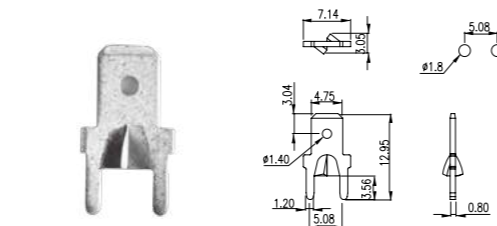
Material	Brass, Tin plated
Rating	25A

P-851

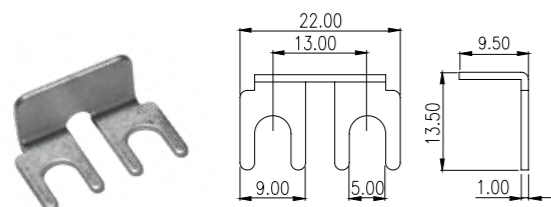
Material	Brass, Tin plated
Rating	30A

DS-701

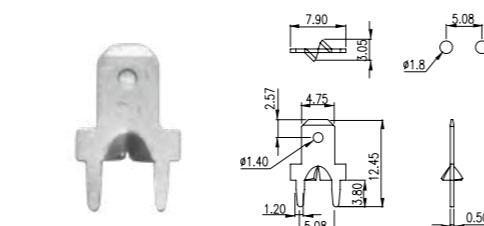
Material	Brass, Tin plated
Rating	40A

P-871

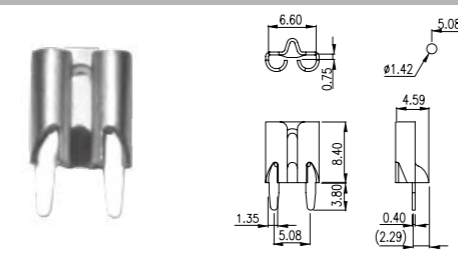
Material	Brass, Tin plated
Rating	30A

DS-701R

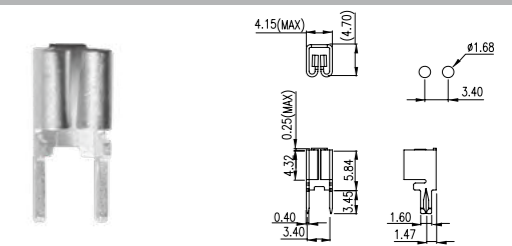
Material	Brass, Tin plated
Rating	40A

P-872

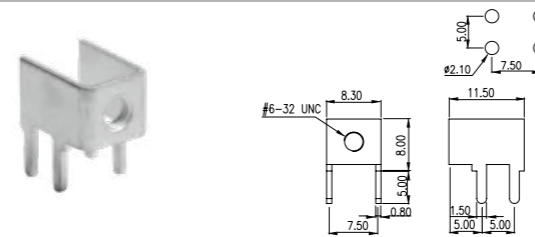
Material	Brass, Tin plated
Rating	30A

P-610

Material	Brass, Tin plated
Rating	30A

P-620

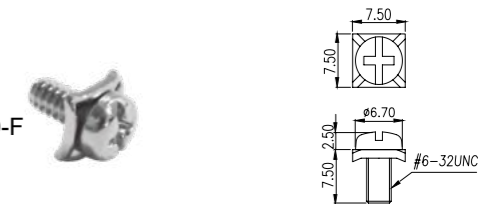
Material	Brass, Tin plated
Rating	20A

P-810

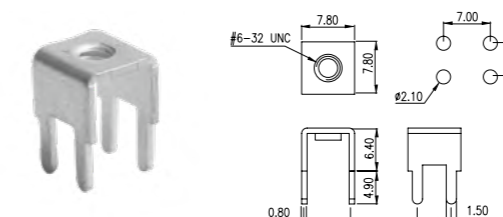
Material	Brass, Tin plated
Rating	80A

Screw

S000001100-F

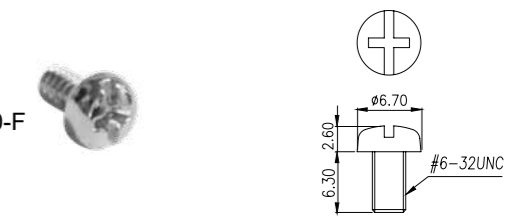


Material	Steel, Ni plated
Size	#6-32
Torque (N-m):	0.8

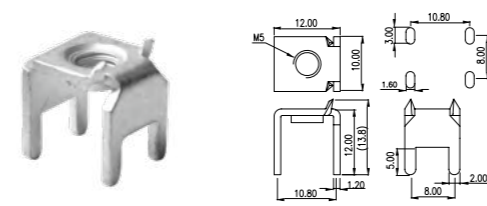
P-820

Material	Brass, Tin plated
Rating	50A

S000001200-F



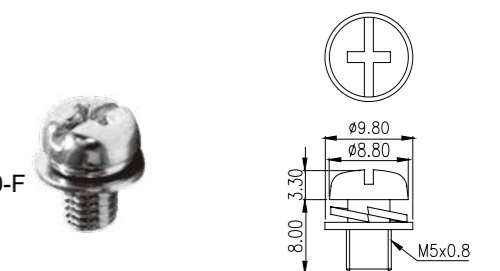
Material	Steel, Ni plated
Size	#6-32
Torque (N-m):	0.8

P-830

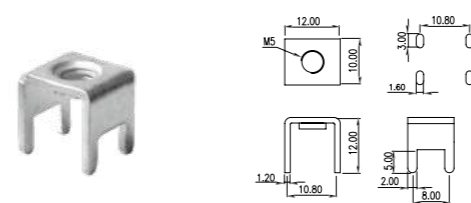
Material	Brass, Tin plated
Rating	85A

Screw

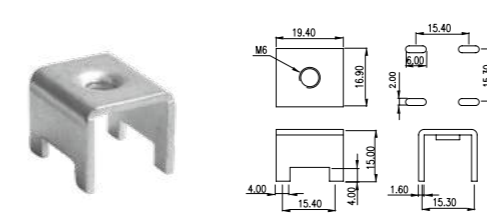
S000004700-F



Material	Steel, Zn plated
Size	M5
Torque (N-m):	2

P-831

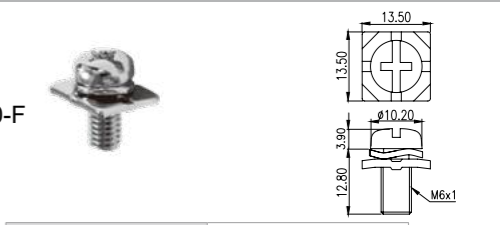
Material	Brass, Tin plated
Rating	85A

P-840

Material	Brass, Tin plated
Rating	150A

Screw

S000008400-F



Material	Steel, Ni plated
Size	M6
Torque (N-m):	2.5

Quick PCB Tabs

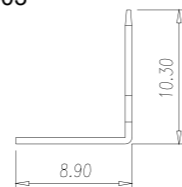
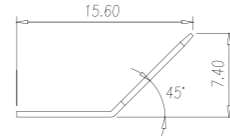
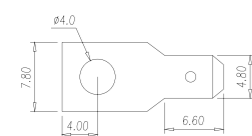
PCB tabs are used to test receptacle insertion/extraction requirements quickly and simply. Double-ended test tab can be used for electrical and temperature rise testing. These terminals are designed according to the electrical test setup outlined in UL 310.

QT-8001~QT-8003

QT-8001

QT-8002

QT-8003

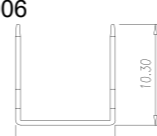
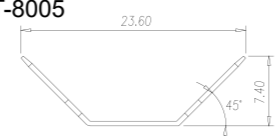
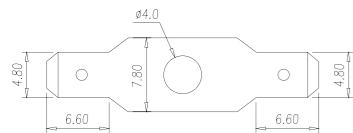


QT-8004~QT-8009

QT-8004

QT-8005

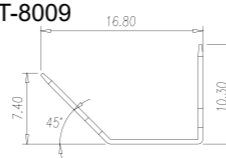
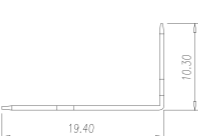
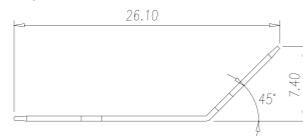
QT-8006



QT-8007

QT-8008

QT-8009

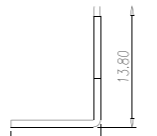
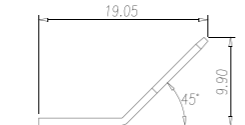
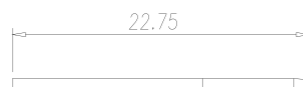
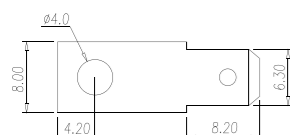


QT-9001~QT-9003

QT-9001

QT-9002

QT-9003

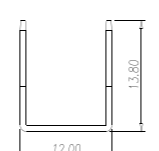
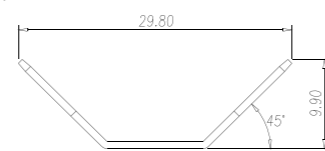
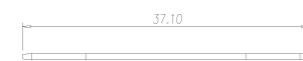
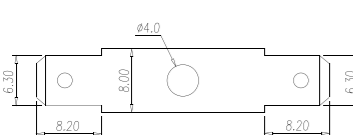


QT-9004~QT-9009

QT-9004

QT-9005

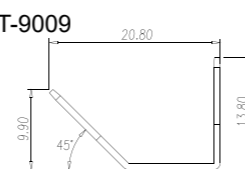
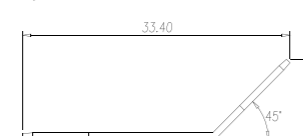
QT-9006



QT-9007

QT-9008

QT-9009



Index

Part number	Page	Part number	Page	Part number	Page	Part number	Page
00		0121-01XX	45	0156-12XX	17	0156-2DXX-BK	19
0032-09XX	152	0136-10XX	101	0156-12XXL	17	0156-9AXX	20
0032-11XX	151	0136-11XX	101	0156-13XX	17	0156-9BXX	19
0032-14XX	153	0136-20XX	102	0156-13XXL	17	0156-9CXX	19
0032-15XX	157	0136-21XX	102	0156-15XX	16	0156-9DXX	20
0032-23XX	158	0136-22XX	102	0156-15XXL	16	0157-10XXL	18
0032-45XX	158	0136-23XX	102	0156-16XX	17	0157-15XXL	18
0040-0101E	137	0137-11XX	104	0156-16XXL	17	0157-1BXX	18
0040-0102E	137	0137-40XX	102	0156-17XX	17	0159-01XX	21
0040-0103E	137	0137-41XX	102	0156-17XXL	17	0159-03XX	21
0040-0104E	137	0137-41XXM	103	0156-18XX	17	0159-04XX	21
0040-0105E	137	0138-10XX	101	0156-18XXL	17	0159-05XX	22
0040-0106E	137	0138-11XX	101	0156-19XX	17	0159-07XX	22
0040-0107E	137	0138-42XXL20	103	0156-19XXL	17	0159-08XX	22
0040-0108E	137	0138-50XX	102	0156-1AXX-BK	17	0159-11XX	21
0040-0212E	137	0138-50XXL	102	0156-1BXX-BK	16	0159-11XXL	21
0040-0213E	137	0138-50XXSMDWR	101	0156-1CXX-BK	17	0159-11XXLWR	84
0040-0214E	137	0138-51XX	102	0156-1DXX-BK	17	0159-11XXWR	84
0040-0215E	137	0138-51XXL	102	0156-20XX-BK	19	0159-12XX	21
0040-0216E	137	0138-60XX	106	0156-20XX-BK-WR	84	0159-12XXL	21
0040-0217E	137	0138-60XXL	106	0156-20XXL	19	0159-12XXLWR	84
0040-0218E	137	0138-61XX	106	0156-20XXLWR	84	0159-12XXWR	84
0040-0219E	137	0138-61XXL	106	0156-21XX-BK	19	0159-13XX	21
0040-0220E	137	0138-70XX	105	0156-21XX-BK-WR	84	0159-13XXL	21
0040-0221E	137	0138-76XX	105	0156-21XXL	19	0159-31XX	21
0040-0222E	137	0141-01XX	104	0156-21XXLWR	84	0159-31XXL	21
0040-0223E	137	0141-21XX	106	0156-22XX-BK	20	0159-31XXLWR	84
0040-0224E	137	0141-22XX	104	0156-22XXL	20	0159-31XXWR	84
0040-0225E	137	0141-24XX	106	0156-24XX-BK	19	0159-32XX	21
0040-0226E	137	0150-20XX	37	0156-24XX-BK-WR	84	0159-32XXL	21
0040-0227E	137	0150-26XX	37	0156-24XXL	19	0159-32XXLWR	84
0040-0228E	137	0150-30XX	38	0156-24XXLWR	84	0159-32XXWR	84
0040-0229E	137	0150-36XX	38	0156-25XX-BK	19	0159-33XX	22
0040-0301E	137	0150-40XX	38	0156-25XX-BK-WR	84	0159-33XXL	22
0040-0302E	137	0150-46XX	38	0156-25XXL	19	0159K1L	22
0040-0303E	137	0151-01XX	103	0156-25XXLWR	84	0161-01XX	93
0040-0305E	137	0151-01XXL	103	0156-26XX-BK	19	0161-02XX	93
0040-0308E	137	0151-02XX	103	0156-26XX-BK-WR	84	0161-03XX	93
0040-0311E	137	0151-02XXL	103	0156-26XXL	19	0161-04XX	93
0040-0314E	137	0152-01XX	104	0156-26XXLWR	84	0161-11XX	93
0040-0316E	137	0152-02XX	104	0156-27XX-BK	20	0161-12XX	93
0040-0318E	137	0152-03XX	104	0156-27XXL	20	0161-13XX	93
0040-0320E	137	0152-53XX	106	0156-29XX-BK	19	0161-14XX	93
0040-0322E	137	0153-01XX	105	0156-29XX-BK-WR	84	0162-01XX	90
0040-0324E	137	0153-02XX	105	0156-29XXL	19	0162-06XX	90
0040-0326E	137	0153-41XX	106	0156-29XXLWR	84	0162-11XX	90
01		0153-91XX	105	0156-2AXX-BK	19	0162-A1XX	90
0113-10XX	158	0156-10XX	16	0156-2BXX-BK	19	0162-A6XX	90
0113-22XX	143	0156-10XXL	16	0156-2CXX-BK	19	0164-01XX	90

Part number	Page	Part number	Page	Part number	Page	Part number	Page
0164-01XX(T)	90	0177-81XX	107	0191-04XX	89	0221-42XX	33
0164-02XX	90	0177-83XX	107	0191-04XXC	89	0221-43XX	33
0164-11XX	90	0177-86XX	107	0191-05XX	89	0221-44XX	33
0164-11XXL	90	0177-88XX	107	0191-06XX	88	0221-51XX-BK	33
0164-12XX	90	0177-B3XX	108	0191-06XXC	88	0221-51XXL	33
0164-12XXL	90	0181-A1XX	92	0191-11XXTH	89	0221-52XX-BK	33
0164-A1XX	90	0181-A3XX	92	0191-12XXTH	89	0221-52XXL	33
0164-A1XX(T)	90	0183-01XX	64	0191-16XXTH	88	0225-01XX	23
0164-A2XX	90	0183-01XXTXX	64	02		0225-02XX	23
0166-80XX	151	0183-11XX	64	0218-21XX	4	0225-03XX	24
0166-80XXC	151	0183-11XXTXX	64	0218-21XXM0256-11	96	0225-04XX	29
0167-10XX	154	0184-01XX	126	0218-21XXM0256-21	96	0225-05XX	29
0167-50XX	155	0184-11XX	125	0218-21XXM0256-31	96	0225-06XX	24
0167-52XX	155	0184-13XX	125	0218-23XX	4	0225-07XX	24
0167-70XX	156	0184-15XX	125	0218-23XXM0256-13	96	0225-08XX	24
0167-80XX	156	0184-16XX	125	0218-23XXM0256-23	96	0225-09XX	29
0167-80XXC	156	0184-31XX	126	0218-23XXM0256-33	96	0225-0AXX	30
0167-90XX	154	0184-33XX	126	0218-25XX	4	0225-13XX	23
0168-10XX	160	0184-35XX	126	0218-25XXM0256-11	96	0225-13XXL	23
0168-14XX	160	0184-36XX	126	0218-25XXM0256-21	96	0225-14XX	23
0168-15XX	160	0185-12XX	103	0218-25XXM0256-31	96	0225-14XXL	23
0168-20XX	161	0185-13XX	103	0218-27XX	4	0225-16XX	24
0168-24XX	161	0185-31XX	105	0218-27XXM0256-13	96	0225-16XXL	24
0168-32XX	162	0185-32XX	105	0218-27XXM0256-23	96	0225-17XX	24
0168-35XX	162	0186-10XX	147	0218-27XXM0256-33	96	0225-17XXL	24
0168-40XX	161	0186-40XX	154	0218-2GXX	4	0225-23XX	23
0168-42XX	162	0187-A4XX	94	0218-2GXXM0256-13	95	0225-23XXL	23
0168-43XX	162	0188-01XXL	100	0218-2GXXM0256-33	95	0225-24XX	23
0168-45XX	162	0188-01XXSMDWR	100	0221-20XX	31	0225-24XXL	23
0168-50XX	161	0188-02XXL	100	0221-21XX	32	0225-26XX	24
0168-51XX	161	0188-02XXSMDWR	100	0221-22XX-BK	31	0225-26XXL	24
0168-54XX	162	0188-12XXSMDWR	104	0221-22XXL	31	0225-27XX	24
0168-62XX	163	0189-202PL	129	0221-23XXL	31	0225-27XXL	24
0168-63XX	163	0189-202PR	130	0221-24XX	32	0225-33XX	24
0168-65XX	163	0189-203PL	129	0221-25XX-BK	31	0225-33XXL	24
0171-10XX	128	0189-203PR	130	0221-25XXL	31	0225-34XX	24
0171-11XX	128	0189-204PL	129	0221-26XXL	32	0225-34XXL	24
0171-20XX	128	0189-204PR	130	0221-27XX-BK	32	0225-36XX	24
0171-21XX	128	0189-212PL	129	0221-27XXL	32	0225-36XXL	24
0171-60XX	128	0189-212PR	130	0221-28XX	32	0225-37XX	24
0177-03XX	108	0189-213PL	129	0221-29XX	32	0225-37XXL	24
0177-06XX	108	0189-213PR	130	0221-33XX-BK	33	0225-46XX	29
0177-08XX	108	0189-214PL	129	0221-33XXL	33	0225-47XX	29
0177-31XX	107	0189-214PR	130	0221-35XXL	32	0225-56XX	29
0177-33XX	107	0189-25XX	130	0221-36XXL	32	0225-57XX	29
0177-51XX	108	0191-01XX	89	0221-39XX-BK	33	0225-66XX	29
0177-53XX	108	0191-01XXC	89	0221-39XXL	33	0225-67XX	29
0177-76XX	108	0191-02XX	89	0221-41XX-BK	31	0225-76XX	30
0177-78XX	108	0191-02XXC	89	0221-41XXL	31	0225-77XX	30

Part number	Page	Part number	Page	Part number	Page	Part number	Page
0225K1	24	0227-17XXL	28	0256-34XX	4	0288-ADXX	95
0225K2L	24	0227-23XX	27	0256-61XX	5	0290-11XX	11
0225K3	24	0227-23XXL	27	0256-62XX	5	0290-21XX	11
0225K4L	24	0227-24XX	27	0256-63XX	5	0290-31XX	12
0226-01XX	25	0227-24XXL	27	0256-64XX	6	0290-32XX	12
0226-02XX	25	0227-26XX	28	0256-71XX	5	0290-41XXYB	13
0226-03XX	25	0227-26XXL	28	0256-72XX	5	0290-42XXP3YD	13
0226-06XX	26	0227-27XX	28	0256-73XX	5	0290-42XXYD	13
0226-07XX	26	0227-27XXL	28	0256-74XX	6	0290-51XX	13
0226-08XX	26	0227-33XX	27	0256-81XX	5	0290-51XXM	13
0226-13XX	25	0227-33XXL	27	0256-82XX	5	1	
0226-13XXL	25	0227-34XX	27	0256-83XX	5	141R-XXP	101
0226-14XX	25	0227-34XXL	27	0256-84XX	6	141V-XXP	101
0226-14XXL	25	0227-36XX	28	0257-11XX	7	142R-XXP	105
0226-16XX	26	0227-36XXL	28	0257-12XX	7	142V-XXP	105
0226-16XXL	26	0227-37XX	28	0257-14XX	7	2	
0226-17XX	26	0227-37XXL	28	0257-21XX	7	2DC-B01W-XX	158
0226-17XXL	26	0227K1	27	0257-22XX	7	2DD-B01W-XX	158
0226-23XX	25	0227K2L	28	0257-24XX	7	2EEHDR-XXP	77
0226-23XXL	25	0228-21XX	128	0257-31XX	7	2EEHDRM-XXP	77
0226-24XX	25	0228-22XX	128	0257-32XX	7	2EEHDV-XXP	77
0226-24XXL	25	0228-23XX	128	0257-34XX	7	2EEHDVM-XXP	77
0226-26XX	26	0229-A5XXY	98	0257-61XX	8	2EHDA-XXP	75
0226-26XXL	26	0229-A9XXY	98	0257-62XX	8	2EHDAC-XXP	75
0226-27XX	26	0229-F4XX	29	0257-64XX	8	2EHDBR-XXP	77
0226-27XXL	26	0229-F5XX	29	0257-71XX	8	2EHDBRM-XXP	77
0226-33XX	25	0229-F5XXY	98	0257-72XX	8	2EHDBV-XXP	77
0226-33XXL	25	0229-F9XX	29	0257-74XX	8	2EHDBVM-XXP	77
0226-34XX	25	0229-F9XXY	98	0257-81XX	8	2EHDP-XXP	81
0226-34XXL	25	0229-FAXX	30	0257-82XX	8	2EHDPN-XXP	82
0226-36XX	26	0229-M5XXY	98	0257-84XX	8	2EHDR-XXP	76
0226-36XXL	26	0229-M9XXY	98	0258-61XX	9	2EHDR-XXPL	76
0226-37XX	26	0234-20XX-MW	40	0275-11XX	11	2EHDR-XXPLWR	87
0226-37XXL	26	0234-26XX	40	0275-11XXY5	11	2EHDR-XXPWR	87
0227-01XX	27	0234-30XX-MW	40	0275-21XX	11	2EHDRC-XXP	76
0227-02XX	27	0234-36XX	40	0275-31XX	12	2EHDRC-XXPL	76
0227-03XX	27	0254-20XX	40	0275-32XX	12	2EHDRC-XXPLWR	87
0227-04XX	27	0254-30XX	40	0276-21XX	11	2EHDRC-XXPWR	87
0227-06XX	28	0256-11XX	3	0288-1AXX	15	2EHDRG-XXP	75
0227-07XX	28	0256-12XX	3	0288-1DXX	16	2EHDRM-XXP	76
0227-08XX	28	0256-13XX	3	0288-2AXX	95	2EHDRM-XXPL	76
0227-09XX	28	0256-14XX	4	0288-6AXXSMDWR	15	2EHDRM-XXPLWR	87
0227-13XX	27	0256-21XX	3	0288-6AXXLWR	15	2EHDRM-XXPWR	87
0227-13XXL	27	0256-22XX	3	0288-6BXXSMDWR	15	2EHDRR-XXPL	76
0227-14XX	27	0256-23XX	3	0288-6BXXLWR	16	2EHDRRC-XXPL	76
0227-14XXL	27	0256-24XX	4	0288-8AXXSMDWR	16	2EHDRRM-XXPL	76
0227-16XX	28	0256-31XX	3	0288-8BXXSMDWR	16	2EHDV-XXP	76
0227-16XXL	28	0256-32XX	3	0288-9AXXSMDWR	15	2EHDV-XXPL	76
0227-17XX	28	0256-33XX	3	0288-AAXX	95	2EHDV-XXPLWR	87

Part number	Page	Part number	Page	Part number	Page	Part number	Page
2EHDV-XXPWR	87	2ESVK-XXP	36	5EEHDVC-XXP	74	5EHDRRM-XXPLWR	85
2EHDVC-XXP	76	2ESVM-XXP	36	5EEHDVM-XXP	74	5EHDV-XXP	73
2EHDVC-XXPL	76	3		5EH-2PL	129	5EHDV-XXPL	73
2EHDVC-XXPLWR	87	3EHDR-XXP	78	5EH-2PLL	129	5EHDV-XXPLWR	86
2EHDVC-XXPWR	87	3EHDR-XXPWR	87	5EH-2PR	130	5EHDV-XXPWR	86
2EHDVG-XXP	75	3EHDR-XXP	78	5EH-2PRL	130	5EHDVC-XXP	73
2EHDVM-XXP	76	3EHDR-XXPWR	87	5EH-3PL	129	5EHDVC-XXPL	73
2EHDVM-XXPL	76	3EHDRM-XXP	78	5EH-3PLL	129	5EHDVC-XXPLWR	86
2EHDVM-XXPLWR	87	3EHDRM-XXPWR	87	5EH-3PR	130	5EHDVC-XXPWR	86
2EHDVM-XXPWR	87	3EHDV-XXP	78	5EH-3PRL	130	5EHDVG-XXP	74
2ESDA-XXP	55	3EHDV-XXPWR	87	5EH-4PL	129	5EHDVM-XXP	74
2ESDAM-XXP	55	3EHDVC-XXP	78	5EH-4PLL	129	5EHDVM-XXPL	74
2ESDB-XXP	94	3EHDVC-XXPWR	87	5EH-4PR	130	5EHDVM-XXPLWR	86
2ESDBA-XXP	94	3EHDVM-XXP	78	5EH-4PRL	130	5EHDVM-XXPWR	86
2ESDBAM-XXP	94	3EHDVM-XXPWR	87	5EHDBR-XXP	74	5ES-2PL	129
2ESDBM-XXP	94	3ESDPL-XXP	57	5EHDBRM-XXP	74	5ES-2PR	130
2ESDCR-XXP	121	3ESDPLM-XXP	57	5EHDBV-XXP	74	5ES-3PL	129
2ESDCRM-XXP	121	3ESDP-XXP	57	5EHDBVM-XXP	74	5ES-3PR	130
2ESDCV-XXP	121	3ESDPM-XXP	57	5EHDKM-XXP/1.0	81	5ES-4PL	129
2ESDCVM-XXP	121	3ESDS-XXP	46	5EHDKM-XXP/1.2	82	5ES-4PR	130
2ESDF-XXP	53	3ESDSM-XXP	46	5EHDKM-XXP/1.4	82	5ESDA-XXP	53
2ESDFM-XXP	53	3ESDSR-XXP	46	5EHDKM-XXP/1.6	82	5ESDAM-XXP	53
2ESDL-XXP	56	3ESDSRH-XXP	46	5EHDKM-XXP/1.0	81	5ESDF-XXP	52
2ESDPL-XXP	56	3ESDSRHM-XXP	46	5EHDK-XXP/1.0	81	5ESDFM-XXP	52
2ESDPLM-XXP	56	3ESDSRM-XXP	46	5EHDK-XXP/1.2	82	5ESDG-XXP	126
2ESDP-XXP	55	3ESDVH-XXP	58	5EHDK-XXP/1.4	82	5ESDPL-XXP	54
2ESDPM-XXP	55	3ESDVHM-XXP	58	5EHDK-XXP/1.6	82	5ESDPLM-XXP	54
2ESDS-XXP	44	3ESDV-XXP	57	5EHDR-XXP	73	5ESDP-XXP	53
2ESDSM-XXP	44	3ESDVM-XXP	57	5EHDR-XXPL	73	5ESDPM-XXP	53
2ESDSR-XXP	44	3ESNPH-XXP	62	5EHDR-XXPLWR	86	5ESDSM-XXP	43
2ESDSRM-XXP	44	3ESNPHL-XXP	62	5EHDR-XXPWR	86	5ESDSR-XXP	43
2ESDSV-XXP	45	3ESNPHLM-XXP	62	5EHDR-XXP	73	5ESDSRM-XXP	43
2ESDSVK-XXP	45	3ESNPHM-XXP	62	5EHDR-XXPL	73	5ESDS-XXP	43
2ESDSVM-XXP	45	3ESNPL-XXP	61	5EHDR-XXPLWR	86	5ESDTS-XXP	51
2ESDV-XXP	92	3ESNPLM-XXP	61	5EHDR-XXPWR	86	5ESDT-XXP	51
2ESDVBM-XXP	92	3ESNPLS-XXP	61	5EHDRG-XXP	74	5ESDV-XXP	53
2ESDV-XXP	55	3ESNPLSM-XXP	61	5EHDRM-XXP	74	5ESDVM-XXP	53
2ESDVH-XXP	54	3ESNP-XXP	61	5EHDRM-XXPL	74	5ESR-XXP	34
2ESDVM-XXP	55	3ESNPM-XXP	61	5EHDRM-XXPLWR	86	5ESRK-XXP	34
2ESDVNM-XXP	56	3ESNPS-XXP	61	5EHDRM-XXPWR	86	5ESRM-XXP	34
2ESDVS-03P	55	3ESNPSM-XXP	61	5EHDR-XXP	73	5ESV-XXP	34
2ESH-XXP	122	3ESNVH-XXP	62	5EHDR-XXPL	73	5ESVK-XXP	34
2ESHM-XXP	122	3ESNVHM-XXP	62	5EHDR-XXPLWR	85	5ESVM-XXP	34
2ESR-XXP	36	4		5EHDR-XXPWR	85	6	
2ESRK-XXP	36	4DC-B01W-XX	157	5EHDRRC-XXP	73	7	
2ESRM-XXP	36	5		5EHDRRC-XXPL	73	7EHDR-XXP	78
2ESS-XXP	35	5EEHDR-XXP	74	5EHDRRC-XXPLWR	85	7EHDR-XXP	78
2ESSM-XXP	35	5EEHDRM-XXP	74	5EHDRRC-XXPWR	85	7EHDRM-XXP	78
2ESV-XXP	36	5EEHDV-XXP	74	5EHDRRM-XXPL	74	7EHDV-XXP	78

Part number	Page	Part number	Page	Part number	Page	Part number	Page
7EHDVC-XXP	78	DT-123HVR-XXP	118	DT-7C-B18W-XX	150	EC880HV-XXP	64
7EHDVM-XXP	78	DT-123RA-XXP	117	DT-89-B01W-XX	148	EC880HVT-XXP	64
7ES-3PL	131	DT-123RA-XXP3	117	E		ECH116HRS-XXP	65
7ES-3PR	131	DT-123VA-XXP	117	E2HK500V-XXPAM	112	ECH116HRSM-XXP	65
7ESDPL-XXP	57	DT-123VA-XXP3	117	E2HK508V-XXPAM	114	ECH116HVS-XXP	65
7ESDPLM-XXP	57	DT-2300-XXP	117	E2LK508V-XXP	112	ECH116HVSM-XXP	65
7ESDP-XXP	57	DT-2301-XXP	117	E3K381V-XXP	110	ECH116L-XXP	65
7ESDPM-XXP	57	DT-2320-XXP	118	E3K500V-XXP	111	ECH116R-XXP	65
7ESDV-XXP	57	DT-2321-XXP	118	E3K508V-XXP	114	ECH116RM-XXP	65
7ESDVM-XXP	57	DT-25-A02W-XX	145	EC116CV-XXP	124	ECH116V-XXP	65
A		DT-25-B01W-XX	145	EC116CVM-XXP	124	ECH150RM-XXP	66
B		DT-25-B07W-XX	146	EC116V-XXP	65	ECH250R-XXP	68
BST-111-05	127	DT-25-B14W-XX	146	EC116VM-XXP	65	ECH250R-XXPL	68
BST-112-05	127	DT-29-B01W-XX	152	EC150VM-XXP	66	ECH250V-XXP	68
BST-120-05	127	DT-29-B02W-XX	152	EC350CR-XXP	121	ECH250V-XXPL	68
BST-220-05	127	DT-2G-A02W-XX	145	EC350CV-XXP	121	ECH350H-XXP	70
C		DT-2G-B01W-XX	145	EC350F-XXP	50	ECH350R-XXP	69
CPC350-XXP	126	DT-2G-B14W-XX	146	EC350FM-XXP	50	ECH350R-XXPL	69
CSC-01XX	66	DT-31-B01W-XX	146	EC350R-XXP	49	ECH350R-XXPLWR	85
D		DT-35-A02W-XX	146	EC350RL-XXP	49	ECH350R-XXPWR	85
DEG-02P	133	DT-35-B01W-XX	146	EC350RLM-XXP	49	ECH350RD-XXP	69
DEG-04P	133	DT-39-B01W-XX	153	EC350RM-XXP	49	ECH350RG-XXP	70
DEGH-03P	134	DT-39-B02W-XX	153	EC350V-XXP	49	ECH350RJ-XXP	32
DEGH-06P	134	DT-3C-B01W-XX	148	EC350VM-XXP	49	ECH350RJ-XXPL	32
DEGM-03P	133	DT-45-A02W-XX	147	EC381CR-XXP	122	ECH350RM-XXP	32
DEGM-06P	133	DT-45-B01W-XX	147	EC381CV-XXP	122	ECH350RM-XXPL	32
DEGM-12P	133	DT-49-B01W-XX	153	EC381F-XXP	50	ECH350RM-XXPLWR	85
DMEN-S2P	134	DT-49-B02W-XX	153	EC381FM-XXP	50	ECH350RM-XXPWR	85
DMEN-S3P	134	DT-49-C91W-XX	154	EC381L-XXP	51	ECH350RR-XXP	69
DMEN-S4P	134	DT-4C-B01W-XX	147	EC381LM-XXP	51	ECH350RR-XXPL	69
DMEN-T2P	134	DT-4C-B14W-XX	147	EC381R-XXP	49	ECH350RR-XXPLWR	85
DMEN-T3P	134	DT-55-B01W-XX	148	EC381RL-XXP	49	ECH350RR-XXPWR	85
DMEN-T4P	134	DT-55-B14W-XX	148	EC381RLM-XXP	49	ECH350RRM-XXP	69
DMER-10	135	DT-5C-B01W-XX	149	EC381RM-XXP	49	ECH350RRM-XXPL	69
DMER-41	135	DT-5C-B81W-XX	148	EC381V-XXP	49	ECH350RRM-XXPLWR	85
DMES-T2P	134	DT-5C-B84W-XX	148	EC381VK-XXP	51	ECH350RRM-XXPWR	85
DMM-2251-22	132	DT-65-A02W-XX	150	EC381VM-XXP	49	ECH350RT-XXPL	70
DMM-2251-33	132	DT-65-B01W-XX	150	EC508F-XXP	52	ECH350RT-XXPLWR	85
DMM-2252-22	132	DT-65-B14W-XX	150	EC508FM-XXP	52	ECH350V-XXP	69
DMM-2252-33	132	DT-66-B01W-XX	149	EC508V-XXP	52	ECH350V-XXPL	69
DMM-2254-33	132	DT-66-B02W-XX	149	EC508VM-XXP	52	ECH350V-XXPLWR	85
DMUG-22	134	DT-66-B11W-XX	150	EC762CR-XXP	123	ECH350V-XXPWR	85
DMUG-45	134	DT-66-C01W-XX	149	EC762H-XXP	80	ECH350VD-XXP	69
DS-201	165	DT-66-C11W-XX	150	EC762HLNM-XXP	63	ECH350VJ-XXP	32
DS-301	165	DT-69-B01W-XX	154	EC762HV-XXP	63	ECH350VJ-XXPL	32
DS-401	165	DT-69-H53W-XX	155	EC762HVM-XXP	63	ECH350VM-XXP	32
DS-601	165	DT-79-B01W-XX	156	EC762HVM-XXP	63	ECH350VM-XXPL	32
DS-701	165	DT-7C-A02W-XX	150	EC762HVN-XXP	63	ECH350VM-XXPLWR	85
DS-701R	165	DT-7C-B01W-XX	150	EC762V-XXP	80	ECH350VM-XXPWR	85

Part number	Page	Part number	Page	Part number	Page	Part number	Page
ECH350VT-XXPL	70	ECH762V-XXP	79	EEK381V-XXP	110	EPK635VN-XXP	113
ECH350VT-XXPLWR	85	ECH762VM-XXP	79	EEK500V-XXP	111	ESC250L-XXP	41
ECH381A-XXP	72	ECH762VTM-XXP	79	EEK508V-XXP	114	ESC250V-XXP	41
ECH381AM-XXP	72	ECH880HR-XXP	64	EELK508V-XXP	111	ESC350V-XXP	42
ECH381H-XXP	72	ECH880RT-XXP	64	EESK381V-XXP	110	ESC350VK-XXP	42
ECH381R-XXP	71	ECHB250R-XXP	68	EHDK1	66	ESC350VM-XXP	42
ECH381R-XXPL	71	ECHB250V-XXP	68	EHDK1L	66	ESC381V-XXP	42
ECH381R-XXPLWR	86	ECHB350R-XXP	70	EHK2V-XXP	113	ESC381VK-XXP	42
ECH381R-XXPWR	86	ECHB350RM-XXP	70	EHK381V-XXP	110	ESC381VM-XXP	42
ECH381RD-XXP	71	ECHB350V-XXP	70	EHK3V-XXP	115	ESC508V-XXP	44
ECH381RJ-XXP	33	ECHB350VM-XXP	70	EHK500R-XXP	112	ESC508VM-XXP	44
ECH381RJ-XXPL	33	ECHB381R-XXP	72	EHK508V2L-XXP	114	ESDK1	66
ECH381RM-XXP	71	ECHB381RM-XXP	72	EHK508V3L-XXP	114	ESDK2	66
ECH381RM-XXPL	71	ECHB381RRD-XXP	72	EHK5V3L-XXP	111	ESK116R-XXPAM	116
ECH381RM-XXPLWR	86	ECHB381V-XXP	72	EHK5V-XXP	112	ESK116V-XXP	116
ECH381RM-XXPWR	86	ECHB381VM-XXP	72	EHK7V-XXP	113	ESK150V-XXP	115
ECH381RR-XXP	71	ECHK1	66	EK254V-XXP	109	ESK150VM-XXP	115
ECH381RR-XXPL	71	ECHK1L	66	EK350A-XXP	110	ESK175V-XXP	116
ECH381RR-XXPLWR	86	ECHK2	66	EK350V-XXP	109	ESK175VM-XXP	116
ECH381RR-XXPWR	86	ECHP381V-XXP	81	EK350V4L-XXP	110	ESK200VM-XXP	116
ECH381RRM-XXP	71	ECHP762V-XXP	82	EK381A-XXP	110	ESK381R-XXP	110
ECH381RRM-XXPL	71	ECSH116K-XXP	98	EK381V-XXP	109	ESK381V-XXP	109
ECH381RRM-XXPLWR	86	ECSH116MK-XXP	98	EK381V3L-XXP	109	ESK381V4L-XXP	110
ECH381RRM-XXPWR	86	ECSH116M-XXP	98	EK381V4L-XXP	109	ESK508V-XXP	114
ECH381V-XXP	71	ECSH116V-XXP	98	EK500A-XXP	111	ESK508V3L-XXP	113
ECH381V-XXPL	71	ECSH116VM-XXP	124	EK500R-XXP	111	ESK508V4L-XXP	113
ECH381V-XXPLWR	86	ECSH381K-XXP	122	EK500V-XXP	111	ESK635V-XXP	114
ECH381V-XXPWR	86	ECSH381MK-XXP	122	EK500V2L-XXP	112	ESK750V-XXP	114
ECH381VD-XXP	71	ECSH381V-XXP	122	EK500V3L-XXP	112	ESK762V-XXP	116
ECH381VJ-XXP	33	ECSH381VM-XXP	122	EK500V4L-XXP	112	ESKW116V-XXP	116
ECH381VJ-XXPL	33	ECSH762FS-XXP	123	EK508A-XXP	112	F~J	
ECH381VM-XXP	71	ECSH762SS-XXP	123	EK508R-XXP	112	K	
ECH381VM-XXPL	71	ECSH762V-XXP	123	EK508V-XXP	112	KMRF-XXXX	138
ECH381VM-XXPLWR	86	ED130F-XXP	88	EK508V2L-XXP	113	KMRH-K175	138
ECH381VM-XXPWR	86	ED130T-XXP	88	EK508V3L-XXP	113	KMRT-XXXX	138
ECH508R-XXP	75	EDH130-21XX	88	EK508V4L-XXP	113	L~O	
ECH508RM-XXP	75	EDH130-21XXTHT	88	EK750V-XXP	114	P	
ECH508V-XXP	75	EDH130F-XX/12.6	88	EK950HVN-XXP	115	P-610	166
ECH508VM-XXP	75	EDH130F-XXTH126	88	EK950V-XXP	115	P-620	166
ECH762HR-XXP	79	EDH130S-20XXTHT	89	EKB635V-XXP	114	P-810	166
ECH762HRM-XXP	79	EECH350R-XXP	70	EKB762V-XXP	116	P-820	166
ECH762HRR-XXP	79	EECH350RM-XXP	70	ELK500B-XXP	110	P-830	166
ECH762R-XXP	79	EECH350V-XXP	70	ELK500S-XXP	110	P-831	166
ECH762RE-XXP	80	EECH350VM-XXP	70	ELK500V-XXP	110	P-840	166
ECH762RM-XXP	79	EECH381R-XXP	72	ELK508S-XXP	112	P-850	165
ECH762RR-XXP	79	EECH381RM-XXP	72	ELK508V-XXP	111	P-851	165
ECH762RRE-XXP	80	EECH381V-XXP	72	ELK508V3L-XXP	111	P-860	165
ECH762RRM-XXP	79	EECH381VM-XXP	72	EPK116VN-XXP	115	P-861	165
ECH762RTM-XXP	79	EEHK2V-XXP	113	EPK116VS-XXP	115	P-871	165

Part number	Page	Part number	Page	Part number	Page	Part number	Page
P-872	165	RYPSM-05F	138				
PDS-10-XX	118	S					
PDS-10A-XX	118	S000001100-F	166				
PDS-10S-XX	118	S000001200-F	166				
PPAC-10SS	141	S000004700-F	166				
PPAC-10SSG	141	S000008400-F	166				
PPAC-16	140	SDH-002	38				
PPAC-16AS	140	SDH-003	38				
PPAC-16SS	141	T ~ V					
PPAC-16SSG	141	W					
PPAC-25	140	W3K500-XXP	120				
PPAC-25AS	140	W3K508-XXP	120				
PPAC-25SS	142	W4K500-XXP	120				
PPAC-4SS	141	W4K508-XXP	120				
PPAC-4SSG	141	WKA250A-XXP	119				
PPAC-50	140	WKA254A-XXP	120				
PPAC-50AS	140	WKA500-XXP	119				
PPAC-95	141	WKA500-XXPL	119				
PPAC-95MAS	141	WKA508-XXP	119				
PPACN-10	139	WKA50B-XXP	119				
PPACN-10AS	139	WKK500-XXP	120				
PPACN-10Z	139	WKK508-XXP	120				
PPACN-4	139	WKV250A-XXP	120				
PPACNV-4	139	WKV254A-XXP	120				
PPACV-16	140	WSKA100-XXP	120				
PPACV-16AS	140	WSKA500S-XXP	119				
Q		WSKA750S-XXP	120				
QT-8001	167						
QT-8002	167						
QT-8003	167						
QT-8004	167						
QT-8005	167						
QT-8006	167						
QT-8007	167						
QT-8008	167						
QT-8009	167						
QT-9001	167						
QT-9002	167						
QT-9003	167						
QT-9004	167						
QT-9005	167						
QT-9006	167						
QT-9007	167						
QT-9008	167						
QT-9009	167						
R							
RYPS-05N	138						
RYPS-08N	138						
RYPSA-04N	138						

